

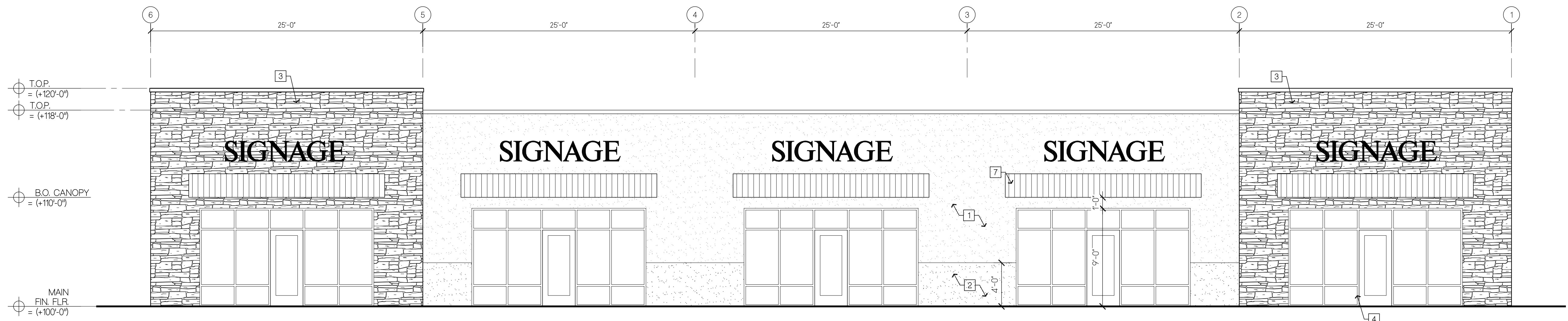
BUCHER
DESIGN STUDIO
architecture • planning

12325 Oracle Blvd, Suite 111
Colorado Springs, CO 80921
(719) 484-0480

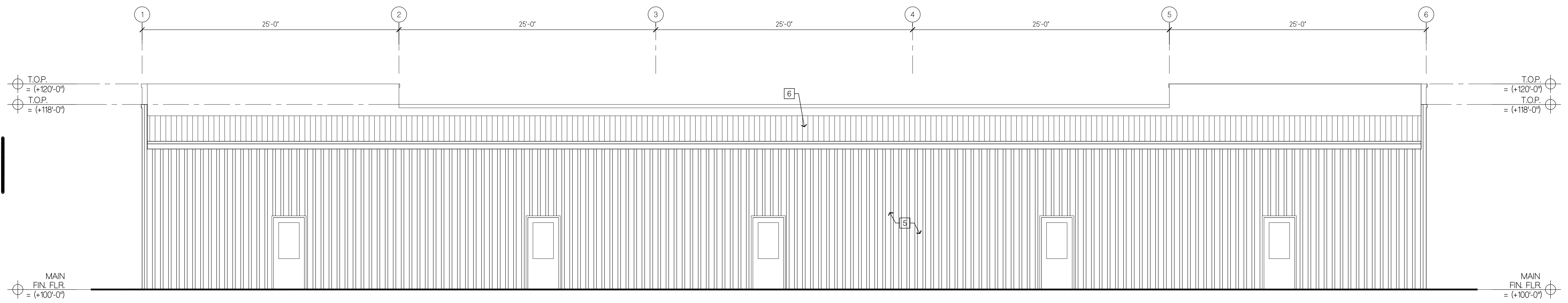
Brian K. Bucher, AIA
Architect
CO license no. C-4889
CA license no. C 23506

KEY NOTES

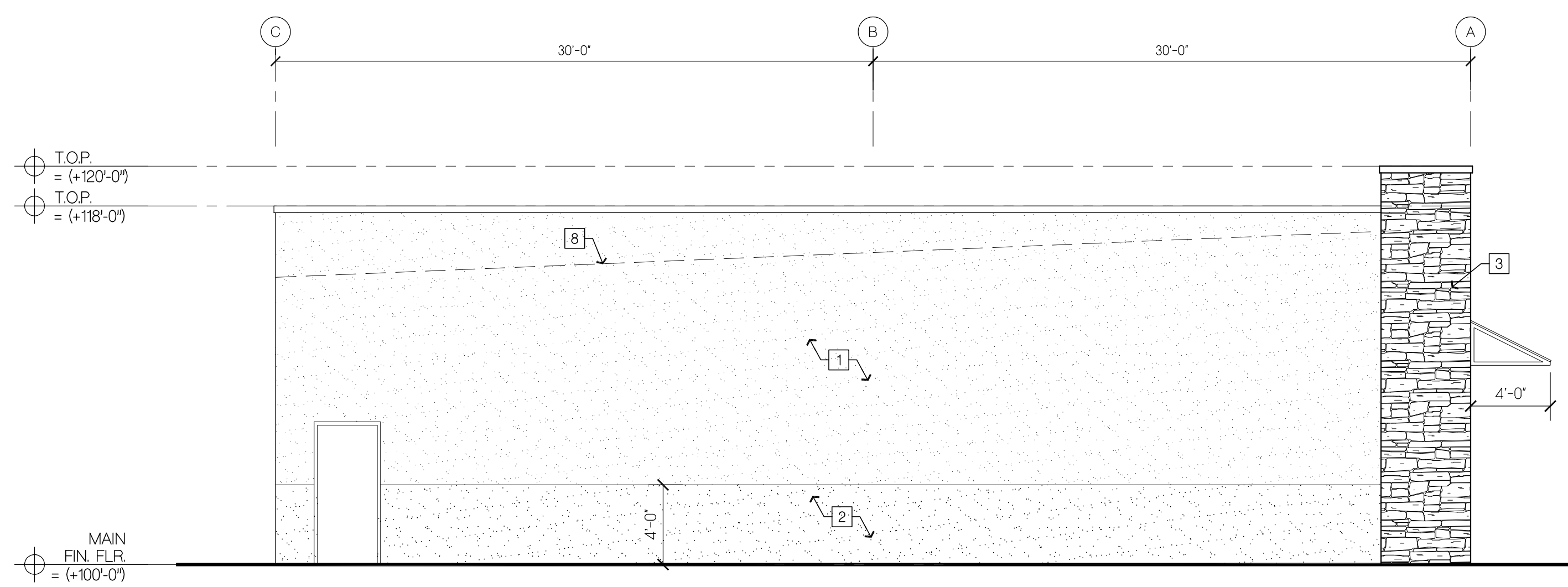
- 1 STUCCO PANEL SYSTEM PER MFG SPECS, COLOR = LIGHT
- 2 STUCCO PANEL SYSTEM PER MFG SPECS, COLOR = MEDIUM
- 3 STONE VENEER PANEL SYSTEM PER MFG SPECS.
- 4 ALUMINUM STOREFRONT SYSTEM
- 5 METAL WALL PANEL SYSTEM PER MFG SPECS
- 6 METAL ROOFING SYSTEM PER MFG. SPECS
- 7 STANDING SEAM MTL. ROOFING CANOPY SYSTEM OVER EXPOSED 2" TUBE STEEL STRUCTURE
- 8 EXTENT OF ROOF LINE BEYOND



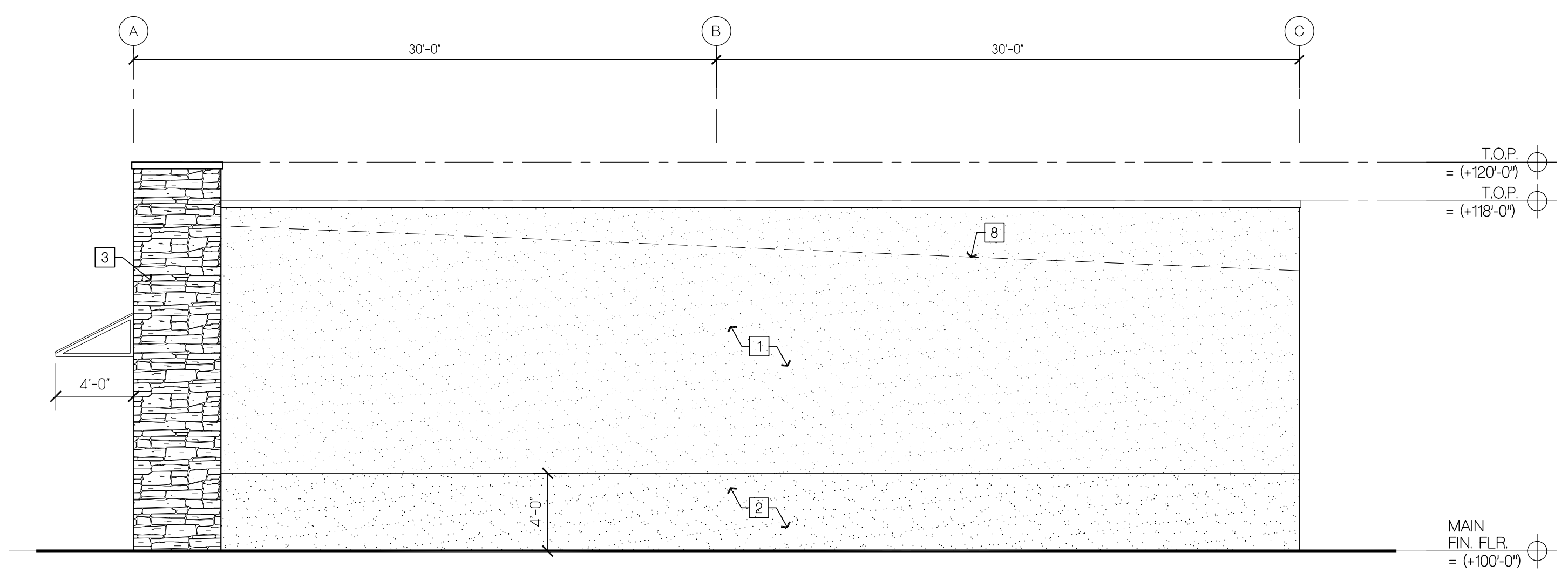
NORTH ELEVATION
SCALE: 3/16" = 1'-0"



SOUTH ELEVATION
SCALE: 3/16" = 1'-0"



EAST ELEVATION
SCALE: 3/16" = 1'-0"



WEST ELEVATION
SCALE: 3/16" = 1'-0"

A PROPOSED
CORE & SHELL
FOR

JESSE &
SHERRIE
TIX

MALTESE POINT
PEYTON, CO

Sheet Title:
**EXTERIOR
ELEVATIONS**

Drawing Status:
**DEVELOPMENT
PLAN**
NOT FOR CONSTRUCTION

Revisions:

No.	Description	By	Date

All ideas, designs, arrangements and plans indicated or represented by this drawing are owned by, and the property of BUCHER DESIGN STUDIO and were created, evolved and developed for use on, and in conjunction with, the specified project. None of such ideas, designs, arrangements or plans shall be used by, or disclosed to any person, firm or corporation for any purpose whatsoever without the written permission of BUCHER DESIGN STUDIO.

Date: 03/10/20
Drawn by:
Checked by:
Scale: AS NOTED
Job No.:

Sheet No.:
7
Of 7