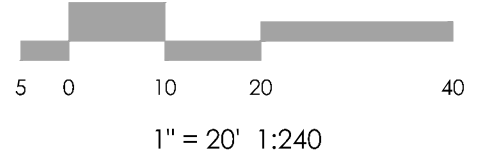
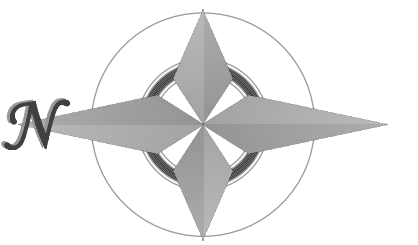
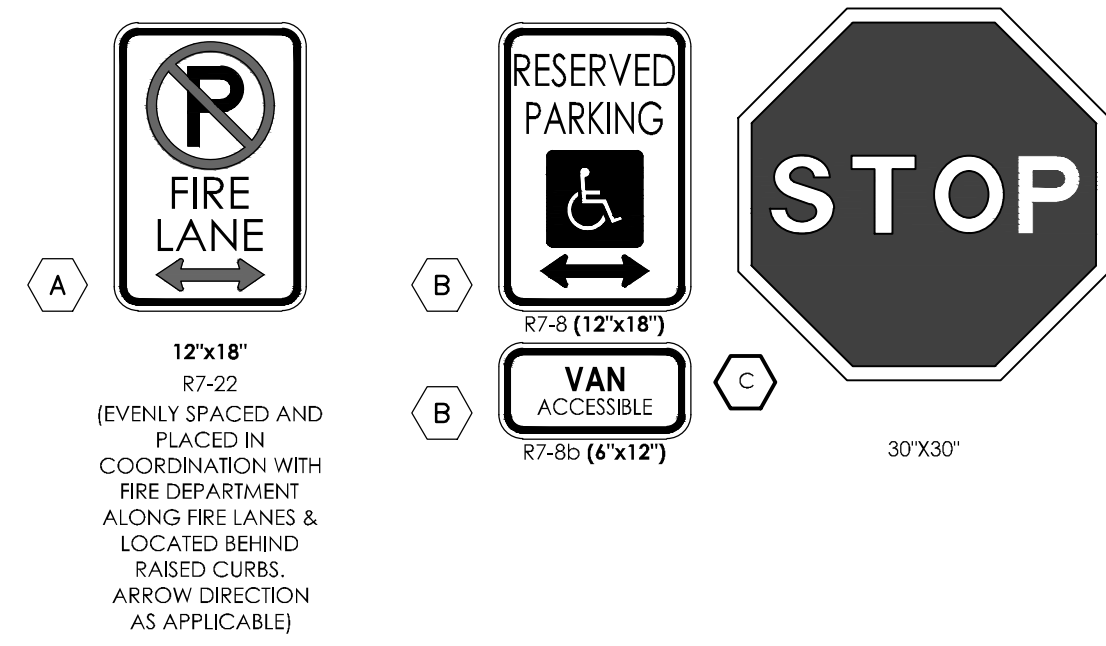


VICINITY MAP
NOT TO SCALE

BENCHMARK
THE EXISTING TOPOGRAPHY SHOWN ON THIS PLAN WAS PREPARED BY MVE INC. USING DATA PROVIDED BY POLARIS SURVEYING INC. ELEVATIONS SHOWN ARE RELATIVE TO THE COLORADO SPRINGS UTILITIES CONTROL NETWORK (FIMS DATUM/NAVD92).

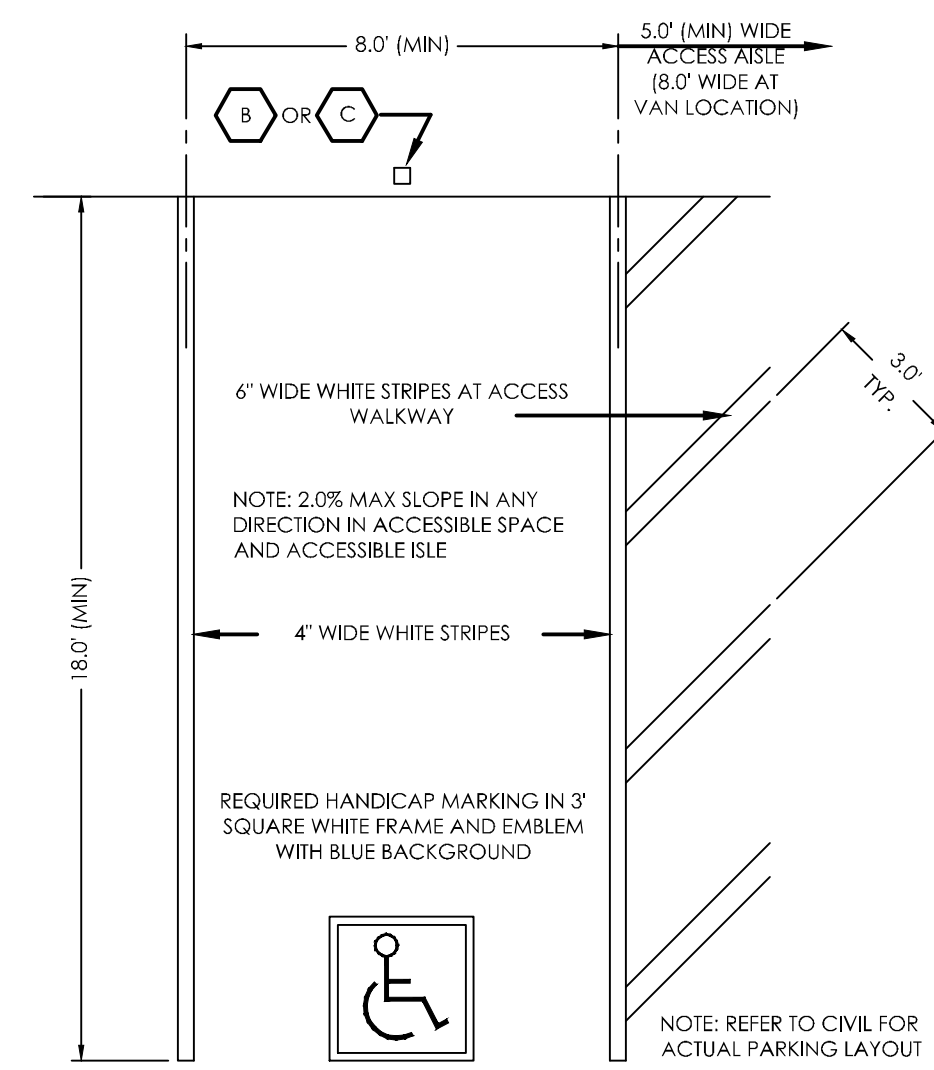


L=84.91'
Δ=2°53'45"
R=1680.00'
CB=N80° 50' 41\"/>

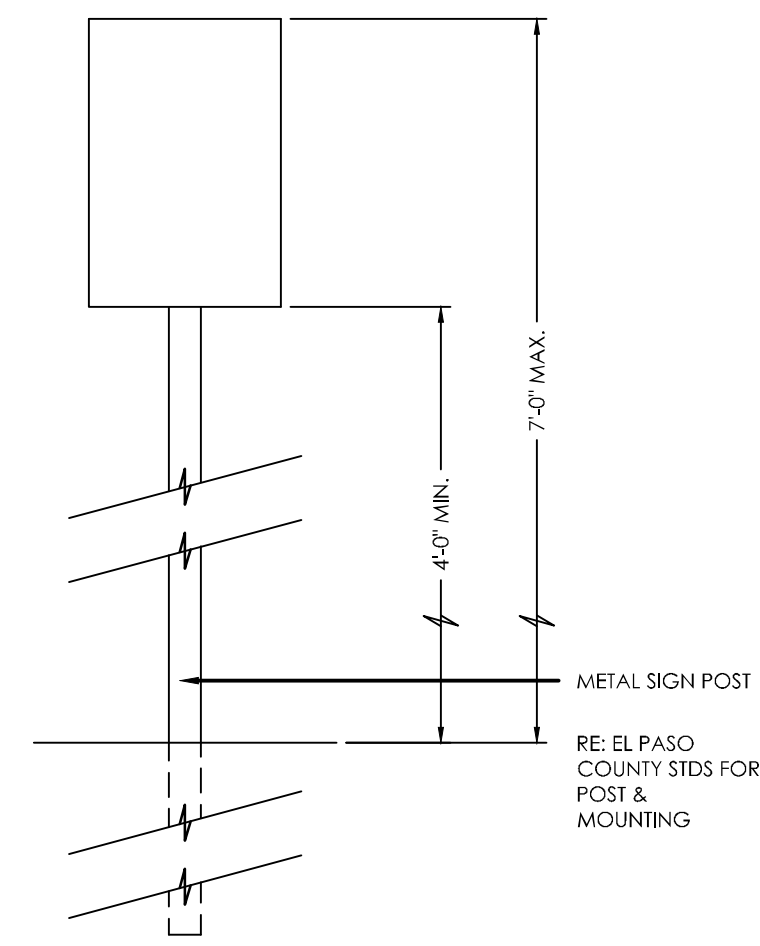


1. TYPOGRAPHY TO BE HELVETICA MEDIUM
2. ALL PRIMARY SIGNS TO BE MOUNTED ON METAL SIGN POST; 7'-0" ABOVE FINISH GRADE TO BOTTOM OF SIGN-TYP. ADDITIONAL PLACARD SIGNS SHALL BE MOUNTED AT LEAST 6'-0" ABOVE FINISH GRADE TO BOTTOM OF SIGN-TYP.
3. MOUNT HANDICAP SIGNAGE ON BUILDING.
4. FIRE LANE MARKING SHALL BE PROVIDED AS SHOWN. EITHER SIGNAGE OR STRIPING WILL BE PROVIDED IN LOCATIONS SHOWN ON PLAN. FIRE LANE MARKING REQUIREMENTS BY COLORADO SPRINGS FIRE DEPARTMENT DIVISION OF THE FIRE MARSHALL AS REVISED JULY 2016 WILL BE A FOLLOWED FOR MATERIALS AND INSTALLATION OF MARKINGS.

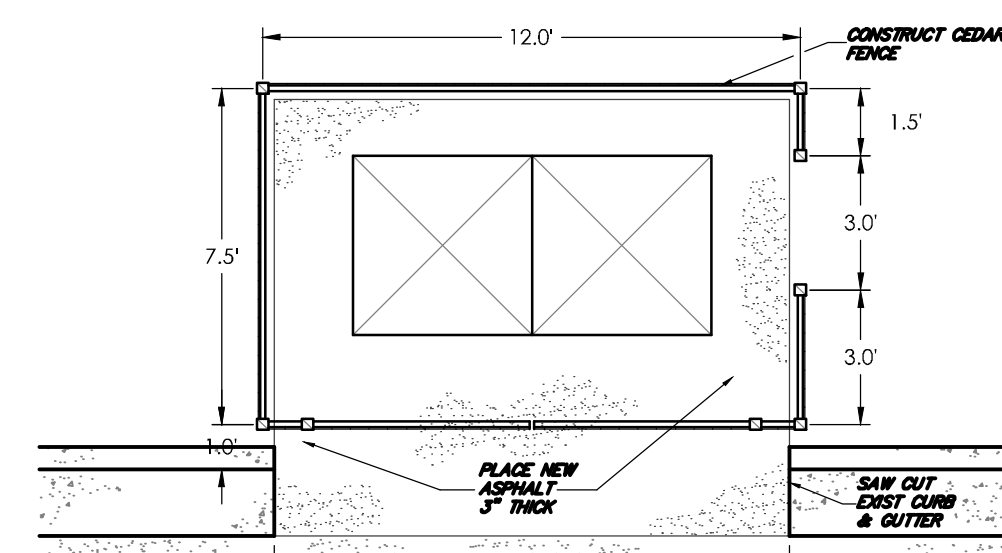
SITE SIGNAGE LEGEND
SCALE: 1"=1'-0"



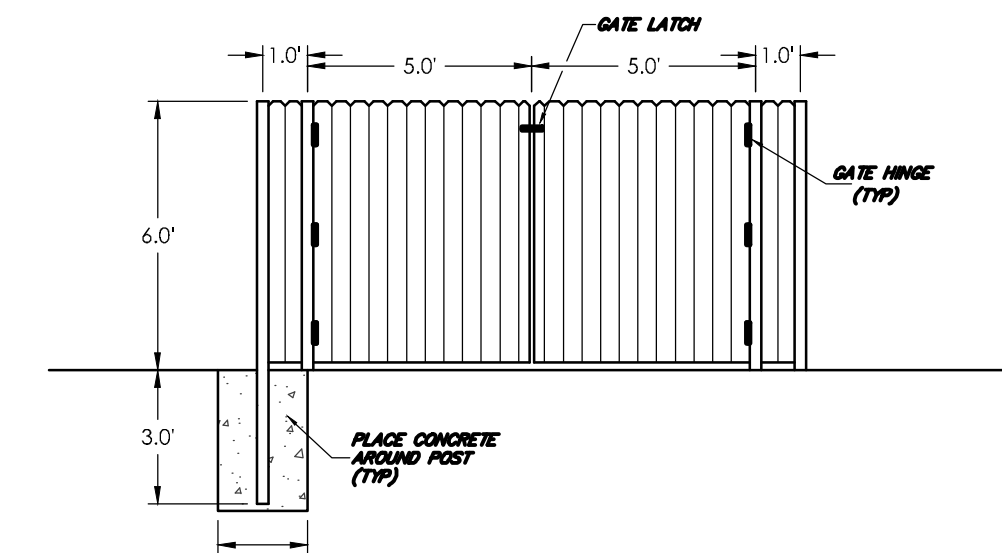
TYPICAL HANDICAP PARKING SPACE
SCALE 1"=4'-0"



TYPICAL SIGN POST
N.T.S.

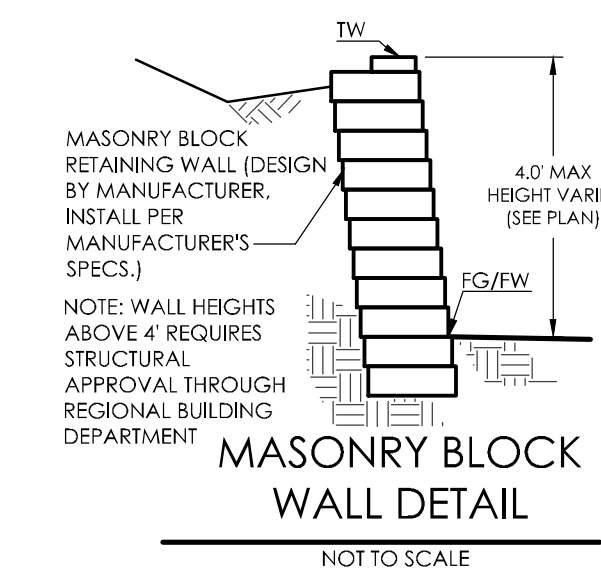


PLAN VIEW

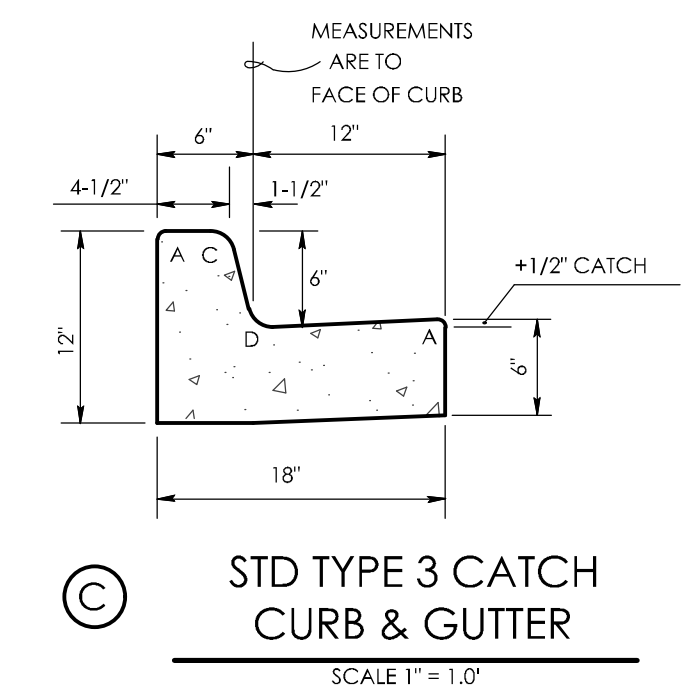


FRONT VIEW

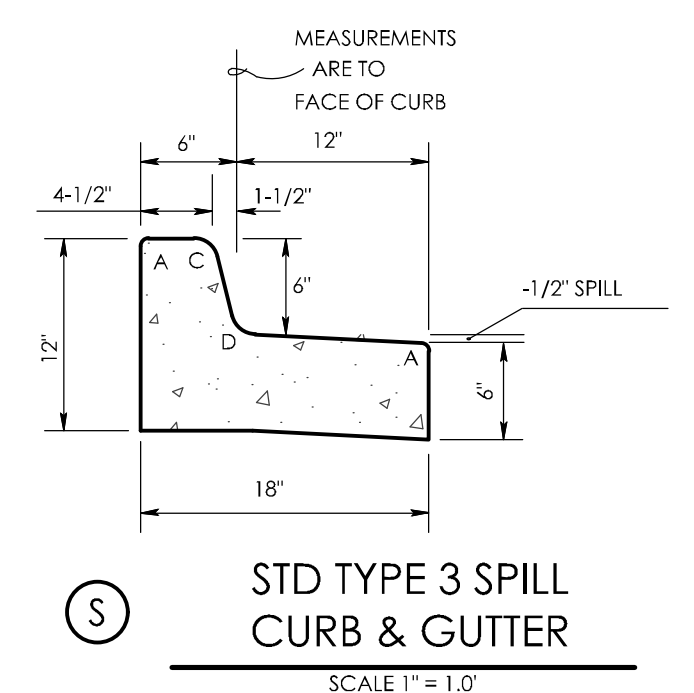
DUMPSTER ENCLOSURE DETAIL
SCALE 1"=3'



MASONRY BLOCK WALL DETAIL
NOT TO SCALE



STD TYPE 3 CATCH CURB & GUTTER
SCALE 1"=1'-0"



STD TYPE 3 SPILL CURB & GUTTER
SCALE 1"=1'-0"

REVISIONS

DESIGNED BY _____
DRAWN BY _____
CHECKED BY _____
AS-BUILTS BY _____
CHECKED BY _____

SECURITY FIRE STATION NO. 4

APPROVAL OF LOCATION SITE PLAN

MVE PROJECT 61134
MVE DRAWING LOC-SP

NOVEMBER 10, 2020
SHEET 1 OF 1

