



89975 Prairie Rd.  
Eugene, OR 97402  
541.485.5546 | esesigns.com

SUMMARY DRAWING:  
**37012**

CLIENT:  
Dutch Bros - CO0907  
5810 Omaha Blvd.  
Colorado Springs, CO

DATE OF SHOP DRAWING:  
**10/31/23**

PROD. DETAILS: CH

LEAD DESIGN: CH

SALES: NJ

REVISIONS:  
1.29.24 Updated site plan.  
1.30.24 Moved address  
from West.

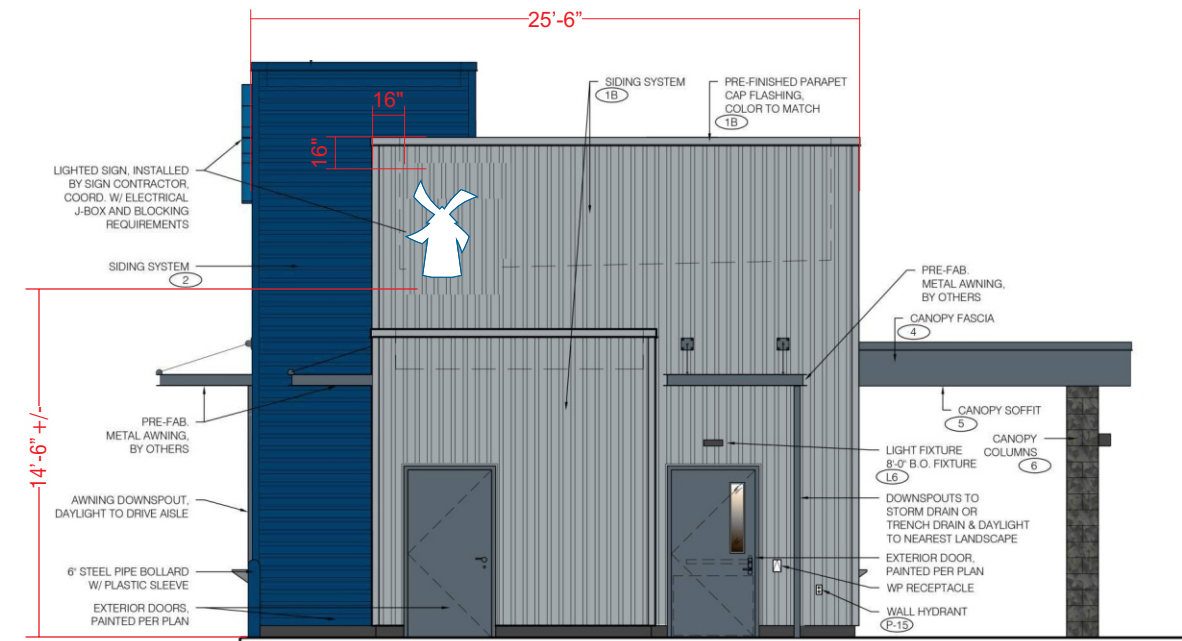
## SUMMARY - BUILDING SIGNS & MENUS

Please provide a table for each sign type to go over allowed sq ft vs what is provided



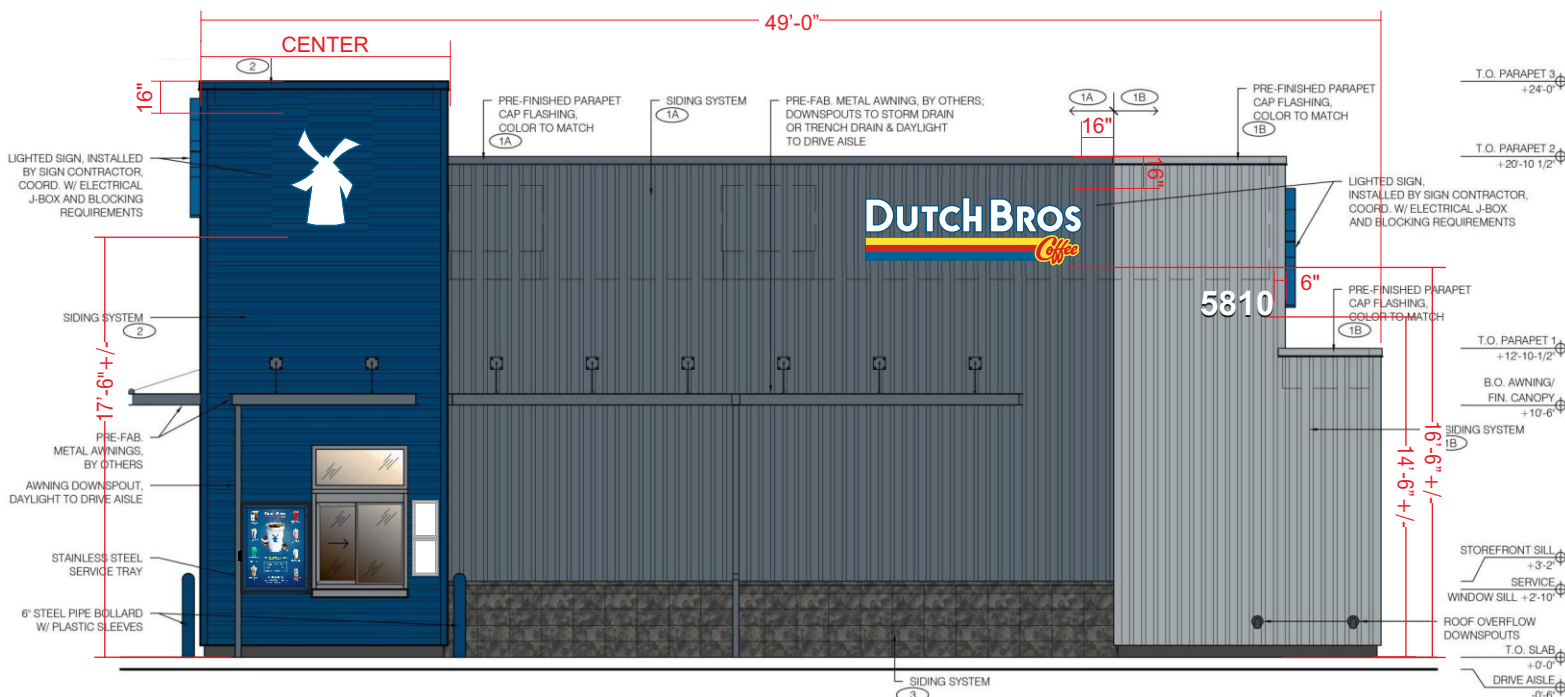
NORTH ELEVATION  
SCALE: 1/8"=1'-0"

DBCL9 @ 25.5 SF



EAST ELEVATION  
SCALE: 1/8"=1'-0"

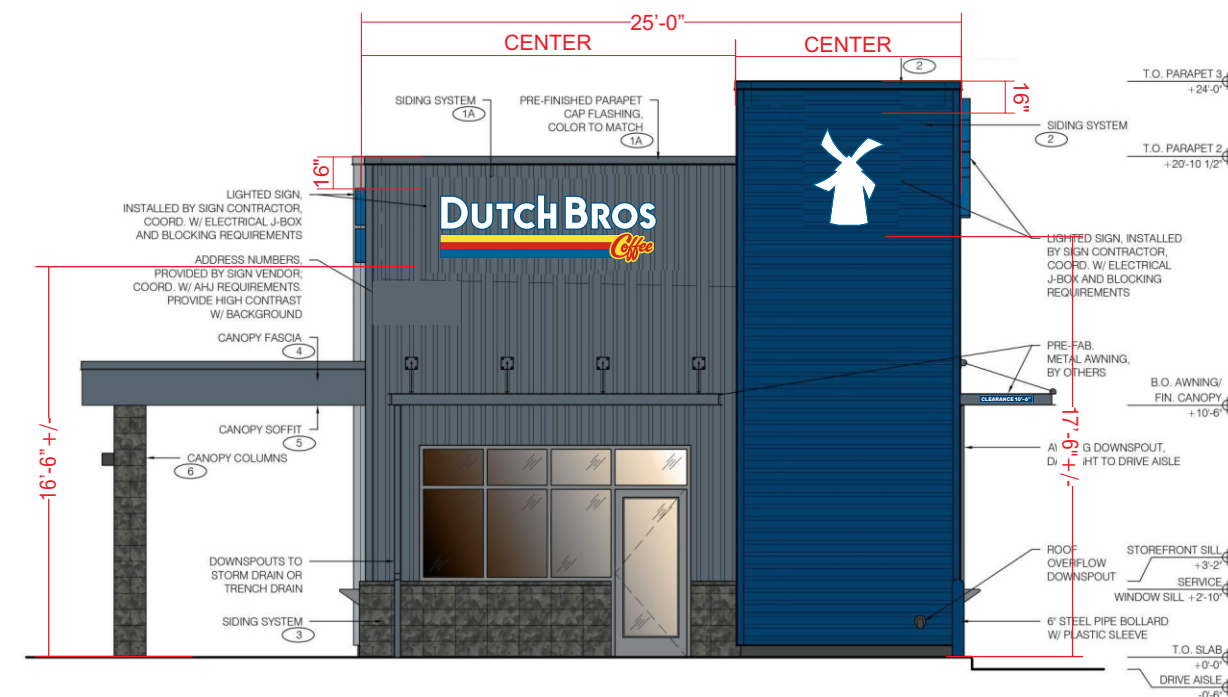
DBW11 @ 12.6 SF



SOUTH ELEVATION  
SCALE: 1/8"=1'-0"

DBW11 @ 12.6 SF

DBCL9 @ 25.5 SF



WEST ELEVATION  
SCALE: 1/8"=1'-0"

DBCL9 @ 25.5 SF

DBW11 @ 12.6 SF





SCOPE OF WORK: MANUFACTURE & INSTALL (1) D/F ILLUMINATED MONUMENT SIGN



89975 Prairie Rd.  
Eugene, OR 97402  
541.485.5546 | esasigns.com

SHOP DRAWING #:  
**37012A**

CLIENT:  
Dutch Bros - C00907  
5810 Omaha Blvd.  
Colorado Springs, CO

DATE OF SHOP DRAWING:  
**10/31/23**

PROD. DETAILS: CH

LEAD DESIGN: CH

SALES: NJ

REVISIONS:

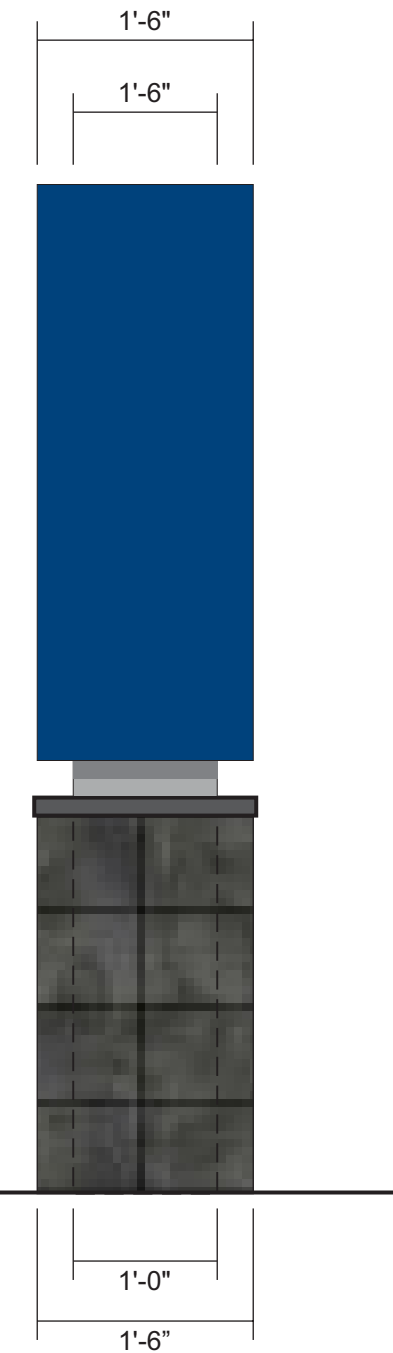
COLOR CODE

- 230-015 YELLOW PSV
- 230-33 RED PSV
- 230-127 INTENSE BLUE PSV
- WHITE
- DB LIGHT GREY (PMS 429)
- DB CUSTOM DARK BLUE

FRONT VIEW  
SCALE: 3/4"=1'-0"



SIDE VIEW  
SCALE: 3/4"=1'-0"



FABRICATED ALUMINUM CABINET PAINTED DB CUSTOM DARK BLUE.  
REVEAL PAINTED DB CUSTOM LIGHT GREY.  
BACKED-UP WHITE ACRYLIC LETTERS.  
1ST SURFACE 230-015 YELLOW, 230-33 RED, & 230-127 INTENSE BLUE PSV.  
WHITE LED ILLUMINATION.  
FABRICATED ALUMINUM SKIRT WITH MASONRY BOARD BY ES&A.  
STONE VENEER & CAP BY G.C.

ATTACHMENT DETAIL

SCALE: 3/4"=1'-0"



89975 Prairie Rd.  
Eugene, OR 97402  
541.485.5546 | esasigns.com

SHOP DRAWING #:  
**37012A**

CLIENT:  
Dutch Bros - CO0907  
5810 Omaha Blvd.  
Colorado Springs, CO

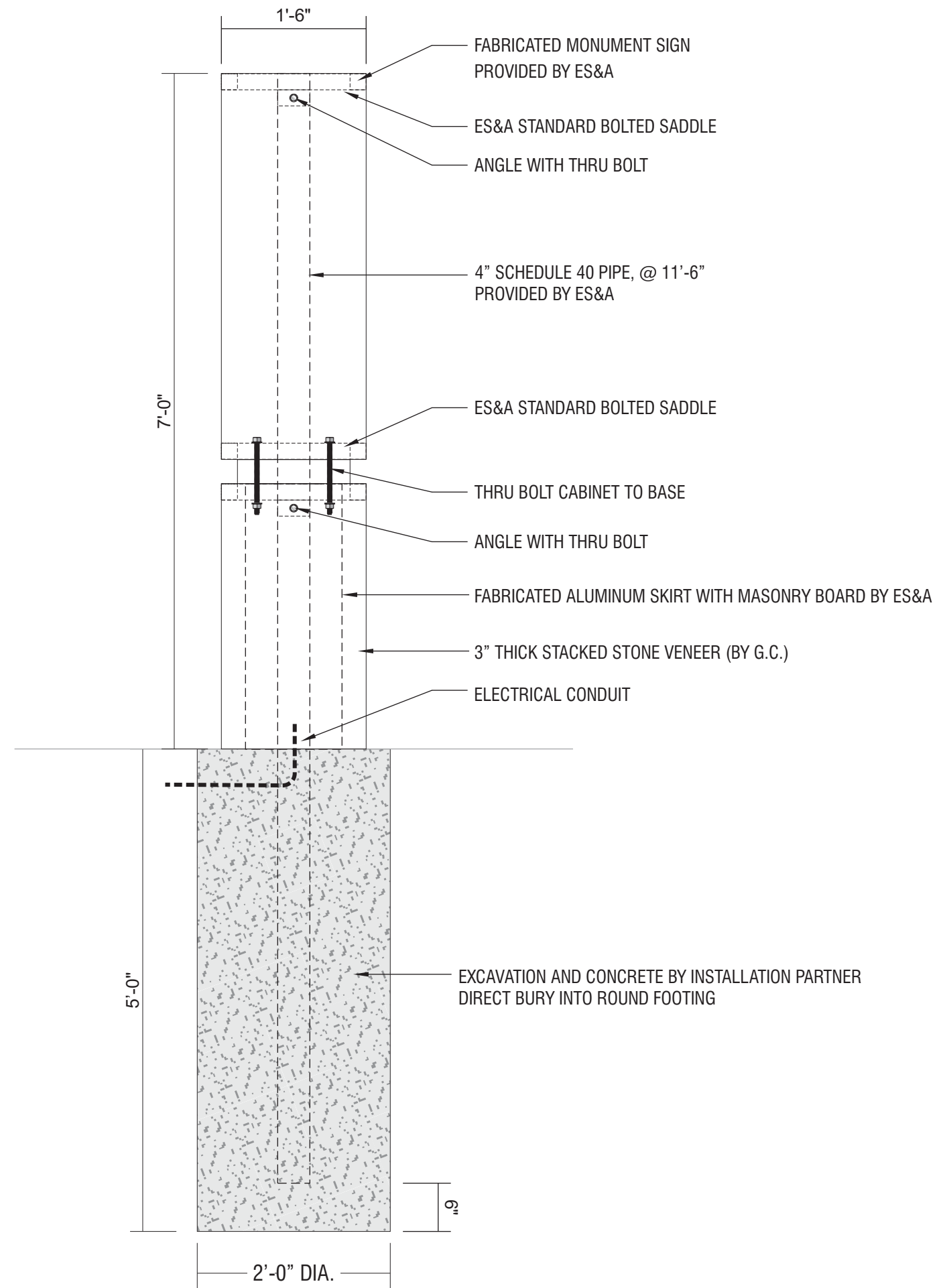
DATE OF SHOP DRAWING:  
**10/31/23**

PROD. DETAILS: CH

LEAD DESIGN: CH

SALES: NJ

REVISIONS:





SCOPE OF WORK: MANUFACTURE & INSTALL (3) SETS OF ILLUMINATED CHANNEL LETTERS WITH REMOTE RACEWAYS



89975 Prairie Rd.  
Eugene, OR 97402  
541.485.5546 | esasigns.com

SHOP DRAWING #:  
**37012B**

CLIENT:  
Dutch Bros - C00907  
5810 Omaha Blvd.  
Colorado Springs, CO

DATE OF SHOP DRAWING:  
**10/31/23**

PROD. DETAILS: CH

LEAD DESIGN: CH

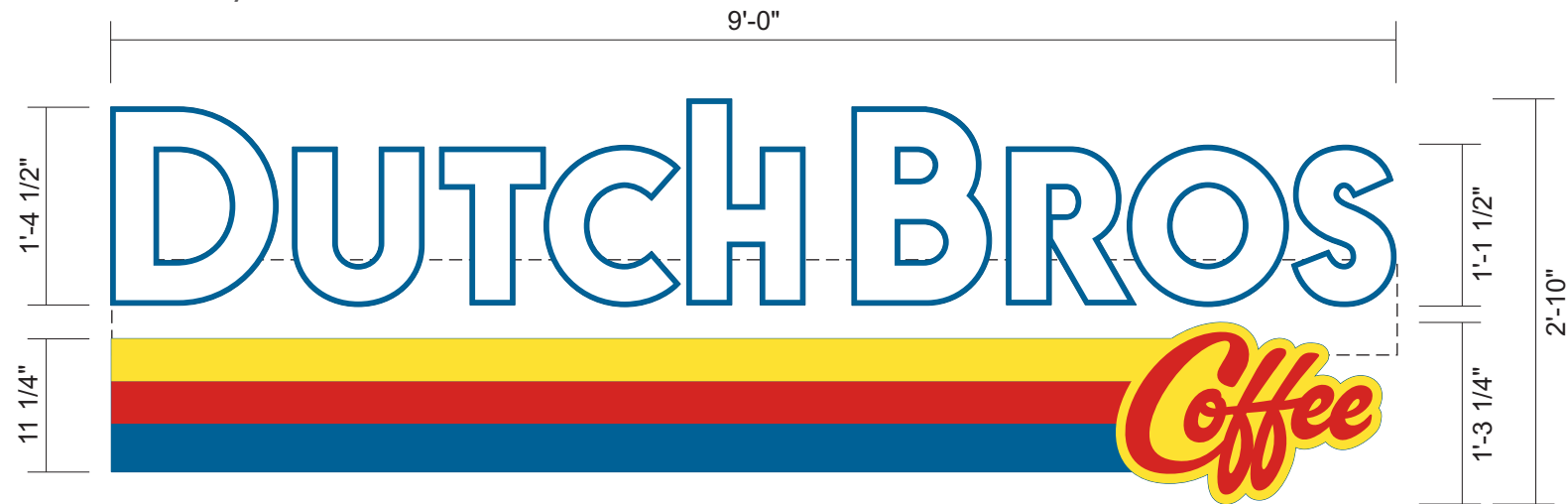
SALES: NJ

REVISIONS:

COLOR CODE

- 230-015 YELLOW PSV
- 230-33 RED PSV
- 230-127 INTENSE BLUE
- WHITE ACRYLIC

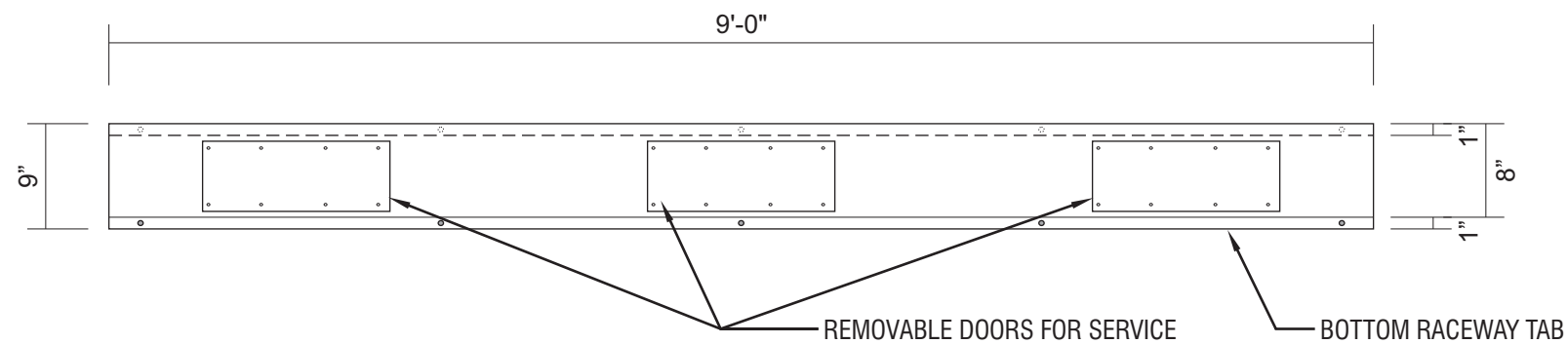
DBCL9  
SCALE: 3/4"=1'-0"



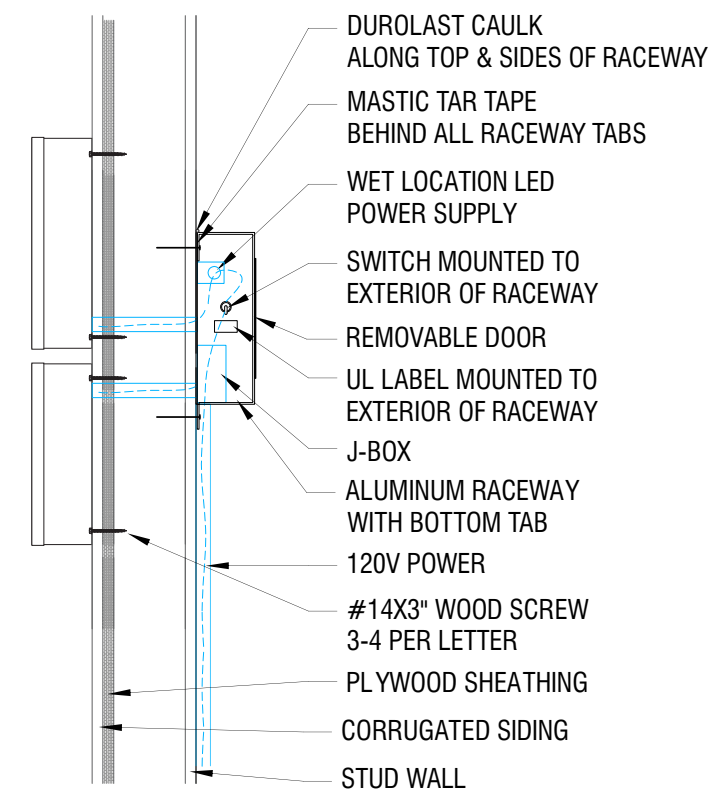
SIDE VIEW



FABRICATED REMOTE RACEWAY  
.040 PRE-COAT WHITE ALUMINUM



ATTACHMENT DETAIL  
CHANNEL LETTERS WITH REMOTE RACEWAY



INTERNALLY ILLUMINATED FACE-LIT FLUSH MOUNTED CHANNEL LETTERS  
5" DEEP CHANNEL LETTERS.  
RETURNS & TRIM CAP PAINTED TO MATCH PANTONE 7691 C "INTENSE BLUE".  
WHITE ACRYLIC FACES.  
230-127 INTENSE BLUE PSV, 230-015 YELLOW PSV, 230-33 RED PSV.  
LED ILLUMINATION.  
FLUSH MOUNTED CHANNEL LETTERS WITH REMOTE MOUNTED RACEWAY.  
RACEWAY SHALL HAVE A CAULKING APPLIED ALONG THE TOP AND SIDES.  
ALL HOLE PENETRATIONS WILL BE SEALED WITH CAULKING.



89975 Prairie Rd.  
Eugene, OR 97402  
541.485.5546 | esasigns.com

SHOP DRAWING #:  
**37012C**

CLIENT:  
Dutch Bros - C00907  
5810 Omaha Blvd.  
Colorado Springs, CO

DATE OF SHOP DRAWING:  
**10/31/23**

PROD. DETAILS: CH

LEAD DESIGN: CH

SALES: NJ

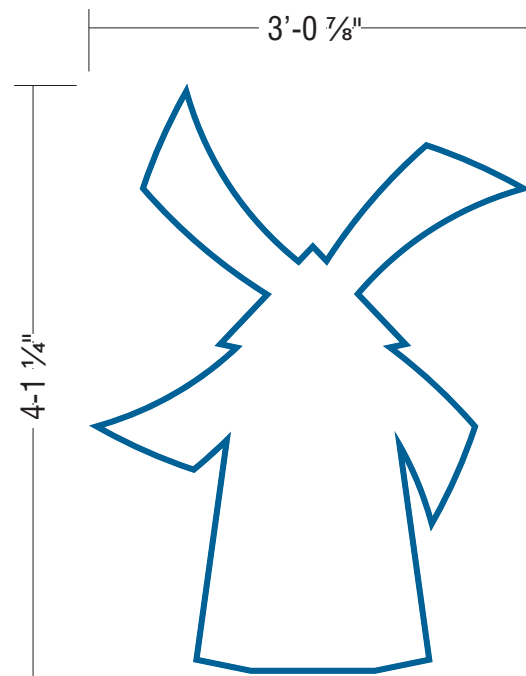
REVISIONS:

COLOR CODE

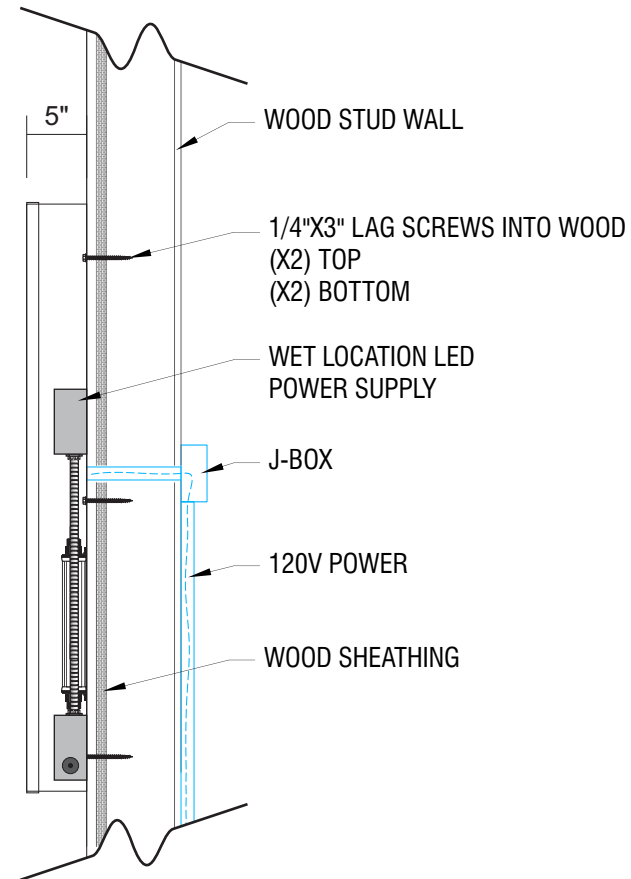
 230-127 INTENSE BLUE

 WHITE

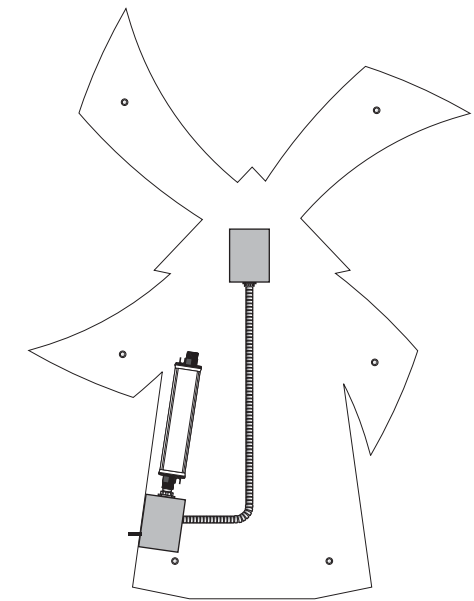
DBW11  
SCALE: 3/4"=1'-0"



ATTACHMENT DETAIL  
SECTION VIEW



CHANNEL LOGO  
SELF CONTAINED



INTERNALLY ILLUMINATED FACE-LIT FLUSH MOUNTED CHANNEL WRAP LOGO  
5" DEEP CHANNEL WRAP.  
RETURNS & TRIM CAP PAINTED TO MATCH PANTONE 7691 C "INTENSE BLUE".  
WHITE ACRYLIC FACE.  
230-127 INTENSE BLUE PSV OUTLINE.  
LED ILLUMINATION.  
FLUSH MOUNTED SELF CONTAINED INSTALLATION.

SCOPE OF WORK: MANUFACTURE & INSTALL (4) SNAP FRAMES



89975 Prairie Rd.  
Eugene, OR 97402  
541.485.5546 | esasigns.com

SHOP DRAWING #:  
**37012D**

CLIENT:  
Dutch Bros - CO0907  
5810 Omaha Blvd.  
Colorado Springs, CO

DATE OF SHOP DRAWING:  
**10/31/23**

PROD. DETAILS: CH

LEAD DESIGN: CH

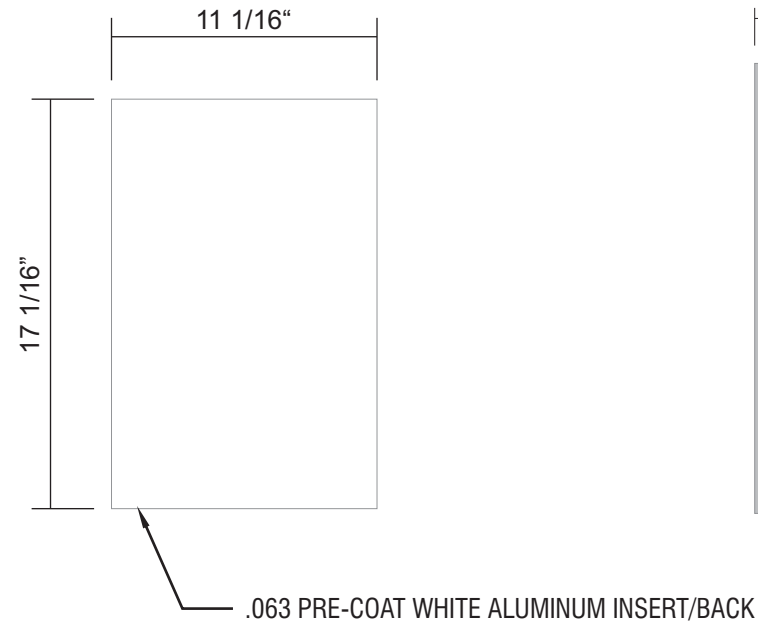
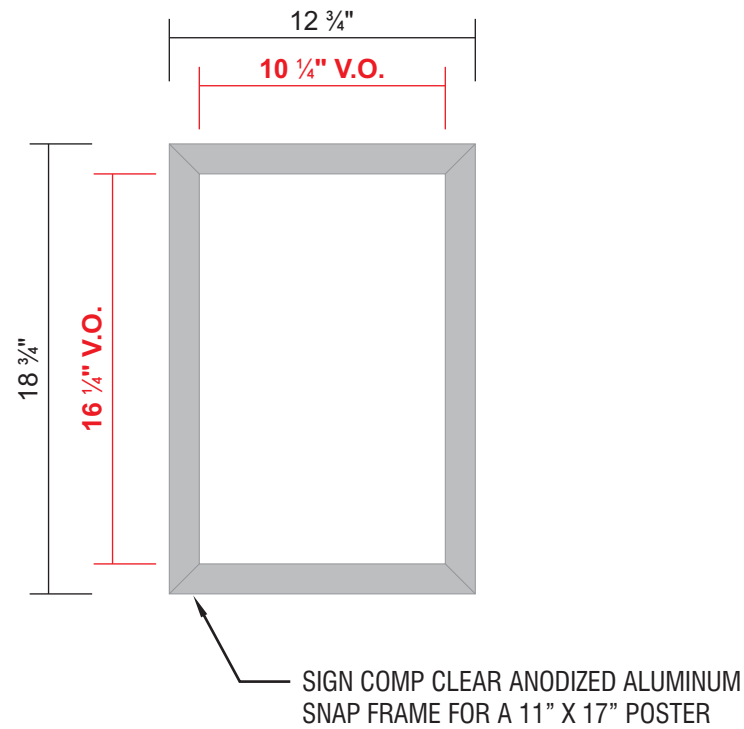
SALES: NJ

REVISIONS:

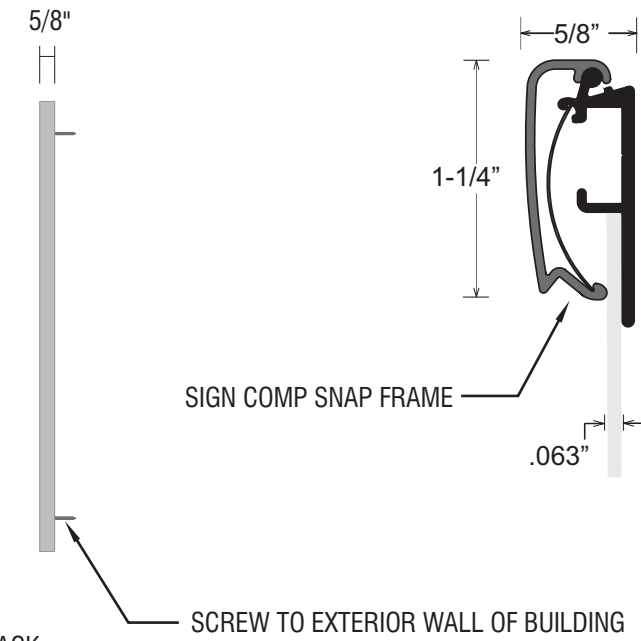
COLOR CODE

 CLEAR ANODIZED ALUMINUM

LAYOUT  
SCALE: 1 1/2"=1'-0"



DETAIL:  
FULL SCALE

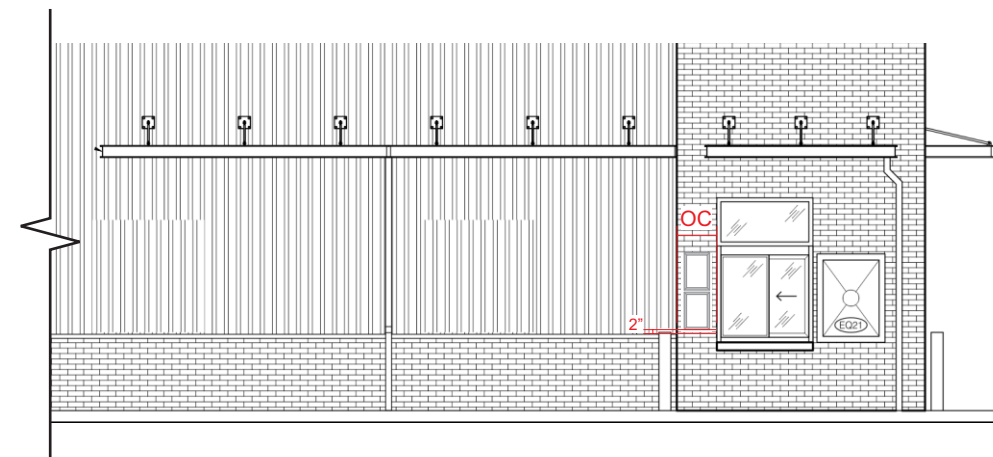


ELEVATION:  
WALK-UP WINDOW  
SCALE: 1/8"=1'-0"



(UNLESS OTHERWISE DIRECTED)  
CENTERED BETWEEN MULLIONS 2" ABOVE STONE CAP  
1" VERTICAL GAP BETWEEN SNAP FRAMES

ELEVATION:  
DRIVE-THRU WINDOW  
SCALE: 1/8"=1'-0"



(UNLESS OTHERWISE DIRECTED)  
CENTERED BETWEEN MULLIONS 2" ABOVE STONE CAP  
1" VERTICAL GAP BETWEEN SNAP FRAMES



SCOPE OF WORK: MANUFACTURE & INSTALL (2) SNAP FRAMES



89975 Prairie Rd.  
Eugene, OR 97402  
541.485.5546 | esasigns.com

SHOP DRAWING #:  
**37012E**

CLIENT:  
Dutch Bros - CO0907  
5810 Omaha Blvd.  
Colorado Springs, CO

DATE OF SHOP DRAWING:  
**10/31/23**

PROD. DETAILS: CH

LEAD DESIGN: CH

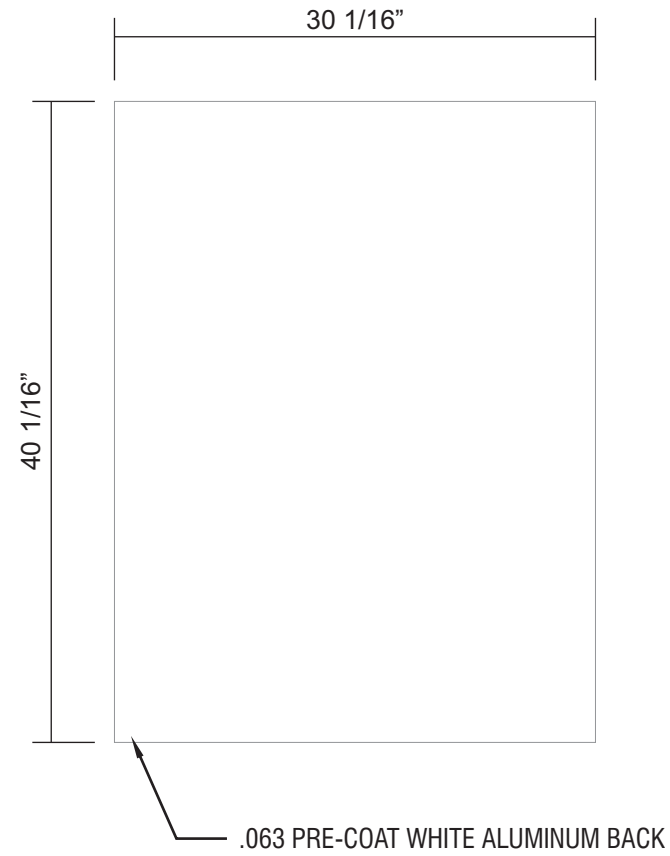
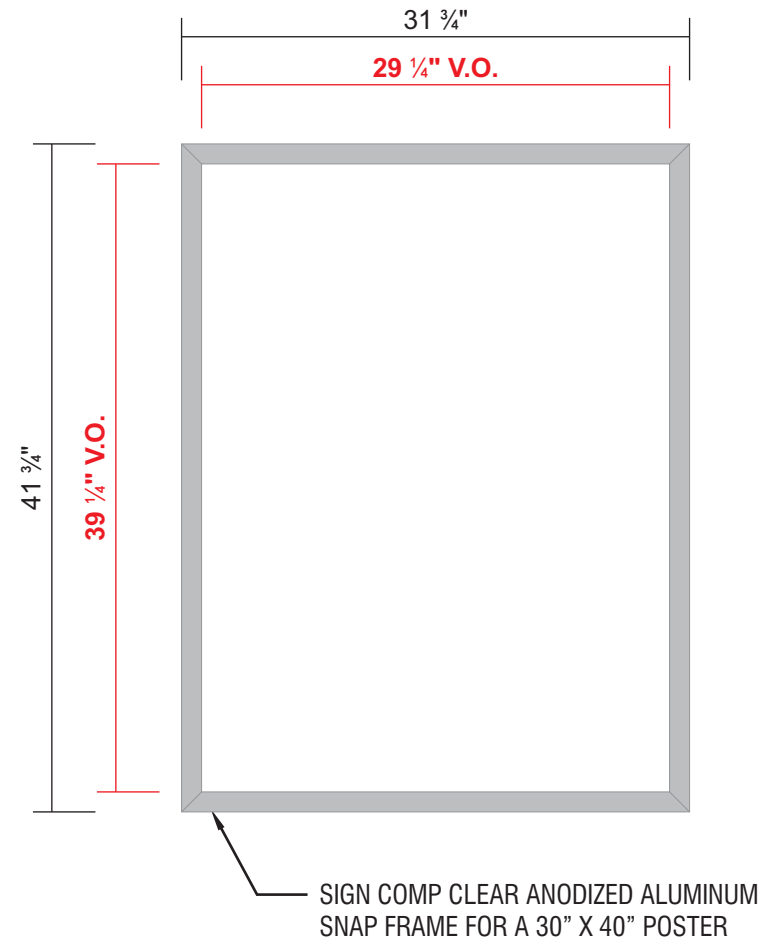
SALES: NJ

REVISIONS:

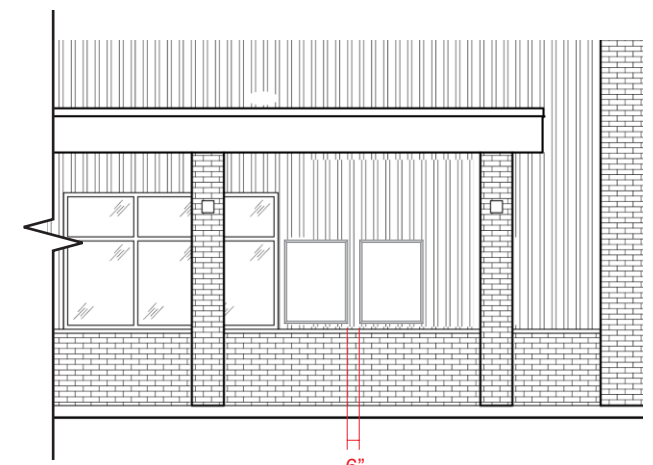
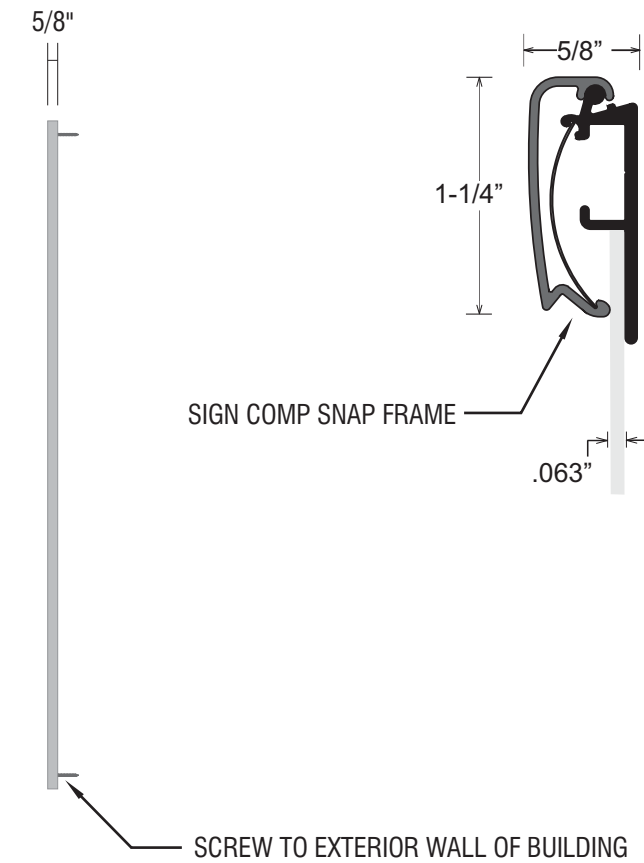
COLOR CODE

 CLEAR ANODIZED ALUMINUM

LAYOUT  
SCALE: 1"=1'-0"



DETAIL:  
FULL SCALE



ELEVATION:  
WALK-UP WINDOW  
SCALE: 1/8"=1'-0"  
(UNLESS OTHERWISE DIRECTED)  
2" INSET FROM MULLION  
2" ABOVE STONE CAP  
6" BETWEEN MENUS

SCOPE OF WORK: PROVIDE (2) ILLUMINATED MENU SIGNS V5 - WALL-MOUNTED



89975 Prairie Rd.  
Eugene, OR 97402  
541.485.5546 | esasigns.com

SHOP DRAWING #:  
**37012F**

CLIENT:  
Dutch Bros - CO0907  
5810 Omaha Blvd.  
Colorado Springs, CO

DATE OF SHOP DRAWING:  
**10/31/23**



PROD. DETAILS: CH

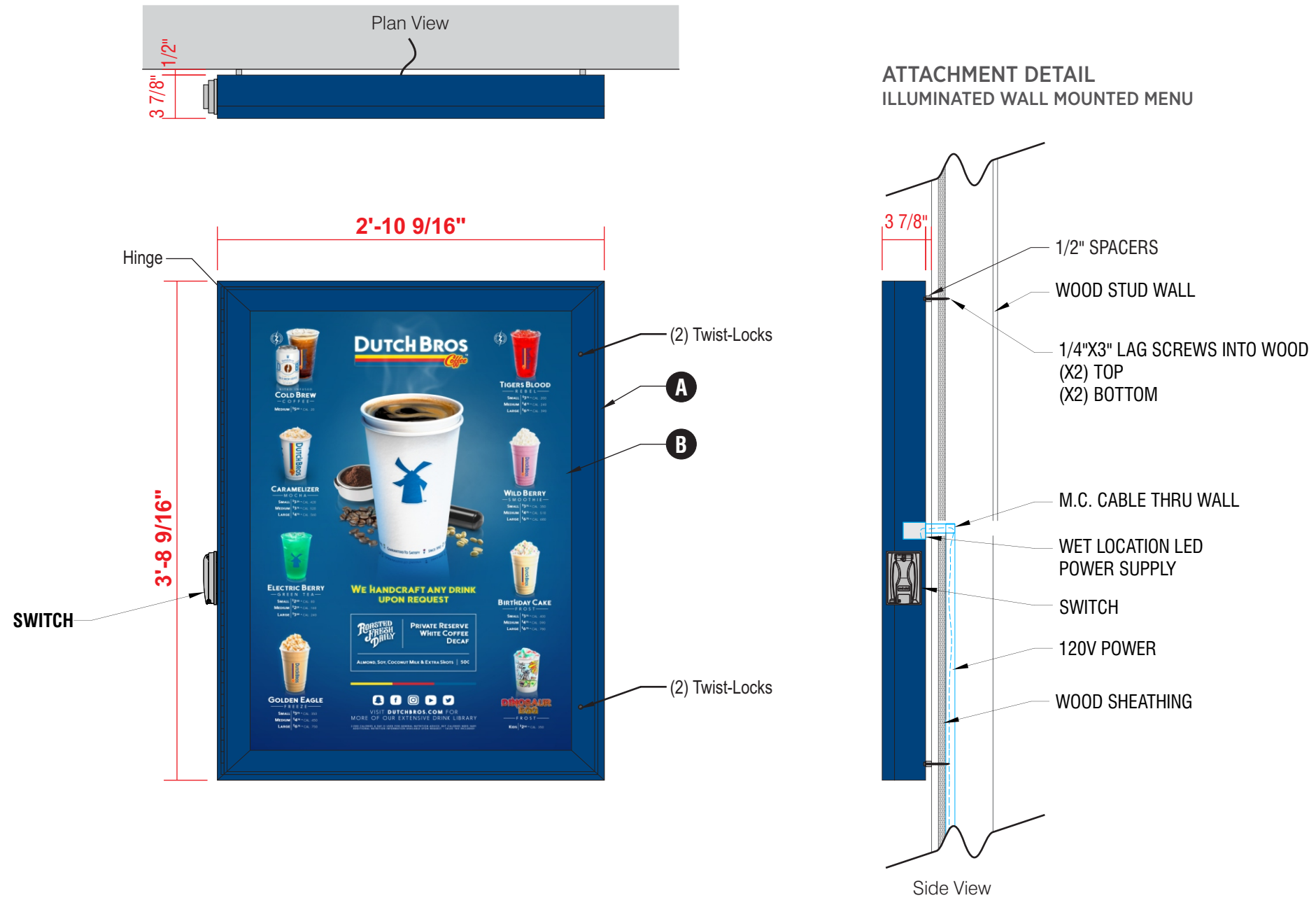
LEAD DESIGN: CH

SALES: NJ

REVISIONS:

COLOR CODE

-  DIGITAL PRINT
-  POWDER COATED DB CUSTOM DARK BLUE



- A** WALL-MOUNTED, BACKLIT MENU SIGN
  - PRINTED MENU PANEL NOT INCLUDED
  - LED OUTDOOR LIGHT BOX
  - LOCKABLE HINGED DOOR
  - ALUMINUM CONSTRUCTION
- B** PRINTED LIGHT GUIDE PANEL
  - AS SEPARATE ORDER

SCOPE OF WORK: PROVIDE (4) S/F ILLUMINATED MENU SIGNS V5 - PLATE-MOUNTED



89975 Prairie Rd.  
Eugene, OR 97402  
541.485.5546 | esasigns.com

SHOP DRAWING #:  
**37012G**

CLIENT:  
Dutch Bros - CO0907  
5810 Omaha Blvd.  
Colorado Springs, CO

DATE OF SHOP DRAWING:  
**10/31/23**



PROD. DETAILS: CH

LEAD DESIGN: CH

SALES: NJ

REVISIONS:

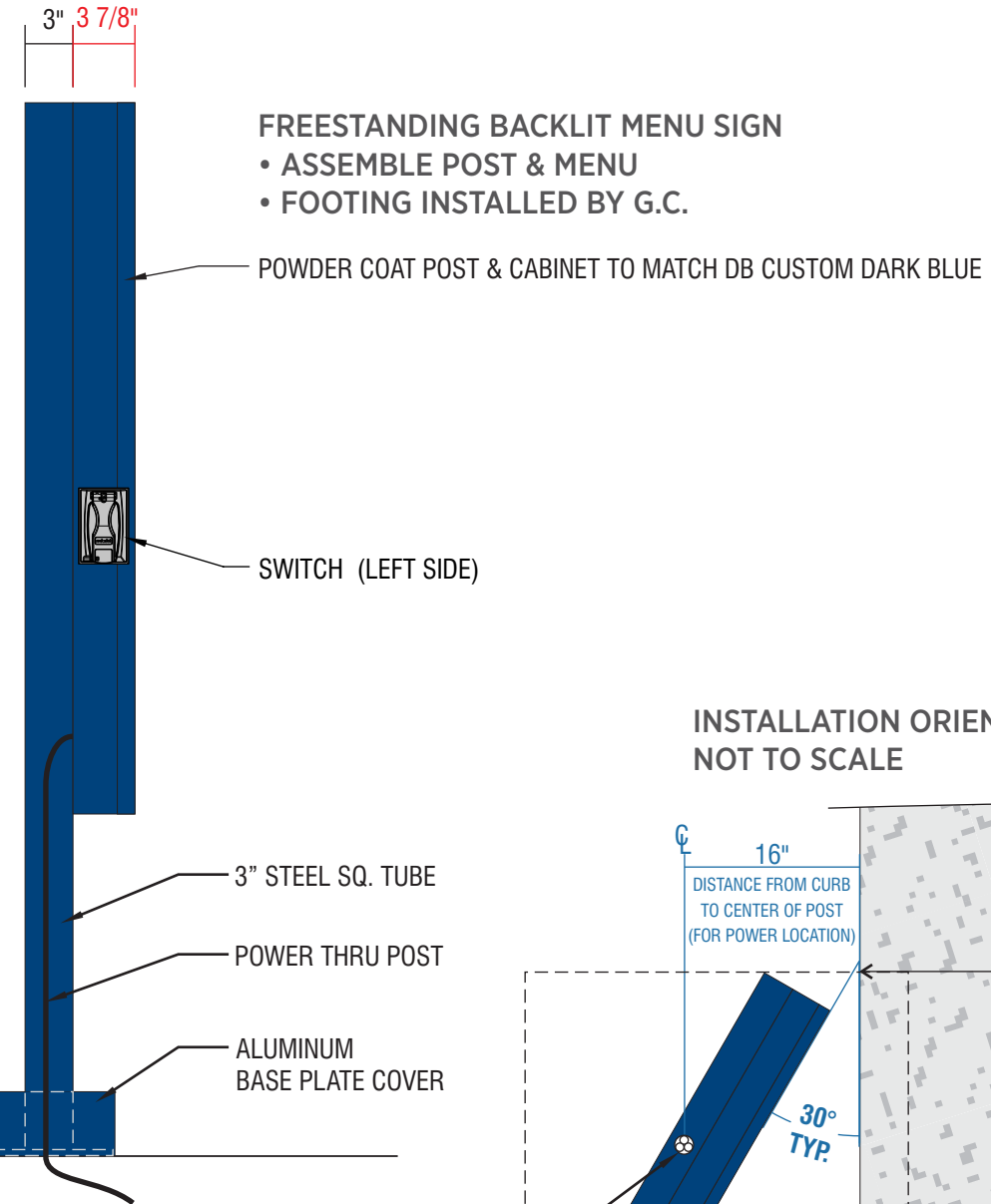
COLOR CODE

-  DIGITAL PRINT
-  POWDER COATED DB DARK BLUE

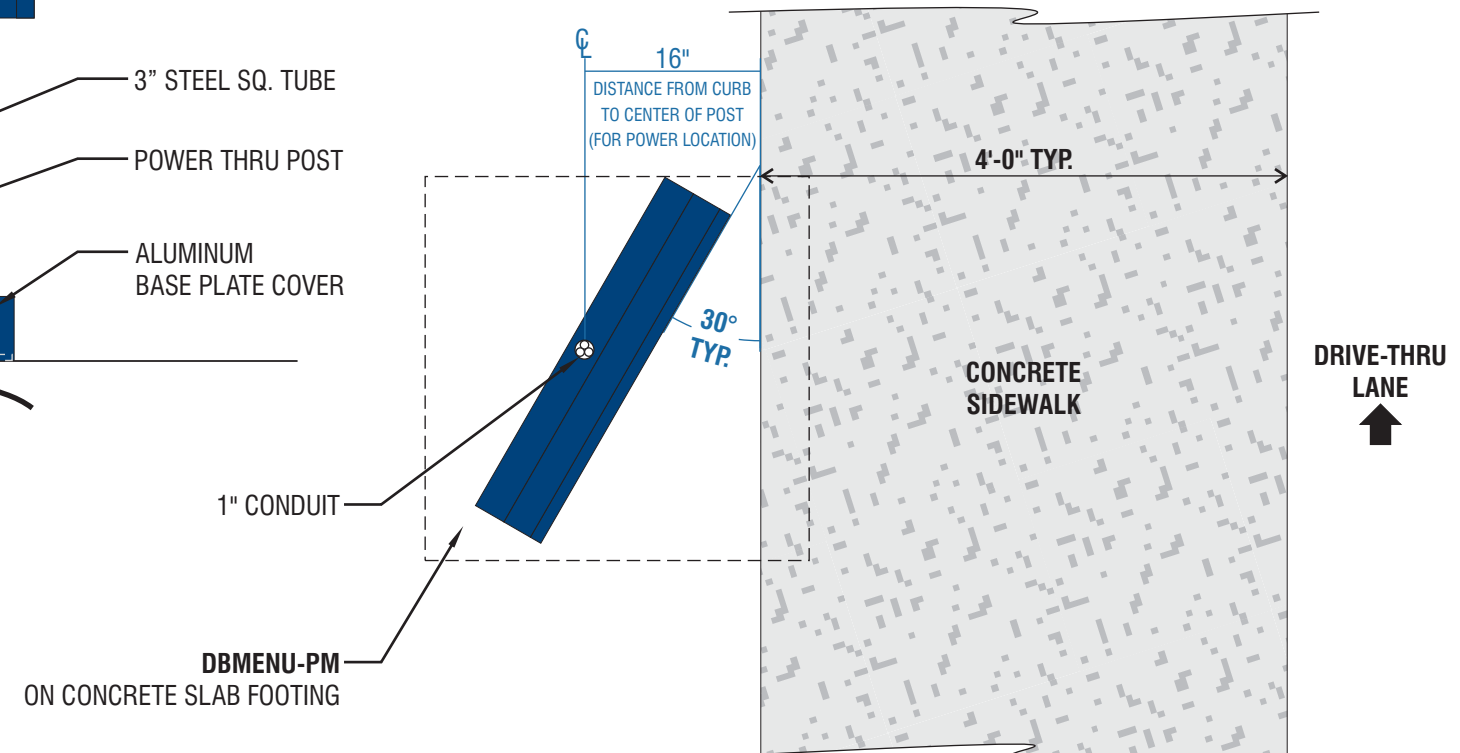
SCALE: 1"=1'-0"



SIDE VIEW



INSTALLATION ORIENTATION DETAIL  
NOT TO SCALE







89975 Prairie Rd.  
Eugene, OR 97402  
541.485.5546 | esasigns.com

SHOP DRAWING #:  
**37012G**

CLIENT:  
Dutch Bros - CO0907  
5810 Omaha Blvd.  
Colorado Springs, CO

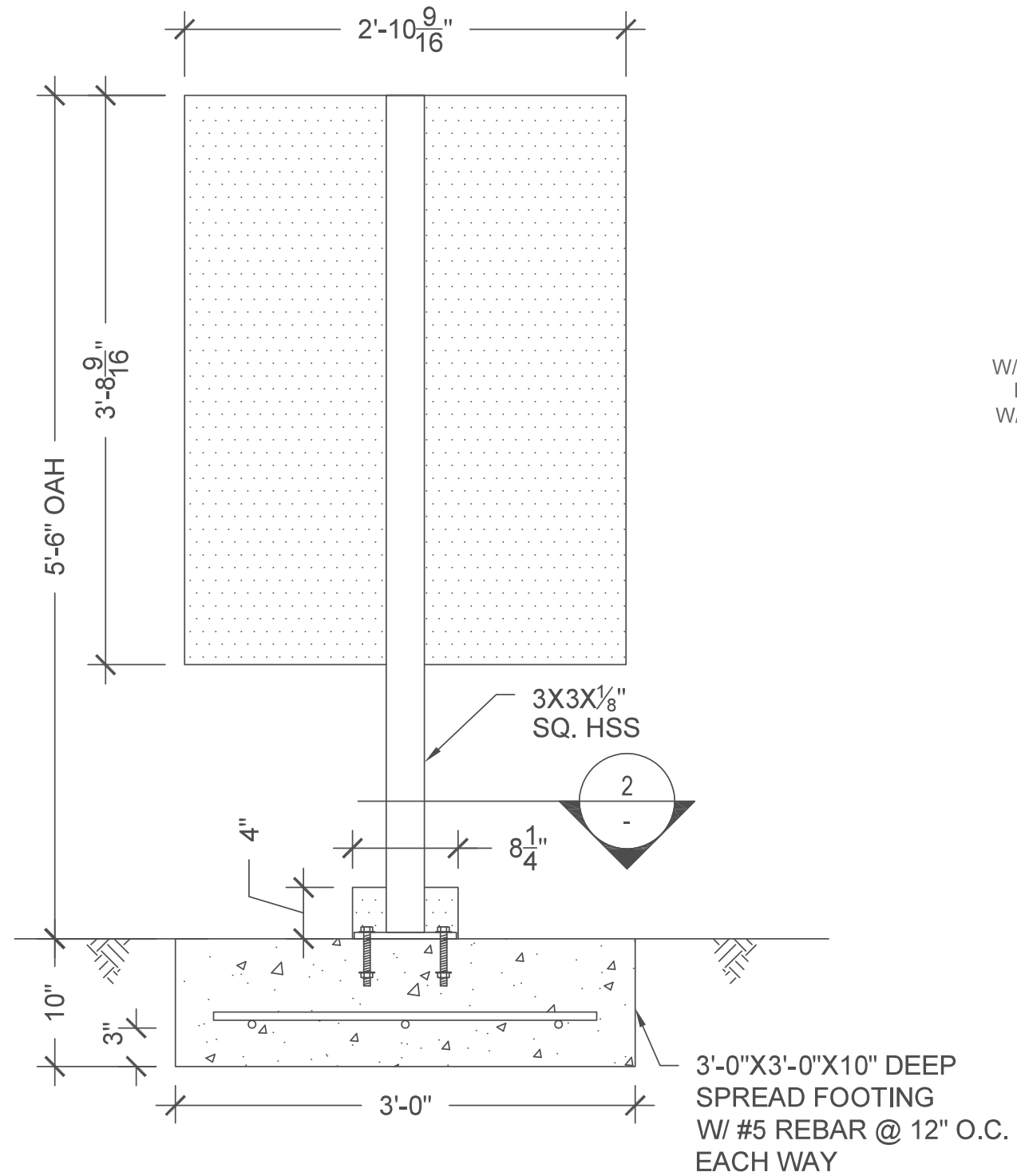
DATE OF SHOP DRAWING:  
**10/31/23**

PROD. DETAILS: CH

LEAD DESIGN: CH

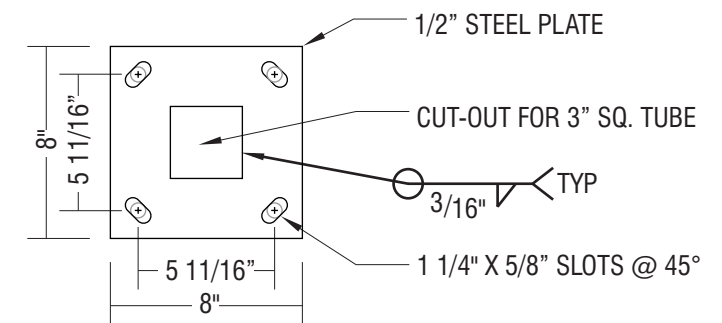
SALES: NJ

REVISIONS:



ELEVATION  
SCALE: 1"=1'-0"

8"x8"x<sup>1</sup>/<sub>2</sub>" STEEL PLATE  
W/ (4) <sup>1</sup>/<sub>2</sub>" Ø THREADED ANCHOR RODS  
MIN. EMBED.=4" INTO CONCRETE  
W/NUT/WASHER/NUT @ EMBED. END



MOUNTING PLATE  
SCALE: 1 1/2"=1'-0"

SCOPE OF WORK: MANUFACTURE & INSTALL (1) D/F NON-ILLUMINATED 'DRIVE THRU' SIGN



89975 Prairie Rd.  
Eugene, OR 97402  
541.485.5546 | esasigns.com

SHOP DRAWING #:  
**37012H**

CLIENT:  
Dutch Bros - CO0907  
5810 Omaha Blvd.  
Colorado Springs, CO

DATE OF SHOP DRAWING:  
**10/31/23**

PROD. DETAILS: CH

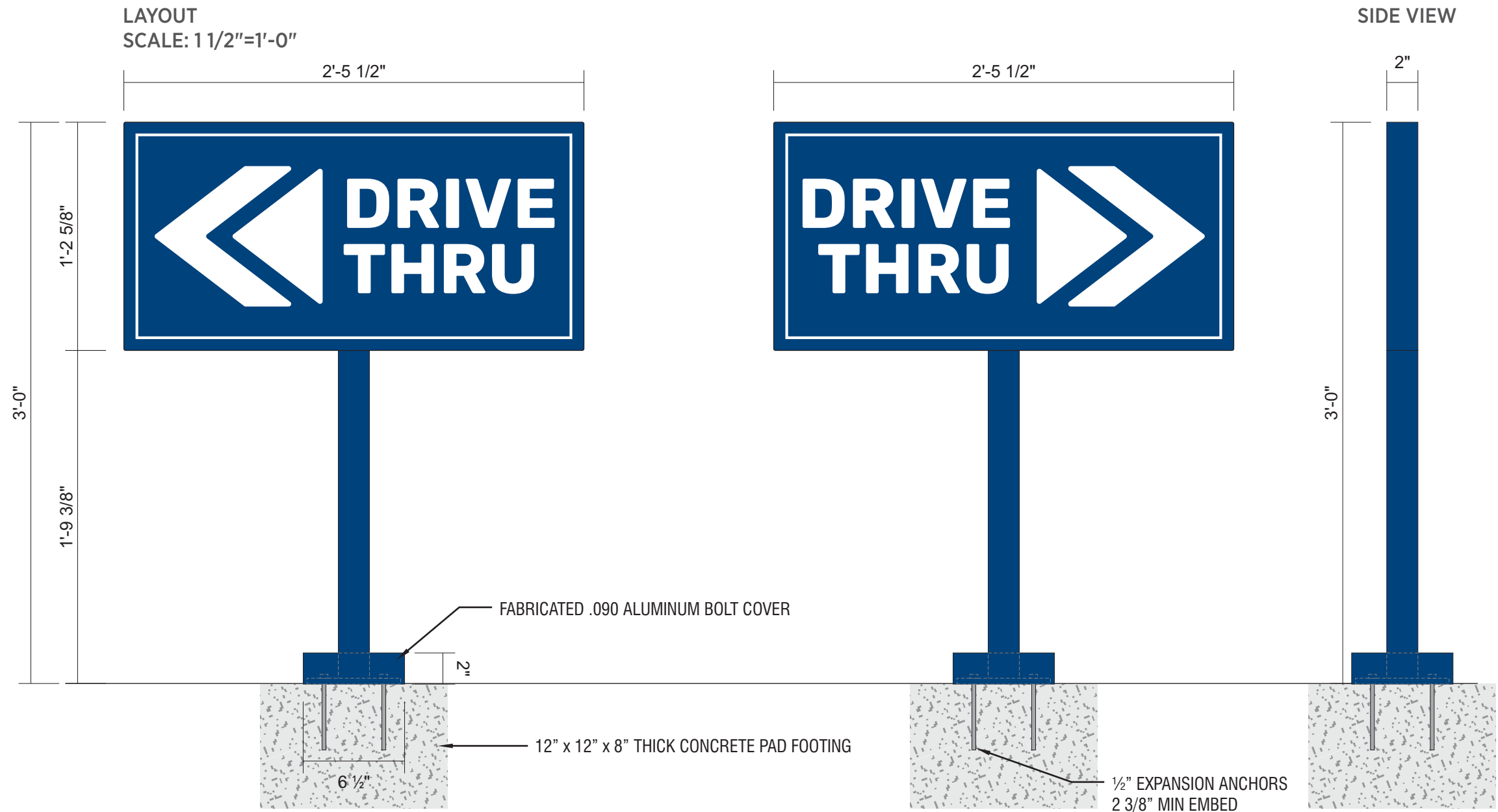
LEAD DESIGN: CH

SALES: NJ

REVISIONS:

COLOR CODE

- DB CUSTOM DARK BLUE
- WHITE



DIAMOND GRADE REFLECTIVE WHITE VINYL WITH DIGITALLY PRINTED BACKGROUND TO MATCH DB CUSTOM DARK BLUE  
(SPECIAL PRODUCTION NOTE: GRAPHICS TO BE INSET FROM EDGE 1/8").

2" X 2" SQUARE TUBE ALUMINUM FRAME & POST WITH ALUMINUM FACES & 1/4" X 6" X 6" PLATE

FABRICATED .090 ALUMINUM BOLT COVER

PAINT DB CUSTOM DARK BLUE

INSTALL PLATE-MOUNT SIGN WITH 1/2" EXPANSION ANCHORS

PAD FOOTING INSTALLED BY GC

SCOPE OF WORK: MANUFACTURE & INSTALL (1) D/F NON-ILLUMINATED EXIT SIGN



89975 Prairie Rd.  
Eugene, OR 97402  
541.485.5546 | esasigns.com

SHOP DRAWING #:  
**370121**

CLIENT:  
Dutch Bros - CO0907  
5810 Omaha Blvd.  
Colorado Springs, CO

DATE OF SHOP DRAWING:  
**10/31/23**

PROD. DETAILS: CH

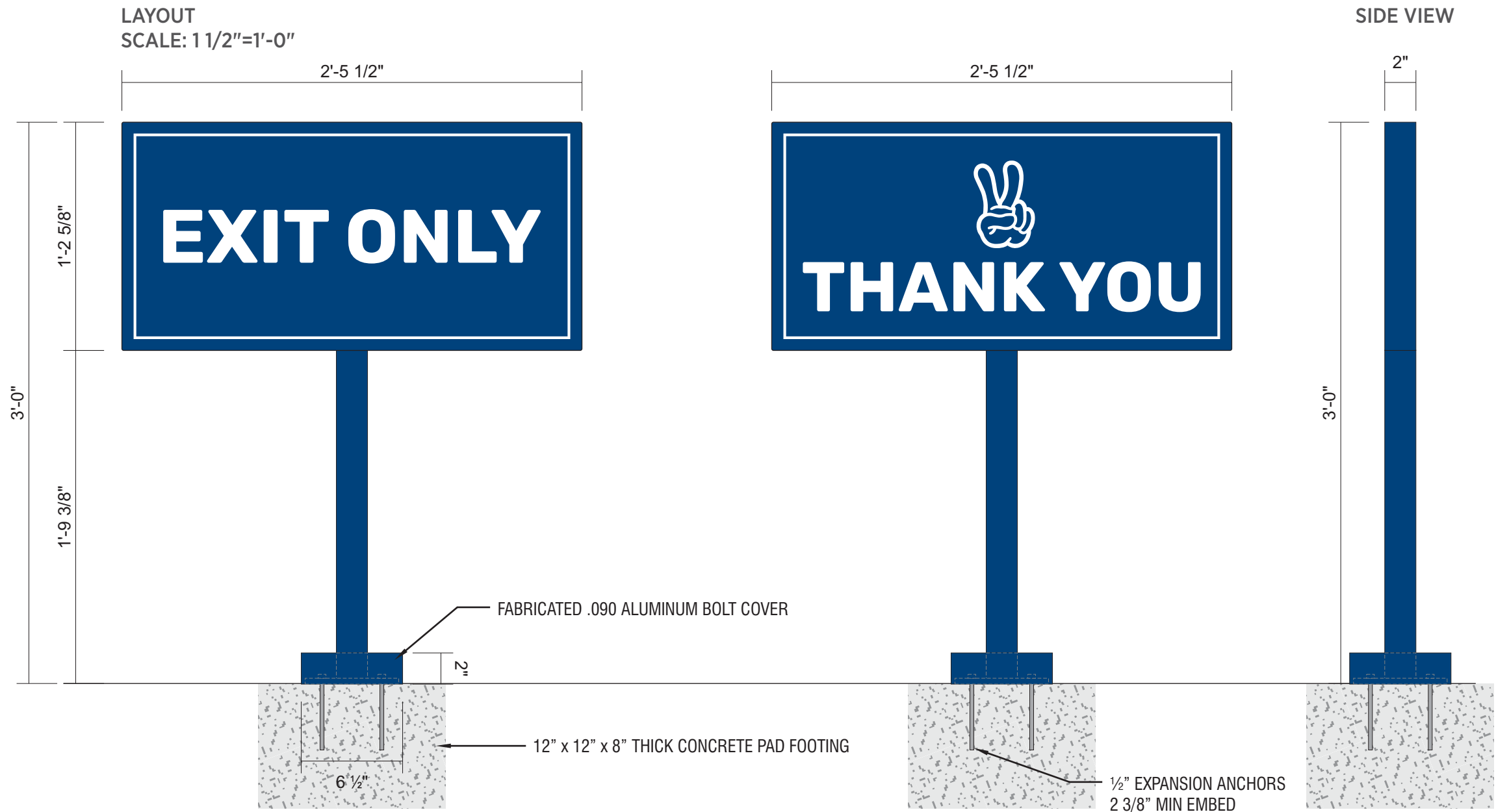
LEAD DESIGN: CH

SALES: NJ

REVISIONS:

COLOR CODE

- DB CUSTOM DARK BLUE
- WHITE



DIAMOND GRADE REFLECTIVE WHITE VINYL WITH DIGITALLY PRINTED BACKGROUND TO MATCH DB CUSTOM DARK BLUE  
**(SPECIAL PRODUCTION NOTE: GRAPHICS TO BE INSET FROM EDGE 1/8")**.  
 2" X 2" SQUARE TUBE ALUMINUM FRAME & POST WITH ALUMINUM FACES & 1/4" X 6" X 6" PLATE  
 FABRICATED .090 ALUMINUM BOLT COVER  
 PAINT DB CUSTOM DARK BLUE  
 INSTALL PLATE-MOUNT SIGN WITH 1/2" EXPANSION ANCHORS  
 PAD FOOTING INSTALLED BY GC





89975 Prairie Rd.  
Eugene, OR 97402  
541.485.5546 | esasigns.com

SHOP DRAWING #:  
**37012J**

CLIENT:  
Dutch Bros - CO0907  
5810 Omaha Blvd.  
Colorado Springs, CO

DATE OF SHOP DRAWING:  
**10/31/23**



PROD. DETAILS: CH

LEAD DESIGN: CH

SALES: NJ

REVISIONS:

COLOR CODE

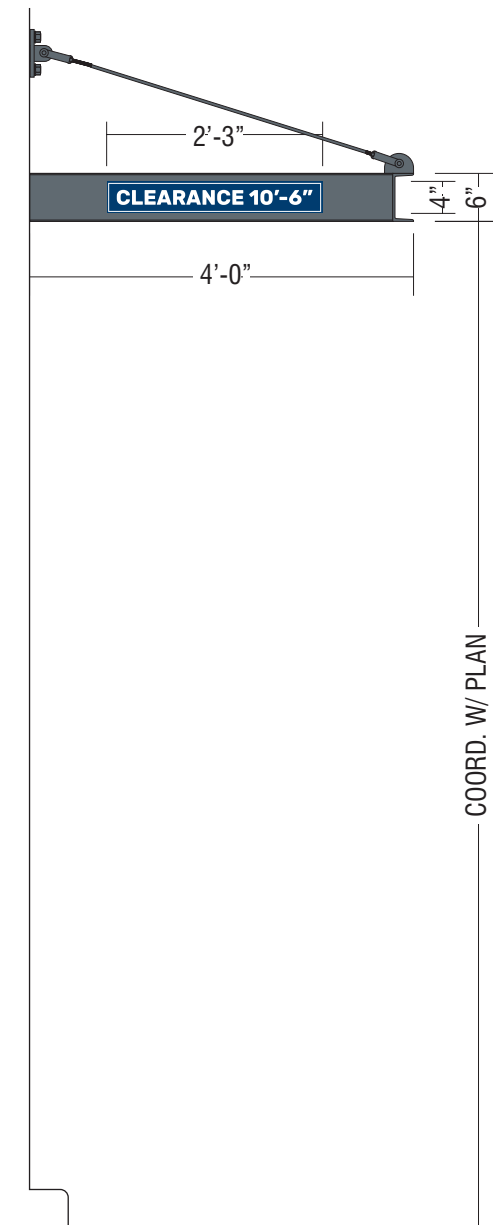
-  REFLECTIVE WHITE PSV
-  DB CUSTOM DARK BLUE

CLEARANCE SIGN  
SCALE: 3"=1'-0"



3MM ACM SIGN PANEL PAINTED DB CUSTOM DARK BLUE.  
WHITE REFLECTIVE VINYL COPY & BORDER (NUMBERS SHIPPED LOOSE & FIELD APPLIED).  
MOUNT DIRECTLY TO ALUMINUM AWNING DRIVE-THRU ENTRANCE SIDE  
WITH EXTERIOR GRADE 3M VHB TAPE.

ELEVATION  
SCALE: 1/2"=1'-0"



SCOPE OF WORK: MANUFACTURE & INSTALL (1) SET OF BUILDING ADDRESS NUMBERS



89975 Prairie Rd.  
Eugene, OR 97402  
541.485.5546 | esasigns.com

SHOP DRAWING #:  
**37012K**

CLIENT:  
Dutch Bros - CO0907  
5810 Omaha Blvd.  
Colorado Springs, CO

DATE OF SHOP DRAWING:  
**10/31/23**

PROD. DETAILS: CH

LEAD DESIGN: CH

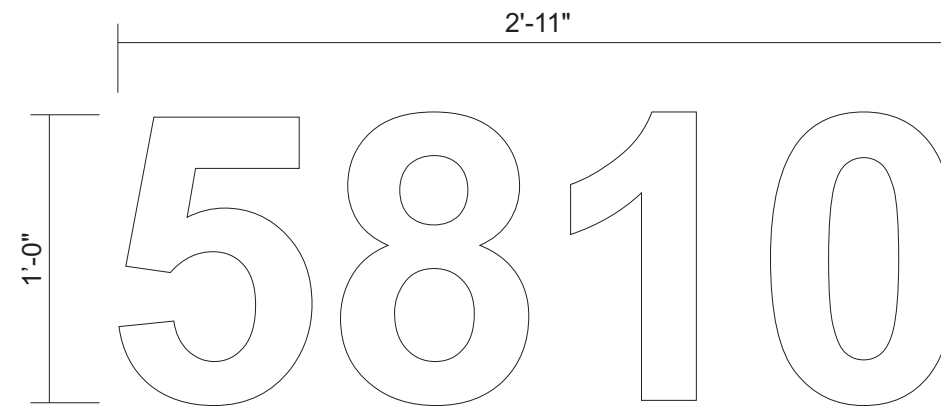
SALES: NJ

REVISIONS:

COLOR CODE

- SATIN WHITE PAINT
- REFLECTIVE WHITE VINYL

BUILDING ADDRESS  
SCALE: 1 1/2"=1'-0"



ADDRESS NUMBERS:

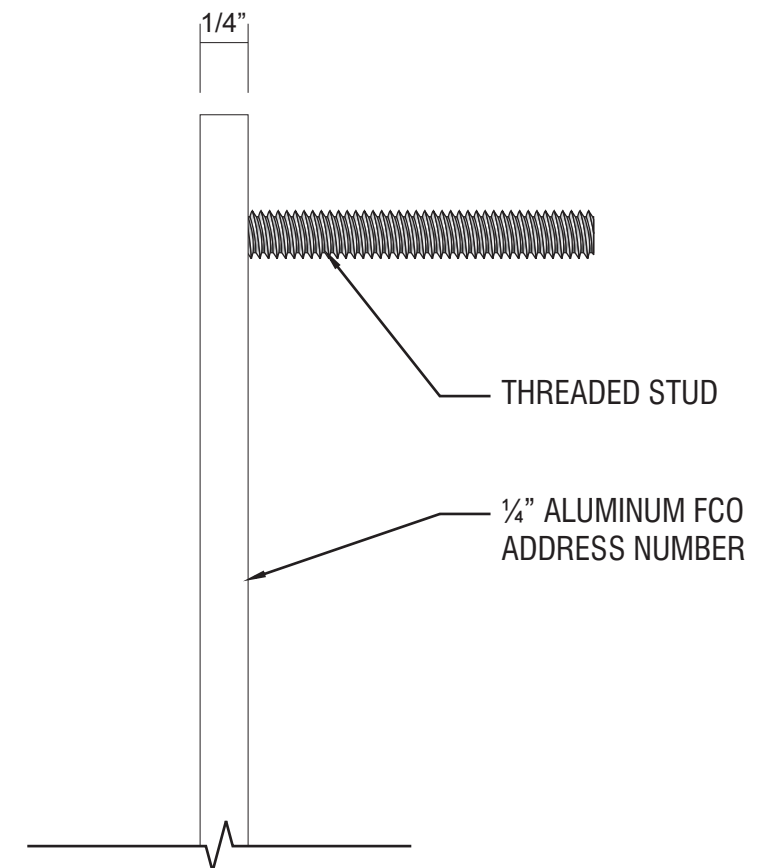
FONT: ARIAL BOLD

MATERIAL: 1/4" THICK ALUMINUM

COLOR: PAINTED SATIN WHITE WITH 3M REFLECTIVE WHITE VINYL, INSET 1/8"

INSTALLATION: STUD MOUNTED FLUSH TO BUILDING

SIDE DETAIL  
FULL SCALE



SUMMARY - BUILDING AWNINGS



89975 Prairie Rd.  
Eugene, OR 97402  
541.485.5546 | esesigns.com

SUMMARY DRAWING:  
**37013**

CLIENT:  
Dutch Bros - C00907  
5810 Omaha Blvd.  
Colorado Springs, CO

DATE OF SHOP DRAWING:  
**10/31/23**

PROD. DETAILS: CH

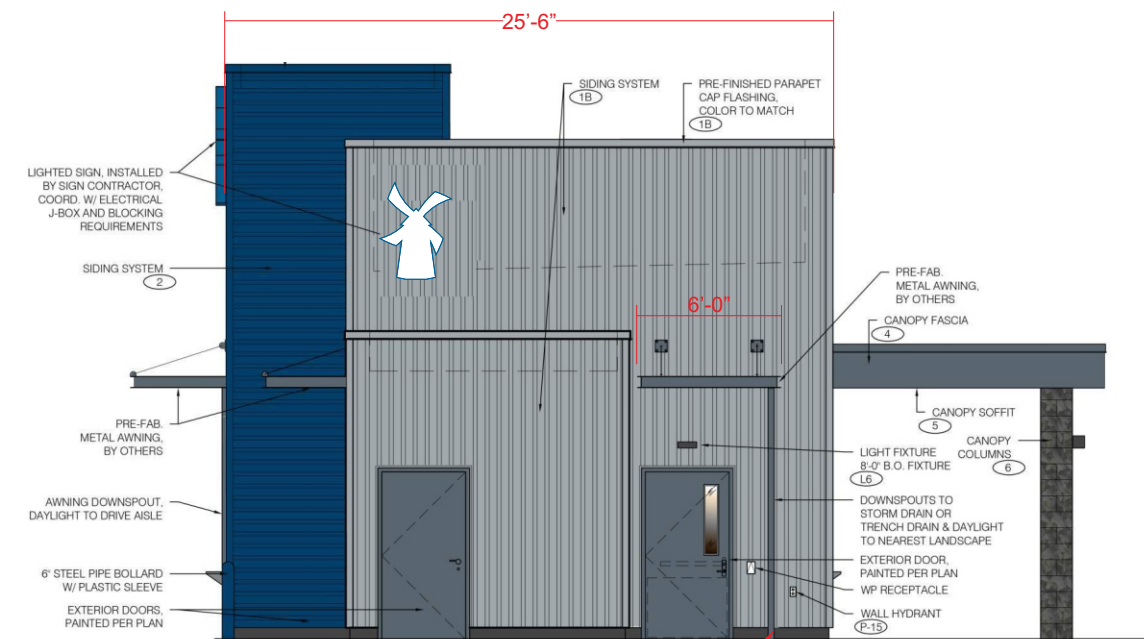
LEAD DESIGN: CH

SALES: NJ

REVISIONS:  
1.30.24 Moved address  
from West.

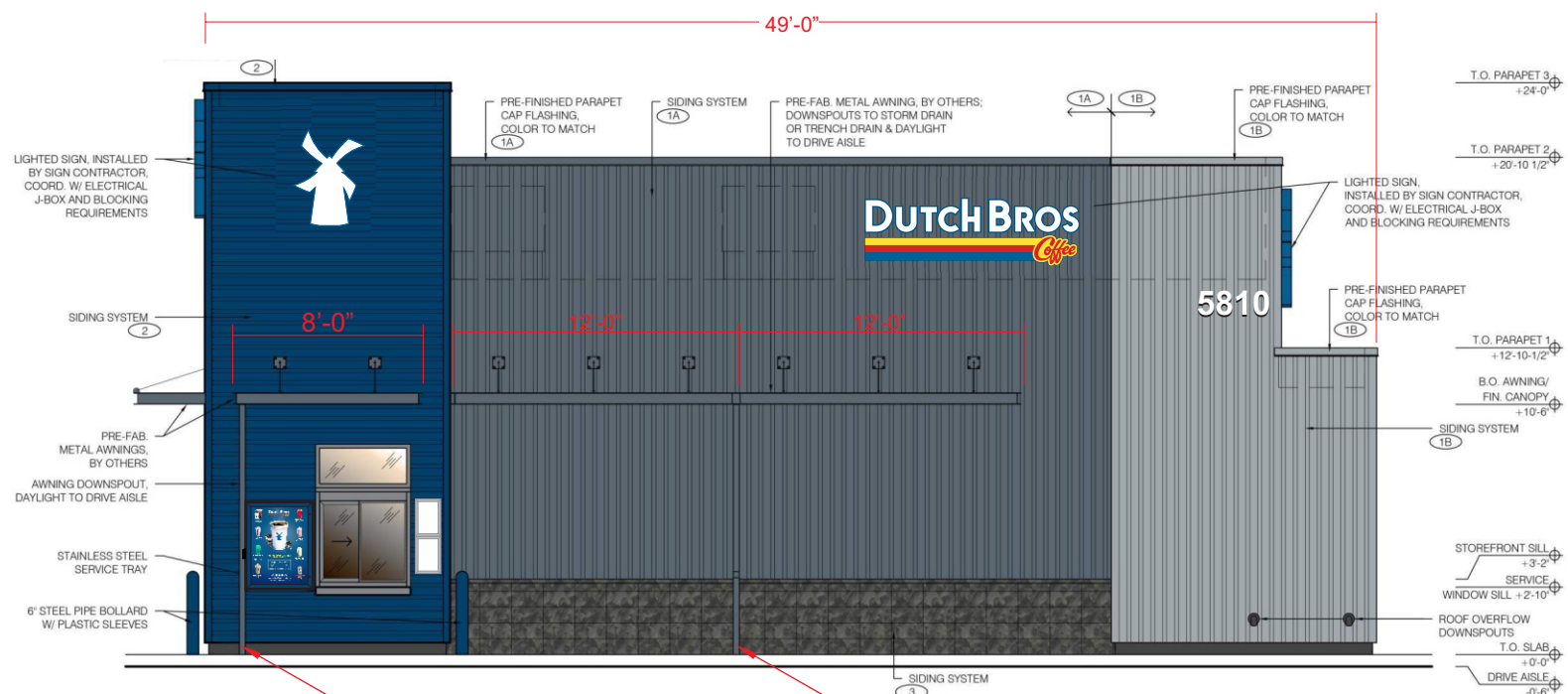


NORTH ELEVATION  
SCALE: 1/8"=1'-0"



EAST ELEVATION  
SCALE: 1/8"=1'-0"

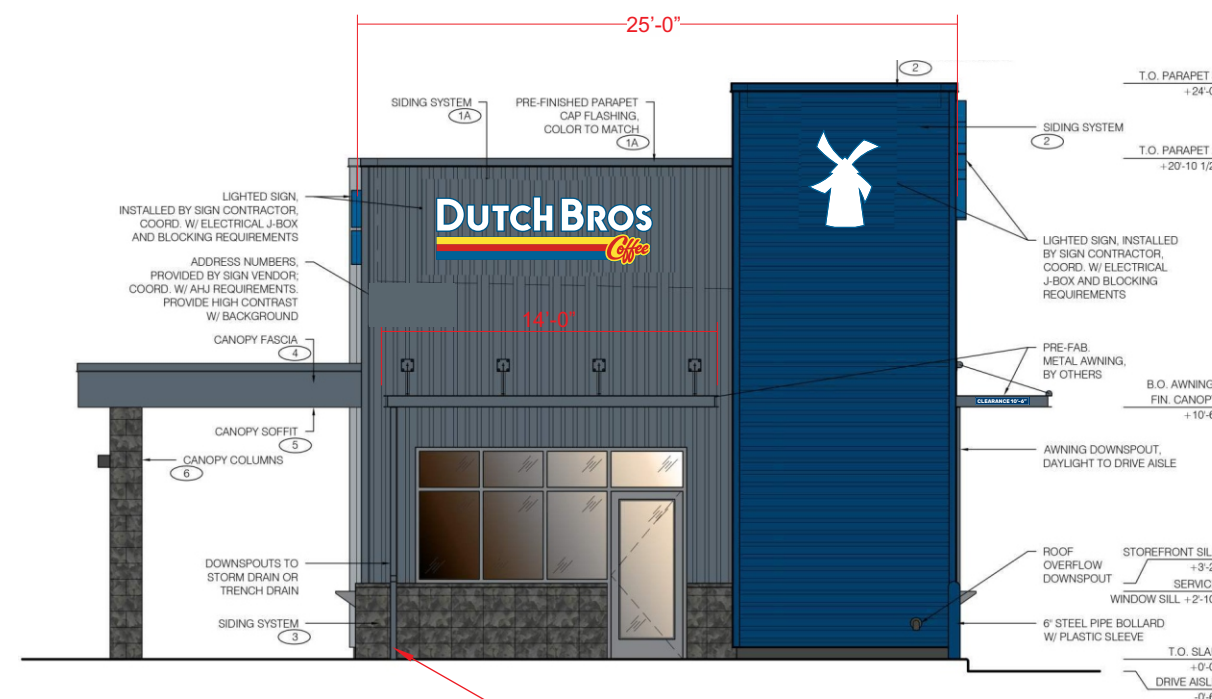
DOWN SPOUT



SOUTH ELEVATION  
SCALE: 1/8"=1'-0"

DOWN SPOUT

DOWN SPOUT



WEST ELEVATION  
SCALE: 1/8"=1'-0"

DOWN SPOUT

SCOPE OF WORK: MANUFACTURE & INSTALL (1) METAL AWNING



89975 Prairie Rd.  
Eugene, OR 97402  
541.485.5546 | esasigns.com

SHOP DRAWING #:  
**37013A**

CLIENT:  
Dutch Bros - CO0907  
5810 Omaha Blvd.  
Colorado Springs, CO

DATE OF SHOP DRAWING:  
**10/31/23**

PROD. DETAILS: CH

LEAD DESIGN: CH

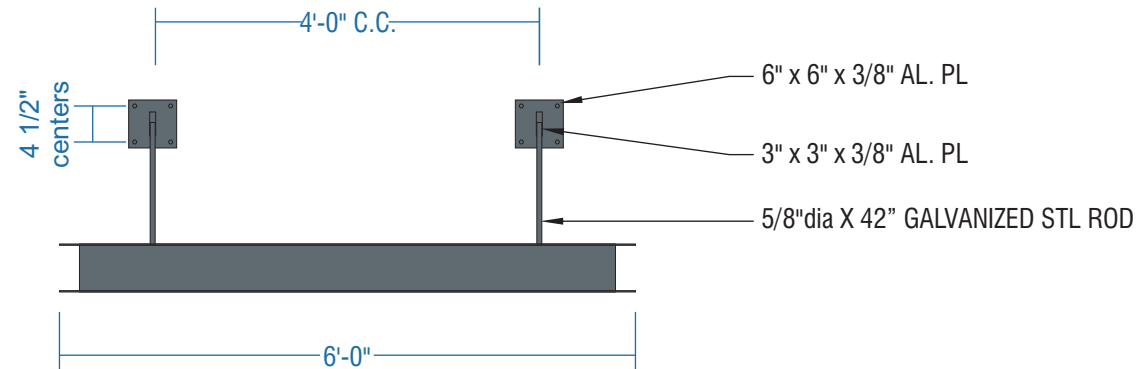
SALES: NJ

REVISIONS:

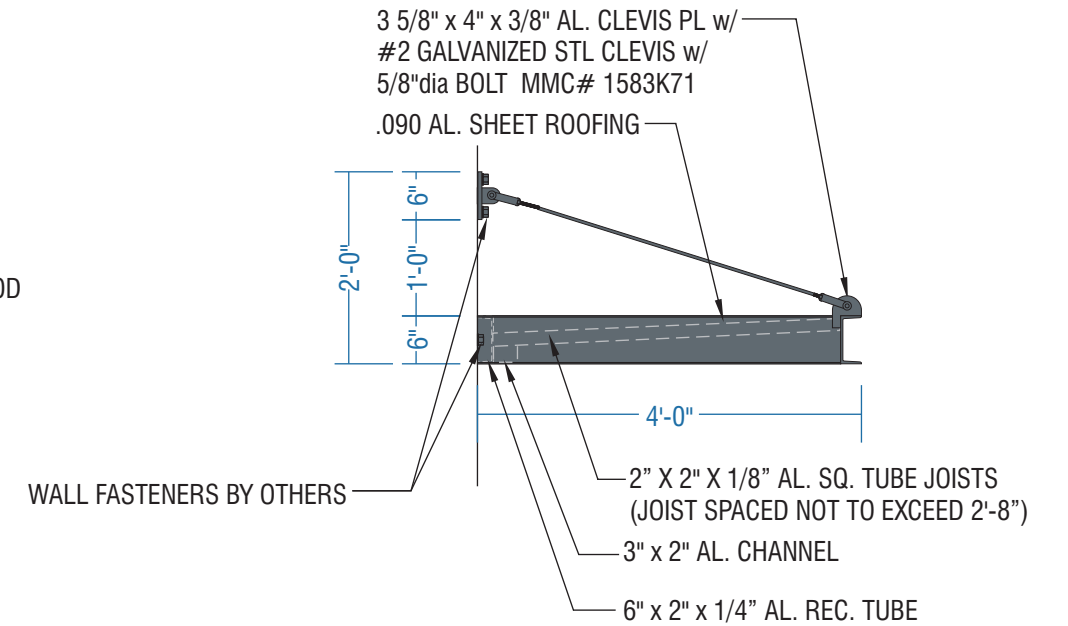
COLOR CODE

■ DB DARK GREY  
(PMS 431 C)

FRONT VIEW  
SCALE: 1/2" = 1'-0"



SIDE VIEW  
SCALE: 1/2" = 1'-0"



6" ALUMINUM C-CHANNEL FRONT & SIDES, WITH FLANGE POINTING OUT. (C6 x 2.83)

.090 ALUMINUM SHEET ROOFING MOUNTED INSIDE C-CHANNEL & DRAINAGE GUTTER CHANNEL SLOPED TOWARDS BUILDING.

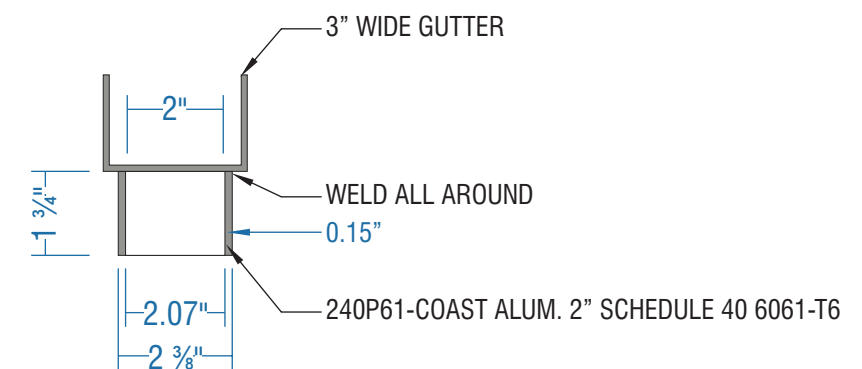
TURNBUCKLES, 5/8" GALVANIZED STEEL ROD SUPPORTS WITH #2 GALVANIZED STEEL CLEVIS & PIN

ATTACHED TO 6" X 6" X 3/8" ALUMINUM PLATE/BRACKET AT WALL.

PAINT ENTIRE CANOPY, BRACKETS, SUPPORTS DB CUSTOM DARK GREY.

INSTALLATION BY G.C.

DOWNSPOUT DETAIL  
SCALE: 3" = 1'-0"



SCOPE OF WORK: MANUFACTURE & INSTALL (1) METAL AWNING



89975 Prairie Rd.  
Eugene, OR 97402  
541.485.5546 | esasigns.com

SHOP DRAWING #:  
**37013B**

CLIENT:  
Dutch Bros - CO0907  
5810 Omaha Blvd.  
Colorado Springs, CO

DATE OF SHOP DRAWING:  
**10/31/23**

PROD. DETAILS: CH

LEAD DESIGN: CH

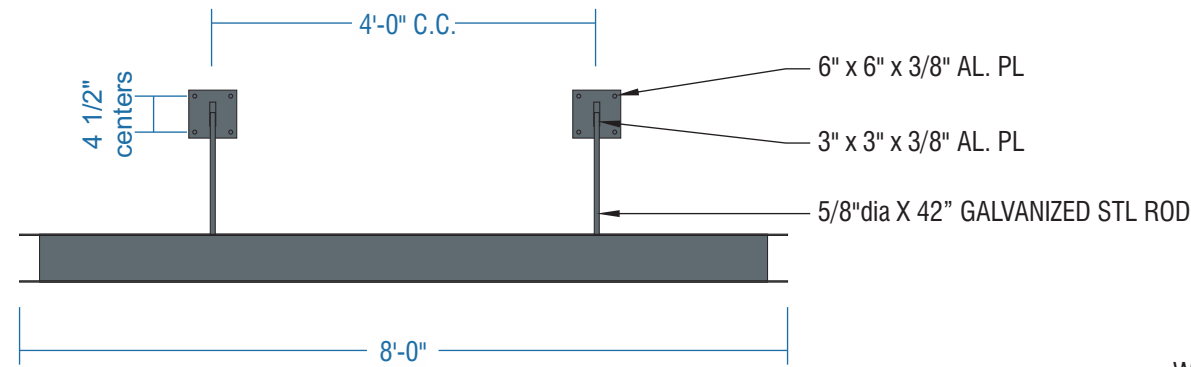
SALES: NJ

REVISIONS:

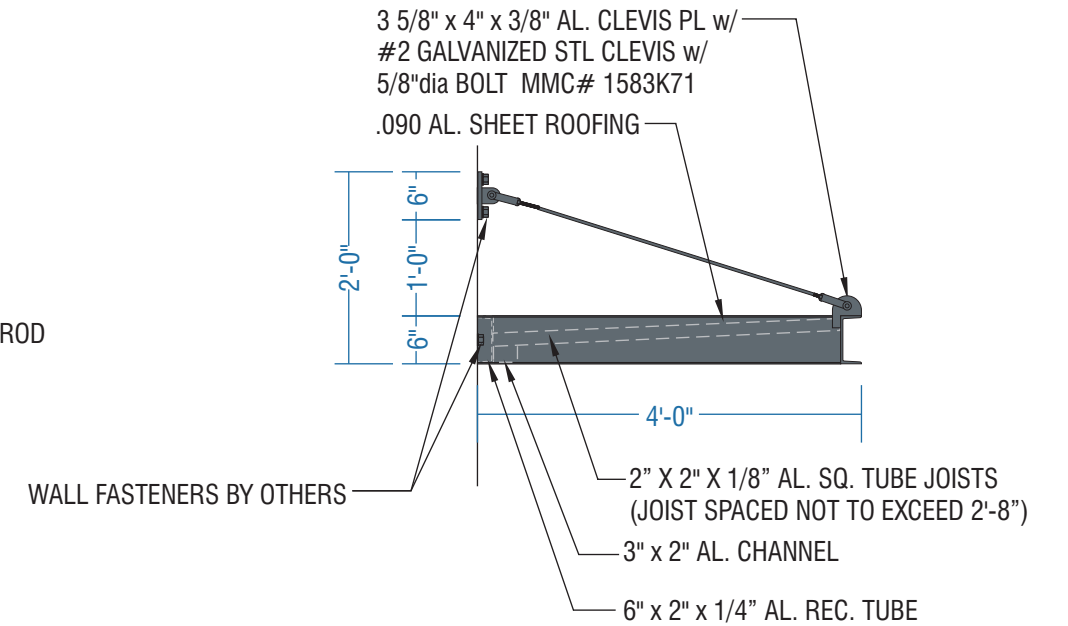
COLOR CODE

■ DB DARK GREY  
(PMS 431 C)

FRONT VIEW  
SCALE: 1/2" = 1'-0"



SIDE VIEW  
SCALE: 1/2" = 1'-0"



6" ALUMINUM C-CHANNEL FRONT & SIDES, WITH FLANGE POINTING OUT. (C6 x 2.83)

.090 ALUMINUM SHEET ROOFING MOUNTED INSIDE C-CHANNEL & DRAINAGE GUTTER CHANNEL SLOPED TOWARDS BUILDING.

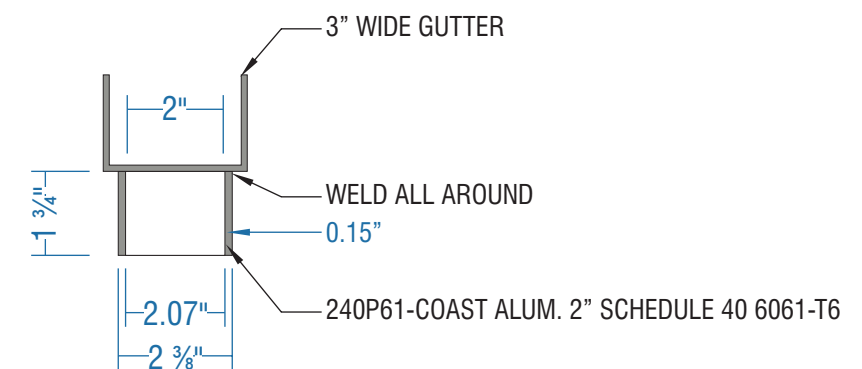
TURNBUCKLES, 5/8" GALVANIZED STEEL ROD SUPPORTS WITH #2 GALVANIZED STEEL CLEVIS & PIN

ATTACHED TO 6" X 6" X 3/8" ALUMINUM PLATE/BACKET AT WALL.

PAINT ENTIRE CANOPY, BRACKETS, SUPPORTS DB CUSTOM DARK GREY.

INSTALLATION BY G.C.

DOWNSPOUT DETAIL  
SCALE: 3" = 1'-0"





SCOPE OF WORK: MANUFACTURE & INSTALL (2) METAL AWNINGS



89975 Prairie Rd.  
Eugene, OR 97402  
541.485.5546 | esasigns.com

SHOP DRAWING #:  
**37013C**

CLIENT:  
Dutch Bros - CO0907  
5810 Omaha Blvd.  
Colorado Springs, CO

DATE OF SHOP DRAWING:  
**10/31/23**

PROD. DETAILS: CH

LEAD DESIGN: CH

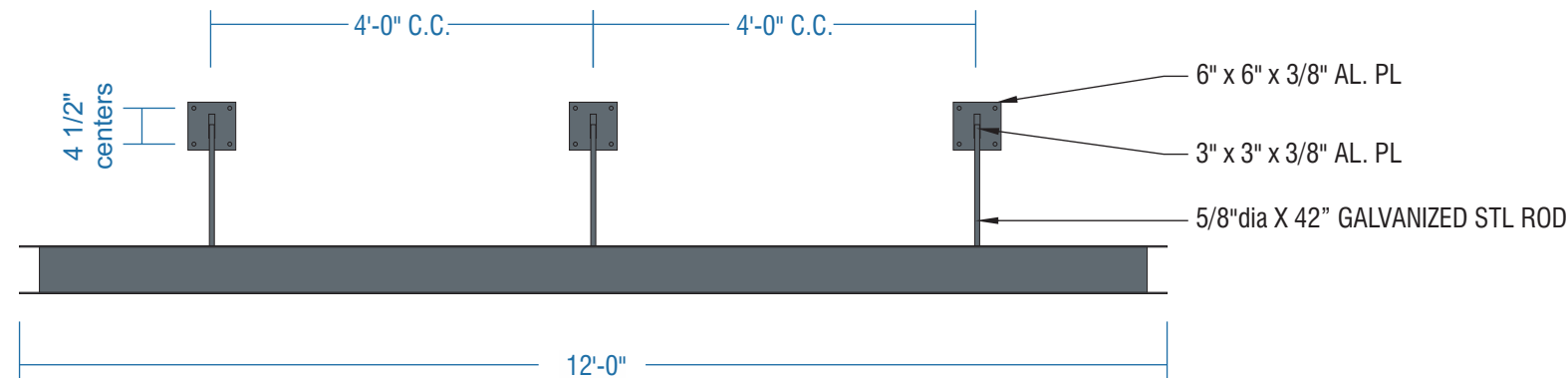
SALES: NJ

REVISIONS:

COLOR CODE

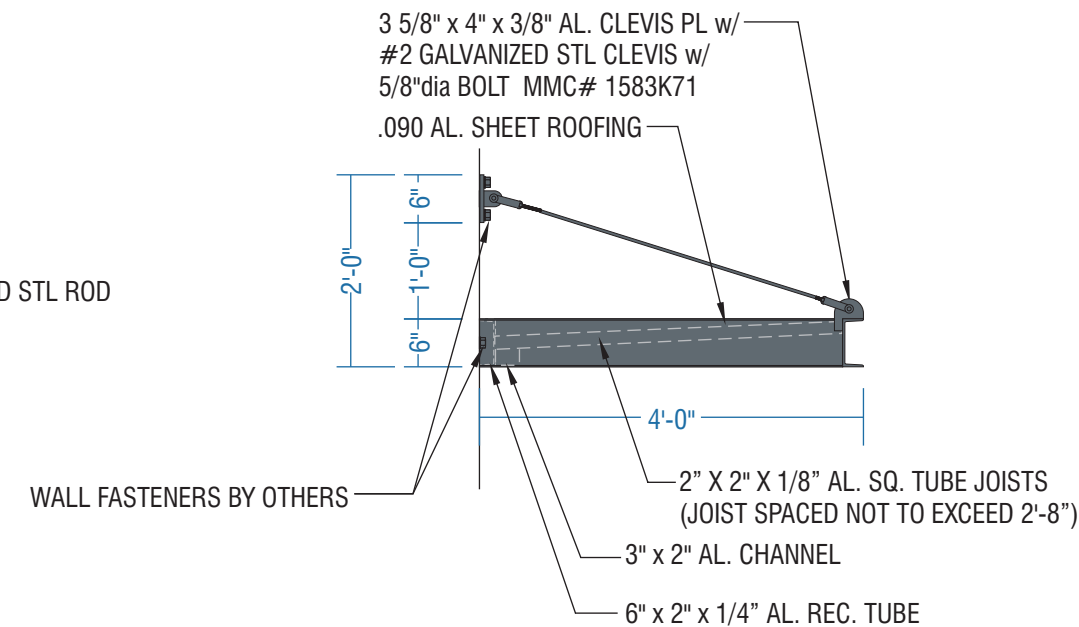
■ DB DARK GREY  
(PMS 431 C)

FRONT VIEW  
SCALE: 1/2" = 1'-0"

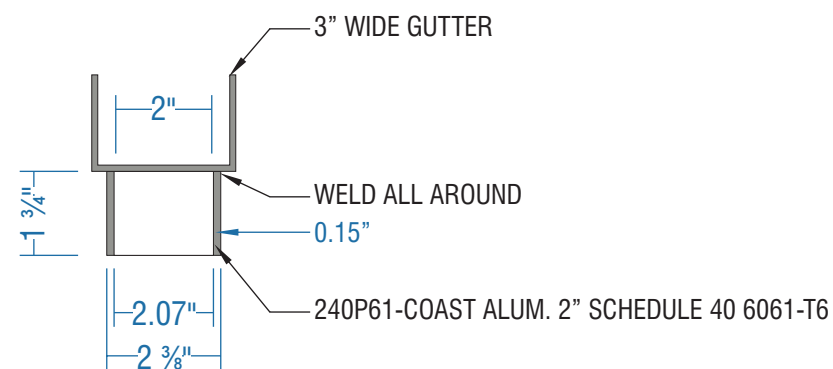


6" ALUMINUM C-CHANNEL FRONT & SIDES, WITH FLANGE POINTING OUT. (C6 x 2.83)  
.090 ALUMINUM SHEET ROOFING MOUNTED INSIDE C-CHANNEL & DRAINAGE GUTTER CHANNEL SLOPED TOWARDS BUILDING.  
TURNBUCKLES, 5/8" GALVANIZED STEEL ROD SUPPORTS WITH #2 GALVANIZED STEEL CLEVIS & PIN  
ATTACHED TO 6" X 6" X 3/8" ALUMINUM PLATE/BACKET AT WALL.  
FABRICATED ALUMINUM .063 BREAK-FORMED RIDGE CAP FLASHING TO MOUNT WITH VHB & SILICONE OVER THE GAP BETWEEN CANOPIES.  
PAINT ENTIRE CANOPY, BRACKETS, SUPPORTS DB CUSTOM DARK GREY.  
INSTALLATION BY G.C.

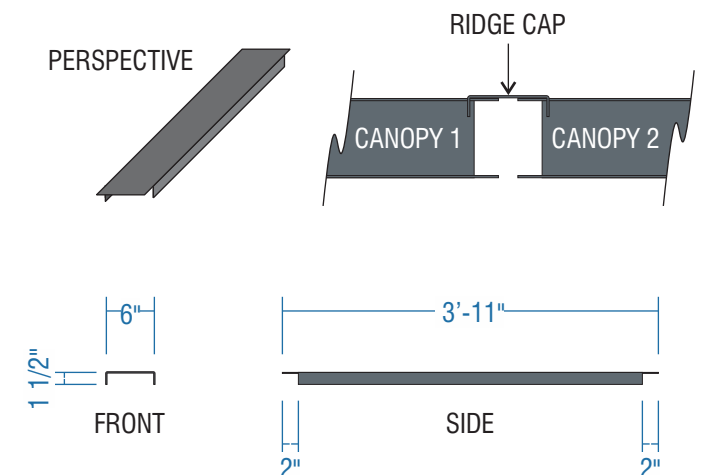
SIDE VIEW  
SCALE: 1/2" = 1'-0"



DOWNSPOUT DETAIL  
SCALE: 3" = 1'-0"



RIDGE CAP (QTY. 1)  
SCALE: 1/2" = 1'-0"



SCOPE OF WORK: MANUFACTURE & INSTALL (1) METAL AWNING



89975 Prairie Rd.  
Eugene, OR 97402  
541.485.5546 | esasigns.com

SHOP DRAWING #:  
**37013D**

CLIENT:  
Dutch Bros - CO0907  
5810 Omaha Blvd.  
Colorado Springs, CO

DATE OF SHOP DRAWING:  
**10/31/23**

PROD. DETAILS: CH

LEAD DESIGN: CH

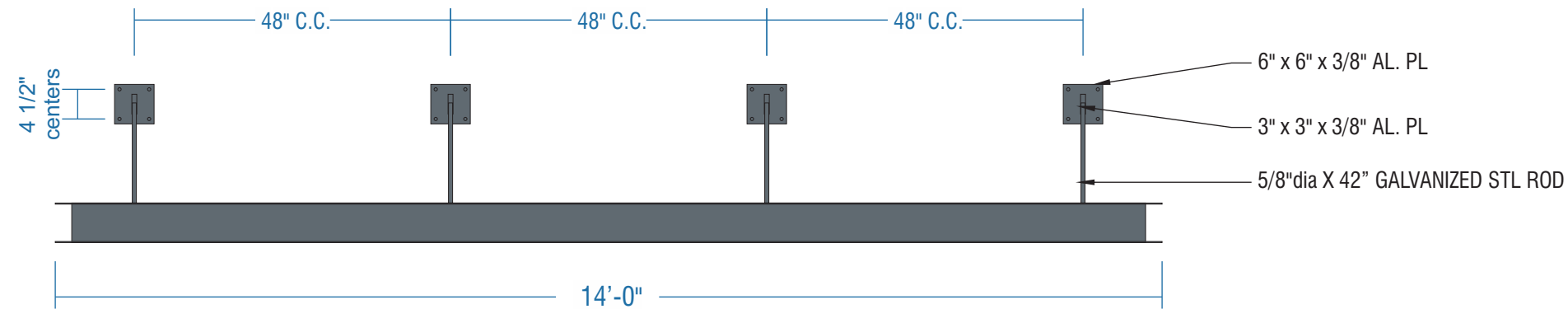
SALES: NJ

REVISIONS:

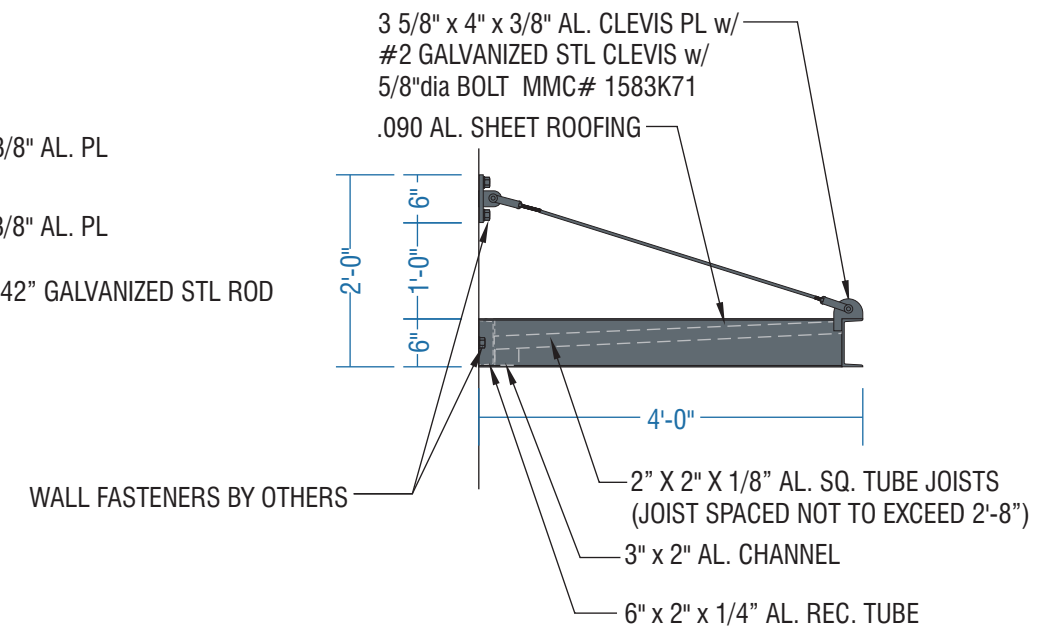
COLOR CODE

■ DB DARK GREY  
(PMS 431 C)

FRONT VIEW  
SCALE: 1/2" = 1'-0"



SIDE VIEW  
SCALE: 1/2" = 1'-0"



6" ALUMINUM C-CHANNEL FRONT & SIDES, WITH FLANGE POINTING OUT. (C6 x 2.83)

.090 ALUMINUM SHEET ROOFING MOUNTED INSIDE C-CHANNEL & DRAINAGE GUTTER CHANNEL SLOPED TOWARDS BUILDING.

TURNBUCKLES, 5/8" GALVANIZED STEEL ROD SUPPORTS WITH #2 GALVANIZED STEEL CLEVIS & PIN

ATTACHED TO 6" X 6" X 3/8" ALUMINUM PLATE/BRACKET AT WALL.

PAINT ENTIRE CANOPY, BRACKETS, SUPPORTS DB CUSTOM DARK GREY.

INSTALLATION BY G.C.

DOWNSPOUT DETAIL  
SCALE: 3" = 1'-0"

