

SUMMARY - BUILDING AWNINGS



89975 Prairie Rd.  
Eugene, OR 97402  
541.485.5546 | esasigns.com

SUMMARY DRAWING:  
**37013**

CLIENT:  
Dutch Bros - CO0907  
5810 Omaha Blvd.  
Colorado Springs, CO

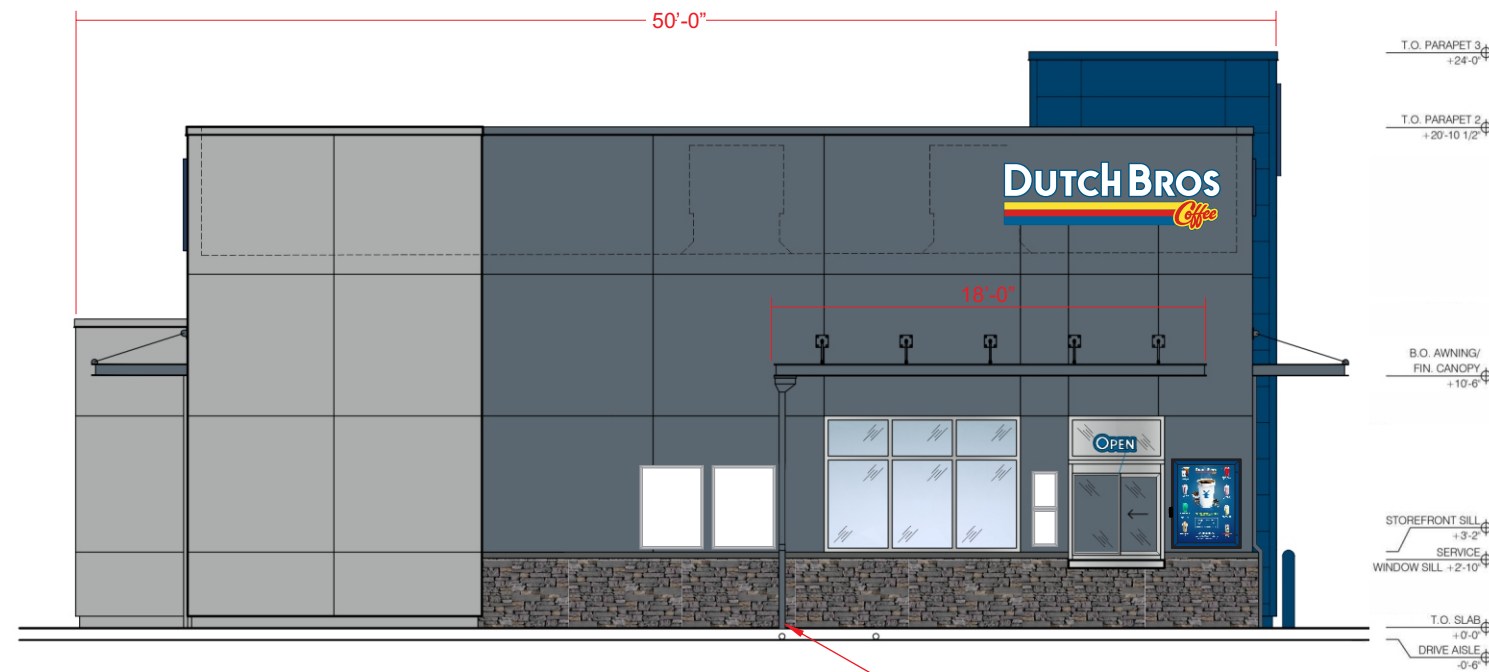
DATE OF SHOP DRAWING:  
**10/31/23**

PROD. DETAILS: CH

LEAD DESIGN: CH

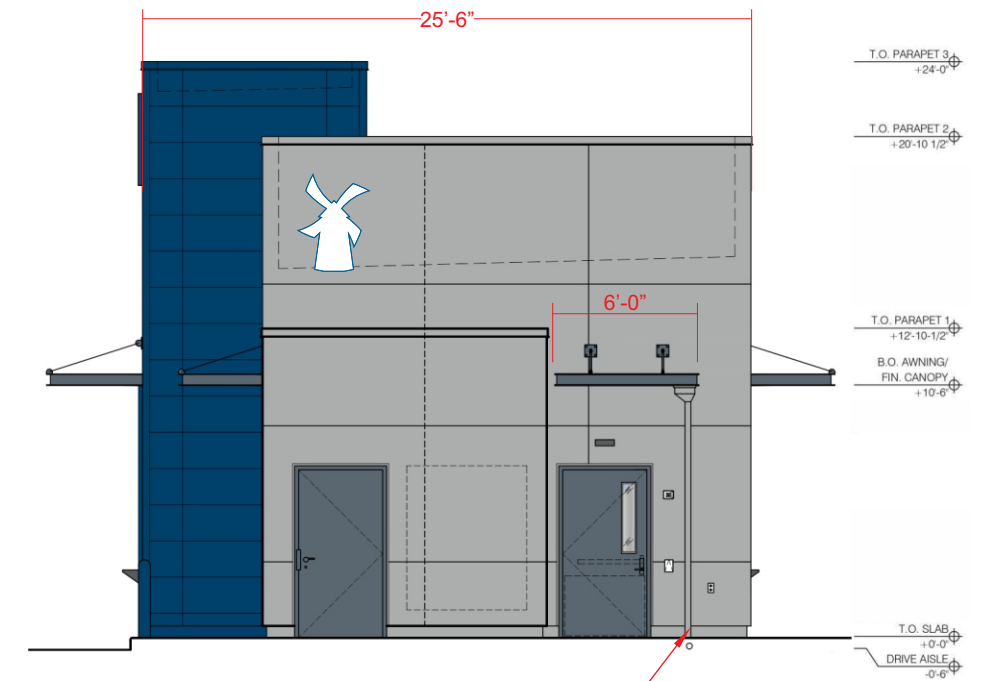
SALES: NJ

REVISIONS:  
1.30.24 Moved address  
from West.  
5.21.24 Changed building  
removing canopy and  
adding 18' awning.



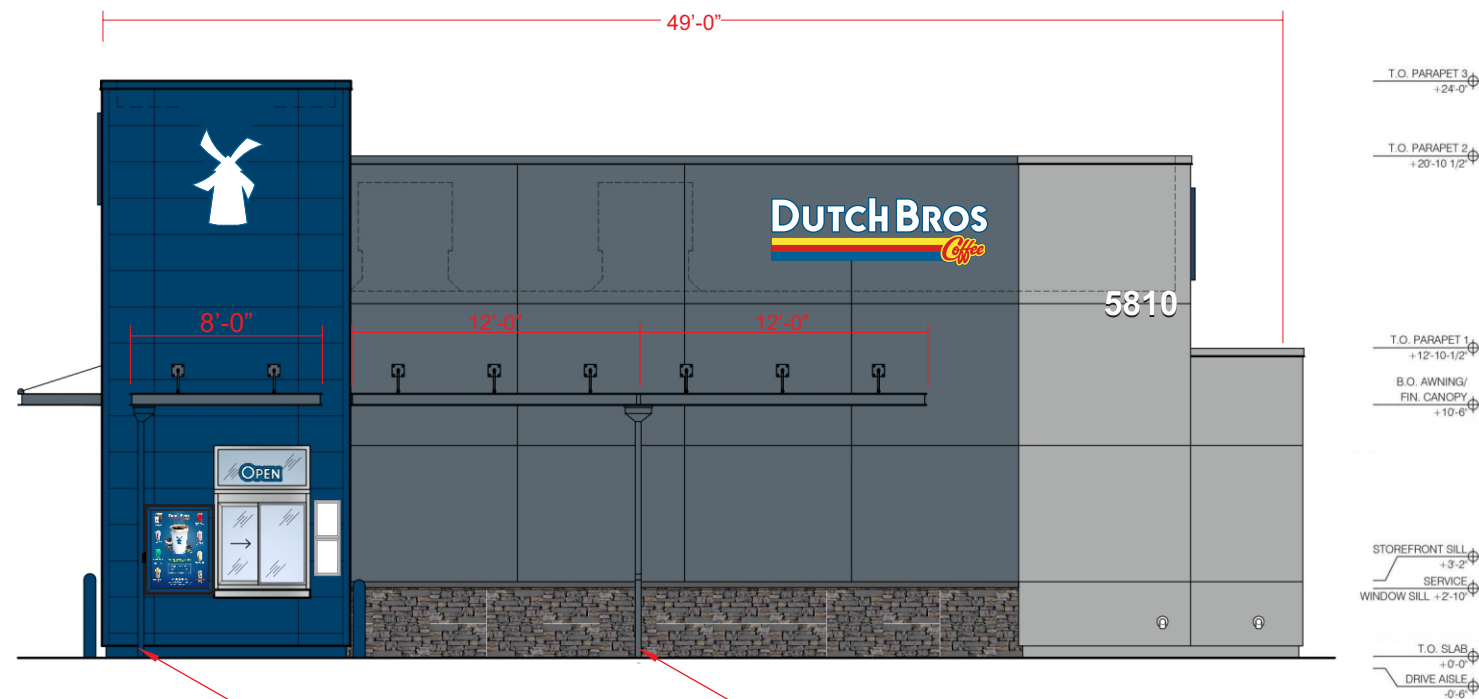
NORTH ELEVATION  
SCALE: 1/8"=1'-0"

DOWN SPOUT



EAST ELEVATION  
SCALE: 1/8"=1'-0"

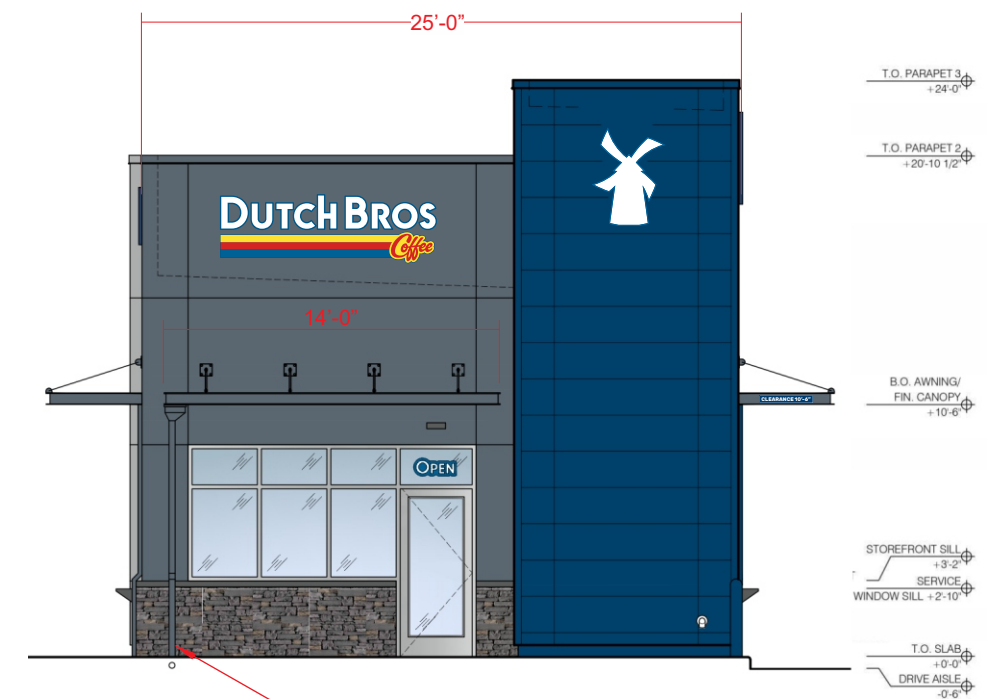
DOWN SPOUT



SOUTH ELEVATION  
SCALE: 1/8"=1'-0"

DOWN SPOUT

DOWN SPOUT



WEST ELEVATION  
SCALE: 1/8"=1'-0"

DOWN SPOUT

SCOPE OF WORK: MANUFACTURE & INSTALL (1) METAL AWNING



89975 Prairie Rd.  
Eugene, OR 97402  
541.485.5546 | esasigns.com

SHOP DRAWING #:  
**37013A**

CLIENT:  
Dutch Bros - CO0907  
5810 Omaha Blvd.  
Colorado Springs, CO

DATE OF SHOP DRAWING:  
**10/31/23**

PROD. DETAILS: CH

LEAD DESIGN: CH

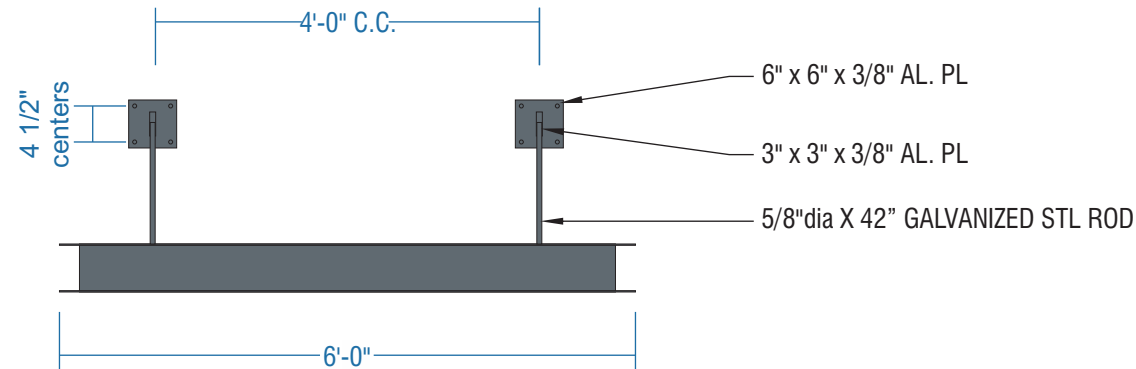
SALES: NJ

REVISIONS:

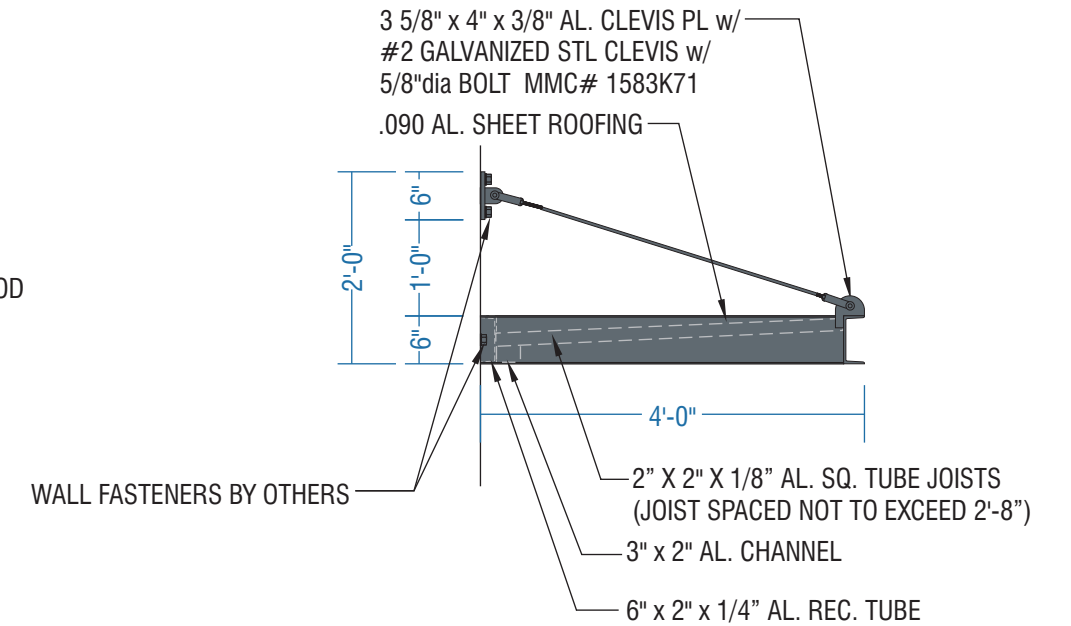
COLOR CODE

■ DB DARK GREY  
(PMS 431 C)

FRONT VIEW  
SCALE: 1/2" = 1'-0"



SIDE VIEW  
SCALE: 1/2" = 1'-0"



6" ALUMINUM C-CHANNEL FRONT & SIDES, WITH FLANGE POINTING OUT. (C6 x 2.83)

.090 ALUMINUM SHEET ROOFING MOUNTED INSIDE C-CHANNEL & DRAINAGE GUTTER CHANNEL SLOPED TOWARDS BUILDING.

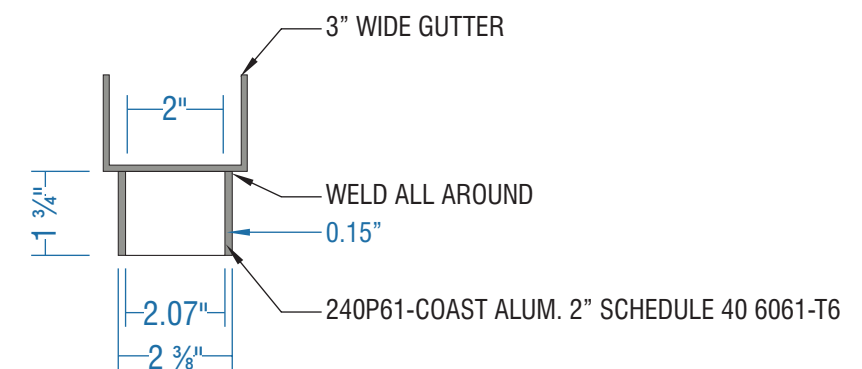
TURNBUCKLES, 5/8" GALVANIZED STEEL ROD SUPPORTS WITH #2 GALVANIZED STEEL CLEVIS & PIN

ATTACHED TO 6" X 6" X 3/8" ALUMINUM PLATE/BRACKET AT WALL.

PAINT ENTIRE CANOPY, BRACKETS, SUPPORTS DB CUSTOM DARK GREY.

INSTALLATION BY G.C.

DOWNSPOUT DETAIL  
SCALE: 3" = 1'-0"



SCOPE OF WORK: MANUFACTURE & INSTALL (1) METAL AWNING



89975 Prairie Rd.  
Eugene, OR 97402  
541.485.5546 | esasigns.com

SHOP DRAWING #:  
**37013B**

CLIENT:  
Dutch Bros - CO0907  
5810 Omaha Blvd.  
Colorado Springs, CO

DATE OF SHOP DRAWING:  
**10/31/23**

PROD. DETAILS: CH

LEAD DESIGN: CH

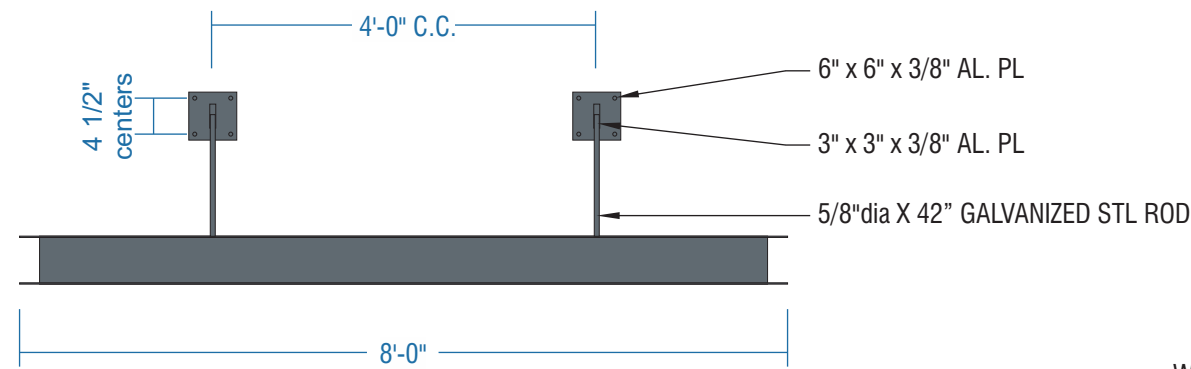
SALES: NJ

REVISIONS:

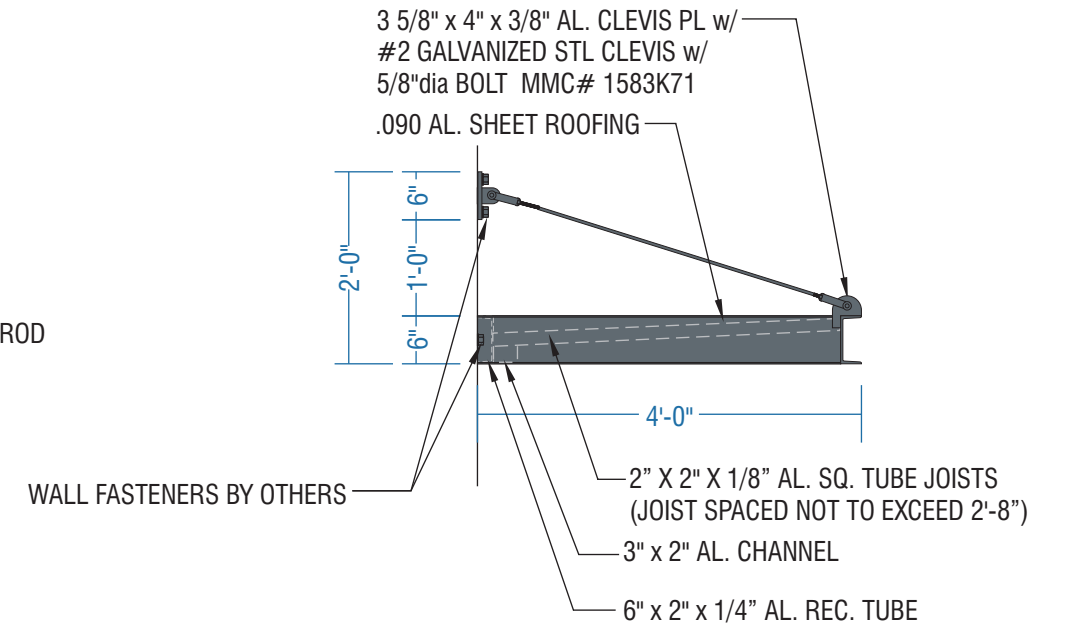
COLOR CODE

■ DB DARK GREY  
(PMS 431 C)

FRONT VIEW  
SCALE: 1/2" = 1'-0"



SIDE VIEW  
SCALE: 1/2" = 1'-0"



6" ALUMINUM C-CHANNEL FRONT & SIDES, WITH FLANGE POINTING OUT. (C6 x 2.83)

.090 ALUMINUM SHEET ROOFING MOUNTED INSIDE C-CHANNEL & DRAINAGE GUTTER CHANNEL SLOPED TOWARDS BUILDING.

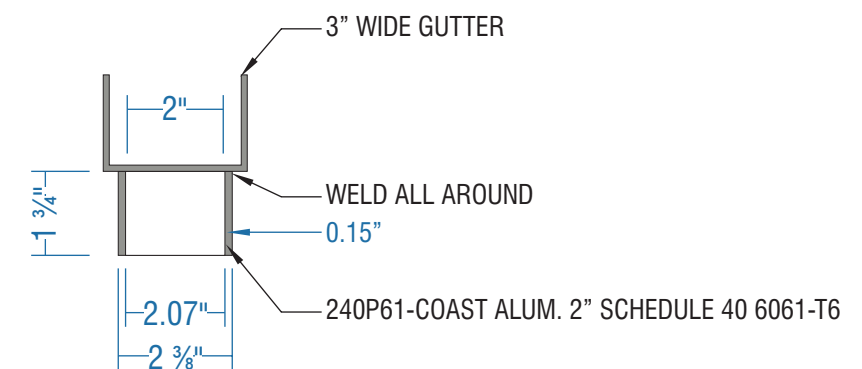
TURNBUCKLES, 5/8" GALVANIZED STEEL ROD SUPPORTS WITH #2 GALVANIZED STEEL CLEVIS & PIN

ATTACHED TO 6" X 6" X 3/8" ALUMINUM PLATE/BRACKET AT WALL.

PAINT ENTIRE CANOPY, BRACKETS, SUPPORTS DB CUSTOM DARK GREY.

INSTALLATION BY G.C.

DOWNSPOUT DETAIL  
SCALE: 3" = 1'-0"



SCOPE OF WORK: MANUFACTURE & INSTALL (2) METAL AWNINGS



89975 Prairie Rd.  
Eugene, OR 97402  
541.485.5546 | esasigns.com

SHOP DRAWING #:  
**37013C**

CLIENT:  
Dutch Bros - CO0907  
5810 Omaha Blvd.  
Colorado Springs, CO

DATE OF SHOP DRAWING:  
**10/31/23**

PROD. DETAILS: CH

LEAD DESIGN: CH

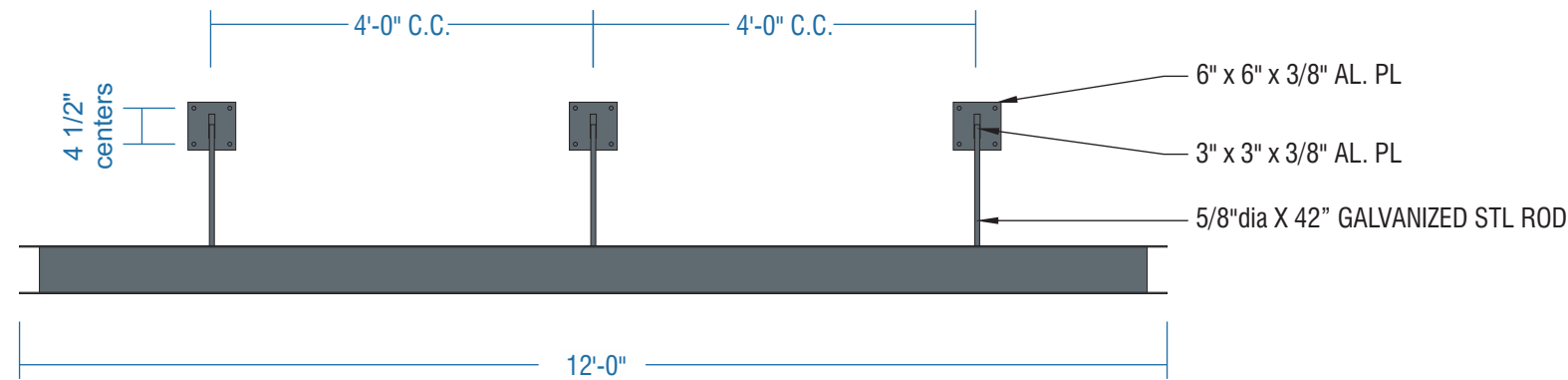
SALES: NJ

REVISIONS:

COLOR CODE

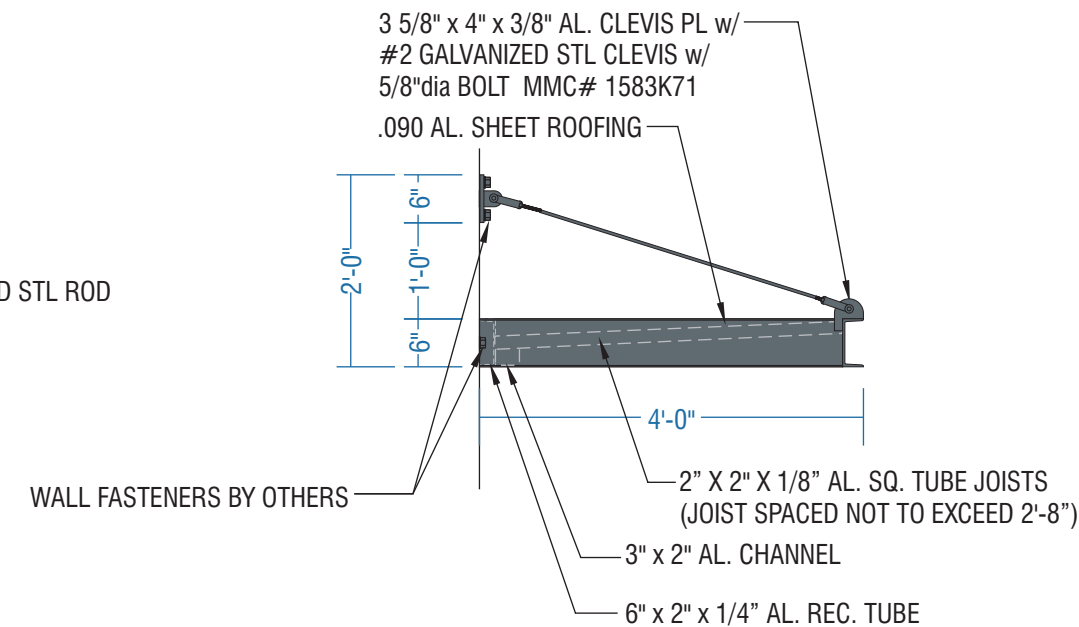
■ DB DARK GREY  
(PMS 431 C)

FRONT VIEW  
SCALE: 1/2" = 1'-0"

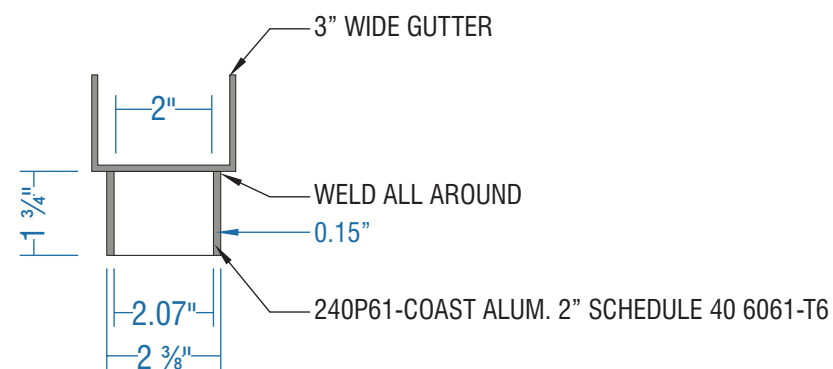


6" ALUMINUM C-CHANNEL FRONT & SIDES, WITH FLANGE POINTING OUT. (C6 x 2.83)  
.090 ALUMINUM SHEET ROOFING MOUNTED INSIDE C-CHANNEL & DRAINAGE GUTTER CHANNEL SLOPED TOWARDS BUILDING.  
TURNBUCKLES, 5/8" GALVANIZED STEEL ROD SUPPORTS WITH #2 GALVANIZED STEEL CLEVIS & PIN  
ATTACHED TO 6" X 6" X 3/8" ALUMINUM PLATE/BRACKET AT WALL.  
FABRICATED ALUMINUM .063 BREAK-FORMED RIDGE CAP FLASHING TO MOUNT WITH VHB & SILICONE OVER THE GAP BETWEEN CANOPIES.  
PAINT ENTIRE CANOPY, BRACKETS, SUPPORTS DB CUSTOM DARK GREY.  
INSTALLATION BY G.C.

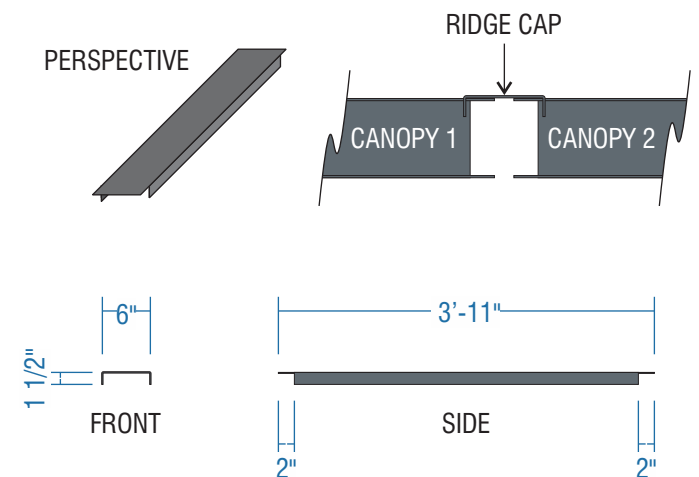
SIDE VIEW  
SCALE: 1/2" = 1'-0"



DOWNSPOUT DETAIL  
SCALE: 3" = 1'-0"



RIDGE CAP (QTY. 1)  
SCALE: 1/2" = 1'-0"



SCOPE OF WORK: MANUFACTURE & INSTALL (1) METAL AWNING



89975 Prairie Rd.  
Eugene, OR 97402  
541.485.5546 | esasigns.com

SHOP DRAWING #:  
**37013D**

CLIENT:  
Dutch Bros - CO0907  
5810 Omaha Blvd.  
Colorado Springs, CO

DATE OF SHOP DRAWING:  
**10/31/23**

PROD. DETAILS: CH

LEAD DESIGN: CH

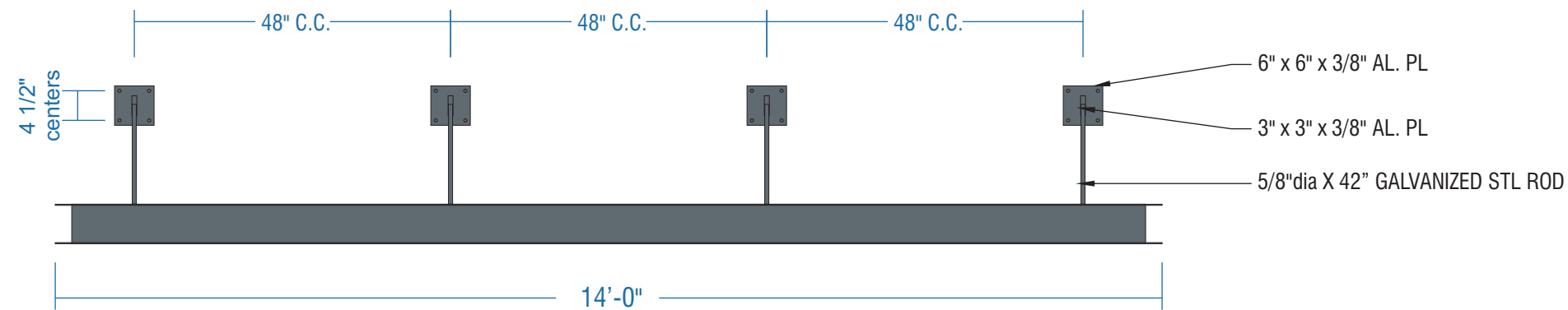
SALES: NJ

REVISIONS:

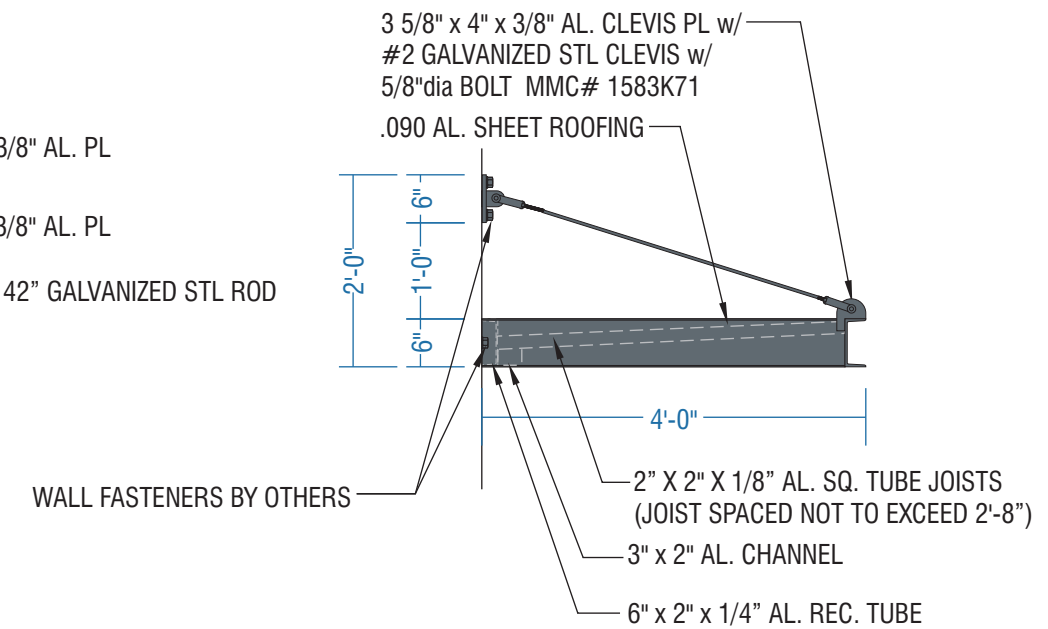
COLOR CODE

■ DB DARK GREY  
(PMS 431 C)

FRONT VIEW  
SCALE: 1/2" = 1'-0"



SIDE VIEW  
SCALE: 1/2" = 1'-0"



6" ALUMINUM C-CHANNEL FRONT & SIDES, WITH FLANGE POINTING OUT. (C6 x 2.83)

.090 ALUMINUM SHEET ROOFING MOUNTED INSIDE C-CHANNEL & DRAINAGE GUTTER CHANNEL SLOPED TOWARDS BUILDING.

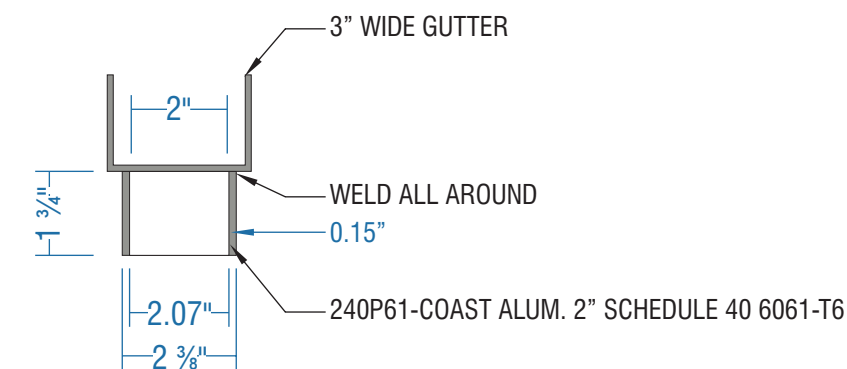
TURNBUCKLES, 5/8" GALVANIZED STEEL ROD SUPPORTS WITH #2 GALVANIZED STEEL CLEVIS & PIN

ATTACHED TO 6" X 6" X 3/8" ALUMINUM PLATE/BACKET AT WALL.

PAINT ENTIRE CANOPY, BRACKETS, SUPPORTS DB CUSTOM DARK GREY.

INSTALLATION BY G.C.

DOWNSPOUT DETAIL  
SCALE: 3" = 1'-0"



SCOPE OF WORK: MANUFACTURE & INSTALL (1) METAL AWNING



89975 Prairie Rd.  
Eugene, OR 97402  
541.485.5546 | esasigns.com

SHOP DRAWING #:  
**37013E**

CLIENT:  
Dutch Bros - CO0907  
5810 Omaha Blvd.  
Colorado Springs, CO

DATE OF SHOP DRAWING:  
**5/21/24**

PROD. DETAILS: CH

LEAD DESIGN: CH

SALES: NJ

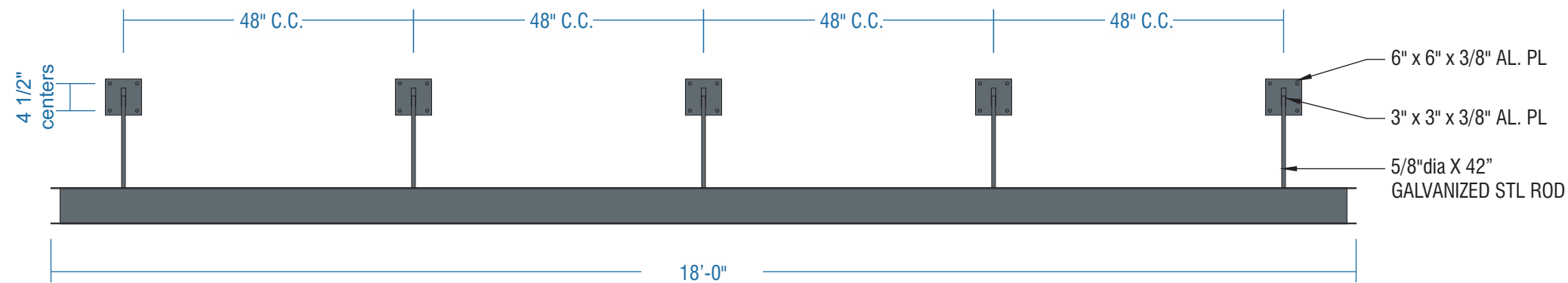
REVISIONS:

COLOR CODE

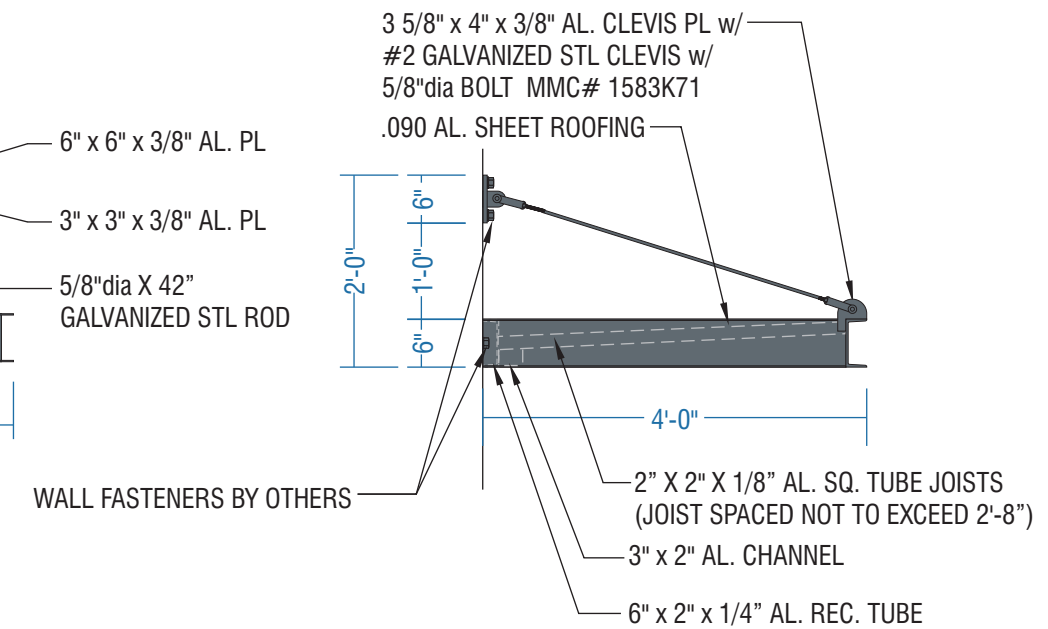
■ DB DARK GREY  
(PMS 431 C)

PAGE NO. 1 of 1

FRONT VIEW  
SCALE: 1/2" = 1'-0"



SIDE VIEW  
SCALE: 1/2" = 1'-0"



6" ALUMINUM C-CHANNEL FRONT & SIDES, WITH FLANGE POINTING OUT. (C6 x 2.83)  
.090 ALUMINUM SHEET ROOFING MOUNTED INSIDE C-CHANNEL & DRAINAGE GUTTER CHANNEL SLOPED TOWARDS BUILDING.  
TURNBUCKLES, 5/8" GALVANIZED STEEL ROD SUPPORTS WITH #2 GALVANIZED STEEL CLEVIS & PIN  
ATTACHED TO 6" X 6" X 3/8" ALUMINUM PLATE/BACKET AT WALL.  
PAINT ENTIRE CANOPY, BRACKETS, SUPPORTS DB CUSTOM DARK GREY.  
INSTALLATION BY G.C.

DOWNSPOUT DETAIL  
SCALE: 3" = 1'-0"

