

ALL DRAWINGS AND SPECIFICATIONS ARE THE PROPERTY OF THE ENGINEER OF RECORD. THEY ARE ONLY TO BE USED FOR THIS PROJECT AND ARE NOT TO BE USED ON ANY OTHER PROJECT WITHOUT WRITTEN AGREEMENT AND APPROPRIATE COMPENSATION TO THE ENGINEER OF RECORD.

Manufacturer	Symbol	Quantity	Manufacturer	Catalog Number	Description	Number of Lumens	Lumens Per Luminaire	Light Loss Factor	Wattage	Plot
A	□	12	Lithonia Lighting	DSX1 LED P7 40K 70CRI T3M	D-Series Size 1 Area Luminaire P7 Performance Package 4000K CCT 70 CRI Type 3 Medium	1	13763	0.9	103.37	Max: 155fc Min: 127fc Avg: 141fc
		6	Lithonia Lighting	WDGE1 LED P2 40K 80CRI R2	WDGE1 LED WITH P1 - PERFORMANCE PACKAGE, 4000K, 80CRI, VISA, COMPACT FORWARD OPTIC	1	1979	0.9	18.019	
B	□	4	Lithonia Lighting	WDGE1 LED P3 40K 80CRI T3M	WDGE1 LED WITH P1 - PERFORMANCE PACKAGE, 4000K, 80CRI, TYPE 3 MEDIUM	1	3629	0.9	32.319	Max: 137fc Min: 266fc

Description	Symbol	Avg	Max	Min	Max/Min	Avg/Min
Site	+	0.9 fc	10.0 fc	0.0 fc	N/A	N/A
Property Line + 20	+	0.0 fc	0.0 fc	0.0 fc	N/A	N/A

WDGE1 LED Architectural Wall Sconce

Specifications
 Depth (D1): 5.5"
 Depth (D2): 1.5"
 Height: 8"
 Width: 9"
 Weight: 9 lbs (optional)

Introduction
 The WDGE1 LED family is designed to meet specifier's every wall-mounted lighting need in a widely accepted shape that blends with any architecture. The clean, rectangular design comes in four sizes with lumen packages ranging from 1,200 to 25,000 lumens, providing true site-wide solution.

WDGE1 delivers up to 2,000 lumens with a soft, non-glare light source, creating a visually comfortable environment. The compact size of WDGE1, with its integrated emergency battery backup option, makes it an ideal over-the-door wall-mounted lighting solution.

Model	Depth (D1)	Depth (D2)	Height	Width	Lumens (LM)	LM/Ft	LM/Ft ²	LM/Ft ³	LM/Ft ⁴
WDGE1-L01	5.5"	1.5"	8"	9"	1,200	2,000	3,000	4,500	6,000
WDGE1-L02	5.5"	1.5"	8"	9"	3,000	5,000	7,500	11,250	15,000
WDGE1-L03	5.5"	1.5"	8"	9"	6,000	10,000	15,000	22,500	30,000
WDGE1-L04	5.5"	1.5"	8"	9"	12,000	20,000	30,000	45,000	60,000

Ordering Information
 EXAMPLE: WDGE1 LED P2 40K 80CRI V1 MVOLT SRM PE DDBXD

Series	Finish	Color Temperature	CRI	Beam Spread	Mounting	Options
WDGE1-L01	P1	27K	90	8°	Wall	SRM, PE, DDBXD
WDGE1-L01	P2	40K	80	8°	Wall	SRM, PE, DDBXD
WDGE1-L01	P3	40K	80	8°	Wall	SRM, PE, DDBXD
WDGE1-L01	P4	50K	80	8°	Wall	SRM, PE, DDBXD

Accessories
 DDBXD: Dark box
 SRM: Select dim base
 PE: Select pole
 DDBXD: Select dim base
 SRM: Select dim base
 PE: Select pole

D-Series Size 1 LED Area Luminaire

Specifications
 H1: 28.8"
 H2: 22.3"
 W: 36.3"
 L: 10.8"

Introduction
 The modern styling of the D-Series features a highly refined aesthetic that blends seamlessly with its environment. The D-Series offers the benefits of the latest in LED technology into a high performance, high efficiency, long life luminaire.

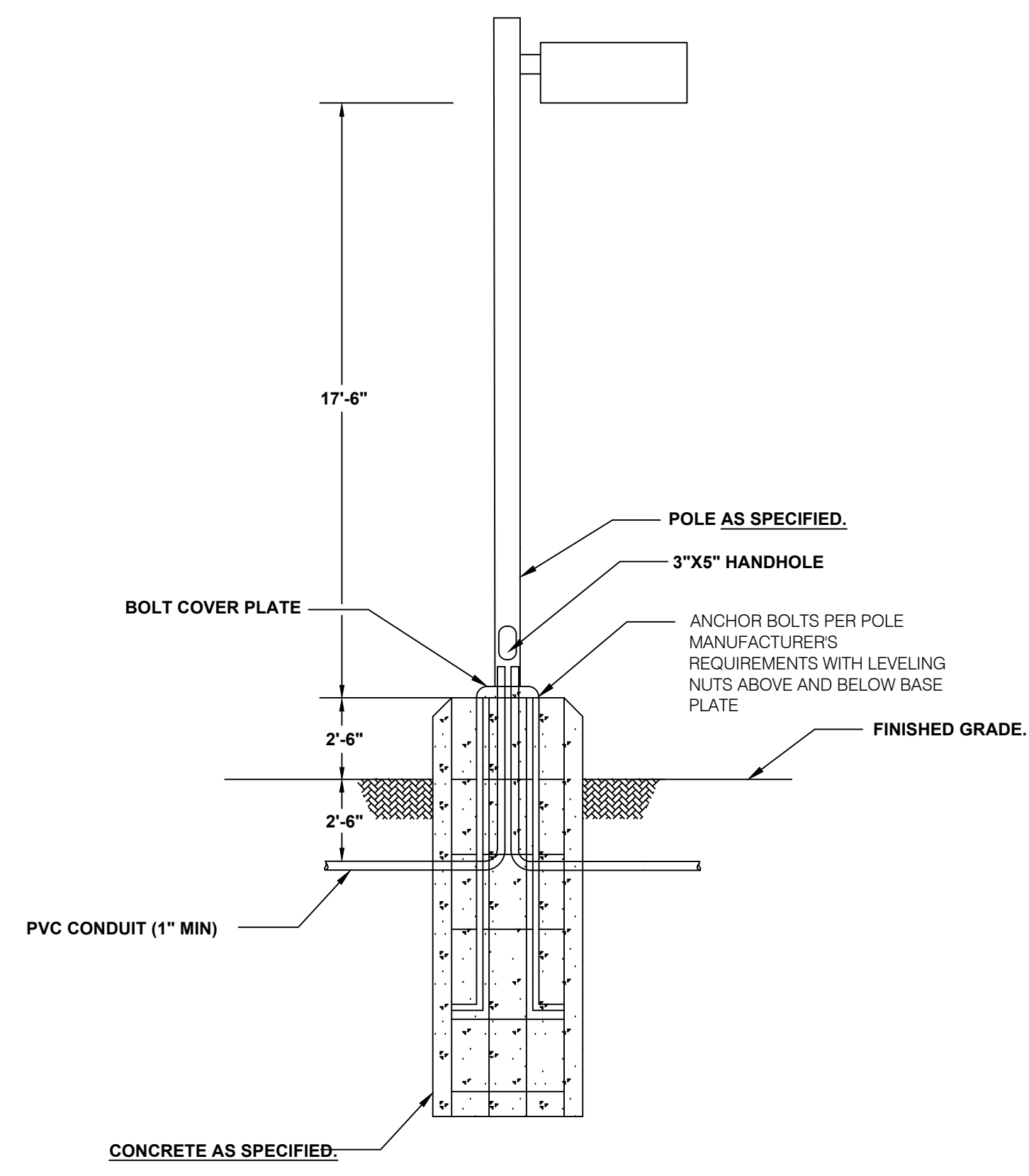
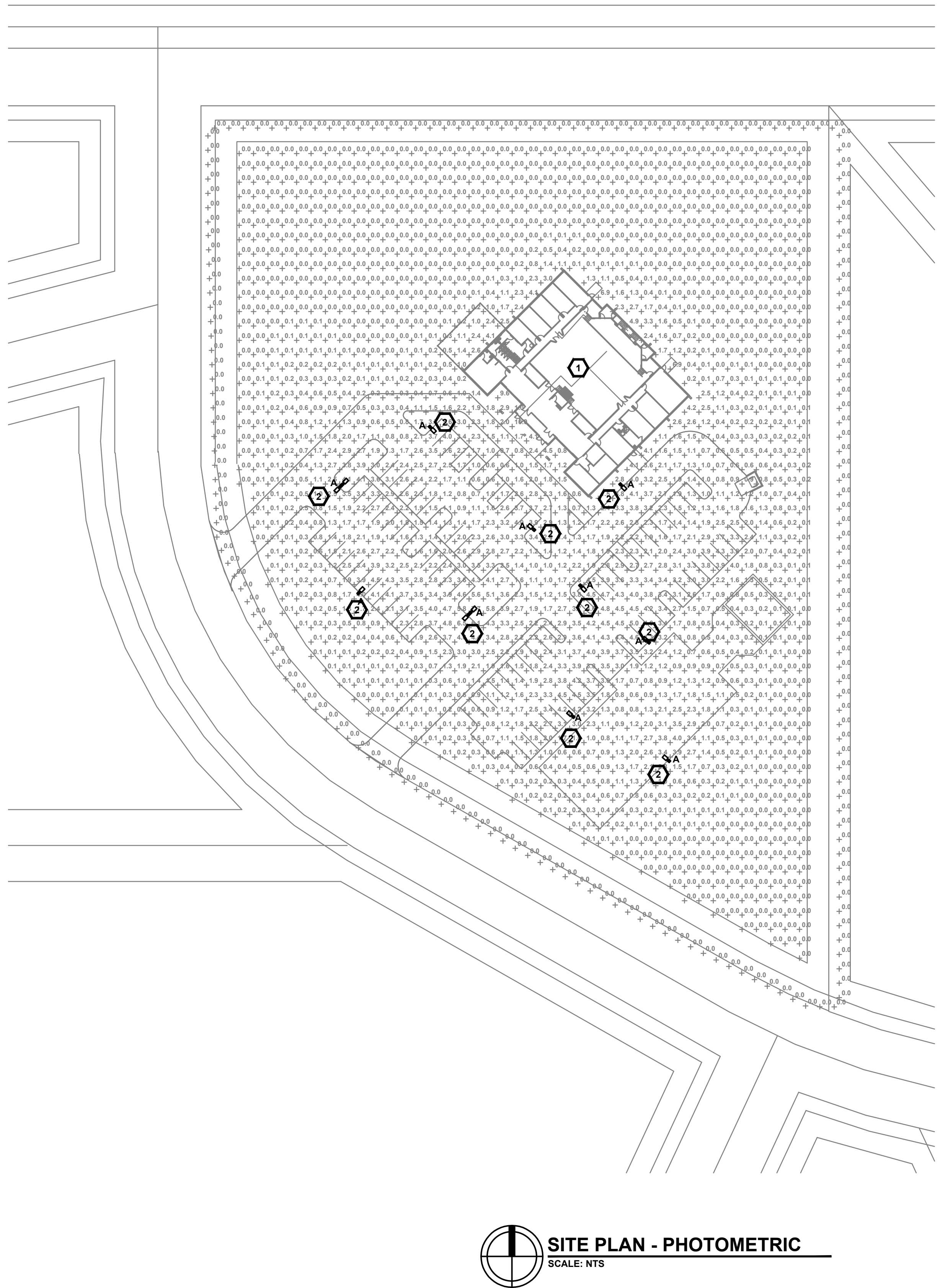
The photometric performance results in sites with excellent uniformity, greater pole spacing and lower power density. D-Series outstanding photometry aids in reducing the number of poles required in area lighting applications with typical energy savings of 40% and expected service life of over 100,000 hours.

Series	Finish	Color Temperature	CRI	Beam Spread	Mounting	Options
DSX1-L01	P1	27K	90	8°	Wall	SRM, PE, DDBXD
DSX1-L01	P2	40K	80	8°	Wall	SRM, PE, DDBXD
DSX1-L01	P3	40K	80	8°	Wall	SRM, PE, DDBXD
DSX1-L01	P4	50K	80	8°	Wall	SRM, PE, DDBXD

Ordering Information
 EXAMPLE: DSX1 LED P7 40K 70CRI T3M MVOLT SPA NLTAR2 P1RH DDBXD

Series	Finish	Color Temperature	CRI	Beam Spread	Mounting	Options
DSX1-L01	P1	27K	90	8°	Wall	SRM, PE, DDBXD
DSX1-L01	P2	40K	80	8°	Wall	SRM, PE, DDBXD
DSX1-L01	P3	40K	80	8°	Wall	SRM, PE, DDBXD
DSX1-L01	P4	50K	80	8°	Wall	SRM, PE, DDBXD

Accessories
 DDBXD: Dark box
 SRM: Select dim base
 PE: Select pole
 DDBXD: Select dim base
 SRM: Select dim base
 PE: Select pole



- ### GENERAL NOTES
- DRAWINGS ARE BASED ON RECORD DRAWINGS (NOT GUARANTEED TO BE CURRENT AT TIME OF CONSTRUCTION) AND FIELD INVESTIGATION WITH DEMOLITION. EXAMINE PLANS AND VISIT THE SITE TO FIELD VERIFY ACTUAL CONDITIONS AND COORDINATE SAME WITH OTHER TRADES PRIOR TO STARTING WORK.
 - A LICENSED AND BONDED CONTRACTOR SHALL BE USED FOR INSTALLATION. ALL LOCAL CODES SHALL BE FOLLOWED DURING INSTALLATION.
 - ALL LIGHTING FIXTURES SHALL BE FULL CUT-OFF OR HAVE SHIELDING TO REDUCE OFF-SITE LIGHTING IMPACTS ONTO ADJACENT PROPERTIES AND ROADWAYS. ALL EXTERIOR LIGHTING SHALL BE ARRANGED TO MITIGATE LIGHT DIRECTED AWAY FROM ADJACENT PROPERTIES AND ANY PUBLIC RIGHT-OF-WAY. AN AMENDMENT TO THIS PLAN MAY BE REQUIRED IF THE LIGHTING TYPE IS CHANGED.
 - A FINAL COMMISSIONING REPORT SHALL BE DELIVERED TO THE BUILDING OWNER PER SECTION C408.2.5 OF THE 2021 IECC.

- ### KEYNOTES
- LIGHTING FOR THE WALKWAYS WILL BE PROVIDED BY WALL-MOUNTED DOWN CASTING FIXTURES LOCATED ON PROPOSED BUILDING. FINAL LOCATION TO BE DETERMINED DURING BUILDING DESIGN.
 - EXTERIOR LIGHTING, EXCEPT SECURITY LIGHTING, WILL BE CONTROLLED BY A TIME CLOCK TO BE TURNED OFF DURING NON-OPERATING HOURS.

ENGINEER SEAL:

10186 MT. LINCOLN DR. PEYTON, CO 80831
 INFO@CHIARTANOEG.COM
 719.257.2091

NOR'WOOD BIBLE CHURCH SADDLEHORN RANCH EL PASO COUNTY, CO

NO.	REVISION	DATE

PROJECT NO: 23-0450
 DRAWN BY: MPC
 CHECKED BY: MPC
 DATE: 10/16/2023

SHEET CONTENTS:

PHOTOMETRIC PLAN

SHEET NUMBER:

E100A