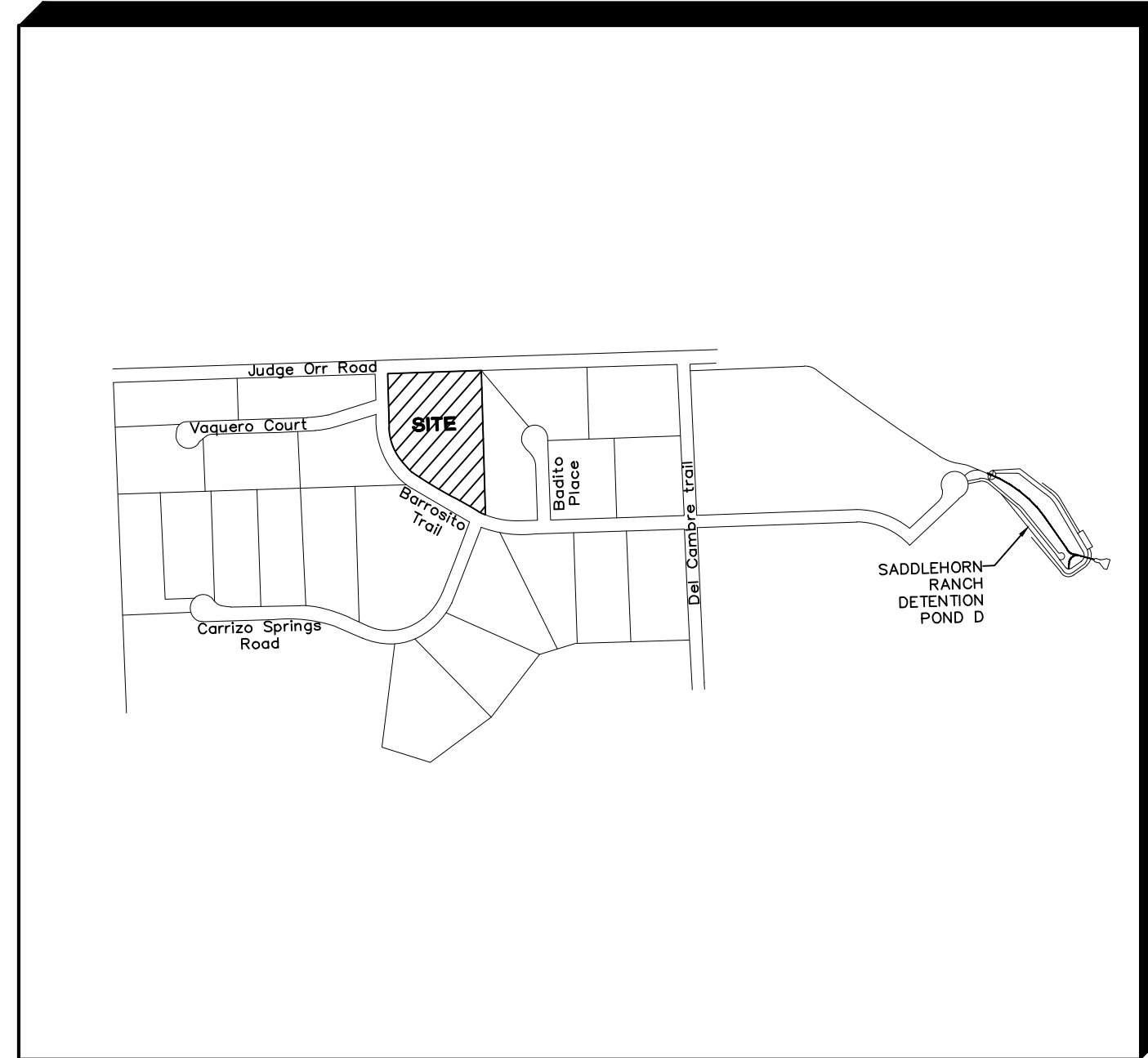


# NOR'WOOD BIBLE CHURCH

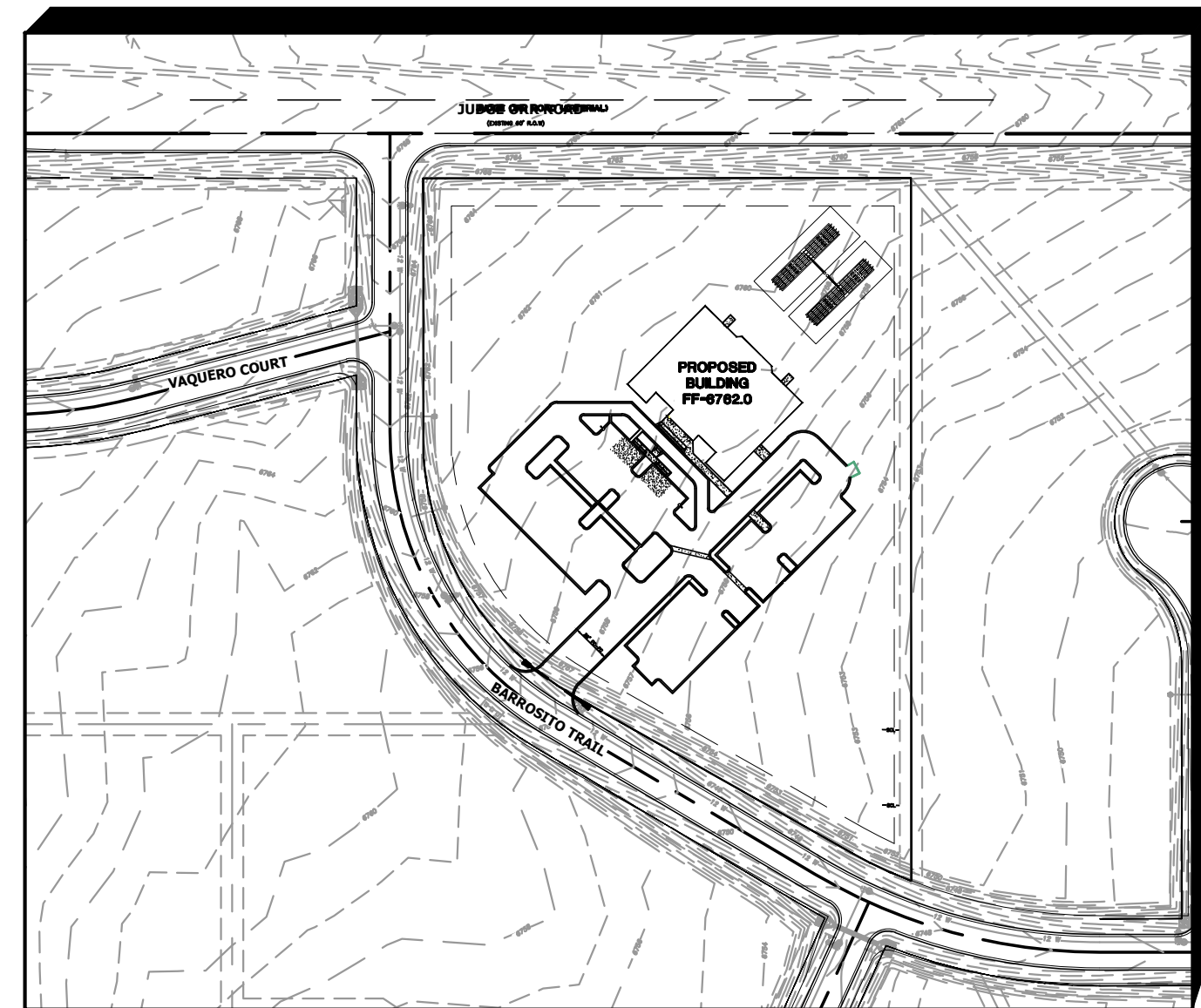
## LOT 38, SADDLEHORN RANCH FILING 3

### Grading & Erosion Control Plans

#### El Paso County, Colorado



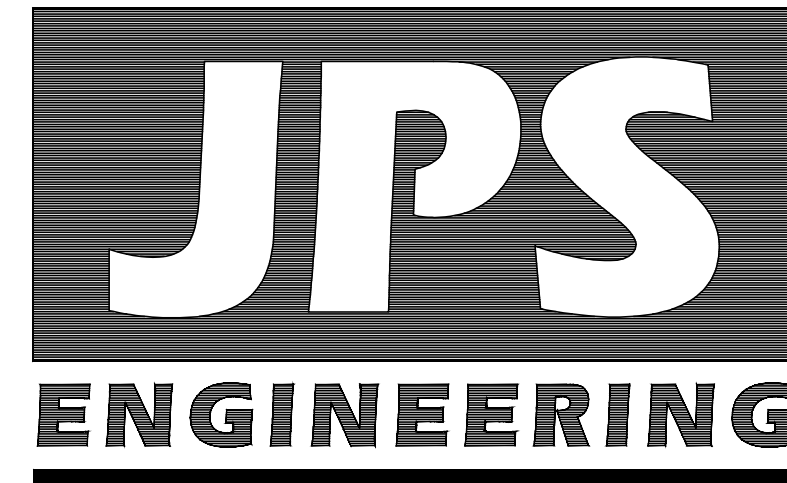
VICINITY MAP  
SCALE 1"=700'  
(24"X36" SHEET)



SITE MAP  
SCALE 1"=150'  
(24"X36" SHEET)

PREPARED FOR:  
**ROI PROPERTY GROUP, LLC**  
2495 Rigdon Street  
Napa, CA 94558

PREPARED BY:



19 East Willamette Avenue  
Colorado Springs, Colorado 80909  
May, 2024

#### AGENCIES/CONTACTS

DEVELOPER:	ROI PROPERTY GROUP, LLC 2495 RIGDON STREET NAPA, CA 94558 MR. NATHAN STEELE (949) 609-9492	WATER/WASTEWATER:	SADDLEHORN RANCH METROPOLITAN DISTRICT 614 N. TEJON STREET COLORADO SPRINGS, CO 80903 (719) 447-1777
CIVIL ENGINEER:	JPS ENGINEERING, INC. 19 E. WILLAMETTE AVENUE COLORADO SPRINGS, CO 80903 MR. JOHN P. SCHWAB, P.E. (719)477-9429	GAS DEPARTMENT:	BLACK HILLS ENERGY MR. SEBASTIAN SCHWENDER (719)399-3176
LOCAL ROADS & DRAINAGE:	EL PASO COUNTY PCD 2880 INTERNATIONAL CIRCLE COLORADO SPRINGS, CO 80910 (719)520-6300	ELECTRIC DEPARTMENT:	MOUNTAIN VIEW ELECTRIC ASSOCIATION 11140 E. WOODMEN ROAD COLORADO SPRINGS, CO 80908 MR. DAVE WALDNER (719)495-2283
		TELEPHONE COMPANY:	CENTURY LINK COMMUNICATIONS (LOCATORS) (800)922-1987  A.T. & T. (LOCATORS) (719)635-3674

#### GEC PLAN SHEET INDEX

C1.0	GEC PLAN TITLE SHEET
G2.0	GENERAL NOTES & LEGEND
C1.1	SITE GRADING & EROSION CONTROL PLAN
C1.2	CIVIL DETAILS
C2.1	BUILDING AREA GRADING PLAN
C3.1	CIVIL & EROSION CONTROL NOTES & DETAILS
C3.2	EROSION CONTROL DETAILS

#### ENGINEER:

##### DESIGN ENGINEER'S STATEMENT:

THIS GRADING AND EROSION CONTROL PLAN WAS PREPARED UNDER MY DIRECTION AND IS CORRECT TO THE BEST OF MY KNOWLEDGE AND BELIEF. SAID PLAN HAS BEEN PREPARED ACCORDING TO THE CRITERIA ESTABLISHED BY THE COUNTY FOR GRADING AND EROSION CONTROL PLANS. I ACCEPT RESPONSIBILITY FOR LIABILITY CAUSED BY NEGLIGENT ACTS, ERRORS OR OMISSIONS ON MY PART IN PREPARING THIS PLAN.

John P. Schwab  
JOHN P. SCHWAB, P.E. #29891  
5/9/24  
DATE

##### OWNER/DEVELOPER'S STATEMENT:

I, THE OWNER/DEVELOPER HAVE READ AND WILL COMPLY WITH THE REQUIREMENTS OF THE GRADING AND EROSION CONTROL PLAN.

OWNER SIGNATURE \_\_\_\_\_ DATE \_\_\_\_\_

NAME: ROI PROPERTY GROUP, LLC  
ADDRESS: 2495 RIGDON STREET,  
NAPA, CA 94558  
PHONE: (949) 609-9492 EMAIL: nathan.steele@roipropertygroup.com

##### EL PASO COUNTY:

COUNTY PLAN REVIEW IS PROVIDED ONLY FOR GENERAL CONFORMANCE WITH COUNTY DESIGN CRITERIA. THE COUNTY IS NOT RESPONSIBLE FOR THE ACCURACY AND ADEQUACY OF THE DESIGN, DIMENSIONS, AND/OR ELEVATIONS WHICH SHALL BE CONFIRMED AT THE JOB SITE. THE COUNTY THROUGH THE APPROVAL OF THIS DOCUMENT ASSUMES NO RESPONSIBILITY FOR COMPLETENESS AND/OR ACCURACY OF THIS DOCUMENT.

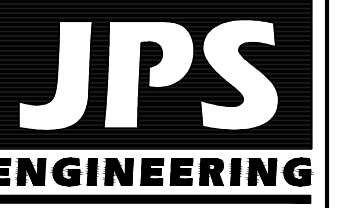
FILED IN ACCORDANCE WITH THE REQUIREMENTS OF THE EL PASO COUNTY LAND DEVELOPMENT CODE, DRAINAGE CRITERIA MANUAL, VOLUMES 1 AND 2, AND ENGINEERING CRITERIA MANUAL AS AMENDED.

IN ACCORDANCE WITH ECM SECTION 1.12, THESE CONSTRUCTION DOCUMENTS WILL BE VALID FOR CONSTRUCTION FOR A PERIOD OF 2 YEARS FROM THE DATE SIGNED BY THE EL PASO COUNTY ENGINEER. IF CONSTRUCTION HAS NOT STARTED WITHIN THOSE 2 YEARS, THEY WILL NEED TO BE RESUBMITTED FOR APPROVAL, INCLUDING PAYMENT OF REVIEW FEES AT THE PLANNING AND COMMUNITY DEVELOPMENT DIRECTOR'S DISCRETION.

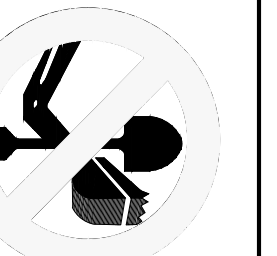
JOSHUA PALMER, P.E.,  
COUNTY ENGINEER / ECM ADMINISTRATOR  
DATE \_\_\_\_\_



**BENCHMARK**  
THE VERTICAL DATUM IS BASED OFF AN OPUS SOLUTION RAN ON CONTROL POINT #100 (NO. 4 REBAR) AND IS ADJUSTED TO NGVD 1929, ELEVATION 6754.61



19 E. Willamette Ave.  
Colorado Springs, CO  
80903  
PH: 719-477-9429  
FAX: 719-471-0766  
www.jpsengr.com



CALL UTILITY NOTIFICATION  
CENTER OF COLORADO  
1-800-922-1987  
CALL 2-BUSINESS DAYS IN ADVANCE  
BEFORE YOU DIG, GRADE, OR EXCAVATE  
FOR THE MARKING OF UNDERGROUND  
MEMBER UTILITIES.

NOR'WOOD BIBLE CHURCH  
LOT 38, SADDLEHORN RANCH FILING NO. 3

GEC PLAN  
TITLE SHEET

HORZ. SCALE:	N/A	DRAWN:	PV
VERT. SCALE:	N/A	DESIGNED:	JPS
SURVEYED:	JR	CHECKED:	JPS
CREATED:	08/29/22	LAST MODIFIED:	05/09/24
PROJECT NO:	042303	MODIFIED BY:	PV
SHEET:	C1.0		

PCD FILE NO. PPR2346

**COUNTY GENERAL NOTES:**

- ALL DRAINAGE AND ROADWAY CONSTRUCTION SHALL MEET THE STANDARDS AND SPECIFICATIONS OF THE CITY OF COLORADO SPRINGS/EL PASO COUNTY DRAINAGE CRITERIA MANUAL, VOLUMES 1 AND 2, AND THE EL PASO COUNTY ENGINEERING CRITERIA MANUAL.
- CONTRACTOR SHALL BE RESPONSIBLE FOR THE NOTIFICATION AND FIELD LOCATION OF ALL EXISTING UTILITIES, WHETHER SHOWN ON THE PLANS OR NOT, BEFORE BEGINNING CONSTRUCTION. LOCATION OF EXISTING UTILITIES SHALL BE VERIFIED BY THE CONTRACTOR PRIOR TO CONSTRUCTION. CALL 811 TO CONTACT THE UTILITY NOTIFICATION CENTER OF COLORADO (UNCC).
- CONTRACTOR SHALL KEEP A COPY OF THESE APPROVED PLANS, THE GRADING AND EROSION CONTROL PLAN, THE STORMWATER MANAGEMENT PLAN (SWMP), THE SOILS AND GEOTECHNICAL REPORT, AND THE APPROPRIATE DESIGN AND CONSTRUCTION STANDARDS AND SPECIFICATIONS AT THE JOB SITE AT ALL TIMES, INCLUDING THE FOLLOWING:
  - EL PASO COUNTY ENGINEERING CRITERIA MANUAL (ECM)
  - CITY OF COLORADO SPRINGS/EL PASO COUNTY DRAINAGE CRITERIA MANUAL, VOLUMES 1 AND 2
  - COLORADO DEPARTMENT OF TRANSPORTATION (CDOT) STANDARD SPECIFICATIONS FOR ROAD AND BRIDGE CONSTRUCTION
  - CDOT M & S STANDARDS
- NOTWITHSTANDING ANYTHING DEPICTED IN THESE PLANS IN WORDS OR GRAPHIC REPRESENTATION, ALL DESIGN AND CONSTRUCTION RELATED TO ROADS, STORM DRAINAGE AND EROSION CONTROL SHALL CONFORM TO THE STANDARDS AND REQUIREMENTS OF THE MOST RECENT VERSION OF THE RELEVANT ADOPTED EL PASO COUNTY STANDARDS, INCLUDING THE LAND DEVELOPMENT CODE, THE DRAINAGE CRITERIA MANUAL, AND THE DRAINAGE CRITERIA MANUAL VOLUME 2. ANY DEVIATIONS FROM REGULATIONS AND STANDARDS MUST BE REQUESTED, AND APPROVED, IN WRITING. ANY MODIFICATIONS NECESSARY TO MEET CRITERIA AFTER-THE-FACT WILL BE ENTIRELY THE DEVELOPER'S RESPONSIBILITY TO RECTIFY.
- IT IS THE DESIGN ENGINEER'S RESPONSIBILITY TO ACCURATELY SHOW EXISTING CONDITIONS, BOTH ONSITE AND OFFSITE, ON THE CONSTRUCTION PLANS. ANY MODIFICATIONS NECESSARY DUE TO CONFLICTS, OMISSIONS, OR CHANGED CONDITIONS WILL BE ENTIRELY THE DEVELOPER'S RESPONSIBILITY TO RECTIFY.
- CONTRACTOR SHALL SCHEDULE A PRE-CONSTRUCTION MEETING WITH EL PASO COUNTY PLANNING AND COMMUNITY DEVELOPMENT (PCD) - INSPECTIONS, PRIOR TO STARTING CONSTRUCTION.
- IT IS THE CONTRACTOR'S RESPONSIBILITY TO UNDERSTAND THE REQUIREMENTS OF ALL JURISDICTIONAL AGENCIES AND TO OBTAIN ALL REQUIRED PERMITS, INCLUDING BUT NOT LIMITED TO EL PASO COUNTY EROSION AND STORMWATER QUALITY CONTROL PERMIT (ESQCP), REGIONAL BUILDING FLOODPLAIN DEVELOPMENT PERMIT, U.S. ARMY CORPS OF ENGINEERS-ISSUED 401 AND/OR 404 PERMITS, AND COUNTY AND STATE FUGITIVE DUST PERMITS.
- CONTRACTOR SHALL NOT DEVIATE FROM THE PLANS WITHOUT FIRST OBTAINING WRITTEN APPROVAL FROM THE DESIGN ENGINEER AND PCD. CONTRACTOR SHALL NOTIFY THE DESIGN ENGINEER IMMEDIATELY UPON DISCOVERY OF ANY ERRORS OR INCONSISTENCIES.
- ALL STORM DRAIN PIPE SHALL BE CLASS III RCP WITH CLASS B BEDDING UNLESS OTHERWISE NOTED AND APPROVED BY PCD.
- CONTRACTOR SHALL COORDINATE GEOTECHNICAL TESTING PER ECM STANDARDS. PAVEMENT DESIGN SHALL BE APPROVED BY EL PASO COUNTY PCD PRIOR TO PLACEMENT OF CURB AND GUTTER AND PAVEMENT.
- ALL CONSTRUCTION TRAFFIC MUST ENTER/EXIT THE SITE AT APPROVED CONSTRUCTION ACCESS POINTS.
- SIGHT VISIBILITY TRIANGLES AS IDENTIFIED IN THE PLANS SHALL BE PROVIDED AT ALL INTERSECTIONS. OBSTRUCTIONS GREATER THAN 18 INCHES ABOVE FLOWLINE ARE NOT ALLOWED WITHIN SIGHT TRIANGLES.
- SIGNING AND STRIPING SHALL COMPLY WITH EL PASO COUNTY DPW (DEPT. OF PUBLIC WORKS) AND MUTCD CRITERIA.
- CONTRACTOR SHALL OBTAIN ANY PERMITS REQUIRED BY EL PASO COUNTY DPW, INCLUDING WORK WITHIN THE RIGHT-OF-WAY AND SPECIAL TRANSPORT PERMITS.
- THE LIMITS OF CONSTRUCTION SHALL REMAIN WITHIN THE PROPERTY LINE UNLESS OTHERWISE NOTED. THE OWNER/DEVELOPER SHALL OBTAIN WRITTEN PERMISSION AND EASEMENTS, WHERE REQUIRED, FROM ADJOINING PROPERTY OWNER(S) PRIOR TO ANY OFF-SITE DISTURBANCE, GRADING, OR CONSTRUCTION.
- EL PASO COUNTY DOES NOT OWN AND IS NOT RESPONSIBLE FOR THE UNDERDRAINS OR GROUNDWATER DISCHARGE SYSTEMS SHOWN ON THESE PLANS AND ASSUMES NO LIABILITY FOR WATER RIGHTS ADMINISTRATION BY APPROVING THESE PLANS. MAINTAINANCE AND WATER RIGHTS ARE THE RESPONSIBILITY OF THE DEVELOPER AND SADDLEHORN METROPOLITAN DISTRICT.

**GENERAL DRAINAGE NOTES:**

- INDIVIDUAL BUILDERS SHALL PROVIDE POSITIVE DRAINAGE AWAY FROM STRUCTURES AND ACCOUNT FOR POTENTIAL CROSS-LOT DRAINAGE IMPACTS WITHIN EACH LOT.
- BUILDERS AND PROPERTY OWNERS SHALL IMPLEMENT & MAINTAIN EROSION CONTROL BEST MANAGEMENT PRACTICES FOR PROTECTION OF DOWNSTREAM PROPERTIES AND FACILITIES INCLUDING PROTECTION OF EXISTING GRASS BUFFER STRIPS ALONG THE DOWNSTREAM PROPERTY BOUNDARIES.
- GRADING AND DRAINAGE WITHIN LOTS IS THE RESPONSIBILITY OF THE INDIVIDUAL BUILDERS AND PROPERTY OWNERS.

**COUNTY SIGNING AND STRIPING NOTES:**

- ALL SIGNS AND PAVEMENT MARKINGS SHALL BE IN COMPLIANCE WITH THE CURRENT MANUAL ON UNIFORM TRAFFIC CONTROL DEVICES (MUTCD).
- REMOVAL OF EXISTING PAVEMENT MARKINGS SHALL BE ACCOMPLISHED BY A METHOD THAT DOES NOT MATERIALLY DAMAGE THE PAVEMENT. THE PAVEMENT MARKINGS SHALL BE REMOVED TO THE EXTENT THAT THEY WILL NOT BE VISIBLE UNDER DAY OR NIGHT CONDITIONS. AT NO TIME WILL IT BE ACCEPTABLE TO PAINT OVER EXISTING PAVEMENT MARKINGS.
- ANY DEVIATION FROM THE STRIPING AND SIGNING PLAN SHALL BE APPROVED BY EL PASO COUNTY.
- ALL SIGNS SHOWN ON THE SIGNING AND STRIPING PLAN SHALL BE NEW SIGNS. EXISTING SIGNS MAY REMAIN OR BE REUSED IF THEY MEET CURRENT EL PASO COUNTY AND MUTCD STANDARDS.
- STREET NAME AND REGULATORY STOP SIGNS SHALL BE ON THE SAME POST AT INTERSECTIONS.
- ALL REMOVED SIGNS SHALL BE DISPOSED OF IN A PROPER MANNER BY THE CONTRACTOR.
- ALL STREET NAME SIGNS SHALL HAVE "D" SERIES LETTERS, WITH LOCAL ROADWAY SIGNS BEING 4" UPPER-LOWER CASE LETTERING ON 8" BLANK AND NON-LOCAL ROADWAY SIGNS BEING 6" LETTERING, UPPER-LOWER CASE ON 12" BLANK, WITH WHITE BORDER THAT IS NOT RECESSED. MULTI-LANE ROADWAYS WITH SPEED LIMITS OF 40 MPH OR HIGHER SHALL HAVE 8" UPPER-LOWER CASE LETTERING ON 18" BLANK WITH A WHITE BORDER THAT IS NOT RECESSED. THE WIDTH OF THE NON-RECESSED WHITE BORDERS SHALL MATCH PAGE 255 OF THE 2012 MUTCD "STANDARD HIGHWAY SIGNS".
- ALL TRAFFIC SIGNS SHALL HAVE A MINIMUM HIGH INTENSITY PRISMATIC GRADE SHEETING.
- ALL LOCAL RESIDENTIAL STREET SIGNS SHALL BE MOUNTED ON A 1.75" X 1.75" SQUARE TUBE SIGN POST AND STUB POST BASE. FOR OTHER APPLICATIONS, REFER TO THE CDOT STANDARD S-614-8 REGARDING USE OF THE P2 TUBULAR STEEL POST SLIPBASE DESIGN.
- ALL SIGNS SHALL BE SINGLE SHEET ALUMINUM WITH 0.100" MINIMUM THICKNESS.
- ALL LIMIT LINES/STOP LINES, CROSSWALK LINES, PAVEMENT LEGENDS, AND ARROWS SHALL BE A MINIMUM 125 MIL THICKNESS PREFORMED THERMOPLASTIC PAVEMENT MARKINGS WITH TAPERED LEADING EDGES PER CDOT STANDARD S-627-1. WORD AND SYMBOL MARKINGS SHALL BE THE NARROW TYPE. STOP BARS SHALL BE 24" IN WIDTH. CROSSWALKS LINES SHALL BE 12" WIDE AND 8' LONG PER CDOT S-627-1.
- ALL LONGITUDINAL LINES SHALL BE A MINIMUM 15ML THICKNESS EPOXY PAINT. ALL NON-LOCAL RESIDENTIAL ROADWAYS SHALL INCLUDE BOTH RIGHT AND LEFT EDGE LINE STRIPING AND ANY ADDITIONAL STRIPING AS REQUIRED BY CDOT S-627-1.
- THE CONTRACTOR SHALL NOTIFY EL PASO COUNTY (719) 520-6819 PRIOR TO AND UPON COMPLETION OF SIGNING AND STRIPING.
- THE CONTRACTOR SHALL OBTAIN A WORK IN THE RIGHT OF WAY PERMIT FROM THE EL PASO COUNTY DEPARTMENT OF PUBLIC WORKS PRIOR TO ANY SIGNAGE OR STRIPING WORK WITHIN AN EXISTING EL PASO COUNTY ROADWAY.

**PROJECT GENERAL CIVIL NOTES:**

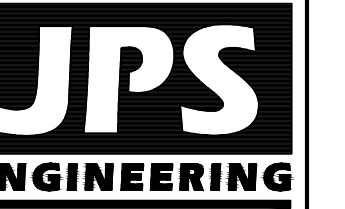
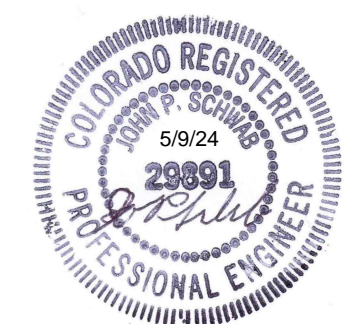
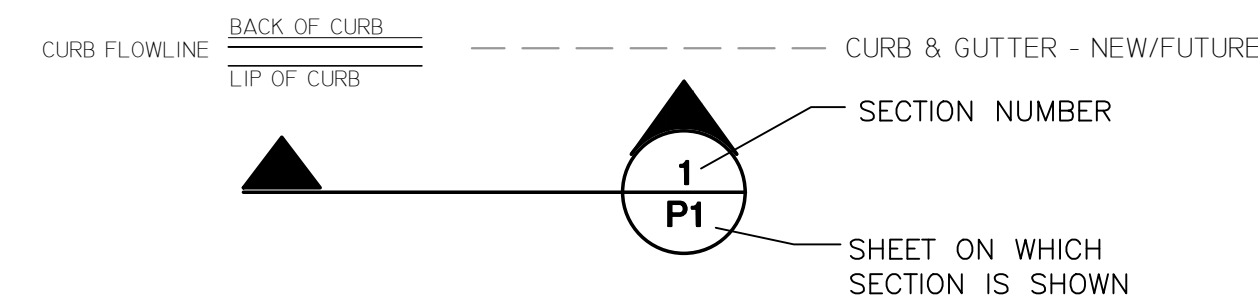
- ALL CONSTRUCTION SHALL MEET THE FOLLOWING STANDARDS & SPECIFICATIONS:
  - INTERNATIONAL BUILDING CODE, LATEST EDITION ADOPTED BY LOCAL JURISDICTION
  - PIKES PEAK REGIONAL BUILDING CODE, LATEST EDITION.
  - EL PASO COUNTY ENGINEERING CRITERIA MANUAL (ECM), LATEST EDITION.
  - PROJECT GEOTECHNICAL REPORT.
- THE CONTRACTOR SHALL BE RESPONSIBLE FOR THE NOTIFICATION AND FIELD LOCATION OF ALL EXISTING UTILITIES, WHETHER SHOWN ON THE PLANS OR NOT, BEFORE BEGINNING CONSTRUCTION. LOCATION OF EXISTING UTILITIES SHALL BE VERIFIED BY THE CONTRACTOR PRIOR TO ACTUAL CONSTRUCTION.
- THE CONTRACTOR SHALL HAVE ONE (1) SIGNED COPY OF THESE APPROVED PLANS AND ACCESS TO THE APPLICABLE DESIGN AND CONSTRUCTION STANDARDS AND SPECIFICATIONS AT THE JOB SITE AT ALL TIMES.
- STORM DRAIN PIPE SHALL BE RCP CLASS III WITH CLASS C BEDDING UNLESS OTHERWISE NOTED.
- STATIONING IS AT CENTERLINE UNLESS OTHERWISE NOTED. ALL ELEVATIONS ARE AT FLOWLINE UNLESS OTHERWISE NOTED. ALL DIMENSIONS ARE FROM FACE OF CURB UNLESS OTHERWISE NOTED. LENGTHS SHOWN FOR STORM SEWER PIPES ARE TO CENTER OF MANHOLE.
- CONTRACTOR SHALL COORDINATE WITH GAS, ELECTRIC, TELEPHONE AND CABLE T.V. UTILITY SUPPLIERS FOR INSTALLATION OF ALL UTILITIES. MINIMUM COVER FOR ALL DRY UTILITIES SHALL BE 36".
- CONTRACTOR SHALL REMOVE AND DISPOSE OF ALL EXISTING STRUCTURES, DEBRIS, WASTE AND OTHER UNSUITABLE FILL MATERIAL FOUND WITHIN THE LIMITS OF EXCAVATION.
- MATCH INTO EXISTING GRADES AT 3:1 MAX CUT AND FILL SLOPES.
- REVEGETATION OF ALL DISTURBED AREAS SHALL BE DONE WITH 4" TOPSOIL AND DRY LAND GRASS SEED AFTER FINE GRADING IS COMPLETE ("FOOTHILLS SEED MIX").
- EROSION CONTROL SHALL CONSIST OF SILT FENCE AND OTHER CONTROL MEASURES AS SHOWN ON THE DRAWING, AND TOPSOIL WITH GRASS SEED, WHICH WILL BE WATERED UNTIL VEGETATION HAS BEEN RE-ESTABLISHED.
- THE EROSION CONTROL MEASURES OUTLINED ON THIS PLAN ARE THE RESPONSIBILITY OF THE CONTRACTOR TO MONITOR AND REPLACE, REGRADE, AND REBUILD AS NECESSARY UNTIL VEGETATION IS RE-ESTABLISHED.
- CONTRACTOR SHALL IMPLEMENT BEST MANAGEMENT PRACTICES IN A MANNER THAT WILL PROTECT ADJACENT PROPERTIES AND PUBLIC FACILITIES FROM THE ADVERSE EFFECTS OF EROSION AND SEDIMENTATION AS A RESULT OF CONSTRUCTION AND EARTHWORK ACTIVITIES WITHIN THE PROJECT SITE.
- ADDITIONAL EROSION CONTROL MEASURES MAY BE REQUIRED AS DETERMINED BY SITE CONDITIONS.
- THE CONTRACTOR WILL TAKE THE NECESSARY PRECAUTIONS TO PROTECT EXISTING UTILITIES FROM DAMAGE DUE TO THIS OPERATION. ANY DAMAGE TO THE UTILITIES WILL BE REPAIRED AT THE CONTRACTOR'S EXPENSE, AND ANY SERVICE DISRUPTION WILL BE SETTLED BY THE CONTRACTOR.
- ALL BACKFILL, SUB-BASE, AND/OR BASE COURSE MATERIAL SHALL BE COMPACTED PER THE PROJECT GEOTECHNICAL REPORT AND CITY SPECIFICATIONS.
- CONCRETE USED IN CURB AND GUTTER, SIDEWALK, AND CROSSSPAN CONSTRUCTION SHALL MEET CITY CRITERIA.
- ALL FINISHED GRADES SHALL HAVE A MINIMUM 1.0% SLOPE TO PROVIDE POSITIVE DRAINAGE.
- CONTRACTOR SHALL OBTAIN ALL REQUIRED PERMITS PRIOR TO BEGINNING WORK.

**HANDICAP ACCESS NOTES:**

- RAMPS ARE NOT TO BE PLACED IN HANDICAP ACCESS AISLES.
- ACCESS AISLES MAY NOT EXCEED A 2% (1:48) SLOPE IN ANY DIRECTION.
- HANDICAP RAMPS MAY NOT EXCEED A SLOPE OF 8% (1:12).
- THE MINIMUM WIDTH FOR HANDICAPPED RAMPS IS 36 INCHES. THE SIDES OF RAMPS MAY NOT EXCEED A SLOPE OF 10% UNLESS PROTECTED WITH A HANDRAIL.
- HANDICAPPED PARKING SHALL MEET ALL OTHER APPLICABLE CITY AND ADA CODE REQUIREMENTS.

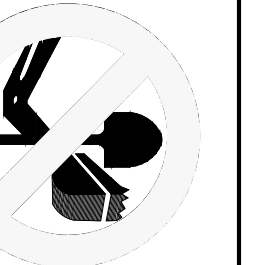
**LEGEND:**

NEW/EXISTING		
---	---	SECTION LINE - NEW/EXISTING
---	---	EASEMENT LINE - NEW/EXISTING
---	---	CONTOUR - NEW/EXISTING
---	---	PROPERTY LINE - NEW/EXISTING
---	---	FENCE - NEW/EXISTING
---	---	OVERHEAD ELECTRIC LINE W/ POWER POLE NEW/EXISTING
---	---	UNDERGROUND ELECTRIC LINE NEW/EXISTING
---	---	UNDERGROUND ELECTRIC - NEW/EXISTING
---	---	TELEPHONE - NEW/EXISTING
---	---	GAS - NEW/EXISTING
---	---	WATER - NEW/EXISTING
---	---	RAW WATER - NEW/EXISTING
---	---	CURB & GUTTER - NEW/FUTURE



19 E. Willamette Ave.  
Colorado Springs, CO  
80903

PH: 719-477-9429  
FAX: 719-471-0766  
www.jpseng.com



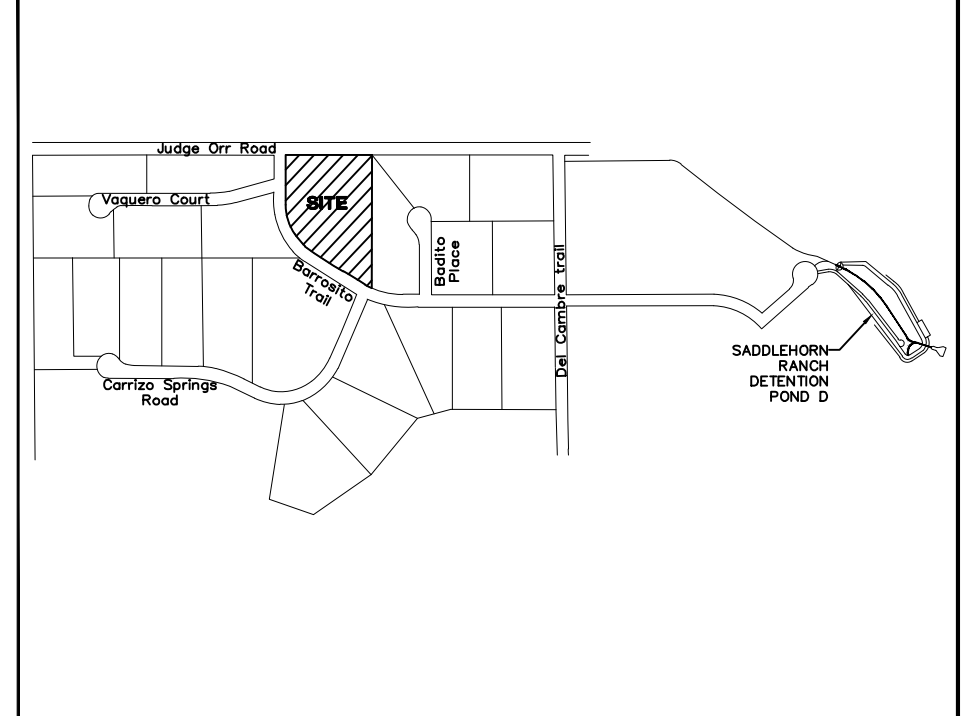
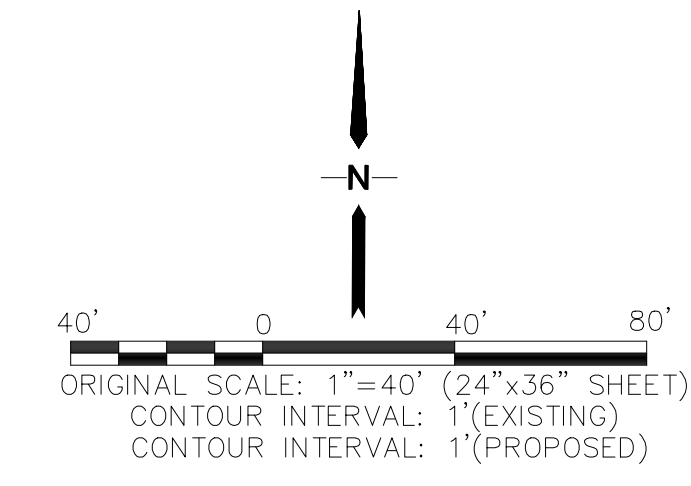
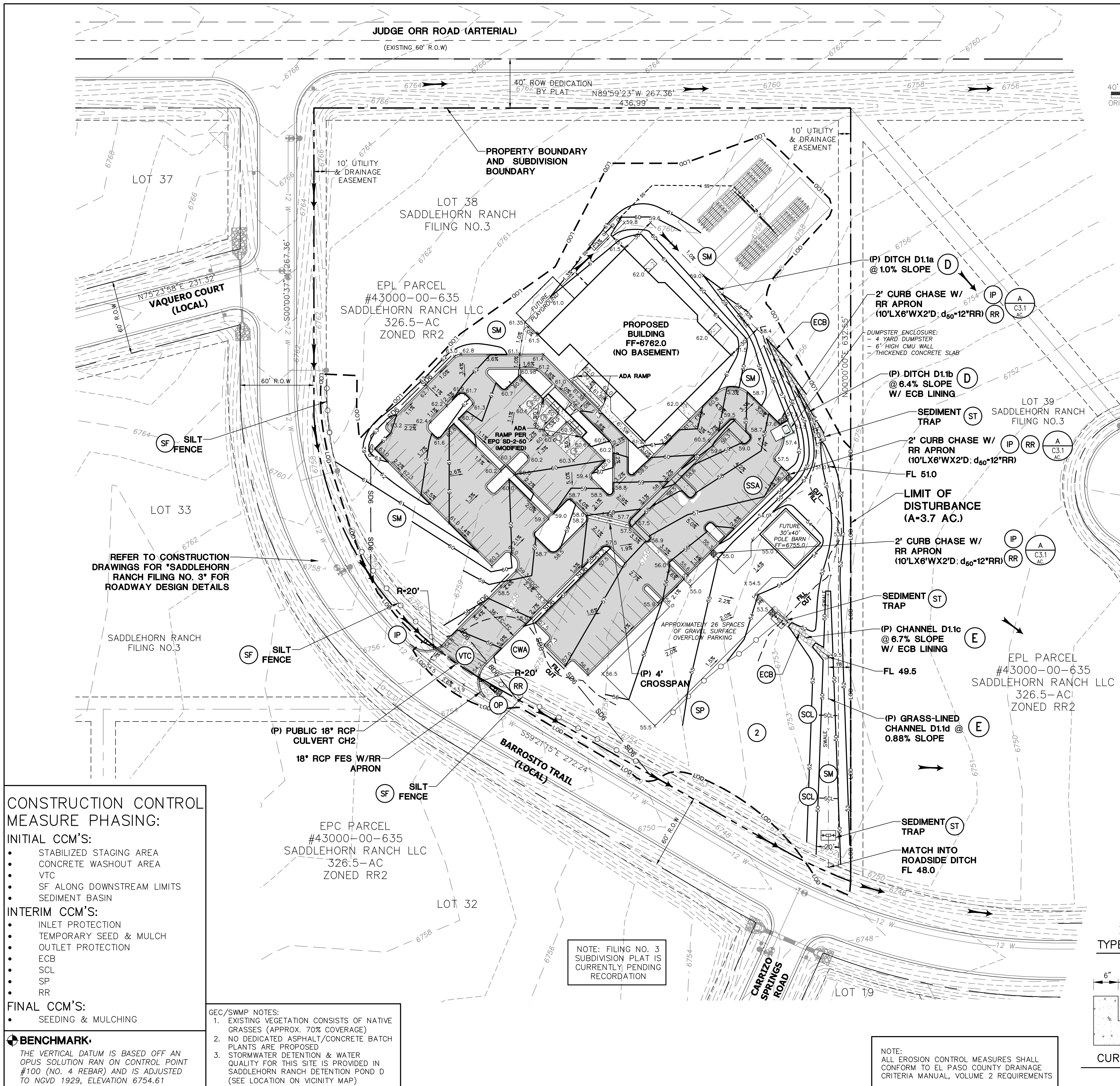
**NORWOOD BIBLE CHURCH  
LOT 38, SADDLEHORN RANCH FILING NO. 3**

**GENERAL NOTES AND LEGEND**

BY	DATE	REVISION
JPS		

HORZ. SCALE:	N/A	DRAWN:	PV
VERT. SCALE:	N/A	DESIGNED:	JPS
SURVEYED:	JR	CHECKED:	JPS
CREATED:	08/29/22	LAST MODIFIED:	05/09/24
PROJECT NO:	042303	MODIFIED BY:	PV

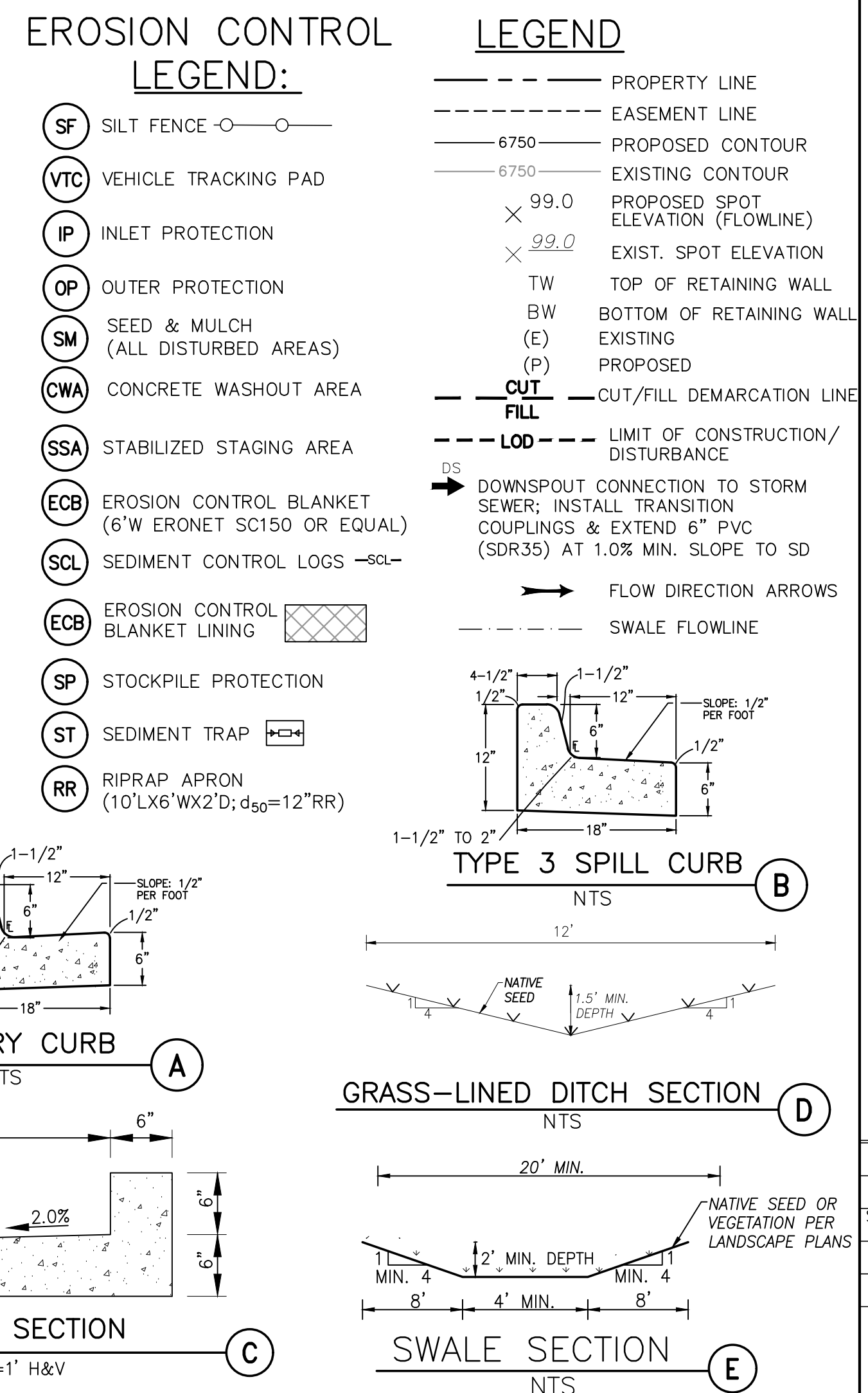
**G2.0**



- KEYED NOTES:**
- TOPSOIL & STRIPPINGS STOCKPILE AREA
  - CONTRACTOR MAY WASTE EXCESS CUT MATERIAL OR BORROW SUITABLE FILL MATERIAL FROM THIS AREA. MAINTAIN POSITIVE DRAINAGE & MATCH INTO EXISTING GRADES WITH 3:1 MAX. SLOPE.
  - PREPARE AND COMPACT BUILDING FOUNDATION & SLABS PER PROJECT GEOTECHNICAL REPORT
  - PARKING LOT PAVING PER GEOTECHNICAL REPORT (4" ASPHALT OVER 6" AGGREGATE BASE UNLESS NOTED OTHERWISE)
  - STORAGE AREA FOR BUILDING MATERIALS, EQUIPMENT & CONSTRUCTION WASTE (CONTRACTOR MAY ADJUST AS NEEDED)
  - MIN 4'x4' CONCRETE LANDING AT DOOR W/2.0% MAX. SLOPE AWAY FROM BUILDING

**ESTIMATED EARTHWORK QUANTITY:**  
 UNCLASSIFIED EXCAVATION (TOTAL CUT) = 712 CY  
 \* TOTAL FILL = 6,660 CY  
 NET (FILL) = 5,948 CY  
 \*(ASSUMES 15% COMPACTION FACTOR)

NOTE: THIS ESTIMATE IS PROVIDED FOR INFORMATION ONLY, REPRESENTING THE CALCULATED BULK EARTHWORK VOLUME TO FINISHED GRADE, EXCLUDING ANY ADJUSTMENT FOR PAVEMENT DEPTHS, ETC. CONTRACTOR SHALL MAKE HIS OWN DETERMINATION OF EARTHWORK QUANTITIES AS BASIS FOR BID PRICING AND NOTIFY ENGINEER OF ANY DISCREPANCIES.



**CONSTRUCTION CONTROL MEASURE PHASING:**

**INITIAL CCM'S:**

- STABILIZED STAGING AREA
- CONCRETE WASHOUT AREA
- VTC
- SF ALONG DOWNSTREAM LIMITS
- SEDIMENT BASIN

**INTERIM CCM'S:**

- INLET PROTECTION
- TEMPORARY SEED & MULCH
- OUTLET PROTECTION
- ECB
- SCL
- SP
- RR

**FINAL CCM'S:**

- SEEDING & MULCHING

**BENCHMARK:**  
 THE VERTICAL DATUM IS BASED OFF AN OPUS SOLUTION RAN ON CONTROL POINT #100 (NO. 4 REBAR) AND IS ADJUSTED TO NGVD 1929, ELEVATION 6754.61

**GEC/SWMP NOTES:**

- EXISTING VEGETATION CONSISTS OF NATIVE GRASSES (APPROX. 70% COVERAGE)
- NO DEDICATED ASPHALT/CONCRETE BATCH PLANTS ARE PROPOSED
- STORMWATER DETENTION & WATER QUALITY FOR THIS SITE IS PROVIDED IN SADDLEHORN RANCH DETENTION POND D (SEE LOCATION ON VICINITY MAP)

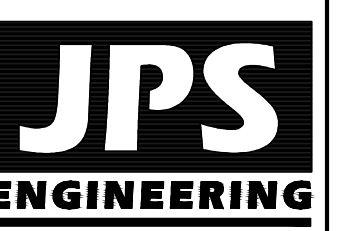
NOTE: FILING NO. 3 SUBDIVISION PLAT IS CURRENTLY PENDING RECORDATION

NOTE: ALL EROSION CONTROL MEASURES SHALL CONFORM TO EL PASO COUNTY DRAINAGE CRITERIA MANUAL, VOLUME 2 REQUIREMENTS

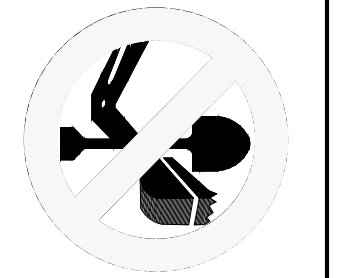
**NORWOOD BIBLE CHURCH  
 LOT 38, SADDLEHORN RANCH FILING NO. 3  
 SITE GRADING AND  
 EROSION CONTROL PLAN**



HORZ. SCALE: 1"=40'	DRAWN: PV
VERT. SCALE: N/A	DESIGNED: JPS
SURVEYED: JR	CHECKED: JPS
CREATED: 08/29/22	LAST MODIFIED: 05/09/24
PROJECT NO: 042303	MODIFIED BY: PV
SHEET:	<b>C1.1</b>

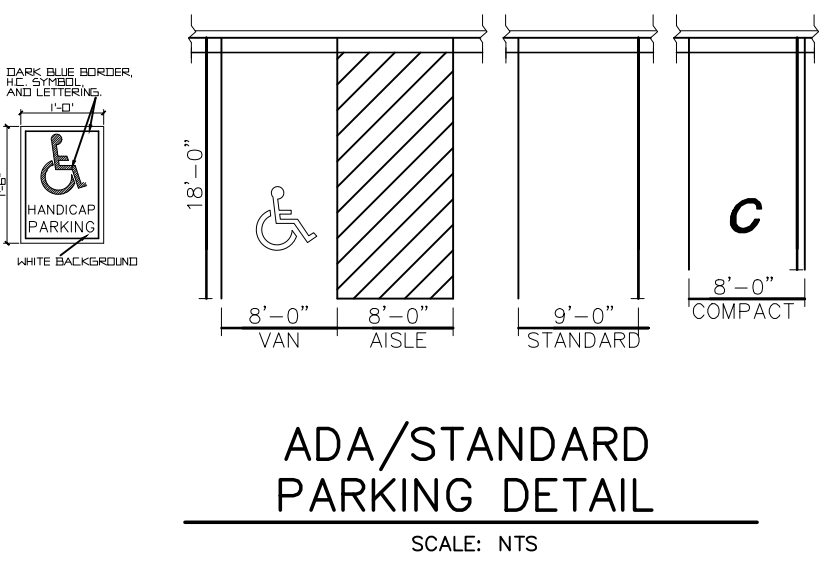
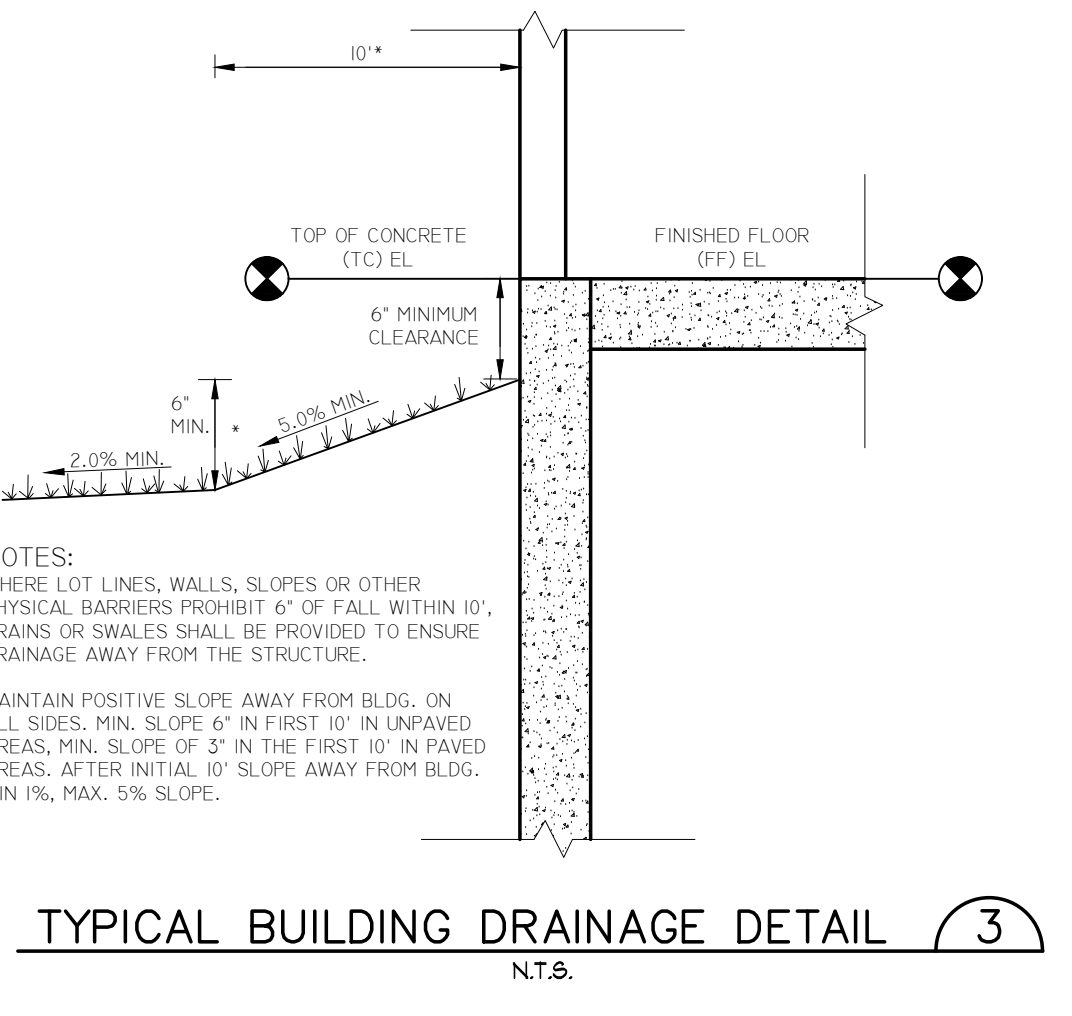
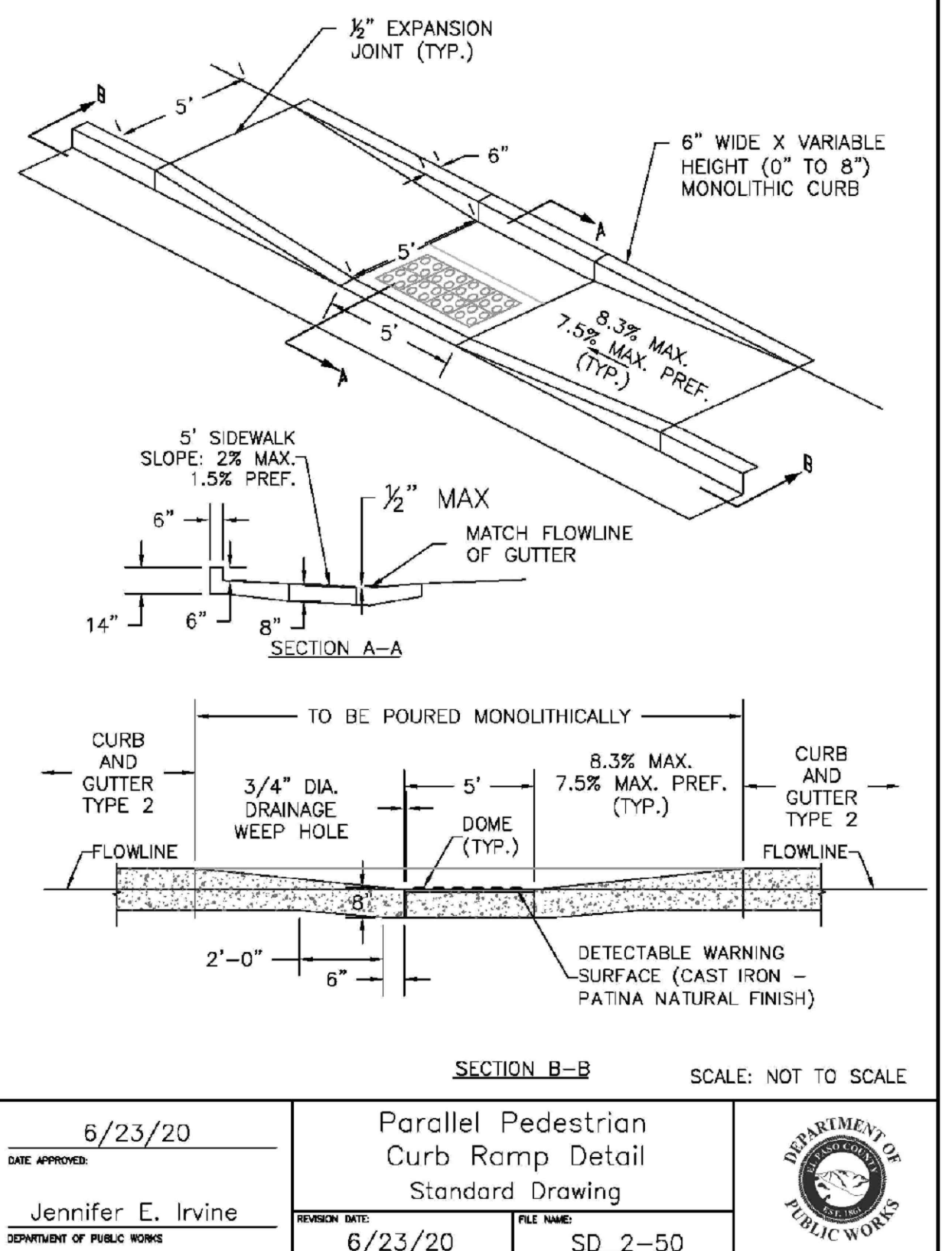
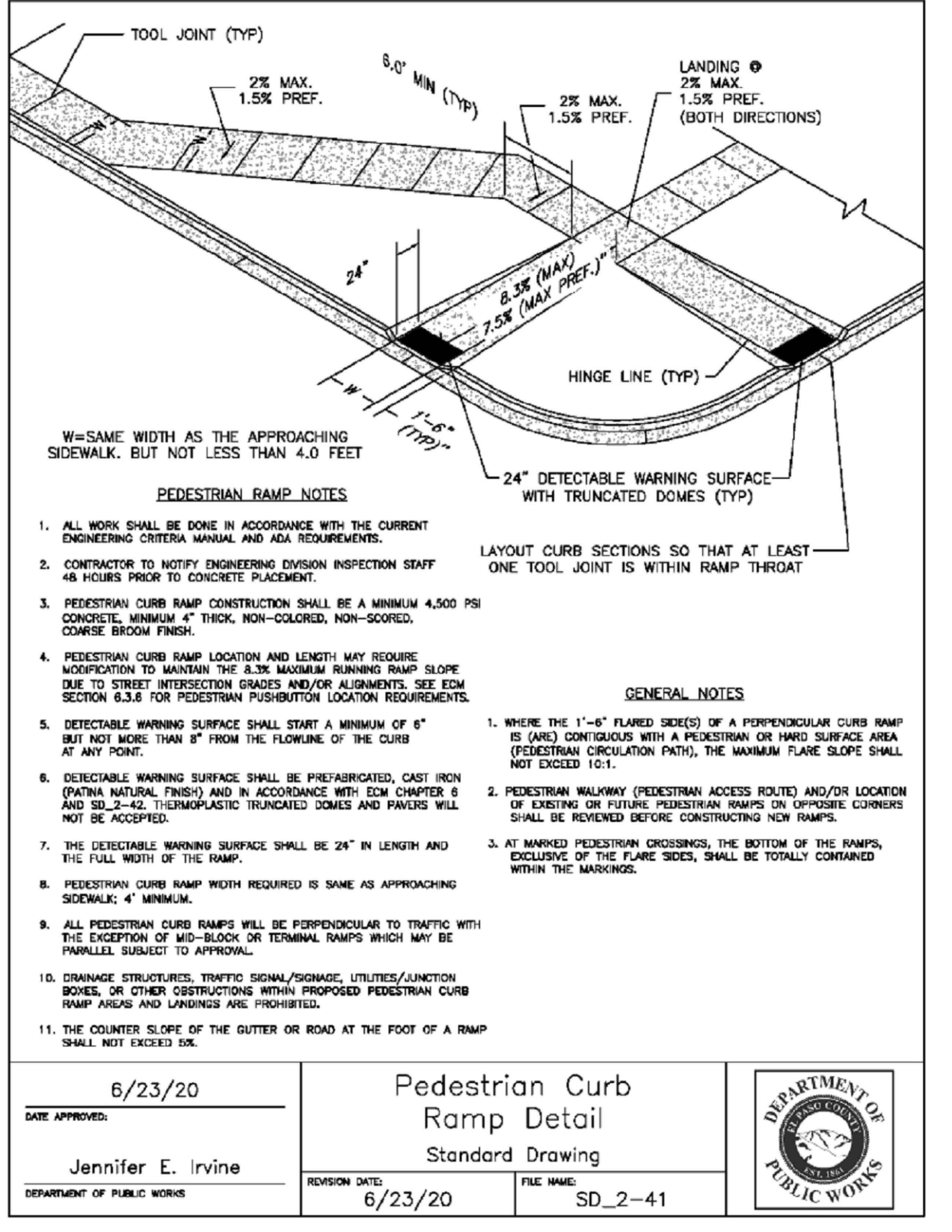
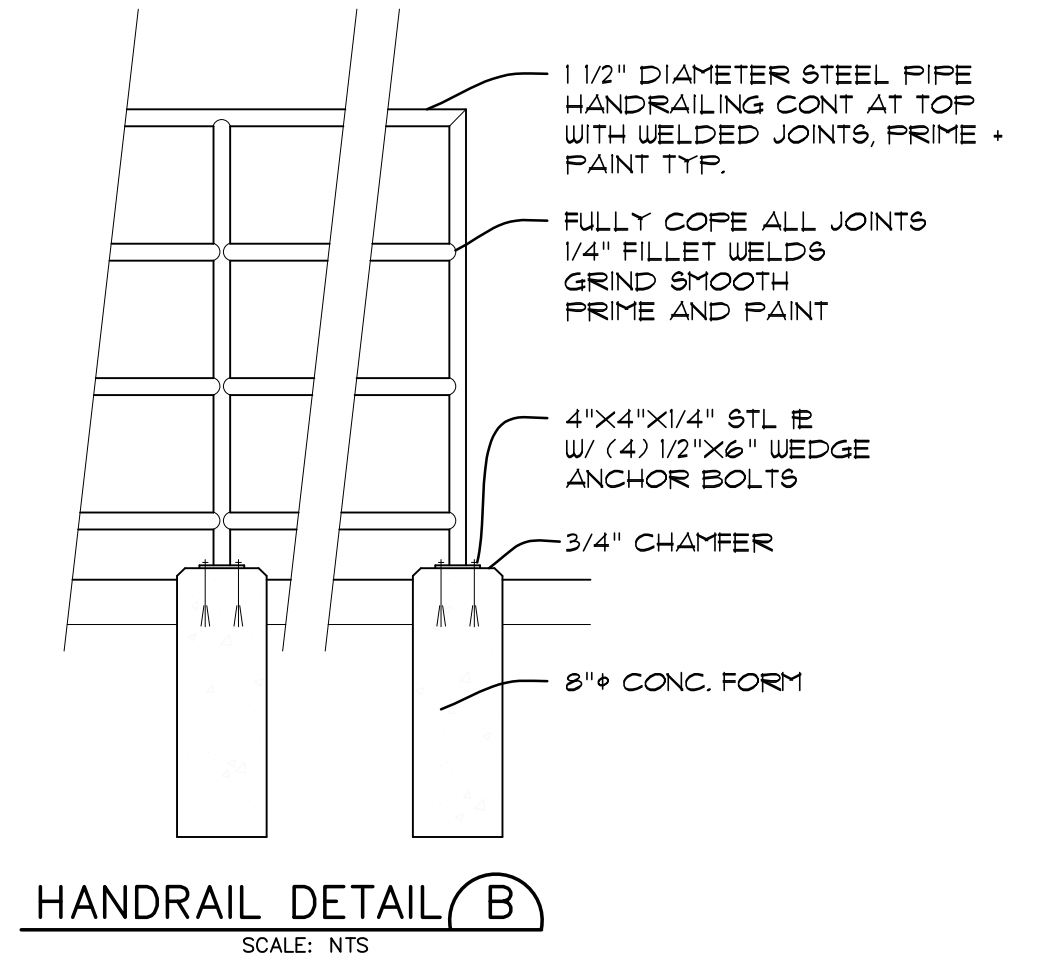
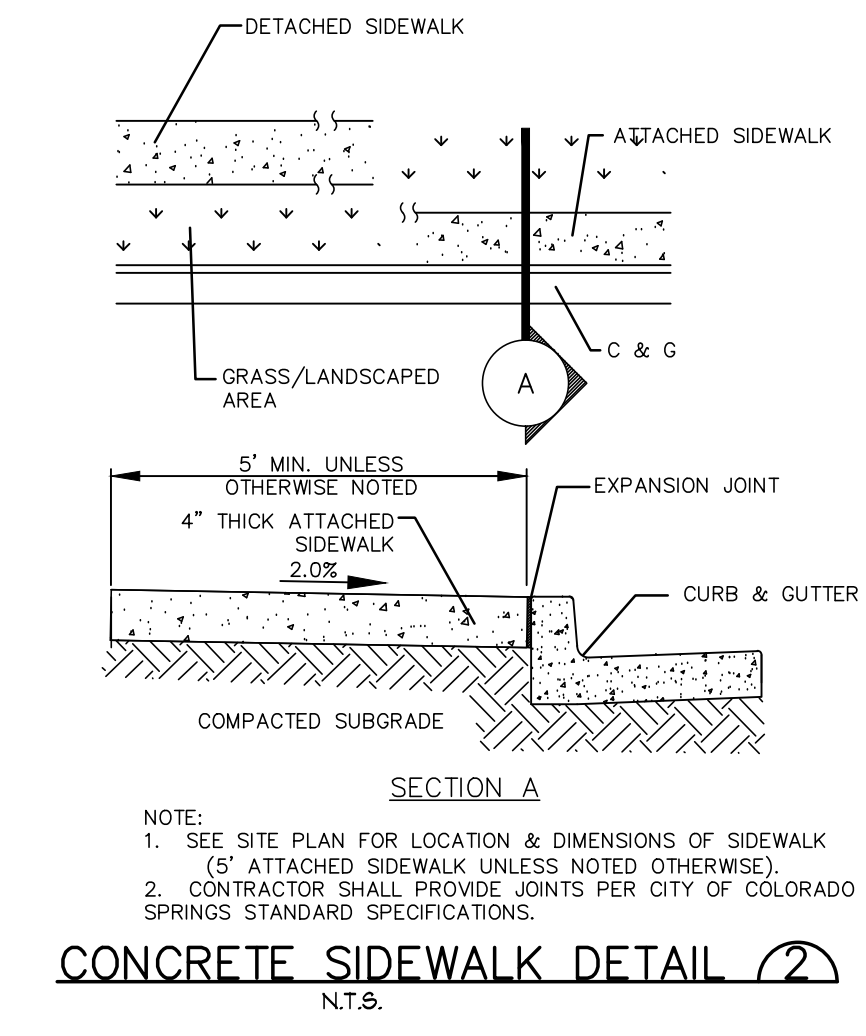
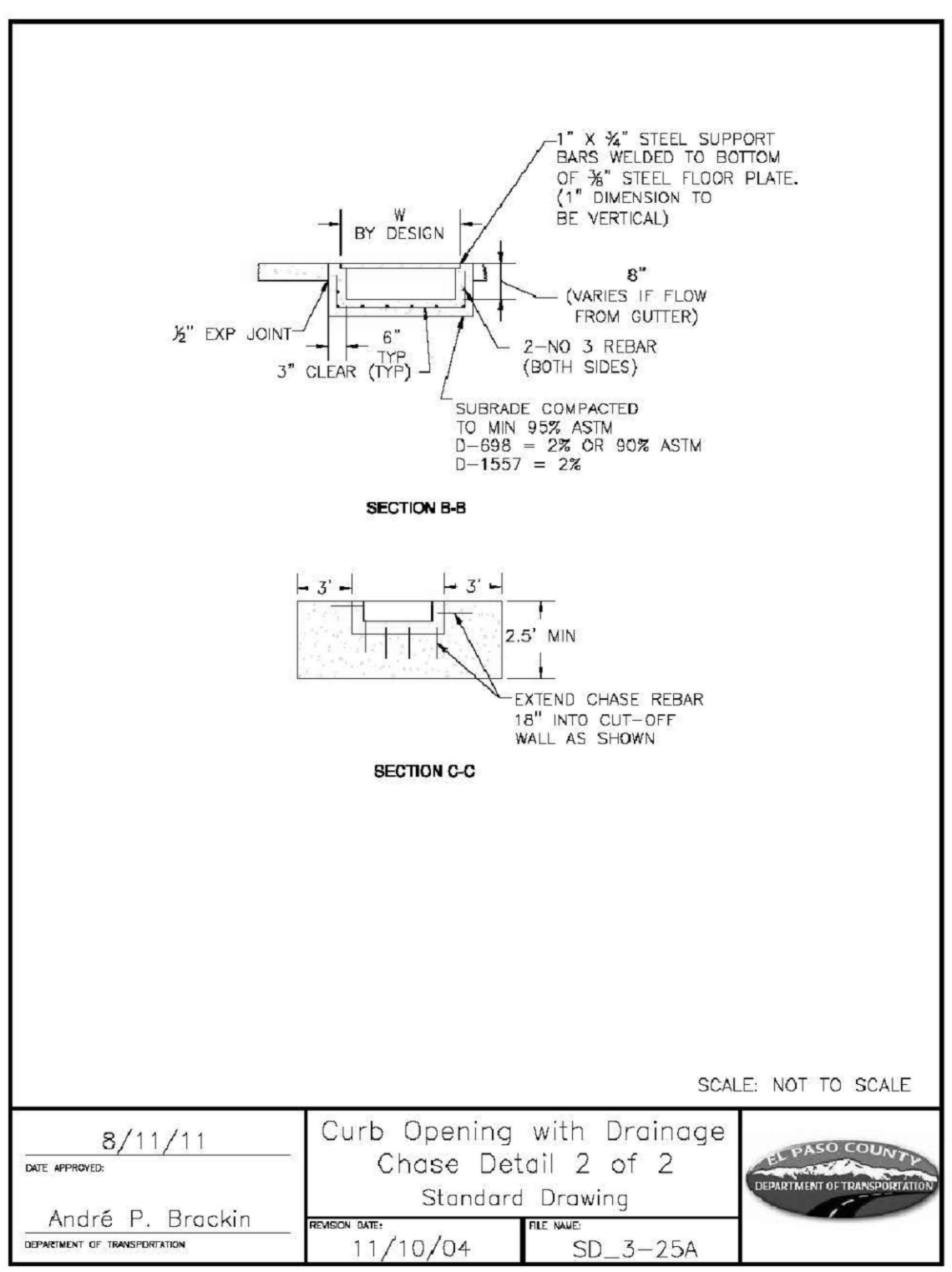
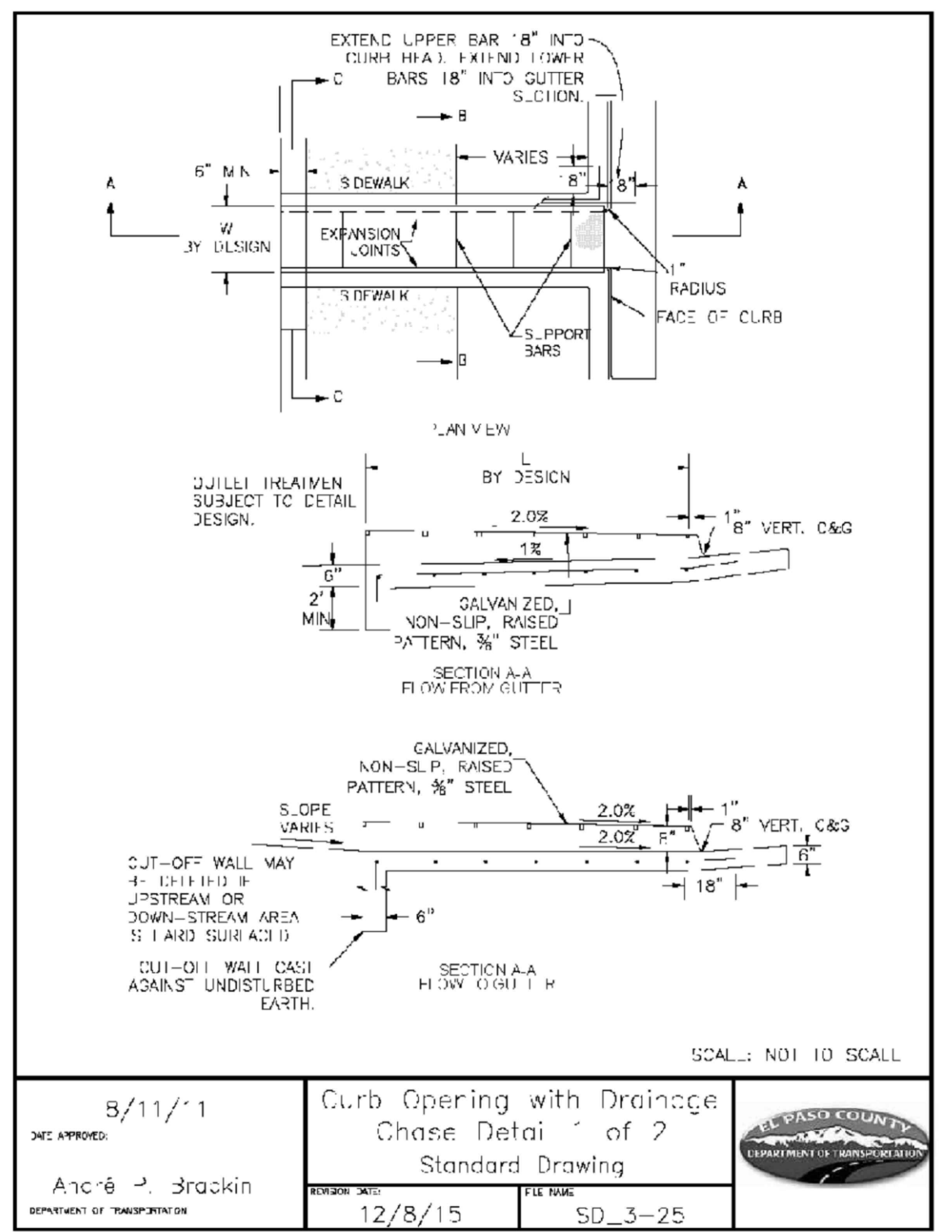
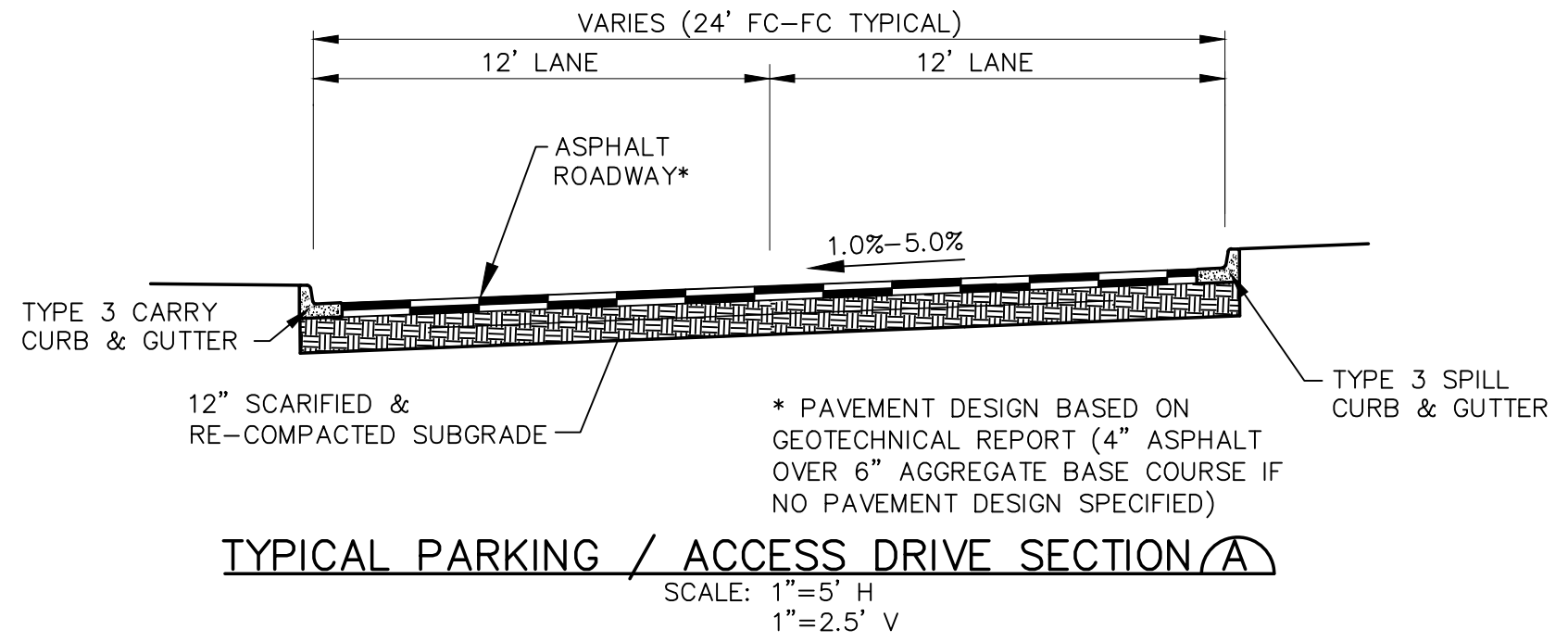
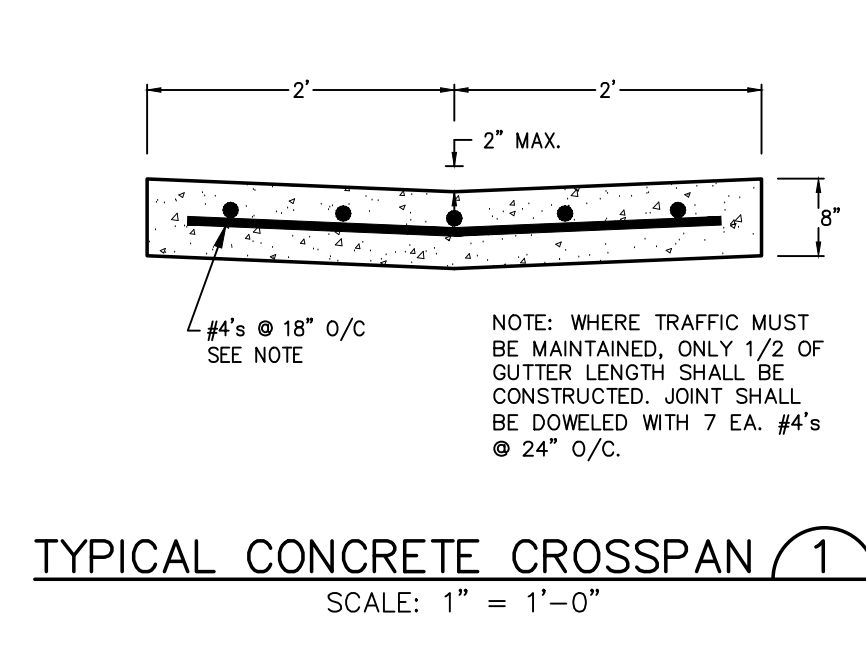


19 E. Wilamette Ave.  
 Colorado Springs, CO  
 80903  
 PH: 719-477-9429  
 FAX: 719-471-0766  
 www.jpsengr.com

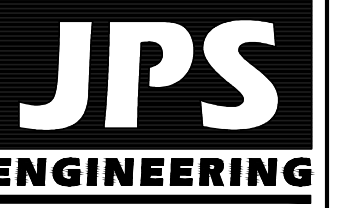


CALL UTILITY NOTIFICATION CENTER OF COLORADO  
 1-800-922-1987  
 CALL 2-BUSINESS DAYS IN ADVANCE BEFORE YOU DIG, GRADE, OR EXCAVATE FOR THE MARKING OF UNDERGROUND MEMBER UTILITIES.

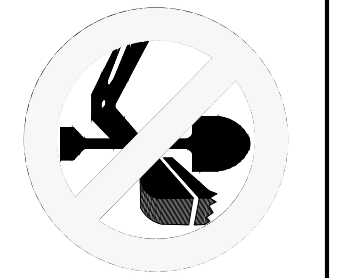
NO.	REVISION	DATE



**NORWOOD BIBLE CHURCH  
LOT 38, SADDLEHORN RANCH FILING NO. 3**



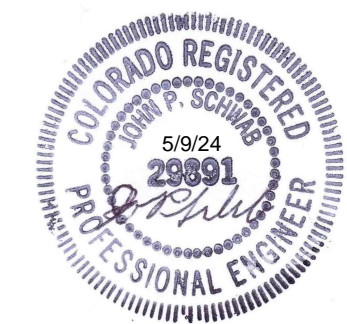
19 E. Wilamette Ave.  
Colorado Springs, CO  
80903  
PH: 719-477-9429  
FAX: 719-471-0766  
www.jpseng.com



CALL UTILITY NOTIFICATION  
CENTER OF COLORADO  
1-800-922-1987  
CALL 2-BUSINESS DAYS IN ADVANCE  
BEFORE YOU DIG, GRADE, OR EXCAVATE  
FOR THE MARKING OF UNDERGROUND  
MEMBER UTILITIES.

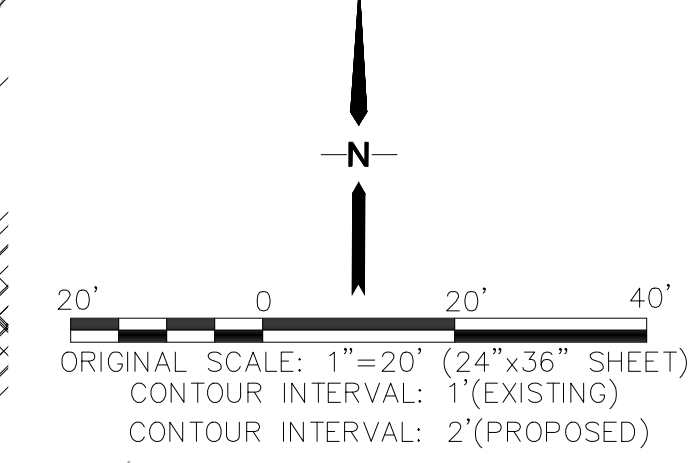
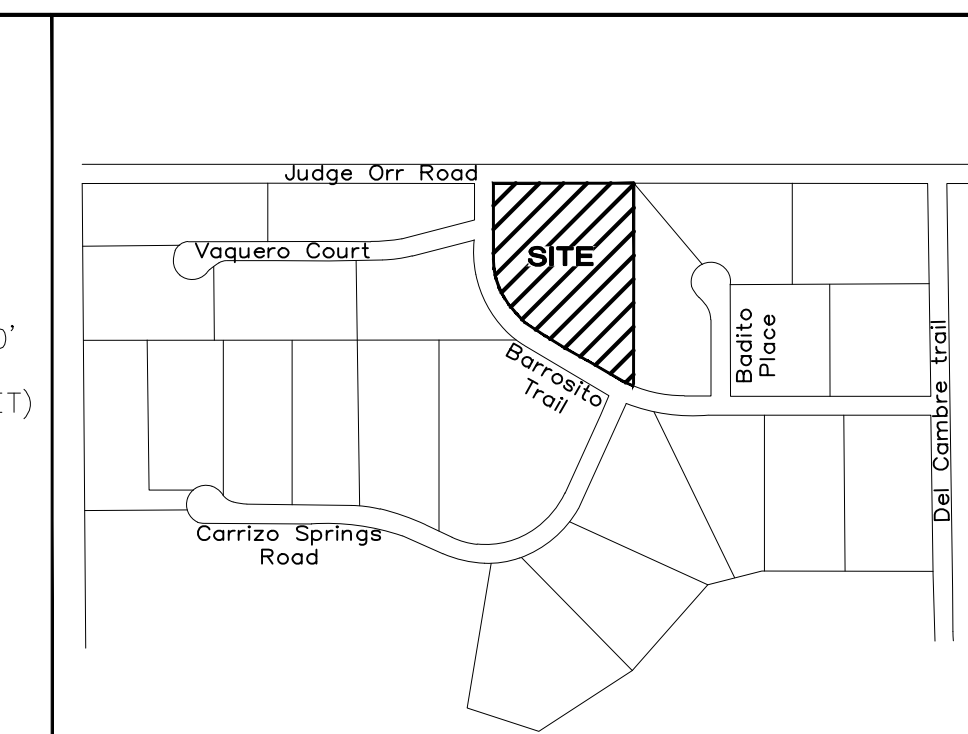
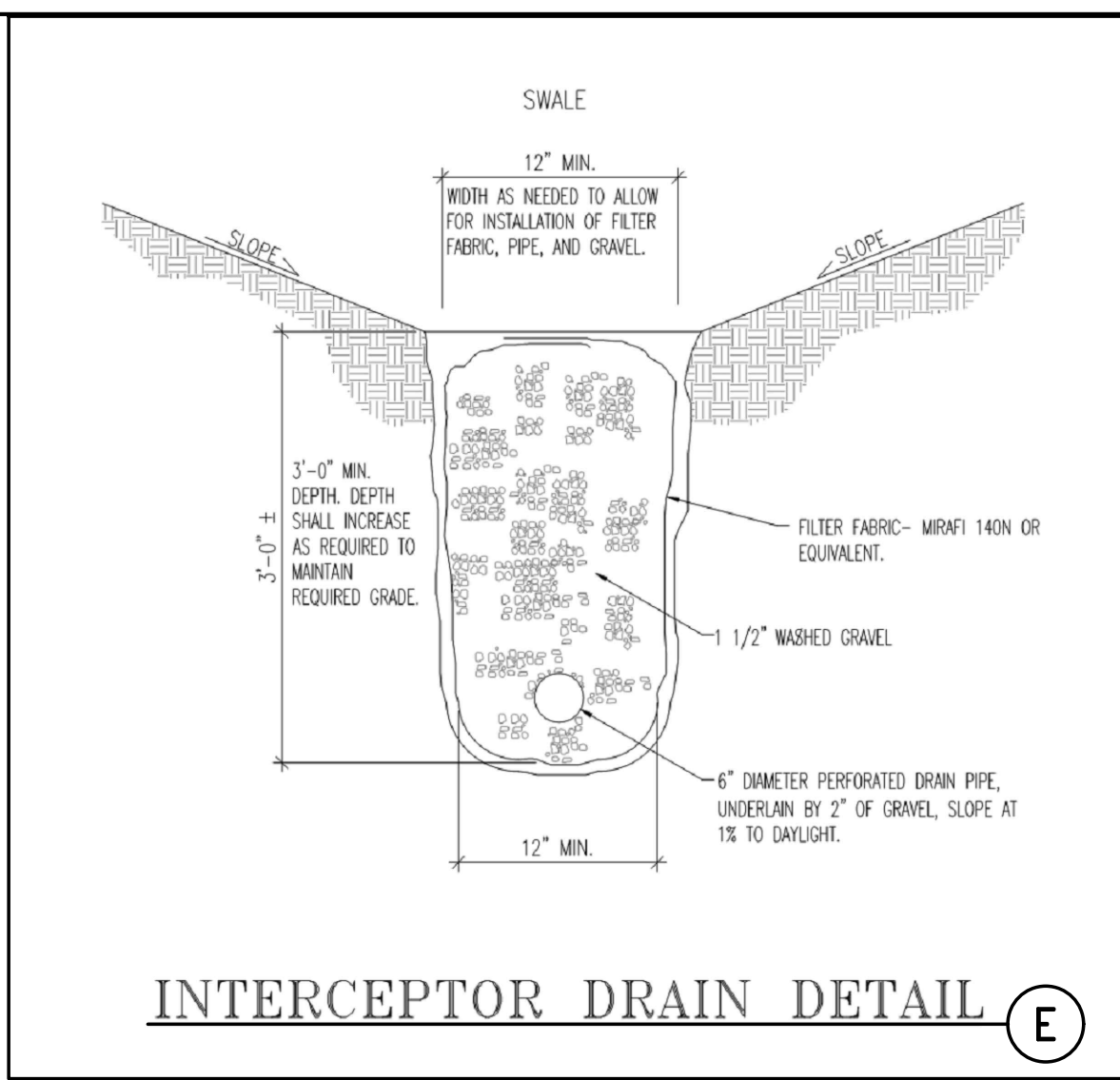
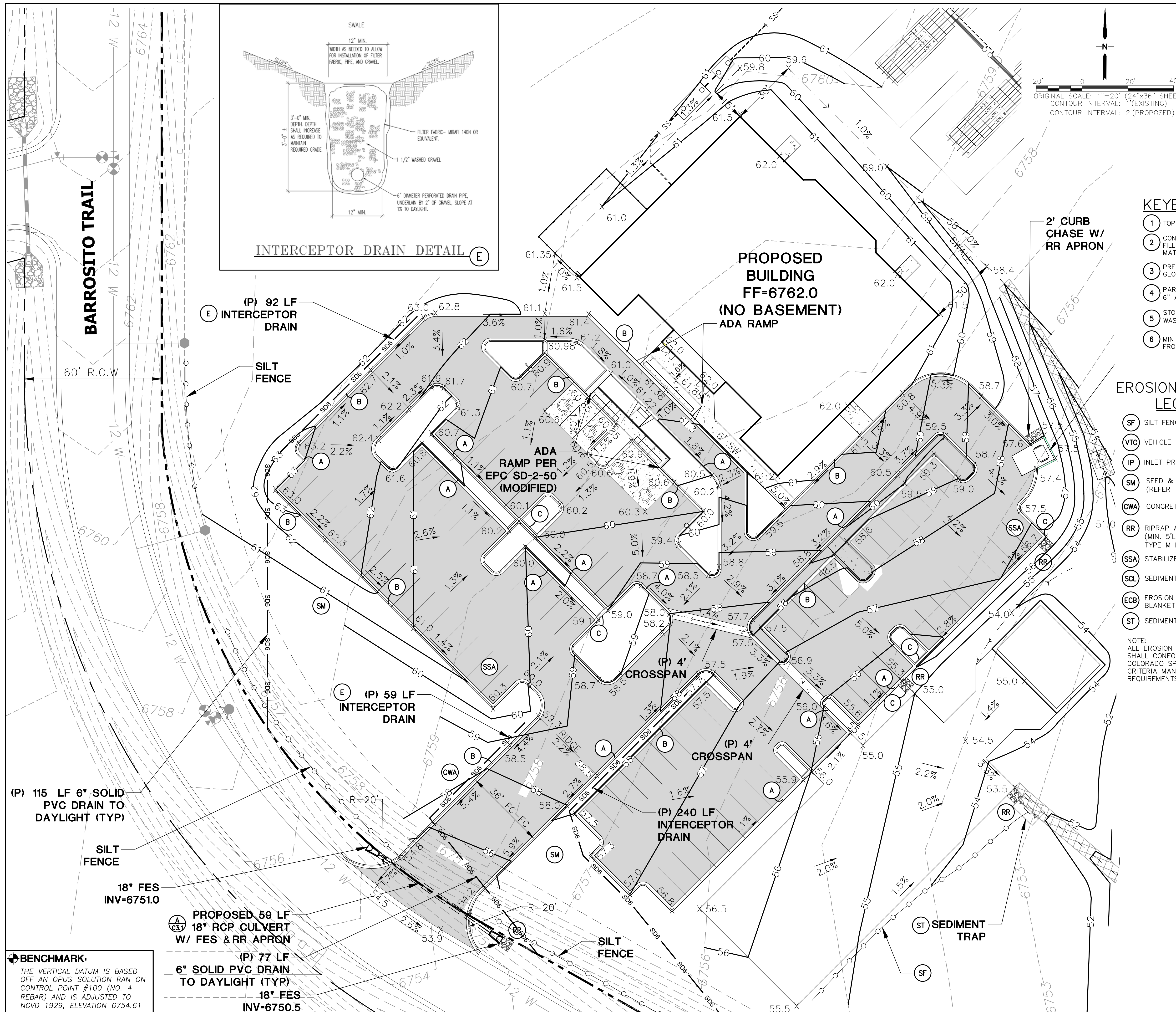
NO.	REVISION	BY	DATE
1		JPS	

**CIVIL DETAILS**



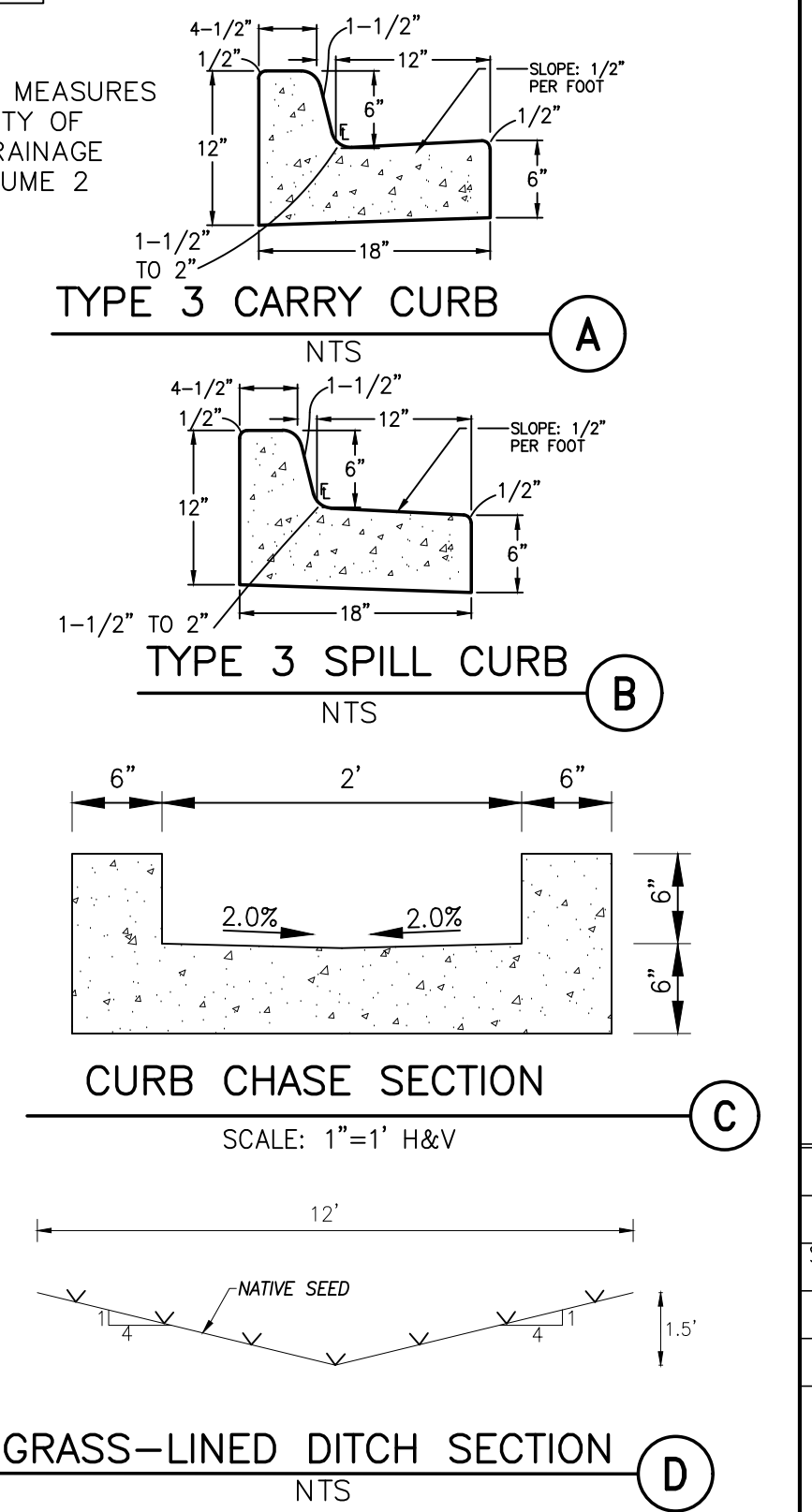
HORIZ. SCALE:	N/A	DRAWN:	PV
VERT. SCALE:	N/A	DESIGNED:	JPS
SURVEYED:	JR	CHECKED:	JPS
CREATED:	08/29/22	LAST MODIFIED:	10/10/23
PROJECT NO:	042303	MODIFIED BY:	PV

SHEET: **C1.2**



- KEYED NOTES:**
- TOPSOIL & STRIPPINGS STOCKPILE AREA
  - CONTRACTOR MAY WASTE EXCESS CUT MATERIAL OR BORROW SUITABLE FILL MATERIAL FROM THIS AREA. MAINTAIN POSITIVE DRAINAGE & MATCH INTO EXISTING GRADES WITH 3:1 MAX. SLOPE.
  - PREPARE AND COMPACT BUILDING FOUNDATION & SLABS PER PROJECT GEOTECHNICAL REPORT
  - PARKING LOT PAVING PER GEOTECHNICAL REPORT (4\"/>

- EROSION CONTROL LEGEND:**
- (SF) SILT FENCE
  - (VTC) VEHICLE TRACKING PAD
  - (IP) INLET PROTECTION
  - (SM) SEED & MULCH (REFER TO LS PLANS)
  - (CWA) CONCRETE WASHOUT AREA
  - (RR) RIPRAP APRON (MIN. 5'X5'WX2'D; TYPE M RIPRAP)
  - (SSA) STABILIZED STAGING AREA
  - (SCL) SEDIMENT CONTROL LOGS
  - (ECB) EROSION CONTROL BLANKET LINING
  - (ST) SEDIMENT TRAP
- LEGEND:**
- PROPERTY LINE
  - EASEMENT LINE
  - 6750 PROPOSED CONTOUR
  - 6750 EXISTING CONTOUR
  - 99.0 PROPOSED SPOT ELEVATION (FLOWLINE)
  - 99.0 EXIST. SPOT ELEVATION
  - FC FACE OF CURB
  - TW TOP OF RETAINING WALL
  - BW BOTTOM OF RETAINING WALL
  - (E) EXISTING
  - (P) PROPOSED
  - CUT/FILL DEMARCATION LINE
  - LOD LIMIT OF CONSTRUCTION/DISTURBANCE
  - DS DOWNSPOUT CONNECTION TO STORM SEWER; INSTALL TRANSITION COUPLINGS & EXTEND 6\"/>



**BENCHMARK.**  
THE VERTICAL DATUM IS BASED OFF AN OPUS SOLUTION RAN ON CONTROL POINT #100 (NO. 4 REBAR) AND IS ADJUSTED TO NGVD 1929, ELEVATION 6754.61

**PROPOSED 59 LF 18\"/>**

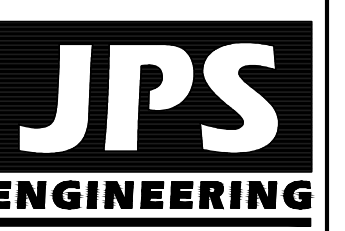
**NORWOOD BIBLE CHURCH  
LOT 38, SADDLEHORN RANCH FILING NO. 3**

**BUILDING AREA  
GRADING PLAN**



HORZ. SCALE: 1"=20'	DRAWN: PV
VERT. SCALE: N/A	DESIGNED: JPS
SURVEYED: JR	CHECKED: JPS
CREATED: 08/29/22	LAST MODIFIED: 05/09/24
PROJECT NO: 042303	MODIFIED BY: PV

SHEET: **C2.1**



19 E. Wilamette Ave.  
Colorado Springs, CO 80903  
PH: 719-477-9429  
FAX: 719-471-0766  
www.jpsengr.com



CALL UTILITY NOTIFICATION CENTER OF COLORADO  
**1-800-922-1987**  
CALL 2-BUSINESS DAYS IN ADVANCE BEFORE YOU DIG, GRADE, OR EXCAVATE FOR THE MARKING OF UNDERGROUND MEMBER UTILITIES.

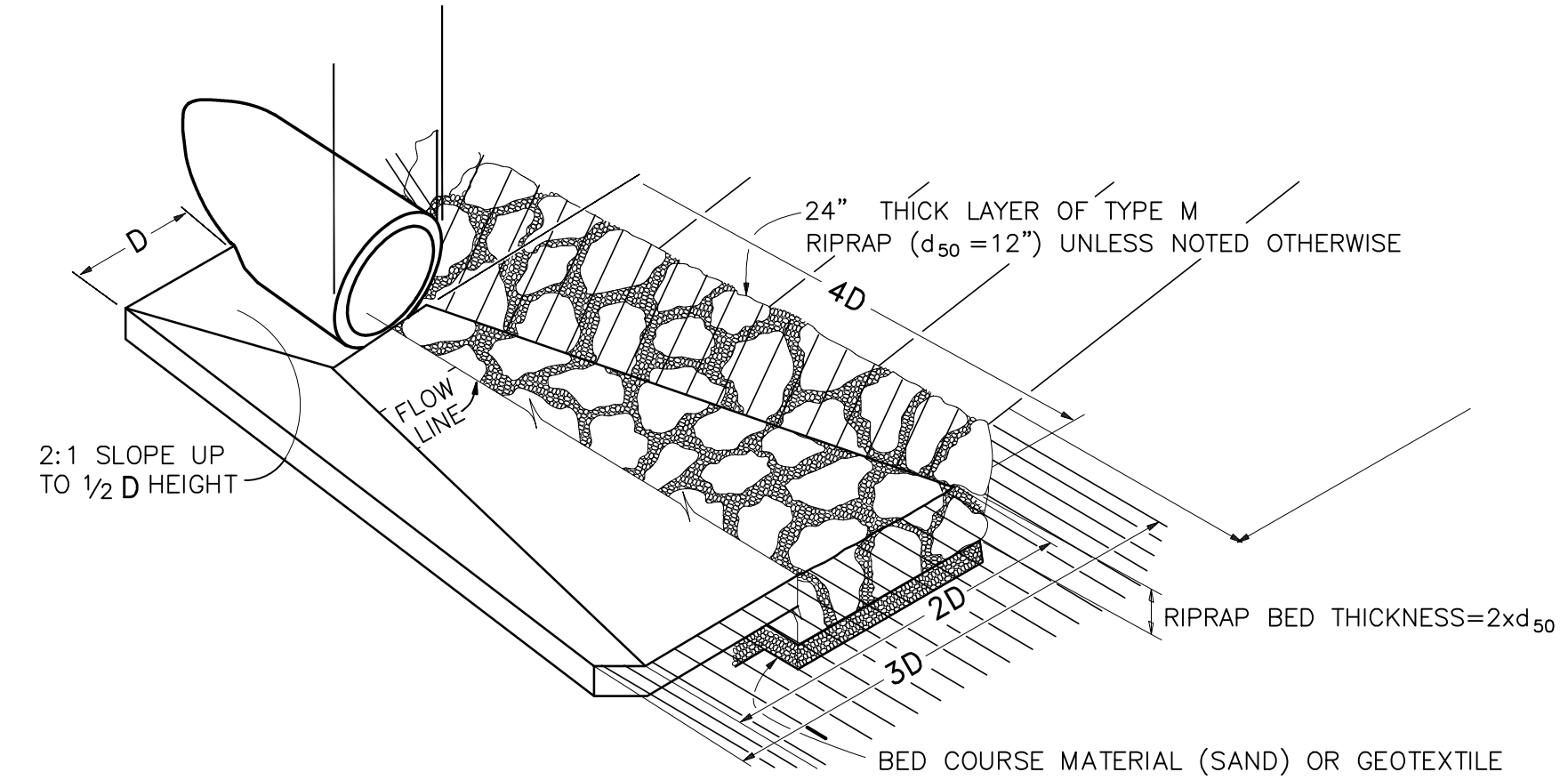
No.	REVISION	BY	DATE

# STANDARD NOTES FOR EL PASO COUNTY GRADING AND EROSION CONTROL PLANS:

REVISED 7/02/19

- STORMWATER DISCHARGES FROM CONSTRUCTION SITES SHALL NOT CAUSE OR THREATEN TO CAUSE POLLUTION, CONTAMINATION, OR DEGRADATION OF STATE WATERS. ALL WORK AND EARTH DISTURBANCE SHALL BE DONE IN A MANNER THAT MINIMIZES POLLUTION OF ANY ON-SITE OR OFF-SITE WATERS, INCLUDING WETLANDS.
- NOTWITHSTANDING ANYTHING DEPICTED IN THESE PLANS IN WORDS OR GRAPHIC REPRESENTATION, ALL DESIGN AND CONSTRUCTION RELATED TO ROADS, STORM DRAINAGE AND EROSION CONTROL SHALL CONFORM TO THE STANDARDS AND REQUIREMENTS OF THE MOST RECENT VERSION OF THE RELEVANT ADOPTED EL PASO COUNTY STANDARDS, INCLUDING THE LAND DEVELOPMENT CODE, THE ENGINEERING CRITERIA MANUAL, THE DRAINAGE CRITERIA MANUAL, AND THE DRAINAGE CRITERIA MANUAL VOLUME 2. ANY DEVIATIONS FROM REGULATIONS AND STANDARDS MUST BE REQUESTED, AND APPROVED, IN WRITING.
- A SEPARATE STORMWATER MANAGEMENT PLAN (SMWP) FOR THIS PROJECT SHALL BE COMPLETED AND AN EROSION AND STORMWATER QUALITY CONTROL PERMIT (ESQCP) ISSUED PRIOR TO COMMENCING CONSTRUCTION. MANAGEMENT OF THE SMWP DURING CONSTRUCTION IS THE RESPONSIBILITY OF THE DESIGNATED QUALIFIED STORMWATER MANAGER OR CERTIFIED EROSION CONTROL INSPECTOR. THE SMWP SHALL BE LOCATED ON SITE AT ALL TIMES DURING CONSTRUCTION AND SHALL BE KEPT UP TO DATE WITH WORK PROGRESS AND CHANGES IN THE FIELD.
- ONCE THE ESQCP IS APPROVED AND A "NOTICE TO PROCEED" HAS BEEN ISSUED, THE CONTRACTOR MAY INSTALL THE INITIAL STAGE EROSION AND SEDIMENT CONTROL MEASURES AS INDICATED ON THE APPROVED GEC. A PRECONSTRUCTION MEETING BETWEEN THE CONTRACTOR, ENGINEER, AND EL PASO COUNTY WILL BE HELD PRIOR TO ANY CONSTRUCTION. IT IS THE RESPONSIBILITY OF THE APPLICANT TO COORDINATE THE MEETING TIME AND PLACE WITH COUNTY STAFF.
- CONTROL MEASURES MUST BE INSTALLED PRIOR TO COMMENCEMENT OF ACTIVITIES THAT COULD CONTRIBUTE POLLUTANTS TO STORMWATER. CONTROL MEASURES FOR ALL SLOPES, CHANNELS, DITCHES, AND DISTURBED LAND AREAS SHALL BE INSTALLED IMMEDIATELY UPON COMPLETION OF THE DISTURBANCE.
- ALL TEMPORARY SEDIMENT AND EROSION CONTROL MEASURES SHALL BE MAINTAINED AND REMAIN IN EFFECTIVE OPERATING CONDITION UNTIL PERMANENT SOIL EROSION CONTROL MEASURES ARE IMPLEMENTED AND FINAL STABILIZATION IS ESTABLISHED. ALL PERSONS ENGAGED IN LAND DISTURBANCE ACTIVITIES SHALL ASSESS THE ADEQUACY OF CONTROL MEASURES AT THE SITE AND IDENTIFY IF CHANGES TO THOSE CONTROL MEASURES ARE NEEDED TO ENSURE THE CONTINUED EFFECTIVE PERFORMANCE OF THE CONTROL MEASURES. ALL CHANGES TO TEMPORARY SEDIMENT AND EROSION CONTROL MEASURES MUST BE INCORPORATED INTO THE STORMWATER MANAGEMENT PLAN.
- TEMPORARY STABILIZATION SHALL BE IMPLEMENTED ON DISTURBED AREAS AND STOCKPILES WHERE GROUND DISTURBING CONSTRUCTION ACTIVITY HAS PERMANENTLY CEASED OR TEMPORARILY CEASED FOR LONGER THAN 14 DAYS.
- FINAL STABILIZATION MUST BE IMPLEMENTED AT ALL APPLICABLE CONSTRUCTION SITES. FINAL STABILIZATION IS ACHIEVED WHEN ALL GROUND DISTURBING ACTIVITIES ARE COMPLETE AND ALL DISTURBED AREAS EITHER HAVE A UNIFORM VEGETATIVE COVER WITH INDIVIDUAL PLANT DENSITY OF 70 PERCENT OF PRE-DISTURBANCE LEVELS ESTABLISHED OR EQUIVALENT PERMANENT ALTERNATIVE STABILIZATION METHOD IS IMPLEMENTED. ALL TEMPORARY SEDIMENT AND EROSION CONTROL MEASURES SHALL BE REMOVED UPON FINAL STABILIZATION AND BEFORE PERMIT CLOSURE.
- ALL PERMANENT STORMWATER MANAGEMENT FACILITIES SHALL BE INSTALLED AS DESIGNED IN THE APPROVED PLANS. ANY PROPOSED CHANGES THAT AFFECT THE DESIGN OR FUNCTION OF PERMANENT STORMWATER MANAGEMENT STRUCTURES MUST BE APPROVED BY THE ECM ADMINISTRATOR PRIOR TO IMPLEMENTATION.
- EARTH DISTURBANCES SHALL BE CONDUCTED IN SUCH A MANNER SO AS TO EFFECTIVELY MINIMIZE ACCELERATED SOIL EROSION AND RESULTING SEDIMENTATION. ALL DISTURBANCES SHALL BE DESIGNED, CONSTRUCTED, AND COMPLETED SO THAT THE EXPOSED AREA OF ANY DISTURBED LAND SHALL BE LIMITED TO THE SHORTEST PRACTICAL PERIOD OF TIME. PRE-EXISTING VEGETATION SHALL BE PROTECTED AND MAINTAINED WITHIN 50 HORIZONTAL FEET OF A WATERS OF THE STATE UNLESS SHOWN TO BE INFEASIBLE AND SPECIFICALLY REQUESTED AND APPROVED.
- COMPACTION OF SOIL MUST BE PREVENTED IN AREAS DESIGNATED FOR INFILTRATION CONTROL MEASURES OR WHERE FINAL STABILIZATION WILL BE ACHIEVED BY VEGETATIVE COVER. AREAS DESIGNATED FOR INFILTRATION CONTROL MEASURES SHALL ALSO BE PROTECTED FROM SEDIMENTATION DURING CONSTRUCTION UNTIL FINAL STABILIZATION IS ACHIEVED. IF COMPACTION PREVENTION IS NOT FEASIBLE DUE TO SITE CONSTRAINTS, ALL AREAS DESIGNATED FOR INFILTRATION AND VEGETATION CONTROL MEASURES MUST BE LOOSENEED PRIOR TO INSTALLATION OF THE CONTROL MEASURE(S).
- ANY TEMPORARY OR PERMANENT FACILITY DESIGNED AND CONSTRUCTED FOR THE CONVEYANCE OF STORMWATER AROUND, THROUGH, OR FROM THE EARTH DISTURBANCE AREA SHALL BE A STABILIZED CONVEYANCE DESIGNED TO MINIMIZE EROSION AND THE DISCHARGE OF SEDIMENT OFF SITE.
- CONCRETE WASH WATER SHALL BE CONTAINED AND DISPOSED OF IN ACCORDANCE WITH THE SMWP. NO WASH WATER SHALL BE DISCHARGED TO OR ALLOWED TO ENTER STATE WATERS, INCLUDING ANY SURFACE OR SUBSURFACE STORM DRAINAGE SYSTEM OR FACILITIES. CONCRETE WASHOUTS SHALL NOT BE LOCATED IN AN AREA WHERE SHALLOW GROUNDWATER MAY BE PRESENT, OR WITHIN 50 FEET OF A SURFACE WATER BODY, CREEK OR STREAM.
- DURING DEWATERING OPERATIONS OF UNCONTAMINATED GROUND WATER MAY BE DISCHARGED ON SITE, BUT SHALL NOT LEAVE THE SITE IN THE FORM OF SURFACE RUNOFF UNLESS AN APPROVED STATE DEWATERING PERMIT IS IN PLACE.
- EROSION CONTROL BLANKETING OR OTHER PROTECTIVE COVERING SHALL BE USED ON SLOPES STEEPER THAN 3:1.
- CONTRACTOR SHALL BE RESPONSIBLE FOR THE REMOVAL OF ALL WASTES FROM THE CONSTRUCTION SITE FOR DISPOSAL IN ACCORDANCE WITH LOCAL AND STATE REGULATORY REQUIREMENTS. NO CONSTRUCTION DEBRIS, TREE SLASH, BUILDING MATERIAL WASTES OR UNUSED BUILDING MATERIALS SHALL BE BURIED, DUMPED, OR DISCHARGED AT THE SITE.
- WASTE MATERIALS SHALL NOT BE TEMPORARILY PLACED OR STORED IN THE STREET, ALLEY, OR OTHER PUBLIC WAY, UNLESS IN ACCORDANCE WITH AN APPROVED TRAFFIC CONTROL PLAN. CONTROL MEASURES MAY BE REQUIRED BY EL PASO COUNTY ENGINEERING IF DEEMED NECESSARY, BASED ON SPECIFIC CONDITIONS AND CIRCUMSTANCES.
- TRACKING OF SOILS AND CONSTRUCTION DEBRIS OFF-SITE SHALL BE MINIMIZED. MATERIALS TRACKED OFF-SITE SHALL BE CLEANED UP AND PROPERLY DISPOSED OF IMMEDIATELY.
- THE OWNER/DEVELOPER SHALL BE RESPONSIBLE FOR THE REMOVAL OF ALL CONSTRUCTION DEBRIS, DIRT, TRASH, ROCK, SEDIMENT, SOIL, AND SAND THAT MAY ACCUMULATE IN ROADS, STORM DRAINS AND OTHER DRAINAGE CONVEYANCE SYSTEMS AND STORMWATER APPURTENANCES AS A RESULT OF SITE DEVELOPMENT.
- THE QUANTITY OF MATERIALS STORED ON THE PROJECT SITE SHALL BE LIMITED, AS MUCH AS PRACTICAL, TO THAT QUANTITY REQUIRED TO PERFORM THE WORK IN AN ORDERLY SEQUENCE. ALL MATERIALS STORED ON-SITE SHALL BE STORED IN A NEAT, ORDERLY MANNER, IN THEIR ORIGINAL CONTAINERS, WITH ORIGINAL MANUFACTURER'S LABELS.
- NO CHEMICAL(S) HAVING THE POTENTIAL TO BE RELEASED IN STORMWATER ARE TO BE STORED OR USED ONSITE UNLESS PERMISSION FOR THE USE OF SUCH CHEMICAL(S) IS GRANTED IN WRITING BY THE ECM ADMINISTRATOR. IN GRANTING APPROVAL FOR THE USE OF SUCH CHEMICAL(S), SPECIAL CONDITIONS AND MONITORING MAY BE REQUIRED.
- BULK STORAGE OF ALLOWED PETROLEUM PRODUCTS OR OTHER ALLOWED LIQUID CHEMICALS IN EXCESS OF 55 GALLONS SHALL REQUIRE ADEQUATE SECONDARY CONTAINMENT PROTECTION TO CONTAIN ALL SPILLS ONSITE AND TO PREVENT ANY SPILLED MATERIALS FROM ENTERING STATE WATERS, ANY SURFACE OR SUBSURFACE STORM DRAINAGE SYSTEM OR OTHER FACILITIES.
- NO PERSON SHALL CAUSE THE IMPEDIMENT OF STORMWATER FLOW IN THE CURB AND GUTTER OR DITCH EXCEPT WITH APPROVED SEDIMENT CONTROL MEASURES.
- OWNER/DEVELOPER AND THEIR AGENTS SHALL COMPLY WITH THE "COLORADO WATER QUALITY CONTROL ACT" (TITLE 25, ARTICLE 8, CRS), AND THE "CLEAN WATER ACT" (33 USC 1344), IN ADDITION TO THE REQUIREMENTS OF THE LAND DEVELOPMENT CODE, DCM VOLUME II AND THE ECM APPENDIX I. ALL APPROPRIATE PERMITS MUST BE OBTAINED BY THE CONTRACTOR PRIOR TO CONSTRUCTION (1041, NPDES, FLOODPLAIN, 404, FUGITIVE DUST, ETC.). IN THE EVENT OF CONFLICTS BETWEEN THESE REQUIREMENTS AND OTHER LAWS, RULES, OR REGULATIONS OF OTHER FEDERAL, STATE, LOCAL, OR COUNTY AGENCIES, THE MOST RESTRICTIVE LAWS, RULES, OR REGULATIONS SHALL APPLY.
- ALL CONSTRUCTION TRAFFIC MUST ENTER/EXIT THE SITE ONLY AT APPROVED CONSTRUCTION ACCESS POINTS.
- PRIOR TO CONSTRUCTION THE PERMITTEE SHALL VERIFY THE LOCATION OF EXISTING UTILITIES.
- A WATER SOURCE SHALL BE AVAILABLE ON SITE DURING EARTHWORK OPERATIONS AND SHALL BE UTILIZED AS REQUIRED TO MINIMIZE DUST FROM EARTHWORK EQUIPMENT AND WIND.
- THE SOILS REPORT FOR THIS SITE PREPARED BY ENTECH DATED 21 JULY 2023 SHALL BE CONSIDERED A PART OF THESE PLANS.

COLORADO DEPARTMENT OF PUBLIC HEALTH AND ENVIRONMENT  
WATER QUALITY CONTROL DIVISION  
WQCD - PERMITS  
4300 CHERRY CREEK DRIVE SOUTH  
DENVER, CO 80246-1530  
ATTN: PERMITS UNIT



TYPICAL RIPRAP APRON/  
CULVERT OUTLET PAVING (A)  
NOT TO SCALE

### SEEDING MIX:

(FOR GENERAL SEEDING & GRASS-LINED CHANNELS)

GRASS	VARIETY	AMOUNT IN PLS LBS. PER ACRE
CRESTED WHEAT GRASS	EPHRAIM OR HYCREST	4.0 LBS.
PERENNIAL RYE	LINN	2.0 LBS.
WESTERN WHEATGRASS	SARTON	3.0 LBS.
SMOOTH BROME GRASS	LINCOLN OR MANCHAR	5.0 LBS.
SIDE-OATS GRAMA	EPHRAIM	2.5 LBS.
TOTAL:		16.5 LBS.

SEEDING & FERTILIZER APPLICATION: DRILL SEED OR HYDRO-SEED PER CDOT SPEC. SECTION 212.

MULCHING APPLICATION: CONFORM TO CDOT SPEC-SECTION 213.

### ESTIMATED TIME SCHEDULE:

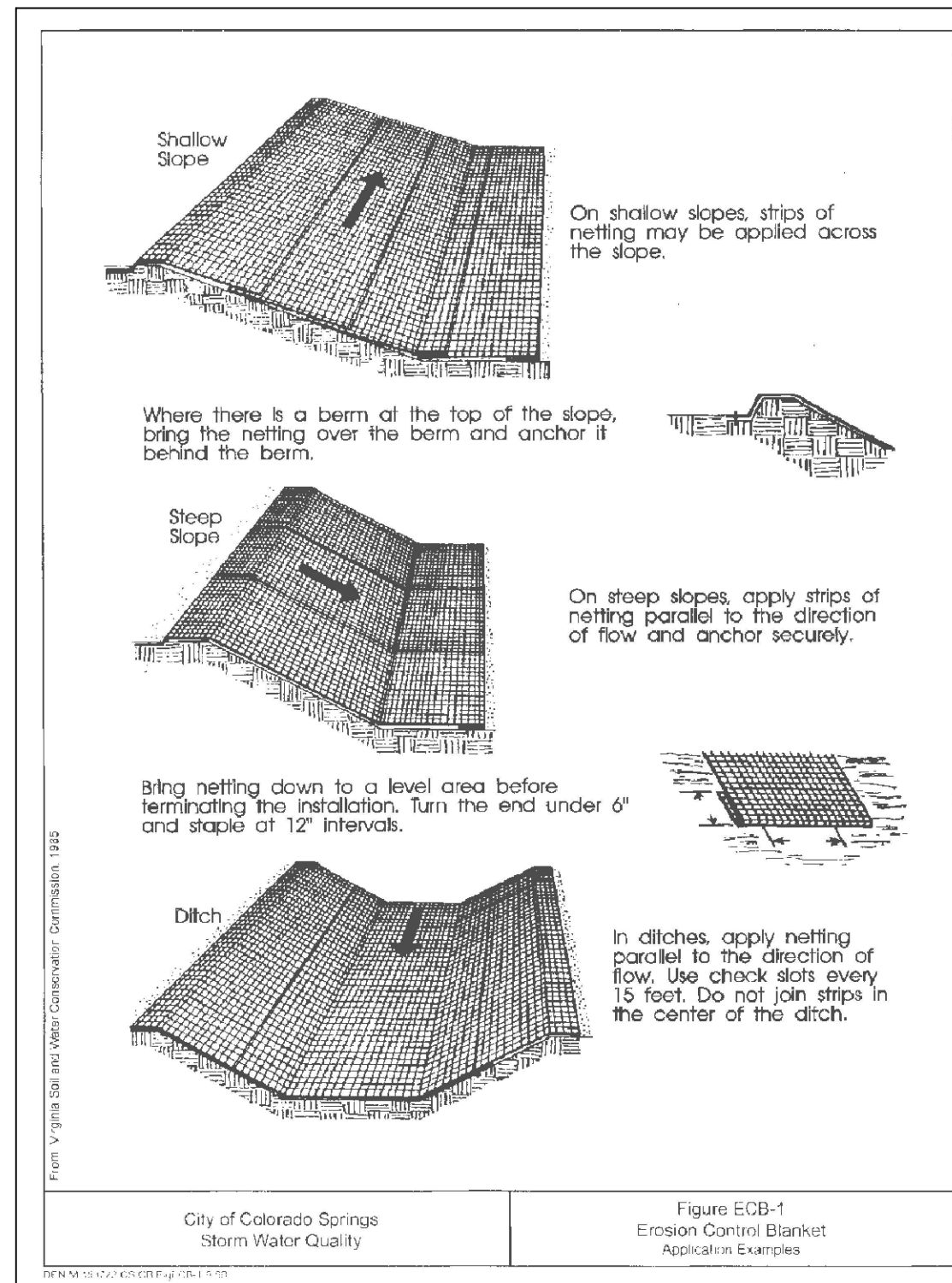
INSTALL BMP'S	MAY, 2024
GRADING START	MAY, 2024
GRADING COMPLETION	MAY, 2025
SEEDING & MULCHING	SEPTEMBER, 2025
STABILIZATION	SEPTEMBER, 2026

### SEDIMENT CONTROL MAINTENANCE PROGRAM:

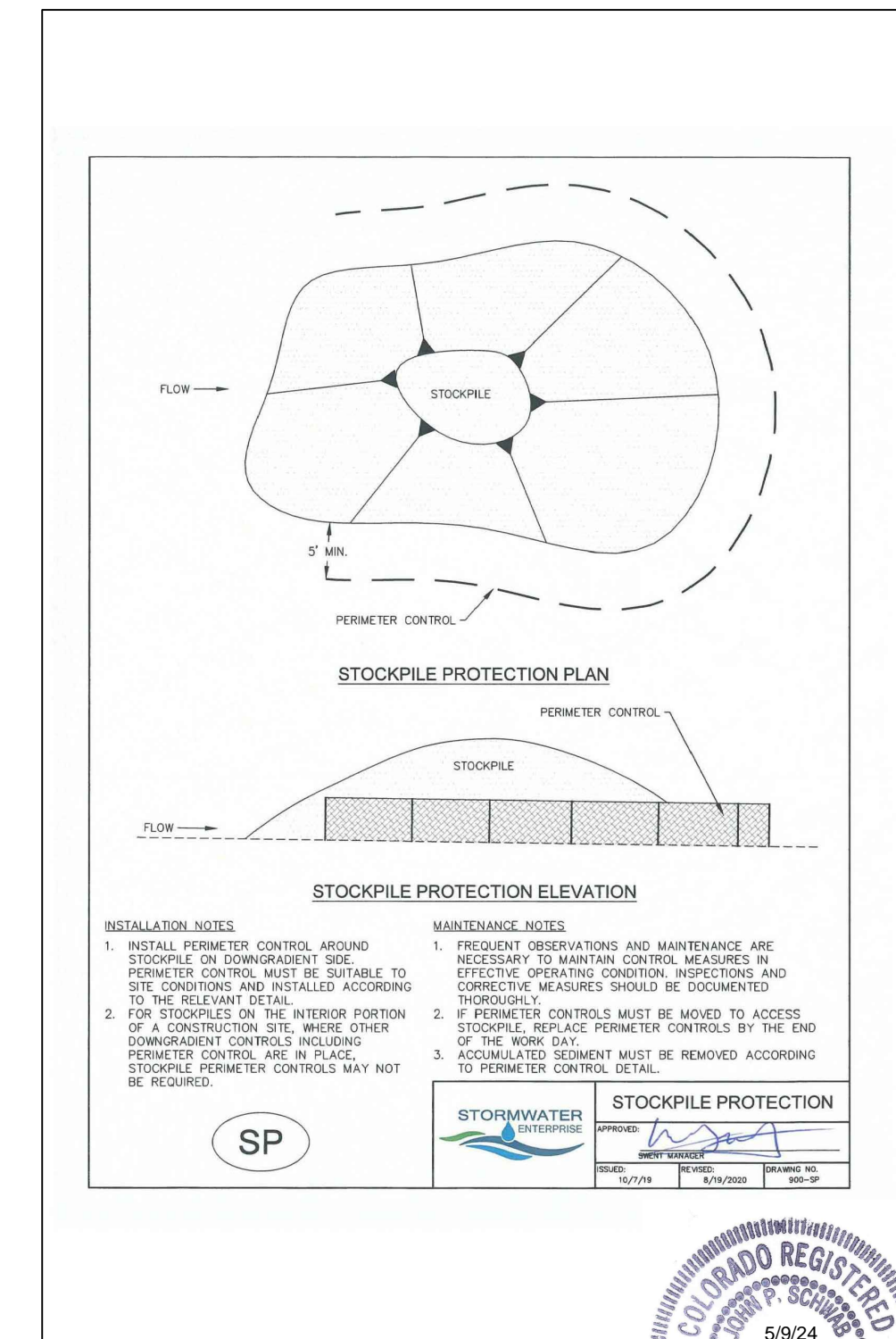
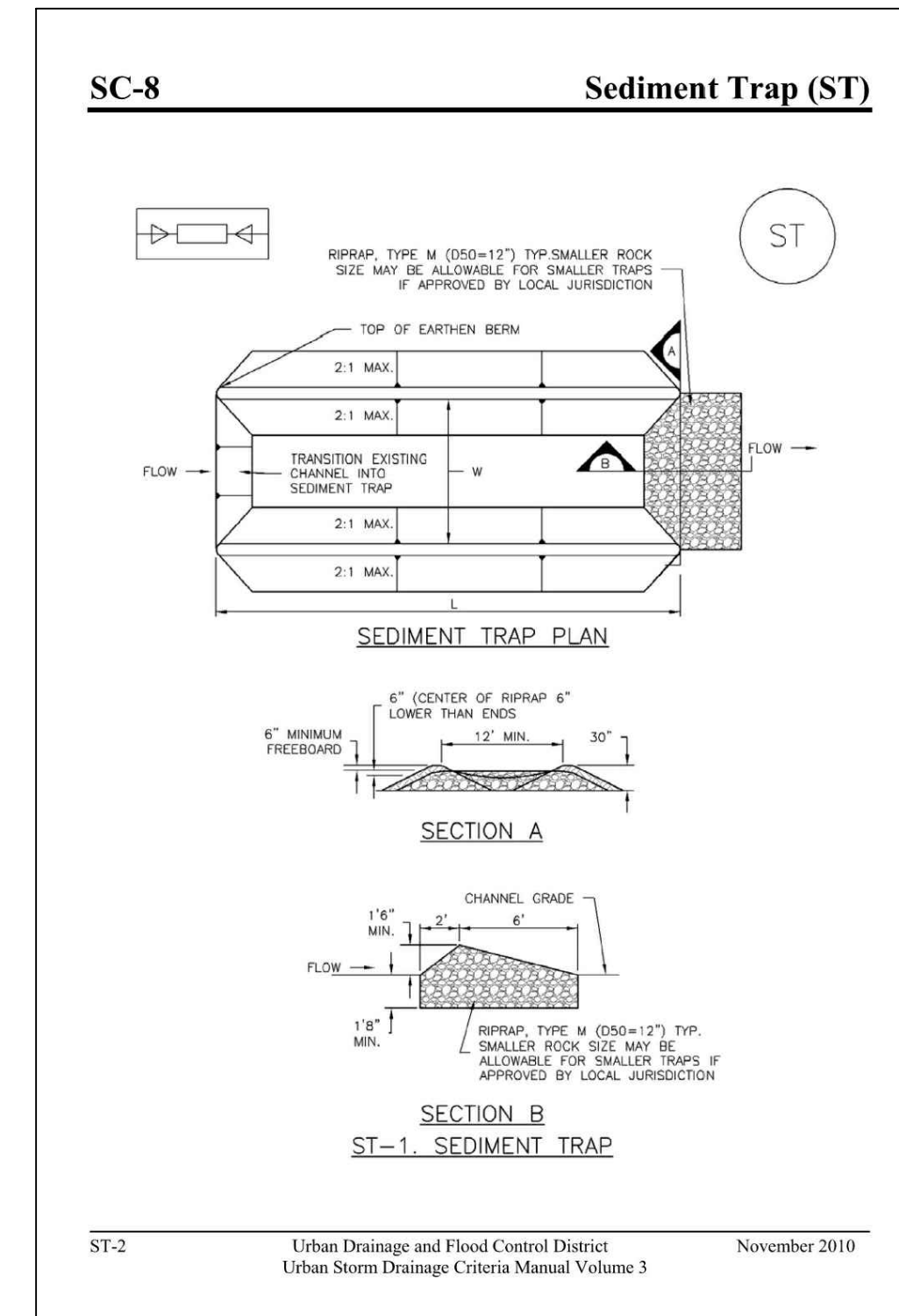
	FREQUENCY
PERIODIC SITE INSPECTIONS	BI-WEEKLY
RE-VEGETATION OF EXPOSED SOILS	WITHIN 21 DAYS OF GRADING <sup>2</sup>
SEDIMENT REMOVAL FROM BMP'S	MONTHLY
REMOVAL OF BMP'S	AFTER STABILIZATION ACHIEVED

<sup>1</sup> AND AFTER ANY PRECIPITATION OR SNOW MELT EVENT THAT CAUSES SURFACE EROSION.

<sup>2</sup> ACCUMULATED SEDIMENT AND DEBRIS SHALL BE REMOVED WHEN THE SEDIMENT LEVEL REACHES ONE HALF THE HEIGHT OF THE BMP OR AT ANY TIME THAT SEDIMENT OR DEBRIS ADVERSELY IMPACTS THE FUNCTION OF THE BMP.

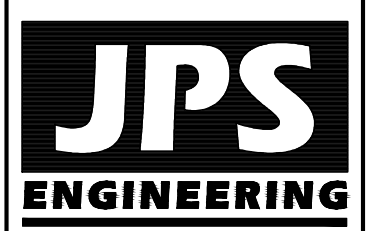


TRM TURF REINFORCEMENT MATS  
(TENSAR ERONET SC150 OR EQUAL)

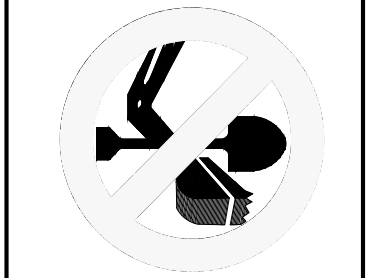


# NORWOOD BIBLE CHURCH LOT 38, SADDLEHORN RANCH FILING NO. 3

## CIVIL AND EROSION CONTROL NOTES AND DETAILS



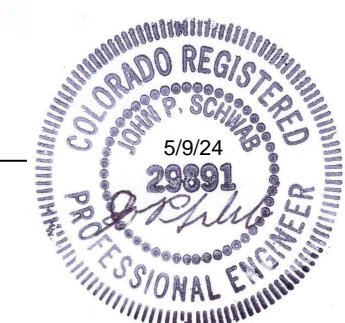
19 E. Wilomette Ave.  
Colorado Springs, CO  
80903  
PH: 719-477-9429  
FAX: 719-471-0766  
www.jpsengr.com



CALL UTILITY NOTIFICATION  
CENTER OF COLORADO  
1-800-922-1987  
CALL 2-BUSINESS DAYS IN ADVANCE  
BEFORE YOU DIG, GRADE, OR EXCAVATE  
FOR THE MARKING OF UNDERGROUND  
MEMBER UTILITIES.

No.	REVISION	BY	DATE
1		JPS	

HORIZ. SCALE:	N/A	DRAWN:	PV
VERT. SCALE:	N/A	DESIGNED:	JPS
SURVEYED:	N/A	CHECKED:	JPS
CREATED:	08/29/22	LAST MODIFIED:	05/08/24
PROJECT NO.:	042303	MODIFIED BY:	PV



C3.1

### SEEDING & MULCHING

ALL SOIL TESTING, SOILS AMENDMENT AND FERTILIZER DOCUMENTATION, AND SEED LOAD AND BAG TICKETS MUST BE ADDED TO THE CSMP.

**SOIL PREPARATION**

- IN AREAS TO BE SEED, THE UPPER 6 INCHES OF THE SOIL MUST NOT BE HEAVILY COMPACTED, AND SHOULD BE IN FRABLE CONDITION. LESS THAN 85% STANDARD PROCTOR DENSITY IS ACCEPTABLE. AREAS OF COMPACTION OR GENERAL CONSTRUCTION ACTIVITY MUST BE SCRIPPED TO A DEPTH OF 6 TO 12 INCHES PRIOR TO SPREADING TOPSOIL TO BREAK UP COMPACTED LAYERS AND PROVIDE A BLENDING ZONE BETWEEN DIFFERENT SOIL LAYERS.
- AREAS TO BE PLANTED SHALL HAVE AT LEAST 4 INCHES OF TOPSOIL SUITABLE TO SUPPORT PLANT GROWTH.
- THE CITY RECOMMENDS THAT EXISTING AND/OR IMPORTED TOPSOIL BE TESTED TO IDENTIFY SOIL DEFICIENCIES AND ANY SOIL AMENDMENTS NECESSARY TO ADDRESS THESE DEFICIENCIES. SOIL AMENDMENTS AND/OR FERTILIZERS SHOULD BE ADDED TO CORRECT TOPSOIL DEFICIENCIES BASED ON SOIL TESTING RESULTS.
- TOPSOIL SHALL BE PROTECTED DURING THE CONSTRUCTION PERIOD TO RETAIN ITS STRUCTURE. AVOID COMPACTION AND TO PREVENT EROSION AND CONTAMINATION, STRIPPED TOPSOIL MUST BE STORED IN AN AREA AWAY FROM MACHINERY AND CONSTRUCTION OPERATIONS, AND CARE MUST BE TAKEN TO PROTECT THE TOPSOIL AS A VALUABLE COMMODITY. TOPSOIL MUST NOT BE STRIPPED DURING UNDESIRABLE WORKING CONDITIONS (E.G. DURING WET WEATHER OR WHEN SOILS ARE SATURATED). TOPSOIL SHALL NOT BE STORED IN SHALES OR IN AREAS WITH POOR DRAINAGE.

**SEEDING**

- ALLOWABLE SEED MIXES ARE INCLUDED IN THE CITY OF COLORADO SPRINGS STORMWATER CONSTRUCTION MANUAL. ALTERNATE SEED MIXES ARE ACCEPTABLE IF INCLUDED IN AN APPROVED LANDSCAPING PLAN.
- SEED SHOULD BE DRILL-SEEDED WHENEVER POSSIBLE.
- SEED DEPTH MUST BE 1/2 TO 3/4 INCHES WHEN DRILL-SEEDED IS USED.
- BROADCAST SEEDING OR HYDRIC SEEDING WITH TACKLER MAY BE SUBSTITUTED ON SLOPES STEEPER THAN 3:1 OR ON OTHER AREAS NOT PRACTICAL TO DRILL SEED.
- SEEDING RATES MUST BE DOUBLED FOR BROADCAST SEEDING OR INCREASED BY 50% IF USING A BRILLION SHALL OR HYDRIC-SEEDED.
- BROADCAST SEEDING MUST BE LIGHTLY HAND-RAINED INTO THE SOIL.

**MULCHING**

- MULCHING SHOULD BE COMPLETED AS SOON AS PRACTICABLE AFTER SEEDING, HOWEVER PLANTED AREAS MUST BE MULCHED NO LATER THAN 14 DAYS AFTER PLANTING.
- MULCHING REQUIREMENTS INCLUDE:
  - ONLY CERTIFIED WEED-FREE AND CERTIFIED SEED-FREE MULCH MAY BE USED. MULCH MUST BE APPLIED AT 2 TONS/ACRE AND ADEQUATELY SECURED BY CHAINING AND/OR TACKLER.
  - CHAINING MUST NOT BE USED ON SLOPES GREATER THAN 3:1 AND MULCH FIBERS MUST BE TUCKED INTO THE SOIL TO A DEPTH OF 1/2 TO 4 INCHES.
  - TACKLER MUST BE USED IN PLACE OF CHAINING ON SLOPES STEEPER THAN 3:1.
- HYDRIC MULCHING
  - HYDRIC MULCHING IS AN OPTION ON STEEP SLOPES OR WHERE ACCESS IS LIMITED.
  - IF HYDRIC-SEEDED IS USED, MULCHING MUST BE APPLIED AS A SEPARATE, SECOND OPERATION.
  - WOOD CELLULOSE FIBERS MIXED WITH WATER MUST BE APPLIED AT A RATE OF 2,000 TO 2,500 POUNDS/ACRE, AND TACKLER MUST BE APPLIED AT A RATE OF 100 POUNDS/ACRE.
  - EROSION CONTROL BLANKET MAY BE USED IN PLACE OF TRADITIONAL MULCHING METHODS.

City of Colorado Springs Stormwater Quality **Figure SF-2** **Silt Fence** Construction Detail and Maintenance Requirements

**SILT FENCE NOTES**

**INSTALLATION REQUIREMENTS**

- SILT FENCES SHALL BE INSTALLED PRIOR TO ANY LAND DISTURBING ACTIVITIES.
- WHEN JOINTS ARE NECESSARY, SILT FENCE GEOTEXTILE SHALL BE SEALED TOGETHER ONLY AT SUPPORT POSTS AND SECURELY SEALED.
- METAL POSTS SHALL BE "STUDDED TEE" OR "T" TYPE WITH MINIMUM HEIGHT OF 1.5 FEET FROM GRADE. WOOD POSTS SHALL HAVE A MINIMUM DIAMETER OF CROSS SECTION DIMENSION OF 2 INCHES.
- THE FILTER MATERIAL SHALL BE FASTENED SECURELY TO METAL OR WOOD POSTS USING WIRE TIES, OR TO WOOD POSTS WITH JAIL UNLESS IN HEAVY-SILT SITUATIONS. THE SILT FENCE GEOTEXTILE SHALL NOT BE STAPLED TO EXISTING TREES.
- WHERE NOT REQUIRED, WIRE MESH FENCE MAY BE USED TO SUPPORT THE GEOTEXTILE. WIRE FENCE SHALL BE FASTENED SECURELY TO THE UPRIGHTS OF THE POSTS USING HEAVY-DUTY WIRE STAPLED AT LEAST 3/4" LONG, BE WIRE OR HOOD BOND. 3/4" WIRE SHALL EXTEND INTO THE TRENCH A MINIMUM OF 6" AND SHALL NOT EXTEND MORE THAN 2" ABOVE THE ORIGINAL GROUND SURFACE.
- SILT FENCES SHALL BE REMOVED WHEN ADEQUATE VEGETATIVE COVER IS ATTAINED AS APPROVED BY THE CITY.

6. ALONG THE TEE OF FILLS, INSTALL THE SILT FENCE ALONG A LEVEL CONTOUR AND PROVIDE AN AREA BEHIND THE TRENCH FOR READY TO BE AND SEWAGE TO SETTLE. A MINIMUM DISTANCE OF 5 FEET FROM THE TEE OF THE FILL IS RECOMMENDED.

7. THE HEIGHT OF THE SILT FENCE FROM THE GROUND SURFACE SHALL BE MINIMUM OF 24 INCHES AND SHALL NOT EXCEED 36 INCHES. HIGHER FENCES MAY INCREASE VOLUMES OF WATER SUFFICIENT TO CAUSE FAILURE OF THE STRUCTURE.

**MAINTENANCE REQUIREMENTS**

- CONTRACTOR SHALL INSPECT SILT FENCES IMMEDIATELY AFTER EACH RAINFALL AT LEAST DAILY DURING PROLONGED RAINFALL, AND WEEKLY DURING PERIODS OF NO RAINFALL. DAMAGED, COLLAPSED, UNINTENDED OR INEFFECTIVE SILT FENCES SHALL BE PROMPTLY REPAIRED OR REPLACED.
- SEDIMENT SHALL BE REMOVED FROM BEHIND SILT FENCE WHEN IT ACCUMULATES TO HALF THE EXPOSED GEOTEXTILE HEIGHT.
- OTHER ASSOCIATED SEDIMENT CONTROL MEASURES SHALL BE INSPECTED TO ENSURE GOOD WORKING CONDITION.

City of Colorado Springs Stormwater Quality **Figure VT-2** **Vehicle Tracking** Application Examples

**VEHICLE TRACKING NOTES**

**INSTALLATION REQUIREMENTS**

- ALL ENTRANCES TO THE CONSTRUCTION SITE ARE TO BE STABILIZED PRIOR TO CONSTRUCTION BEGINNING.
- CONSTRUCTION ENTRANCES ARE TO BE BUILT WITH AN APRON TO ALLOW FOR TURNING TRAFFIC, BUT SHOULD NOT BE BUILT OVER EXISTING PAVEMENT EXCEPT FOR A SLOTTED OVERLAY.
- AREAS TO BE STABILIZED ARE TO BE PROPERLY GRADED AND COMPACTED PRIOR TO LAYING DOWN GEOTEXTILE AND STONE.
- CONSTRUCTION ROADS, PARKING AREAS, LOADING/UNLOADING ZONES, STORAGE AREAS, AND STAGING AREAS ARE TO BE STABILIZED.
- CONSTRUCTION ROADS ARE TO BE BUILT TO CONFORM TO SITE GRAD, BUT SHOULD NOT HAVE SLOPES GREATER THAN ROAD GRAD. AREAS THAT ARE EXCESSIVELY STEEP:

**MAINTENANCE REQUIREMENTS**

- REGULAR INSPECTIONS ARE TO BE MADE OF ALL STABILIZED AREAS, ESPECIALLY AFTER STORM EVENTS.
- STONES ARE TO BE REPLACED PERIODICALLY AND WHEN REPAIR IS NECESSARY.
- SEDIMENT TRACKED ONTO PAVED ROADS IS TO BE REMOVED DAILY BY SHOULDER OR SWEEPING. SEDIMENT IS NOT TO BE WASHED DOWN STORM SEWER DRAINS.
- STORM SEWER INLET PROTECTION IS TO BE IN PLACE, INSPECTED, AND CLEANED IF NECESSARY.
- OTHER ASSOCIATED SEDIMENT CONTROL MEASURES ARE TO BE INSPECTED TO ENSURE GOOD WORKING CONDITION.

City of Colorado Springs Stormwater Quality **Figure IP-3** **Block & Gravel Bag Curb Inlet Protection** Construction Detail and Maintenance Requirements

**BLOCK AND GRAVEL BAG CURB INLET PROTECTION NOTES**

**INSTALLATION REQUIREMENTS**

- INLET PROTECTION SHALL BE INSTALLED IMMEDIATELY AFTER CONSTRUCTION OF INLET.
- CONCRETE BLOCKS ARE TO BE LAID AROUND THE INLET TO A MINIMUM OF 24 INCHES IN DIAMETER. ONE ANOTHER WITH THE OPEN ENDS OF THE BLOCK FACING OUTWARD.
- GRAVEL BAGS ARE TO BE PLACED AROUND THE CONCRETE BLOCKS CLOSELY ABUTTING ONE ANOTHER SO THERE ARE NO GAPS.
- GRAVEL BAGS ARE TO CONTAIN WASHED SAND OR GRAVEL APPROXIMATELY 24 INCH IN DIAMETER.
- BAGS ARE TO BE MADE OF 1/4" INCH WIRE MESH (USED WITH GRAVEL ONLY) OR GEOTEXTILE.
- \*AN ALTERNATE 3/4" TO 1" GRAVEL FILTER OVER A WIRE SCREEN MAY BE USED IN PLACE OF GRAVEL BAGS. THE WIRE MESH SHALL EXTEND ABOVE THE TOP OF THE CONCRETE BLOCKS AND THE GRAVEL PLACED OVER THE WIRE SCREEN TO THE TOP OF THE CONCRETE BLOCKS.

**MAINTENANCE REQUIREMENTS**

- CONTRACTOR SHALL INSPECT INLET PROTECTION IMMEDIATELY AFTER EACH RAINFALL AT LEAST DAILY DURING PROLONGED RAINFALL AND WEEKLY DURING PERIODS OF NO RAINFALL.
- DAMAGED OR INEFFECTIVE INLET PROTECTION SHALL PROMPTLY BE REPAIRED OR REPLACED.
- SEDIMENT SHALL BE REMOVED WHEN SEDIMENT HAS ACCUMULATED TO APPROXIMATELY 1/2 THE DESIGN DEPTH OF THE TRAP.
- INLET PROTECTION SHALL BE REMOVED WHEN ADEQUATE VEGETATIVE COVER IS ATTAINED WITHIN THE DRAINAGE AREA AS APPROVED BY THE CITY.

City of Colorado Springs Stormwater Quality **Figure IP-3** **Block & Gravel Bag Curb Inlet Protection** Construction Detail and Maintenance Requirements

### EC-8 Temporary Outlet Protection (TOP)

**TEMPORARY OUTLET PROTECTION PLAN**

**SECTION A**

**SECTION B**

**TABLE OF 1/2" TEMPORARY OUTLET PROTECTION SIZING TABLE**

PIPE DIAMETER, D (INCHES)	DISCHARGE Q (GPM)	APRON LENGTH, LA (FT)	APRON DIAMETER, D (INCHES)
8	2.5	5	4
12	5	10	4
18	10	15	6
24	20	20	12
30	30	25	18
36	40	30	24
42	50	35	30
48	60	40	36

City of Colorado Springs Stormwater Quality **Figure IP-3** **Block & Gravel Bag Curb Inlet Protection** Construction Detail and Maintenance Requirements

### Stabilized Staging Area (SSA) SM-6

**SSA-1, STABILIZED STAGING AREA**

**STABILIZED STAGING AREA INSTALLATION NOTES**

- SEE PLAN VIEW FOR LOCATION OF STAGING AREAS. CONTRACTOR MAY ADJUST LOCATION AND SIZE OF STAGING AREA WITH APPROVAL FROM THE LOCAL JURISDICTION.
- STABILIZED STAGING AREA SHOULD BE APPROPRIATE FOR THE NEEDS OF THE SITE. OVERSIZING RESULTS IN A LARGER AREA TO STABILIZE FOLLOWING CONSTRUCTION.
- STAGING AREA SHALL BE STABILIZED PRIOR TO OTHER OPERATIONS ON THE SITE.
- THE STABILIZED STAGING AREA SHALL CONSIST OF A MINIMUM 3" THICK GRANULAR MATERIAL.
- UNLESS OTHERWISE SPECIFIED BY LOCAL JURISDICTION, ROCK SHALL NOT BE USED FOR STAGING AREAS.
- ADDITIONAL PERIMETER BMPs MAY BE REQUIRED INCLUDING BUT NOT LIMITED TO SILT FENCE AND CONSTRUCTION FENCE.

**STABILIZED STAGING AREA MAINTENANCE NOTES**

- INSPECT BMPs EACH WORKDAY, AND MAINTAIN THEM IN EFFECTIVE OPERATING CONDITION. MAINTENANCE OF BMPs SHOULD BE PROACTIVE, NOT REACTIVE. INSPECT BMPs AS SOON AS POSSIBLE (AND ALWAYS WITHIN 24 HOURS) FOLLOWING A STORM THAT CAUSES SURFACE EROSION, AND PERFORM NECESSARY MAINTENANCE.
- FREQUENT OBSERVATIONS AND MAINTENANCE ARE NECESSARY TO MAINTAIN BMPs IN EFFECTIVE OPERATING CONDITION. INSPECTIONS AND CORRECTIVE MEASURES SHOULD BE DOCUMENTED THOROUGHLY.
- WHERE BMPs HAVE FAILED, REPAIR OR REPLACEMENT SHOULD BE INITIATED UPON DISCOVERY OF THE FAILURE.
- ROCK SHALL BE REPLACED OR REGRADED AS NECESSARY IF RUTTING OCCURS OR UNDERLYING SUBSTRATE BECOMES EXPOSED.

City of Colorado Springs Stormwater Quality **Figure SF-2** **Silt Fence** Construction Detail and Maintenance Requirements

### Stabilized Staging Area (SSA) SM-6

**STABILIZED STAGING AREA MAINTENANCE NOTES**

- STABILIZED STAGING AREA SHALL BE ENLARGED IF NECESSARY TO CONTAIN PARKING, STORAGE, AND UNLOADING/LOADING OPERATIONS.
- THE STABILIZED STAGING AREA SHALL BE REMOVED AT THE END OF CONSTRUCTION. THE GRANULAR MATERIAL SHALL BE REMOVED OR, IF APPROVED BY THE LOCAL JURISDICTION, USED ON SITE, AND THE AREA COVERED WITH TOPSOIL, SEED, AND MULCH OR OTHERWISE STABILIZED IN A MANNER APPROVED BY LOCAL JURISDICTION.

NOTE: MANY JURISDICTIONS PROHIBIT THE USE OF RECYCLED CONCRETE AS GRANULAR MATERIAL FOR STABILIZED STAGING AREAS DUE TO DIFFICULTIES WITH RE-ESTABLISHMENT OF VEGETATION IN AREAS WHERE RECYCLED CONCRETE HAS BEEN PLACED.

NOTE: MANY JURISDICTIONS HAVE BMP DETAILS THAT VARY FROM UDFCD STANDARD DETAILS. CONSULT WITH LOCAL JURISDICTIONS AS TO WHICH DETAIL SHOULD BE USED WHEN DIFFERENCES ARE NOTED.

(DETAILS ADAPTED FROM DOUGLAS COUNTY, COLORADO, NOT AVAILABLE IN AUTOCAD)

City of Colorado Springs Stormwater Quality **Figure SF-2** **Silt Fence** Construction Detail and Maintenance Requirements

### Concrete Washout Area (CWA) MM-1

**CWA-1, CONCRETE WASHOUT AREA**

**CWA INSTALLATION NOTES**

- SEE PLAN VIEW FOR CWA INSTALLATION LOCATION.
- DO NOT LOCATE AN UNLINED CWA WITHIN 400' OF ANY NATURAL DRAINAGE PATHWAY OR WATERBODY. DO NOT LOCATE WITHIN 1,000' OF ANY WELLS OR DRINKING WATER SOURCES. IF SITE CONSTRAINTS MAKE THIS INFEASIBLE, OR IF HOLES PERMEABLE SOILS EXIST ON SITE, THE CWA MUST BE INSTALLED WITH AN IMPERMEABLE LINER (1/8" MIN. THICKNESS) OR SURFACE STORAGE ALTERNATIVES USING PREFABRICATED CONCRETE WASHOUT DEVICES OR A LINED ABOVE GROUND STORAGE ARE SHOULD BE USED.
- THE CWA SHALL BE INSTALLED PRIOR TO CONCRETE PLACEMENT ON SITE.
- CWA SHALL INCLUDE A FLAT SUBSURFACE PIT THAT IS AT LEAST 8" BY 8" SLOPES LEADING OUT OF THE SUBSURFACE PIT SHALL BE 3:1 OR FLATTER. THE PIT SHALL BE AT LEAST 3' DEEP.
- BERM SURROUNDING SIDES AND BACK OF THE CWA SHALL HAVE MINIMUM HEIGHT OF 1'.
- VEHICLE TRACKING PAD SHALL BE SLOPED 2% TOWARDS THE CWA.
- SIGNS SHALL BE PLACED AT THE CONSTRUCTION ENTRANCE AT THE CWA, AND ELSEWHERE AS NECESSARY TO CLEARLY INDICATE THE LOCATION OF THE CWA TO OPERATORS OF CONCRETE TRUCKS AND PUMP TRUCKS.
- USE EXCAVATED MATERIAL FOR PERIMETER BERM CONSTRUCTION.

City of Colorado Springs Stormwater Quality **Figure SF-2** **Silt Fence** Construction Detail and Maintenance Requirements

### Sediment Control Log (SCL) SC-2

**SEDIMENT CONTROL LOG JOINTS**

**SCL-1, SEDIMENT CONTROL LOG**

City of Colorado Springs Stormwater Quality **Figure SF-2** **Silt Fence** Construction Detail and Maintenance Requirements

### Inlet Protection (IP) SC-6

**CIP-1, CULVERT INLET PROTECTION**

**CULVERT INLET PROTECTION INSTALLATION NOTES**

- SEE PLAN VIEW FOR LOCATION OF CULVERT INLET PROTECTION.
- SEE ROCK SOCK DESIGN DETAIL FOR ROCK GRADATION REQUIREMENTS AND JOINTING DETAIL.

**CULVERT INLET PROTECTION MAINTENANCE NOTES**

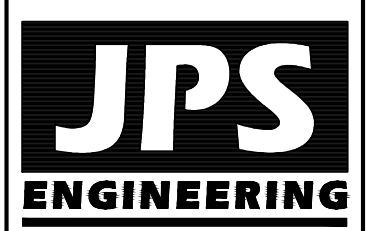
- INSPECT BMPs EACH WORKDAY, AND MAINTAIN THEM IN EFFECTIVE OPERATING CONDITION. MAINTENANCE OF BMPs SHOULD BE PROACTIVE, NOT REACTIVE. INSPECT BMPs AS SOON AS POSSIBLE (AND ALWAYS WITHIN 24 HOURS) FOLLOWING A STORM THAT CAUSES SURFACE EROSION, AND PERFORM NECESSARY MAINTENANCE.
- FREQUENT OBSERVATIONS AND MAINTENANCE ARE NECESSARY TO MAINTAIN BMPs IN EFFECTIVE OPERATING CONDITION. INSPECTIONS AND CORRECTIVE MEASURES SHOULD BE DOCUMENTED THOROUGHLY.
- WHERE BMPs HAVE FAILED, REPAIR OR REPLACEMENT SHOULD BE INITIATED UPON DISCOVERY OF THE FAILURE.
- SEDIMENT ACCUMULATED UPSTREAM OF THE CULVERT SHALL BE REMOVED WHEN THE SEDIMENT DEPTH IS 1/2 THE HEIGHT OF THE ROCK SOCK.
- CULVERT INLET PROTECTION SHALL REMAIN IN PLACE UNTIL THE UPRISTREAM DISTURBED AREA IS PERMANENTLY STABILIZED AND APPROVED BY THE LOCAL JURISDICTION.

(DETAILS ADAPTED FROM ARAPAHO COUNTY, COLORADO, NOT AVAILABLE IN AUTOCAD)

NOTE: MANY JURISDICTIONS HAVE BMP DETAILS THAT VARY FROM UDFCD STANDARD DETAILS. CONSULT WITH LOCAL JURISDICTIONS AS TO WHICH DETAIL SHOULD BE USED WHEN DIFFERENCES ARE NOTED.

City of Colorado Springs Stormwater Quality **Figure SF-2** **Silt Fence** Construction Detail and Maintenance Requirements

**NORWOOD BIBLE CHURCH**  
**LOT 38, SADDLEHORN RANCH FILING NO. 3**



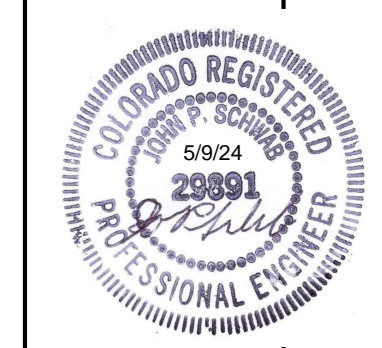
19 E. Wilamette Ave.  
Colorado Springs, CO 80903  
PH: 719-477-9429  
FAX: 719-471-0766  
www.jsengr.com



CALL UTILITY NOTIFICATION CENTER OF COLORADO  
**1-800-922-1987**  
 CALL 2-BUSINESS DAYS IN ADVANCE BEFORE YOU DIG, GRADE, OR EXCAVATE FOR THE MARKING OF UTILITIES.  
 MEMBER UTILITIES

No.	REVISION	DATE
1		
2		
3		
4		
5		
6		
7		
8		
9		
10		

**EROSION CONTROL DETAILS**



HORZ. SCALE:	N/A	DRAWN:	PV
VERT. SCALE:	N/A	DESIGNED:	JPS
SURVEYED:	JR	CHECKED:	JPS
CREATED:	08/29/22	LAST MODIFIED:	01/11/24
PROJECT NO:	042303	MODIFIED BY:	PV

SHEET: **C3.2**