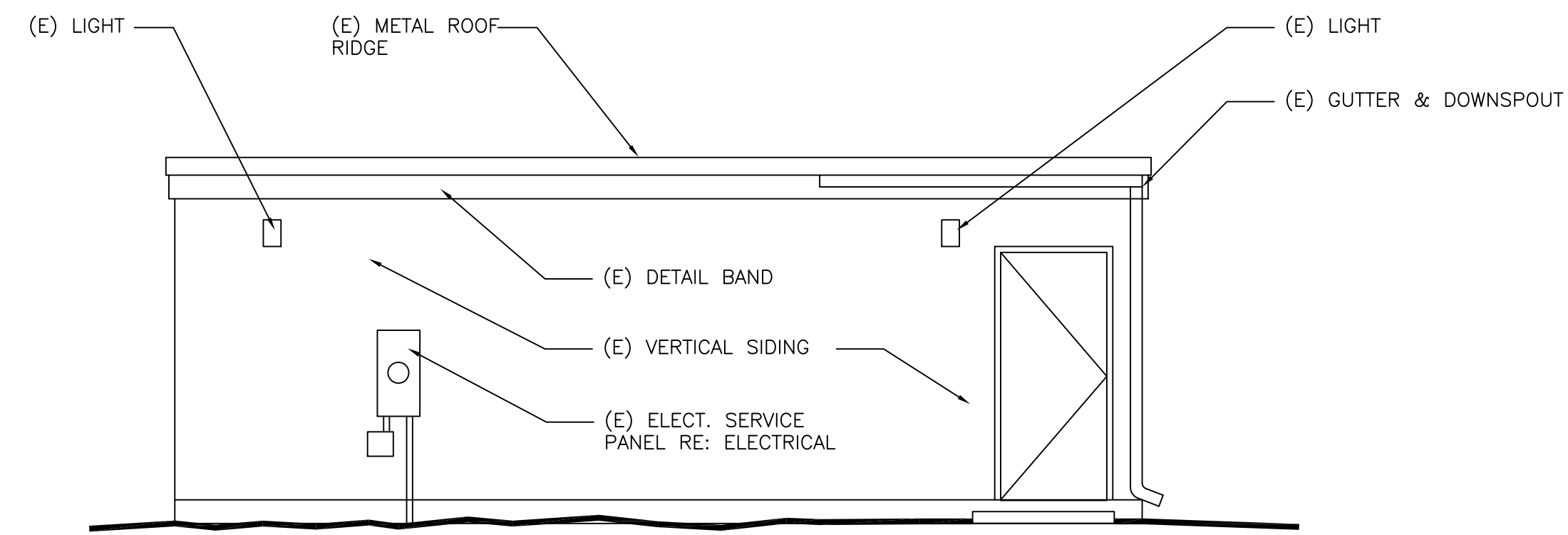
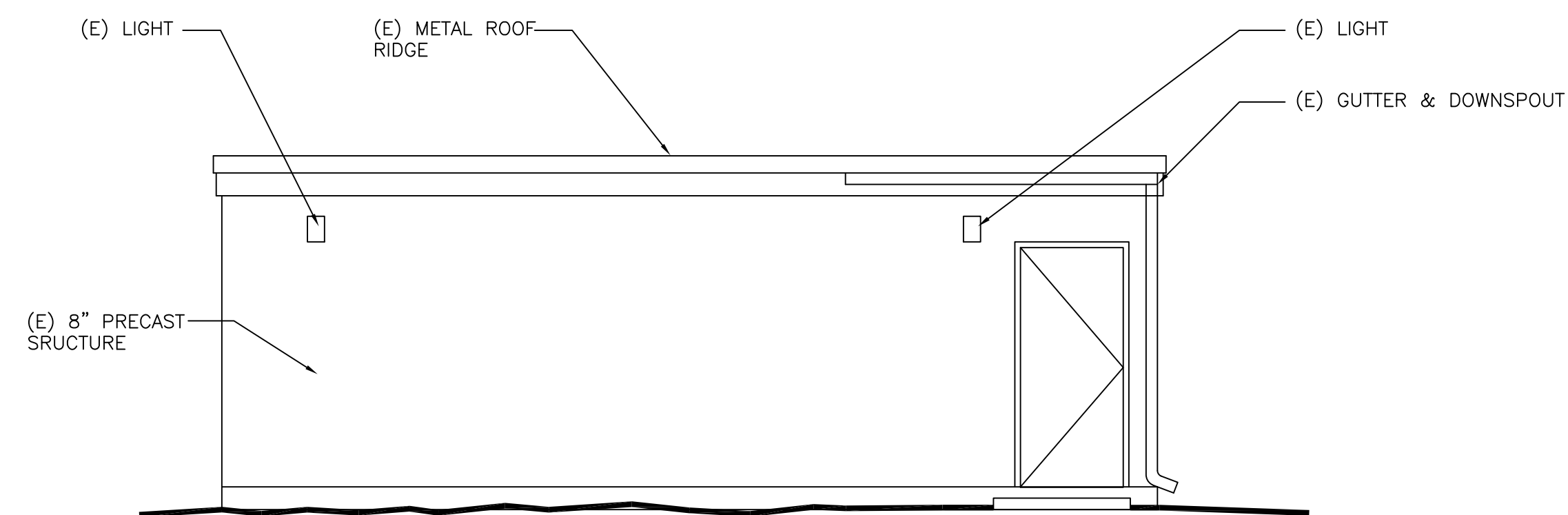


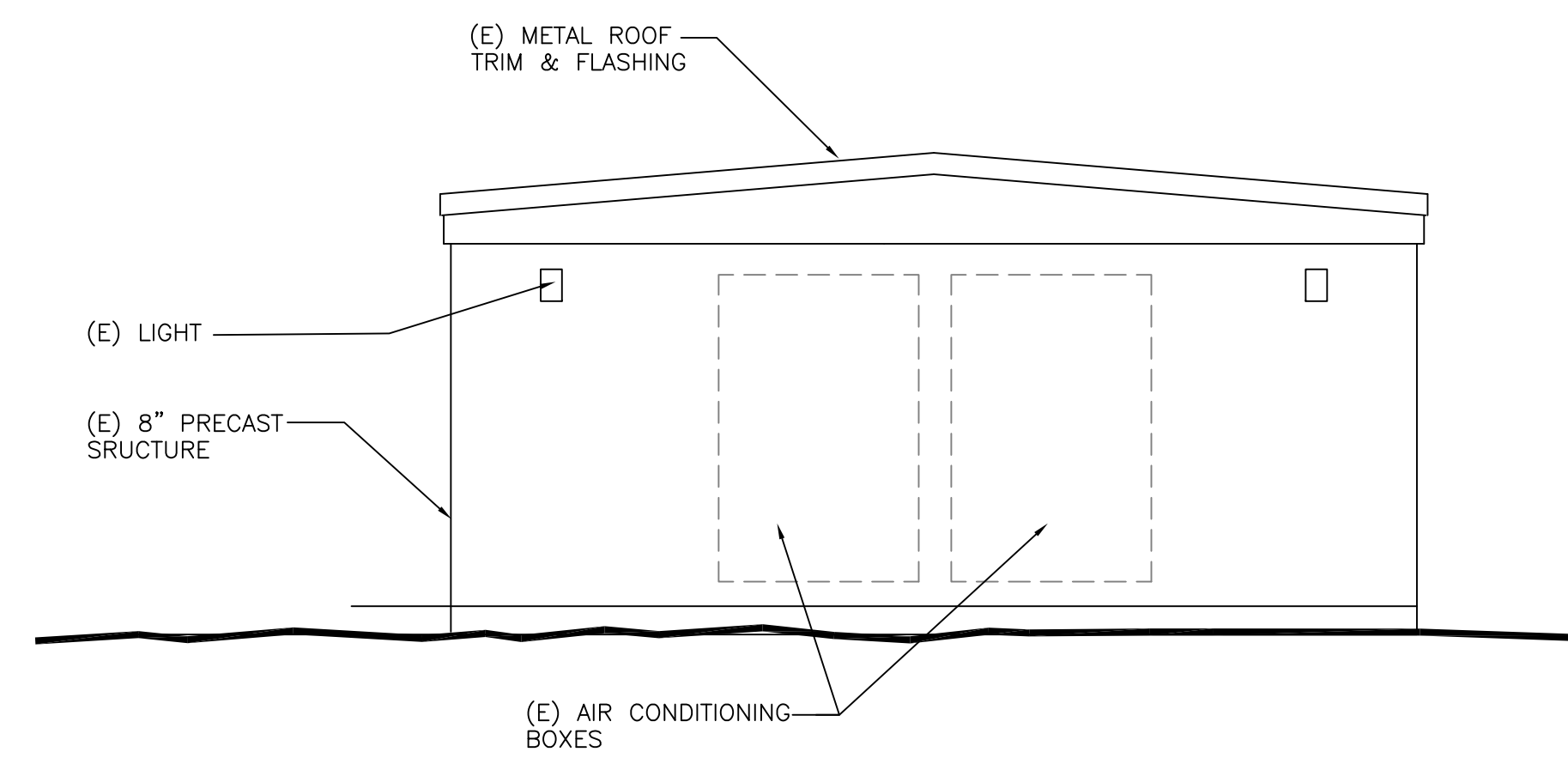
1 EAST ELEVATION  
A2.0 SCALE: 1/4" = 1'-0"



2 SOUTH ELEVATION  
A2.0 SCALE: 1/4" = 1'-0"



3 NORTH ELEVATION  
A2.0 SCALE: 1/4" = 1'-0"



4 WEST ELEVATION  
A2.0 SCALE: 1/4" = 1'-0"

DATE	DESCRIPTION	BY
08-18-17	ISSUED FOR REVIEW	EGP
08-22-17	ISSUED FOR REVIEW	EGP
08-24-17	ISSUED FOR PERMIT	EGP
09-22-17	ZONING SUBMITTAL	REA

SHEET TITLE: FLOOR PLAN - POWER	DATE: 08-18-17	PROJECT NO.: EGP#17148.00
SHEET NO. <b>A2.0</b>		