





















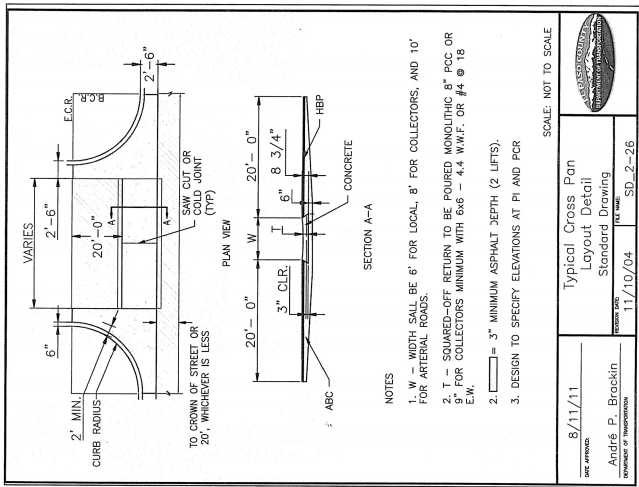
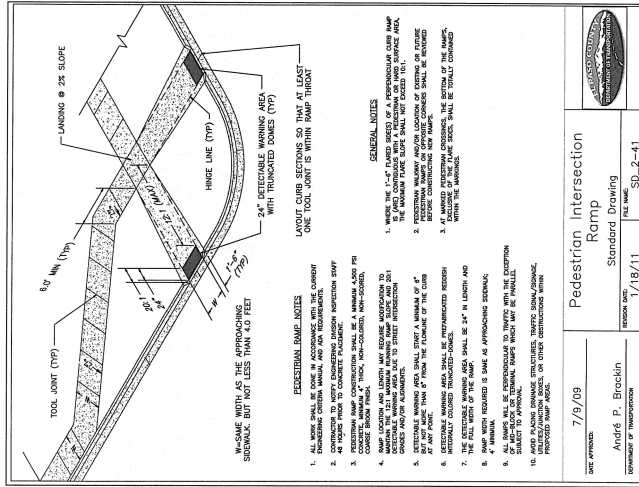






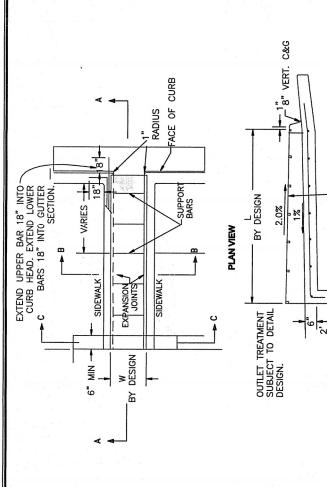
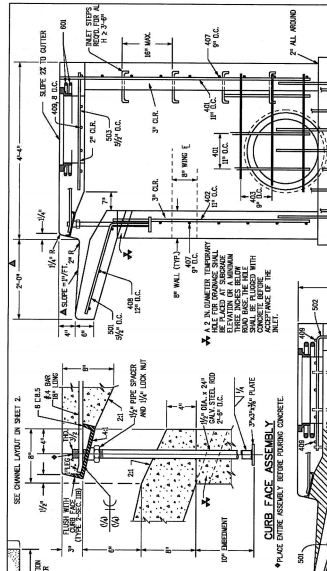
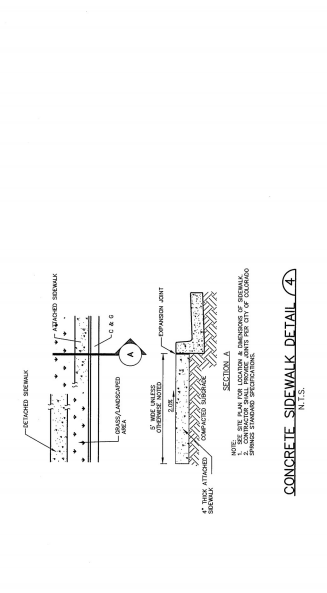
# MONUMENT ACADEMY HIGH SCHOOL

## FOR CONSTRUCTION



**JPS ENGINEERING**  
 19 E. Wilmette Ave.  
 Suite 300  
 Greenwood Springs, CO  
 PH: 719-477-0429  
 FAX: 719-471-0786  
 www.jpsengr.com

OWNERSHIP OF INSTRUMENTS OF SERVICE:  
 ALL REPORTS, PLANS, SPECIFICATIONS, COMPUTER FILES, FIELD NOTES, AND ALL OTHER DOCUMENTS AND INFORMATION PREPARED BY JPS ENGINEERING SHALL BE THE PROPERTY OF JPS ENGINEERING. THE CLIENT PROFESSIONAL SHALL RETAIN ALL RIGHTS TO ANY INFORMATION OR DATA PROVIDED TO JPS ENGINEERING. THE CLIENT PROFESSIONAL SHALL RETAIN ALL RIGHTS TO ANY INFORMATION OR DATA PROVIDED TO JPS ENGINEERING. THE CLIENT PROFESSIONAL SHALL RETAIN ALL RIGHTS TO ANY INFORMATION OR DATA PROVIDED TO JPS ENGINEERING.



**CRP ARCHITECTS AIA**  
 100 E. St. Vrain, Suite 300  
 Greenwood Springs, Colorado 80603

**CIVIL DETAILS - PHASE 1b**

DATE: 12/21/18  
 DRAWN BY: JPS  
 CHECKED BY: JPS  
 REVISION: 7/20/19

NO.	REASON	BY	DATE
1	FOR PERMIT	JPS	4/07/18
2	COUNTY COMMENTS	JPS	6/25/19
3	COUNTY COMMENTS	JPS	6/25/19
4	COUNTY COMMENTS	JPS	7/20/19

**PCD PROJECT NO. PPR-18-009**

**C4.2**