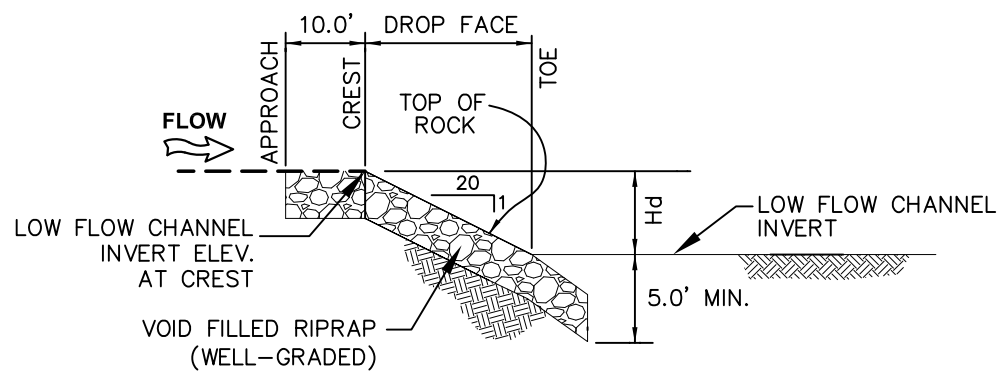


NOTE:
REFER TO EROSION CONTROL BLANKET DETAIL FOR BLANKET INSTALLATION NEAR STRUCTURES.



NOTE:
REFER TO EROSION CONTROL BLANKET DETAIL FOR BLANKET INSTALLATION.

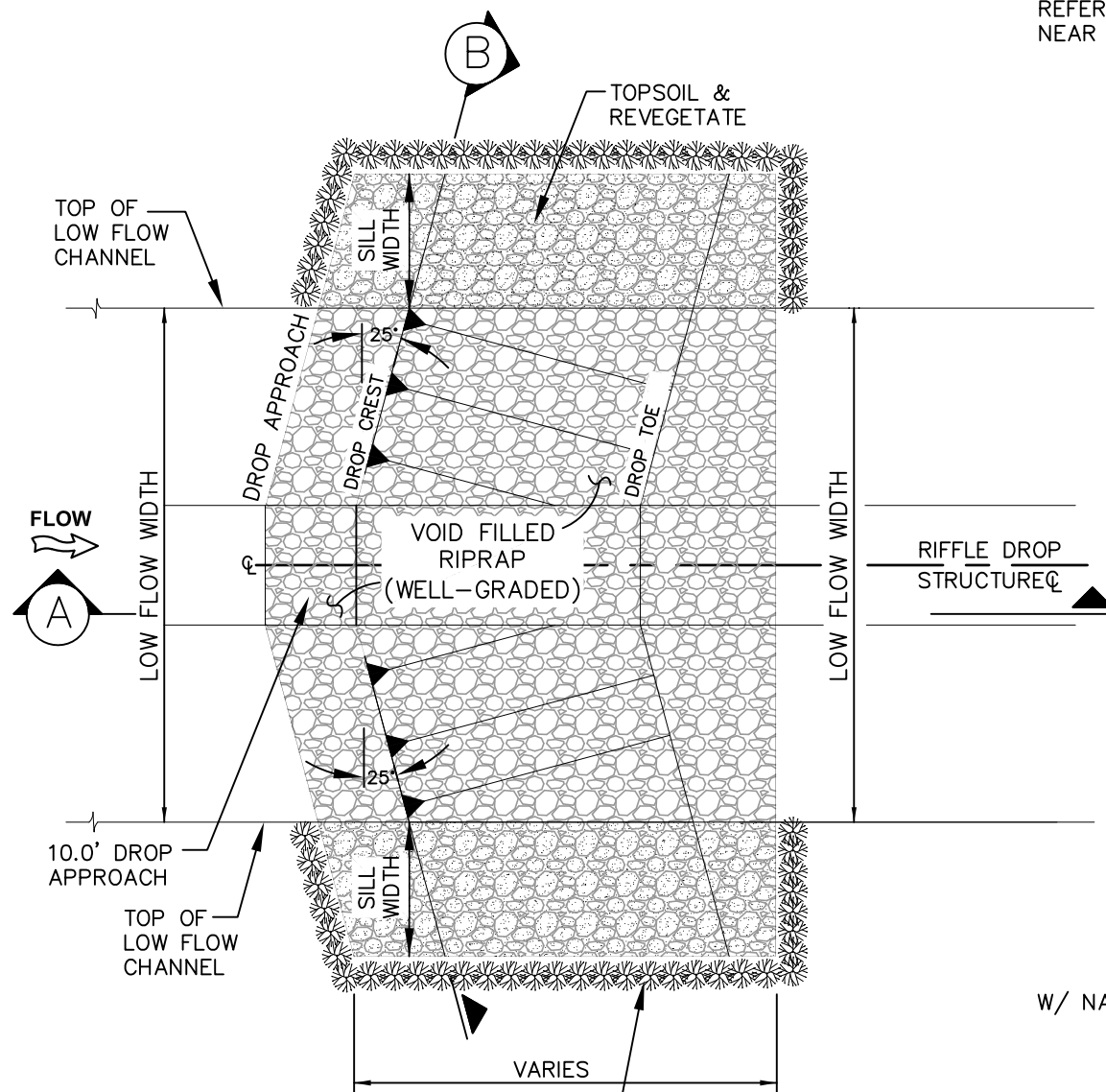
RIFFLE DROP STRUCTURE PROFILE

NTS

A



CONSTRUCTED RIFFLE DROP STRUCTURE

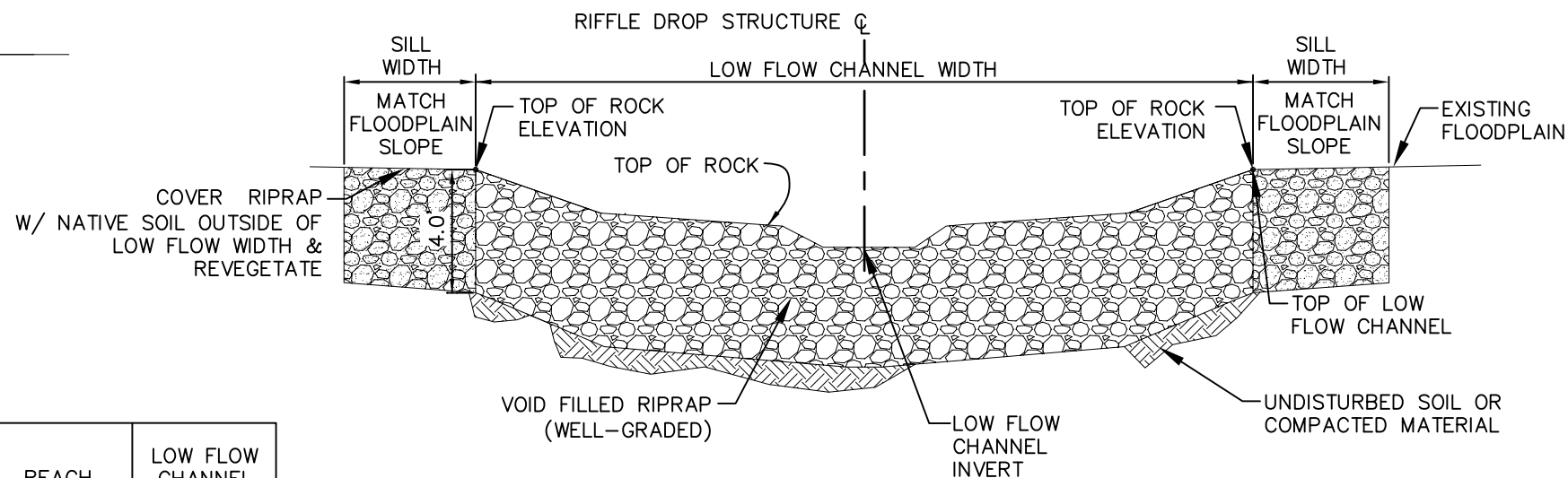


IF ACCESS OR AVAILABILITY PRECLUDES *
LIVE WILLOW TRANSPLANTS, PLACE
CONTINUOUS LAYER OF WILLOW STAKES
VERTICALLY IN SILL TRENCH
PRIOR TO BACKFILL

RIFFLE DROP STRUCTURE PLAN

NTS

REACH	LOW FLOW CHANNEL WIDTH (FT)
RET120	29
RET154	22
RWT150	18
RWT210	30



RIFFLE DROP STRUCTURE SECTION

NTS

B

**TYPICAL RIFFLE DROP STRUCTURE
FOR USE IN NATURAL CHANNEL DESIGN REACHES**

NOT FOR CONSTRUCTION



NAME: S:\10.122.003 (Falcon DBPS)\DWG\XSEC-RCVANE-RDSehibit.dwg
PCP: Matrix.ctb
PLOT DATE: Tue Jun 18, 2013 1:49pm



2435 Research Parkway, Suite 300
Colorado Springs, CO 80920
Phone 719-575-0100
Fax 719-575-0208