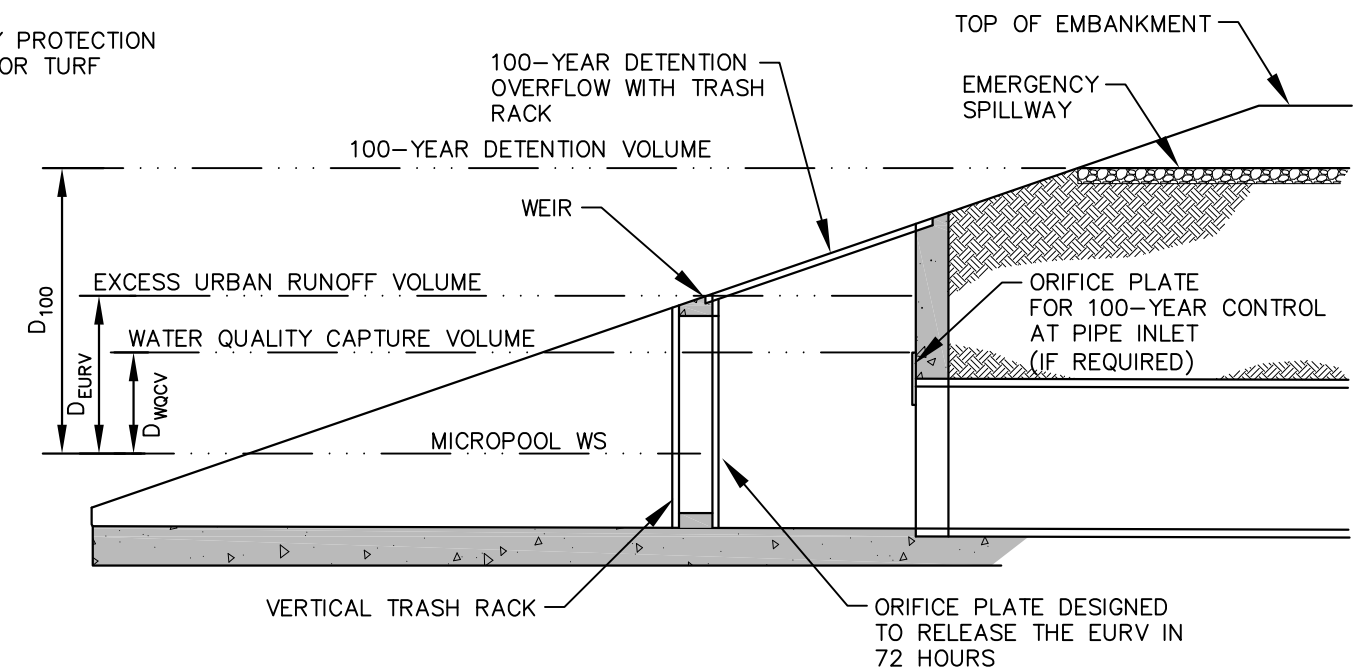


TYPICAL PROFILE OF AN EURV IN A FLOOD CONTROL DETENTION BASIN

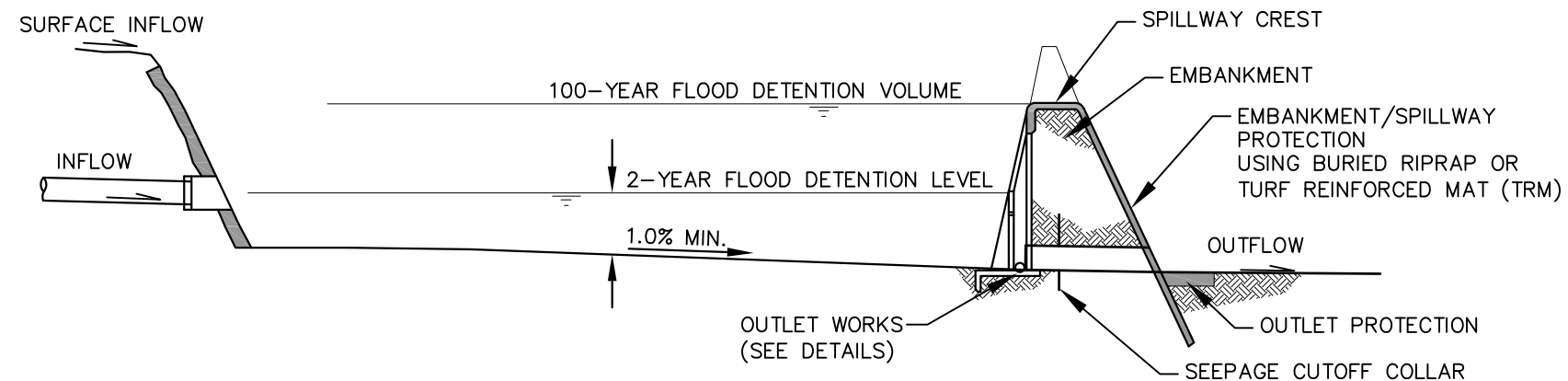
NTS

- D_{MP} = DEPTH OF MICRO POOL
- D_{WQCV} = DEPTH OF WQCV
- D_{EURV} = DEPTH OF EURV
- D_{100} = DEPTH OF 100-YR STORAGE VOLUME



TYPICAL EURV OUTLET STRUCTURE

NTS



TYPICAL PROFILE OF A FLOOD CONTROL DETENTION BASIN

NTS

NOT FOR CONSTRUCTION

- WQCV - WATER QUALITY CAPTURE VOLUME
- EURV - EXCESS URBAN RUNOFF VOLUME



NAME: S:\10.122.003 (Falcon DBPS)\DWG\EURV-GSBD5-AS FLOWexhibit.dwg
 PCP: Matrix.ctb
 PLOT DATE: Tue Jun 18, 2013 1:44pm



2435 Research Parkway, Suite 300
 Colorado Springs, CO 80920
 Phone 719-575-0100
 Fax 719-575-0208