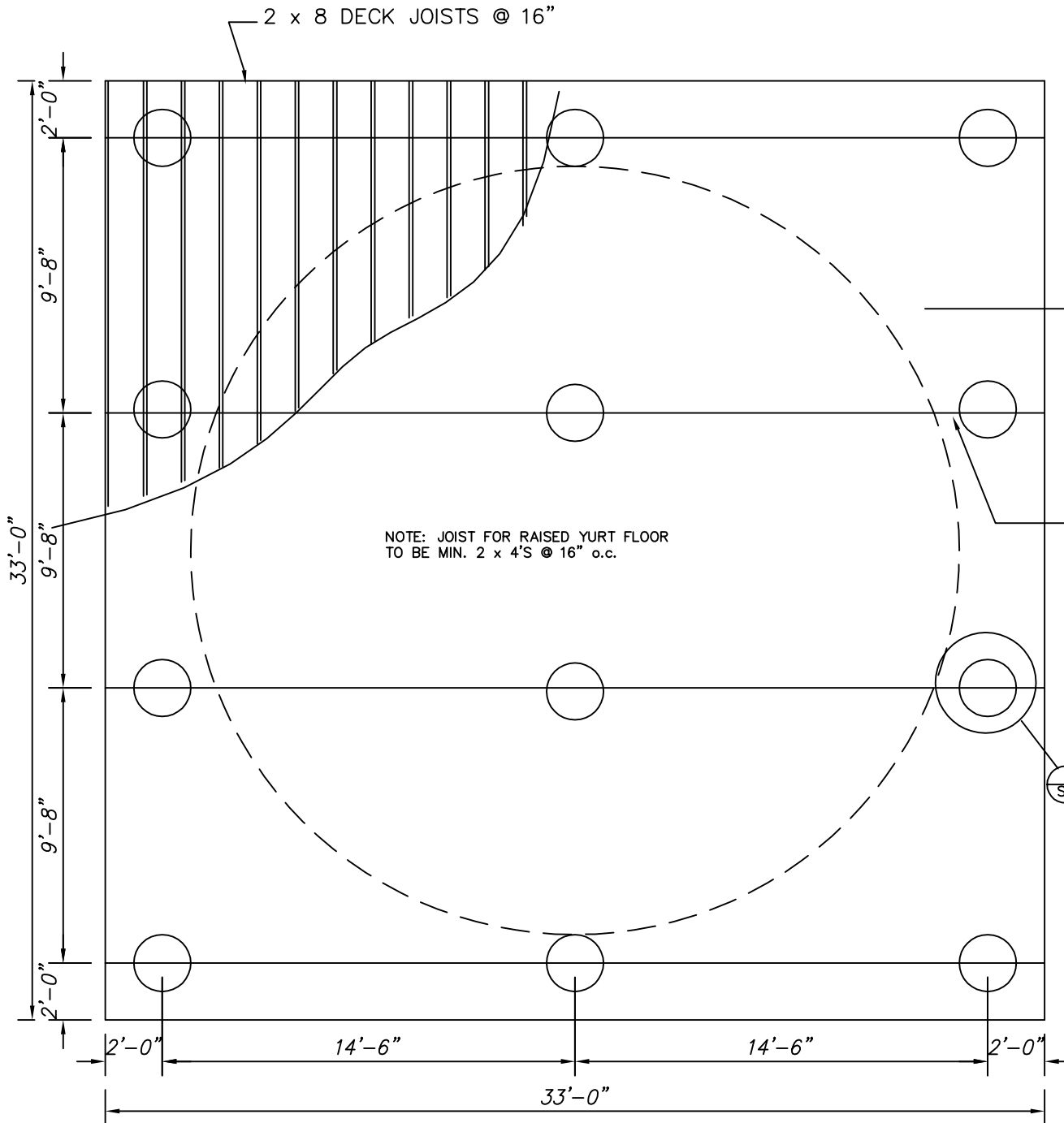


NOTE:
 CONSULT YOUR CONSTRUCTION MANUAL FOR
 INSTALLATION OF WALLS, ROOF, FABRIC,
 LACING, DOME , & PROPER HEIGHTS OF ALL.

Please provide plans
 stamped by a Colorado
 licensed design
 professional.

DISAPPROVED
 08/28/2020 1:24:35 PM
 shelley
 CONSTRUCTION

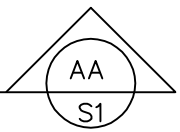
CONC. FOOTING & COL
 SEE DETAIL 1/S3
 ALSO SEE SHEETS #7 & #8
 FOR ALTERNATE FOUNDATION
 AND DETAILS



2 x 8 DECK JOISTS @ 16"

NOTE:

- CONSULT YOUR CONSTRUCTION MANUAL FOR INSTALLATION OF WALLS, ROOF, FABRIC, LACING, DOME , & PROPER HEIGHTS OF ALL.
- CONSULT YOUR LOCAL BUILDING DEPT FOR EXACT FROST DEPTH, SIZES OF FOOTINGS AND COLUMNS.



NOTE: JOIST FOR RAISED YURT FLOOR TO BE MIN. 2 x 4'S @ 16" o.c.

6 x 14 BEAMS @ 9'-8" o.c.
DOUG FIR LARCH #2 OR BETTER
PRESSURE TREATED



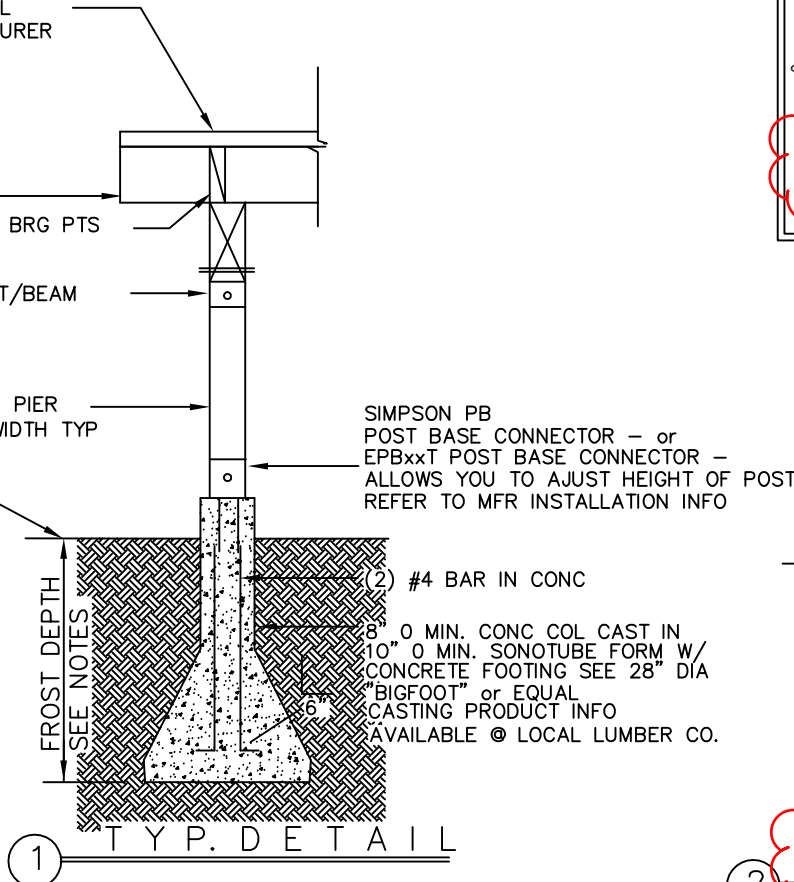
TREX DECKING OR EQUAL
SECURE PER MANUFACTURER
SPECIFICATIONS

2 x DECK JOISTS
2 x SOLID BLOCKING @ BRG PTS

SIMPSON PC @ EA POST/BEAM
CONNECTION

SUPPORT POST @ EA. PIER
SIZE TO MATCH BEAM WIDTH TYP

FINISHED GRADE



1 TYP. DETAIL

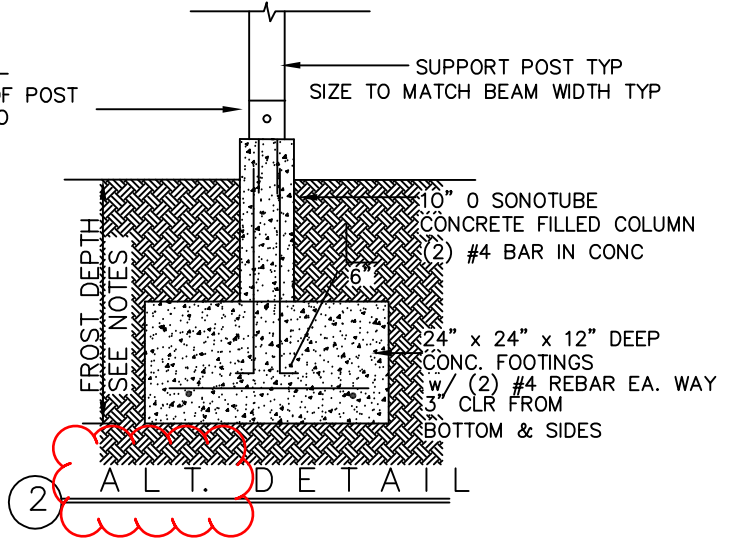
**SOILS REPORT AND FOUNDATION DESIGN
BY LICENSED COLORADO ENGINEER OR
ARCHITECT SHALL BE ON HAND
AT TIME OF FIRST INSPECTION.**

NOTE:

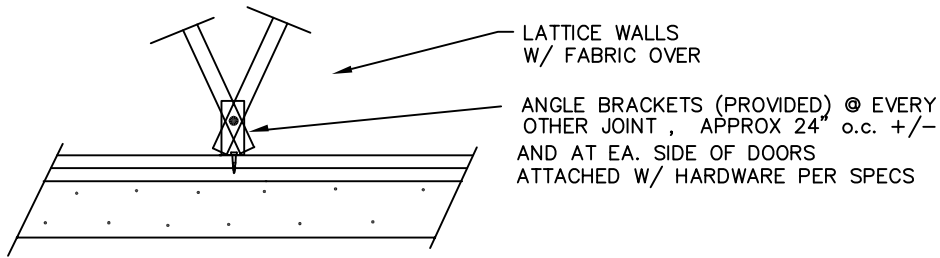
- CONSULT YOUR CONSTRUCTION MANUAL FOR INSTALLATION OF WALLS, ROOF, FABRIC, LACING, DOME , & PROPER HEIGHTS OF ALL.
- CONSULT YOUR LOCAL BUILDING DEPT FOR EXACT FROST DEPTH, SIZES OF FOOTINGS AND COLUMNS.

OPTIONAL ALTERNATE FOUNDATION PLANS & DETAILS – SEE SHEETS #6 & #7 FOR INFO

alternates not allowed, choose

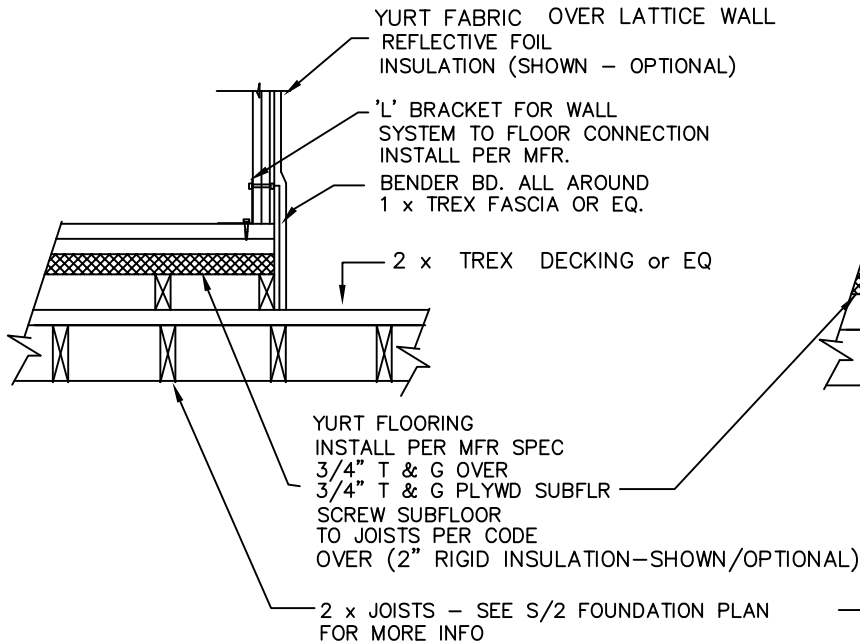


2 ALT. DETAIL

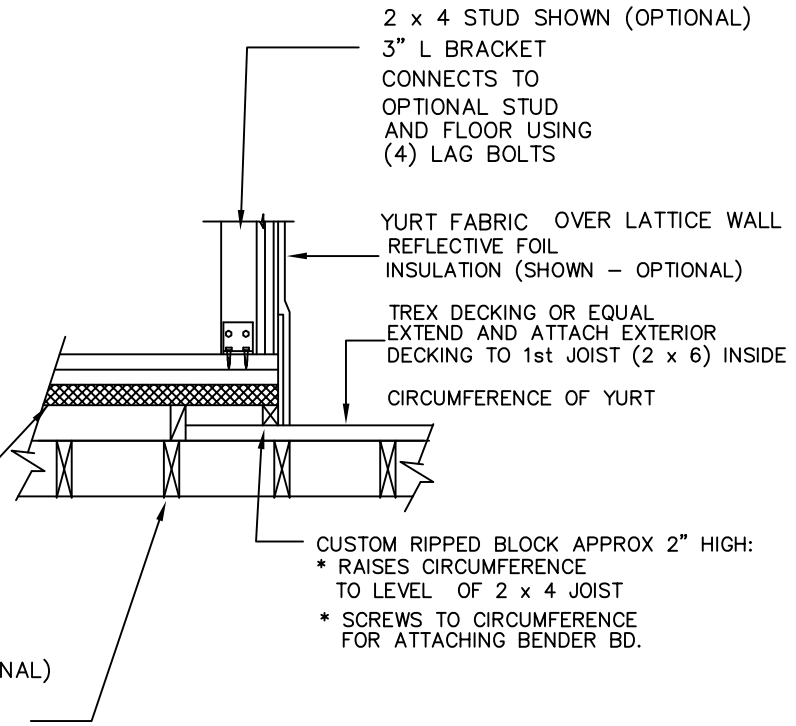


③ DETAIL
LATTICE ATTACHMENT

NOTE:
CONSULT YOUR CONSTRUCTION MANUAL FOR
INSTALLATION OF WALLS, ROOF, FABRIC,
LACING, DOME, & PROPER HEIGHTS OF ALL.



① TYP. DETAIL
FLOOR/DECK CONNECTION

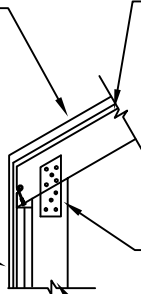


② ALT. DETAIL
FLOOR/DECK CONNECTION
ALSO REFER TO DETAIL 1/S6 FOR MORE INFO

FABRIC OVER RAFTER
INSTALL PER MFR
(INSULATION OPTIONAL)

ROOF FRAMING
2 x 4 RAFTERS TYP
(2 x 6 OPTIONAL)

YURT FABRIC
OVER LATTICE WALL
CONSTRUCTION



TRUSS PLATE (PROVIDED)– USE
1 EACH SIDE OF STUD TYP.
W/10 – #8 HEX HEAD SHEET METAL SCREWS
AT EA. CONNECTION POINT
W/ OPTIONAL STUD

2 x 4 STUD SHOWN (OPTIONAL)
(INSULATION OPTIONAL)

NOTE:
CONSULT YOUR CONSTRUCTION MANUAL FOR
INSTALLATION OF WALLS, ROOF, FABRIC,
LACING, DOME , & PROPER HEIGHTS OF ALL.

3

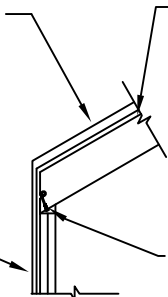
ALT. DETAIL

WALL/RAFTER CONNECTION
(SHOWING OPTIONAL STUD CONNECTION)

FABRIC OVER RAFTER
INSTALL PER MFR
(INSULATION OPTIONAL)

ROOF FRAMING
2 x 4 RAFTERS TYP
(2 x 6 OPTIONAL)

YURT FABRIC
OVER LATTICE WALL
CONSTRUCTION



TYPICAL CABLE AND SCREW
CONNECTION (PROVIDED)

1

TYP. DETAIL

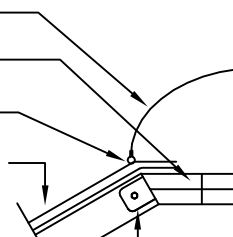
WALL/RAFTER CONNECTION

DOME

COMPRESSION RING

RUBBER GASKET

FABRIC OVER RAFTERS
INSTALL PER MFR
(INSULATION OPTIONAL)



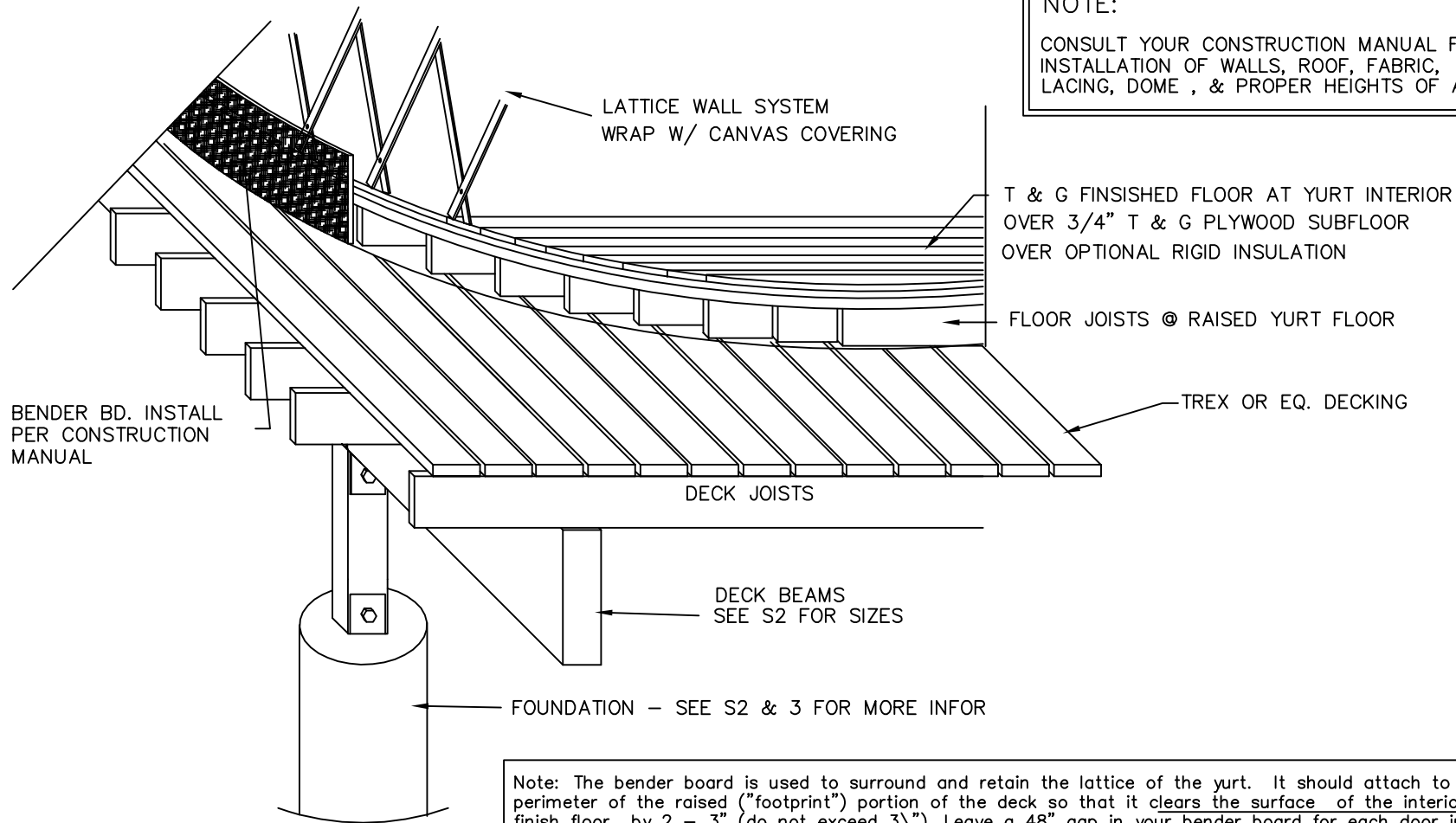
STND CORR
CONNECTOR
@ EA. RAFTER (OPTIONAL)

ROOF FRAMING
2 x 4 RAFTERS TYP
(2 x 6 OPTIONAL)

2

TYP. DETAIL

RAFTER/DOME CONNECTION



NOTE:
 CONSULT YOUR CONSTRUCTION MANUAL FOR
 INSTALLATION OF WALLS, ROOF, FABRIC,
 LACING, DOME , & PROPER HEIGHTS OF ALL.

BENDER BD. INSTALL
 PER CONSTRUCTION
 MANUAL

LATTICE WALL SYSTEM
 WRAP W/ CANVAS COVERING

T & G FINISHED FLOOR AT YURT INTERIOR
 OVER 3/4" T & G PLYWOOD SUBFLOOR
 OVER OPTIONAL RIGID INSULATION

FLOOR JOISTS @ RAISED YURT FLOOR

TREX OR EQ. DECKING

DECK JOISTS

DECK BEAMS
 SEE S2 FOR SIZES

FOUNDATION - SEE S2 & 3 FOR MORE INFOR

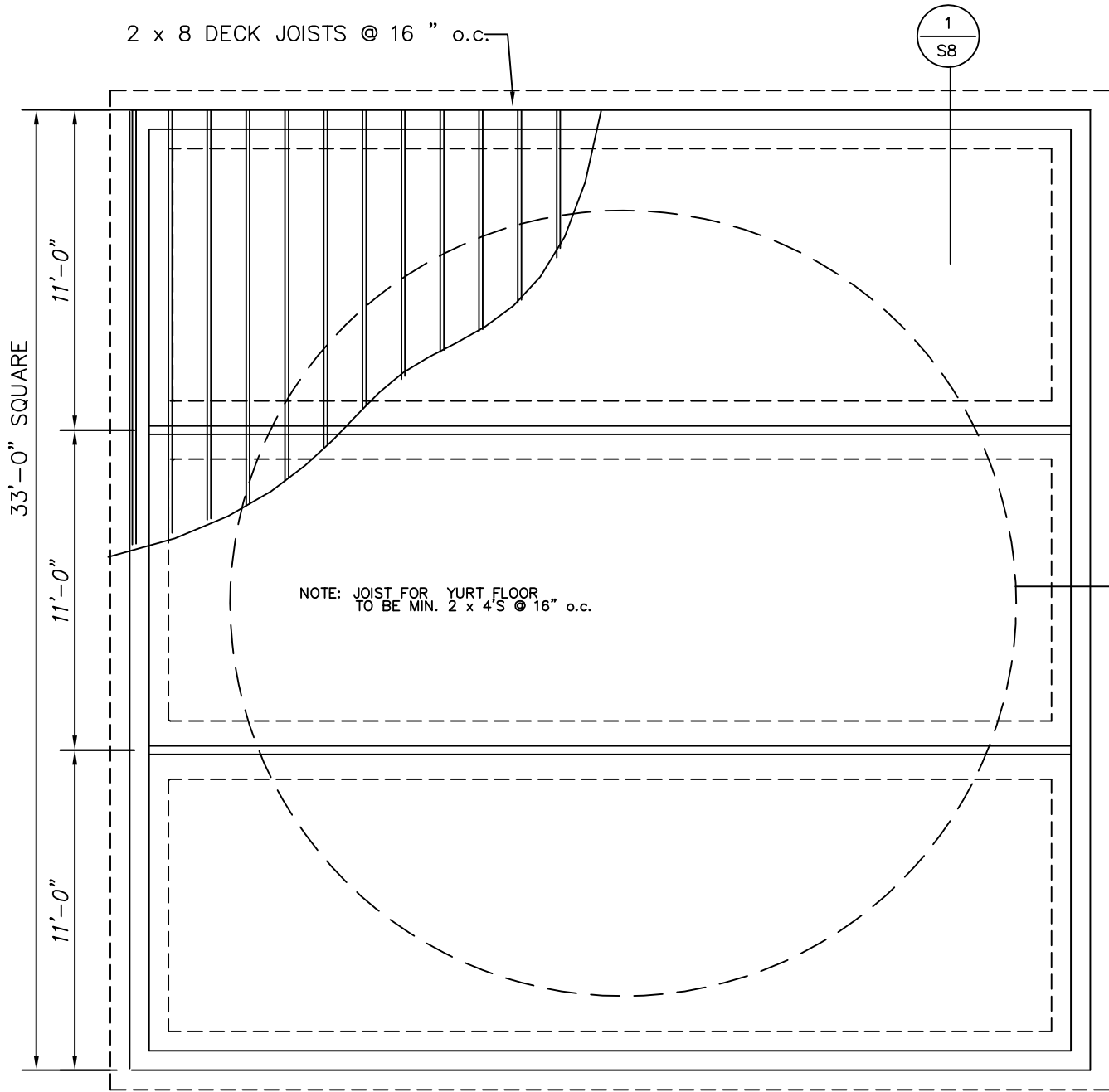
Note: The bender board is used to surround and retain the lattice of the yurt. It should attach to the perimeter of the raised ("footprint") portion of the deck so that it clears the surface of the interior finish floor by 2 - 3" (do not exceed 3"). Leave a 48" gap in your bender board for each door in your yurt. (56" gap for French doors).For placement of non-symetrical door call manufacturer.

The bender board can be attached outside of the finished size of the footprint. (e.g. a 20' yurt footprint equals 20' diameter plus the thickness of the bender board.

Choose an appropriate material for your bender board. 1 X Trex fascia bd or better
 Alternative: Use pressure treated plywood, redwood or equal.

YURT ISOMETRIC

SHEET #6

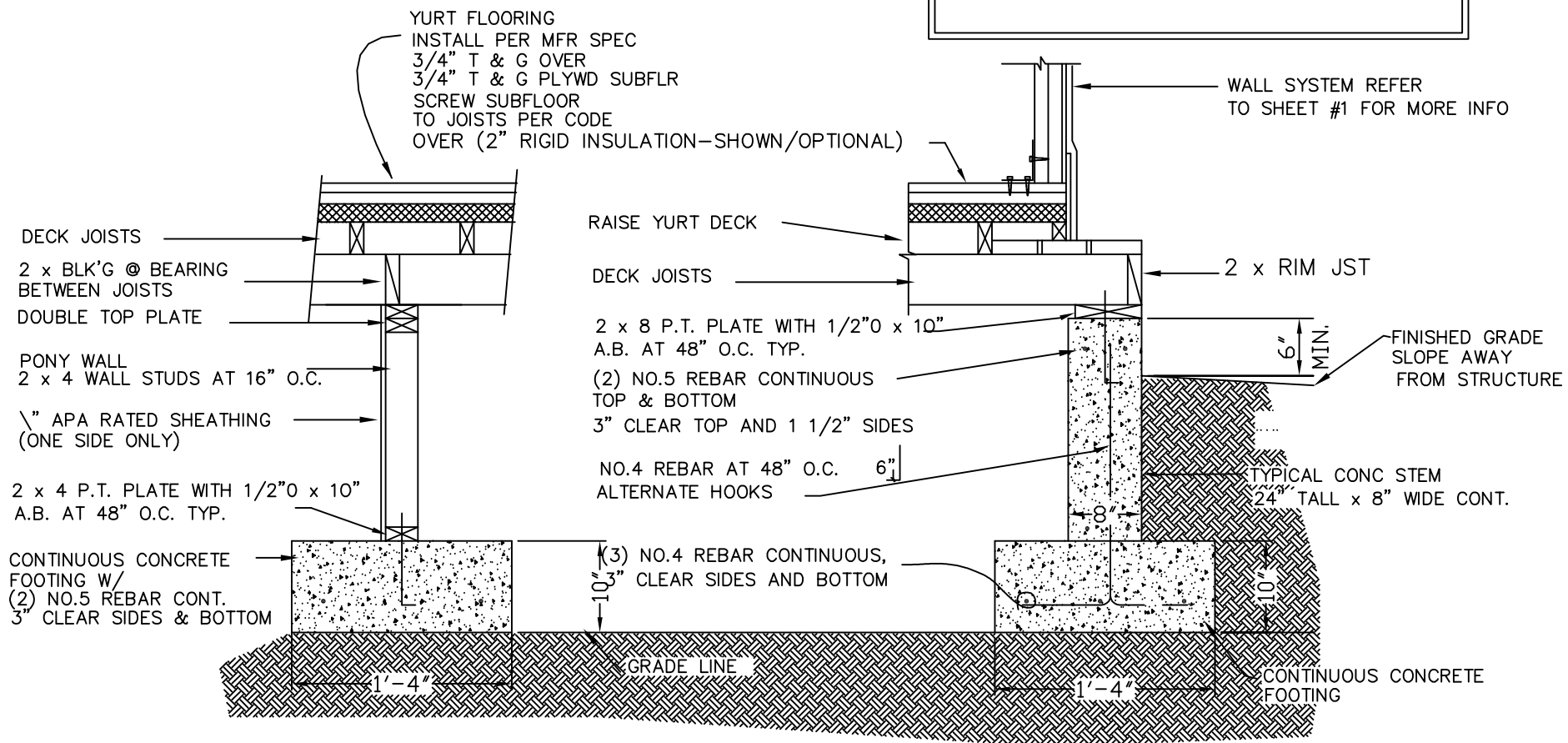


NOTE:

- CONSULT YOUR CONSTRUCTION MANUAL FOR INSTALLATION OF WALLS, ROOF, FABRIC, LACING, DOME , & PROPER HEIGHTS OF ALL.
- CONSULT YOUR LOCAL BUILDING DEPT FOR EXACT FROST DEPTH, SIZES OF FOOTINGS AND COLUMNS.

NOTE:

- CONSULT YOUR CONSTRUCTION MANUAL FOR INSTALLATION OF WALLS, ROOF, FABRIC, LACING, DOME , & PROPER HEIGHTS OF ALL.
- CONSULT YOUR LOCAL BUILDING DEPT FOR EXACT FROST DEPTH, SIZES OF FOOTINGS AND COLUMNS.



1 ALTERNATE FOUNDATION DETAIL