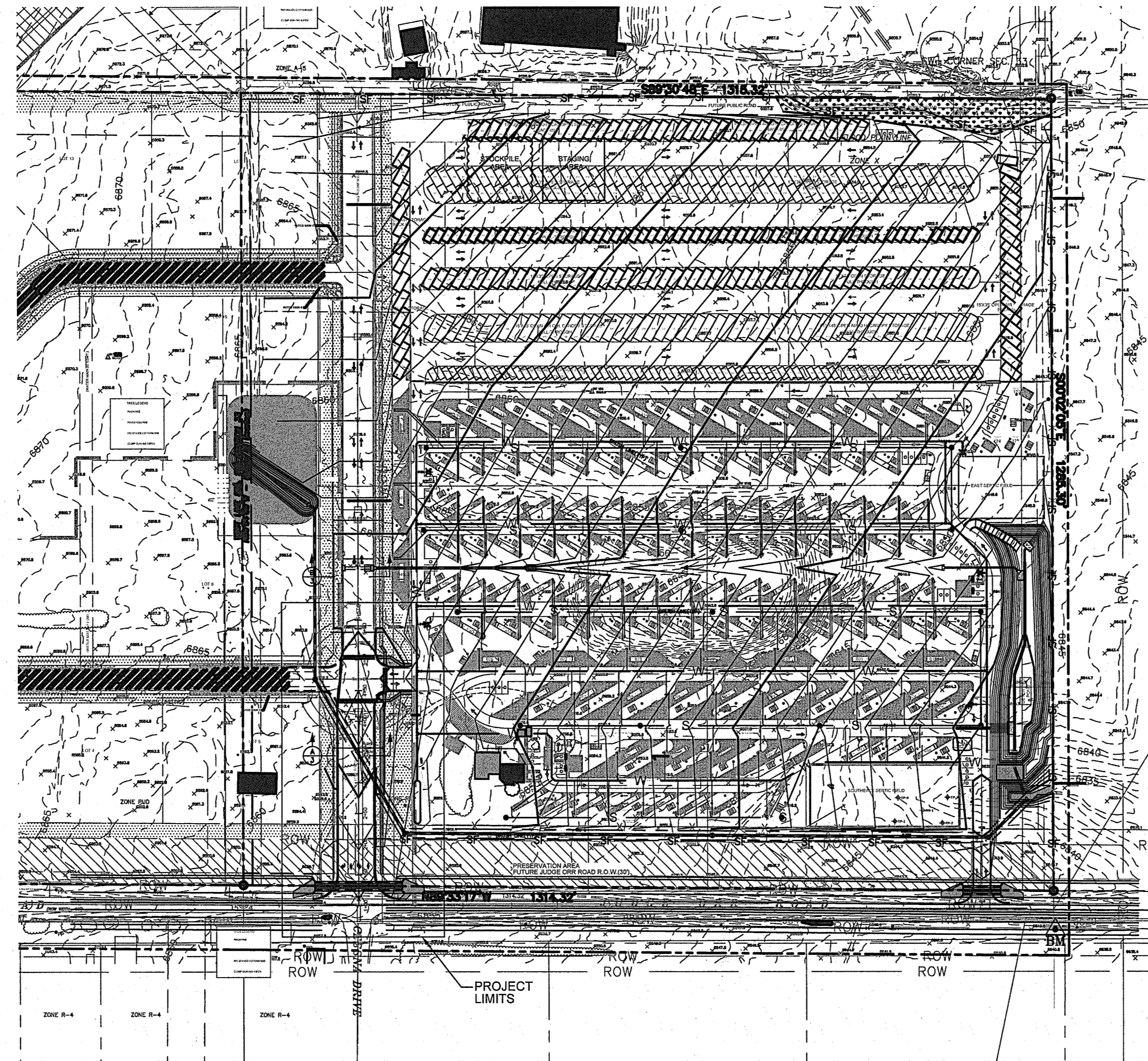


# ROADWAY PLANS

## JUDGE ORR ROAD RV PARK AND STORAGE

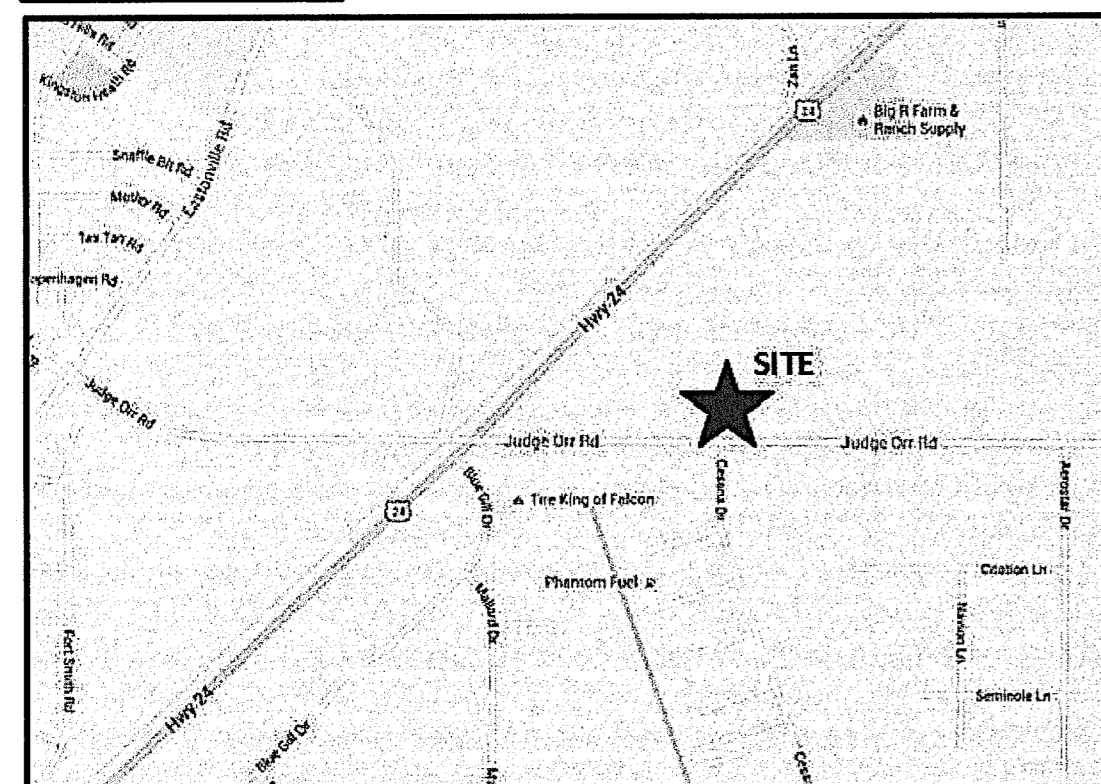
### EL PASO COUNTY, COLORADO



**BENCHMARK**  
CONTROL POINT SET ON FENCE LINE, SOUTH SIDE OF JUDGE ORR ROAD FT DUE SOUTH OF EAST PROPERTY LINE. ELEV = 6841.90 (HV100)

**BASIS OF BEARING**  
WEST LINE SW 1/4 OF THE SW 1/4 SECTION 33 N00°04' 00"W

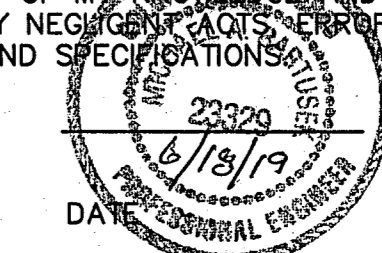
**VICINITY MAP:**



**ENGINEER'S STATEMENT:**

THESE DETAILED PLANS AND SPECIFICATIONS WERE PREPARED UNDER MY DIRECTION AND SUPERVISION. SAID DETAILED PLANS AND SPECIFICATIONS HAVE BEEN PREPARED ACCORDING TO THE CRITERIA ESTABLISHED BY THE COUNTY FOR DETAILED ROADWAY, DRAINAGE, GRADING AND SPECIFICATIONS AND SAID DETAILED PLANS AND SPECIFICATIONS ARE IN CONFORMITY WITH THE EROSION CONTROL PLANS AND SPECIFICATIONS, AND SAID PLANS AND SPECIFICATIONS ARE IN CONFORMITY WITH APPLICABLE MASTER DRAINAGE PLANS AND MASTER TRANSPORTATION PLANS. SAID PLANS AND SPECIFICATIONS MEET THE PURPOSES FOR WHICH THE PARTICULAR ROADWAY AND DRAINAGE FACILITIES ARE DESIGNED AND ARE CORRECT TO THE BEST OF MY KNOWLEDGE AND BELIEF. I ACCEPT RESPONSIBILITY FOR ANY LIABILITY CAUSED BY ANY NEGLIGENCE, OMISSIONS OR OMISSIONS ON MY PART IN PREPARATION OF THE DETAILED PLANS AND SPECIFICATIONS.

*Michael A. Bartusek*  
\_\_\_\_\_  
MICHAEL A. BARTUSEK, P.E. COLORADO NO. 23329



**OWNER/DEVELOPER STATEMENT**

I, THE OWNER/DEVELOPER HAVE READ AND WILL COMPLY WITH THE REQUIREMENTS SPECIFIED IN THESE DETAILED PLANS AND SPECIFICATIONS.

*Andrea Minnich*  
\_\_\_\_\_  
PRAIRIE STONE, LLC DATE: 6-18-19

BY: MS ANDREA MINNICH  
TITLE: MANAGER  
ADDRESS: 9476 DAKOTA DUNES LANE  
PEYTON, CO 80831-4138  
719-492-0774

**COUNTY ENGINEER STATEMENT**

COUNTY PLAN REVIEW IS PROVIDED ONLY FOR GENERAL CONFORMANCE WITH COUNTY DESIGN CRITERIA. THE COUNTY IS NOT RESPONSIBLE FOR THE ACCURACY AND ADEQUACY OF THE DESIGN, DIMENSIONS, AND/OR ELEVATIONS WHICH SHALL BE CONFIRMED AT THE JOB SITE. THE COUNTY THROUGH THE APPROVAL OF THIS DOCUMENT ASSUMES NO RESPONSIBILITY FOR COMPLETENESS AND/OR ACCURACY OF THIS DOCUMENT.

FILED IN ACCORDANCE WITH THE REQUIREMENTS OF THE EL PASO COUNTY LAND DEVELOPMENT CODE, DRAINAGE CRITERIA MANUAL, VOLUMES 1 AND 2, AND ENGINEERING CRITERIA MANUAL AS AMENDED.

IN ACCORDANCE WITH ECM SECTION 1.12, THESE CONSTRUCTION DOCUMENTS WILL BE VALID FOR CONSTRUCTION FOR A PERIOD OF 2 YEARS FROM THE DATE SIGNED BY THE EL PASO COUNTY ENGINEER. IF CONSTRUCTION HAS NOT STARTED WITHIN THOSE 2 YEARS, THE PLANS WILL NEED TO BE RESUBMITTED FOR APPROVAL UNDER CURRENT CRITERIA.

**APPROVED BY:**

BY: \_\_\_\_\_ DATE: \_\_\_\_\_  
JENNIFER IRVINE, P.E.

**COUNTY ENGINEER/ECM ADMINISTRATOR CONTACT LIST:**

PRAIRIE STONE, LLC  
MS ANDREA MINNICH, MANAGER  
9476 DAKOTA DUNES LANE  
PEYTON, CO 80831-4138  
719-492-0774

DESIGN ENGINEER  
ASSOCIATED DESIGN PROFESSIONALS, INC.  
MR. MIKE BARTUSEK, P.E.  
3520 AUSTIN BLUFFS PARKWAY, #102  
COLORADO SPRINGS, CO 80918  
719-266-5212

UTILITY - WATER & WASTEWATER  
PRAIRIE STONE, LLC  
MS ANDREA MINNICH, MANAGER  
9476 DAKOTA DUNES LANE  
PEYTON, CO 80831-4138  
719-488-3603

UTILITY - GAS & ELECTRIC  
COLORADO SPRINGS UTILITIES  
1521 HANCOCK EXP  
COLORADO SPRINGS, CO  
719-668-8276

EL PASO COUNTY PCD ENGINEER  
EL PASO COUNTY  
MR. GILBERT LAFORCE, P.E.  
2880 INTERNATIONAL CIR. #110  
COLORADO SPRINGS, CO 80910  
719-520-7945

**LEGEND:**

- EXISTING WATER VALVES
- EXISTING FIRE HYDRANT
- PROPOSED FIRE HYDRANT
- PROPOSED WATER VALVES & REDUCERS
- EXISTING SANITARY MANHOLE
- PROPOSED SANITARY MANHOLE
- EXISTING SANITARY MANHOLE TO BE REMOVED
- EXISTING FIRE HYDRANT TO BE REMOVED

**SHEET INDEX:**

- 1 - ROADWAY OVER ALL PLAN
- 2 - RANGE FLOWER WAY PLAN/PROFILE & STRIPING PLAN
- 3 - ROADWAY DETAILS

**NOTE:**

DRAINAGE DESIGN CAN BE FOUND IN THE DRAINAGE, GRADING AND EROSION CONTROL PLAN SET.

DESIGNED BY MAB	PROJECT ENGINEER MAB	PROJECT MANAGER MAB	SCALE HORIZ. 1" = 60' VERT. N/A
DATE 10/31/18	JOB NO. 160301	CAD FILE NO. 160301-B.mxd	DRAWN BY HJS

NO.	DATE	REVISION	BY

**JUDGE ORR ROAD RV PARK & STORAGE**  
**COLORADO SPRINGS, COLORADO**  
**ROADWAY OVERALL PLAN**

**SHEET**

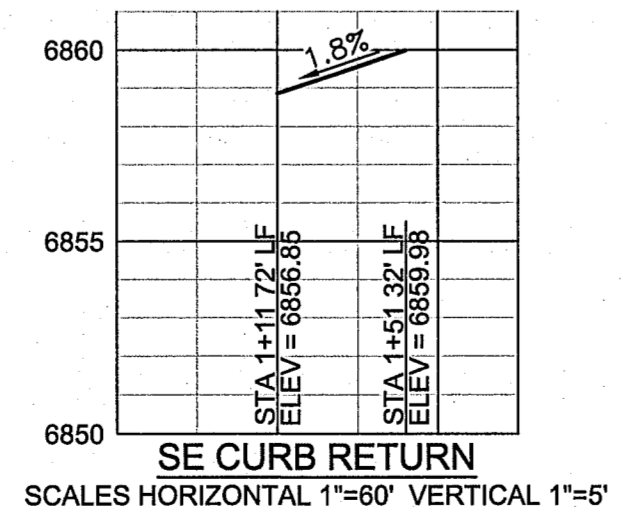
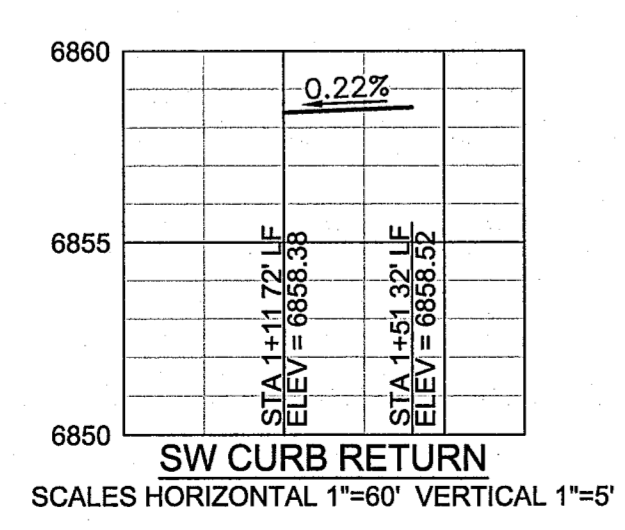
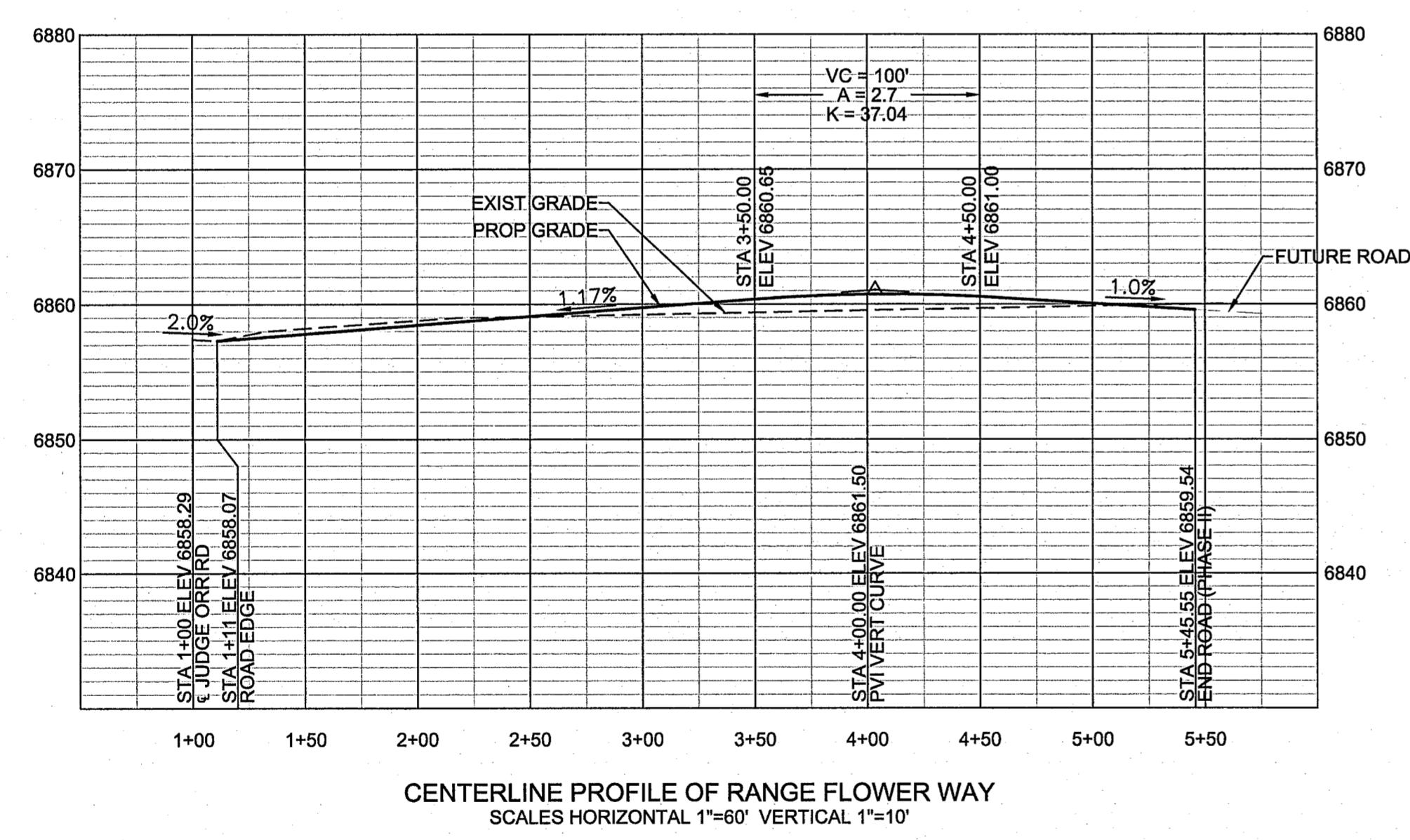
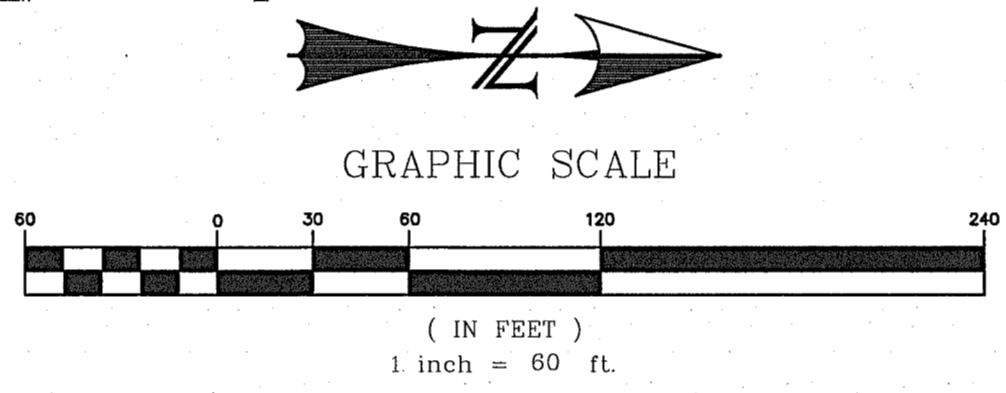
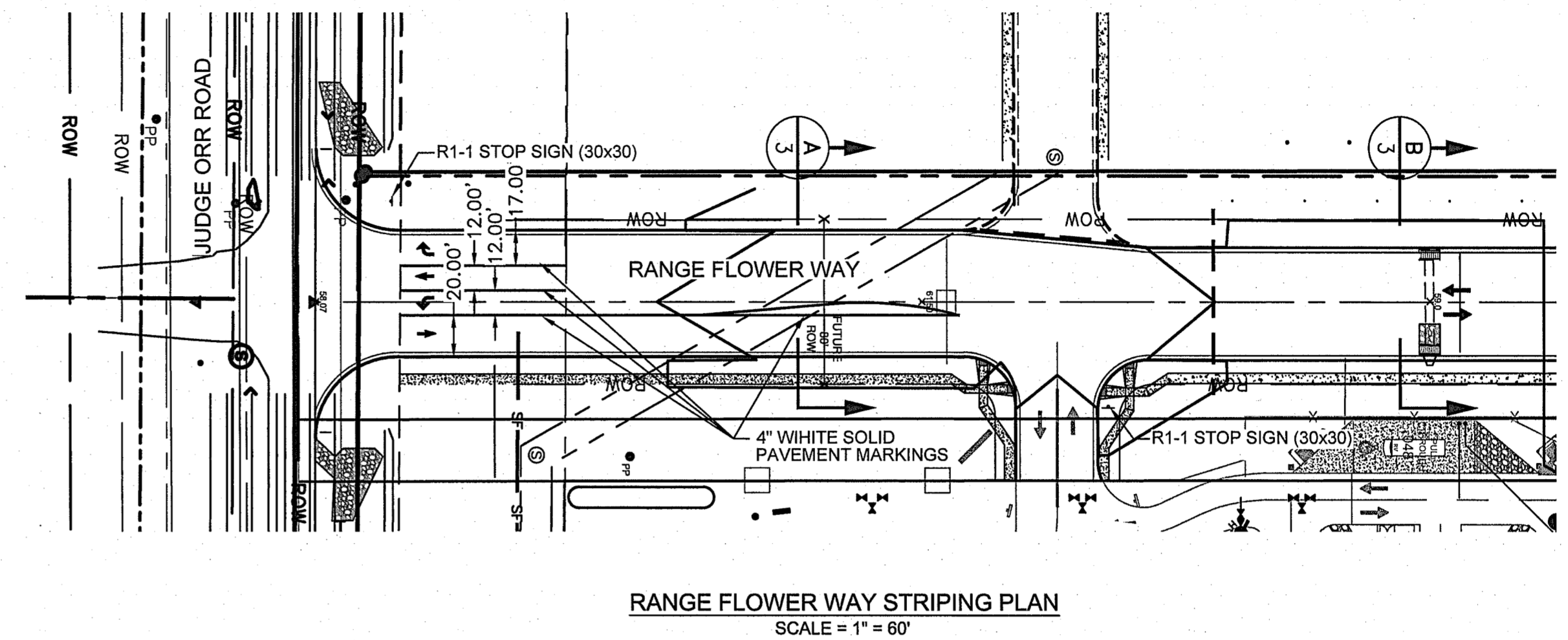
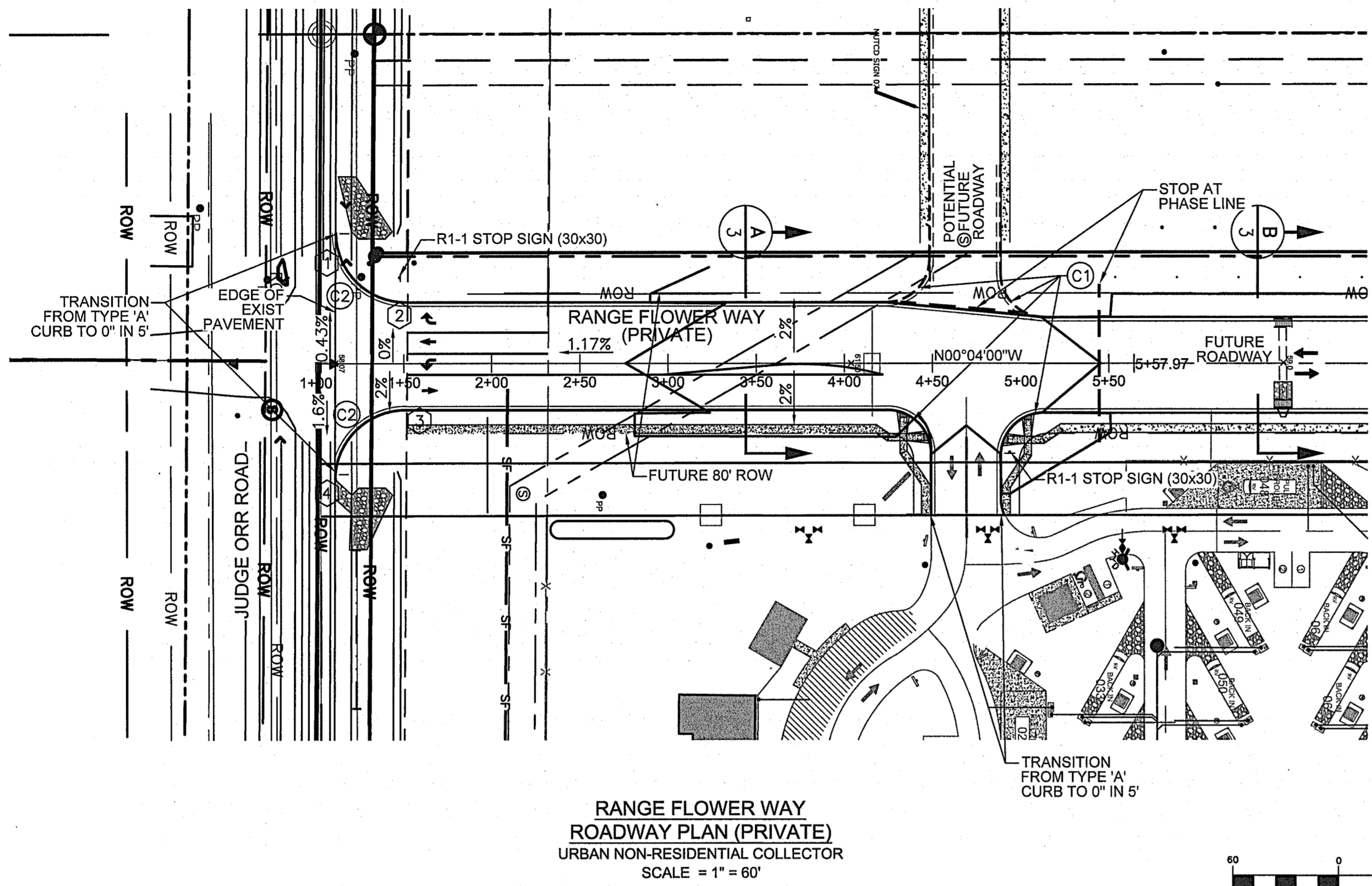
1 of 3

M:\LAND PROJECTS\2016\160301-Judge Orr Road RV Park\DWG\160301-Base.dwg Jim.Gill Ff, 06/14/19 5:02 PM

CURVE TABLE			
CURVE #	R	Δ	L
C1	25.00	90°	39.27
C2	40.00	90.00	62.83

CURB RETURN TABLE			
PT #	STA	OFFSET	BC ELEV
1	1+11	72' RT	6858.38
2	1+51	34' LT	6858.52
3	1+11	67' RT	6856.85
4	1+51	28' LT	6857.92



**SIGNING AND STRIPING NOTES:**

- ALL SIGNS AND PAVEMENT MARKINGS SHALL BE IN COMPLIANCE WITH THE CURRENT MANUAL ON UNIFORM TRAFFIC CONTROL DEVICES (MUTCD).
- REMOVAL OF EXISTING PAVEMENT MARKINGS SHALL BE ACCOMPLISHED BY A METHOD THAT DOES NOT MATERIALLY DAMAGE THE PAVEMENT. THE PAVEMENT MARKINGS SHALL BE REMOVED TO THE EXTENT THAT THEY WILL NOT BE VISIBLE UNDER DAY OR NIGHT CONDITIONS. AT NO TIME WILL IT BE ACCEPTABLE TO PAINT OVER EXISTING PAVEMENT MARKINGS.
- ANY DEVIATION FROM THE STRIPING AND SIGNING PLAN SHALL BE APPROVED BY EL PASO COUNTY PLANNING AND COMMUNITY DEVELOPMENT.
- ALL SIGNS SHOWN ON THE SIGNING AND STRIPING PLAN SHALL BE NEW SIGNS. EXISTING SIGNS MAY REMAIN OR BE REUSED IF THEY MEET CURRENT EL PASO COUNTY AND MUTCD STANDARDS.
- STREET NAME AND REGULATORY STOP SIGNS SHALL BE ON THE SAME POST AT INTERSECTIONS.
- ALL REMOVED SIGNS SHALL BE DISPOSED OF IN A PROPER MANNER BY THE CONTRACTOR.
- ALL STREET NAME SIGNS SHALL HAVE "D" SERIES LETTERS, WITH LOCAL ROADWAY SIGNS BEING 4" UPPER-LOWER CASE LETTERING ON 8" BLANK AND NON-LOCAL ROADWAY SIGNS BEING 6" LETTERING, UPPER-LOWER CASE ON 12" BLANK, WITH A WHITE BORDER THAT IS NOT RECESSED. MULTI-LANE ROADWAYS WITH SPEED LIMITS OF 40 MPH OR HIGHER SHALL HAVE 8" UPPER-LOWER CASE LETTERING ON 18" BLANK WITH A WHITE BORDER THAT IS NOT RECESSED. THE WIDTH OF THE NON-RECESSED WHITE BORDERS SHALL MATCH PAGE 255 OF THE 2012 MUTCD "STANDARD HIGHWAY SIGNS".
- ALL TRAFFIC SIGNS SHALL HAVE A MINIMUM HIGH INTENSITY PRISMATIC GRADE SHEETING.
- ALL LOCAL RESIDENTIAL STREET SIGNS SHALL BE MOUNTED ON A 1.75" X 1.75" SQUARE TUBE SIGN POST AND STUB POST BASE. FOR OTHER APPLICATIONS, REFER TO THE CDOT STANDARD S-814-8 REGARDING USE OF THE P2 TUBULAR STEEL POST SLIPBASE DESIGN.
- ALL SIGNS SHALL BE SINGLE SHEET ALUMINUM WITH 0.100" MINIMUM THICKNESS.
- ALL LIMIT LINES/STOP LINES, CROSSWALK LINES, PAVEMENT LEGENDS, AND ARROWS SHALL BE A MINIMUM 125 MIL THICKNESS PREFORMED THERMOPLASTIC PAVEMENT MARKINGS WITH TAPERED LEADING EDGES PER CDOT STANDARD S-627-1. WORD AND SYMBOL MARKINGS SHALL BE THE NARROW TYPE. STOP BARS SHALL BE 24" IN WIDTH. CROSSWALKS LINES SHALL BE 12" WIDE AND 8" LONG PER CDOT S-627-1.
- ALL LONGITUDINAL LINES SHALL BE A MINIMUM 15MIL THICKNESS EPOXY PAINT. ALL NON-LOCAL RESIDENTIAL ROADWAYS SHALL INCLUDE BOTH RIGHT AND LEFT EDGE LINE STRIPING AND ANY ADDITIONAL STRIPING AS REQUIRED BY CDOT S-627-1.
- THE CONTRACTOR SHALL NOTIFY EL PASO COUNTY PLANNING AND COMMUNITY DEVELOPMENT (719) 520-6819 PRIOR TO AND UPON COMPLETION OF SIGNING AND STRIPING.
- THE CONTRACTOR SHALL OBTAIN A WORK IN THE RIGHT OF WAY PERMIT FROM THE EL PASO COUNTY DEPARTMENT OF PUBLIC WORKS (DPW) PRIOR TO ANY SIGNAGE OR STRIPING WORK WITHIN AN EXISTING EL PASO COUNTY ROADWAY.

DESIGNED BY: MAB  
PROJECT ENGINEER: MAB  
PROJECT MANAGER: MAB  
DATE: 10/27/18  
JOB NO.: 160301  
CAD FILE NO.: 160301-Rev  
DRAWN BY: HJG  
SCALE: 1" = 60'  
HORIZ.: N/A  
VERT.: N/A

PREPARED BY:

3520 Austin Bluffs Parkway  
Suite 102  
Colorado Springs, CO 80918  
(719) 266-6212  
fax: (719) 266-5341

NO.	DATE	REVISION	BY

**JUDGE ORR ROAD RV PARK & STORAGE**  
**COLORADO SPRINGS, COLORADO**  
**ROADWAY PLAN/PROFILE & STRIPING PLAN**

M:\LAND PROJECTS\2016\160301-Judge Orr Road RV Park\DWG\160301-Base.dwg jlm:Gill Tue, 06/18/19 11:57 AM

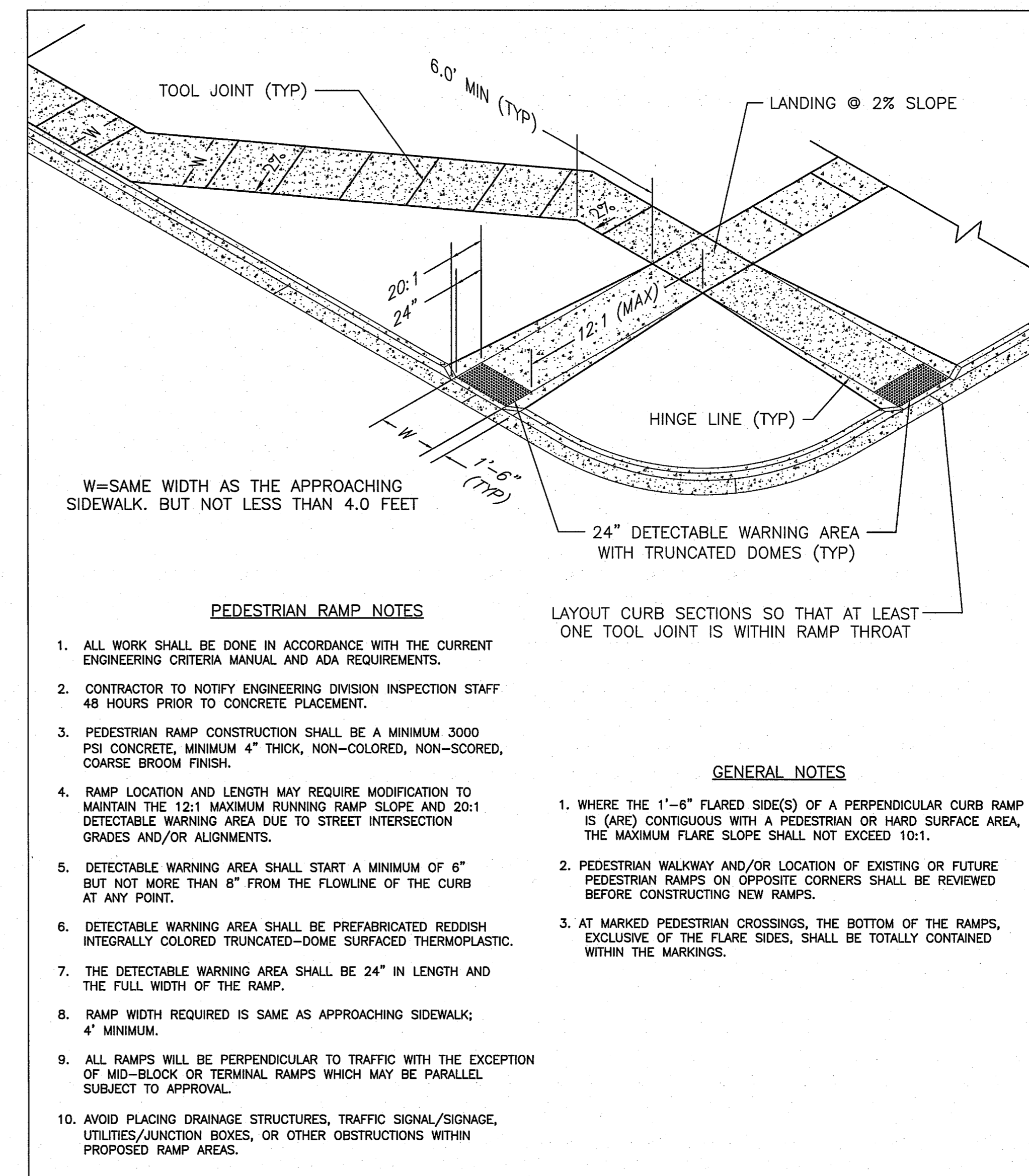
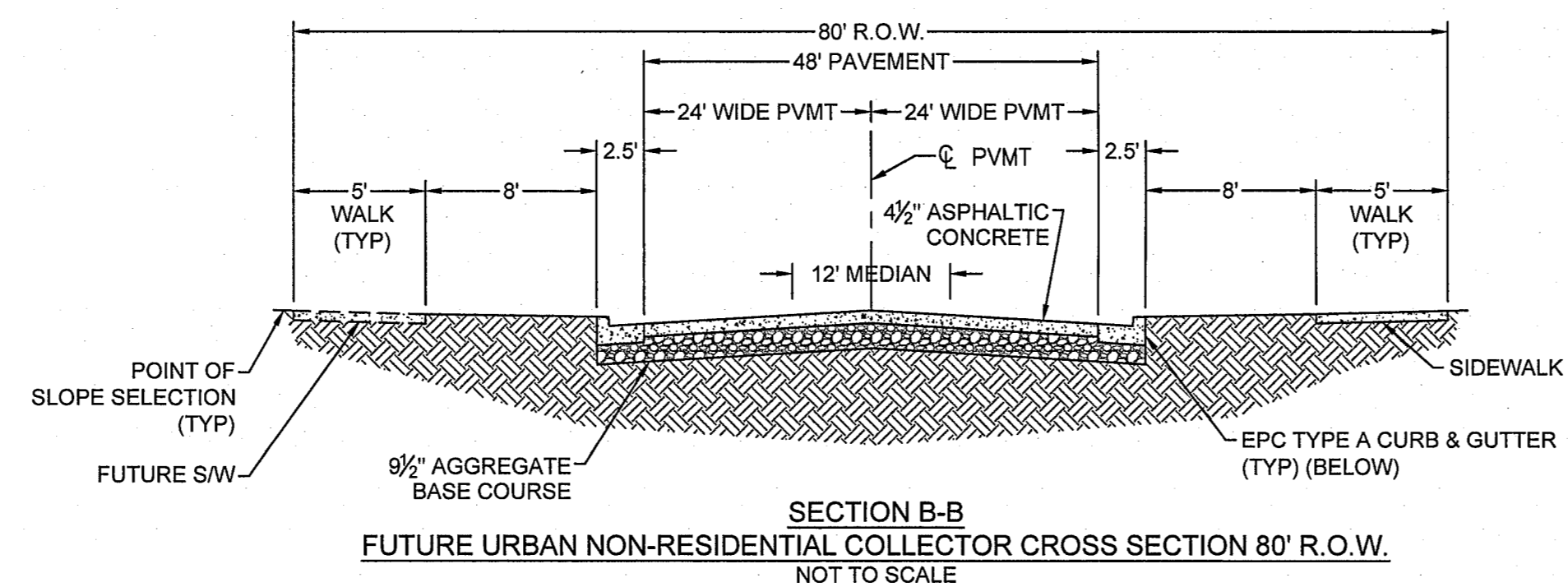
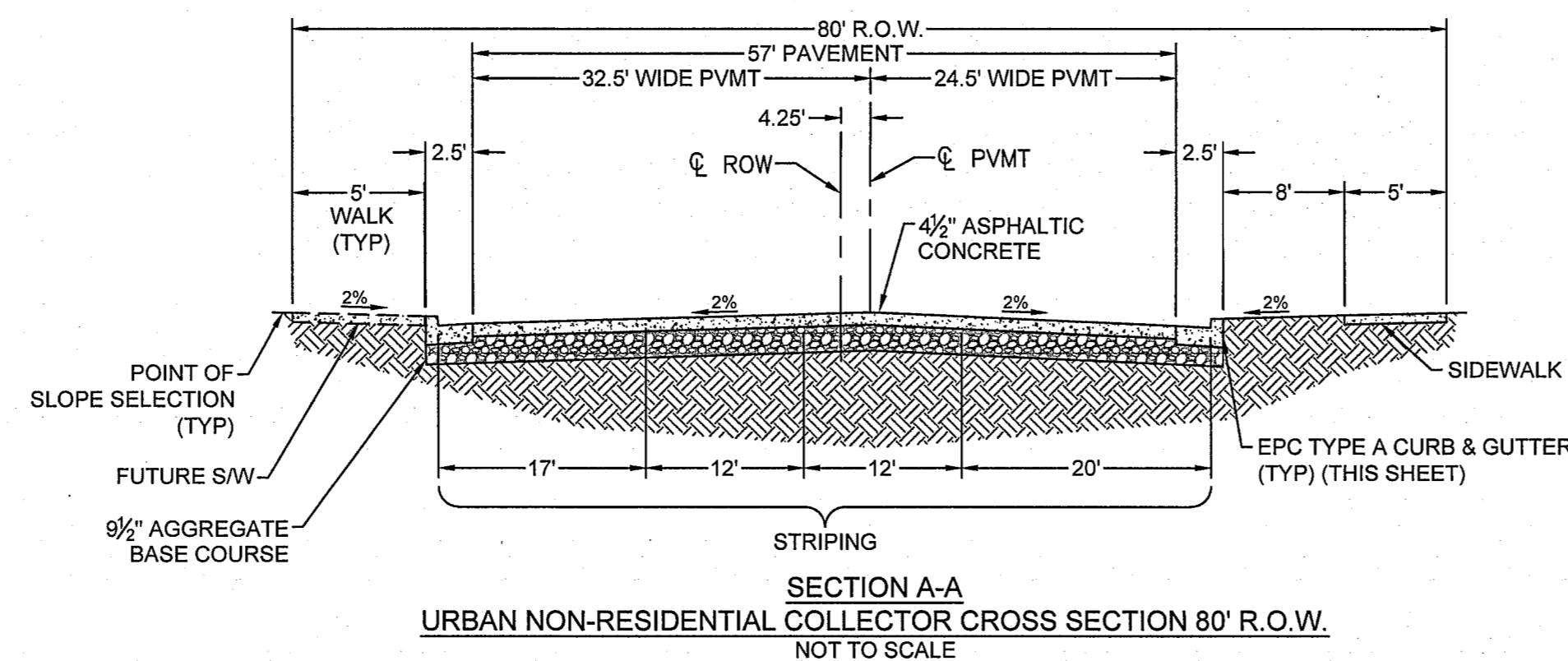
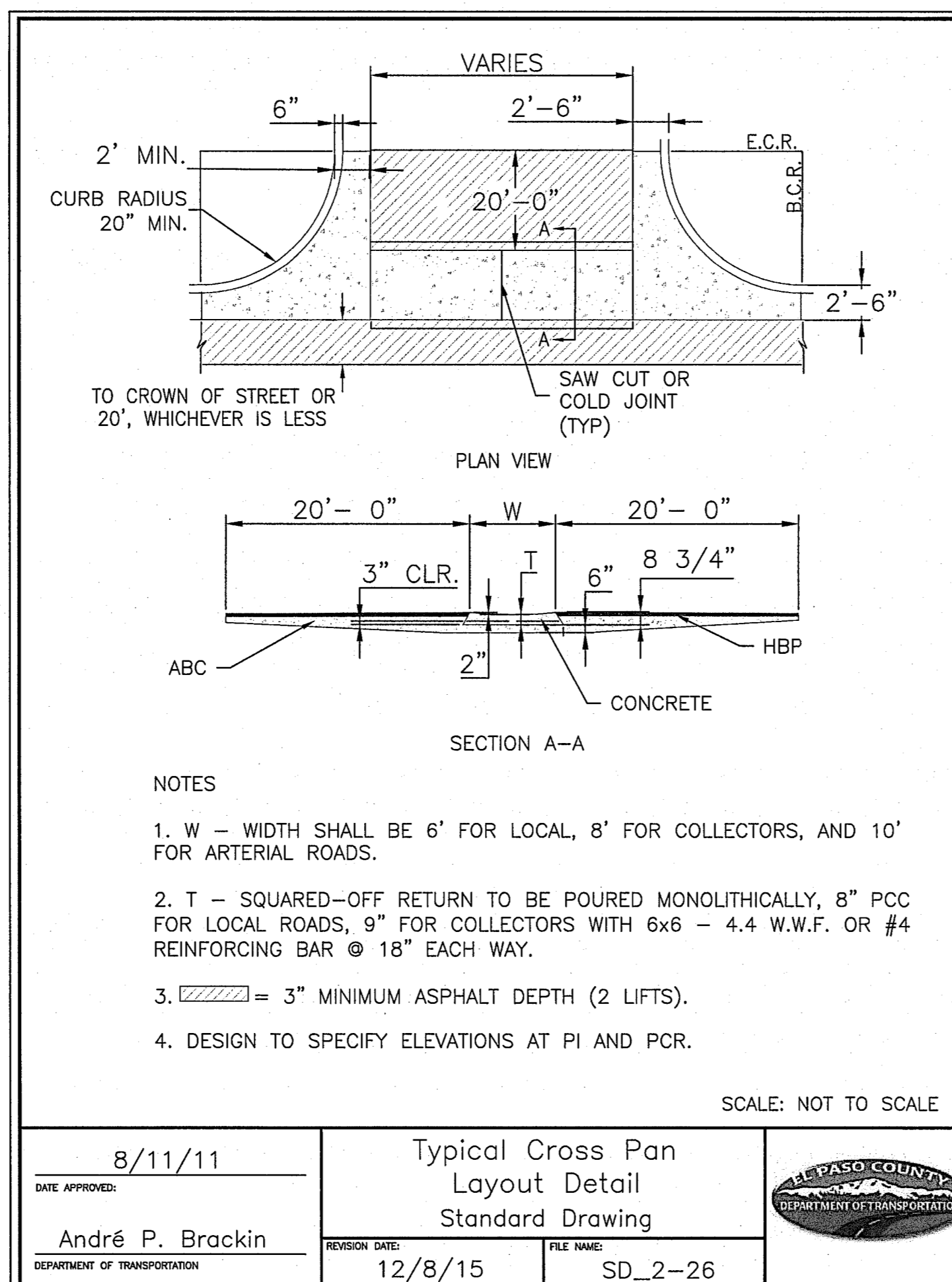
**Standard Notes for El Paso County Construction Plans**

ALL DRAINAGE AND ROADWAY CONSTRUCTION SHALL MEET THE STANDARDS AND SPECIFICATIONS OF THE CITY OF COLORADO SPRINGS/EL PASO COUNTY DRAINAGE CRITERIA MANUAL, VOLUMES 1 AND 2, AND THE EL PASO COUNTY ENGINEERING CRITERIA MANUAL.

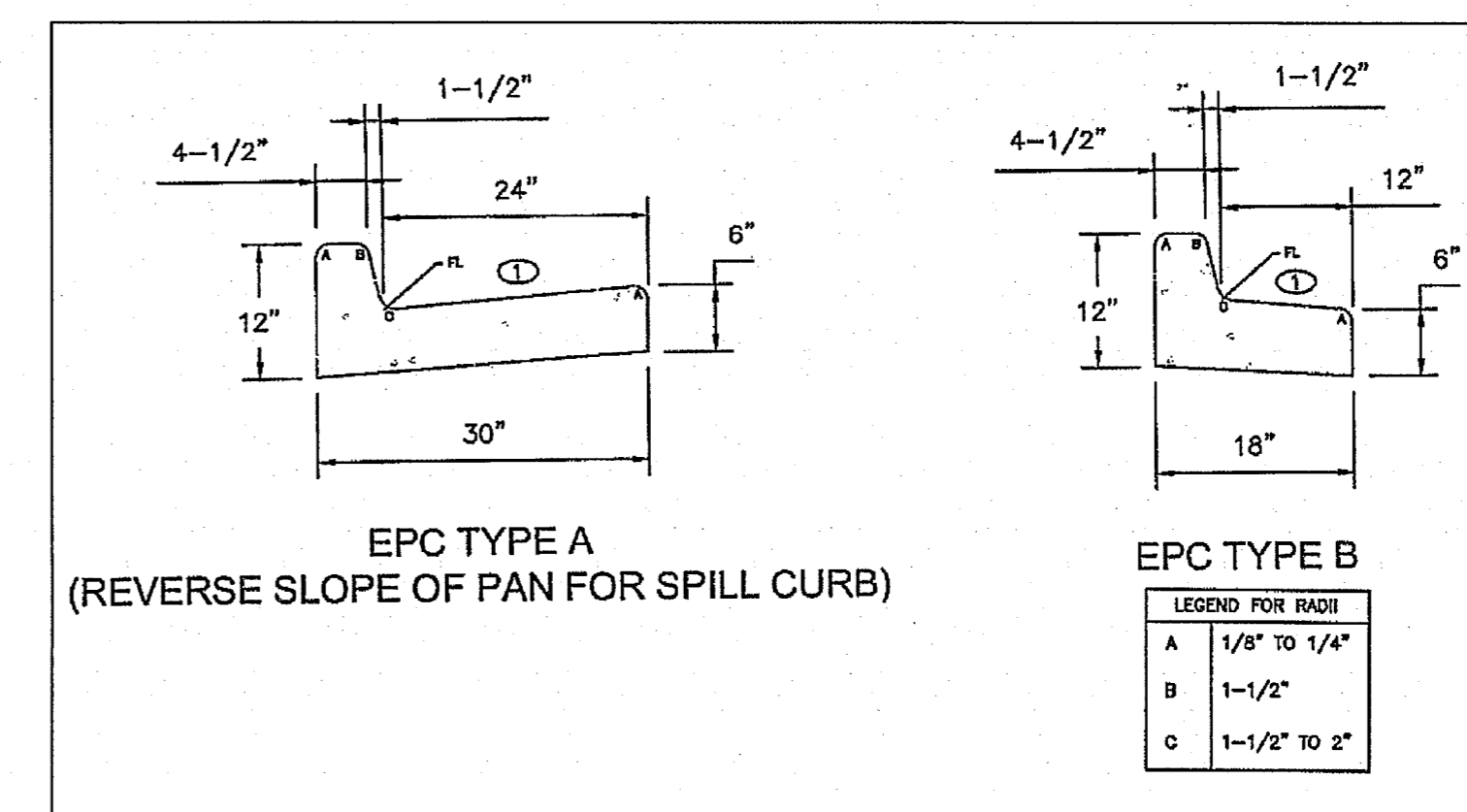
- CONTRACTOR SHALL BE RESPONSIBLE FOR THE NOTIFICATION AND FIELD NOTIFICATION OF ALL EXISTING UTILITIES, WHETHER SHOWN ON THE PLANS OR NOT, BEFORE BEGINNING CONSTRUCTION. LOCATION OF EXISTING UTILITIES SHALL BE VERIFIED BY THE CONTRACTOR PRIOR TO CONSTRUCTION. CALL 811 TO CONTACT THE UTILITY NOTIFICATION CENTER OF COLORADO (UNCC).
- CONTRACTOR SHALL KEEP A COPY OF THESE APPROVED PLANS, THE GRADING AND EROSION CONTROL PLAN, THE STORMWATER MANAGEMENT PLAN (SWMP), THE SOILS AND GEOTECHNICAL REPORT, AND THE APPROPRIATE DESIGN AND CONSTRUCTION STANDARDS AND SPECIFICATIONS AT THE JOB SITE AT ALL TIMES, INCLUDING THE FOLLOWING:
  - EL PASO COUNTY ENGINEERING CRITERIA MANUAL (ECM)
  - CITY OF COLORADO SPRINGS/EL PASO COUNTY DRAINAGE CRITERIA MANUAL, VOLUMES 1 AND 2
  - COLORADO DEPARTMENT OF TRANSPORTATION (CDOT) STANDARD SPECIFICATIONS FOR ROAD AND BRIDGE CONSTRUCTION
  - CDOT M & S STANDARDS
- NOTWITHSTANDING ANYTHING DEPICTED IN THESE PLANS IN WORDS OR GRAPHIC REPRESENTATION, ALL DESIGN AND CONSTRUCTION RELATED TO ROADS, STORM DRAINAGE AND EROSION CONTROL SHALL CONFORM TO THE STANDARDS AND REQUIREMENTS OF THE MOST RECENT VERSION OF THE RELEVANT ADOPTED EL PASO COUNTY STANDARDS, INCLUDING THE LAND DEVELOPMENT CODE, THE ENGINEERING CRITERIA MANUAL, THE DRAINAGE CRITERIA MANUAL, AND THE DRAINAGE CRITERIA MANUAL VOLUME 2. ANY DEVIATIONS FROM REGULATIONS AND STANDARDS MUST BE REQUESTED, AND APPROVED, IN WRITING. ANY MODIFICATIONS NECESSARY TO MEET CRITERIA AFTER-THE-FACT WILL BE ENTIRELY THE DEVELOPER'S RESPONSIBILITY TO RECTIFY.
- IT IS THE DESIGN ENGINEER'S RESPONSIBILITY TO ACCURATELY SHOW EXISTING CONDITIONS, BOTH ONSITE AND OFFSITE, ON THE CONSTRUCTION PLANS. ANY MODIFICATIONS NECESSARY DUE TO CONFLICTS, OMISSIONS, OR CHANGED CONDITIONS WILL BE ENTIRELY THE DEVELOPER'S RESPONSIBILITY TO RECTIFY.
- CONTRACTOR SHALL SCHEDULE A PRE-CONSTRUCTION MEETING WITH EL PASO COUNTY DEVELOPMENT SERVICES DEPARTMENT (DSD) - INSPECTIONS, PRIOR TO STARTING CONSTRUCTION.
- IT IS THE CONTRACTOR'S RESPONSIBILITY TO UNDERSTAND THE REQUIREMENTS OF ALL JURISDICTIONAL AGENCIES AND TO OBTAIN ALL REQUIRED PERMITS, INCLUDING BUT NOT LIMITED TO EL PASO COUNTY EROSION AND STORMWATER QUALITY CONTROL PERMIT (ESQCP), REGIONAL BUILDING FLOODPLAIN DEVELOPMENT PERMIT, U.S. ARMY CORPS OF ENGINEERS-ISSUED 401 AND/OR 404 PERMITS, AND COUNTY AND STATE FUGITIVE DUST PERMITS.
- CONTRACTOR SHALL NOT DEVIATE FROM THE PLANS WITHOUT FIRST OBTAINING WRITTEN APPROVAL FROM THE DESIGN ENGINEER AND DSD. CONTRACTOR SHALL NOTIFY THE DESIGN ENGINEER IMMEDIATELY UPON DISCOVERY OF ANY ERRORS OR INCONSISTENCIES.
- ALL STORM DRAIN PIPE SHALL BE CLASS III RCP UNLESS OTHERWISE NOTED AND APPROVED BY DSD.
- CONTRACTOR SHALL COORDINATE GEOTECHNICAL TESTING PER ECM STANDARDS. PAVEMENT DESIGN SHALL BE APPROVED BY EL PASO COUNTY DSD PRIOR TO PLACEMENT OF CURB AND GUTTER AND PAVEMENT.
- ALL CONSTRUCTION TRAFFIC MUST ENTER/EXIT THE SITE AT APPROVED CONSTRUCTION ACCESS POINTS.
- SIGHT VISIBILITY TRIANGLES AS IDENTIFIED IN THE PLANS SHALL BE PROVIDED AT ALL INTERSECTIONS. OBSTRUCTIONS GREATER THAN 18 INCHES ABOVE FLOWLINE ARE NOT ALLOWED WITHIN SIGHT TRIANGLES.
- SIGNING AND STRIPING SHALL COMPLY WITH EL PASO COUNTY DOT AND MUTCD CRITERIA. [IF APPLICABLE, ADDITIONAL SIGNING AND STRIPING NOTES WILL BE PROVIDED.]
- CONTRACTOR SHALL OBTAIN ANY PERMITS REQUIRED BY EL PASO COUNTY DOT, INCLUDING WORK WITHIN THE RIGHT-OF-WAY AND SPECIAL TRANSPORT PERMITS.
- THE LIMITS OF DISTURBANCE SHALL REMAIN WITHIN THE PROPERTY LINE UNLESS OTHERWISE NOTED. THE OWNER/DEVELOPER SHALL OBTAIN WRITTEN PERMISSION AND EASEMENTS, WHERE REQUIRED, FROM ADJOINING PROPERTY OWNER(S) PRIOR TO ANY OFF-SITE DISTURBANCE, GRADING, OR CONSTRUCTION.

- NOTES:**
- CONTRACTOR SHALL VERIFY LOCATION OF UTILITIES PRIOR TO ANY CONSTRUCTION.
  - CONTRACTOR SHALL NOTIFY EL PASO COUNTY DEPARTMENT OF TRANSPORTATION FOR A PRE-CONSTRUCTION CONFERENCE PRIOR TO COMMENCEMENT OF CONSTRUCTION.
  - CONTRACTOR SHALL OBTAIN NECESSARY CONSTRUCTION PERMITS PRIOR TO CONSTRUCTION.
  - ALL ROAD AND DRAINAGE CONSTRUCTION SHALL CONFORM TO EL PASO COUNTY STANDARD SPECIFICATIONS.

**NOTE:**  
AT LEAST 10 DAYS PRIOR TO THE ANTICIPATED START OF CONSTRUCTION, FOR PROJECTS THAT WILL DISTURB ONE ACRE OR MORE, THE OWNER OR OPERATOR OF THE CONSTRUCTION ACTIVITY SHALL SUBMIT A PERMIT APPLICATION FOR STORMWATER DISCHARGE TO THE COLORADO DEPARTMENT OF PUBLIC HEALTH AND ENVIRONMENT, WATER QUALITY CONTROL DIVISION. THE APPLICATION CONTAINS CERTIFICATION OF COMPLETION OF A STORMWATER MANAGEMENT PLAN (SWMP), OF WHICH THIS GRADING AND EROSION CONTROL PLAN MAY BE A PART.



**PEDESTRIAN INTERSECTION RAMP DETAIL**  
 SCALE: 1" = 10'



DESIGNED BY: MAB  
 PROJECT ENGINEER: MAB  
 PROJECT MANAGER: MAB  
 DATE: 10/31/18  
 JOB NO: 160301  
 CAD FILE NO: 160301-Base  
 DRAWN BY: HAO  
 SCALE: 1" = 60'  
 VERT. N/A

PREPARED BY:

3520 Austin Bluffs Parkway Suite 102  
 Colorado Springs, CO 80918  
 (719) 266-5212  
 fax: (719) 266-5341

JUDGE ORR ROAD RV PARK & STORAGE  
 COLORADO SPRINGS, COLORADO  
 ROADWAY OVERALL PLAN

**SHEET**  
 3 of 3

PCD PROJECT NO. PPR-16-040

M:\LAND PROJECTS\2016\160301-Judge Orr Road RV Park\DWG\160301-Base.dwg Jim.Gill Ffr, 06/14/19 3:30 PM