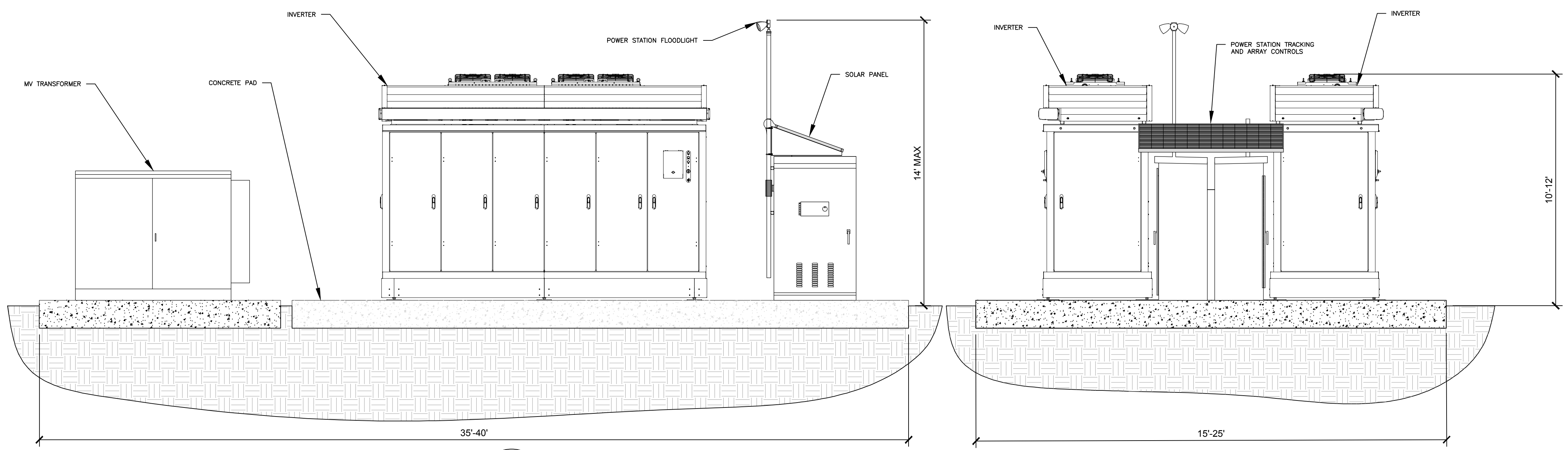
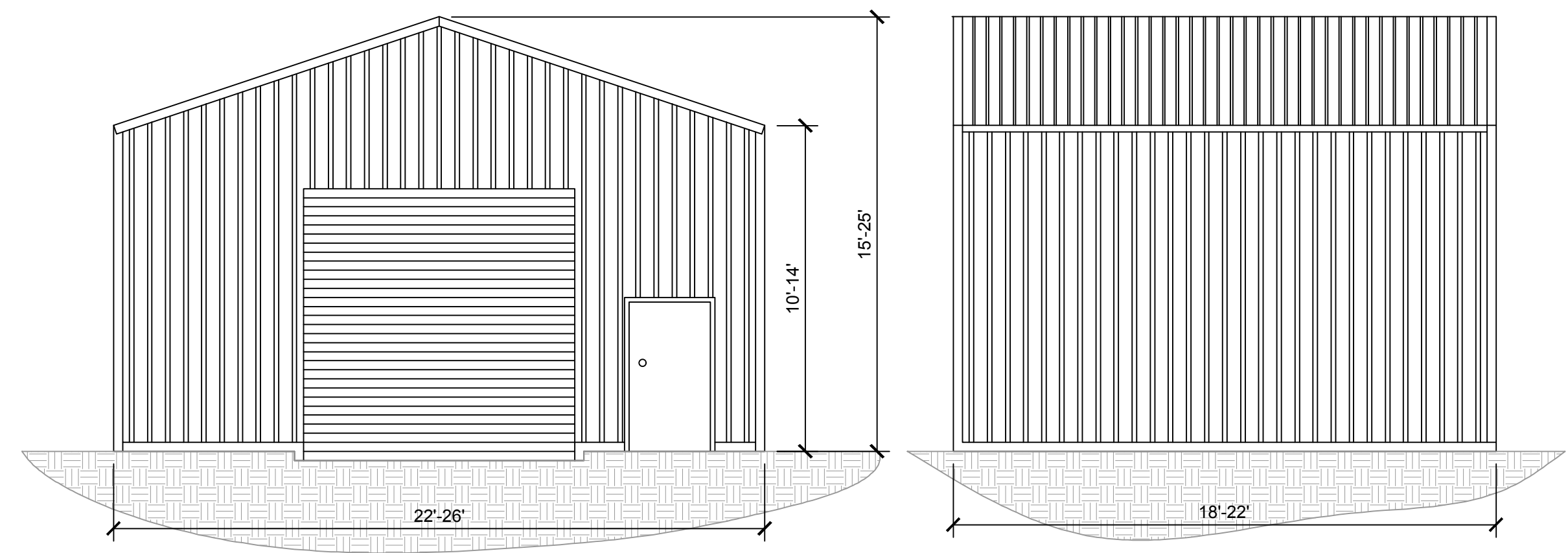


1 TYPICAL TRACKING ARRAY-FRONT AND SIDE ELEVATIONS
 09.1 SCALE: NTS



2 POWER STATION-FRONT AND SIDE ELEVATIONS
 09.1 SCALE: NTS



3 O&M/STORAGE SHED-FRONT AND SIDE ELEVATIONS
 09.1 SCALE: NTS

juwi Inc. 1710 28th St. Suite 1000 Boulder, CO 80301 www.juwienergy.com	
Revisions A. JRS 06/18/18 16:07/11/18 B. JRS 10/22/18 05:10/2/18	DRAWING NUMBER/REVISED
PALMER SOLAR PROJECT AND WILLIAMS CREEK SUBSTATION 60.00 MW AC EL PASO COUNTY, CO	
Drawn: JRS Approved: JRS	Date: 10/22/18
Drawn By: JRS	Latest Rev: B

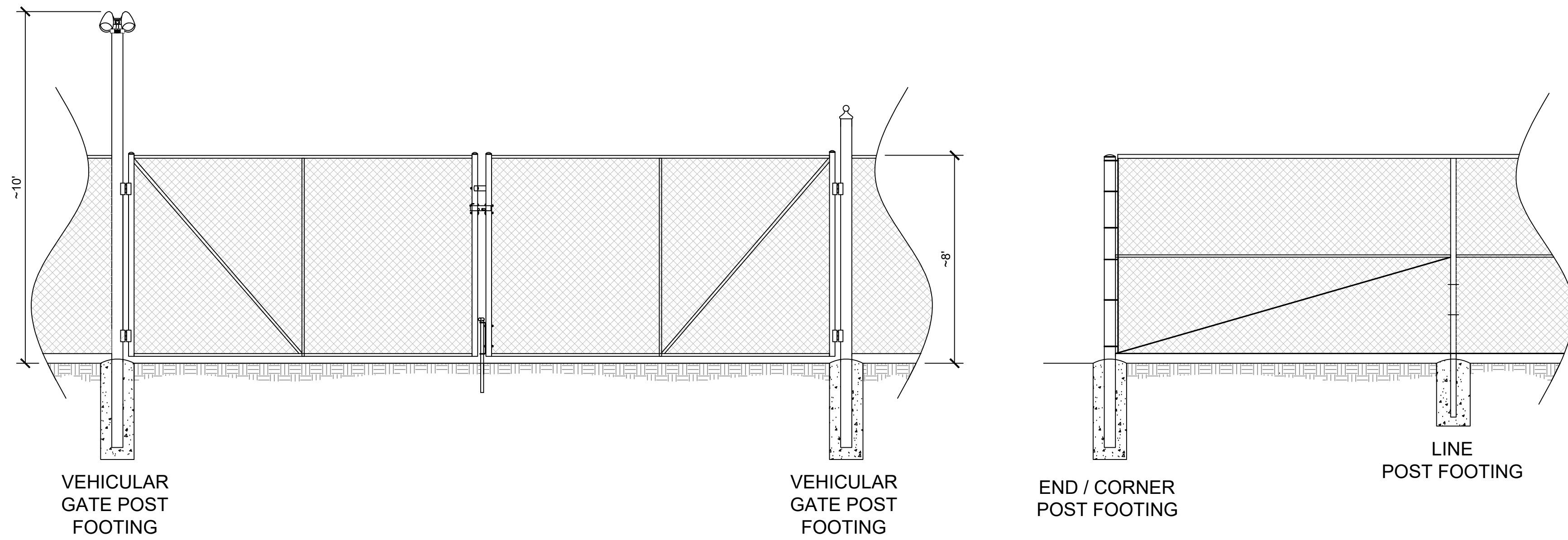
WIND/SOLAR ENERGY GENERATION OVERLAY PLAN
 PCD EA NUMBER: EA18149
 FILE NUMBER: WSEO181
 A TRACT LOCATED IN SECTIONS 22, 26, 27, 28, 35, TOWNSHIP 16 SOUTH, ALL IN RANGE 66 WEST OF THE SIXTH PRINCIPAL MERIDIAN, EL PASO COUNTY, COLORADO

PRELIMINARY,
 NOT FOR
 CONSTRUCTION

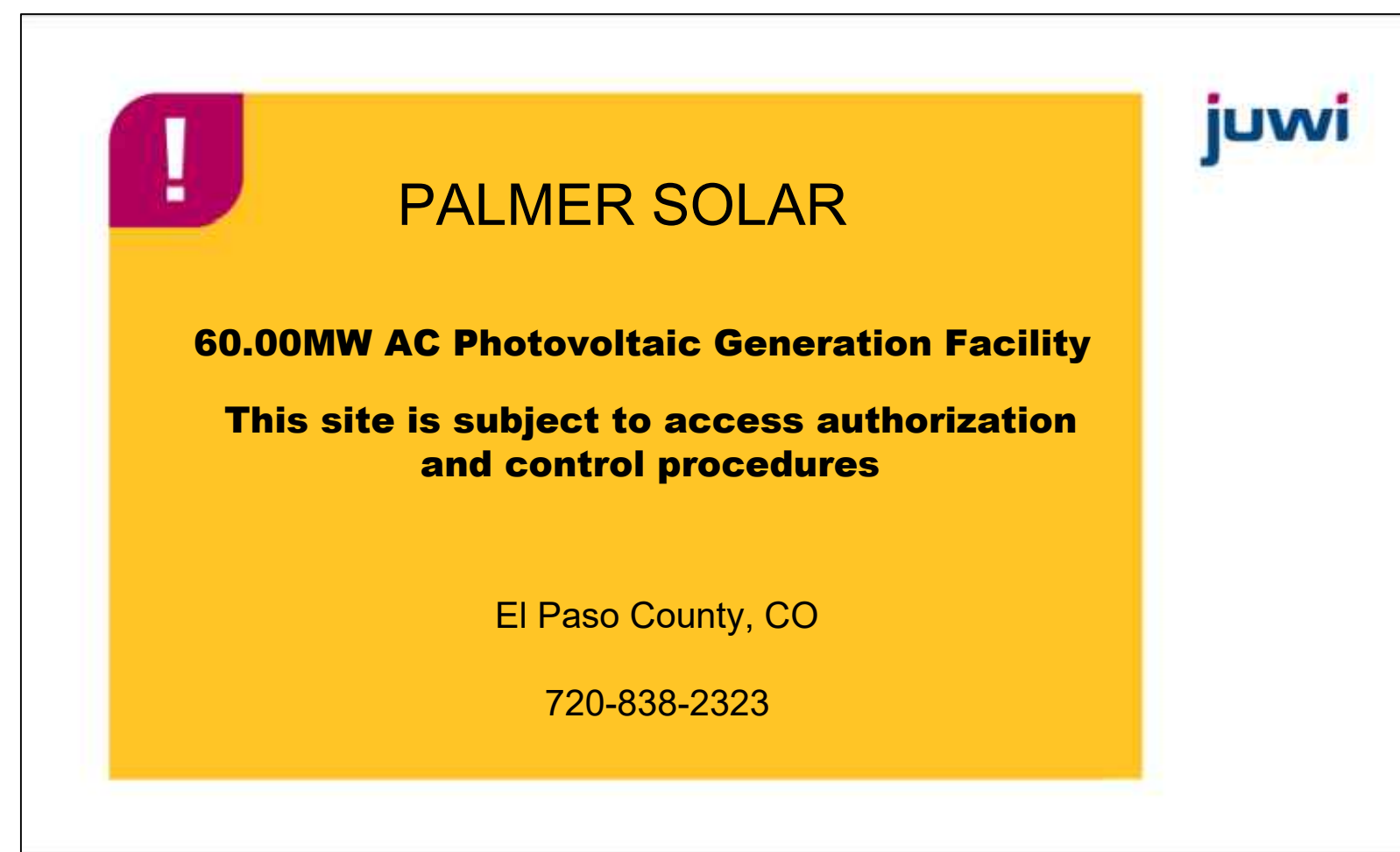
PROPRIETARY AND CONFIDENTIAL
 TO BE REPRODUCED IN COLOR
 PRINT SIZE: A4/11
 ISSUED BY: JRS
 JOB #: C0404
 SCALE: NTS
 DWG #:

09.1

DWG TITLE:
 Site Plan Elevations



1 GATE & TYPICAL FENCE DETAILS
09.2 SCALE: NTS



SITE ENTRANCE SIGN



FENCE SAFETY SIGNS
(INSTALLED ON FENCE EVERY 200 FEET)



2 SITE SIGNAGE
09.2 SCALE: NTS

Rev	Drawn	Approved	Revisions
A	JRS/07/04/18	JRS/07/11/18	BARBED WIRE REMOVED FROM LEFT TO RIGHT
B	JRS/07/04/18	JRS/07/11/18	
C	JRS/07/04/18	JRS/07/11/18	

DRAWN BY: JRS
 LATEST REV: C

juwi
 Juwi Inc.
 1710 29th St. Suite 1068
 Boulder, CO 80301
 www.juwiinc.com

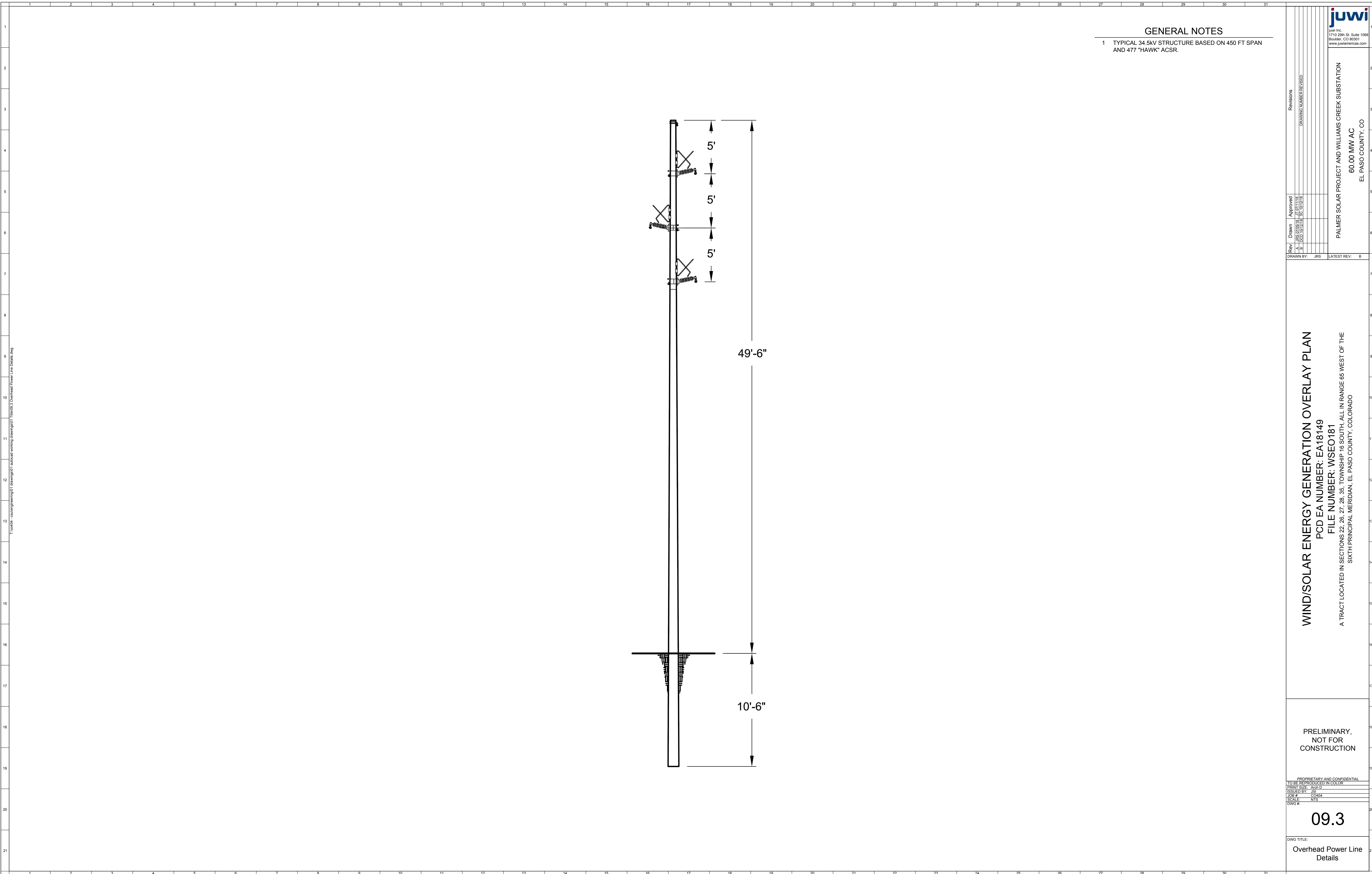
PALMER SOLAR PROJECT AND WILLIAMS CREEK SUBSTATION
 60.00 MW AC
 EL PASO COUNTY, CO

WIND/SOLAR ENERGY GENERATION OVERLAY PLAN
 PCD EA NUMBER: EA18149
 FILE NUMBER: WSEO181
 A TRACT LOCATED IN SECTIONS 22, 26, 27, 28, 35, TOWNSHIP 16 SOUTH, ALL IN RANGE 65 WEST OF THE SIXTH PRINCIPAL MERIDIAN, EL PASO COUNTY, COLORADO

PROPRIETARY AND CONFIDENTIAL
 TO BE REPRODUCED IN COLOR
 PRINT SIZE: A4/D
 ISSUED BY: JRS
 JOB # : C0404
 SCALE : NTS
 DWG # :

09.2

DWG TITLE:
Sign and Fence Details



GENERAL NOTES
 1 TYPICAL 34.5kV STRUCTURE BASED ON 450 FT SPAN AND 477 "HAWK" ACSR.



Rev	Drawn	Approved	Revisions
A	JRS 07/05/18	JRS 07/11/18	
B	DOJ 10/22/18	SEP 10/21/18	DRAWING NUMBER REUSED

PALMER SOLAR PROJECT AND WILLIAMS CREEK SUBSTATION
 60.00 MW AC
 EL PASO COUNTY, CO

DRAWN BY: JRS LATEST REV: B

WIND/SOLAR ENERGY GENERATION OVERLAY PLAN
 PCD EA NUMBER: EA18149
 FILE NUMBER: WSEO181
 A TRACT LOCATED IN SECTIONS 22, 26, 27, 28, 35, TOWNSHIP 16 SOUTH, ALL IN RANGE 66 WEST OF THE SIXTH PRINCIPAL MERIDIAN, EL PASO COUNTY, COLORADO

PRELIMINARY,
 NOT FOR
 CONSTRUCTION

PROPRIETARY AND CONFIDENTIAL
 TO BE REPRODUCED IN COLOR
 PRINT SIZE: A4x11 D
 ISSUED BY: JRS
 JOB #: C0404
 SCALE: NTS
 DWG #:

09.3

DWG TITLE:
 Overhead Power Line
 Details

