

PRELIMINARY
 NOT FOR BIDDING
 NOT FOR CONSTRUCTION

COPYRIGHT
 THESE PLANS ARE AN INSTRUMENT OF SERVICE
 AND ARE THE PROPERTY OF GALLOWAY, AND MAY
 NOT BE DUPLICATED, DISCLOSED, OR REPRODUCED
 WITHOUT THE WRITTEN CONSENT OF GALLOWAY.
 COPYRIGHTS AND INFRINGEMENTS WILL BE
 ENFORCED AND PROSECUTED.

MURPHY OIL USA, INC.
 200 PEACH STREET
 EL DORADO, AR 71730

MURPHY
 USA

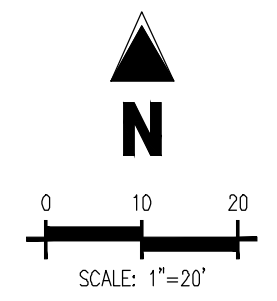
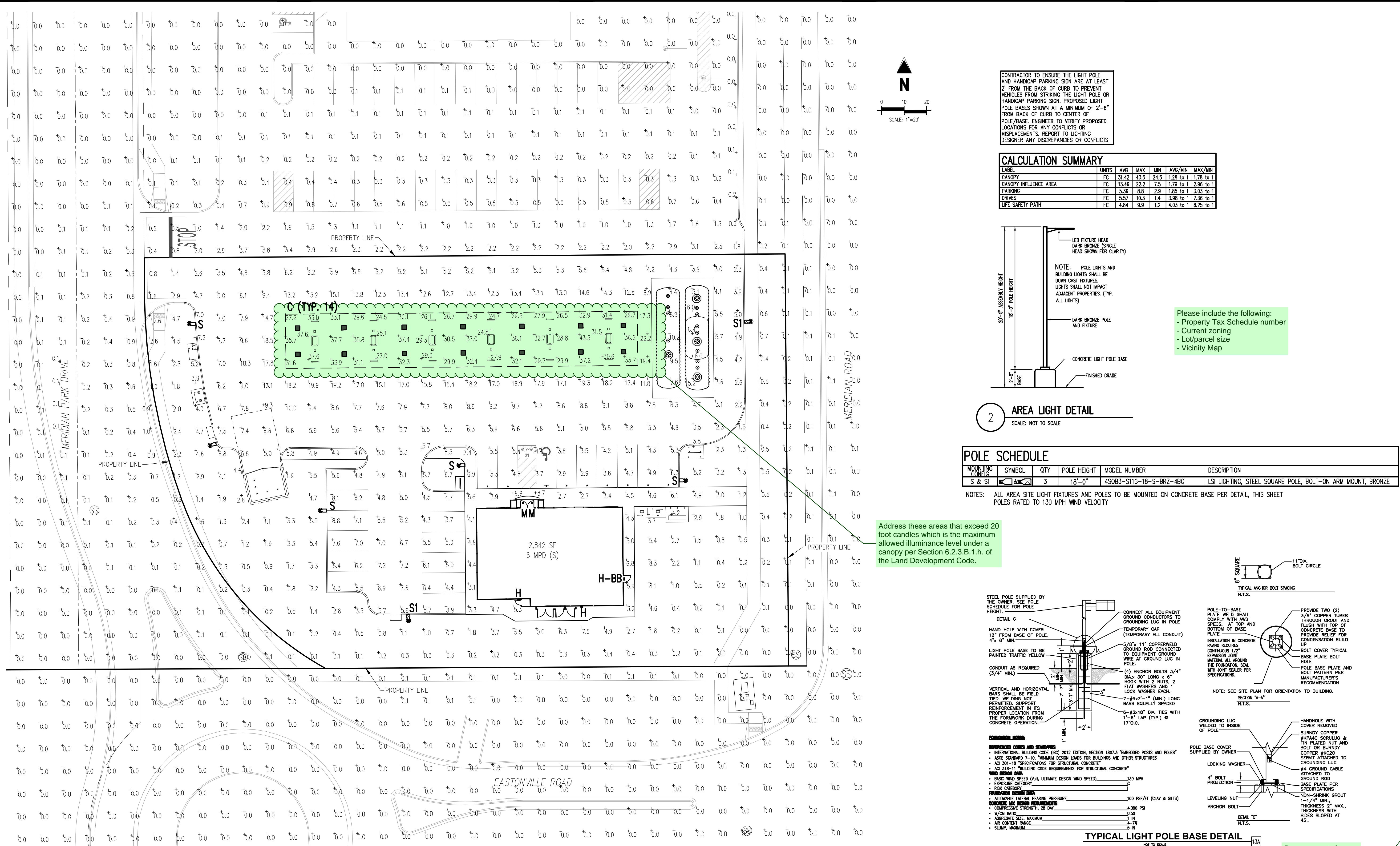
SITE DEVELOPMENT PLAN
 MURPHY OIL USA #7968

XXXX MERIDIAN PARK DRIVE
 EL PASO COUNTY, COLORADO

#	Date	Issue / Description	Init.

Project No: Mcc901028
 Drawn By: JMG
 Checked By: JMG
 Date: 02/09/2024

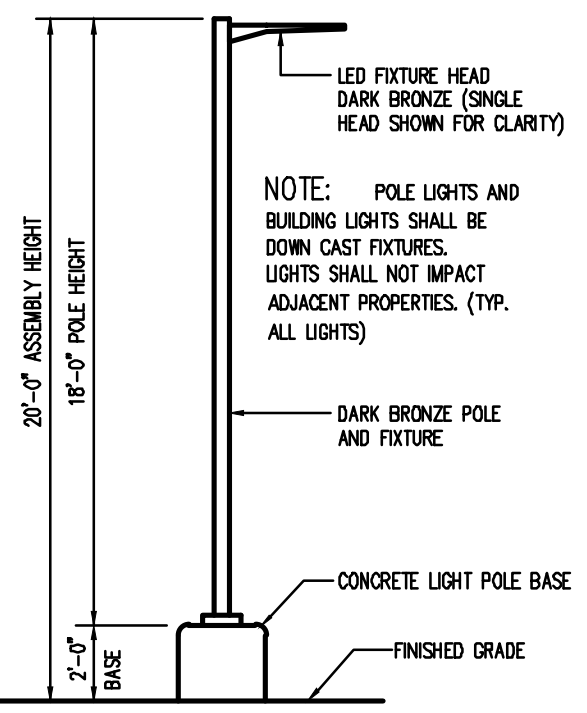
PHOTOMETRIC SITE PLAN



CONTRACTOR TO ENSURE THE LIGHT POLE AND HANDICAP PARKING SIGN ARE AT LEAST 2' FROM THE BACK OF CURB TO PREVENT VEHICLES FROM STRIKING THE LIGHT POLE OR HANDICAP PARKING SIGN. PROPOSED LIGHT POLE BASES SHOWN AT A MINIMUM OF 2'-6" FROM BACK OF CURB TO CENTER OF POLE/BASE. ENGINEER TO VERIFY PROPOSED LOCATIONS FOR ANY CONFLICTS OR MISPLACEMENTS. REPORT TO LIGHTING DESIGNER ANY DISCREPANCIES OR CONFLICTS

CALCULATION SUMMARY

LABEL	UNITS	AVG	MAX	MIN	AVG/MIN	MAX/MIN
CANOPY	FC	31.42	43.5	24.5	1.28 to 1	1.78 to 1
CANOPY INFLUENCE AREA	FC	13.46	22.2	7.5	1.79 to 1	2.96 to 1
PARKING	FC	5.36	8.8	2.9	1.85 to 1	3.03 to 1
DRIVES	FC	5.57	10.3	1.4	3.98 to 1	7.36 to 1
LIFE SAFETY PATH	FC	4.84	9.9	1.2	4.03 to 1	8.25 to 1



Please include the following:

- Property Tax Schedule number
- Current zoning
- Lot/parcel size
- Vicinity Map

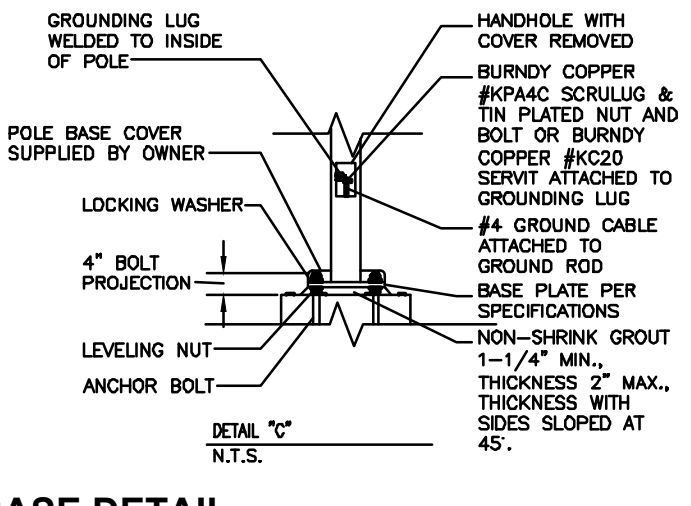
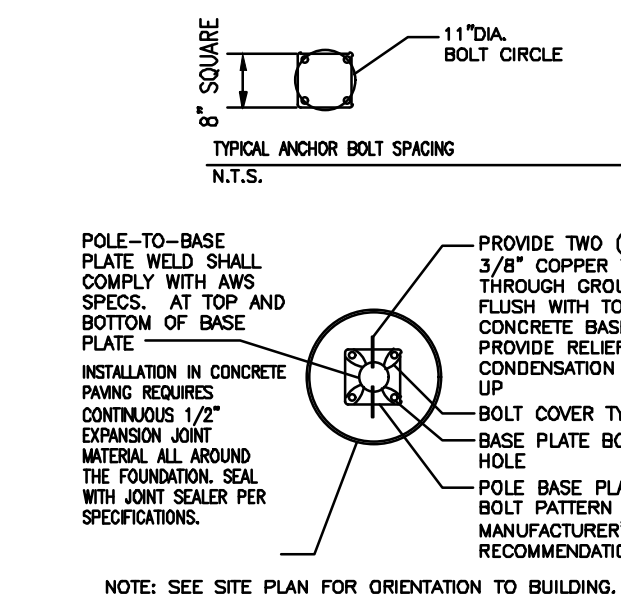
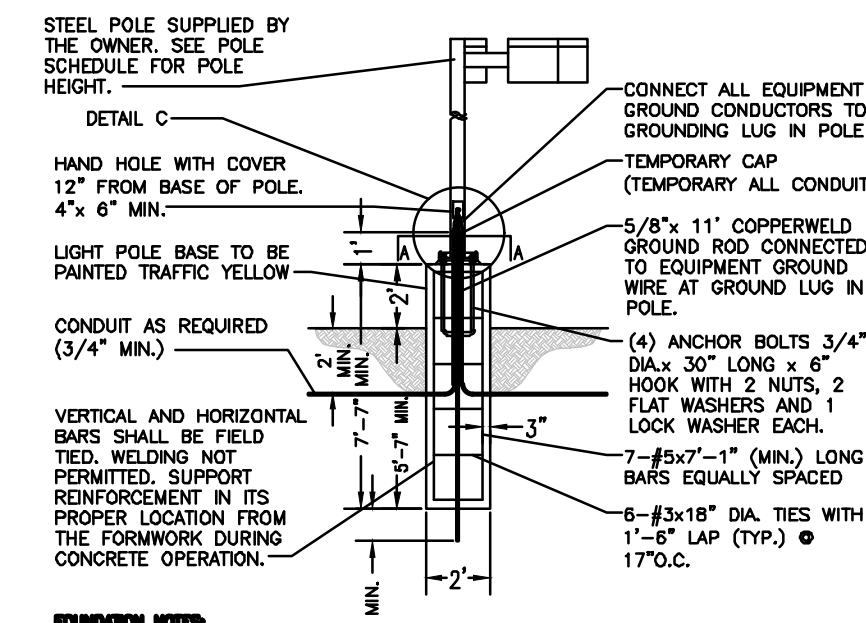
2 AREA LIGHT DETAIL
 SCALE: NOT TO SCALE

POLE SCHEDULE

MOUNTING CONFIG	SYMBOL	QTY	POLE HEIGHT	MODEL NUMBER	DESCRIPTION
S & SI		3	18'-0"	4SQB3-S11G-18-S-BR2-4BC	LSI LIGHTING, STEEL SQUARE POLE, BOLT-ON ARM MOUNT, BRONZE

NOTES: ALL AREA SITE LIGHT FIXTURES AND POLES TO BE MOUNTED ON CONCRETE BASE PER DETAIL, THIS SHEET
 POLES RATED TO 130 MPH WIND VELOCITY

Address these areas that exceed 20 foot candles which is the maximum allowed illuminance level under a canopy per Section 6.2.3.B.1.h. of the Land Development Code.



TYPICAL LIGHT POLE BASE DETAIL
 NOT TO SCALE

Per comments from Enumerations: Store address should be 7825 Meridian Park Drive, Gas Canopy is 7829 Meridian Park Drive.

1 PHOTOMETRIC SITE PLAN
 SCALE: 1"=20'-0"

LUMINAIRE SCHEDULE

MOUNTING CONFIG	SYMBOL	QTY	ASSEMBLY HEIGHT	POLE HEIGHT	LUMENS	TOTAL WATTS	MODEL NUMBER	DESCRIPTION
S		5	20'-0"	18'-0"	18904	135	SLM-18L-SIL-FT-UNV-50-70-BRZ	LSI LIGHTING, SLICE MEDIUM LED SERIES AREA LIGHT, 18,000 LUMENS PACKAGE, 5000K 70 CRI, SINGLE HEAD FLAT LENS FIXTURE, FORWARD THROW
SI		2	20'-0"	18'-0"	18904	135	SLM-18L-SIL-FT-UNV-50-70-BRZ-IL	LSI LIGHTING, SLICE MEDIUM LED SERIES AREA LIGHT, 18,000 LUMENS PACKAGE, 5000K 70 CRI, SINGLE HEAD FLAT LENS FIXTURE, FORWARD THROW WITH INTERNAL LOUVER
C		14	15'-0"	N/A	19071	125	CRUS-SC-LED-HO-50-UE-WHT	LSI LIGHTING, LEGACY SERIES, HIGH OUTPUT DRIVER, FLAT LENS CANOPY FIXTURE
H		2	8'-3"	N/A	4124	30	X1M 3 LED O4L 50 UE BRZ	LSI LIGHTING, MIRADA (X1M) WALL MOUNT LUMINAIRE, 5000K CCT, 4000 LUMEN PACKAGE, BRONZE COLOR, H-BB WITH BATTERY BACK-UP
H-BB		1	8'-8"	N/A	2333	22	LCD6LED25LUNVDM135WF TR6RWHAZ EM	LSI LIGHTING, LOD6 DOWN LIGHT LUMINAIRE, 3500K CCT, 2500 LUMENS, WIDE FLOOD HAZE SEMI-DIFFUSED WALL WASH REFLECTOR, WHITE OR EQUIVALENT

NOTES: ALL AREA SITE LIGHT FIXTURES AND POLES TO BE MOUNTED ON CONCRETE BASE PER DETAIL, THIS SHEET
 ALL ANCHOR BOLTS TO BE ORIENTED IN THE SAME DIRECTION (SQUARE) AT INSTALLATION PER MANUFACTURER'S SPECIFICATIONS.
 ALL PROPOSED FIXTURES ARE FULL CUT-OFF FIXTURES

PROPERTY OF PHOTOMETRIC, Inc. All Rights Reserved. PHOTOMETRIC, Inc. is a registered trademark of PHOTOMETRIC, Inc. in the United States and other countries. 2024

Scottsdale® Legacy (CRUS) LED Canopy Luminaire. Overview table with Lumens, Wattage, Efficacy, Weight. Features & Specifications section detailing construction, electrical, and hazardous location details. Includes a small image of the luminaire and a technical drawing.

Scottsdale® Legacy (CRUS) LED Canopy Luminaire. Ordering guide table with columns for Profile, Distribution, Light Source, Driver, Color Temperature, Input Voltage, Finish, and Options. Includes accessory ordering information and a technical drawing.

Slice Medium (SLM) Outdoor LED Area Light. Overview table with Lumens, Wattage, Efficacy, Weight. Features & Specifications section detailing construction, electrical, and installation details. Includes a small image of the luminaire and a technical drawing.

Slice Medium Outdoor LED Area Light. Ordering guide table with columns for Luminaire Profile, Light Package, Lumens Package, Light Output, Distribution, Orientation, Voltage, and Driver. Includes accessory ordering information and a technical drawing.

Mirada Medium Wall Sconce (XWM) Outdoor Wall Sconce. Overview table with Lumens, Wattage, Efficacy, Weight. Features & Specifications section detailing construction, electrical, and hazardous location details. Includes a small image of the sconce and a technical drawing.

Mirada Medium Wall Sconce (XWM) Outdoor Wall Sconce. Ordering guide table with columns for Family, Distribution, Light Source, Lumens Package, Color Temperature, Voltage, Finish, Controls, Options. Includes accessory ordering information and a technical drawing.

6" LED Commercial Downlight. Features & Specifications section detailing optical system, electrical, and dimensions. Includes a small image of the downlight and a technical drawing.

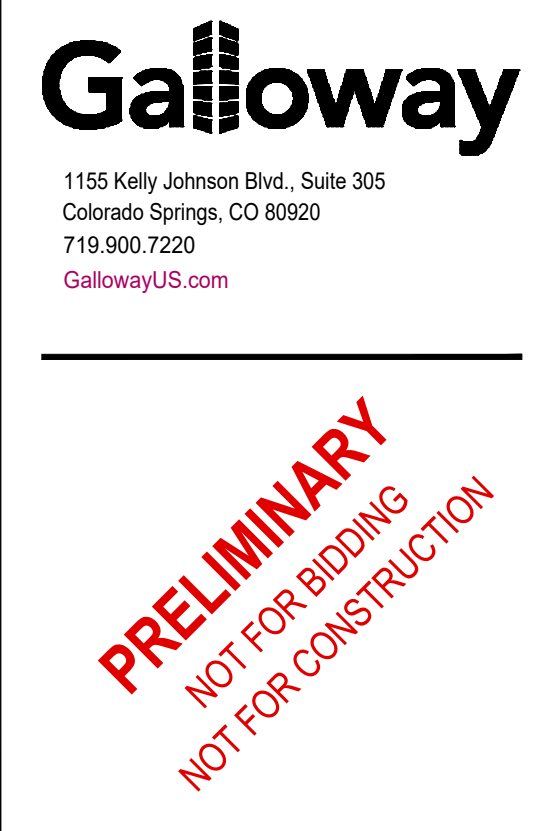
6" LED Commercial Downlight. Luminaire Ordering Guide table with columns for Family/Size, LED, Lumens Package, Voltage, Driver, Color Temperature, CRN, Beam Optics. Includes accessory ordering information and a technical drawing.

LSI Industries Inc. 10000 Alliance Rd. Cincinnati, OH 45242. Page 1/9 Rev. 06/29/23. SPEC.1028.A.0620

LSI Industries Inc. 10000 Alliance Rd. Cincinnati, OH 45242. Page 2/9 Rev. 06/29/23. SPEC.1028.A.0620

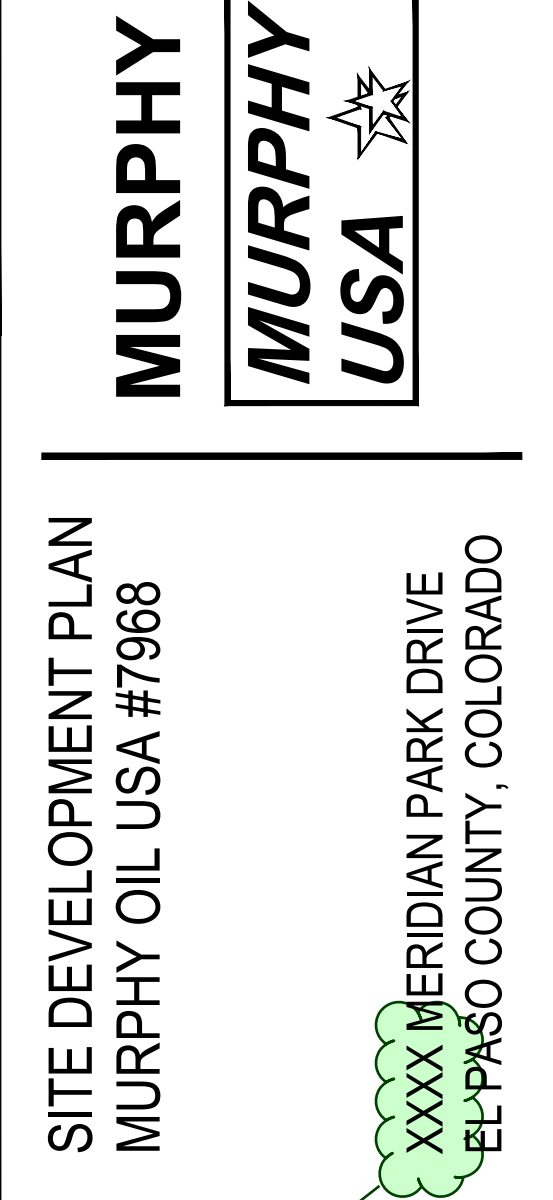
LSI Industries Inc. 10000 Alliance Rd. Cincinnati, OH 45242. Page 3/9 Rev. 12/14/21. SPEC.1028.A.0420

LSI Industries Inc. 10000 Alliance Rd. Cincinnati, OH 45242. Page 3/9 Rev. 12/14/21. SPEC.1028.A.0420



PRELIMINARY NOT FOR BIDDING NOT FOR CONSTRUCTION

MURPHY OIL USA, INC. 200 PEACH STREET EL DORADO, AR 71730



SITE DEVELOPMENT PLAN MURPHY OIL USA #7968. XXXX MERIDIAN PARK DRIVE EL PASO COUNTY, COLORADO. Includes a table for Date, Issue, Description, Init. and Project No. Mcc901028. Includes text: PLANNING AND COMMUNITY DEVELOPMENT DIRECTOR: PHOTOMETRIC DETAILS. Includes a large L1.1 logo and Sheet 2 of 2.