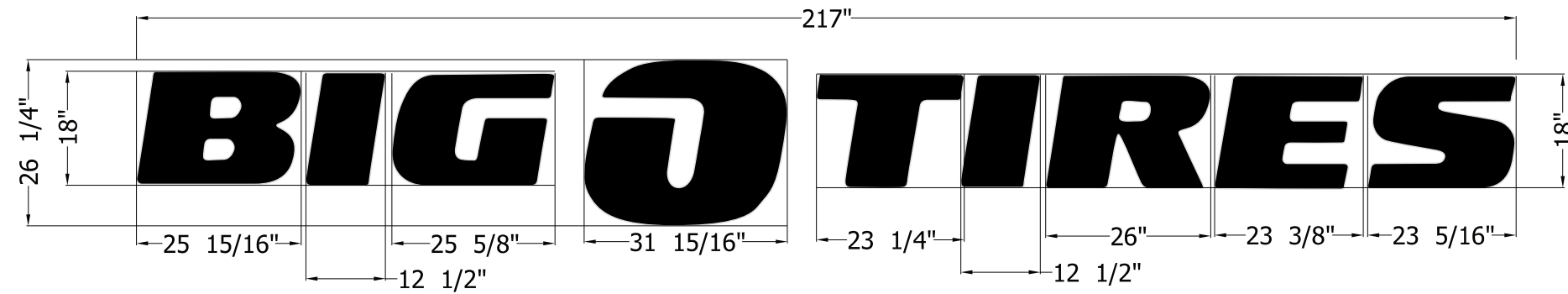


# Sign Type: CHANNEL LETTERS

## NORTH SIDE



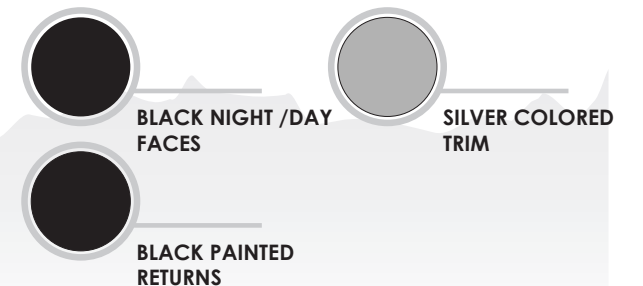
Project: BIG O TIRE S  
Address: 5820 OMAHA BLVD  
City/State: COLORADO SPRINGS, CO 80915  
Sales Rep: CG  
Artist: CG  
Date: 6/1/17

### Client Approval

Signed: \_\_\_\_\_

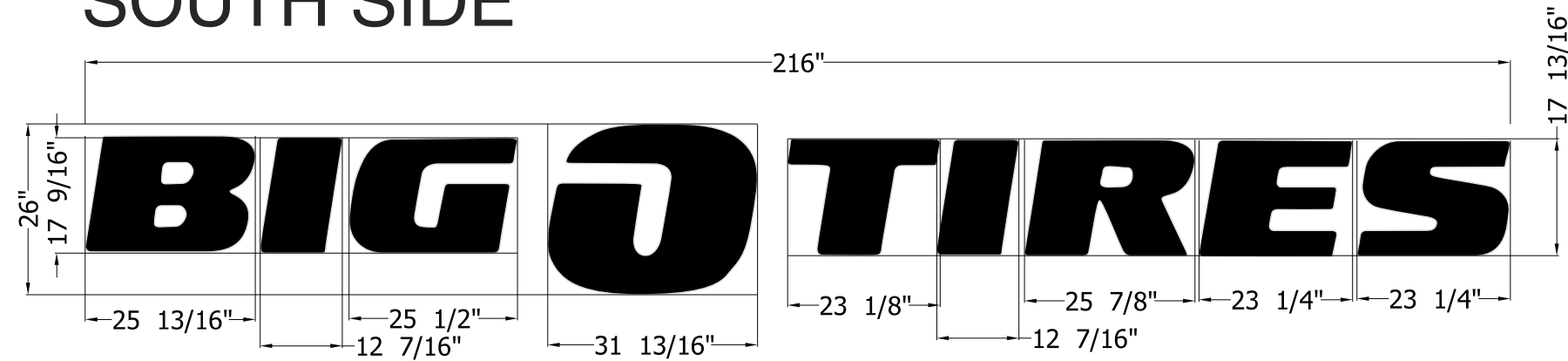
Date: \_\_\_\_\_

#### COLORS



# Sign Type: CHANNEL LETTERS

## SOUTH SIDE



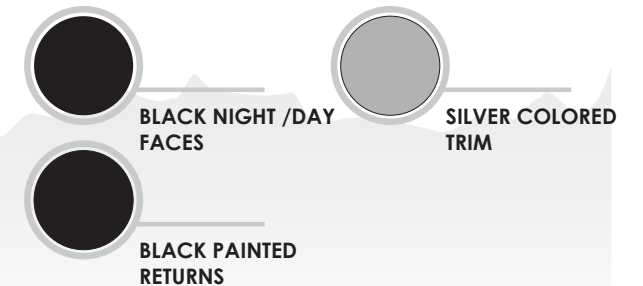
Project: BIG O TIRE S  
Address: 5820 OMAHA BLVD  
City/State: COLORADO SPRINGS, CO 80915  
Sales Rep: CG  
Artist: CG  
Date: 6/1/17

Client Approval

Signed: \_\_\_\_\_

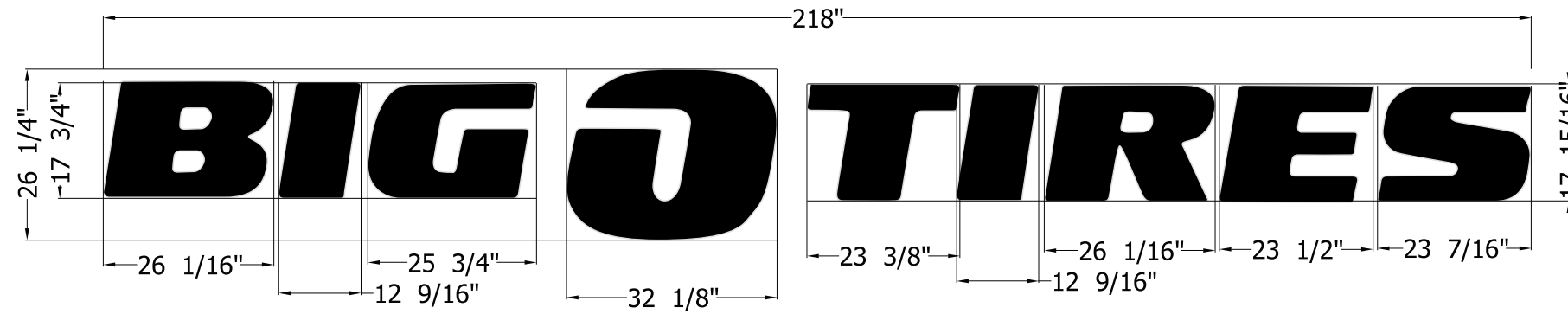
Date: \_\_\_\_\_

### COLORS



# Sign Type: CHANNEL LETTERS

## EAST SIDE



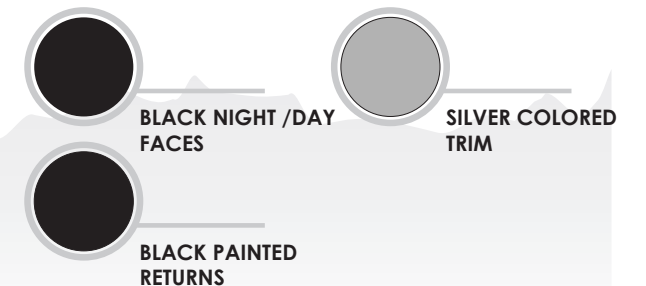
Project: BIG O TIRE S  
 Address: 5820 OMAHA BLVD  
 City/State: COLORADO SPRINGS, CO 80915  
 Sales Rep: CG  
 Artist: CG  
 Date: 6/1/17

### Client Approval

Signed: \_\_\_\_\_

Date: \_\_\_\_\_

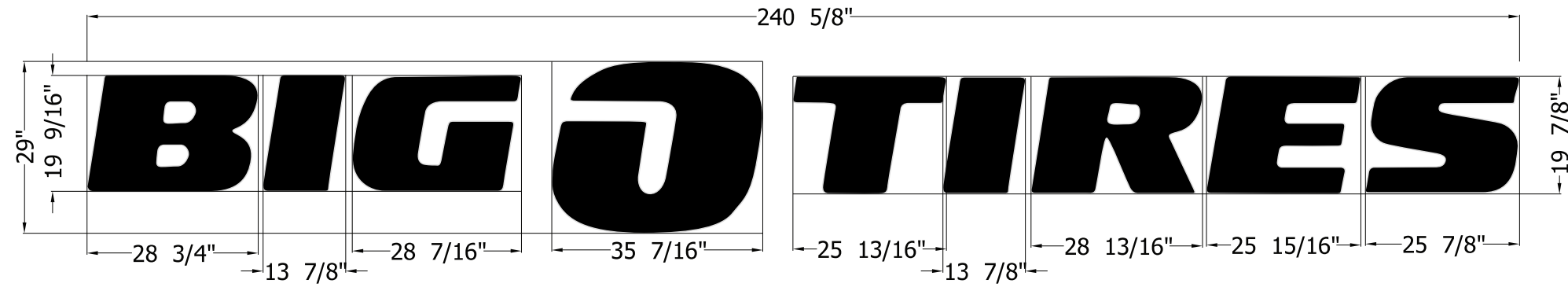
#### COLORS





# Sign Type: CHANNEL LETTERS

## WEST SIDE



Project: BIG O TIRE S  
Address: 5820 OMAHA BLVD  
City/State: COLORADO SPRINGS, CO 80915  
Sales Rep: CG  
Artist: CG  
Date: 6/1/17

### Client Approval

Signed: \_\_\_\_\_

Date: \_\_\_\_\_

#### COLORS

