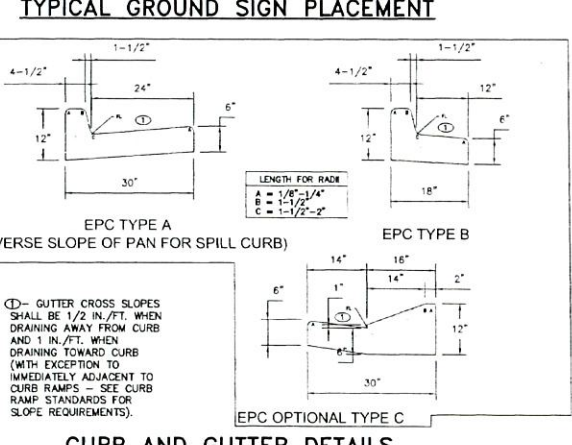
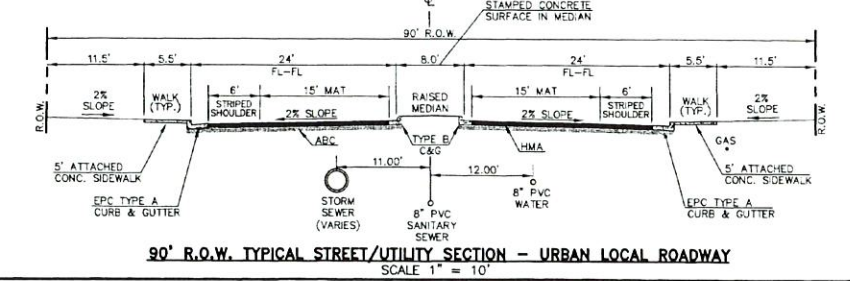
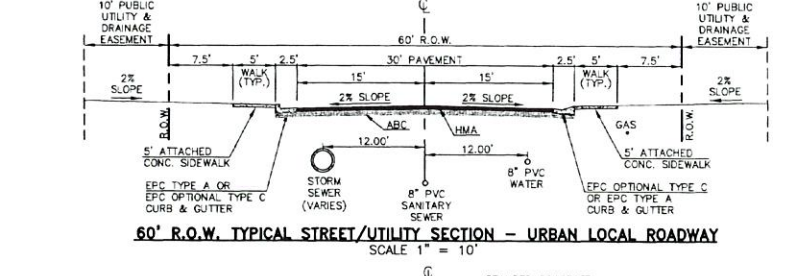
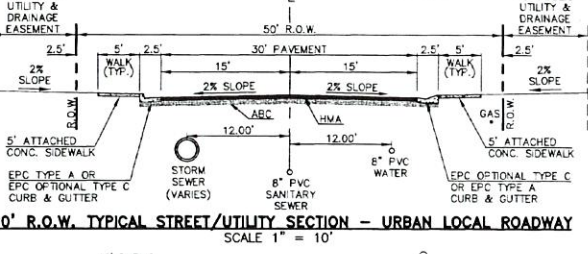
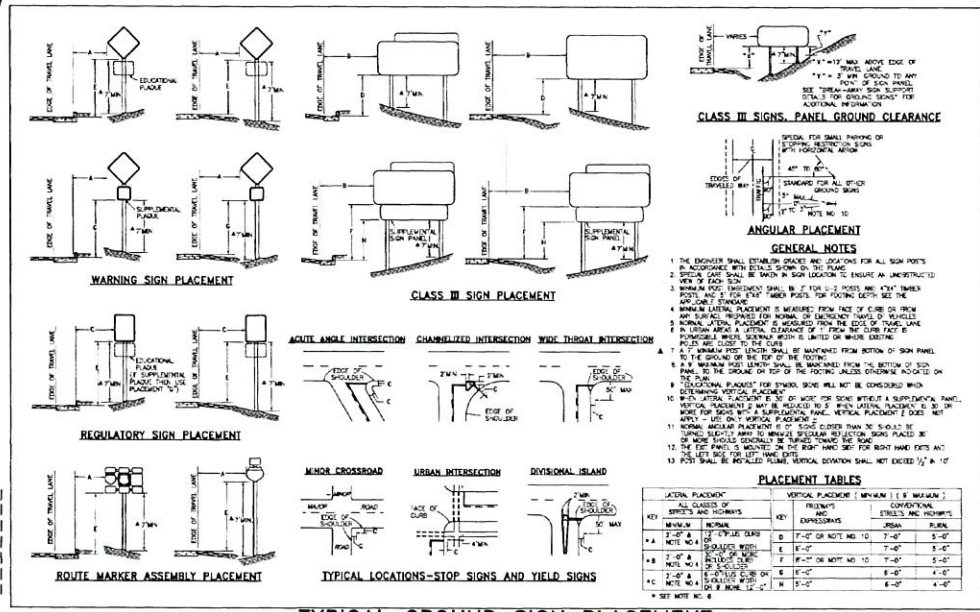


ABBREVIATIONS:

EPC	EL PASO COUNTY
PVC	POLYVINYL CHLORIDE PIPE
R.O.W.	RIGHT-OF-WAY
HMA	HOT MIX ASPHALT
ABC	AGGREGATE BASE COURSE
CONC.	CONCRETE
STA.	STATION
C&G	CURB & GUTTER
MFL	MINIMUM FLOWING
FL	FLOWLINE
TYP.	TYPICAL
I.F.O.B.	INSIDE FACE OF BOX

NOTE:
ALL INTERNAL SIGNS SHALL BE 4" FONT LETTER SIZE.



48 HOURS BEFORE YOU DIG, CALL UTILITY LOCATORS 811

UTILITY NOTIFICATION CENTER OF COLORADO IT'S THE LAW

THE LOCATIONS OF EXISTING UNDERGROUND UTILITIES ARE SHOWN IN AN APPROXIMATE MANNER ONLY. THE CONTRACTOR SHALL DETERMINE THE EXACT LOCATION OF ALL EXISTING UTILITIES BEFORE COMMENCING WORK. THE CONTRACTOR SHALL BE FULLY RESPONSIBLE FOR ANY AND ALL DAMAGES WHICH MIGHT BE CAUSED BY HIS FAILURE TO EXACTLY LOCATE AND PRESERVE ANY AND ALL UNDERGROUND UTILITIES.

NO.	REVISION	DATE	REVIEW:

PREPARED UNDER MY DIRECT SUPERVISION FOR AND ON BEHALF OF CLASSIC CONSULTING ENGINEERS AND SURVEYORS, LLC

Kyle R. Campbell
KYLE R. CAMPBELL, COLORADO P.E. #29794

DATE: 08/04/2020

CLASSIC CONSULTING

619 N. Cascade Avenue, Suite 200
Colorado Springs, Colorado 80903

(719) 785-0790
(719) 785-0799 (fax)

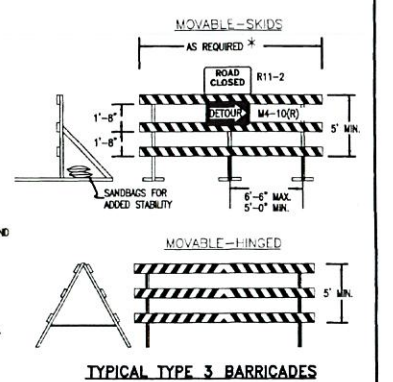
PCD FILE # SF-20-027

FOREST LAKES FILING NO. 6
PUBLIC STREET IMPROVEMENT PLAN
KEY MAP WITH TYPICAL STREET SECTIONS

DESIGNED BY	MAL	SCALE	DATE	08/04/2020
DRAWN BY	MES	(H) 1" = 100'	SHEET	9 OF 30
CHECKED BY	(V) 1" = N/A	JOB NO.	1175.60	

RAIL LENGTH TABLE *

TYPE	FIXED	MOVABLE	LENGTH
F - A	M - A	8' - 14'	
F - B	M - B	15' - 24'	
F - C	M - C	25' - 35'	
F - D	M - D	> 35'	



- NOTES**
- TYPE 3 BARRICADES HAVE 3 REFLECTORIZED RAIL FACES IF FACING TRAFFIC IN ONE DIRECTION AND 6 IF FACING TRAFFIC IN TWO DIRECTIONS.
 - THE PORTION OF THE POST ABOVE THE GROUND LINE SHALL BE PAINTED IN ACCORDANCE WITH THE APPROPRIATE GENERAL NOTE.
 - DETACHABLE EXTENSION WING RAILS FOR BYPASSING OF CONSTRUCTION EQUIPMENT ARE PERMITTED, WHEN NECESSARY, ON FIXED OR MOVABLE TYPE 3 BARRICADES. THE LENGTH SHALL BE ACCURATE TO CLOSE THE BORROW PIT AND/OR SHOULDER AS REQUIRED.

EPC 5/11/2-21