

INDEX OF SHEETS		SHEET No.
TS01	TITLE SHEET	1
GN01	GENERAL NOTES	2
GEN01	LEGEND & ABBREVIATION NOTES	3
GEC01-GEC03	GRADING & EROSION CONTROL PLAN	4-6
ECN01-ECN02	EROSION CONTROL DETAILS	7-9

# TRAILS AT ASPEN RIDGE FILING NO. 2

COLORADO SPRINGS, COLORADO


## FINAL GRADING & EROSION CONTROL PLANS

APRIL 2021

THIS FINAL GRADING PLAN IS AN ACCURATE REPRESENTATION OF THE GENERAL DRAINAGE PATTERNS ON THE SITE, BUT IS NOT A COMPREHENSIVE DETAILED GRADING PLAN THAT ADDRESSES ALL CONDITIONS THAT MAY OCCUR. THE GRADING OF EACH LOT SHOULD BE CHECKED BY THE HOMEBUILDER TO ENSURE THAT DRAINAGE WILL NOT BE COMPROMISED ON THE LOT OR THE ADJACENT LOTS. CONTRACTOR TO CONTACT DESIGN ENGINEER IF FIELD CONDITIONS DIFFER FROM WHAT IS SHOWN WITHIN THESE PLANS.


OWNER'S STATEMENT:

THE OWNER WILL COMPLY WITH THE REQUIREMENTS OF THE GRADING AND EROSION CONTROL PLAN.

  
 TIM BUSCHAR 4/13/21  
 DIRECTOR OF LAND ACQUISITION AND DEVELOPMENT DATE

ENGINEER'S STATEMENT:

THIS GRADING AND EROSION CONTROL PLAN WAS PREPARED UNDER MY DIRECTION AND SUPERVISION AND IS CORRECT TO THE BEST OF MY KNOWLEDGE AND BELIEF. SAID PLAN HAS BEEN PREPARED ACCORDING TO THE CRITERIA ESTABLISHED BY THE COUNTY FOR GRADING AND EROSION CONTROL PLANS. I ACCEPT RESPONSIBILITY FOR ANY LIABILITY CAUSED BY ANY NEGLIGENT ACTS, ERRORS OR OMISSIONS ON MY PART IN PREPARING THIS REPORT.

  
 NICOLE SCHANEL, PE #52434 10 APRIL 2021  
 DATE

EL PASO COUNTY:

COUNTY PLAN REVIEW IS PROVIDED ONLY FOR GENERAL CONFORMANCE WITH COUNTY DESIGN CRITERIA. THE COUNTY IS NOT RESPONSIBLE FOR THE ACCURACY AND ADEQUACY OF THE DESIGN, DIMENSIONS, AND/OR ELEVATIONS WHICH SHALL BE CONFIRMED AT THE JOB SITE. THE COUNTY THROUGH THE APPROVAL OF THIS DOCUMENT ASSUMES NO RESPONSIBILITY FOR COMPLETENESS AND/OR ACCURACY OF THIS DOCUMENT.

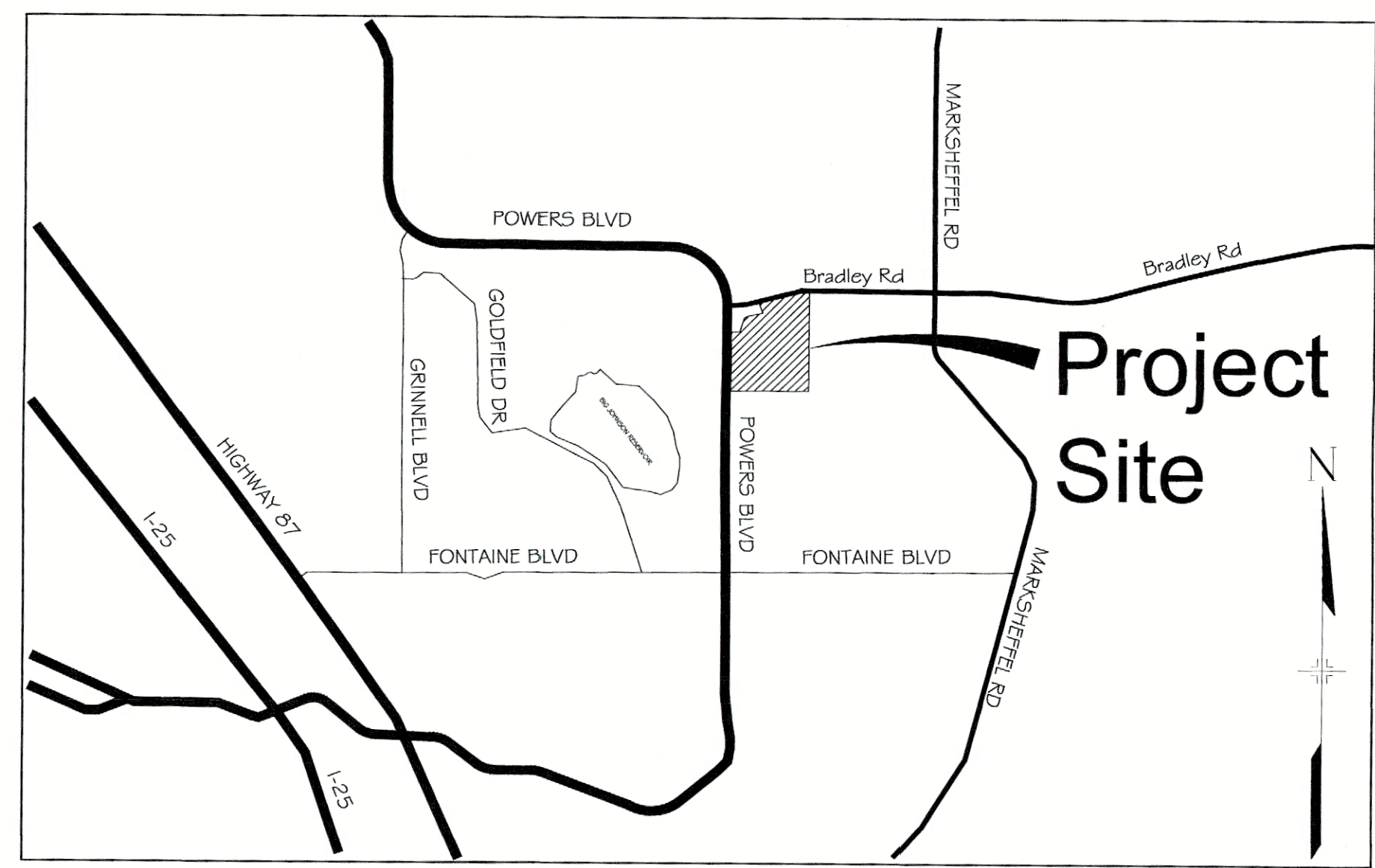
FILED IN ACCORDANCE WITH THE REQUIREMENTS OF THE EL PASO COUNTY LAND DEVELOPMENT CODE, DRAINAGE CRITERIA MANUAL, VOLUMES 1 AND 2, AND ENGINEERING CRITERIA MANUAL AS AMENDED.

IN ACCORDANCE WITH ECM SECTION 1.12, THESE CONSTRUCTION DOCUMENTS WILL BE VALID FOR CONSTRUCTION FOR A PERIOD OF 2 YEARS FROM THE DATE SIGNED BY THE EL PASO COUNTY ENGINEER. IF CONSTRUCTION HAS NOT STARTED WITHIN THOSE 2 YEARS, THE PLANS WILL NEED TO BE RESUBMITTED FOR APPROVAL, INCLUDING PAYMENT OF REVIEW FEES AT THE PLANNING AND COMMUNITY DEVELOPMENT DIRECTORS DISCRETION.

**APPROVED**  
**Engineering Department**

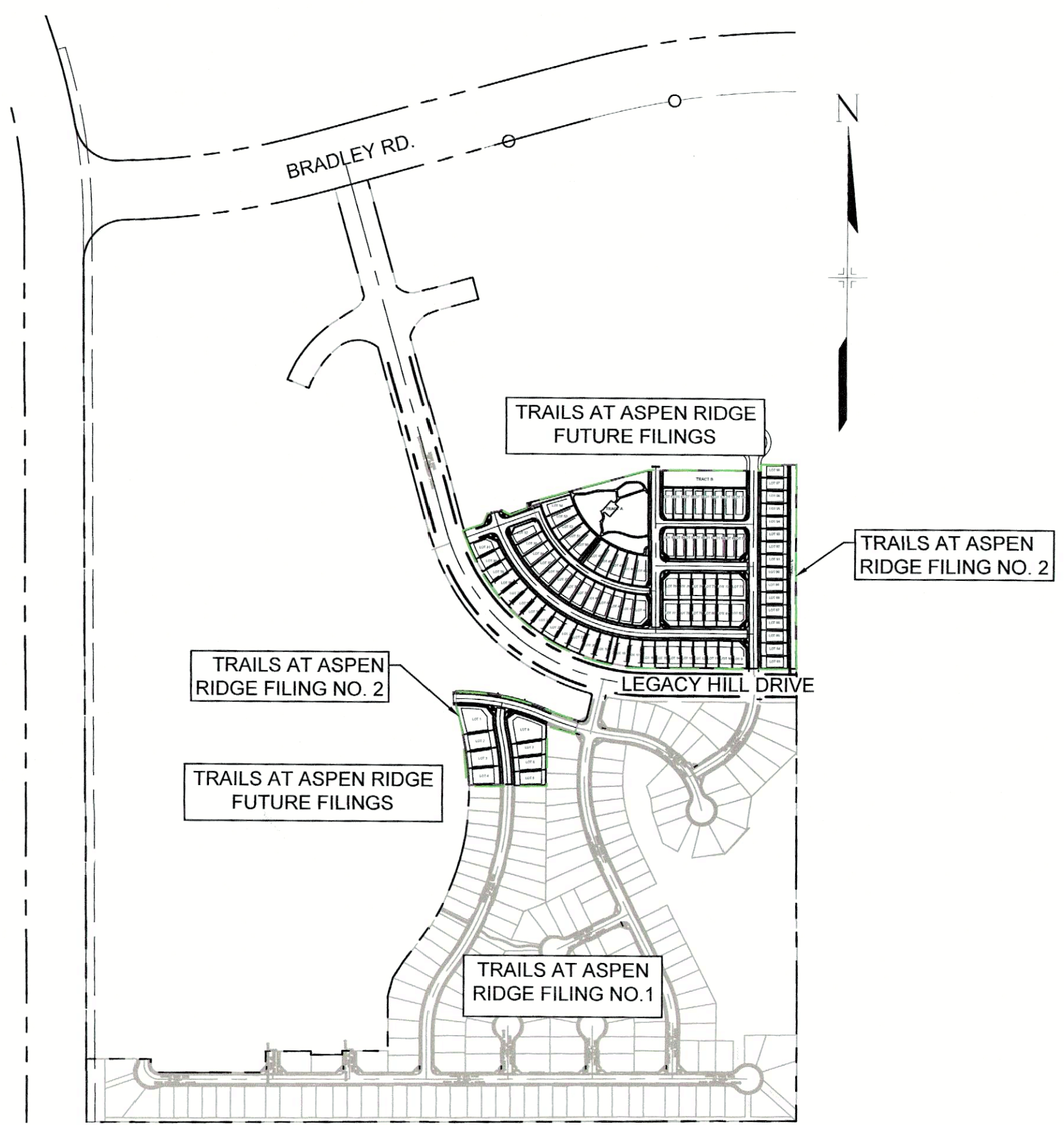
JENNIFER IRVINE, P.E.  
 COUNTY ENGINEER / ECM ADMINISTRATOR

07/22/2021 12:06:24 PM  
  
 dsdnijkamp  
 EPC Planning & Community  
 Development Department



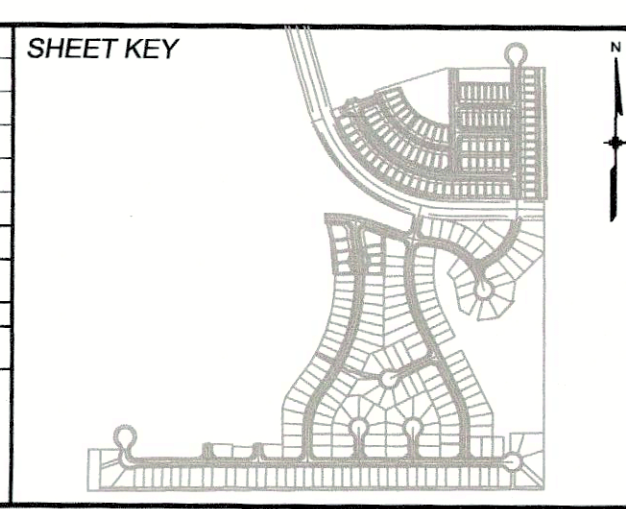
VICINITY MAP  
 N.T.S.

OWNER/DEVELOPER	COLA, LLC 555 MIDDLE CREEK PARKWAY, SUITE 380 COLORADO SPRINGS, CO 80921 (719) 382-9433
CIVIL ENGINEER	MATRIX DESIGN GROUP 2435 RESEARCH PARKWAY, SUITE 300 COLORADO SPRINGS, CO 80920 NICOLE SCHANEL, (719) 659 6141
WATER & SANITARY SEWER	WIDEFIELD WATER AND SANITATION DISTRICT 8495 FONTAINE BOULEVARD COLORADO SPRINGS, CO 80925 ROBERT BANNISTER, (719) 390-7111
ELECTRIC	MOUNTAINVIEW ELECTRIC ASSOCIATION (719) 495-2283
GAS	COLORADO SPRINGS UTILITIES 1521 HANCOCK EXPRESSWAY COLORADO SPRINGS, CO MARY HOAGLUND (719) 668-4083
STREET	EL PASO COUNTY PUBLIC SERVICES DEPARTMENT (719) 520-6460
DRAINAGE	EL PASO COUNTY PUBLIC SERVICES DEPARTMENT (719) 520-6460
FIRE DEPARTMENT	SECURITY FIRE DEPARTMENT 400 SECURITY BOULEVARD SECURITY, CO 80911 (719) 392-7121



SITE MAP  
 N.T.S.

REFERENCE DRAWINGS	DESCRIPTION	BY
GEC Titleblock		
X-886-PR SITE-F2		
10415-Ex-Base		
X-886-PR SITE_F1		
No.	DATE	
COMPUTER FILE MANAGEMENT		
FILE NAME: s:\119.886.014 (trails at aspen ridge - f2)\100 Dwg\104 plan sets\construction plans\GEC Plan\TS01.dwg		
CTB FILE:		
PLOT DATE: April 13, 2021 2:00:53 PM		
THIS DRAWING IS CURRENT AS OF PLOT DATE AND MAY BE SUBJECT TO CHANGE.		



**BENCHMARK**  
 COLORADO SPRINGS UTILITIES (FIMS) MONUMENT F206  
 A BERTINSEN TOP SECURITY MONUMENT SYSTEM WITH A 3.5-INCH DIAMETER ALUMINUM CAP IN A ROAD BOX, LOCATED ON THE NORTHWEST CORNER OF FONTAINE BOULEVARD AND POWERS BOULEVARD.  
 ELEVATION - 5897.89' U.S. SURVEY FT

**BASIS OF BEARING**  
 BEARINGS ARE BASED ON THE NORTH LINE OF THE NORTHWEST QUARTER OF SECTION 9, TOWNSHIP 15 SOUTH, RANGE 85 WEST OF THE 6TH P.M. SAID LINE BEARS S89°51'23"E FROM THE NORTHWEST CORNER OF SAID SECTION 9 (2 1/2' AULM. CAP PLS 17664) TO THE N 1/4 CORNER OF SAID SECTION 9 (3 1/2' AULM. CAP PLS 10377)

PREPARED BY:  


SEAL  


TRAILS AT ASPEN RIDGE			
FILING NO. 2			
FINAL GRADING & EROSION CONTROL PLANS			
TITLE SHEET			
DESIGNED BY:	NMS	SCALE:	DATE ISSUED: APRIL 2021
DRAWN BY:	CRD	HORIZ:	N/A
CHECKED BY:	NMS	VERT:	N/A
			DRAWING No. TS01
			1 OF 9





Know what's below.  
Call before you dig.

**GENERAL CONSTRUCTION NOTES:**

- STORMWATER DISCHARGES FROM CONSTRUCTION SITES SHALL NOT CAUSE OR THREATEN TO CAUSE POLLUTION, CONTAMINATION, OR DEGRADATION OF STATE WATERS. ALL WORK AND EARTH DISTURBANCE SHALL BE DONE IN A MANNER THAT MINIMIZES POLLUTION OF ANY ON-SITE OR OFF-SITE WATERS, INCLUDING WETLANDS.
- NOTWITHSTANDING ANYTHING DEPICTED IN THESE PLANS IN WORDS OR GRAPHIC REPRESENTATION, ALL DESIGN AND CONSTRUCTION RELATED TO ROADS, STORM DRAINAGE AND EROSION CONTROL SHALL CONFORM TO THE STANDARDS AND REQUIREMENTS OF THE MOST RECENT VERSION OF THE RELEVANT ADOPTED EL PASO COUNTY STANDARDS, INCLUDING THE LAND DEVELOPMENT CODE, THE ENGINEERING CRITERIA MANUAL, THE DRAINAGE CRITERIA MANUAL, AND THE DRAINAGE CRITERIA MANUAL VOLUME 2. ANY DEVIATIONS FROM REGULATIONS AND STANDARDS MUST BE REQUESTED, AND APPROVED, IN WRITING.
- A SEPARATE STORMWATER MANAGEMENT PLAN (SMWP) FOR THIS PROJECT SHALL BE COMPLETED AND AN EROSION AND STORMWATER QUALITY CONTROL PERMIT (ESQCP) ISSUED PRIOR TO COMMENCING CONSTRUCTION. MANAGEMENT OF THE SWMP DURING CONSTRUCTION IS THE RESPONSIBILITY OF THE DESIGNATED QUALIFIED STORMWATER MANAGER OR CERTIFIED EROSION CONTROL INSPECTOR. THE SWMP SHALL BE LOCATED ON SITE AT ALL TIMES DURING CONSTRUCTION AND SHALL BE KEPT UP TO DATE WITH WORK PROGRESS AND CHANGES IN THE FIELD.
- ONCE THE ESQCP IS APPROVED AND A "NOTICE TO PROCEED" HAS BEEN ISSUED, THE CONTRACTOR MAY INSTALL THE INITIAL STAGE EROSION AND SEDIMENT CONTROL MEASURES AS INDICATED ON THE APPROVED GEC. A PRECONSTRUCTION MEETING BETWEEN THE CONTRACTOR, ENGINEER, AND EL PASO COUNTY WILL BE HELD PRIOR TO ANY CONSTRUCTION. IT IS THE RESPONSIBILITY OF THE APPLICANT TO COORDINATE THE MEETING TIME AND PLACE WITH COUNTY STAFF.
- CONTROL MEASURES MUST BE INSTALLED PRIOR TO COMMENCEMENT OF ACTIVITIES THAT COULD CONTRIBUTE POLLUTANTS TO STORMWATER. CONTROL MEASURES FOR ALL SLOPES, CHANNELS, DITCHES, AND DISTURBED LAND AREAS SHALL BE INSTALLED IMMEDIATELY UPON COMPLETION OF THE DISTURBANCE.
- ALL TEMPORARY SEDIMENT AND EROSION CONTROL MEASURES SHALL BE MAINTAINED AND REMAIN IN EFFECTIVE OPERATING CONDITION UNTIL PERMANENT SOIL EROSION CONTROL MEASURES ARE IMPLEMENTED AND FINAL STABILIZATION IS ESTABLISHED. ALL PERSONS ENGAGED IN LAND DISTURBANCE ACTIVITIES SHALL ASSESS THE ADEQUACY OF CONTROL MEASURES AT THE SITE AND IDENTIFY IF CHANGES TO THOSE CONTROL MEASURES ARE NEEDED TO ENSURE THE CONTINUED EFFECTIVE PERFORMANCE OF THE CONTROL MEASURES. ALL CHANGES TO TEMPORARY SEDIMENT AND EROSION CONTROL MEASURES MUST BE INCORPORATED INTO THE STORMWATER MANAGEMENT PLAN.
- TEMPORARY STABILIZATION SHALL BE IMPLEMENTED ON DISTURBED AREAS AND STOCKPILES WHERE GROUND DISTURBING CONSTRUCTION ACTIVITY HAS PERMANENTLY CEASED OR TEMPORARILY CEASED FOR LONGER THAN 14 DAYS.
- FINAL STABILIZATION MUST BE IMPLEMENTED AT ALL APPLICABLE CONSTRUCTION SITES. FINAL STABILIZATION IS ACHIEVED WHEN ALL GROUND DISTURBING ACTIVITIES ARE COMPLETE AND ALL DISTURBED AREAS EITHER HAVE A UNIFORM VEGETATIVE COVER WITH INDIVIDUAL PLANT DENSITY OF 70 PERCENT OF PRE-DISTURBANCE LEVELS ESTABLISHED OR EQUIVALENT PERMANENT ALTERNATIVE STABILIZATION METHOD IS IMPLEMENTED. ALL TEMPORARY SEDIMENT AND EROSION CONTROL MEASURES SHALL BE REMOVED UPON FINAL STABILIZATION AND BEFORE PERMIT CLOSURE.
- ALL PERMANENT STORMWATER MANAGEMENT FACILITIES SHALL BE INSTALLED AS DESIGNED IN THE APPROVED PLANS. ANY PROPOSED CHANGES THAT EFFECT THE DESIGN OR FUNCTION OF PERMANENT STORMWATER MANAGEMENT STRUCTURES MUST BE APPROVED BY THE ECM ADMINISTRATOR PRIOR TO IMPLEMENTATION.
- EARTH DISTURBANCES SHALL BE CONDUCTED IN SUCH A MANNER SO AS TO EFFECTIVELY MINIMIZE ACCELERATED SOIL EROSION AND RESULTING SEDIMENTATION. ALL DISTURBANCES SHALL BE DESIGNED, CONSTRUCTED, AND COMPLETED SO THAT THE EXPOSED AREA OF ANY DISTURBED LAND SHALL BE LIMITED TO THE SHORTEST PRACTICAL PERIOD OF TIME. PRE-EXISTING VEGETATION SHALL BE PROTECTED AND MAINTAINED WITHIN 50 HORIZONTAL FEET OF A WATERS OF THE STATE UNLESS SHOWN TO BE INFEASIBLE AND SPECIFICALLY REQUESTED AND APPROVED.

- COMPACTION OF SOIL MUST BE PREVENTED IN AREAS DESIGNATED FOR INFILTRATION CONTROL MEASURES OR WHERE FINAL STABILIZATION WILL BE ACHIEVED BY VEGETATIVE COVER. AREAS DESIGNATED FOR INFILTRATION CONTROL MEASURES SHALL ALSO BE PROTECTED FROM SEDIMENTATION DURING CONSTRUCTION UNTIL FINAL STABILIZATION IS ACHIEVED. IF COMPACTION PREVENTION IS NOT FEASIBLE DUE TO SITE CONSTRAINTS, ALL AREAS DESIGNATED FOR INFILTRATION AND VEGETATION CONTROL MEASURES MUST BE LOOSENEED PRIOR TO INSTALLATION OF THE CONTROL MEASURE(S).
- ANY TEMPORARY OR PERMANENT FACILITY DESIGNED AND CONSTRUCTED FOR THE CONVEYANCE OF STORMWATER AROUND, THROUGH, OR FROM THE EARTH DISTURBANCE AREA SHALL BE A STABILIZED CONVEYANCE DESIGNED TO MINIMIZE EROSION AND THE DISCHARGE OF SEDIMENT OFF SITE.
- CONCRETE WASH WATER SHALL BE CONTAINED AND DISPOSED OF IN ACCORDANCE WITH THE SWMP. NO WASH WATER SHALL BE DISCHARGED TO OR ALLOWED TO ENTER STATE WATERS, INCLUDING ANY SURFACE OR SUBSURFACE STORM DRAINAGE SYSTEM OR FACILITIES. CONCRETE WASHOUTS SHALL NOT BE LOCATED IN AN AREA WHERE SHALLOW GROUNDWATER MAY BE PRESENT, OR WITHIN 50 FEET OF A SURFACE WATER BODY, CREEK OR STREAM.
- DURING DEWATERING OPERATIONS OF UNCONTAMINATED GROUND WATER MAY BE DISCHARGED ON SITE, BUT SHALL NOT LEAVE THE SITE IN THE FORM OF SURFACE RUNOFF UNLESS AN APPROVED STATE DEWATERING PERMIT IS IN PLACE.
- EROSION CONTROL BLANKETING OR OTHER PROTECTIVE COVERING SHALL BE USED ON SLOPES STEEPER THAN 3:1.
- CONTRACTOR SHALL BE RESPONSIBLE FOR THE REMOVAL OF ALL WASTES FROM THE CONSTRUCTION SITE FOR DISPOSAL IN ACCORDANCE WITH LOCAL AND STATE REGULATORY REQUIREMENTS. NO CONSTRUCTION DEBRIS, TREE SLASH, BUILDING MATERIAL WASTES OR UNUSED BUILDING MATERIALS SHALL BE BURIED, DUMPED, OR DISCHARGED AT THE SITE.
- WASTE MATERIALS SHALL NOT BE TEMPORARILY PLACED OR STORED IN THE STREET, ALLEY, OR OTHER PUBLIC WAY, UNLESS IN ACCORDANCE WITH AN APPROVED TRAFFIC CONTROL PLAN. CONTROL MEASURES MAY BE REQUIRED BY EL PASO COUNTY ENGINEERING IF DEEMED NECESSARY, BASED ON SPECIFIC CONDITIONS AND CIRCUMSTANCES.
- TRACKING OF SOILS AND CONSTRUCTION DEBRIS OFF-SITE SHALL BE MINIMIZED. MATERIALS TRACKED OFF-SITE SHALL BE CLEANED UP AND PROPERLY DISPOSED OF IMMEDIATELY.
- THE OWNER/DEVELOPER SHALL BE RESPONSIBLE FOR THE REMOVAL OF ALL CONSTRUCTION DEBRIS, DIRT, TRASH, ROCK, SEDIMENT, SOIL, AND SAND THAT MAY ACCUMULATE IN ROADS, STORM DRAINS AND OTHER DRAINAGE CONVEYANCE SYSTEMS AND STORMWATER APPURTENANCES AS A RESULT OF SITE DEVELOPMENT.
- THE QUANTITY OF MATERIALS STORED ON THE PROJECT SITE SHALL BE LIMITED, AS MUCH AS PRACTICAL, TO THAT QUANTITY REQUIRED TO PERFORM THE WORK IN AN ORDERLY SEQUENCE. ALL MATERIALS STORED ON-SITE SHALL BE STORED IN A NEAT, ORDERLY MANNER, IN THEIR ORIGINAL CONTAINERS, WITH ORIGINAL MANUFACTURER'S LABELS.
- NO CHEMICAL(S) HAVING THE POTENTIAL TO BE RELEASED IN STORMWATER ARE TO BE STORED OR USED ONSITE UNLESS PERMISSION FOR THE USE OF SUCH CHEMICAL(S) IS GRANTED IN WRITING BY THE ECM ADMINISTRATOR. IN GRANTING APPROVAL FOR THE USE OF SUCH CHEMICAL(S), SPECIAL CONDITIONS AND MONITORING MAY BE REQUIRED.
- BULK STORAGE OF ALLOWED PETROLEUM PRODUCTS OR OTHER ALLOWED LIQUID CHEMICALS IN EXCESS OF 55 GALLONS SHALL REQUIRE ADEQUATE SECONDARY CONTAINMENT PROTECTION TO CONTAIN ALL SPILLS ONSITE AND TO PREVENT ANY SPILLED MATERIALS FROM ENTERING STATE WATERS, ANY SURFACE OR SUBSURFACE STORM DRAINAGE SYSTEM OR OTHER FACILITIES.
- NO PERSON SHALL CAUSE THE IMPEDIMENT OF STORMWATER FLOW IN THE CURB AND GUTTER OR DITCH EXCEPT WITH APPROVED SEDIMENT CONTROL MEASURES.
- OWNER/DEVELOPER AND THEIR AGENTS SHALL COMPLY WITH THE "COLORADO WATER QUALITY CONTROL ACT" (TITLE 25, ARTICLE 8, CRS), AND THE "CLEAN WATER ACT" (33 USC 1344), IN ADDITION TO THE REQUIREMENTS OF THE LAND DEVELOPMENT CODE, DCM VOLUME II AND THE ECM APPENDIX I. ALL APPROPRIATE PERMITS MUST BE OBTAINED BY THE CONTRACTOR PRIOR TO CONSTRUCTION (1041, NPDES, FLOODPLAIN, 404, FUGITIVE DUST, ETC.). IN THE EVENT OF

- CONFLICTS BETWEEN THESE REQUIREMENTS AND OTHER LAWS, RULES, OR REGULATIONS OF OTHER FEDERAL, STATE, LOCAL, OR COUNTY AGENCIES, THE MOST RESTRICTIVE LAWS, RULES, OR REGULATIONS SHALL APPLY.
- ALL CONSTRUCTION TRAFFIC MUST ENTER/EXIT THE SITE ONLY AT APPROVED CONSTRUCTION ACCESS POINTS.
  - PRIOR TO CONSTRUCTION THE PERMITTEE SHALL VERIFY THE LOCATION OF EXISTING UTILITIES.
  - A WATER SOURCE SHALL BE AVAILABLE ON SITE DURING EARTHWORK OPERATIONS AND SHALL BE UTILIZED AS REQUIRED TO MINIMIZE DUST FROM EARTHWORK EQUIPMENT AND WIND.
  - THE SOILS REPORT FOR THIS SITE HAS BEEN PREPARED BY ENTECH ENGINEERING, INC., DATED AUGUST 9, 2019 AND SHALL BE CONSIDERED A PART OF THESE PLANS.
  - AT LEAST TEN (10) DAYS PRIOR TO THE ANTICIPATED START OF CONSTRUCTION, FOR PROJECTS THAT WILL DISTURB ONE (1) ACRE OR MORE, THE OWNER OR OPERATOR OF CONSTRUCTION ACTIVITY SHALL SUBMIT A PERMIT APPLICATION FOR STORMWATER DISCHARGE TO THE COLORADO DEPARTMENT OF PUBLIC HEALTH AND ENVIRONMENT, WATER QUALITY DIVISION. THE APPLICATION CONTAINS CERTIFICATION OF COMPLETION OF A STORMWATER MANAGEMENT PLAN (SWMP), OF WHICH THIS GRADING AND EROSION CONTROL PLAN MAY BE A PART. FOR INFORMATION OR APPLICATION MATERIALS CONTACT:

COLORADO DEPARTMENT OF PUBLIC HEALTH AND ENVIRONMENT  
WATER QUALITY CONTROL DIVISION  
WQCD - PERMITS  
4300 CHERRY CREEK DRIVE SOUTH  
DENVER, CO 80246-1530  
ATTN: PERMITS UNIT

**NRCS SOIL SURVEY FOR EL PASO COUNTY**

SOIL ID NO.	SOIL TYPE	HYDROLOGIC CLASSIFICATION
52	MANZANST CLAY LOAM (0%-3% SLOPES)	C
56	NELSON-TASSEL FINE SANDY LOAM (3%-18% SLOPES)	B
108	WILEY SILT LOAM (3%-9% SLOPES)	B

**TIMING**

ANTICIPATED STARTING AND COMPLETION TIME PERIOD OF SITE GRADING:  
MARCH 2021 THRU JULY 2021

EXPECTED DATE ON WHICH THE FINAL STABILIZATION WILL BE COMPLETED:  
JULY 2022

**AREAS**

TOTAL AREA: 17.61 ACRES

**RECEIVING WATERS**

NAME OF RECEIVING WATERS  
FOUNTAIN CREEK (ULTIMATE)

**ENGINEER'S NOTES:**

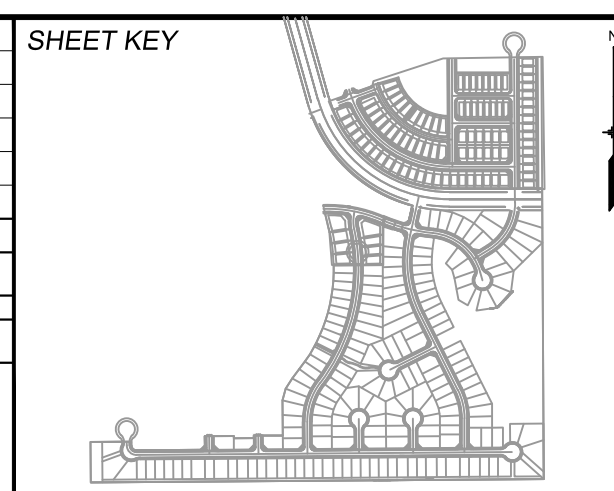
THE EXISTING VEGETATION CONSISTS OF NATIVE GRASSES AND SCRUB OAK. BASED ON SITE VISITS AND A REVIEW OF AERIAL PHOTOGRAPHY, THE VEGETATIVE COVER AT ASPEN RIDGE FILING NO. 2 IS APPROXIMATELY 100%.

**NPDES NOTES:**

- THE CONTRACTOR SHALL REMOVE ALL SEDIMENT, MUD, AND CONSTRUCTION DEBRIS THAT MAY ACCUMULATE IN THE FLOWLINES AND PUBLIC RIGHTS OF WAYS AS A RESULT OF THIS CONSTRUCTION PROJECT. SAID REMOVAL SHALL BE CONDUCTED IN A TIMELY MANNER, OR AS DIRECTED BY THE ENGINEER.
- THIS CONSTRUCTION ACTIVITIES STORMWATER MANAGEMENT PLAN (SWMP) HAS BEEN SUBMITTED AS PART OF AN APPLICATION FOR AN EROSION AND SEDIMENT CONTROL PERMIT FILED WITH THE CITY OF COLORADO SPRINGS AND AS INCLUSION BY REFERENCE TO THE CDPHE CONSTRUCTION ACTIVITY PERMIT. THE SWMP IS A LIVING DOCUMENT AND ADDITIONAL EROSION AND SEDIMENT CONTROL MEASURES MAY BE REQUIRED OF THE CONTRACTOR DUE TO UNFORESEEN EROSION PROBLEMS OR IF THE SUBMITTED PLAN DOES NOT FUNCTION AS INTENDED. THE REQUIREMENTS OF THIS PLAN SHALL BE THE OBLIGATION OF THE LAND OWNER AND/OR HIS SUCCESSORS OR HEIRS; UNTIL SUCH TIME AS THE PLAN IS PROPERLY COMPLETED, MODIFIED, OR VOIDED.
- THE CONTRACTOR SHALL BE HELD RESPONSIBLE FOR REMEDIATION OF ANY ADVERSE IMPACTS TO ADJACENT WATERWAYS, WETLANDS, ETC., RESULTING FROM WORK DONE AS PART OF THIS PROJECT.
- THE CONTRACTOR SHALL PREVENT SEDIMENT, DEBRIS AND ALL OTHER POLLUTANTS FROM ENTERING THE STORM SEWER SYSTEM DURING ALL DEMOLITION, EXCAVATION, TRENCHING, BORING, GRADING OR OTHER CONSTRUCTION OPERATIONS THAT ARE PART OF THIS PROJECT.
- A LAYER OF SUITABLE MULCH SHALL BE APPLIED TO ALL DISTURBED PORTIONS OF THE SITE WITHIN 21 DAYS OF THE COMPLETION OF GRADING. SAID MULCH SHALL BE APPLIED AT A RATE OF 2 TONS PER ACRE AND SHALL BE TACKED OR FASTENED BY AN APPROVED METHOD SUITABLE FOR THE TYPE OF MULCH USED. ROUGH-CUT STREETS SHALL BE MULCHED UNLESS A LAYER OF AGGREGATE ROAD BASE OR ASPHALT PAVING IS TO BE APPLIED TO SAID ROUGH-CUT STREETS WITHIN THE 21 DAY PERIOD AFTER COMPLETION OF OVERLOT GRADING. AN AREA THAT IS GOING TO REMAIN IN AN INTERIM STATE FOR MORE THEN SIXTY (60) DAYS SHALL ALSO BE SEEDED. ALL TEMPORARY SOIL EROSION CONTROL MEASURES AND BMP'S SHALL BE MAINTAINED UNTIL PERMANENT SOIL EROSION CONTROL MEASURES ARE IMPLEMENTED.
- THE CONTRACTOR SHALL LOCATE, INSTALL, AND MAINTAIN ALL EROSION CONTROL AND WATER QUALITY "BEST MANAGEMENT PRACTICES" AS INDICATED IN THE APPROVED CONSTRUCTION ACTIVITIES STORMWATER MANAGEMENT PLAN. BMP'S SHALL BE MAINTAINED AND KEPT IN GOOD REPAIR FOR THE DURATION OF THIS PROJECT.
- AT A MINIMUM, THE CONTRACTOR SHALL INSPECT, AND KEEP A LOG OF, ALL BMP'S WEEKLY AND AFTER SIGNIFICANT PRECIPITATION EVENTS. ALL NECESSARY MAINTENANCE AND REPAIR SHALL BE COMPLETED IN A TIMELY MANNER. ACCUMULATED SEDIMENT AND DEBRIS SHALL BE REMOVED FROM A BMP WHEN THE SEDIMENT LEVEL REACHES ONE-HALF THE HEIGHT OF THE BMP, OR, AT ANY TIME THAT SEDIMENT OR DEBRIS ADVERSELY IMPACTS THE FUNCTIONING OF THE BMP.
- THE CONTRACTOR SHALL PROPERLY COVER ALL LOADS OF CUT AND FILL MATERIAL IMPORTED TO OR EXPORTED FROM THIS SITE TO PREVENT LOSS OF THE MATERIAL DURING TRANSPORT WITHIN PUBLIC RIGHTS OF WAY.
- THE USE OF REBAR, STEEL STAKES, OR STEEL FENCE POSTS TO STAKE DOWN STRAW OR HAY BALES; OR TO SUPPORT SILT FENCING USED AS AN EROSION CONTROL MEASURE; IS PROHIBITED. THE USE OF OSHA APPROVED COLORED WARNING CAPS ON REBAR OR FENCE POSTS USED WITH EROSION CONTROL MEASURES IS NOT ACCEPTABLE.
- SOILS THAT WILL BE STOCKPILED FOR MORE THAN 30 DAYS SHALL BE MULCHED AND SEEDED WITH A TEMPORARY OR PERMANENT GRASS COVER WITHIN 21 DAYS OF STOCKPILE CONSTRUCTION. IF STOCKPILES ARE LOCATED WITHIN 100 FEET OF A DRAINAGEWAY, ADDITIONAL SEDIMENT CONTROLS SUCH AS TEMPORARY DIKES OR SILT FENCE SHALL BE REQUIRED.
- MODIFICATION OF AN ACTIVE EROSION AND SEDIMENT CONTROL PERMIT BY THE CONTRACTOR SHALL REQUIRE TIMELY NOTIFICATION OF AND APPROVAL BY THE CITY OF COLORADO SPRINGS. TERMINATION OF AN ACTIVE EROSION AND SEDIMENT CONTROL PERMIT UPON COMPLETION OF THE PROJECT REQUIRES NOTIFICATION OF AND APPROVAL BY THE CITY OF COLORADO SPRINGS.
- UNLESS CONFINED IN A PREDEFINED, BERMED CONTAINMENT AREA, THE CLEANING OF CONCRETE TRUCK DELIVERY CHUTES IS PROHIBITED AT THE JOB SITE. THE DISCHARGE OF WATER CONTAINING WASTE CEMENT TO THE STORM SEWER SYSTEM IS PROHIBITED.
- THE CONTRACTOR SHALL PROTECT ALL STORM SEWER FACILITIES ADJACENT TO ANY LOCATION WHERE PAVEMENT CUTTING OPERATIONS INVOLVING WHEEL CUTTING, SAW CUTTING OR ABRASIVE WATER JET CUTTING ARE TO TAKE PLACE. THE DISCHARGE OF ANY WATER CONTAMINATED BY WASTE PRODUCTS FROM CUTTING OPERATIONS TO THE STORM SEWER SYSTEM IS PROHIBITED. THE CONTRACTOR SHALL REMOVE AND PROPERLY DISPOSE OF ALL WASTE PRODUCTS GENERATED BY SAID CUTTING OPERATIONS ON A DAILY BASIS.
- LOCATION OF STAGING, STORAGE, EQUIPMENT MAINTENANCE, TEMPORARY DISPOSAL, VEHICLE TRACKING CONTROL AND CONCRETE TRUCK WASHOUT AREAS WILL BE DETERMINED IN THE FIELD AT THE START OF CONSTRUCTION ACTIVITY AND DELINEATED ON THIS PLAN.

EPC 7/22/2021

REFERENCE DRAWINGS	###	###	###	###	SHEET KEY
GEC Titleblock	###	###	###	###	
	###	###	###	###	
	###	###	###	###	
	###	###	###	###	
	###	###	###	###	
No.	DATE	DESCRIPTION		BY	
REVISIONS					
<b>COMPUTER FILE MANAGEMENT</b>					
FILE NAME: S:\19.886.014 (Trails at Aspen Ridge - F2)\100 Dwg\104 Plan Sets\Construction Plans\GEC Plan\GN01.dwg					
CTB FILE: ---					
PLOT DATE: April 20, 2021 10:32:06 AM					
THIS DRAWING IS CURRENT AS OF PLOT DATE AND MAY BE SUBJECT TO CHANGE.					



**BENCHMARK**  
COLORADO SPRINGS UTILITIES (FIMS) MONUMENT F206  
A BERTSEN TOP SECURITY MONUMENT SYSTEM WITH A 3.5-INCH DIAMETER ALUMINUM CAP IN A ROAD BOX, LOCATED ON THE NORTHWEST CORNER OF FONTAINE BOULEVARD AND POWERS BOULEVARD.  
ELEVATION - 5897.89' U.S. SURVEY FT

**BASIS OF BEARING**  
BEARINGS ARE BASED ON THE NORTH LINE OF THE NORTHWEST QUARTER OF SECTION 9, TOWNSHIP 15 SOUTH, RANGE 65 WEST OF THE 6TH P.M. SAID LINE BEARS S89°51'23"E FROM THE NORTHWEST CORNER OF SAID SECTION 9 (2 1/2' AULM. CAP PLS 17664) TO THE N 1/4 CORNER OF SAID SECTION 9 (3 1/2' AULM. CAP PLS 10377)

PREPARED BY:

SEAL

FOR AND ON BEHALF OF  
MATRIX DESIGN GROUP, INC.  
PROJECT No. 19.886.014

**TRAILS AT ASPEN RIDGE**

FILING NO. 2  
FINAL GRADING & EROSION CONTROL PLANS

**GENERAL NOTES**

DESIGNED BY:	NMS	SCALE:	DATE ISSUED:	APRIL 2021	DRAWING No.
DRAWN BY:	CRD	HORIZ N/A	SHEET	2 OF 9	GN01
CHECKED BY:	NMS	VERT. N/A			





**SYMBOLS**

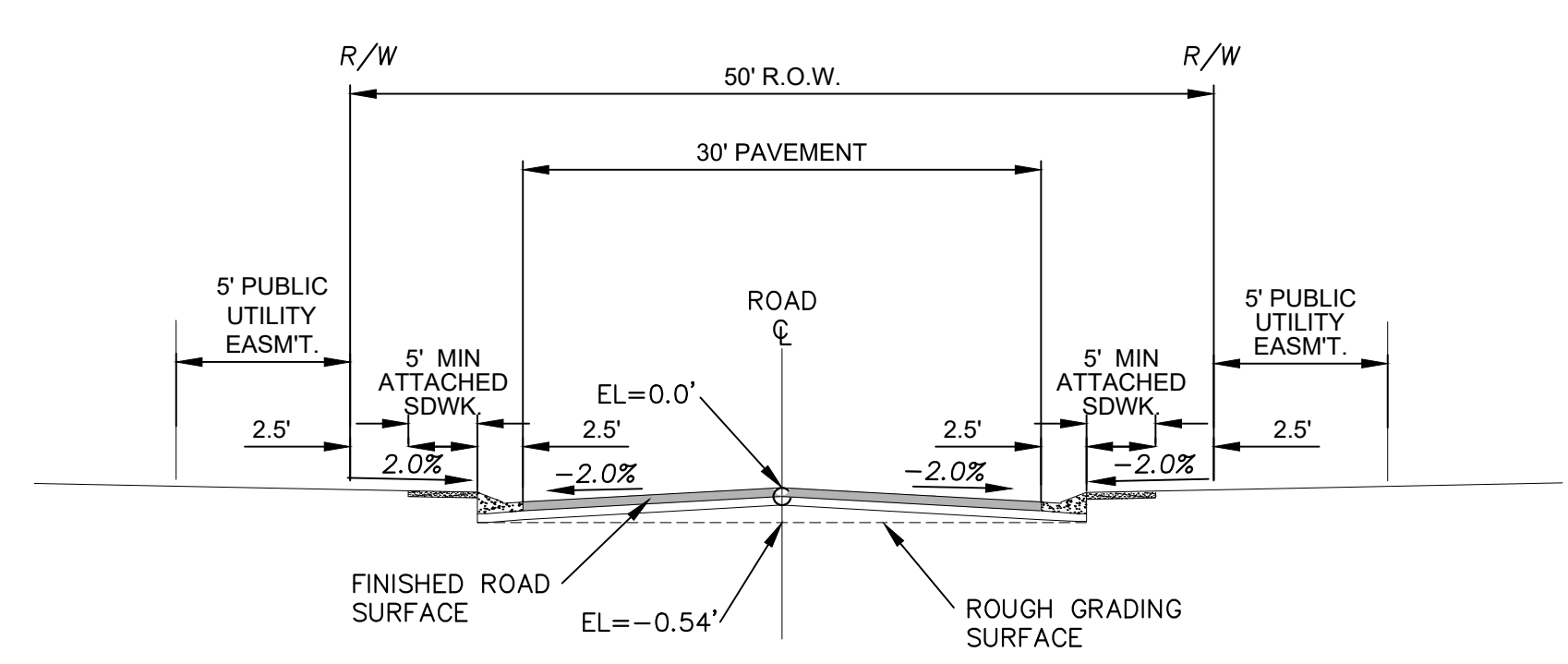
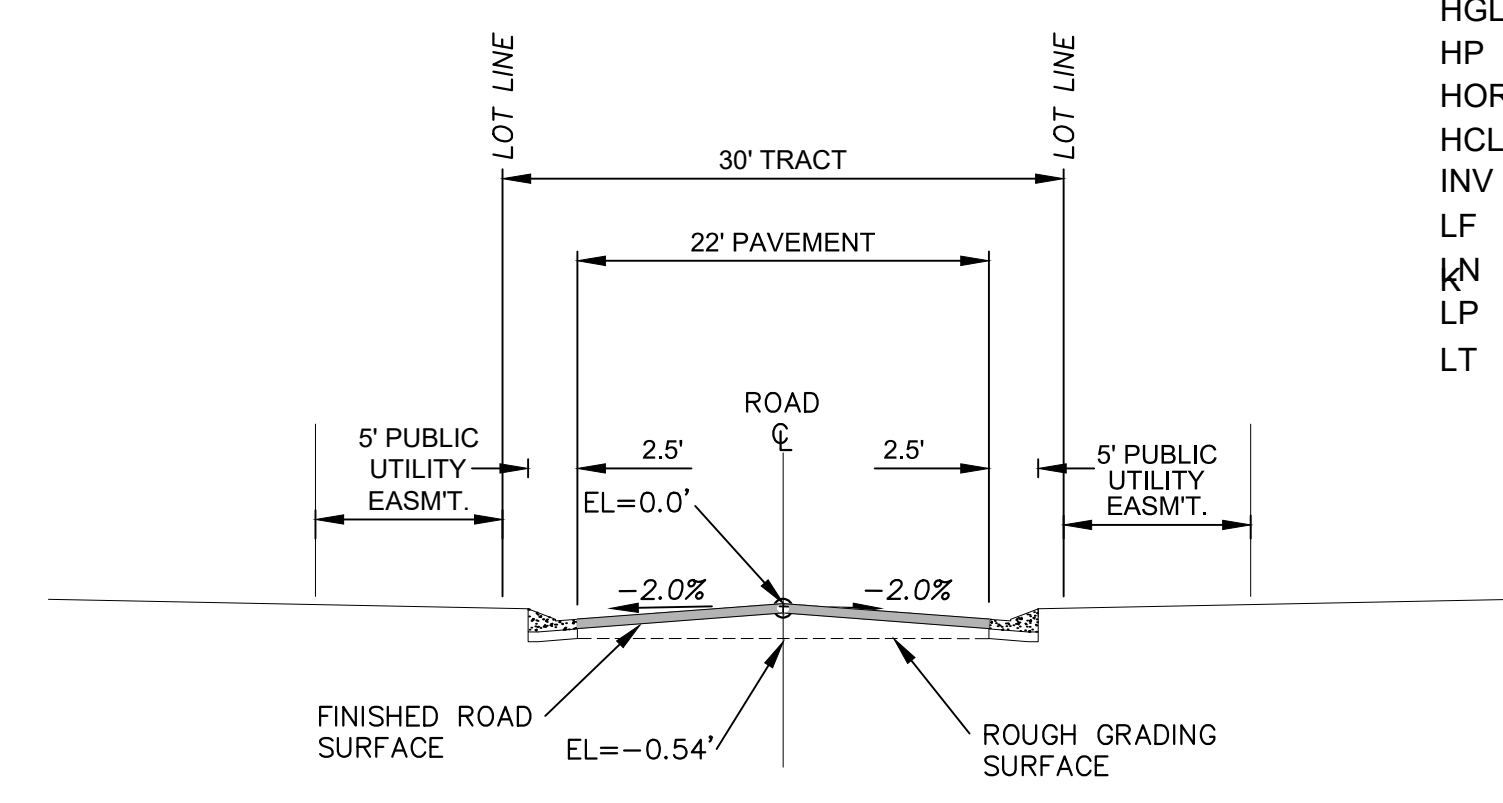
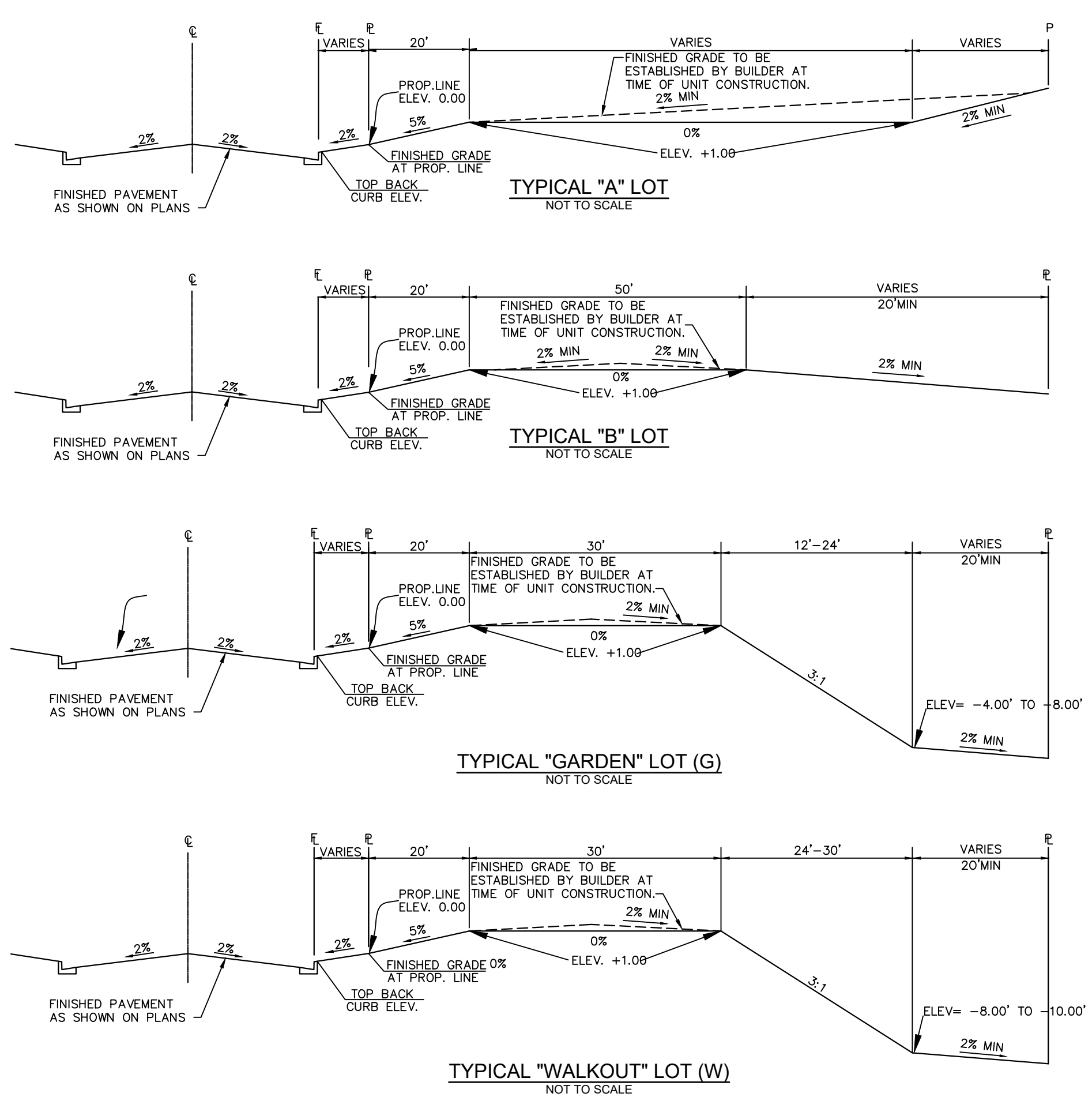
	PROPOSED CENTERLINE		PROPOSED MANHOLE
	EXISTING PAVED ROAD		EXISTING POWER POLE
	EXISTING UNDERGROUND UTILITY		THRUST BLOCK
	PROPOSED UNDERGROUND UTILITY		FIRE HYDRANT
	RIGHT OF WAY		EXISTING WATER VALVE
	EASEMENT		PROPOSED WATER VALVE
	EXISTING CURB & GUTTER		WATER FITTINGS
	PROPOSED CURB & GUTTER		EXISTING STORM INLET
	EXISTING CONTOUR		PROPOSED STORM DRAIN/INLET
	PROPOSED CONTOUR		PLUG PIPE
	LIMITS OF CONSTRUCTION		PROPOSED SIGN
			EXISTING SIGN

**ABBREVIATIONS**

ASSY	ASSEMBLY	MAX	MAXIMUM
ASTM	AMERICAN SOCIETY OF TESTING AND MATERIALS	MH	MANHOLE
APPROX	APPROXIMATE or APPROXIMATELY	MIN	MINIMUM
AVE	AVENUE	MJ	MECHANICAL JOINT
AVG	AVERAGE	NTS	NOT TO SCALE
BLVD	BOULEVARD	O/S	OFFSET
BTM	BOTTOM	PR	PROPOSED
CDOT	COLORADO DEPARTMENT OF TRANSPORTATION	PC	POINT OF CURVATURE
CEN	CENTER	PCC	POINT OF COMPOUND CURVE
C or CL	CENTERLINE	PCR	POINT OF CURB RETURN
CFS	CUBIC FEET PER SECOND	P or P/L	PROPERTY LINE
CONC	CONCRETE	PRC	POINT OF REVERSE CURVE
CONST	CONSTRUCTION	PT	POINT OF TANGENCY
CONT	CONTINUOUS	PVC	POINT OF VERTICAL CURVE or POLYVINYL CHLORIDE
DIA	DIAMETER	PVI	POINT OF VERTICAL INTERSECTION
DWG	DRAWING	PVMT	PAVEMENT
EA	EACH	PVT	POINT OF VERTICAL TANGENT
EGL	ENERGY GRADE LINE	RCP	REINFORCED CONCRETE PIPE
ELEV or EL	ELEVATION	RED	REDUCER
ESMT	EASEMENT	REF	REFERENCE
EX or EXIST	EXISTING	REQ	REQUIRED
FES	FLARED END SECTION	REV	REVISION
F or FL	FLOWLINE	ROW	RIGHT-OF-WAY
FLG	FLANGE	RT	RIGHT
FT	FOOT/FEET	SD	STORM SEWER
HGL	HYDRAULIC GRADE LINE	ST	STREET
HP	HIGH POINT	STA	STATION
HORIZ	HORIZONTAL	STD	STANDARD
HCL	HORIZONTAL CONTROL LINE	SS	SANITARY SEWER
INV	INVERT	SW or S/W	SIDEWALK
LF	LINEAR FEET	TAN	TANGENT
LAN	LANE	TBC	TOP BACK OF CURB
LP	LOW POINT	TYP	TYPICAL
LT	LEFT	UG	UNDERGROUND
		UTIL	UTILITY
		VERT	VERTICAL
		W	WIDTH
		w/	WITH

**LOT TYPES**

- (A) "A" LOT
- (B) "B" LOT
- (G) "GARDEN LEVEL" LOT
- (W) "WALKOUT" LOT
- (T) "TRANSITION" LOT



EPC 7/22/2021

REFERENCE DRAWINGS	###	###	###	###	SHEET KEY
DESCRIPTION	###	###	###	###	
REVISIONS	###	###	###	###	
<p><b>COMPUTER FILE MANAGEMENT</b></p> <p>FILE NAME: S:\19.886.014 (Trails at Aspen Ridge - F2)\100 Dwg\104 Plan Sets\Construction Plans\GEN01.dwg</p> <p>CTB FILE: ---</p> <p>PLOT DATE: April 20, 2021 10:32:14 AM</p> <p>THIS DRAWING IS CURRENT AS OF PLOT DATE AND MAY BE SUBJECT TO CHANGE.</p>					

**BENCHMARK**  
COLORADO SPRINGS UTILITIES (FIMS) MONUMENT F206  
A BERNTSEN TOP SECURITY MONUMENT SYSTEM WITH A 3.5-INCH DIAMETER ALUMINUM CAP IN A ROAD BOX, LOCATED ON THE NORTHWEST CORNER OF FONTAINE BOULEVARD AND POWERS BOULEVARD, ELEVATION - 5897.89' U.S. SURVEY FT

**BASIS OF BEARING**  
BEARINGS ARE BASED ON THE NORTH LINE OF THE NORTHWEST QUARTER OF SECTION 9, TOWNSHIP 15 SOUTH, RANGE 65 WEST OF THE 6TH P.M. SAID LINE BEARS S89°51'23"E FROM THE NORTHWEST CORNER OF SAID SECTION 9 (2 1/2" AULM. CAP PLS 17664) TO THE N 1/4 CORNER OF SAID SECTION 9 (3 1/2" AULM. CAP PLS 10377)

PREPARED BY:

SEAL

<b>TRAILS AT ASPEN RIDGE</b>			
FILING NO. 2			
FINAL GRADING & EROSION CONTROL PLANS			
<b>LEGEND &amp; ABBREVIATION NOTES</b>			
DESIGNED BY:	NMS	SCALE:	DATE ISSUED:
DRAWN BY:	CRD	HORIZ:	N/A
CHECKED BY:	NMS	VERT:	N/A
		SHEET:	APRIL 2021
			3 OF 9
			DRAWING No. GEN01





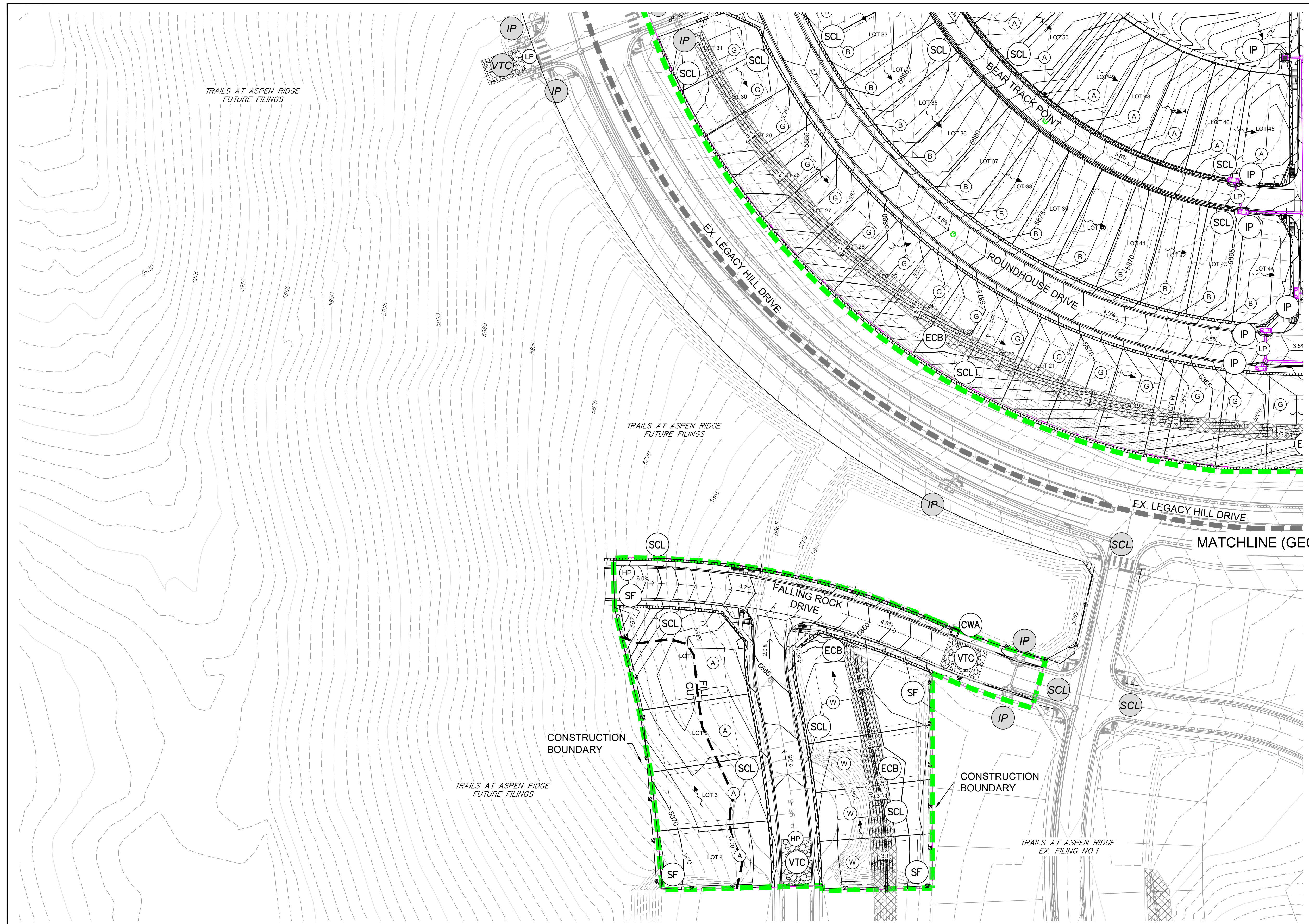
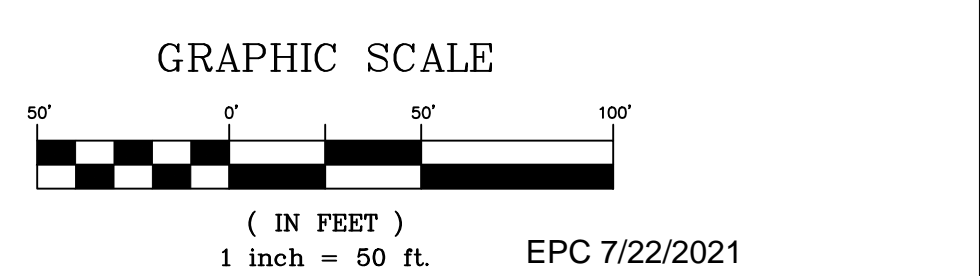




Know what's below. Call before you dig.

- EXISTING BMP INSTALLED DURING THE FINAL GRADING OF FILING NO. 1
- HIGH POINT/LOW POINT
- EROSION CONTROL BLANKET
- TEMPORARY MULCHING AND SEEDING
- SEDIMENT CONTROL LOG
- SEDIMENT CONTROL LOG
- STRAW BALE BARRIER
- SEDIMENT TRAP
- VEHICLE TRACKING CONTROL
- SEDIMENT BASIN
- CONTRACTOR TO COORDINATE LOCATIONS OF CONCRETE WASHOUTS, STOCKPILES, AND STAGING AREAS WITH ADJACENT FILINGS
- INLET PROTECTION
- OUTLET PROTECTION
- DRAINAGE SWALE
- SILT FENCE
- PROPOSED CONTOURS
- EXISTING CONTOURS
- SLOPE DIRECTION
- DRAINAGE FLOW ARROW
- CUT/FILL LINE
- PROPERTY BOUNDARY
- CONSTRUCTION BOUNDARY LINE
- LOT DRAINS TO STREET
- LOT DRAINS TO STREET/REAR OF LOT
- LOT DRAINAGE VARIES
- GARDEN LEVEL BASEMENT
- WALK OUT BASEMENT

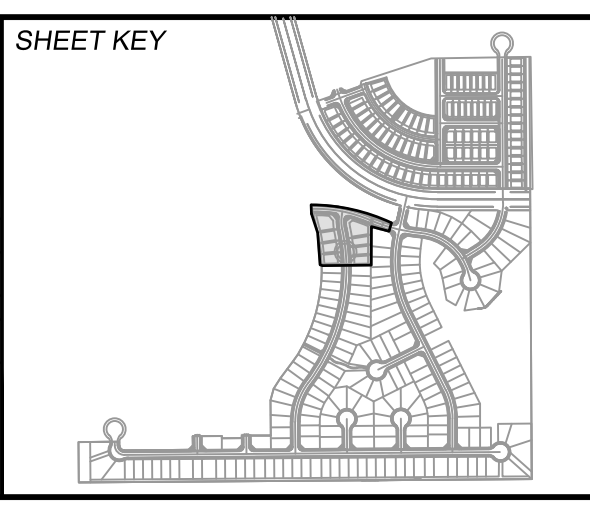
BMP SEQUENCING	
INITIAL	SILT FENCE, CONSTRUCTION FENCE, VEHICLE TRACKING, TEMP SEDIMENT BASINS
INTERIM	SEDIMENT CONTROL LOGS, CHECK DAMS, INLET PROTECTION, STOCKPILES, STAGING
FINAL	EROSION CONTROL BLANKETS, SEEDING & MULCHING



REFERENCE DRAWINGS	NO.	DATE	DESCRIPTION REVISIONS	BY
GEC Titleblock				
X-886-PR STORM_F1				
X-886-PR UTIL				
X-886-PR SITE-F2				
886-PR Legacy Drive				
X-886-PR SITE_F1				
X-886-PR UTIL-F2				

COMPUTER FILE MANAGEMENT	
FILE NAME:	S:\19.886.014 (Trails at Aspen Ridge - F2)\100 Dwg\104 Plan Sets\Construction Plans\GEC Plan\GEC01.dwg
CTB FILE:	---
PLOT DATE:	April 20, 2021 10:32:44 AM
THIS DRAWING IS CURRENT AS OF PLOT DATE AND MAY BE SUBJECT TO CHANGE.	



**BENCHMARK**  
 COLORADO SPRINGS UTILITIES (FIMS) MONUMENT F206  
 A BERNTSEN TOP SECURITY MONUMENT SYSTEM WITH A 3.5-INCH DIAMETER ALUMINUM CAP IN A ROAD BOX, LOCATED ON THE NORTHWEST CORNER OF FONTAINE BOULEVARD AND POWERS BOULEVARD.  
 ELEVATION - 5897.89' U.S. SURVEY FT

**BASIS OF BEARING**  
 BEARINGS ARE BASED ON THE NORTH LINE OF THE NORTHWEST QUARTER OF SECTION 9, TOWNSHIP 15 SOUTH, RANGE 65 WEST OF THE 6TH P.M. SAID LINE BEARS S89°51'23"E FROM THE NORTHWEST CORNER OF SAID SECTION 9 (2 1/2" AULM. CAP PLS 17664) TO THE N 1/4 CORNER OF SAID SECTION 9 (3 1/2" AULM. CAP PLS 10377)

PREPARED BY:

SEAL

**TRAILS AT ASPEN RIDGE**

FILING NO. 2  
 FINAL GRADING & EROSION CONTROL PLANS

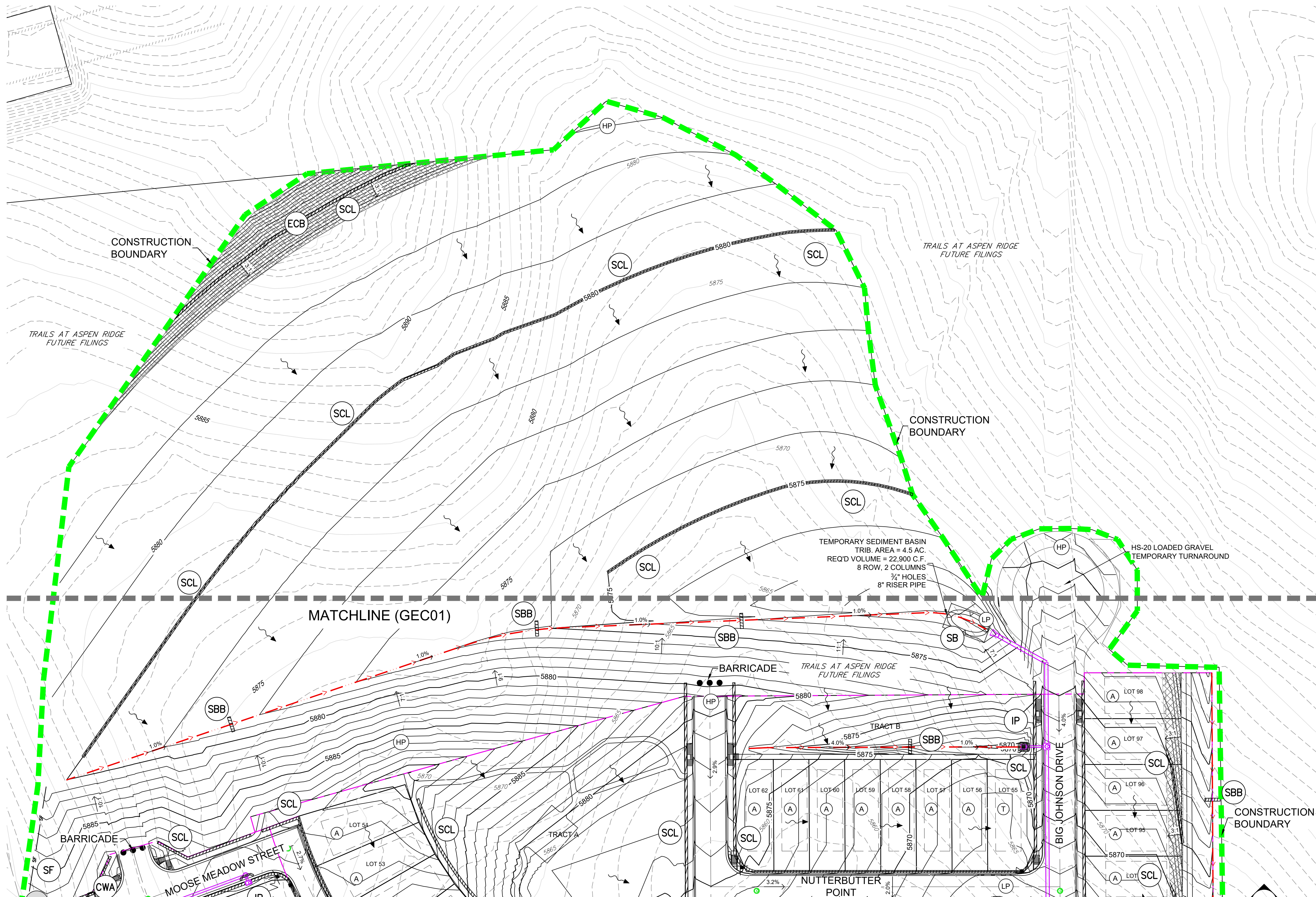
**GRADING & EROSION CONTROL PLAN**

DESIGNED BY:	NMS	SCALE:	DATE ISSUED:	APRIL 2021	DRAWING No.
DRAWN BY:	CRD	HORIZ:	1"=50'	SHEET	5 OF 9
CHECKED BY:	NMS	VERT:	N/A		GEC02



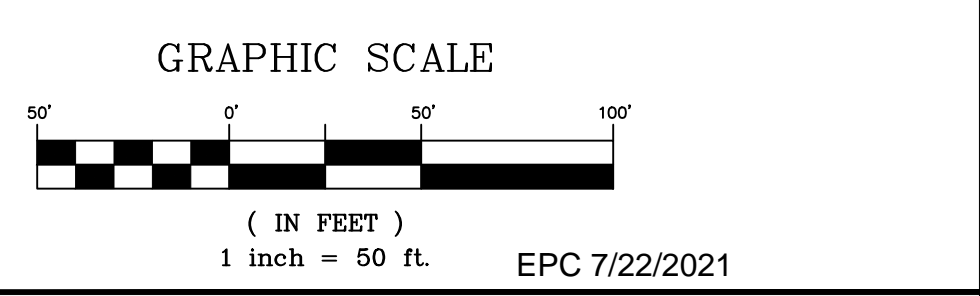


Know what's below.  
Call before you dig.



- EXISTING BMP INSTALLED DURING THE FINAL GRADING OF FILING NO. 1
- HIGH POINT/LOW POINT
- EROSION CONTROL BLANKET
- TEMPORARY MULCHING AND SEEDING
- SEDIMENT CONTROL LOG
- STRAW BALE BARRIER
- VEHICLE TRACKING CONTROL
- SEDIMENT BASIN
- CONTRACTOR TO COORDINATE LOCATIONS OF CONCRETE WASHOUTS, STOCKPILES, AND STAGING AREAS WITH ADJACENT FILINGS
- INLET PROTECTION
- OUTLET PROTECTION
- DRAINAGE SWALE
- SILT FENCE
- PROPOSED CONTOURS
- EXISTING CONTOURS
- SLOPE DIRECTION
- DRAINAGE FLOW ARROW
- CUT/FILL LINE
- PROPERTY BOUNDARY
- CONSTRUCTION BOUNDARY LINE
- LOT DRAINS TO STREET
- LOT DRAINS TO STREET/REAR OF LOT
- LOT DRAINAGE VARIES
- GARDEN LEVEL BASEMENT
- WALK OUT BASEMENT

BMP SEQUENCING	
INITIAL	SILT FENCE, CONSTRUCTION FENCE, VEHICLE TRACKING, TEMP SEDIMENT BASINS
INTERIM	SEDIMENT CONTROL LOGS, CHECK DAMS, INLET PROTECTION, STOCKPILES, STAGING
FINAL	EROSION CONTROL BLANKETS, SEEDING & MULCHING



REFERENCE DRAWINGS	NO.	DATE	DESCRIPTION REVISIONS
GEC Titleblock	###	###	###
X-886-PR STORM_F1	###	###	###
X-886-PR UTIL	###	###	###
X-886-PR SITE-F2	###	###	###
886-PR Legacy Drive	###	###	###
X-886-PR SITE_F1	###	###	###
X-886-PR UTIL-F2	###	###	###

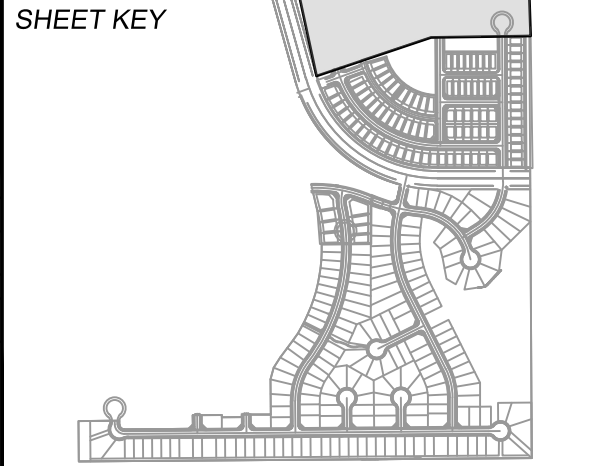
  

NO.	DATE	DESCRIPTION REVISIONS	BY

COMPUTER FILE MANAGEMENT

FILE NAME: S:\19.886.014 (Trails at Aspen Ridge - F2)\100 Dwg\104 Plan Sets\Construction Plans\GEC Plan\GEC01.dwg  
 CTB FILE: ---  
 PLOT DATE: April 20, 2021 10:32:48 AM  
 THIS DRAWING IS CURRENT AS OF PLOT DATE AND MAY BE SUBJECT TO CHANGE.



**BENCHMARK**  
 COLORADO SPRINGS UTILITIES (FIMS) MONUMENT F206  
 A BERNTSEN TOP SECURITY MONUMENT SYSTEM WITH A 3.5-INCH DIAMETER ALUMINUM CAP IN A ROAD BOX, LOCATED ON THE NORTHWEST CORNER OF FONTAINE BOULEVARD AND POWERS BOULEVARD.  
 ELEVATION - 5897.89' U.S. SURVEY FT

**BASIS OF BEARING**  
 BEARINGS ARE BASED ON THE NORTH LINE OF THE NORTHWEST QUARTER OF SECTION 9, TOWNSHIP 15 SOUTH, RANGE 65 WEST OF THE 6TH P.M. SAID LINE BEARS S89°51'23"E FROM THE NORTHWEST CORNER OF SAID SECTION 9 (2 1/2" AULM. CAP PLS 17664) TO THE N 1/4 CORNER OF SAID SECTION 9 (3 1/2" AULM. CAP PLS 10377)

PREPARED BY:

SEAL

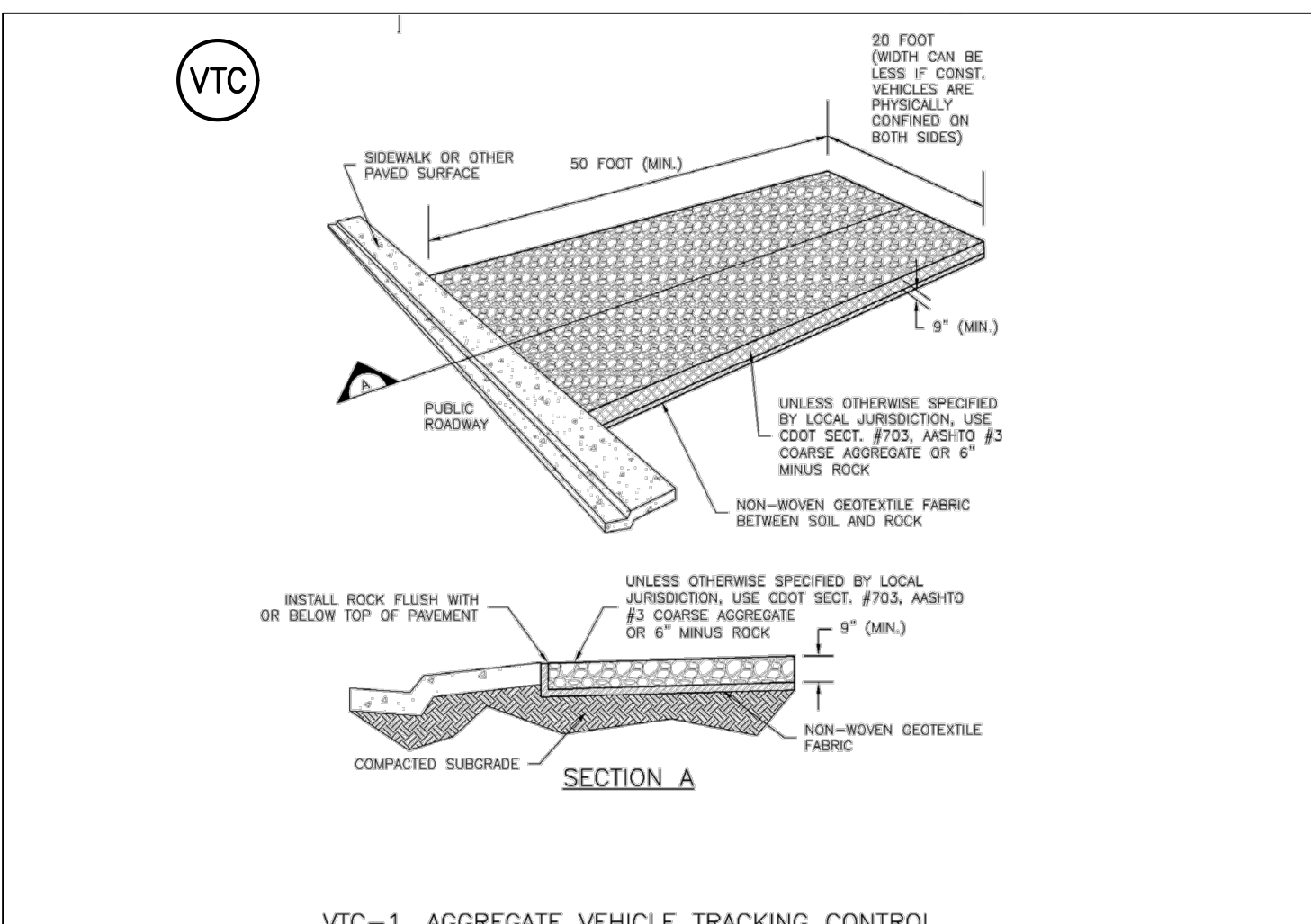
FOR AND ON BEHALF OF  
 MATRIX DESIGN GROUP, INC.  
 PROJECT No. 19.886.014

TRAILS AT ASPEN RIDGE				
FILING NO. 2				
FINAL GRADING & EROSION CONTROL PLANS				
GRADING & EROSION CONTROL PLAN				
DESIGNED BY:	NMS	SCALE:	DATE ISSUED:	APRIL 2021
DRAWN BY:	CRD	HORIZ:	1"=50'	DRAWING No.
CHECKED BY:	NMS	VERT:	N/A	6 OF 9
				GEC03





Know what's below.  
Call before you dig.



VTC-1. AGGREGATE VEHICLE TRACKING CONTROL

**STABILIZED CONSTRUCTION ENTRANCE/EXIT**

- INSTALLATION NOTES:**
- SEE PLAN VIEW FOR:
    - LOCATION OF CONSTRUCTION ENTRANCE/EXIT.
    - TYPE OF CONSTRUCTION ENTRANCE/EXIT WITH/WITHOUT WHEEL WASH, CONSTRUCTION MAT OR TRIM.
  - CONSTRUCTION MAT OR TRIM STABILIZED CONSTRUCTION ENTRANCES ARE ONLY TO BE USED ON SHORT DURATION PROJECTS (TYPICALLY RANGING FROM A WEEK TO A MONTH) WHERE THERE WILL BE LIMITED VEHICULAR ACCESS.
  - A STABILIZED CONSTRUCTION ENTRANCE/EXIT SHALL BE LOCATED AT ALL ACCESS POINTS WHERE VEHICLES ACCESS THE CONSTRUCTION SITE FROM PAVED RIGHT-OF-WAYS.
  - STABILIZED CONSTRUCTION ENTRANCE/EXIT SHALL BE INSTALLED PRIOR TO ANY LAND DISTURBING ACTIVITIES.
  - A NON-WOVEN GEOTEXTILE FABRIC SHALL BE PLACED UNDER STABILIZED CONSTRUCTION ENTRANCE/EXIT PRIOR TO PLACEMENT OF ROCK.
  - UNLESS OTHERWISE SPECIFIED BY LOCAL JURISDICTION, ROCK SHALL CONSIST OF DOT SECTION # 703, AASHTO #3 COARSE AGGREGATE OR 6" (MINUS) ROCK.
- MAINTENANCE NOTES:**
- INSPECT BMPs EACH WORKDAY, AND MAINTAIN THEM IN EFFECTIVE OPERATING CONDITION. MAINTENANCE OF BMPs SHOULD BE PROACTIVE, NOT REACTIVE. INSPECT BMPs AS SOON AS POSSIBLE (AND ALWAYS WITHIN 24 HOURS) FOLLOWING A STORM THAT CAUSES SURFACE EROSION, AND PERFORM NECESSARY MAINTENANCE.
  - FREQUENT OBSERVATIONS AND MAINTENANCE ARE NECESSARY TO MAINTAIN BMPs IN EFFECTIVE OPERATING CONDITION. INSPECTIONS AND CORRECTIVE MEASURES SHOULD BE DOCUMENTED THOROUGHLY.
  - WHERE BMPs HAVE FAILED, REPAIR OR REPLACEMENT SHOULD BE INITIATED UPON DISCOVERY OF THE FAILURE.
  - ROCK SHALL BE REAPPLIED OR REGRADED AS NECESSARY TO THE STABILIZED ENTRANCE/EXIT TO MAINTAIN CONSISTENT DEPTH.
  - SEDIMENT TRACKED ONTO PAVED ROADS IS TO BE REMOVED THROUGHOUT THE DAY AND THE END OF THE DAY BY SHOVELING OR SWEEPING. SEDIMENT MAY NOT BE WASHED DOWN THE STORM SEWER DRAINS.

Figure SM-4  
Vehicle Tracking Control  
Urban Drainage and Flood Control District  
Urban Storm Drainage Criteria Manual Volume 3

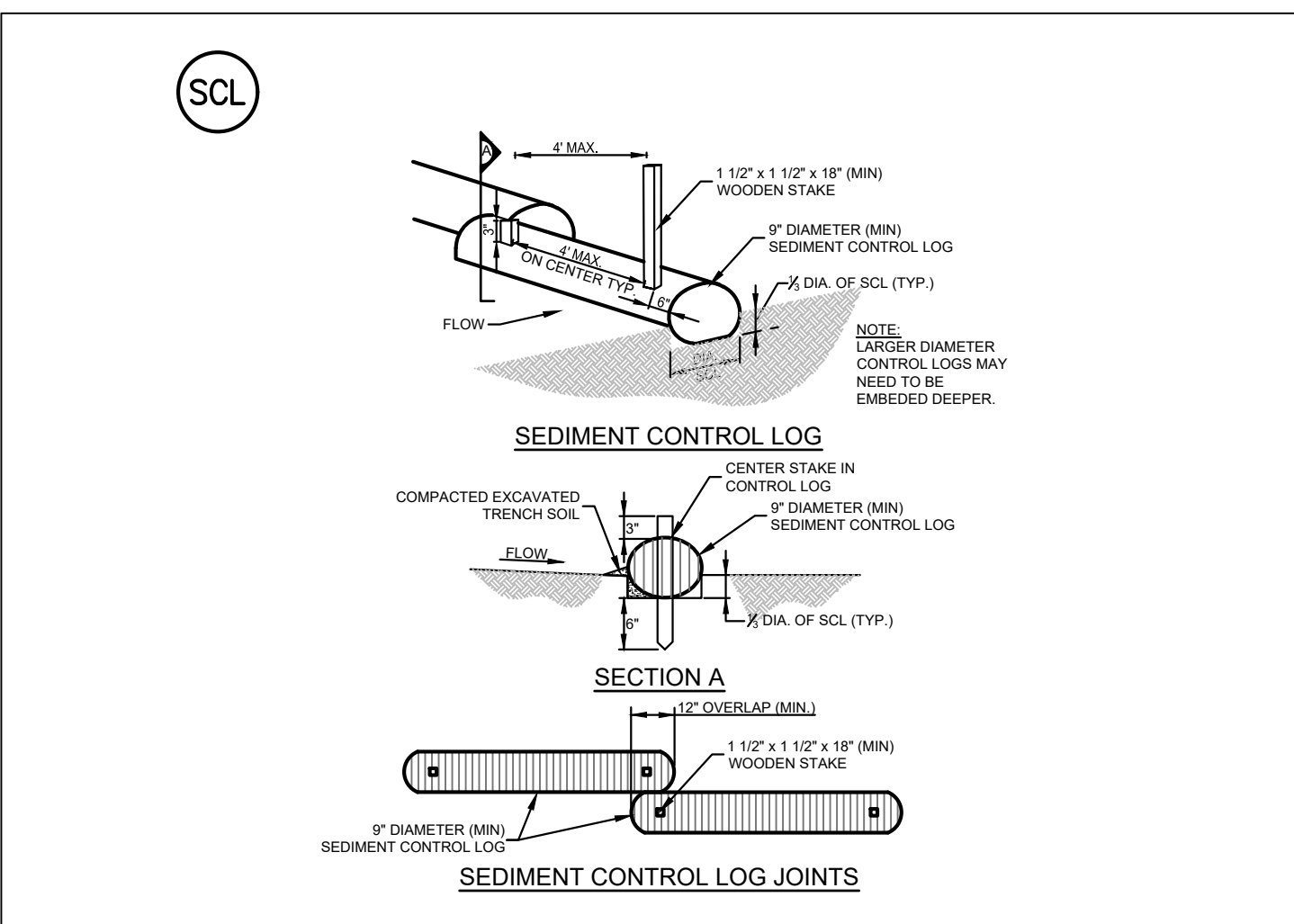


Figure SC-2  
Sediment Control Log  
Urban Drainage and Flood Control District  
Urban Storm Drainage Criteria Manual Volume 3

- INSTALLATION NOTES:**
- SEE PLAN VIEW FOR LOCATION AND LENGTH OF SEDIMENT CONTROL LOGS.
  - SEDIMENT CONTROL LOGS THAT ACT AS PERIMETER CONTROL SHALL BE INSTALLED PRIOR TO ANY UPGRADED LAND-DISTURBING ACTIVITIES.
  - SEDIMENT CONTROL LOGS SHALL CONSIST OF STRAW, COMPOST, EXCELISOR OR COCONUT FIBER, AND SHALL BE FREE OF ANY NOXIOUS WEED SEEDS OR DEFECTS INCLUDING RIPS, HOLES AND OBVIOUS WEAR.
  - SEDIMENT CONTROL LOGS MAY BE USED AS SMALL CHECK DAMS IN DITCHES AND SWALES. HOWEVER, THEY SHOULD NOT BE USED IN PERENNIAL STREAMS OR HIGH VELOCITY DRAINAGE WAYS.
  - IT IS RECOMMENDED THAT SEDIMENT CONTROL LOGS BE TRENCHED INTO THE GROUND TO A DEPTH OF APPROXIMATELY 1/3 THE DIAMETER OF THE LOG. IF TRENCHING TO THIS DEPTH IS NOT FEASIBLE AND/OR DESIRABLE (SHORT TERM INSTALLATION WITH DESIRE NOT TO DAMAGE LANDSCAPE) A LESSER TRENCHING DEPTH MAY BE ACCEPTABLE WITH MORE ROBUST STAKING.
  - THE UPHILL SIDE OF THE SEDIMENT CONTROL LOG SHALL BE BACKFILLED WITH SOIL THAT IS FREE OF ROCKS AND DEBRIS. THE SOIL SHALL BE TIGHTLY COMPACTED INTO THE SHAPE OF A RIGHT TRIANGLE USING A SHOVEL OR WEIGHTED LAWN ROLLER.
  - FOLLOW MANUFACTURERS' GUIDANCE FOR STAKING. IF MANUFACTURERS' INSTRUCTIONS DO NOT SPECIFY SPACING, STAKES SHALL BE PLACED ON 4' CENTERS AND EMBEDDED A MINIMUM OF 6" INTO THE GROUND. 3" OF THE STAKE SHALL PROTRUDE FROM THE TOP OF THE LOG. STAKES THAT ARE BROKEN PRIOR TO INSTALLATION SHALL BE REPLACED.
- MAINTENANCE NOTES:**
- INSPECT BMPs EACH WORKDAY, AND MAINTAIN THEM IN EFFECTIVE OPERATING CONDITION. MAINTENANCE OF BMPs SHOULD BE PROACTIVE, NOT REACTIVE. INSPECT BMPs AS SOON AS POSSIBLE (AND ALWAYS WITHIN 24 HOURS) FOLLOWING A STORM THAT CAUSES SURFACE EROSION, AND PERFORM NECESSARY MAINTENANCE.
  - FREQUENT OBSERVATIONS AND MAINTENANCE ARE NECESSARY TO MAINTAIN BMPs IN EFFECTIVE OPERATING CONDITION. INSPECTIONS AND CORRECTIVE MEASURES SHOULD BE DOCUMENTED THOROUGHLY.
  - WHERE BMPs HAVE FAILED, REPAIR OR REPLACEMENT SHOULD BE INITIATED UPON DISCOVERY OF THE FAILURE.
  - SEDIMENT ACCUMULATED UPSTREAM OF SEDIMENT CONTROL LOG SHALL BE REMOVED AS NEEDED TO MAINTAIN FUNCTIONALITY OF THE BMP. TYPICALLY WHEN DEPTH OF ACCUMULATED SEDIMENTS IS APPROXIMATELY 1/2 OF THE HEIGHT OF THE SEDIMENT CONTROL LOG.
  - SEDIMENT CONTROL LOG SHALL BE REMOVED AT THE END OF CONSTRUCTION. IF DISTURBED AREAS EXIST AFTER REMOVAL, THEY SHALL BE COVERED WITH TOP SOIL, SEEDED AND MULCHED OR OTHERWISE STABILIZED IN A MANNER APPROVED BY THE LOCAL JURISDICTION.

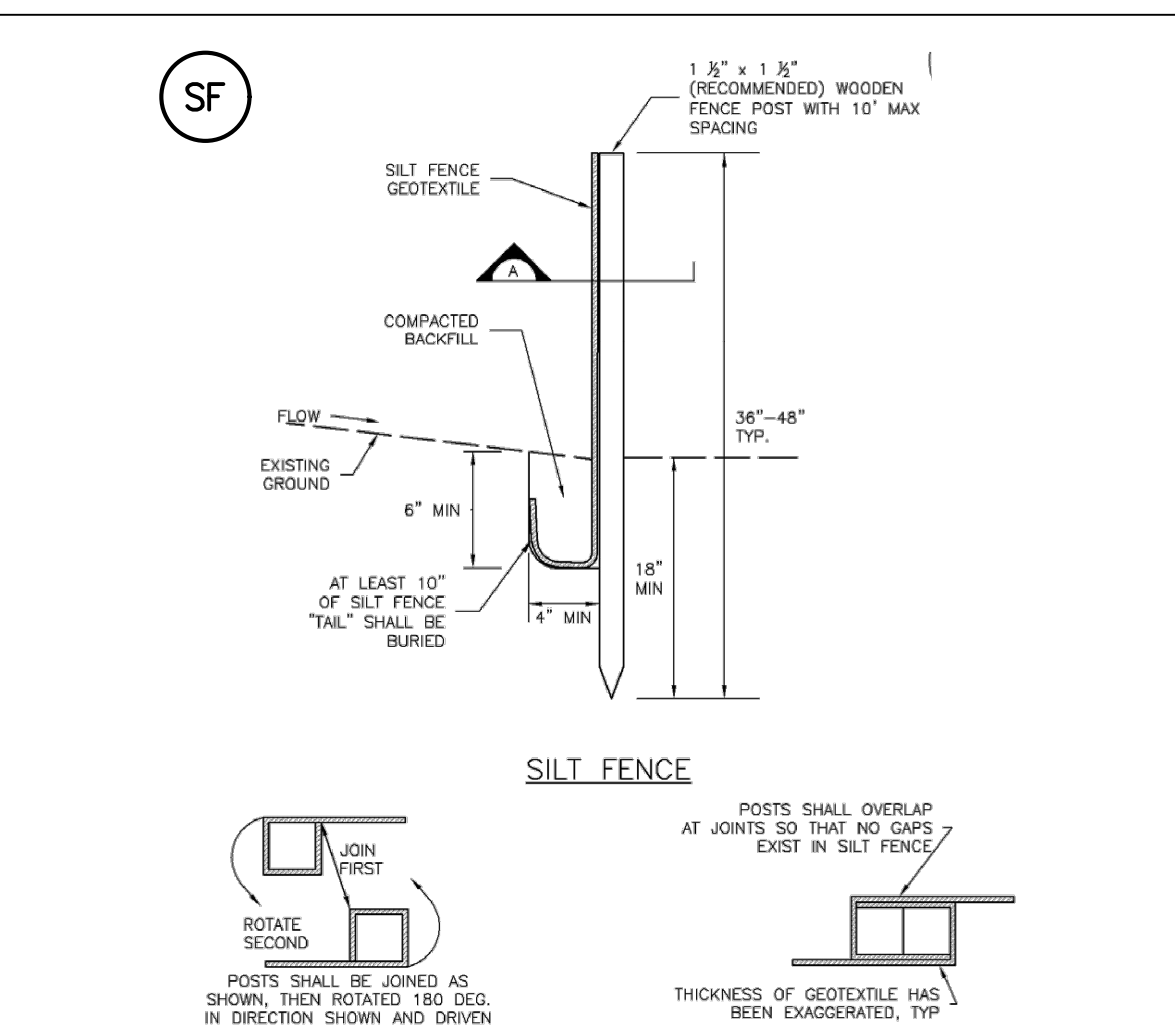


Figure SC-1  
Silt Fence  
Urban Drainage and Flood Control District  
Urban Storm Drainage Criteria Manual Volume 3

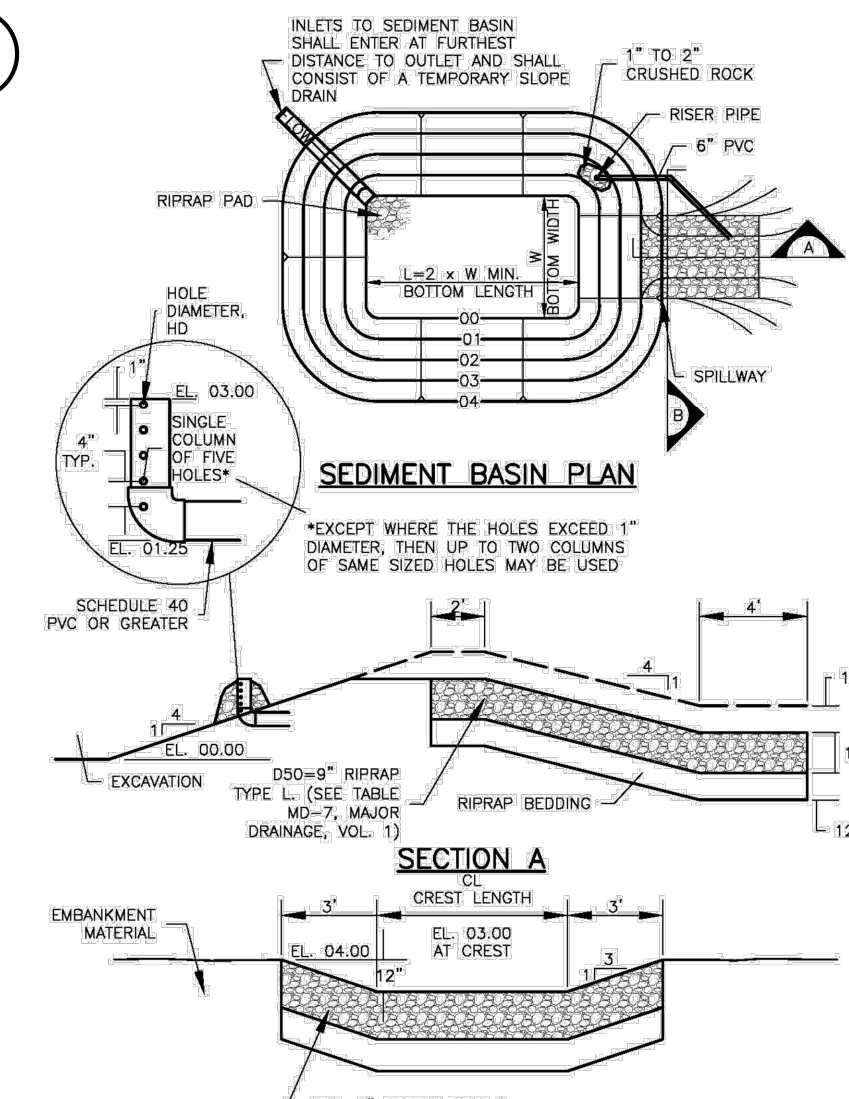
- SILT FENCE INSTALLATION NOTES:**
- SILT FENCE MUST BE PLACED AWAY FROM THE TOE OF THE SLOPE TO ALLOW FOR WATER PONDING. SILT FENCE AT TOP OF A SLOPE SHOULD BE INSTALLED IN A FLAT LOCATION AT LEAST SEVERAL FEET (2-5 FT) FROM THE TOE OF THE SLOPE TO ALLOW ROOM FOR PONDING AND DEPOSITION.
  - A UNIFORM 6" x 4" ANCHOR TRENCH SHALL BE EXCAVATED USING TRENCHER OR SILT FENCE INSTALLATION DEVICE. NO ROAD GRADERS, BACKHOES, OR SIMILAR EQUIPMENT SHALL BE USED.
  - COMPACT ANCHOR TRENCH BY HAND OR WITH A "JUMPING JACK" OR BY WHEEL ROLLING. COMPACTION SHALL BE SUCH THAT SILT FENCE RESISTS BEING PULLED OUT OF ANCHOR TRENCH BY HAND.
  - SILT FENCE SHALL BE PULLED TIGHT AS IT IS ANCHORED TO THE STAKES. THERE SHOULD BE NO NOTICEABLE SAG BETWEEN STAKES AFTER IT HAS BEEN ANCHORED TO THE STAKES.
  - SILT FENCE FABRIC SHALL BE ANCHORED TO THE STAKES USING 1" HEAVY DUTY STAPLES OR NAILS WITH 1" HEADS. STAPLES AND NAILS SHOULD BE PLACED 3" ALONG THE FABRIC DOWN THE STAKE.
  - AT THE END OF A RUN OF SILT FENCE ALONG A CONTOUR, THE SILT FENCE SHOULD BE TURNED PERPENDICULAR TO THE CONTOUR TO CREATE A "J-HOOK". THE "J-HOOK" EXTENDING PERPENDICULAR TO THE CONTOUR SHOULD BE OF SUFFICIENT LENGTH TO KEEP RUNOFF FROM FLOWING AROUND THE END OF THE SILT FENCE (TYPICALLY 10' - 20').
  - SILT FENCE SHALL BE INSTALLED PRIOR TO ANY LAND DISTURBING ACTIVITIES.
- SILT FENCE MAINTENANCE NOTES:**
- INSPECT BMPs EACH WORKDAY, AND MAINTAIN THEM IN EFFECTIVE OPERATING CONDITION. MAINTENANCE OF BMPs SHOULD BE PROACTIVE, NOT REACTIVE. INSPECT BMPs AS SOON AS POSSIBLE (AND ALWAYS WITHIN 24 HOURS) FOLLOWING A STORM THAT CAUSES SURFACE EROSION, AND PERFORM NECESSARY MAINTENANCE.
  - FREQUENT OBSERVATIONS AND MAINTENANCE ARE NECESSARY TO MAINTAIN BMPs IN EFFECTIVE OPERATING CONDITION. INSPECTIONS AND CORRECTIVE MEASURES SHOULD BE DOCUMENTED THOROUGHLY.
  - WHERE BMPs HAVE FAILED, REPAIR OR REPLACEMENT SHOULD BE INITIATED UPON DISCOVERY OF THE FAILURE.
  - SEDIMENT ACCUMULATED UPSTREAM OF THE SILT FENCE SHALL BE REMOVED AS NEEDED TO MAINTAIN FUNCTIONALITY OF THE BMP. TYPICALLY WHEN DEPTH OF ACCUMULATED SEDIMENTS IS APPROXIMATELY 6".
  - REPAIR OR REPLACE SILT FENCE WHEN THERE ARE SIGN OF WEAR, SUCH AS SAGGING, TEARING, OR COLLAPSE.
  - SILT FENCE IS TO REMAIN IN PLACE UNTIL THE UPSTREAM DISTURBED AREA IS STABILIZED AND APPROVED BY THE LOCAL JURISDICTION, OR IS REPLACED BY AN EQUIVALENT PERIMETER SEDIMENT CONTROL BMP.
  - WHEN SILT FENCE IS REMOVED, ALL DISTURBED AREAS SHALL BE COVERED WITH TOP SOIL, SEEDED AND MULCHED OR OTHERWISE STABILIZED AS APPROVED BY LOCAL JURISDICTION.

**Table 14-10. Recommended Seed Mix for Transition Areas<sup>1</sup>**

Common Name (Variety)	Scientific Name	Growth Season	Growth Form	Seeds/Lb	Lbs PLS/Acre Drilled	Lbs PLS/Acre Broadcast or Hydroseeded
Sheep fescue (Durar)	<i>Festuca ovina</i>	Cool	Bunch	680,000	1.3	2.6
Western wheatgrass (Arriba)	<i>Pascopyrum smithii</i>	Cool	Sod	110,000	7.9	15.8
Alkali sacaton	<i>Spolobolus airoides</i>	Warm	Bunch	1,758,000	0.5	1.0
Slender wheatgrass	<i>Elymus trachycaulus</i>	Cool	Bunch	159,000	5.5	11.0
Canadian bluegrass (Ruebess)	<i>Poa compressa</i>	Cool	Sod	2,500,000	0.3	0.6
Switchgrass (Pathfinder)	<i>Panicum virgatum</i>	Warm	Sod/Bunch	389,000	1.3	2.6
Annual rye	<i>Lolium multiflorum</i>	Cool	Cover crop	227,000	10.0	20.0
			<b>TOTAL</b>		<b>26.8</b>	<b>53.6</b>
<b>Wildflowers</b>						
Blanket flower	<i>Gaillardia aristata</i>	---	---	132,000	0.25	0.50
Prairie coneflower	<i>Ratibida columnaris</i>	---	---	1,230,000	0.20	0.40
Purple prairie clover	<i>Petalostemum purpurea</i>	---	---	210,000	0.20	0.40
Gayfeather	<i>Liatris punctata</i>	---	---	138,000	0.06	0.12
Flax	<i>Linum lewisii</i>	---	---	293,000	0.20	0.40
Penstemon	<i>Penstemon strictus</i>	---	---	592,000	0.20	0.40
Yarrow	<i>Achillea millefolium</i>	---	---	2,770,000	0.03	0.06
			<b>TOTAL</b>		<b>1.14</b>	<b>2.28</b>

<sup>1</sup>For side slopes or between wet and dry areas.  
<sup>2</sup>Substitute 1.7 lbs PLS/acre of inland saltgrass (*Distichlis spicata*) in salty soils.

- SEED MIX NOTES:**
- A MIXTURE DEVELOPED FOR ELEVATIONS 3,000 TO 8,000 FEET TO PROVIDE NATURAL COVER UNDER DRYLAND CONDITIONS. CONTAINS BOTH COOL AND WARM SEASON GRASSES ADAPTED TO THE WESTERN GREAT PLAINS AND SOUTHWESTERN REGION. HAS EXCELLENT COLD AND DROUGHT TOLERANCE. GOOD FOR SOIL STABILIZATION ON POOR SOILS.
- CHARACTERISTICS:**  
GROWS 30-60 INCHES WITH AVERAGE RAINFALL.
- SEEDING RATE:**  
BROADCAST: 20-25 LBS/ACRE  
DRILLED: 15-20 LBS/ACRE
- OVERSEEDING:**  
BROADCAST: 10-15 LBS/ACRE  
DRILLED: 5-10 LBS/ACRE
- MIX CONTAINS:**
- | KIND AND VARIETY:  | PURE  | GERM | ORIGIN |
|--------------------|-------|------|--------|
| ANNUAL RYEGRASS    | 15.72 | 97   | OR     |
| SLENDER WHEATGRASS | 14.75 | 98   | WA     |
| CRESTED WHEATGRASS | 10.91 | 96   | SD     |
| MOUNTAIN BROME     | 9.91  | 97   | WY     |
| CANADA BLUEGRASS   | 9.80  | 87   | WA     |
| HARD FESCUE        | 9.78  | 86   | MT     |
| SIDE-OATS GRAMA    | 5.78  | 80   | TX     |
| SWITCHGRASS        | 4.99  | 93   | MN     |
| BIG BLUESTEM       | 4.55  | 95   | KS     |
| BLUE GRAMA         | 2.37  | 95   | MN     |
| SAND DROPSEED      | 0.99  | 95   | CO     |



**TABLE SB-1. SIZING INFORMATION FOR STANDARD SEDIMENT BASIN**

Upstream Drainage area (rounded to nearest acre), (ac)	Basin Bottom Width (w), (ft)	Spillway Crest Length (CL), (ft)	Hole Diameter (HD), (in)
1	12 1/2	2	3/2
2	21	3	1 1/2
3	28	5	1 1/2
4	33 1/2	6	1 1/2
5	38 1/2	8	2 1/2
6	43	9	2 1/2
7	47 1/2	11	2 1/2
8	51	12	2 1/2
9	55	13	2 1/2
10	58 1/2	15	2 1/2
11	61	16	2 1/2
12	64	18	2 1/2
13	67 1/2	19	1 1/2
14	70 1/2	21	1 1/2
15	73 1/2	22	1 1/2

- SEDIMENT BASIN INSTALLATION NOTES:**
- SEE PLAN VIEW FOR:
    - LOCATION OF SEDIMENT BASIN.
    - TYPE OF BASIN (STANDARD BASIN OR NONSTANDARD BASIN).
    - FOR STANDARD BASIN, BOTTOM WIDTH W, CREST LENGTH CL, AND HOLE DIAMETER, HD.
    - FOR NONSTANDARD BASIN, SEE CONSTRUCTION DRAWINGS FOR DESIGN OF BASIN INCLUDING RISER HEIGHT H, NUMBER OF COLUMNS N, HOLE DIAMETER HD AND PIPE DIAMETER D.
  - FOR STANDARD BASIN, BOTTOM DIMENSION MAY BE MODIFIED AS LONG AS BOTTOM AREA IS NOT REDUCED.
  - SEDIMENT BASINS INSTALLED PRIOR TO ANY OTHER LAND-DISTURBING ACTIVITY THAT RELIES ON BASINS AS A STORMWATER CONTROL.
  - EMBANKMENT MATERIAL SHALL CONSIST OF SOIL FREE OF DEBRIS, ORGANIC MATERIAL, AND ROCKS OR CONCRETE GREATER THAN 3 INCHES AND SHALL HAVE A MINIMUM OF 15 PERCENT BY WEIGHT PASSING THE NO. 200 SIEVE.
  - EMBANKMENT MATERIAL SHALL BE COMPACTED TO AT LEAST 95 PERCENT OF MAXIMUM DENSITY IN ACCORDANCE WITH ASTM D698.
  - PIPE SCH 40 OR GREATER SHALL BE USED.
  - THE DETAILS SHOWN ON THESE SHEETS PERTAIN TO STANDARD SEDIMENT BASINS FOR DRAINAGE AREAS LESS THAN 15 ACRES. SEE CONSTRUCTION DRAWINGS FOR EMBANKMENT, STORAGE VOLUME, SPILLWAY, OUTLET, AND OUTLET PROTECTION DETAILS FOR ANY SEDIMENT BASINS THAT HAVE BEEN INDIVIDUALLY DESIGNED FOR DRAINAGE AREAS.

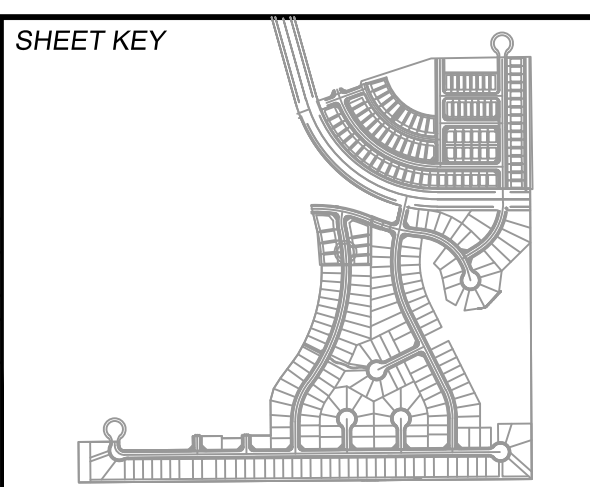
Figure SC-7  
Sediment Basin  
Urban Drainage and Flood Control District  
Urban Storm Drainage Criteria Manual Volume 3

EPC 7/22/2021

REFERENCE DRAWINGS	###	###	###
GEC Titleblock	###	###	###
	###	###	###
	###	###	###
	###	###	###
No.	DATE	DESCRIPTION	REVISIONS

**COMPUTER FILE MANAGEMENT**

FILE NAME: S:\19.886.014 (Trails at Aspen Ridge - F2)\100 Dwg\104 Plan Sets\Construction Plans\GEC Plan\ECN01.dwg  
 CTB FILE: ---  
 PLOT DATE: April 20, 2021 10:33:50 AM  
 THIS DRAWING IS CURRENT AS OF PLOT DATE AND MAY BE SUBJECT TO CHANGE.



**BENCHMARK**  
COLORADO SPRINGS UTILITIES (FIMS) MONUMENT F206  
A BERTSEN TOP SECURITY MONUMENT SYSTEM WITH A 3.5-INCH DIAMETER ALUMINUM CAP IN A ROAD BOX, LOCATED ON THE NORTHWEST CORNER OF FONTAINE BOULEVARD AND POWERS BOULEVARD, ELEVATION - 5897.89' U.S. SURVEY FT

**BASIS OF BEARING**  
BEARINGS ARE BASED ON THE NORTH LINE OF THE NORTHWEST QUARTER OF SECTION 9, TOWNSHIP 15 SOUTH, RANGE 65 WEST OF THE 6TH P.M. SAID LINE BEARS S89°51'23"E FROM THE NORTHWEST CORNER OF SAID SECTION 9 (2 1/2" AULM. CAP PLS 17664) TO THE N 1/4 CORNER OF SAID SECTION 9 (3 1/2" AULM. CAP PLS 10377)

PREPARED BY:  
**Matrix**



**TRAILS AT ASPEN RIDGE**

FILING NO. 2  
FINAL GRADING & EROSION CONTROL PLANS

**EROSION CONTROL DETAILS**

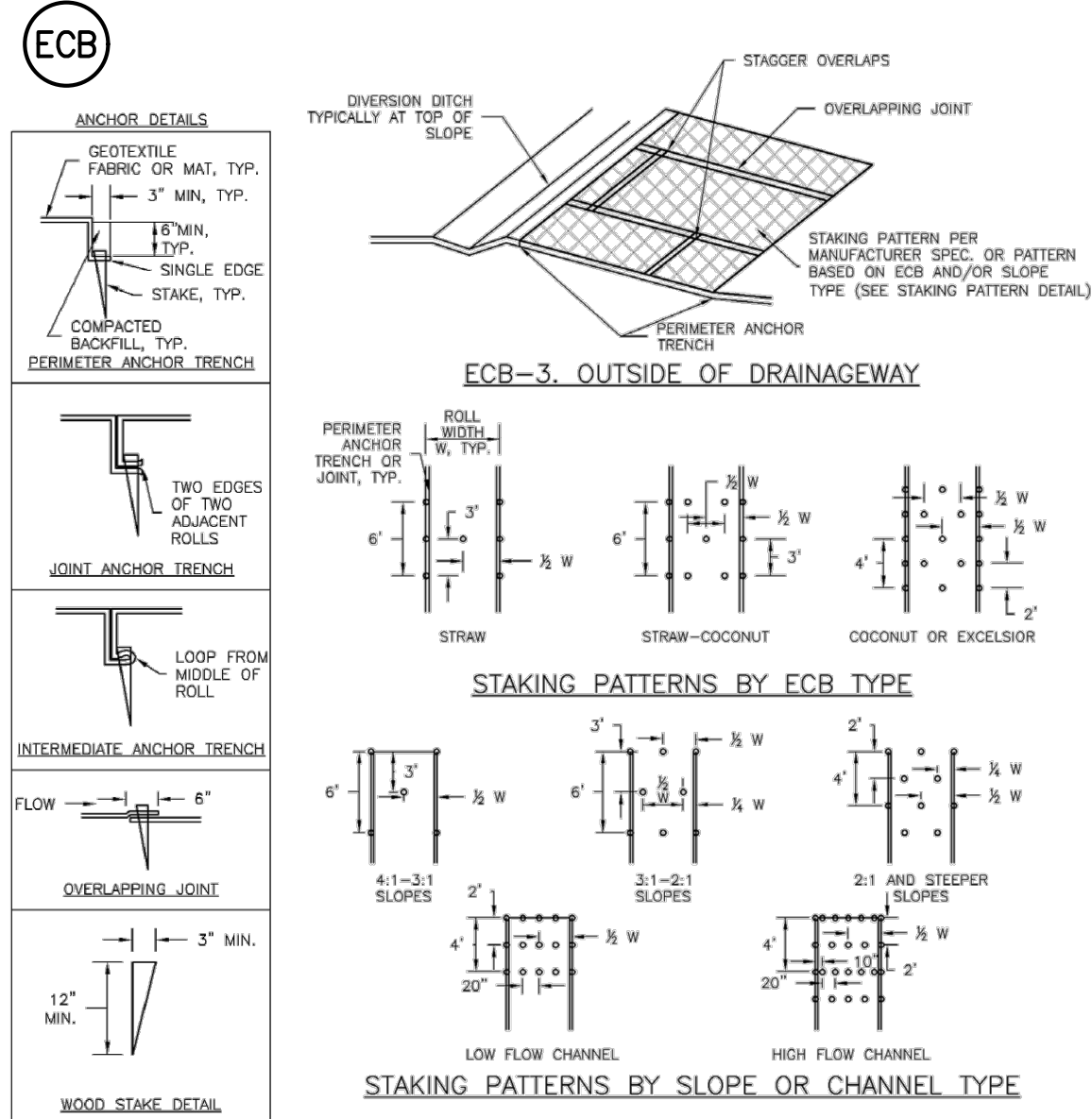
DESIGNED BY:	NMS	SCALE:	DATE ISSUED:	APRIL 2021	DRAWING No.
DRAWN BY:	CRD	HORIZ	N/A	SHEET	7 OF 9
CHECKED BY:	NMS	VERT.	N/A		ECN01

FOR AND ON BEHALF OF  
MATRIX DESIGN GROUP, INC.  
PROJECT No. 19.886.014





Know what's below.  
Call before you dig.



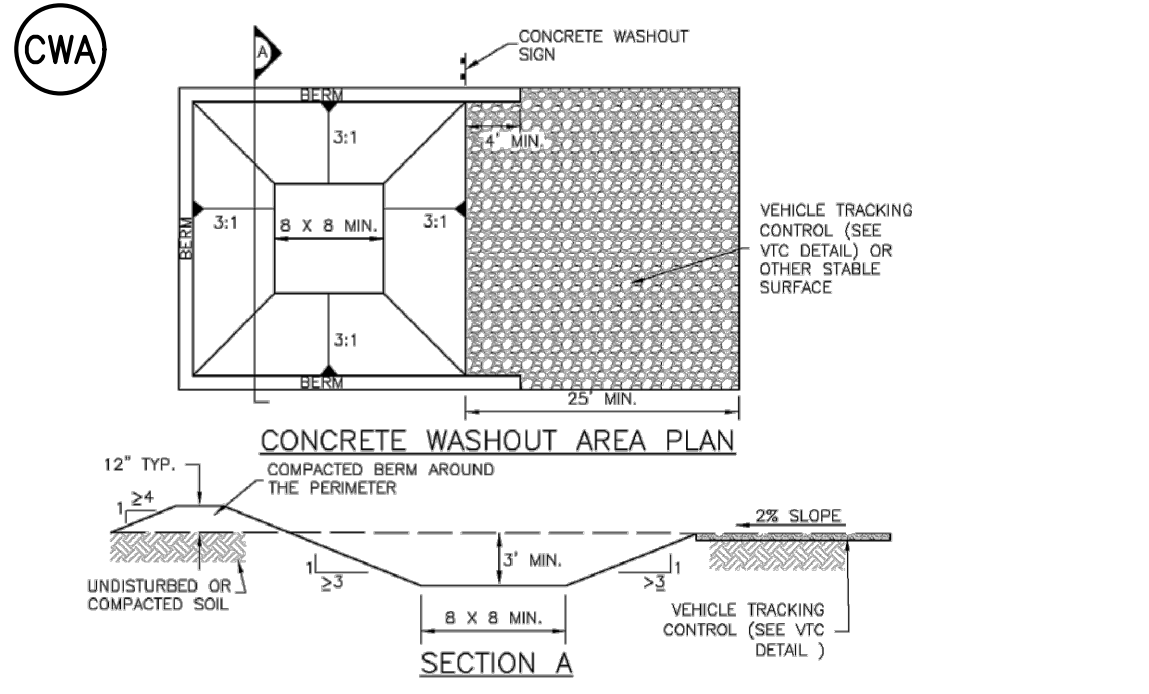
TYPE	COCONUT CONTENT	STRAW CONTENT	EXCELSIOR CONTENT	RECOMMENDED NETTING**
STRAW*	-	100%	-	DOUBLE/NATURAL
STRAW-COCONUT	30% MIN	70% MAX	-	DOUBLE/NATURAL
COCONUT	100%	-	-	DOUBLE/NATURAL
EXCELSIOR	-	-	100%	DOUBLE/NATURAL

\* STRAW ECBs MAY ONLY BE USED OUTSIDE OF STREAMS AND DRAINAGE CHANNELS.  
\*\* ALTERNATE NETTING MAY BE ACCEPTABLE IN SOME JURISDICTIONS.

**EROSION CONTROL BLANKET**

- INSTALLATION NOTES:**
- SEE PLAN VIEW FOR:
    - LOCATION OF ECB.
    - TYPE OF ECB (STRAW, STRAW-COCONUT, COCONUT, EXCELSIOR).
    - AREA, A, IN SQUARE YARDS OF EACH TYPE OF ECB.
  - 100% NATURAL AND BIODEGRADABLE MATERIALS ARE PREFERRED FOR ECBs. ALTHOUGH SOME JURISDICTIONS MAY ALLOW OTHER MATERIALS IN SOME APPLICATIONS.
  - IN AREAS WHERE ECBs ARE SHOWN ON THE PLANS, THE PERMITTEE SHALL PLACE TOPSOIL AND PERFORM FINAL GRADING, SURFACE PREPARATION, AND SEEDING AND MULCHING. SUBGRADE SHALL BE SMOOTH AND MOIST PRIOR TO ECB INSTALLATION AND THE ECB SHALL BE IN FULL CONTACT WITH SUBGRADE. NO GAPS OR VOIDS SHALL EXIST UNDER THE BLANKET.
  - PERIMETER ANCHOR TRENCH SHALL BE USED ALONG THE OUTSIDE PERIMETER OF ALL BLANKET AREAS.
  - JOINT ANCHOR TRENCH SHALL BE USED TO JOIN ROLLS OF ECBs TOGETHER (LONGITUDINALLY AND TRANSVERSELY) FOR ALL ECBs EXCEPT STRAW WHICH MAY USE AN OVERLAPPING JOINT.
  - INTERMEDIATE ANCHOR TRENCH SHALL BE USED AT SPACING OF ONE-HALF ROLL LENGTH FOR COCONUT AND EXCELSIOR ECBs.
  - OVERLAPPING JOINT DETAIL SHALL BE USED TO JOIN ROLLS OF ECBs TOGETHER FOR ECBs ON SLOPES.
  - MATERIAL SPECIFICATIONS OF ECBs SHALL CONFORM TO TABLE ECB-1.
  - ANY AREAS OF SEEDING AND MULCHING DISTURBED IN THE PROCESS OF INSTALLING ECBs SHALL BE RESEEDED AND MULCHED.
  - DETAILS ON DESIGN PLAND FOR MAJOR DRAINAGEWAY STABILIZATION WILL GOVERN IF DIFFERENT FROM THOSE SHOWN HERE.
- MAINTENANCE NOTES:**
- INSPECT BMPs EACH WORKDAY, AND MAINTAIN THEM IN EFFECTIVE OPERATING CONDITION. MAINTENANCE OF BMPs SHOULD BE PROACTIVE, NOT REACTIVE. INSPECT BMPs AS SOON AS POSSIBLE (AND ALWAYS WITHIN 24 HOURS) FOLLOWING A STORM THAT CAUSES SURFACE EROSION, AND PERFORM NECESSARY MAINTENANCE.
  - FREQUENT OBSERVATIONS AND MAINTENANCE ARE NECESSARY TO MAINTAIN BMPs IN EFFECTIVE OPERATING CONDITION. INSPECTIONS AND CORRECTIVE MEASURES SHOULD BE DOCUMENTED THOROUGHLY.
  - WHERE BMPs HAVE FAILED, REPAIR OR REPLACEMENT SHOULD BE INITIATED UPON DISCOVERY OF THE FAILURE.
  - ECBs SHALL BE LEFT IN PLACE TO EVENTUALLY BIODEGRADE, UNLESS REQUESTED TO BE REMOVED BY THE LOCAL JURISDICTION.
  - ANY ECB PULLED OUT, TORN, OR OTHERWISE DAMAGED SHALL BE REPAIRED OR REINSTALLED. ANY SUBGRADE AREAS BELOW THE GEOTEXTILE THAT HAVE ERODED TO CREATED A VOID UNDER THE BLANKET, OR THAT REMAIN DEVOID OF GRASS SHALL BE REPAIRED, RESEEDED AND MULCHED AND THE ECB REINSTALLED.

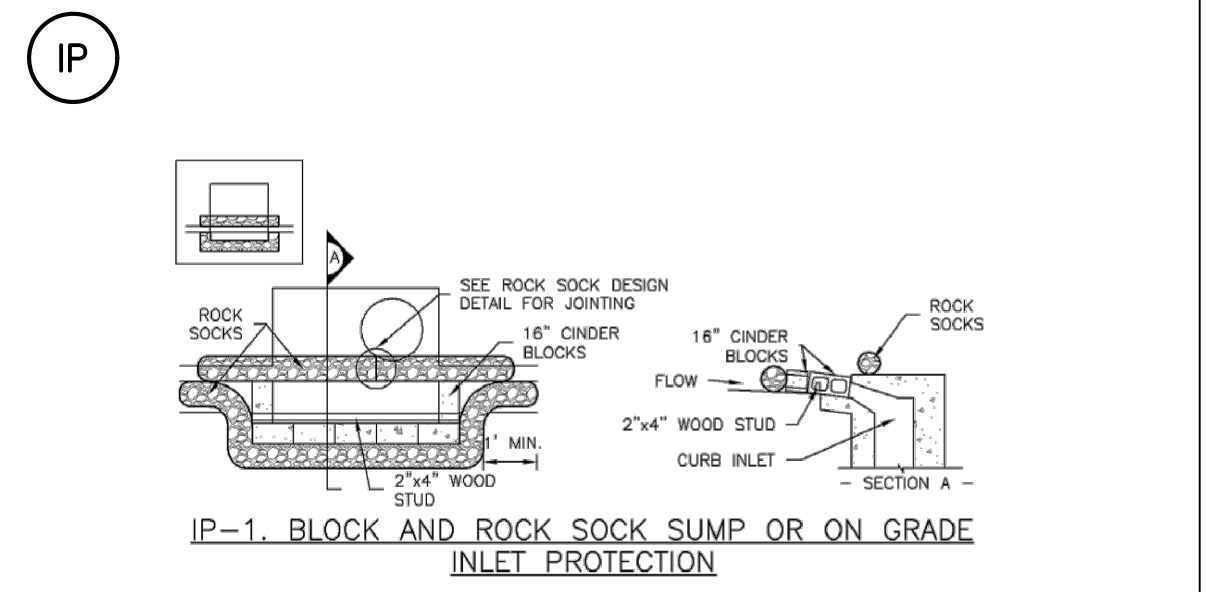
Figure EC-6  
Rolled Erosion Control Product  
Urban Drainage and Flood Control District  
Urban Storm Drainage Criteria Manual Volume 3



**CONCRETE WASHOUT AREA**

- CWA INSTALLATION NOTES:**
- SEE PLAN VIEW FOR:
    - CWA INSTALLATION LOCATION
  - DO NOT LOCATE AN UNLINED CWA WITHIN 400' OF ANY NATURAL DRAINAGE PATHWAY OR WATER BODY. DO NOT LOCATE WITHIN 1000' OF ANY WELLS OR DRINKING WATER SOURCES. IF SITE CONSTRAINTS MAKE THIS INFEASIBLE, OR IF HIGHLY PERMEABLE SOILS EXIST ON SITE, THE CWA MUST BE INSTALLED WITH AN IMPERMEABLE LINER (16 MIL MIN. THICKNESS) OR SURFACE STORAGE ALTERNATIVES USING PREFABRICATED CONCRETE WASHOUT DEVICES OR A LINED ABOVE GROUND STORAGE AREA SHOULD BE USED.
  - THE CWA SHALL BE INSTALLED PRIOR TO CONCRETE PLACEMENT ON SITE.
  - THE CWA SHALL INCLUDE A FLAT SUBSURFACE PIT THAT IS AT LEAST 8" BY 8" SLOPES LEADING OUT OF THE SUBSURFACE PIT SHALL BE 3:1 OR FLATTER. THE PIT SHALL BE AT LEAST 3' DEEP.
  - BERM SURROUNDING SIDES AND BACK OF THE CWA SHALL HAVE A MINIMUM HEIGHT OF 1'.
  - VEHICLE TRACKING PAD SHALL BE SLOPED 2% TOWARDS THE CWA.
  - SIGNS SHALL BE PLACED AT THE CONSTRUCTION ENTRANCE, AT THE CWA, AND ELSEWHERE AS NECESSARY TO CLEARLY INDICATE THE LOCATION OF THE CWA TO OPERATORS OF CONCRETE TRUCKS AND PUMP RIGS.
  - USE EXCAVATED MATERIAL FOR PERIMETER BERM CONSTRUCTION.

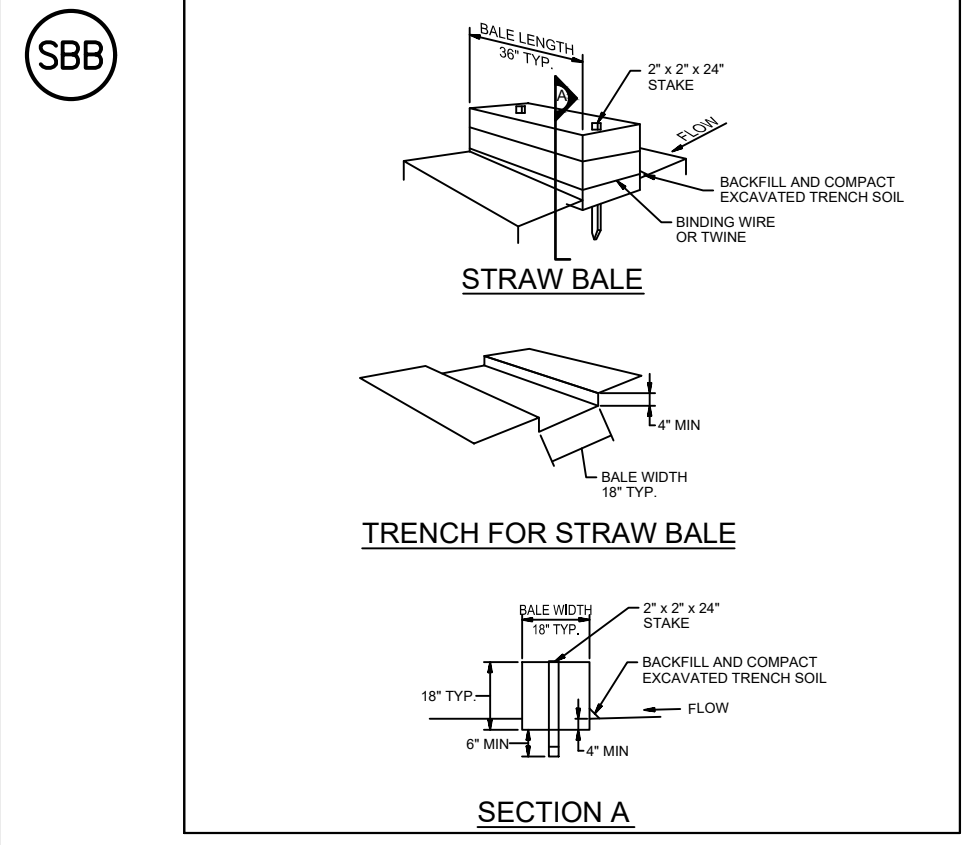
Figure CWA-3  
Concrete Washout Area  
Urban Drainage and Flood Control District  
Urban Storm Drainage Criteria Manual Volume 3



**TEMPORARY INLET PROTECTION IP-1**

- INSTALLATION NOTES:**
- SEE ROCK SOCK DESIGN DETAIL FOR INSTALLATION REQUIREMENTS.
  - CONCRETE "CINDER" BLOCKS SHALL BE LAID ON THEIR SIDES AROUND THE INLET IN A SINGLE ROW, ABUTTING ONE ANOTHER WITH THE OPEN END FACING AWAY FROM THE CURB
  - GRAVEL BAGS SHALL BE PLACED AROUND CONCRETE BLOCKS, CLOSELY ABUTTING ONE ANOTHER AND JOINED TOGETHER IN ACCORDANCE WITH ROCK SOCK DESIGN DETAIL.

Figure IP-1  
Temporary Inlet Protection  
Urban Drainage and Flood Control District

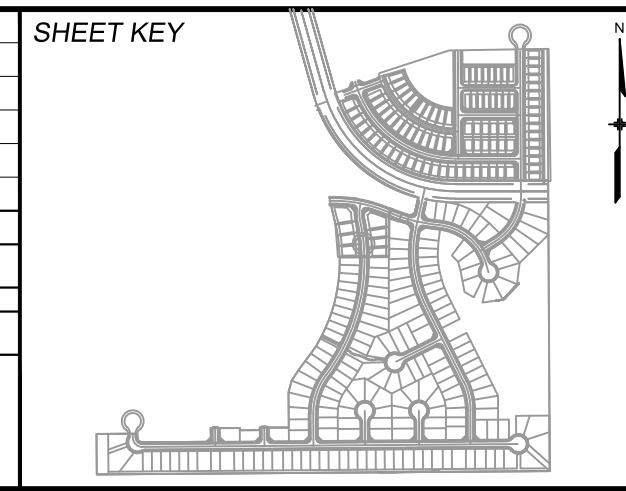


**STRAW BALE BARRIER NOTES**

- STRAW BALE INSTALLATION NOTES:**
- SEE PLAN VIEW FOR:
    - LOCATION(S) OF STRAW BALES.
  - STRAW BALES SHALL CONSIST OF CERTIFIED WEED FREE STRAW OR HAY. LOCAL JURISDICTIONS MAY REQUIRE PROOF THAT BALES ARE WEED FREE.
  - STRAW BALES SHALL CONSIST OF APPROXIMATELY 5 CUBIC FEET OF STRAW OR HAY AND WEIGH NOT LESS THAN 35 POUNDS.
  - WHEN STRAW BALES ARE USED IN A SERIES AS A BARRIER, THE END OF EACH BALE SHALL BE TIGHTLY ABUTTING ON ANOTHER.
  - STRAW BALE DIMENSIONS SHALL BE APPROXIMATELY 36"x18"x18".
  - A UNIFORM ANCHOR TRENCH SHALL BE EXCAVATED TO A DEPTH OF 4". STRAW BALES SHALL BE PLACED SO THAT BINDING TWINE IS ENCOMPASSING THE VERTICAL SIDES OF THE BALE(S). ALL EXCAVATED SOIL SHALL BE PLACED ON THE UPHILL SIDE OF THE STRAW BALE(S) AND COMPACTED.
  - TWO (2) WOODEN STAKES SHALL BE USED TO HOLD EACH BALE IN PLACE. WOODEN STAKES SHALL BE 2"x2"x24". WOODEN STAKES SHALL BE DRIVEN 6" INTO THE GROUND.
- STRAW BALE MAINTENANCE NOTES:**
- INSPECT BMPs EACH WORKDAY, AND MAINTAIN THEM IN EFFECTIVE OPERATING CONDITION. MAINTENANCE OF BMPs SHOULD BE PROACTIVE, NOT REACTIVE. INSPECT BMPs AS SOON AS POSSIBLE (AND ALWAYS WITHIN 24 HOURS) FOLLOWING A STORM THAT CAUSES SURFACE EROSION, AND PERFORM NECESSARY MAINTENANCE.
  - FREQUENT OBSERVATIONS AND MAINTENANCE ARE NECESSARY TO MAINTAIN BMPs IN EFFECTIVE OPERATING CONDITION. INSPECTIONS AND CORRECTIVE MEASURES SHOULD BE DOCUMENTED THOROUGHLY.
  - WHERE BMPs HAVE FAILED, REPAIR OR REPLACEMENT SHOULD BE INITIATED UPON DISCOVERY OF THE FAILURE.
  - STRAW BALES SHALL BE REPLACED IF THEY BECOME HEAVILY SOILED, ROTTEN, OR DAMAGED BEYOND REPAIR.
  - SEDIMENT ACCUMULATED UPSTREAM OF STRAW BALE BARRIER SHALL BE REMOVED AS NEEDED TO MAINTAIN FUNCTIONALITY OF THE BMP. TYPICALLY WHEN DEPTH OF ACCUMULATED SEDIMENTS IS APPROXIMATELY 1/4 OF THE HEIGHT OF THE STRAW BARRIER BALE.
  - STRAW BALES ARE TO REMAIN IN PLACE UNTIL THE UPSTREAM DISTURBED AREA IS STABILIZED AND APPROVED BY THE LOCAL JURISDICTION.
  - WHEN THE STRAW BALES ARE REMOVED, ALL DISTURBED AREAS SHALL BE COVERED WITH TOP SOIL, SEEDED AND MULCHED OR OTHERWISE STABILIZED AS APPROVED BY LOCAL JURISDICTION.

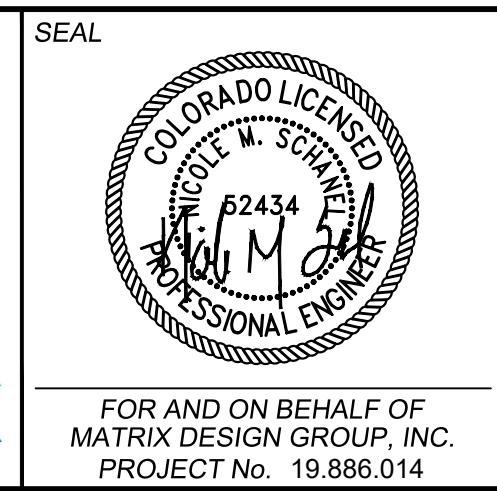
Figure SC-3  
Straw Bale Barrier  
Urban Drainage and Flood Control District  
Urban Storm Drainage Criteria Manual Volume 3

REFERENCE DRAWINGS	###	###	###	###	###
GEC Titleblock	###	###	###	###	###
	###	###	###	###	###
	###	###	###	###	###
	###	###	###	###	###
No.	DATE	DESCRIPTION			BY
REVISIONS					
COMPUTER FILE MANAGEMENT					
FILE NAME: S:\19.886.014 (Trails at Aspen Ridge - F2)\100 Dwg\104 Plan Sets\Construction Plans\GEC Plan\ECN01.dwg					
CTB FILE: ---					
PLOT DATE: April 20, 2021 10:33:57 AM					
THIS DRAWING IS CURRENT AS OF PLOT DATE AND MAY BE SUBJECT TO CHANGE.					



**BENCHMARK**  
COLORADO SPRINGS UTILITIES (FIMS) MONUMENT F206  
A BERTSEN TOP SECURITY MONUMENT SYSTEM WITH A 3.5-INCH DIAMETER ALUMINUM CAP IN A ROAD BOX, LOCATED ON THE NORTHWEST CORNER OF FONTAINE BOULEVARD AND POWERS BOULEVARD.  
ELEVATION - 5897.89' U.S. SURVEY FT

**BASIS OF BEARING**  
BEARINGS ARE BASED ON THE NORTH LINE OF THE NORTHWEST QUARTER OF SECTION 9, TOWNSHIP 15 SOUTH, RANGE 65 WEST OF THE 6TH P.M. SAID LINE BEARS S89°51'23"E FROM THE NORTHWEST CORNER OF SAID SECTION 9 (2 1/2" AULM. CAP PLS 17664) TO THE N 1/4 CORNER OF SAID SECTION 9 (3 1/2" AULM. CAP PLS 10377)



<b>TRAILS AT ASPEN RIDGE</b>					
FILING NO. 2 FINAL GRADING & EROSION CONTROL PLANS					
<b>EROSION CONTROL DETAILS</b>					
DESIGNED BY:	NMS	SCALE:	DATE ISSUED:	APRIL 2021	DRAWING No.
DRAWN BY:	CRD	HORIZ:	N/A	8 OF 9	ECN02
CHECKED BY:	NMS	VERT:	N/A		





Know what's below.  
Call before you dig.

**Stockpile Management (SP)**

**MM-2**

**Stabilized Staging Area (SSA)**

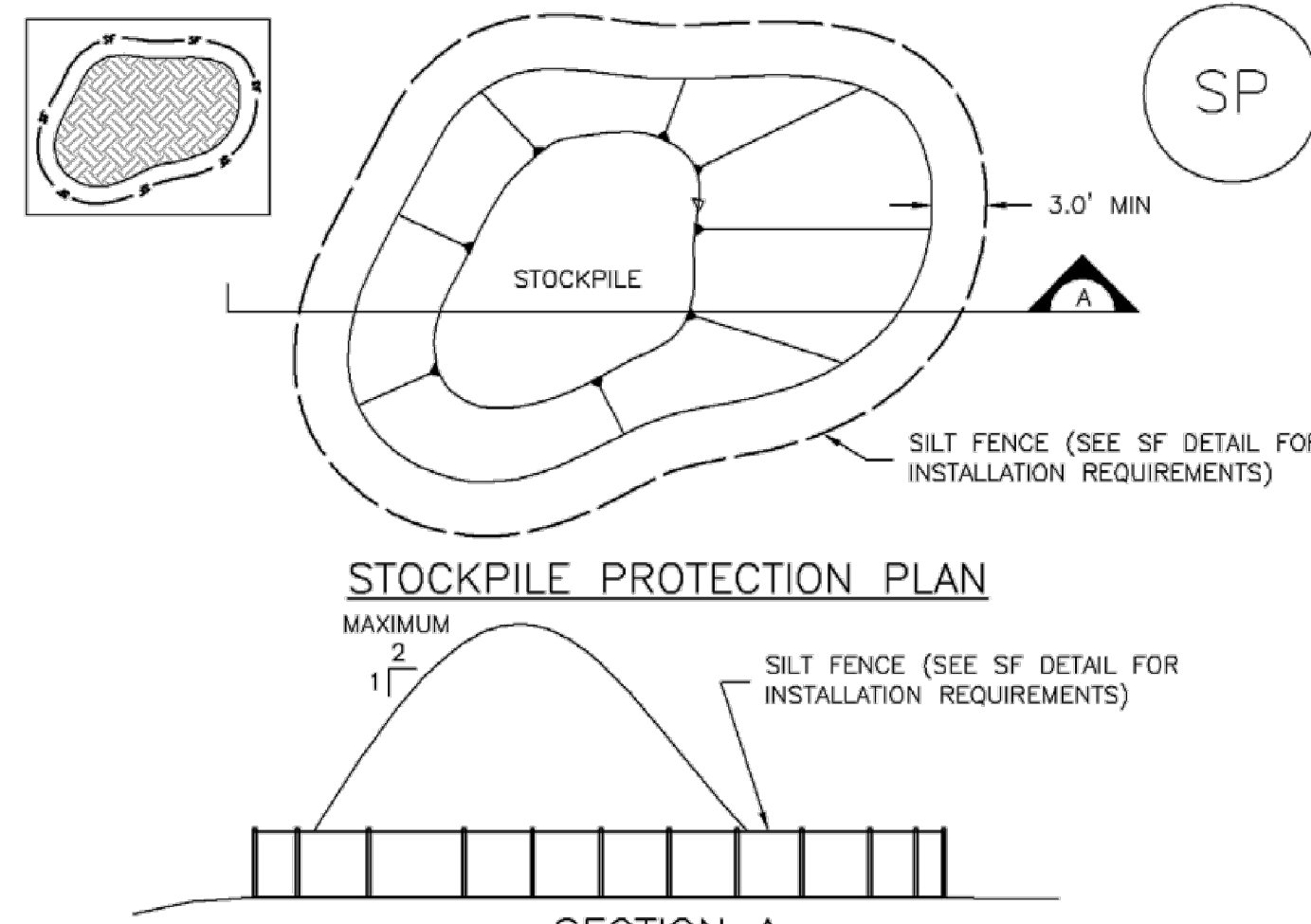
**SM-6**

**SC-8**

**Sediment Trap (ST)**

**Sediment Trap (ST)**

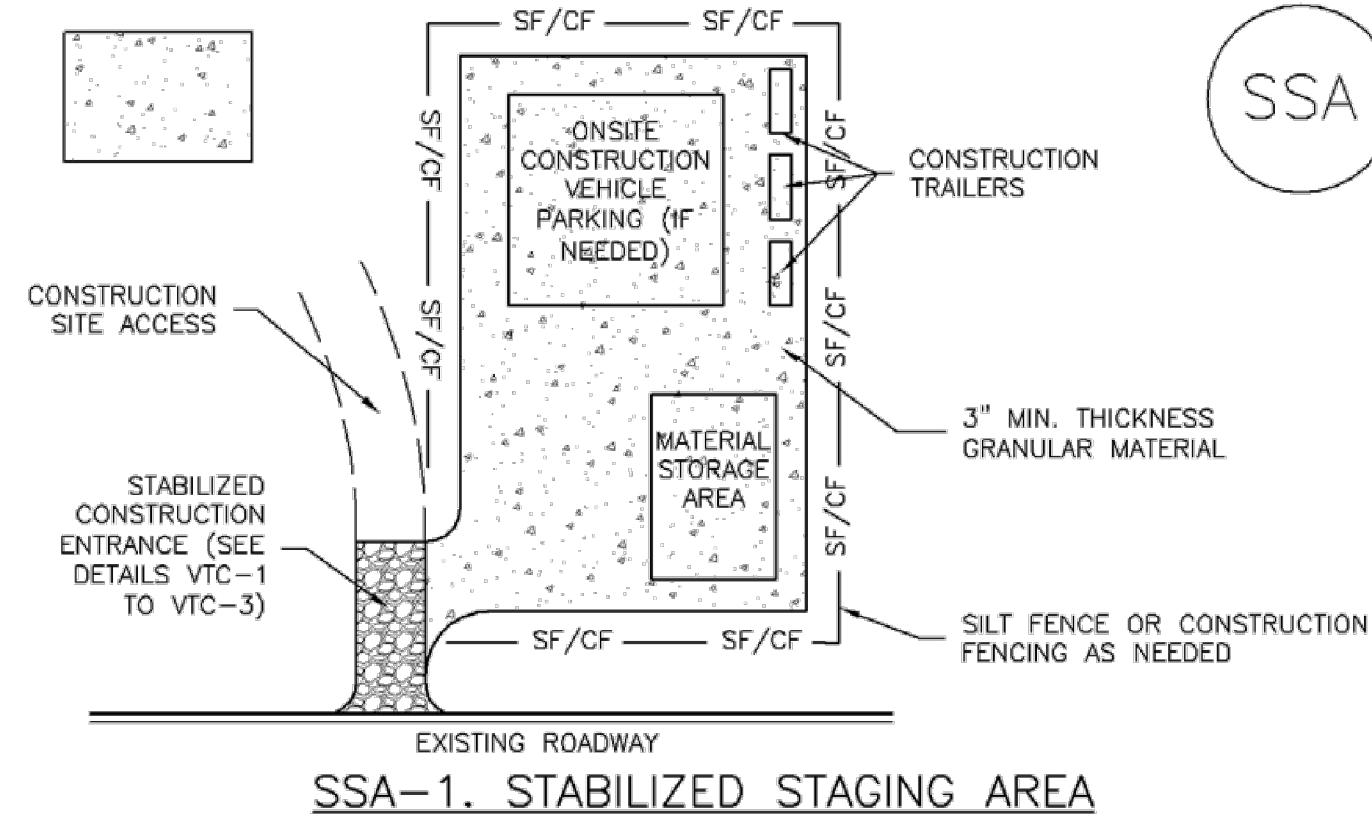
**SC-8**



**SP-1. STOCKPILE PROTECTION**

**STOCKPILE PROTECTION INSTALLATION NOTES**

- SEE PLAN VIEW FOR:
  - LOCATION OF STOCKPILES.
  - TYPE OF STOCKPILE PROTECTION.
- INSTALL PERIMETER CONTROLS IN ACCORDANCE WITH THEIR RESPECTIVE DESIGN DETAILS. SILT FENCE IS SHOWN IN THE STOCKPILE PROTECTION DETAILS; HOWEVER, OTHER TYPES OF PERIMETER CONTROLS INCLUDING SEDIMENT CONTROL LOGS OR ROCK SOCKS MAY BE SUITABLE IN SOME CIRCUMSTANCES. CONSIDERATIONS FOR DETERMINING THE APPROPRIATE TYPE OF PERIMETER CONTROL FOR A STOCKPILE INCLUDE WHETHER THE STOCKPILE IS LOCATED ON A PERVIOUS OR IMPERVIOUS SURFACE, THE RELATIVE HEIGHTS OF THE PERIMETER CONTROL AND STOCKPILE, THE ABILITY OF THE PERIMETER CONTROL TO CONTAIN THE STOCKPILE WITHOUT FAILING IN THE EVENT THAT MATERIAL FROM THE STOCKPILE SHIFTS OR SLUMPS AGAINST THE PERIMETER, AND OTHER FACTORS.
- STABILIZE THE STOCKPILE SURFACE WITH SURFACE ROUGHENING, TEMPORARY SEEDING AND MULCHING, EROSION CONTROL BLANKETS, OR SOIL BINDERS. SOILS STOCKPILED FOR AN EXTENDED PERIOD (TYPICALLY FOR MORE THAN 60 DAYS) SHOULD BE SEEDED AND MULCHED WITH A TEMPORARY GRASS COVER ONCE THE STOCKPILE IS PLACED (TYPICALLY WITHIN 14 DAYS). USE OF MULCH ONLY OR A SOIL BINDER IS ACCEPTABLE IF THE STOCKPILE WILL BE IN PLACE FOR A MORE LIMITED TIME PERIOD (TYPICALLY 30-60 DAYS).
- FOR TEMPORARY STOCKPILES ON THE INTERIOR PORTION OF A CONSTRUCTION SITE, WHERE OTHER DOWNGRADIENT CONTROLS, INCLUDING PERIMETER CONTROL, ARE IN PLACE, STOCKPILE PERIMETER CONTROLS MAY NOT BE REQUIRED.

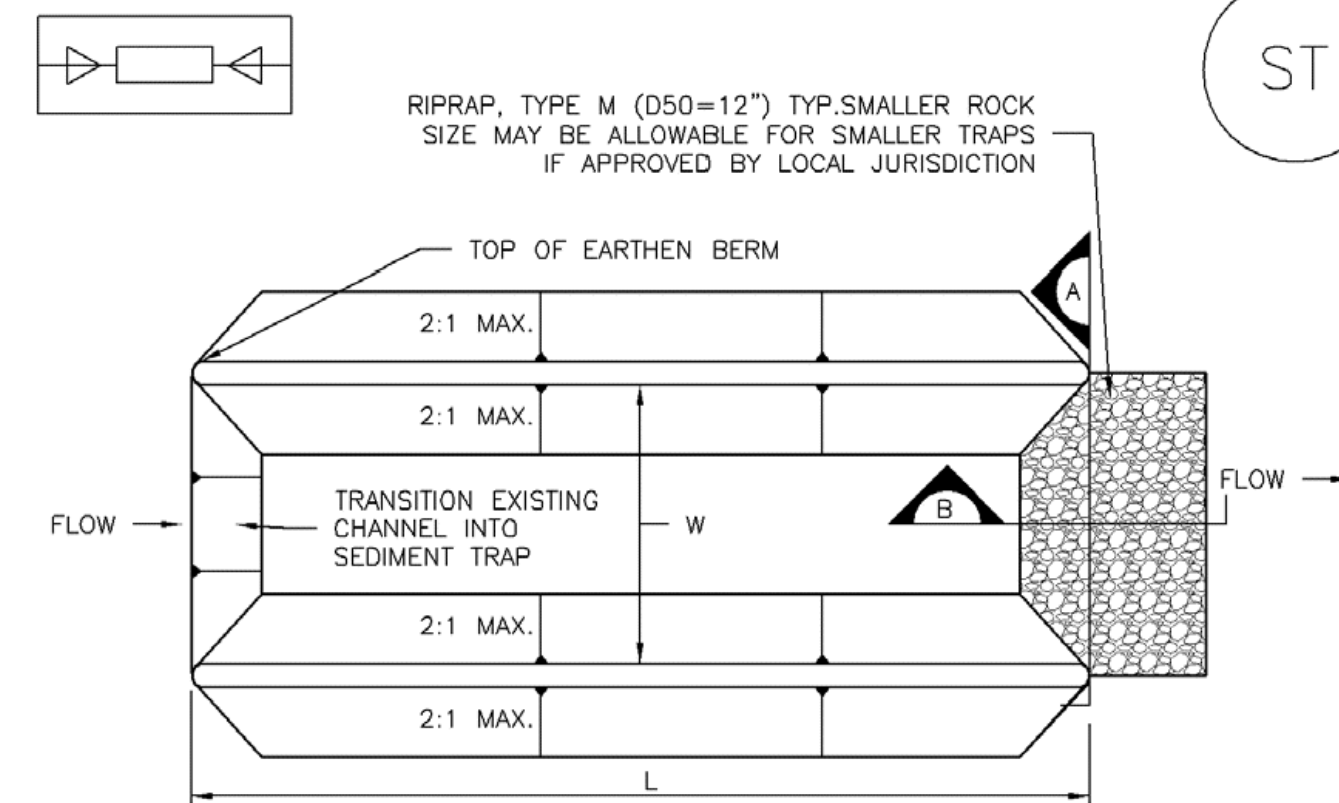


**STABILIZED STAGING AREA INSTALLATION NOTES**

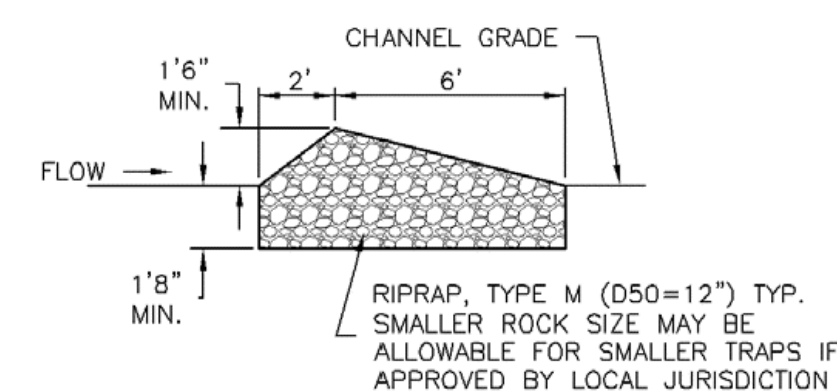
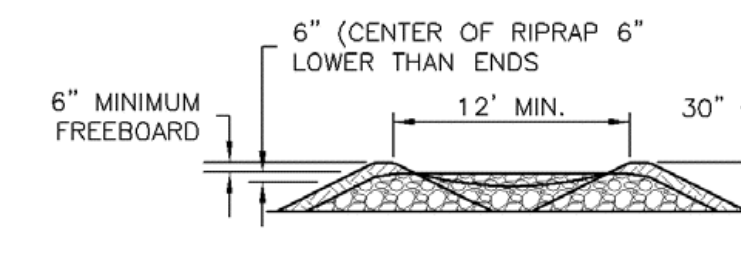
- SEE PLAN VIEW FOR:
  - LOCATION OF STAGING AREA(S).
  - CONTRACTOR MAY ADJUST LOCATION AND SIZE OF STAGING AREA WITH APPROVAL FROM THE LOCAL JURISDICTION.
- STABILIZED STAGING AREA SHOULD BE APPROPRIATE FOR THE NEEDS OF THE SITE. OVERSIZING RESULTS IN A LARGER AREA TO STABILIZE FOLLOWING CONSTRUCTION.
- STAGING AREA SHALL BE STABILIZED PRIOR TO OTHER OPERATIONS ON THE SITE.
- THE STABILIZED STAGING AREA SHALL CONSIST OF A MINIMUM 3" THICK GRANULAR MATERIAL.
- UNLESS OTHERWISE SPECIFIED BY LOCAL JURISDICTION, ROCK SHALL CONSIST OF DOT SECT. #703, AASHTO #3 COARSE AGGREGATE OR 6" (MINUS) ROCK.
- ADDITIONAL PERIMETER BMPs MAY BE REQUIRED INCLUDING BUT NOT LIMITED TO SILT FENCE AND CONSTRUCTION FENCING.

**STABILIZED STAGING AREA MAINTENANCE NOTES**

- INSPECT BMPs EACH WORKDAY, AND MAINTAIN THEM IN EFFECTIVE OPERATING CONDITION. MAINTENANCE OF BMPs SHOULD BE PROACTIVE, NOT REACTIVE. INSPECT BMPs AS SOON AS POSSIBLE (AND ALWAYS WITHIN 24 HOURS) FOLLOWING A STORM THAT CAUSES SURFACE EROSION, AND PERFORM NECESSARY MAINTENANCE.
- FREQUENT OBSERVATIONS AND MAINTENANCE ARE NECESSARY TO MAINTAIN BMPs IN EFFECTIVE OPERATING CONDITION. INSPECTIONS AND CORRECTIVE MEASURES SHOULD BE DOCUMENTED THOROUGHLY.
- WHERE BMPs HAVE FAILED, REPAIR OR REPLACEMENT SHOULD BE INITIATED UPON DISCOVERY OF THE FAILURE.
- ROCK SHALL BE REAPPLIED OR REGRADED AS NECESSARY IF RUTTING OCCURS OR UNDERLYING SUBGRADE BECOMES EXPOSED.



**SEDIMENT TRAP PLAN**



**SECTION B**  
**ST-1. SEDIMENT TRAP**

**SEDIMENT TRAP INSTALLATION NOTES**

- SEE PLAN VIEW FOR:
  - LOCATION, LENGTH AND WIDTH OF SEDIMENT TRAP.
- ONLY USE FOR DRAINAGE AREAS LESS THAN 1 ACRE.
- SEDIMENT TRAPS SHALL BE INSTALLED PRIOR TO ANY UPGRADIENT LAND-DISTURBING ACTIVITIES.
- SEDIMENT TRAP BERM SHALL BE CONSTRUCTED FROM MATERIAL FROM EXCAVATION. THE BERM SHALL BE COMPACTED TO 95% OF THE MAXIMUM DENSITY IN ACCORDANCE WITH ASTM D698.
- SEDIMENT TRAP OUTLET TO BE CONSTRUCTED OF RIPRAP, TYPE M (D50=12") TYP. SMALLER ROCK SIZE MAY BE ALLOWABLE FOR SMALLER TRAPS IF APPROVED BY LOCAL JURISDICTION.
- THE TOP OF THE EARTHEN BERM SHALL BE A MINIMUM OF 6" HIGHER THAN THE TOP OF THE RIPRAP OUTLET STRUCTURE.
- THE ENDS OF THE RIPRAP OUTLET STRUCTURE SHALL BE A MINIMUM OF 6" HIGHER THAN THE CENTER OF THE OUTLET STRUCTURE.

**SEDIMENT TRAP MAINTENANCE NOTES**

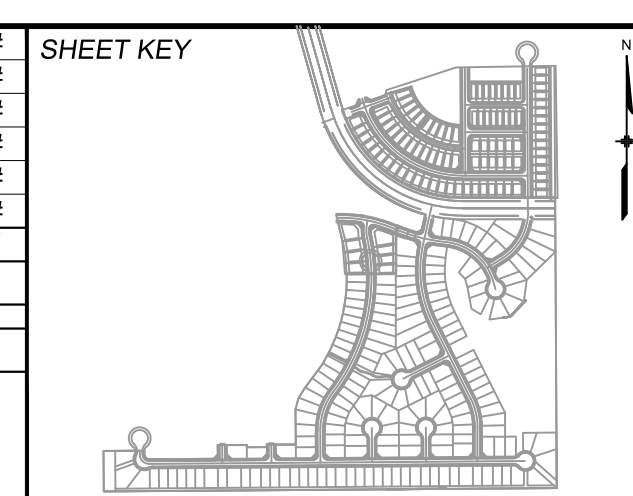
- INSPECT BMPs EACH WORKDAY, AND MAINTAIN THEM IN EFFECTIVE OPERATING CONDITION. MAINTENANCE OF BMPs SHOULD BE PROACTIVE, NOT REACTIVE. INSPECT BMPs AS SOON AS POSSIBLE (AND ALWAYS WITHIN 24 HOURS) FOLLOWING A STORM THAT CAUSES SURFACE EROSION, AND PERFORM NECESSARY MAINTENANCE.
  - FREQUENT OBSERVATIONS AND MAINTENANCE ARE NECESSARY TO MAINTAIN BMPs IN EFFECTIVE OPERATING CONDITION. INSPECTIONS AND CORRECTIVE MEASURES SHOULD BE DOCUMENTED THOROUGHLY.
  - WHERE BMPs HAVE FAILED, REPAIR OR REPLACEMENT SHOULD BE INITIATED UPON DISCOVERY OF THE FAILURE.
  - REMOVE SEDIMENT ACCUMULATED IN TRAP AS NEEDED TO MAINTAIN THE FUNCTIONALITY OF THE BMP, TYPICALLY WHEN THE SEDIMENT DEPTH REACHES 1/2 THE HEIGHT OF THE RIPRAP OUTLET.
  - SEDIMENT TRAPS SHALL REMAIN IN PLACE UNTIL THE UPSTREAM DISTURBED AREA IS STABILIZED AND APPROVED BY THE LOCAL JURISDICTION.
  - WHEN SEDIMENT TRAPS ARE REMOVED, THE DISTURBED AREA SHALL BE COVERED WITH TOPSOIL, SEEDED AND MULCHED OR OTHERWISE STABILIZED IN A MANNER APPROVED BY THE LOCAL JURISDICTION.
- (DETAILS ADAPTED FROM DOUGLAS COUNTY, COLORADO, NOT AVAILABLE IN AUTOCAD)
- NOTE: MANY JURISDICTIONS HAVE BMP DETAILS THAT VARY FROM UDFCD STANDARD DETAILS. CONSULT WITH LOCAL JURISDICTIONS AS TO WHICH DETAIL SHOULD BE USED WHEN DIFFERENCES ARE NOTED.

EPC 7/22/2021

REFERENCE DRAWINGS	NO.	DATE	DESCRIPTION	BY
###	###	###		###
###	###	###		###
###	###	###		###
###	###	###		###
###	###	###		###
No.	DATE		DESCRIPTION	BY
			REVISIONS	

**COMPUTER FILE MANAGEMENT**

FILE NAME: S:\19.886.014 (Trails at Aspen Ridge - F2)\100 Dwg\104 Plan Sets\Construction Plans\GEC Plan\ECN01.dwg  
 CTB FILE: ---  
 PLOT DATE: April 20, 2021 10:34:02 AM  
 THIS DRAWING IS CURRENT AS OF PLOT DATE AND MAY BE SUBJECT TO CHANGE.



**BENCHMARK**  
 COLORADO SPRINGS UTILITIES (FIMS) MONUMENT F206  
 A BERNTSEN TOP SECURITY MONUMENT SYSTEM WITH A 3.5-INCH DIAMETER ALUMINUM CAP IN A ROAD BOX, LOCATED ON THE NORTHWEST CORNER OF FONTAINE BOULEVARD AND POWERS BOULEVARD.  
 ELEVATION - 5897.89' U.S. SURVEY FT

**BASIS OF BEARING**  
 BEARINGS ARE BASED ON THE NORTH LINE OF THE NORTHWEST QUARTER OF SECTION 9, TOWNSHIP 15 SOUTH, RANGE 65 WEST OF THE 6TH P.M. SAID LINE BEARS S89°51'23"E FROM THE NORTHWEST CORNER OF SAID SECTION 9 (2 1/2" AULM. CAP PLS 17664) TO THE N 1/4 CORNER OF SAID SECTION 9 (3 1/2" AULM. CAP PLS 10377)



<b>TRAILS AT ASPEN RIDGE</b>					
FILING NO. 2					
FINAL GRADING & EROSION CONTROL PLANS					
<b>EROSION CONTROL DETAILS</b>					
DESIGNED BY:	NMS	SCALE:	DATE ISSUED:	APRIL 2021	DRAWING No.
DRAWN BY:	CRD	HORIZ:	N/A	9 OF 9	ECN03
CHECKED BY:	NMS	VERT.:	N/A		