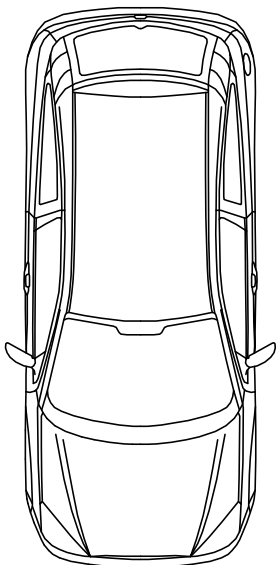
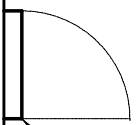


37'-6"

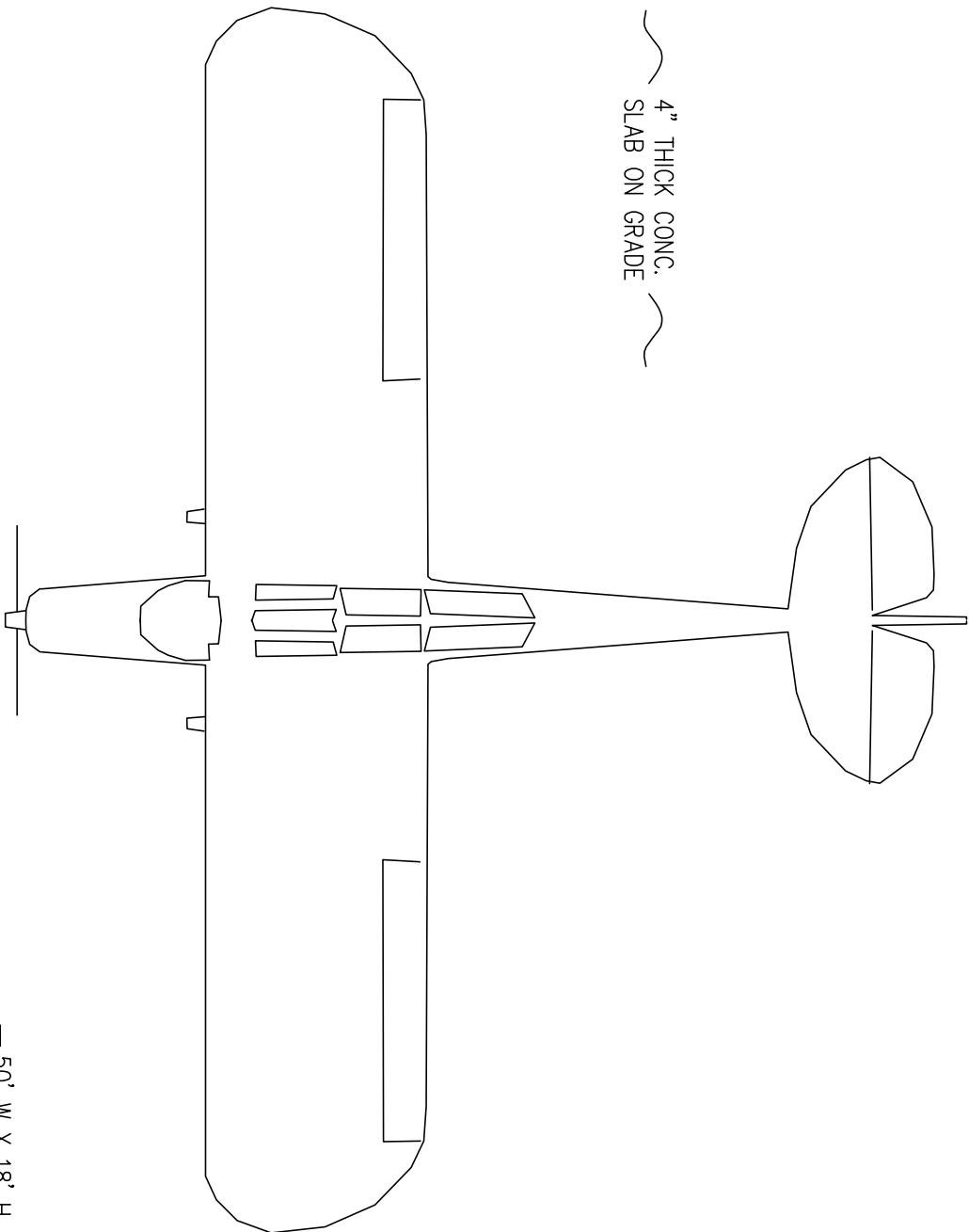
14' W X 16' H
OVERHEAD DOOR



3068 MAN DOOR



4" THICK CONC.
SLAB ON GRADE



PRE-ENGINEERED
METAL BUILDING

68'-0"

FLOOR PLAN
3/16"=1'-0"

LEGAL DESCRIPTION
LOT 1 MEADOW LAKE AIRPORT FTL NO 10
8136 CESSNA DR., PEYTON, CO 80831
(PARCEL NO. 430402102)



IF THIS BAR DOES NOT MEASURE 1'
DRAWING IS NOT TO LABELD SCALE

**TOM SHAFFER
HANGAR STORAGE FACILITY**

FLOOR PLAN

PN: 19-1

DATE: AUG 2019

CHECKED BY: JJS

FOR REVIEW

CCP, LLC
14255 JUDGE ORR RD, PEYTON, CO 80831

SHEET NO.
A-0