

**GRADING, EROSION AND STORMWATER  
QUALITY CONTROL PLAN**

for

**LATIGO TRAILS FILING No. 10**

Eastonville Road  
El Paso County, Colorado

November 2024  
PCD File No.: SF2421

Prepared For:

**BRJM, LLC**

101 N. Cascade, Suite 200  
Colorado Springs, CO 80903  
(719) 475-7474

Qualified Stormwater Manager:

**TBD**

Prepared by:

**Drexel, Barrell & Co.**

101 Sahwatch St. #100  
Colorado Springs, CO 80903  
Contact: Tim McConnell, P.E.  
(719) 260-0887

Contractor:

**TBD**

**GRADING, EROSION AND STORMWATER QUALITY CONTROL PLAN  
LATIGO TRAILS FILING No. 10**

**TABLE OF CONTENTS**

<b>1.0</b>	<b>STORMWATER QUALITY STATEMENT &amp; OBJECTIVES .....</b>	<b>2</b>
<b>2.0</b>	<b>SITE DESCRIPTION .....</b>	<b>3</b>
2.1	DESCRIPTION OF CONSTRUCTION ACTIVITIES .....	3
2.2	EXISTING SITE CONDITIONS .....	3
2.3	ADJACENT AREAS .....	3
2.4	SOILS .....	3
2.5	AREAS AND VOLUME STATEMENT .....	4
2.6	CONTROLS AND MEASURES DURING CONSTRUCTION .....	4
2.7	POTENTIAL POLLUTION SOURCES .....	6
2.8	NON-STORMWATER DISCHARGES .....	7
2.9	RECEIVING WATER.....	7
<b>3.0</b>	<b>SITE MAP .....</b>	<b>7</b>
<b>4.0</b>	<b>BMP's FOR STORMWATER POLLUTION PREVENTION .....</b>	<b>8</b>
4.1	EROSION CONTROL – STRUCTURAL PRACTICES .....	8
4.2	EROSION CONTROL – NON-STRUCTURAL PRACTICES .....	9
4.3	MATERIALS HANDLING & SPILL PREVENTION.....	10
4.4	DEDICATED CONCRETE OR ASPHALT BATCH PLANTS .....	11
4.5	GROUNDWATER & STORMWATER DEWATERING .....	11
<b>5.0</b>	<b>TIMING SCHEDULE .....</b>	<b>11</b>
<b>6.0</b>	<b>FINAL STABILIZATION AND LONG-TERM STORMWATER MANAGEMENT .....</b>	<b>11</b>
<b>7.0</b>	<b>INSPECTION AND MAINTENANCE .....</b>	<b>12</b>
<b>8.0</b>	<b>REFERENCES .....</b>	<b>13</b>

**APPENDIX**

**VICINITY MAP**

**SOILS INFORMATION**

**SITE MAP**

## 1.0 STORMWATER QUALITY STATEMENT & OBJECTIVES

Stormwater quality best management practices shall be implemented to minimize soil erosion, sedimentation, increased pollutant loads and changed water flow characteristics resulting from land disturbing activity, to the maximum extent practicable, so as to minimize pollution of receiving waters.

Per Appendix A of the Colorado Department of Health, Water Quality Control Division's (the Division) "General Permit Application for Stormwater Discharge Associated with Construction Activities", the goal of the Stormwater Management Plan (SWMP) is:

"To identify possible pollutant sources that may contribute pollutants to stormwater, and identify Best Management Practices (BMPs) that, when implemented, will reduce or eliminate any possible water quality impacts. The SWMP must be completed and implemented at the time the project breaks ground, and revised if necessary as construction proceeds to accurately reflect the conditions and practices at the site."

This document is not intended to address training, site specific operational procedures, logistics, or other "means and methods" required to construct this project.

This document must be kept at the construction site at all times. Inspections are to be made at least every 14 days and after any precipitation event. El Paso County requires that the inspector be contacted 48 hours prior to initial and final inspections. An inspection log entry shall be completed with each inspection performed. The inspection log shall be kept with the SWMP. The conditions of the SWMP and General Permit for Stormwater Discharges associated with the construction activity will remain in effect until final stabilization is achieved, and a notice of inactivation is sent to CDPHE Stormwater Quality Division. All pertinent records must be kept for at least 3 years from the date the site is stabilized.

Drexel, Barrell & Co. has been retained to provide civil engineering services for the design of this project. Drexel, Barrell & Co. is not responsible for implementation and maintenance of the Stormwater Management Plan.

## **2.0 SITE DESCRIPTION**

### **2.1 DESCRIPTION OF CONSTRUCTION ACTIVITIES**

The project involves the development of Latigo Trails Filing No. 10 in El Paso County, CO, a large lot residential subdivision. The proposed development consists of approximately 125.6 acres in total. The site work will include grading, utility and drainage infrastructure, and roadway construction as is consistent with a large-lot residential subdivision. The area to be disturbed is approximately 20.87 acres. The area of disturbance is required to be updated by the Contractor on the SWMP as changes occur.

### **2.2 EXISTING SITE CONDITIONS**

The majority of the 125-acre site is currently an undeveloped property and is entirely covered by native grass and vegetation, as determined by visual inspection. It slopes at varying degrees to the southeast, across the site. There is an existing Extended Detention Basin located in southwest corner of the site which is used primarily for collecting runoff from earlier Filings of this subdivision to the northwest. Runoff exits the site through a few areas, either sheet flowing to the south or being captured by an existing storm sewer and traveling underneath Eastonville Road to the east. There are no stream crossings present within the project area.

### **2.3 ADJACENT AREAS**

The site is bound on the east by Eastonville Road, on the south by 2 undeveloped properties, on the west by Buffalo River Trail Way and a portion of Latigo Trails Filing No. 11, and on the north by both Latigo Trails Filing No. 7A, 11 and 12. Latigo Trails Filing No. 7A is a residential development while 11 and 12 will remain undeveloped for the duration of this development. All the construction activities are to take place on the site. The surrounding areas should not be affected by the land disturbing and stabilization activities.

### **2.4 SOILS**

From the Natural Resources Conservation Service (NRCS), the soils on the site as mapped by the Soil Conservation Service (SCS) are entirely made up of the Stapleton sandy loam, which is a hydrologic soil group B soil. This soil has a moderate erosion potential. Hydrologic Soil Group B soils have a moderate infiltration rate when thoroughly wet.



These consist mainly of deep to moderately deep, well drained to moderately well drained soils with moderately fine to moderately coarse textures. These soils have a moderate rate of water transmission. Potential effects of soil erosion include compaction, loss of soil structure, nutrient degradation, soil salinity and increased sediment load downstream.

## 2.5 AREAS AND VOLUME STATEMENT

The project site consists of approximately 125.6 acres. Unadjusted overlot earthwork volumes within the construction site are approximately 16,000 CY of cut and 7,000 cy of fill.

## 2.6 CONTROLS AND MEASURES DURING CONSTRUCTION

Stabilization activities are anticipated to begin in the spring of 2025. A construction schedule will be prepared by the contractor prior to land disturbing activities. Installation of stabilization measures will be completed in one phase. The general sequence of major construction activities is as follows:

1. Temporary Erosion Control Measures – Temporary erosion control measures, such as silt fence and construction of the vehicle tracking pad and staging area will be completed prior to any other large scale activity. The vehicle tracking pad will ensure a reduction of tracking of soil on and off the construction site. The staging area will house the materials, petroleum product storage (if any), trash dumpster, sanitary facilities and hazardous spill clean-up areas. These are all potential pollutants that are not sediment related.
2. Trash and Debris Removal – Existing trash and debris shall be removed from the site and hauled to designated receiving facility.
3. Site Clearing – The area to be disturbed for construction will be cleared and grubbed, as necessary to the perimeter of erosion control. The sequence of the areas to be cleared and grubbed are subject to the contractor's means and methods of construction of the site; however, the general plan is to work towards where the vehicle tracking pads are located in order to eliminate backtracking over areas that have already been completed.

4. Overlot Grading – Overlot grading will occur to bring the site to the proposed sub-grade elevations in paved areas, and to finished grade elevations in the landscape and detention areas. Spoils from the site will be removed from the site and hauled to a designated receiving facility or location.
5. Utility Installation – Utility installation will consist of water, electric, and telephone and natural gas service lines. Storm culverts will also be installed. Utility locations will be obtained prior to commencement of construction activities.
6. Final Grading – The site will be brought to final elevations with the installation of the proposed paving and final blending to existing grades on the perimeter of the improvement area.
7. Permanent Re-vegetation – Erosion control blanket will be installed at all areas graded to a 3:1 slope and greater. Areas not paved will be re-vegetated and/or landscaped by the contractor or owner on an as-needed basis. Vegetation and stabilization of soil will aid in the trapping of sediment and reducing soil erosion.
8. Removal of Temporary BMP's – Temporary erosion control measures may be removed once the site has achieved final 70 percent of pre disturbance levels and vegetation cover is capable of reducing soil erosion. All permanent BMPs shall be cleaned and functioning before any temporary BMPs are removed.
9. Housekeeping – The best BMP for a job site is good housekeeping around the site. Routine site trash pickup and routine BMP inspection and maintenance are paramount for keeping a job site clean and tidy. All petroleum storage areas in the staging area should be checked daily for leaks. Any leaks shall be reported to the site foreman for clean up. All personnel on site for both the contractor and subcontractors should be briefed on spill cleanup and containment procedures. Employees shall also be briefed as to where the spill cleanup materials can be found if a spill should occur. The spill plan shall be produced by the general contractor for the project and remain onsite for the duration of the project.

Contractor shall coordinate with the County to obtain the necessary contacts in the case that a spill occurs.

This project does not rely on control measures owned or operated by another entity.

## 2.7 POTENTIAL POLLUTION SOURCES

Any substances with the potential to contaminate either the ground or ground surface water shall be cleaned up immediately following discovery, or contained until appropriate cleanup methods can be employed. Manufacturer's recommended methods for cleanup shall be followed, along with proper disposal methods. All waste and debris created by construction at the site or removed from the site shall be disposed of in accordance with all laws, regulations and ordinances of the Federal, State and local agencies. The following is a summary of potential pollution sources and their associated measures intended to minimize the risk of pollution for this project.

- 1) Disturbed and stored soils: Straw wattles/fiber rolls, straw bale check dams and gravel bag check dams.
- 2) Vehicle tracking and sediments: VTC and Street Sweeping
- 3) Vehicle and equipment maintenance and fueling: Spill prevention procedures.
- 4) Dust or particulate generation from earthmoving activities and vehicle movement: water trucks for site watering.
- 5) On site waste management of solid wastes (construction debris): Waste container placement, covering and disposal.
- 6) Worker trash and portable toilets: Container placement, covering and disposal.
- 7) Equipment repair or maintenance beyond normal fueling operations: Spill prevention procedures.

The following items are not anticipated to be potential pollution sources for this project:

- 1) Management of contaminated soils.
- 2) Outdoor storage of fertilizers, chemicals or potentially polluting construction material.
- 3) Dedicated asphalt or concrete batch plants.

## 2.8 NON-STORMWATER DISCHARGES

Non-stormwater discharges possibly encountered during construction may include: watering down of the site to minimize dust, construction staging area, and excess dirt storage during high winds to minimize wind erosion and water utilized in soil compaction efforts.

## 2.9 RECEIVING WATER

Runoff generated by the proposed project will generally be conveyed to one of the three onsite detention ponds prior to discharging offsite at historical rates, or directly discharge offsite (in accordance with ECM criteria). Runoff will ultimately reach Gieck Ranch Creek to the southeast.

## 3.0 SITE MAP

Attached as part of this plan is a Site Map (See Appendix C). The drawing identifies the following:

- 1) Project area boundary
- 2) Area used for staging area
- 3) Location of erosion control facilities or structures (BMP's)
- 4) Boundaries of 100-year floodplains (if applicable)

The following items may not be indicated on the attached drawings, but will be determined by the individual contractors prior to and during construction activities:

- 1) Areas used for storage of construction materials, soils, or wastes

- 2) Location of portable toilets and waste receptacles (required to be a minimum of 50 feet from state waters. They shall be adequately staked and cleaned on a weekly basis. They will be inspected daily for spills).
- 3) Location of additional BMP's that may become necessary as work progresses

These items shall be added to the Site Map by the Contractor.

#### **4.0 BMP's FOR STORMWATER POLLUTION PREVENTION**

Best management practices (BMPs) used throughout the site shall include: surface roughening, silt fence, inlet protection, vehicle tracking control, temporary sediment basins, straw bale check dams, mulching and reseeding and concrete washout.

##### **4.1 EROSION CONTROL – STRUCTURAL PRACTICES**

A list of the Structural BMP's for erosion and sediment control implemented on the site to minimize erosion and sediment are as follows. Refer to the SWMP Drawings for installation and maintenance requirements and location for each structural BMP.

- a) Concrete Washout Area (CWA): A shallow excavation with a small perimeter berm to isolate concrete truck washout operations.
- b) Erosion Control Blanket (ECB): Slopes steeper than or equal to 3 (horizontal) to 1 (vertical) shall be protected with an erosion control blanket.
- c) Inlet Protection (IP): Installed to filter stormwater before entering any watercourses.
- d) Temporary Sediment Basin (TSB): An impoundment that captures sediment laden runoff and releases it slowly, providing prolonged settling times to capture coarse and fine grained soil particles.
- e) Straw Bale Check Dams (CD): Consists of straw bales designed to form a semi-porous filter able to withstand overtopping.
- f) Seeding and Mulching (SM): Temporary seeding and mulching can be used to stabilize disturbed areas that will be inactive for an extended period of time. Permanent seeding should be used to stabilize areas at final grade that will not otherwise be stabilized.

- g) Silt Fence (SF): A temporary sediment barrier constructed of woven fabric stretched across supporting posts.
- h) Stabilized Staging Area (SSA): Consists of stripping the topsoil and spreading a layer of granular material in the area to be used for a trailer, parking, storage, unloading and loading.
- i) Temporary Stockpile Areas (SP): Temporary stockpiles of excess excavated material and stockpiles for imported materials. Slopes shall not be steeper than 3 to 1.
- j) Vehicle Tracking Control (VTC): Consists of a rock pad that is intended to help strip mud from tires prior to vehicles leaving the construction site. Installed at all entrance/exit points to the site. The number of access points shall be minimized.
- k) Full-spectrum Extended Detention Basin: There is an existing EDB on site, in the southeast corner of the site, that is designed to capture the flows produced by a rainfall event, then provide water quality before slowly releasing the flows to historic drainage paths. Three other detention basins are proposed for the site, which will provide the same treatment as the existing facility.

Minimal clearing and grubbing may be necessary prior to installing the initial erosion control features.

No clearing, grading, excavation, filling or other land disturbing activities shall be permitted until signoff and acceptance of the Grading and Erosion Control Plan is received from the County.

Once signoff and acceptance is received the approved erosion and sediment control measures must be installed before land-disturbing activities are initiated so that no adverse effect of site alteration will impact surrounding property.

#### 4.2 EROSION CONTROL – NON-STRUCTURAL PRACTICES

Non-structural practices for erosion and sediment control to be used to minimize erosion and sediment transport are:

- a) Seeding and mulching and landscape installation in areas that will not be hard surfaced, while minimizing the amount of vegetation to be removed during construction, leaving native vegetation in place when possible.
- b) Street sweeping around the construction site and disturbed roadways will be utilized when tracking of mud occurs on paved streets. The sweeping will be required after any significant tracking has occurred; significant meaning any visible amount that cannot be completely cleaned by hand. The adjacent offsite paved drive surfaces will be cleaned at the end of each day of construction activities. Sweeping efforts will continue as necessary until construction operations are completed.

#### 4.3 MATERIALS HANDLING & SPILL PREVENTION

The SWMP administrator will inspect daily to ensure proper use and disposal of materials on site including building materials, paints, solvents, fertilizers, chemicals, waste materials and equipment maintenance or fueling procedures. All materials stored onsite will be stored in a neat and orderly manner in the original containers with the original manufacturer's label, and if possible under a roof or other enclosure to prevent contact with stormwater. Chemicals should be stored within berms or other secondary containment devices to prevent leaks and spills from contacting stormwater runoff. Before disposing of the container, all of a product will be used up whenever possible and manufacturer's recommendations for proper disposal will be followed according to state and local regulations.

Material and equipment necessary for spill cleanup will be kept in the material storage area on site. Manufacturer's recommendations for spill cleanup will be posted and site personnel will be made aware of the procedures along with the location of the information and cleanup supplies.

The contractor shall have spill prevention and response procedures that include the following:

- a) Notification procedures to be used in the event of an accident. At the very least, the SWMP administrator should be notified. Depending on the nature of the spill and the material involved, the Colorado Department of Public Health and

Environment (24-hour spill reporting line (877) 518-5608), downstream water users or other agencies may also need to be informed.

- b) Instructions for clean up procedures and identification of spill kit location(s).
- c) Provisions for absorbents to be made available for use in fuel areas and for containers to be available for used absorbents.
- d) Procedures for properly washing out concrete truck chutes and other equipment in a manner and location so that the materials and wash water cannot discharge from the site and never into a storm drain system or stream.

#### 4.4 DEDICATED CONCRETE OR ASPHALT BATCH PLANTS

No dedicated concrete or asphalt batch plants will be used.

#### 4.5 GROUNDWATER & STORMWATER DEWATERING

In the event that groundwater is encountered or stormwater enters an excavation and dewatering is necessary, a separate CDPHE construction discharge (dewatering) permit will be required for groundwater dewatering and shall be obtained by the SWMP administrator. During groundwater or stormwater dewatering, locations and practices to be implemented to control stormwater pollution from excavations, etc., must be noted on the SWMP. Construction dewatering cannot be discharged to surface water or to storm sewer systems without separate permit coverage. The discharge of Construction Dewatering water to the ground, under specific conditions, may be allowed by the Stormwater Construction Permit when appropriate BMP's are implemented. Refer to USDCM Volume III (UDFCD) for County acceptable means of dewatering.

### 5.0 TIMING SCHEDULE

The project is anticipated to begin construction in the spring of 2025 and construction to be completed by summer of 2026. Final stabilization is anticipated to be completed by the fall of 2027. The contractor shall be responsible for producing a schedule that will show at a minimum: start and completion times including site grading operations, utility construction and the removal of the temporary erosion and sediment control measures.

### 6.0 FINAL STABILIZATION AND LONG-TERM STORMWATER MANAGEMENT

Final stabilization shall not be considered complete until 70% of new vegetated cover is established on areas not to be hard-surfaced. Temporary sediment and erosion control



measures listed in Section 4.0 installed prior to the construction phase will remain in place until this time. Any sediment that collects within the site's drainage system is considered unstabilized soil and must be removed prior to the site being considered finally stabilized.

At final stabilization, stormwater pollutants will be controlled by on site landscaping and by the 4 detention and water quality facilities located within the site.

The contractor will be responsible for any re-excavation of sediment and debris that collect in the detention facilities and are required to ensure that the basin meets the design grades following construction.

## **7.0 INSPECTION AND MAINTENANCE**

A site inspection of all erosion control facilities will be conducted by the Qualified Stormwater Manager every 14 days and within 24 hours after every precipitation event or snowmelt event that causes surface erosion. The entrance to the construction site shall be inspected daily and existing street cleaned, as necessary, of all materials tracked out of the site.

The construction site perimeter, disturbed areas, and areas used for material storage that are exposed to precipitation shall be inspected for evidence of, or the potential for, pollutants entering the drainage system. Erosion and sediment control measures identified in the SWMP shall be observed to ensure that they are operating correctly.

All temporary and permanent erosion and sediment control facilities shall be maintained and repaired per manufacturer's specifications to assure continued performance of their intended function. Repairs should be completed within 24 to 48 hours. Silt fences may require periodic replacement.

Based on the results of the inspection, the description of potential pollutant sources and the pollution prevention and control measures that are identified in this plan shall be revised and modified as appropriate as soon as practicable after such inspection. Modification to control measures shall be implemented in a timely manner, but in no case more than seven (7) calendar days after the inspection.

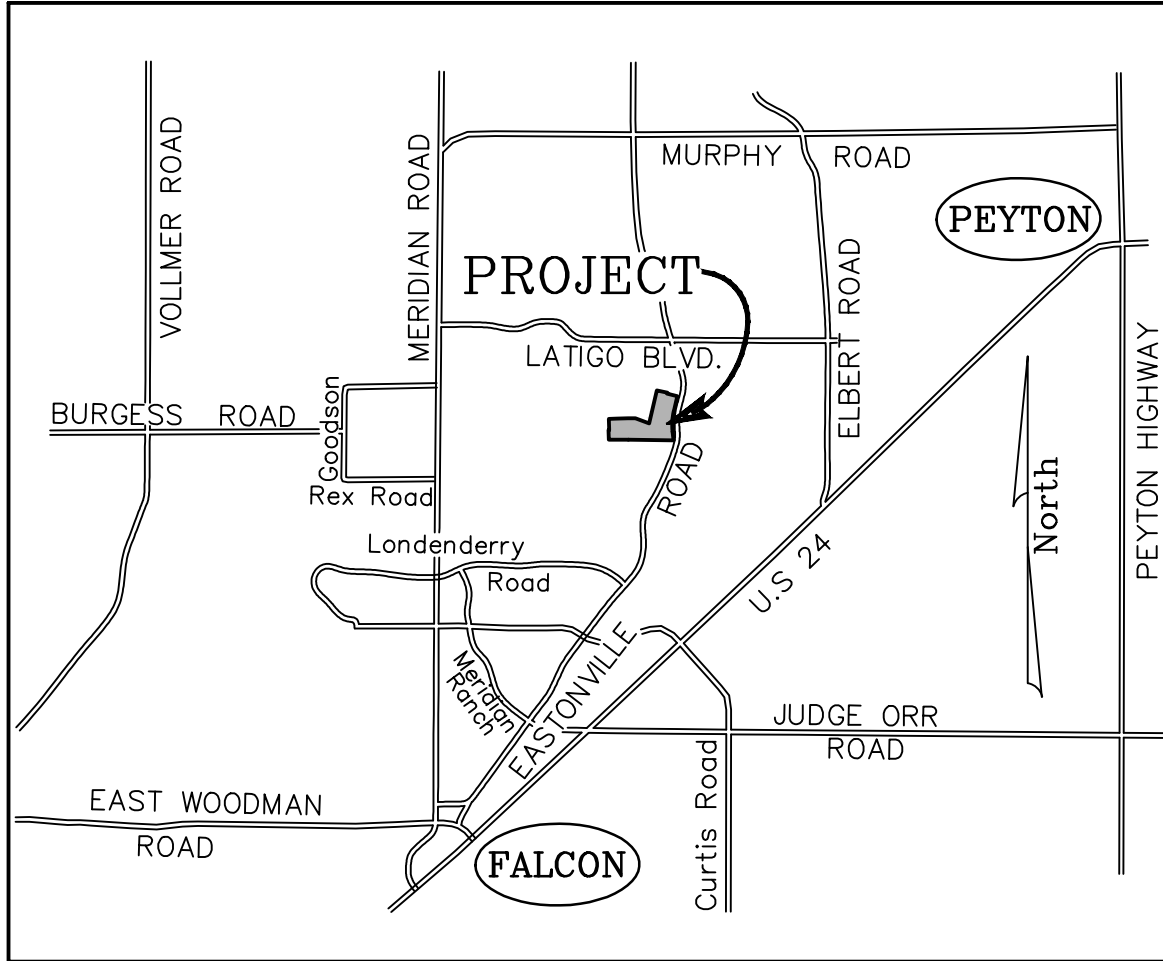
The Qualified Stormwater Manager shall be responsible for documenting inspections, maintaining records and signing the inspection logs. Uncontrolled releases of mud or muddy water or measurable quantities of sediment found off the site shall be recorded with a brief explanation as to the measures taken to prevent future releases as well as any measure taken to clean up the sediment that has left the site. All signed inspection record/logs should be kept on site and made available to the El Paso County or CDPHE personnel upon request. Per ECM Appendix I.5, all inspections will be performed by the Qualified Stormwater Manager. The Qualified Stormwater Manager shall have documentation of their credentials (PE, certified erosion control inspector/specialist, certified in a City-approved inspection training program, etc.), which will be provided and attached to the SWMP once the Qualified Stormwater Manager has been determined.

The inspection logs shall be kept with the SWMP onsite (the exact location is TBD). This document is to be viewed as a "living document" and shall be updated regularly and kept currently accurate. It is to be revised and maintained in order to evaluate and manage the ongoing stormwater quality issues at the site. The Qualified Stormwater Manager shall amend the SWMP when there is a change in design, construction, operation or maintenance of the site which would require the implementation of new or revised BMPs or if this document proves to be ineffective in achieving the general objectives of controlling pollutants in stormwater discharges associated with construction activity of when BMPs are no longer necessary and are removed.

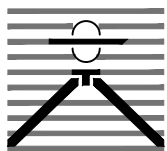
## **8.0 REFERENCES**

- [1] General Permit Application and Stormwater Management Plan Preparation Guidance for Stormwater Discharges Associated with Construction Activities. Prepared by the Colorado Department of Health, Water Quality Control Division. Revised 7/2009.
- [2] City of Colorado Springs– Drainage Criteria Manual, Volume 2 “Stormwater Quality Procedures and Best Management Practices (BMPs). November 1, 2002, amended August 10, 2010.
- [3] NRCS Web Soil Survey, [www.websoilsurvey.nrcs.usda.gov](http://www.websoilsurvey.nrcs.usda.gov)

**APPENDIX**



*Vicinity Map*  
Not to scale



**LATIGO TRAILS FILING NO. 10  
VICINITY MAP**

**Drexel, Barrell & Co.**  
Engineers • Surveyors

DATE:

DWG. NO.

JOB NO:

**21820-01CSCV**

**VMAP**

SHEET 1 OF 1



United States  
Department of  
Agriculture

**NRCS**

Natural  
Resources  
Conservation  
Service

A product of the National  
Cooperative Soil Survey,  
a joint effort of the United  
States Department of  
Agriculture and other  
Federal agencies, State  
agencies including the  
Agricultural Experiment  
Stations, and local  
participants

# Custom Soil Resource Report for El Paso County Area, Colorado



# Preface

---

Soil surveys contain information that affects land use planning in survey areas. They highlight soil limitations that affect various land uses and provide information about the properties of the soils in the survey areas. Soil surveys are designed for many different users, including farmers, ranchers, foresters, agronomists, urban planners, community officials, engineers, developers, builders, and home buyers. Also, conservationists, teachers, students, and specialists in recreation, waste disposal, and pollution control can use the surveys to help them understand, protect, or enhance the environment.

Various land use regulations of Federal, State, and local governments may impose special restrictions on land use or land treatment. Soil surveys identify soil properties that are used in making various land use or land treatment decisions. The information is intended to help the land users identify and reduce the effects of soil limitations on various land uses. The landowner or user is responsible for identifying and complying with existing laws and regulations.

Although soil survey information can be used for general farm, local, and wider area planning, onsite investigation is needed to supplement this information in some cases. Examples include soil quality assessments (<http://www.nrcs.usda.gov/wps/portal/nrcs/main/soils/health/>) and certain conservation and engineering applications. For more detailed information, contact your local USDA Service Center (<https://offices.sc.egov.usda.gov/locator/app?agency=nrcs>) or your NRCS State Soil Scientist ([http://www.nrcs.usda.gov/wps/portal/nrcs/detail/soils/contactus/?cid=nrcs142p2\\_053951](http://www.nrcs.usda.gov/wps/portal/nrcs/detail/soils/contactus/?cid=nrcs142p2_053951)).

Great differences in soil properties can occur within short distances. Some soils are seasonally wet or subject to flooding. Some are too unstable to be used as a foundation for buildings or roads. Clayey or wet soils are poorly suited to use as septic tank absorption fields. A high water table makes a soil poorly suited to basements or underground installations.

The National Cooperative Soil Survey is a joint effort of the United States Department of Agriculture and other Federal agencies, State agencies including the Agricultural Experiment Stations, and local agencies. The Natural Resources Conservation Service (NRCS) has leadership for the Federal part of the National Cooperative Soil Survey.

Information about soils is updated periodically. Updated information is available through the NRCS Web Soil Survey, the site for official soil survey information.

The U.S. Department of Agriculture (USDA) prohibits discrimination in all its programs and activities on the basis of race, color, national origin, age, disability, and where applicable, sex, marital status, familial status, parental status, religion, sexual orientation, genetic information, political beliefs, reprisal, or because all or a part of an individual's income is derived from any public assistance program. (Not all prohibited bases apply to all programs.) Persons with disabilities who require

alternative means for communication of program information (Braille, large print, audiotape, etc.) should contact USDA's TARGET Center at (202) 720-2600 (voice and TDD). To file a complaint of discrimination, write to USDA, Director, Office of Civil Rights, 1400 Independence Avenue, S.W., Washington, D.C. 20250-9410 or call (800) 795-3272 (voice) or (202) 720-6382 (TDD). USDA is an equal opportunity provider and employer.

# Contents

---

<b>Preface</b> .....	2
<b>How Soil Surveys Are Made</b> .....	5
<b>Soil Map</b> .....	8
Soil Map.....	9
Legend.....	10
Map Unit Legend.....	11
Map Unit Descriptions.....	11
El Paso County Area, Colorado.....	13
83—Stapleton sandy loam, 3 to 8 percent slopes.....	13
<b>References</b> .....	15



# How Soil Surveys Are Made

---

Soil surveys are made to provide information about the soils and miscellaneous areas in a specific area. They include a description of the soils and miscellaneous areas and their location on the landscape and tables that show soil properties and limitations affecting various uses. Soil scientists observed the steepness, length, and shape of the slopes; the general pattern of drainage; the kinds of crops and native plants; and the kinds of bedrock. They observed and described many soil profiles. A soil profile is the sequence of natural layers, or horizons, in a soil. The profile extends from the surface down into the unconsolidated material in which the soil formed or from the surface down to bedrock. The unconsolidated material is devoid of roots and other living organisms and has not been changed by other biological activity.

Currently, soils are mapped according to the boundaries of major land resource areas (MLRAs). MLRAs are geographically associated land resource units that share common characteristics related to physiography, geology, climate, water resources, soils, biological resources, and land uses (USDA, 2006). Soil survey areas typically consist of parts of one or more MLRA.

The soils and miscellaneous areas in a survey area occur in an orderly pattern that is related to the geology, landforms, relief, climate, and natural vegetation of the area. Each kind of soil and miscellaneous area is associated with a particular kind of landform or with a segment of the landform. By observing the soils and miscellaneous areas in the survey area and relating their position to specific segments of the landform, a soil scientist develops a concept, or model, of how they were formed. Thus, during mapping, this model enables the soil scientist to predict with a considerable degree of accuracy the kind of soil or miscellaneous area at a specific location on the landscape.

Commonly, individual soils on the landscape merge into one another as their characteristics gradually change. To construct an accurate soil map, however, soil scientists must determine the boundaries between the soils. They can observe only a limited number of soil profiles. Nevertheless, these observations, supplemented by an understanding of the soil-vegetation-landscape relationship, are sufficient to verify predictions of the kinds of soil in an area and to determine the boundaries.

Soil scientists recorded the characteristics of the soil profiles that they studied. They noted soil color, texture, size and shape of soil aggregates, kind and amount of rock fragments, distribution of plant roots, reaction, and other features that enable them to identify soils. After describing the soils in the survey area and determining their properties, the soil scientists assigned the soils to taxonomic classes (units). Taxonomic classes are concepts. Each taxonomic class has a set of soil characteristics with precisely defined limits. The classes are used as a basis for comparison to classify soils systematically. Soil taxonomy, the system of taxonomic classification used in the United States, is based mainly on the kind and character of soil properties and the arrangement of horizons within the profile. After the soil

## Custom Soil Resource Report

scientists classified and named the soils in the survey area, they compared the individual soils with similar soils in the same taxonomic class in other areas so that they could confirm data and assemble additional data based on experience and research.

The objective of soil mapping is not to delineate pure map unit components; the objective is to separate the landscape into landforms or landform segments that have similar use and management requirements. Each map unit is defined by a unique combination of soil components and/or miscellaneous areas in predictable proportions. Some components may be highly contrasting to the other components of the map unit. The presence of minor components in a map unit in no way diminishes the usefulness or accuracy of the data. The delineation of such landforms and landform segments on the map provides sufficient information for the development of resource plans. If intensive use of small areas is planned, onsite investigation is needed to define and locate the soils and miscellaneous areas.

Soil scientists make many field observations in the process of producing a soil map. The frequency of observation is dependent upon several factors, including scale of mapping, intensity of mapping, design of map units, complexity of the landscape, and experience of the soil scientist. Observations are made to test and refine the soil-landscape model and predictions and to verify the classification of the soils at specific locations. Once the soil-landscape model is refined, a significantly smaller number of measurements of individual soil properties are made and recorded. These measurements may include field measurements, such as those for color, depth to bedrock, and texture, and laboratory measurements, such as those for content of sand, silt, clay, salt, and other components. Properties of each soil typically vary from one point to another across the landscape.

Observations for map unit components are aggregated to develop ranges of characteristics for the components. The aggregated values are presented. Direct measurements do not exist for every property presented for every map unit component. Values for some properties are estimated from combinations of other properties.

While a soil survey is in progress, samples of some of the soils in the area generally are collected for laboratory analyses and for engineering tests. Soil scientists interpret the data from these analyses and tests as well as the field-observed characteristics and the soil properties to determine the expected behavior of the soils under different uses. Interpretations for all of the soils are field tested through observation of the soils in different uses and under different levels of management. Some interpretations are modified to fit local conditions, and some new interpretations are developed to meet local needs. Data are assembled from other sources, such as research information, production records, and field experience of specialists. For example, data on crop yields under defined levels of management are assembled from farm records and from field or plot experiments on the same kinds of soil.

Predictions about soil behavior are based not only on soil properties but also on such variables as climate and biological activity. Soil conditions are predictable over long periods of time, but they are not predictable from year to year. For example, soil scientists can predict with a fairly high degree of accuracy that a given soil will have a high water table within certain depths in most years, but they cannot predict that a high water table will always be at a specific level in the soil on a specific date.

After soil scientists located and identified the significant natural bodies of soil in the survey area, they drew the boundaries of these bodies on aerial photographs and

## Custom Soil Resource Report

identified each as a specific map unit. Aerial photographs show trees, buildings, fields, roads, and rivers, all of which help in locating boundaries accurately.

# Soil Map

---

The soil map section includes the soil map for the defined area of interest, a list of soil map units on the map and extent of each map unit, and cartographic symbols displayed on the map. Also presented are various metadata about data used to produce the map, and a description of each soil map unit.

# Custom Soil Resource Report Soil Map



Map Scale: 1:6,410 if printed on A landscape (11" x 8.5") sheet.

0 50 100 200 300 Meters

0 300 600 1200 1800 Feet

Map projection: Web Mercator Corner coordinates: WGS84 Edge tics: UTM Zone 13N WGS84



### MAP LEGEND

**Area of Interest (AOI)**

 Area of Interest (AOI)

**Soils**

 Soil Map Unit Polygons

 Soil Map Unit Lines


 Soil Map Unit Points

**Special Point Features**






-  Blowout
-  Borrow Pit
-  Clay Spot
-  Closed Depression
-  Gravel Pit
-  Gravelly Spot
-  Landfill
-  Lava Flow
-  Marsh or swamp
-  Mine or Quarry
-  Miscellaneous Water
-  Perennial Water
-  Rock Outcrop
-  Saline Spot
-  Sandy Spot
-  Severely Eroded Spot
-  Sinkhole
-  Slide or Slip
-  Sodic Spot

-  Spoil Area
-  Stony Spot
-  Very Stony Spot
-  Wet Spot
-  Other
-  Special Line Features


**Water Features**

 Streams and Canals

**Transportation**

-  Rails
-  Interstate Highways
-  US Routes
-  Major Roads
-  Local Roads

**Background**

 Aerial Photography

### MAP INFORMATION

The soil surveys that comprise your AOI were mapped at 1:24,000.

Warning: Soil Map may not be valid at this scale.

Enlargement of maps beyond the scale of mapping can cause misunderstanding of the detail of mapping and accuracy of soil line placement. The maps do not show the small areas of contrasting soils that could have been shown at a more detailed scale.

Please rely on the bar scale on each map sheet for map measurements.

Source of Map: Natural Resources Conservation Service  
 Web Soil Survey URL:  
 Coordinate System: Web Mercator (EPSG:3857)

Maps from the Web Soil Survey are based on the Web Mercator projection, which preserves direction and shape but distorts distance and area. A projection that preserves area, such as the Albers equal-area conic projection, should be used if more accurate calculations of distance or area are required.

This product is generated from the USDA-NRCS certified data as of the version date(s) listed below.

Soil Survey Area: El Paso County Area, Colorado  
 Survey Area Data: Version 21, Aug 24, 2023

Soil map units are labeled (as space allows) for map scales 1:50,000 or larger.

Date(s) aerial images were photographed: Jun 9, 2021—Jun 12, 2021

The orthophoto or other base map on which the soil lines were compiled and digitized probably differs from the background imagery displayed on these maps. As a result, some minor shifting of map unit boundaries may be evident.

## Map Unit Legend

Map Unit Symbol	Map Unit Name	Acres in AOI	Percent of AOI
83	Stapleton sandy loam, 3 to 8 percent slopes	118.6	100.0%
<b>Totals for Area of Interest</b>		<b>118.6</b>	<b>100.0%</b>

## Map Unit Descriptions

The map units delineated on the detailed soil maps in a soil survey represent the soils or miscellaneous areas in the survey area. The map unit descriptions, along with the maps, can be used to determine the composition and properties of a unit.

A map unit delineation on a soil map represents an area dominated by one or more major kinds of soil or miscellaneous areas. A map unit is identified and named according to the taxonomic classification of the dominant soils. Within a taxonomic class there are precisely defined limits for the properties of the soils. On the landscape, however, the soils are natural phenomena, and they have the characteristic variability of all natural phenomena. Thus, the range of some observed properties may extend beyond the limits defined for a taxonomic class. Areas of soils of a single taxonomic class rarely, if ever, can be mapped without including areas of other taxonomic classes. Consequently, every map unit is made up of the soils or miscellaneous areas for which it is named and some minor components that belong to taxonomic classes other than those of the major soils.

Most minor soils have properties similar to those of the dominant soil or soils in the map unit, and thus they do not affect use and management. These are called noncontrasting, or similar, components. They may or may not be mentioned in a particular map unit description. Other minor components, however, have properties and behavioral characteristics divergent enough to affect use or to require different management. These are called contrasting, or dissimilar, components. They generally are in small areas and could not be mapped separately because of the scale used. Some small areas of strongly contrasting soils or miscellaneous areas are identified by a special symbol on the maps. If included in the database for a given area, the contrasting minor components are identified in the map unit descriptions along with some characteristics of each. A few areas of minor components may not have been observed, and consequently they are not mentioned in the descriptions, especially where the pattern was so complex that it was impractical to make enough observations to identify all the soils and miscellaneous areas on the landscape.

The presence of minor components in a map unit in no way diminishes the usefulness or accuracy of the data. The objective of mapping is not to delineate pure taxonomic classes but rather to separate the landscape into landforms or landform segments that have similar use and management requirements. The delineation of such segments on the map provides sufficient information for the development of resource plans. If intensive use of small areas is planned, however, onsite investigation is needed to define and locate the soils and miscellaneous areas.

## Custom Soil Resource Report

An identifying symbol precedes the map unit name in the map unit descriptions. Each description includes general facts about the unit and gives important soil properties and qualities.

Soils that have profiles that are almost alike make up a *soil series*. Except for differences in texture of the surface layer, all the soils of a series have major horizons that are similar in composition, thickness, and arrangement.

Soils of one series can differ in texture of the surface layer, slope, stoniness, salinity, degree of erosion, and other characteristics that affect their use. On the basis of such differences, a soil series is divided into *soil phases*. Most of the areas shown on the detailed soil maps are phases of soil series. The name of a soil phase commonly indicates a feature that affects use or management. For example, Alpha silt loam, 0 to 2 percent slopes, is a phase of the Alpha series.

Some map units are made up of two or more major soils or miscellaneous areas. These map units are complexes, associations, or undifferentiated groups.

A *complex* consists of two or more soils or miscellaneous areas in such an intricate pattern or in such small areas that they cannot be shown separately on the maps. The pattern and proportion of the soils or miscellaneous areas are somewhat similar in all areas. Alpha-Beta complex, 0 to 6 percent slopes, is an example.

An *association* is made up of two or more geographically associated soils or miscellaneous areas that are shown as one unit on the maps. Because of present or anticipated uses of the map units in the survey area, it was not considered practical or necessary to map the soils or miscellaneous areas separately. The pattern and relative proportion of the soils or miscellaneous areas are somewhat similar. Alpha-Beta association, 0 to 2 percent slopes, is an example.

An *undifferentiated group* is made up of two or more soils or miscellaneous areas that could be mapped individually but are mapped as one unit because similar interpretations can be made for use and management. The pattern and proportion of the soils or miscellaneous areas in a mapped area are not uniform. An area can be made up of only one of the major soils or miscellaneous areas, or it can be made up of all of them. Alpha and Beta soils, 0 to 2 percent slopes, is an example.

Some surveys include *miscellaneous areas*. Such areas have little or no soil material and support little or no vegetation. Rock outcrop is an example.



## El Paso County Area, Colorado

### 83—Stapleton sandy loam, 3 to 8 percent slopes

#### Map Unit Setting

*National map unit symbol:* 369z  
*Elevation:* 6,500 to 7,300 feet  
*Mean annual precipitation:* 14 to 16 inches  
*Mean annual air temperature:* 46 to 48 degrees F  
*Frost-free period:* 125 to 145 days  
*Farmland classification:* Not prime farmland

#### Map Unit Composition

*Stapleton and similar soils:* 97 percent  
*Minor components:* 3 percent  
*Estimates are based on observations, descriptions, and transects of the mapunit.*

#### Description of Stapleton

##### Setting

*Landform:* Hills  
*Landform position (three-dimensional):* Side slope  
*Down-slope shape:* Linear  
*Across-slope shape:* Linear  
*Parent material:* Sandy alluvium derived from arkose

##### Typical profile

*A - 0 to 11 inches:* sandy loam  
*Bw - 11 to 17 inches:* gravelly sandy loam  
*C - 17 to 60 inches:* gravelly loamy sand

##### Properties and qualities

*Slope:* 3 to 8 percent  
*Depth to restrictive feature:* More than 80 inches  
*Drainage class:* Well drained  
*Runoff class:* Low  
*Capacity of the most limiting layer to transmit water (Ksat):* High (2.00 to 6.00 in/hr)  
*Depth to water table:* More than 80 inches  
*Frequency of flooding:* None  
*Frequency of ponding:* None  
*Available water supply, 0 to 60 inches:* Low (about 4.7 inches)

##### Interpretive groups

*Land capability classification (irrigated):* None specified  
*Land capability classification (nonirrigated):* 3e  
*Hydrologic Soil Group:* B  
*Ecological site:* R049XY214CO - Gravelly Foothill  
*Hydric soil rating:* No

#### Minor Components

##### Fluvaquentic haplaquolls

*Percent of map unit:* 1 percent  
*Landform:* Swales  
*Hydric soil rating:* Yes

## Custom Soil Resource Report

### **Other soils**

*Percent of map unit:* 1 percent

*Hydric soil rating:* No

### **Pleasant**

*Percent of map unit:* 1 percent

*Landform:* Depressions

*Hydric soil rating:* Yes



Know what's below.  
Call before you dig.

CALL 2-BUSINESS DAYS IN ADVANCE BEFORE YOU DIG, GRADE, OR EXCAVATE FOR THE MARKING OF UNDERGROUND MEMBER UTILITIES.

# LATIGO TRAILS FILING NO. 10

## EL PASO COUNTY, COLORADO

# GRADING AND EROSION CONTROL PLANS

### CONTACTS

**OWNER/DEVELOPER:** BRJM, LLC  
CONTACT: BOB IRWIN  
101 N. CASCADE, SUITE 200  
COLORADO SPRINGS, CO 80903  
(719) 475-7474

**CIVIL ENGINEER:** DREXEL BARRELL & CO.  
CONTACT: TIM D. MCCONNELL, P.E.  
101 SAHWATCH STREET, #100  
COLORADO SPRINGS, CO 80903  
(719) 260-0887

**EL PASO COUNTY:** PLANNING AND COUNTY DEVELOPMENT  
2880 INTERNATIONAL CIRCLE, SUITE 110  
COLORADO SPRINGS, COLORADO 80910  
(719) 520-6819

DEPARTMENT OF PUBLIC WORKS  
3257 AKERS DR  
COLORADO SPRINGS, CO 80910  
(719) 529-6460

**DISTRICT:** MERIDIAN SERVICE METROPOLITAN DISTRICT  
11886 STAPLETON DR  
PEYTON, CO 80831  
(719) 495-6567

**FIRE PROTECTION DISTRICT:** FALCON FIRE FPD  
7030 N MERIDIAN RD  
FALCON, CO 80831  
(719) 494-4050

**ELECTRIC:** MOUNTAIN VIEW ELECTRIC ASSOC., INC.  
11140 EAST WOODMEN ROAD  
FALCON, COLORADO 80831  
(719)495-2283

PREPARED BY:

DREXEL, BARRELL & CO.  
Engineers • Surveyors  
101 SAHWATCH ST. #100  
COLORADO SPGS, COLORADO 80903  
CONTACT: TIM D. MCCONNELL, P.E.  
(719)260-0887  
COLORADO SPRINGS • LAFAYETTE

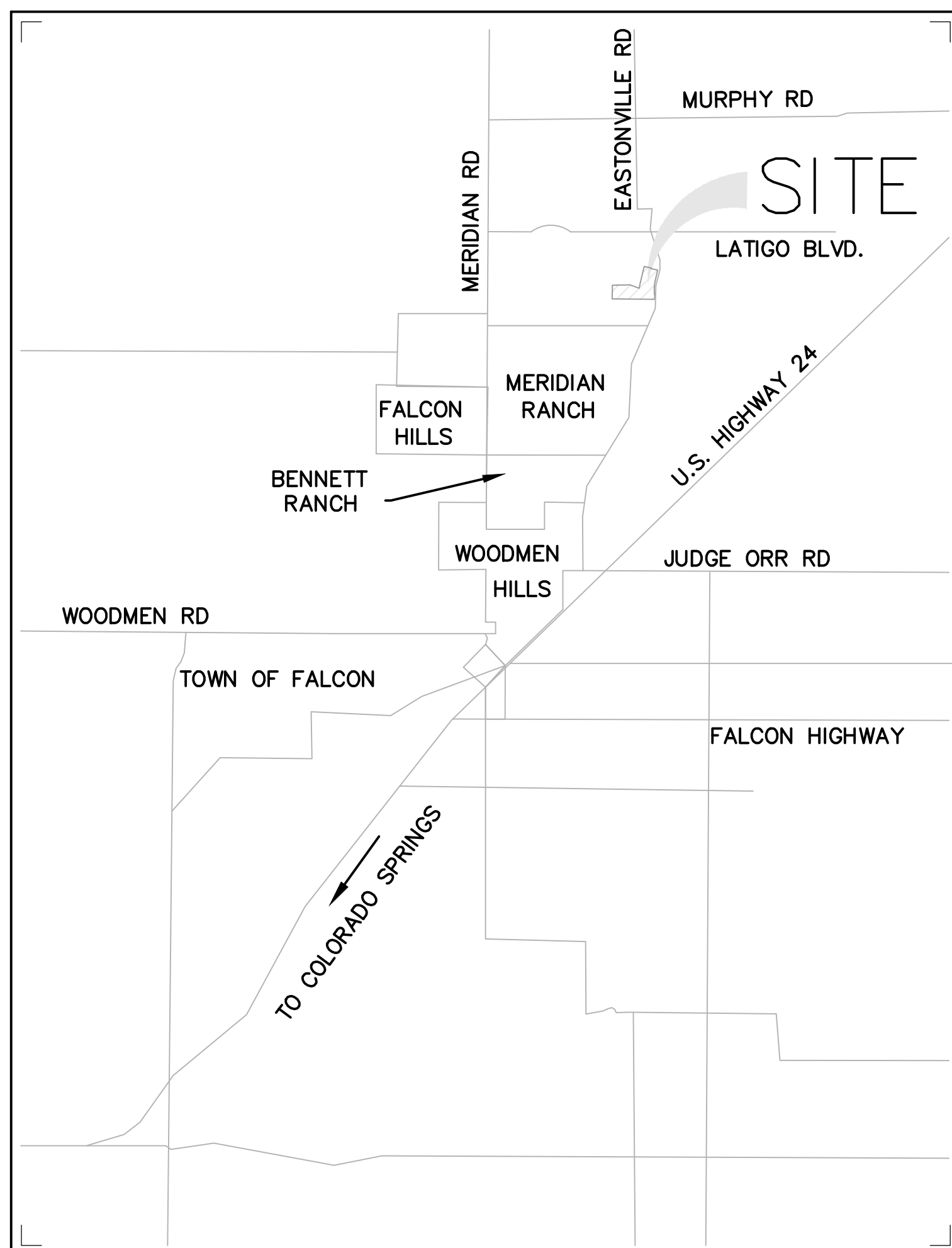
CLIENT:

FALCON LATIGO, LLC  
5350 S. ROSLYN ST. STE #400  
ENGLEWOOD, CO 80111-2125  
(303) 694-0862

### STANDARD NOTES FOR EL PASO COUNTY GRADING AND EROSION CONTROL PLANS

- STORMWATER DISCHARGES FROM CONSTRUCTION SITES SHALL NOT CAUSE OR THREATEN TO CAUSE POLLUTION, CONTAMINATION, OR DEGRADATION OF STATE WATERS. ALL WORK AND EARTH DISTURBANCE SHALL BE DONE IN A MANNER THAT MINIMIZES POLLUTION OF ANY ON-SITE OR OFF-SITE WATERS, INCLUDING WETLANDS.
- NOTWITHSTANDING ANYTHING DEPICTED IN THESE PLANS IN WORDS OR GRAPHIC REPRESENTATION, ALL DESIGN AND CONSTRUCTION RELATED TO ROADS, STORM DRAINAGE AND EROSION CONTROL SHALL CONFORM TO THE STANDARDS AND REQUIREMENTS OF THE MOST RECENT VERSION OF THE RELEVANT ADOPTED EL PASO COUNTY STANDARDS, INCLUDING THE LAND DEVELOPMENT CODE, THE ENGINEERING CRITERIA MANUAL, THE DRAINAGE CRITERIA MANUAL, AND THE DRAINAGE CRITERIA MANUAL VOLUME 2. ANY DEVIATIONS TO REGULATIONS AND STANDARDS MUST BE REQUESTED, AND APPROVED, IN WRITING.
- A SEPARATE STORMWATER MANAGEMENT PLAN (SWMP) FOR THIS PROJECT SHALL BE COMPLETED AND AN EROSION AND STORMWATER QUALITY CONTROL PERMIT (ESQCP) ISSUED PRIOR TO COMMENCING CONSTRUCTION. MANAGEMENT OF THE SWMP DURING CONSTRUCTION THE SWMP IS THE RESPONSIBILITY OF THE DESIGNATED STORMWATER MANAGER OR CERTIFIED EROSION CONTROL INSPECTOR. THE SWMP SHALL BE LOCATED ON-SITE AT ALL TIMES DURING CONSTRUCTION AND SHALL BE KEPT UP TO DATE WITH WORK PROGRESS AND CHANGES IN THE FIELD.
- ONCE THE ESQCP IS APPROVED AND A "NOTICE TO PROCEED" HAS BEEN ISSUED, THE CONTRACTOR MAY INSTALL THE INITIAL STAGE EROSION AND SEDIMENT CONTROL MEASURES AS INDICATED ON THE APPROVED GEO. A PRECONSTRUCTION MEETING BETWEEN THE CONTRACTOR, ENGINEER, AND EL PASO COUNTY WILL BE HELD PRIOR TO ANY CONSTRUCTION. IT IS THE RESPONSIBILITY OF THE APPLICANT TO COORDINATE THE MEETING TIME AND PLACE WITH COUNTY STAFF.
- CONTROL MEASURES MUST BE INSTALLED PRIOR TO COMMENCEMENT OF ACTIVITIES THAT COULD CONTRIBUTE POLLUTANTS TO STORMWATER. CONTROL MEASURES FOR ALL SLOPES, CHANNELS, DITCHES, AND DISTURBED LAND AREAS SHALL BE INSTALLED IMMEDIATELY UPON COMPLETION OF THE DISTURBANCE.
- ALL TEMPORARY SEDIMENT AND EROSION CONTROL MEASURES SHALL BE MAINTAINED AND REMAIN IN EFFECTIVE OPERATING CONDITION UNTIL PERMANENT SOIL EROSION CONTROL MEASURES ARE IMPLEMENTED AND FINAL STABILIZATION IS ESTABLISHED. ALL PERSONS ENGAGED IN LAND DISTURBANCE ACTIVITIES SHALL ASSESS THE ADEQUACY OF CONTROL MEASURES AT THE SITE AND IDENTIFY IF CHANGES TO THOSE CONTROL MEASURES ARE NEEDED TO ENSURE THE CONTINUED EFFECTIVE PERFORMANCE OF THE CONTROL MEASURES. ALL CHANGES TO TEMPORARY SEDIMENT AND EROSION CONTROL MEASURES MUST BE INCORPORATED INTO THE STORMWATER MANAGEMENT PLAN.
- TEMPORARY STABILIZATION SHALL BE IMPLEMENTED ON DISTURBED AREAS AND STOCKPILES WHERE GROUND DISTURBING CONSTRUCTION ACTIVITY HAS PERMANENTLY CEASED OR TEMPORARILY CEASED FOR LONGER THAN 14 DAYS.
- FINAL STABILIZATION MUST BE IMPLEMENTED AT ALL APPLICABLE CONSTRUCTION SITES. FINAL STABILIZATION IS ACHIEVED WHEN ALL GROUND DISTURBING ACTIVITIES ARE COMPLETE AND ALL DISTURBED AREAS EITHER HAVE A UNIFORM VEGETATIVE COVER WITH INDIVIDUAL PLANT DENSITY OF 70 PERCENT OF PRE-DISTURBANCE LEVELS ESTABLISHED OR EQUIVALENT PERMANENT ALTERNATIVE STABILIZATION METHOD IS IMPLEMENTED. ALL TEMPORARY SEDIMENT AND EROSION CONTROL MEASURES SHALL BE REMOVED UPON FINAL STABILIZATION AND BEFORE PERMIT CLOSURE.
- ALL PERMANENT STORMWATER MANAGEMENT FACILITIES SHALL BE INSTALLED AS DESIGNED IN THE APPROVED PLANS. ANY PROPOSED CHANGES THAT EFFECT THE DESIGN OR FUNCTION OF PERMANENT STORMWATER MANAGEMENT STRUCTURES MUST BE APPROVED BY THE ECM ADMINISTRATOR PRIOR TO IMPLEMENTATION.
- EARTH DISTURBANCES SHALL BE CONDUCTED IN SUCH A MANNER SO AS TO EFFECTIVELY MINIMIZE ACCELERATED SOIL EROSION AND RESULTING SEDIMENTATION. ALL DISTURBANCES SHALL BE DESIGNED, CONSTRUCTED, AND COMPLETED SO THAT THE EXPOSED AREA OF ANY DISTURBED LAND SHALL BE LIMITED TO THE SHORTEST PRACTICAL PERIOD OF TIME. PRE-EXISTING VEGETATION SHALL BE PROTECTED AND MAINTAINED WITHIN 50 HORIZONTAL FEET OF A WATERS OF THE STATE UNLESS SHOWN TO BE INFESABLE AND SPECIFICALLY REQUESTED AND APPROVED.
- COMPACTION OF SOIL MUST BE PREVENTED IN AREAS DESIGNATED FOR INFILTRATION CONTROL MEASURES OR WHERE FINAL STABILIZATION WILL BE ACHIEVED BY VEGETATIVE COVER. AREAS DESIGNATED FOR INFILTRATION CONTROL MEASURES SHALL ALSO BE PROTECTED FROM SEDIMENTATION DURING CONSTRUCTION UNTIL FINAL STABILIZATION IS ACHIEVED. IF COMPACTION PREVENTION IS NOT FEASIBLE DUE TO SITE CONSTRAINTS, ALL AREAS DESIGNATED FOR INFILTRATION AND VEGETATION CONTROL MEASURES MUST BE LOOSENEED PRIOR TO INSTALLATION OF THE CONTROL MEASURE(S).
- ANY TEMPORARY OR PERMANENT FACILITY DESIGNED AND CONSTRUCTED FOR THE CONVEYANCE OF STORMWATER AROUND, THROUGH, OR FROM THE EARTH DISTURBANCE AREA SHALL BE A STABILIZED CONVEYANCE DESIGNED TO MINIMIZE EROSION AND THE DISCHARGE OF SEDIMENT OFF-SITE.
- CONCRETE WASH WATER SHALL BE CONTAINED AND DISPOSED OF IN ACCORDANCE WITH THE SWMP. NO WASH WATER SHALL BE DISCHARGED TO OR ALLOWED TO ENTER STATE WATERS, INCLUDING ANY SURFACE OR SUBSURFACE STORM DRAINAGE SYSTEM OR FACILITIES. CONCRETE WASHOUTS SHALL NOT BE LOCATED IN AN AREA WHERE SHALLOW GROUNDWATER MAY BE PRESENT, OR WITHIN 50 FEET OF A SURFACE WATER BODY, CREEK, OR STREAM.
- DURING DEWATERING OPERATIONS, UNCONTAMINATED GROUNDWATER MAY BE DISCHARGED ON-SITE, BUT SHALL NOT LEAVE THE SITE IN THE FORM OF SURFACE RUNOFF UNLESS AN APPROVED STATE DEWATERING PERMIT IS IN PLACE.
- EROSION CONTROL BLANKETING OR OTHER PROTECTIVE COVERING SHALL BE USED ON SLOPES STEEPER THAN 3:1.
- CONTRACTOR SHALL BE RESPONSIBLE FOR THE REMOVAL OF ALL WASTES FROM THE CONSTRUCTION SITE FOR DISPOSAL IN ACCORDANCE WITH LOCAL AND STATE REGULATORY REQUIREMENTS. NO CONSTRUCTION DEBRIS, TREE SLASH, BUILDING MATERIAL WASTES OR UNUSED BUILDING MATERIALS SHALL BE BURIED, DUMPED, OR DISCHARGED AT THE SITE.
- CONTRACTOR SHALL BE RESPONSIBLE FOR THE REMOVAL OF ALL WASTES FROM THE CONSTRUCTION SITE FOR DISPOSAL IN ACCORDANCE WITH LOCAL AND STATE REGULATORY REQUIREMENTS. NO CONSTRUCTION DEBRIS, TREE SLASH, BUILDING MATERIAL WASTES OR UNUSED BUILDING MATERIALS SHALL BE BURIED, DUMPED, OR DISCHARGED AT THE SITE.
- TRACKING OF SOILS AND CONSTRUCTION DEBRIS OFF-SITE SHALL BE MINIMIZED. MATERIALS TRACKED OFF-SITE SHALL BE CLEANED UP AND PROPERLY DISPOSED OF IMMEDIATELY.
- THE OWNER/DEVELOPER SHALL BE RESPONSIBLE FOR THE REMOVAL OF ALL CONSTRUCTION DEBRIS, DIRT, TRASH, ROCK, SEDIMENT, SOIL, AND SAND THAT MAY ACCUMULATE IN ROADS, STORM DRAINS AND OTHER DRAINAGE CONVEYANCE SYSTEMS AND STORMWATER APPURTENANCES AS A RESULT OF SITE DEVELOPMENT.
- THE QUANTITY OF MATERIALS STORED ON THE PROJECT SITE SHALL BE LIMITED, AS MUCH AS PRACTICAL, TO THAT QUANTITY REQUIRED TO PERFORM THE WORK IN AN ORDERLY SEQUENCE. ALL MATERIALS STORED ON-SITE SHALL BE STORED IN A NEAT, ORDERLY MANNER IN THEIR ORIGINAL CONTAINERS, WITH ORIGINAL MANUFACTURER'S LABELS.
- NO CHEMICAL(S) HAVING THE POTENTIAL TO BE RELEASED IN STORMWATER ARE TO BE STORED OR USED ON-SITE UNLESS PERMISSION FOR THE USE OF SUCH CHEMICAL(S) IS GRANTED IN WRITING BY THE ECM ADMINISTRATOR. IN GRANTING APPROVAL FOR THE USE OF SUCH CHEMICAL(S), SPECIAL CONDITIONS AND MONITORING MAY BE REQUIRED.
- BULK STORAGE OF ALLOWED PETROLEUM PRODUCTS OR OTHER ALLOWED LIQUID CHEMICALS IN EXCESS OF 55 GALLONS SHALL REQUIRE ADEQUATE SECONDARY CONTAINMENT PROTECTION TO CONTAIN ALL SPILLS ON-SITE AND TO PREVENT ANY SPILLED MATERIALS FROM ENTERING STATE WATERS, ANY SURFACE OR SUBSURFACE STORM DRAINAGE SYSTEM OR OTHER FACILITIES.
- NO PERSON SHALL CAUSE THE IMPEDIMENT OF STORMWATER FLOW IN THE CURB AND GUTTER OR DITCH EXCEPT WITH APPROVED SEDIMENT CONTROL MEASURES.
- OWNER/DEVELOPER AND THEIR AGENTS SHALL COMPLY WITH THE "COLORADO WATER QUALITY CONTROL ACT (TITLE 25, ARTICLE 8, CRS), AND THE "CLEAN WATER ACT (33 USC 1344), IN ADDITION TO THE REQUIREMENTS OF THE LAND DEVELOPMENT CODE, DCM VOLUME II AND THE ECM APPENDIX I. ALL APPROPRIATE PERMITS MUST BE OBTAINED BY THE CONTRACTOR PRIOR TO CONSTRUCTION (1041, NPDES, FLOODPLAIN, 402, FUGITIVE DUST, ETC.). IN THE EVENT OF CONFLICTS BETWEEN THESE REQUIREMENTS AND OTHER LAWS, RULES, OR REGULATIONS OF OTHER FEDERAL, STATE, LOCAL, OR COUNTY AGENCIES, THE MOST RESTRICTIVE LAWS, RULES, OR REGULATIONS SHALL APPLY.
- ALL CONSTRUCTION TRAFFIC MUST ENTER/EXIT THE SITE ONLY AT APPROVED CONSTRUCTION ACCESS POINTS.
- PRIOR TO CONSTRUCTION THE PERMITTEE SHALL VERIFY THE LOCATION OF EXISTING UTILITIES.
- A WATER SOURCE SHALL BE AVAILABLE ON-SITE DURING EARTHWORK OPERATIONS AND SHALL BE UTILIZED AS REQUIRED TO MINIMIZE DUST FROM EARTHWORK EQUIPMENT AND WIND.
- THE SOILS REPORT FOR THIS SITE HAS BEEN PREPARED BY ENTECH ENGINEERING, INCORPORATED, JANUARY 20, 2021 AND SHALL BE CONSIDERED A PART OF THESE PLANS.
- AT LEAST TEN DAYS PRIOR TO THE ANTICIPATED START OF CONSTRUCTION, FOR PROJECTS THAT WILL DISTURB 1 ACRE OR MORE, THE OWNER OR OPERATOR OF CONSTRUCTION ACTIVITY SHALL SUBMIT A PERMIT APPLICATION FOR STORMWATER DISCHARGE TO THE COLORADO DEPARTMENT OF PUBLIC HEALTH AND ENVIRONMENT, WATER QUALITY DIVISION. THE APPLICATION CONTAINS CERTIFICATION OF COMPLETION OF A STORMWATER MANAGEMENT PLAN (SWMP), OF WHICH THIS GRADING AND EROSION CONTROL PLAN MAY BE A PART. FOR INFORMATION OR APPLICATION MATERIALS CONTACT:

COLORADO DEPARTMENT OF PUBLIC HEALTH AND ENVIRONMENT  
WATER QUALITY CONTROL DIVISION  
WOOD - PERMITS  
4300 CHERRY CREEK DRIVE SOUTH  
DENVER, CO 80246-1530  
ATTN: PERMITS UNIT



VICINITY MAP  
NOT TO SCALE



### SHEET INDEX

- |    |       |                              |
|----|-------|------------------------------|
| 1  | CV-1  | COVER SHEET                  |
| 2  | EC-1  | INITIAL EROSION CONTROL PLAN |
| 3  | EC-2  | INITIAL EROSION CONTROL PLAN |
| 4  | EC-3  | INITIAL EROSION CONTROL PLAN |
| 5  | EC-4  | INITIAL EROSION CONTROL PLAN |
| 6  | EC-5  | INITIAL EROSION CONTROL PLAN |
| 7  | DT-1  | EROSION CONTROL DETAILS      |
| 8  | DT-2  | EROSION CONTROL DETAILS      |
| 9  | PD-1  | POND G14B DETAILS            |
| 10 | FB-1  | POND G14B FOREBAY DETAILS    |
| 11 | OUT-1 | POND G14B OUTLET STRUCTURE   |
| 12 | PD-2  | POND G18 DETAILS             |
| 13 | FB-2  | POND G18 FOREBAY DETAILS     |
| 14 | OUT-2 | POND G18 OUTLET STRUCTURE    |
| 15 | PD-3  | POND G19 DETAILS             |
| 16 | FB-3  | POND G19 FOREBAY DETAILS     |
| 17 | OUT-3 | POND G19 OUTLET STRUCTURE    |

### OWNER'S STATEMENT

I, THE OWNER/DEVELOPER HAVE READ AND WILL COMPLY WITH THE REQUIREMENTS OF THE GRADING AND EROSION CONTROL PLAN.

ROBERT C. IRWIN \_\_\_\_\_ DATE \_\_\_\_\_

### DESIGN ENGINEER'S STATEMENT

THIS GRADING AND EROSION CONTROL PLAN WAS PREPARED UNDER MY DIRECTION AND SUPERVISION AND IS CORRECT TO THE BEST OF MY KNOWLEDGE AND BELIEF. SAID PLAN HAS BEEN PREPARED ACCORDING TO THE CRITERIA ESTABLISHED BY THE COUNTY FOR GRADING AND EROSION CONTROL PLANS. I ACCEPT RESPONSIBILITY FOR ANY LIABILITY CAUSED BY ANY NEGLIGENT ACTS, ERRORS OR OMISSIONS ON MY PART IN PREPARING THIS PLAN.

TIM D. MCCONNELL \_\_\_\_\_ DATE \_\_\_\_\_  
P.E.# 33797

### EL PASO COUNTY

COUNTY PLAN REVIEW IS PROVIDED ONLY FOR GENERAL CONFORMANCE WITH COUNTY DESIGN CRITERIA. THE COUNTY IS NOT RESPONSIBLE FOR THE ACCURACY AND ADEQUACY OF THE DESIGN, DIMENSIONS, AND/OR ELEVATIONS WHICH SHALL BE CONFIRMED AT THE JOB SITE. THE COUNTY THROUGH THE APPROVAL OF THIS DOCUMENT ASSUMES NO RESPONSIBILITY FOR THE COMPLETENESS AND/OR ACCURACY OF THIS DOCUMENT.

FILED IN ACCORDANCE WITH THE REQUIREMENTS OF THE EL PASO COUNTY LAND DEVELOPMENT CODE, DRAINAGE CRITERIA MANUAL, AND ENGINEERING CRITERIA MANUAL AS AMENDED.

IN ACCORDANCE WITH ECM SECTION 1.12, THESE CONSTRUCTION DOCUMENTS WILL BE VALID FOR CONSTRUCTION FOR A PERIOD OF 2 YEARS FROM THE DATE SIGNED BY THE EL PASO COUNTY ENGINEER. IF CONSTRUCTION HAS NOT STARTED WITHIN THOSE 2 YEARS, THE PLANS WILL NEED TO BE RESUBMITTED FOR APPROVAL, INCLUDING PAYMENT OF REVIEW FEES AT THE PLANNING AND COMMUNITY DEVELOPMENT DIRECTOR'S DISCRETION.

JOSHUA PALMER, P.E. \_\_\_\_\_ DATE \_\_\_\_\_  
COUNTY ENGINEER

GRADING & EROSION CONTROL PLANS FOR:

**LATIGO TRAILS**  
**FILING NO. 10**  
EL PASO COUNTY  
FALCON, COLORADO

ISSUE	DATE
INITIAL ISSUE	9/26/24
RESUBMITTAL	11/18/24
DESIGNED BY:	SBN
DRAWN BY:	SBN
CHECKED BY:	TDM
FILE NAME:	21820-01CV3

PREPARED UNDER MY DIRECT SUPERVISION FOR AND BEHALF OF DREXEL, BARRELL & CO.

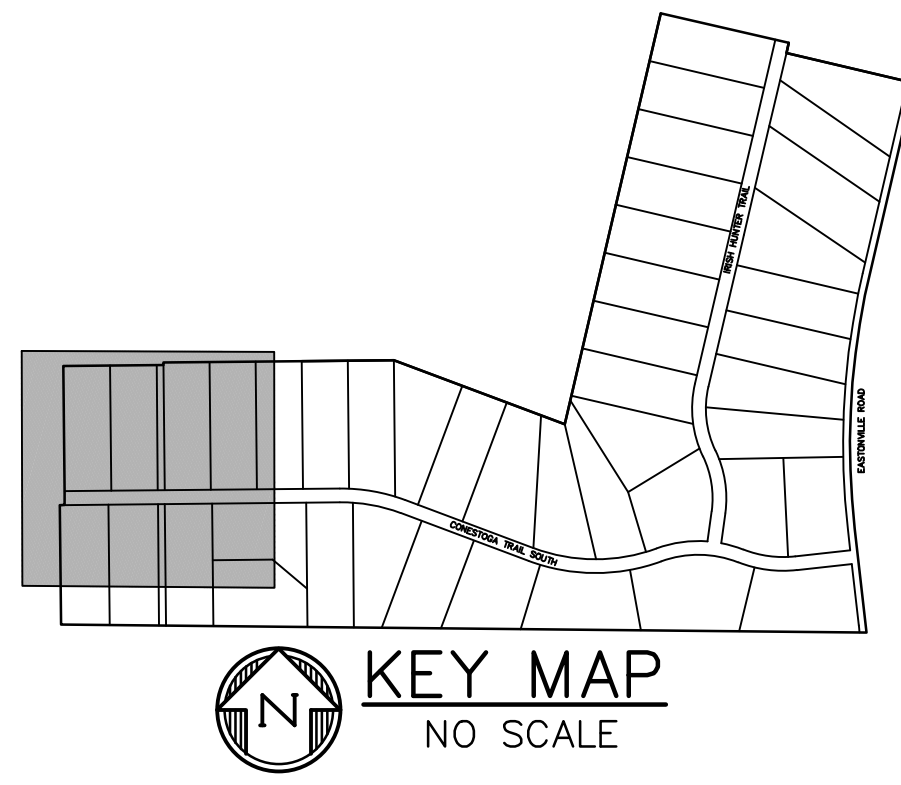
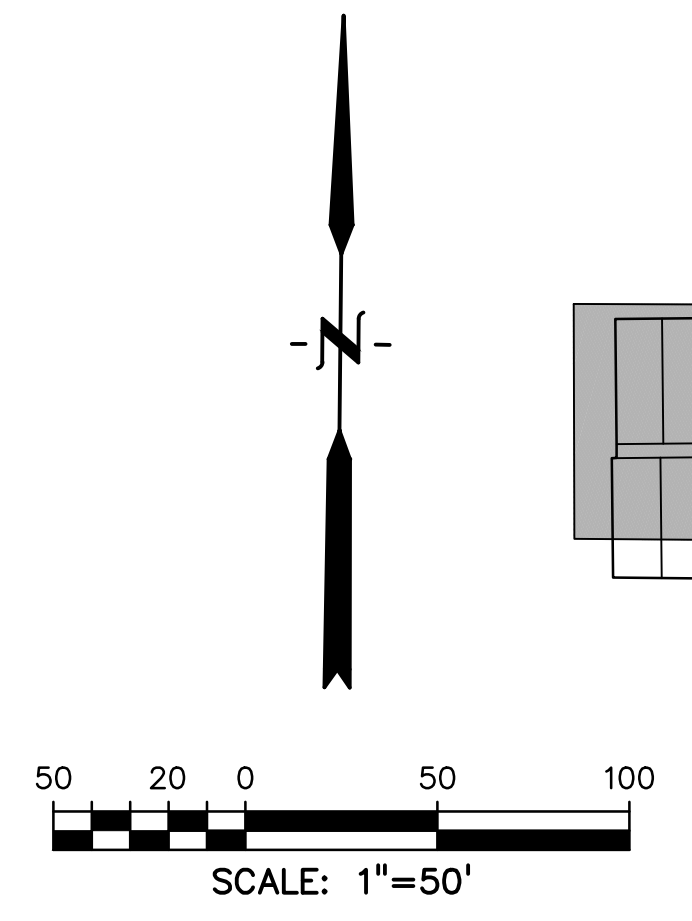
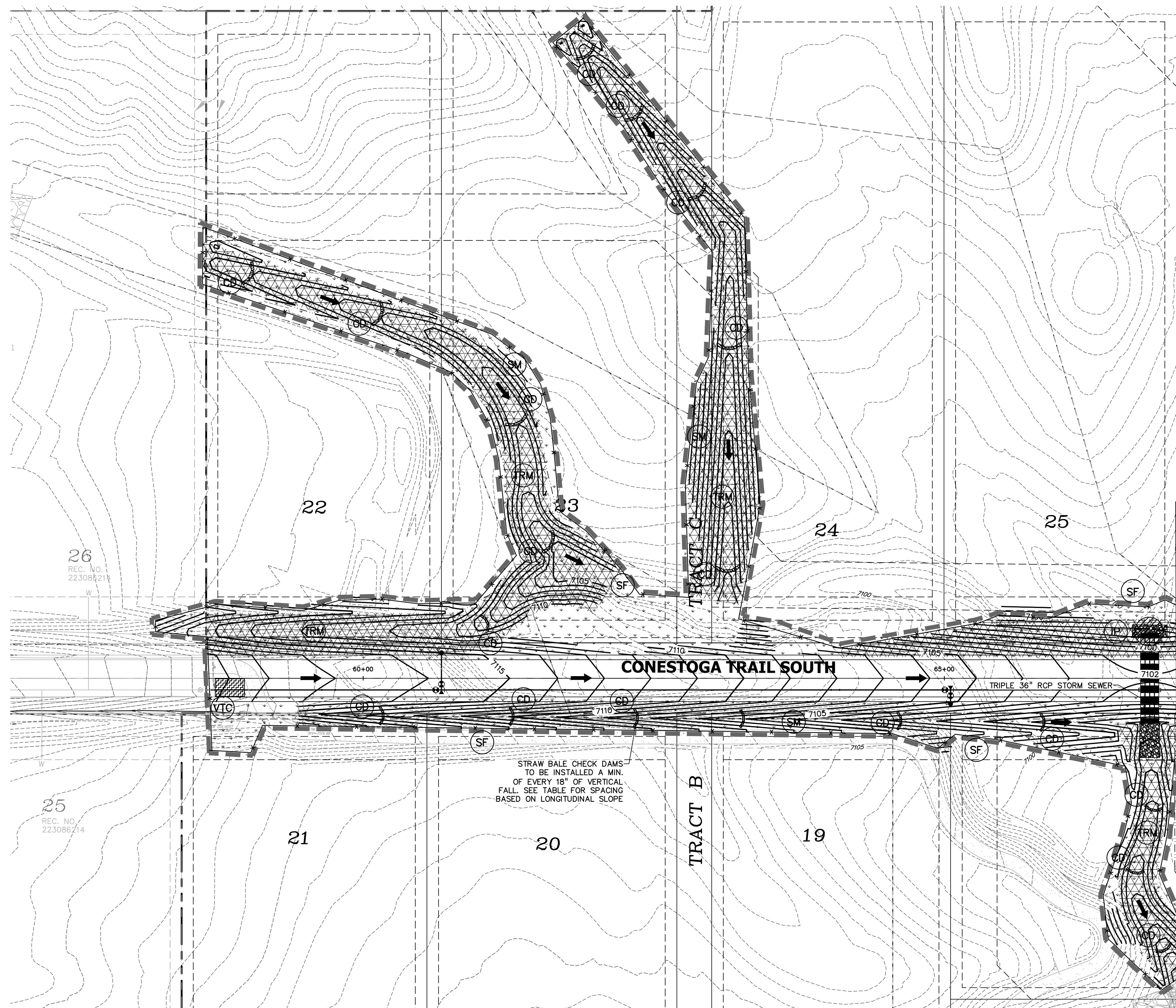
DRAWING SCALE:  
HORIZONTAL: N/A  
VERTICAL: N/A

COVER SHEET

PROJECT NO. 21820-01CSCV  
DRAWING NO.

**CV-1**





**NOTES:**

1. EXISTING VEGETATION ON THE PROJECT SITE CONSISTS OF SPARSE GRASS.
2. STABILIZED STAGING AREA AND CONCRETE WASHOUT LOCATION TO BE DETERMINED BY THE CONTRACTOR AND NOTED ON THIS PLAN.
3. THE PROJECT SITE IS OUTSIDE OF THE 100-YEAR FLOODPLAIN.
4. THERE ARE NO DEDICATED ASPHALT OR CONCRETE BATCH PLANTS ARE PROPOSED AS PART OF THIS PROJECT.
5. DEWATERING OPERATIONS ARE NOT ANTICIPATED FOR THIS PROJECT.
6. ALL SLOPES GREATER THAN 3:1 REQUIRE EROSION CONTROL BLANKET.

**BMP PHASING:**

- INITIAL/INTERIM**
1. INSTALL VTC
  2. INSTALL CWA
  3. ESTABLISH SSA & STOCKPILE LOCATIONS
  4. INSTALL CONSTRUCTION FENCE
  5. INSTALL SILT FENCE
  6. INSTALL ROUGH CUT STREET CONTROL
  7. INSTALL SEDIMENT BASINS
  8. INSTALL SWALES
  9. INSTALL CHECK DAMS
  10. INSTALL INLET/OUTLET PROTECTION
- FINAL**
1. INSTALL MULCH AND PERMANENT SEEDING IN ALL DISTURBED AREAS.
  2. REMOVE ALL TEMPORARY BMPS AFTER FINAL STABILIZATION HAS BEEN REACHED.

**LEGEND**

PROPOSED INTERMEDIATE CONTOUR.....	5522
PROPOSED INDEX CONTOUR.....	5520
EX INTERMEDIATE CONTOUR.....	5364
EX INDEX CONTOUR.....	5365
DIRECTION OF FLOW.....	←
PROJECT BOUNDARY/PROPERTY LINE.....	---
ROW.....	---
LIMITS OF DISTURBANCE/ CONSTRUCTION SITE BOUNDARY.....	---
CUT/FILL LINE.....	CUT FILL
INTERIM/FINAL INLET PROTECTION.....	IP
INITIAL/INTERIM SILT FENCE.....	SF
INITIAL/INTERIM CONCRETE WASHOUT AREA.....	CWA
INITIAL/INTERIM VEHICLE TRACKING CONTROL.....	VTC
INITIAL/INTERIM STABILIZED STAGING AREA.....	SSA
INITIAL/INTERIM ROCK SOCKS.....	RS
INITIAL/INTERIM STRAW BALE CHECK DAM.....	CD
INITIAL/INTERIM TEMPORARY SEDIMENT BASIN.....	TSB
FINAL SEEDING AND MULCHING.....	SM
FINAL TURF REINFORCEMENT MAT.....	TRM

STRAW BALE CHECK DAMS  
TO BE INSTALLED A MIN.  
OF EVERY 18" OF VERTICAL  
FALL. SEE TABLE FOR SPACING  
BASED ON LONGITUDINAL SLOPE

**CHECK DAM SPACING**

REFERENCE DETAIL SHEET FOR FURTHER INFORMATION

DITCH SLOPE %	SPACING (FT) (A-B SEE DETAIL)
0.5	300
1.0	150
2.0	75
3.0	50
4.0	37.5
5.0	30
6.0	25

26  
REC. NO.  
223088214

25  
REC. NO.  
223086214

PREPARED BY:  
  
**DREXEL, BARRELL & CO.**  
Engineers • Surveyors  
101 SAWATCH ST. #100  
COLORADO SPGS, COLORADO 80903  
CONTACT: TIM D. MCCONNELL, P.E.  
(719)266-0887  
COLORADO SPRINGS • LAFAYETTE

CLIENT:  
  
FALCON LATIGO, LLC  
5350 S. ROSLYN ST. STE #400  
ENGLEWOOD, CO 80111-2125  
(303) 694-0862

GRADING & EROSION CONTROL PLANS FOR:  
**LATIGO TRAILS**  
**FILING NO. 10**  
EL PASO COUNTY  
FALCON, COLORADO

ISSUE	DATE
INITIAL ISSUE	9/26/24
RESUBMITTAL	11/18/24

DESIGNED BY: TDM  
DRAWN BY: GES  
CHECKED BY: TDM  
FILE NAME: 21820-01GC1

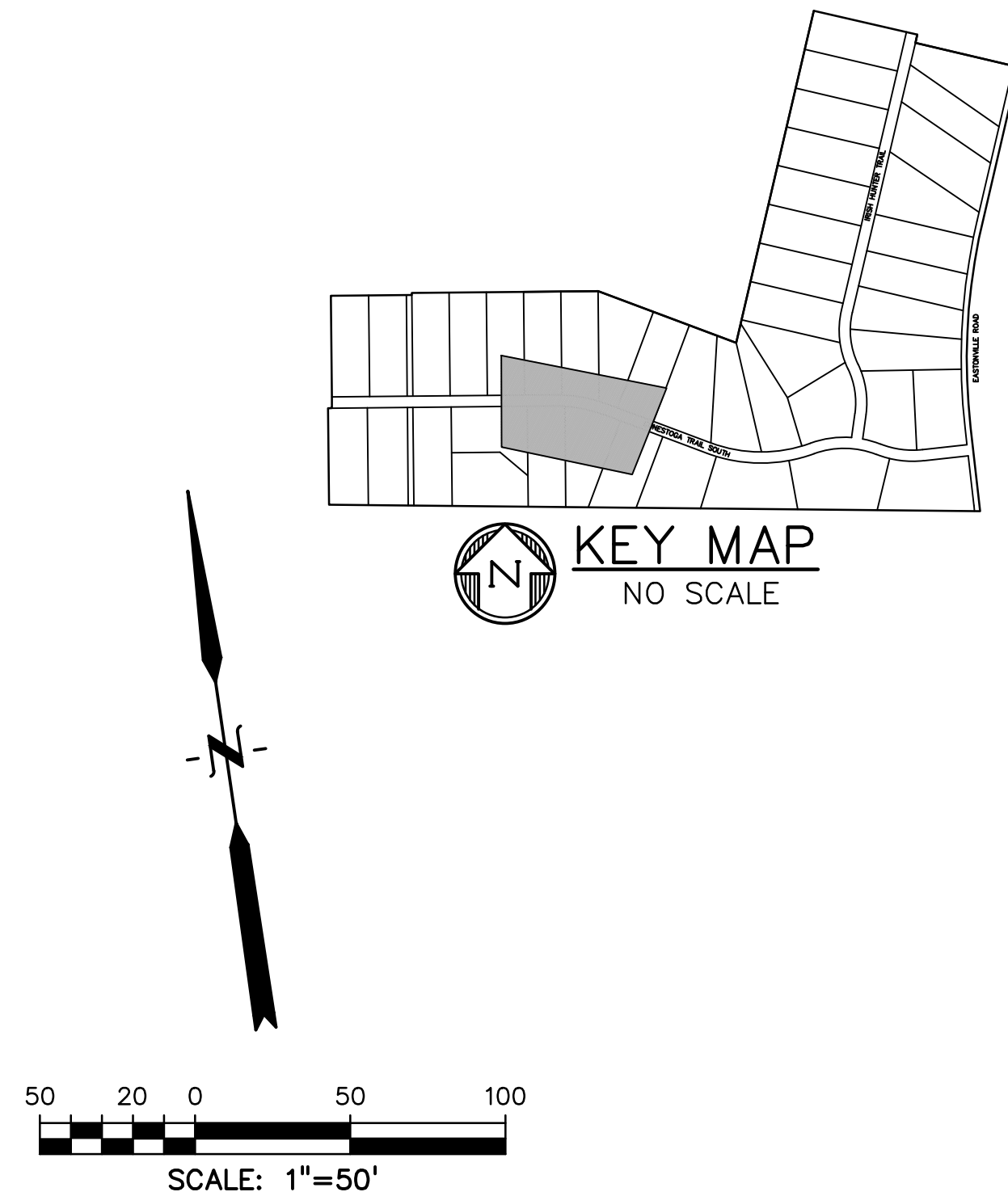
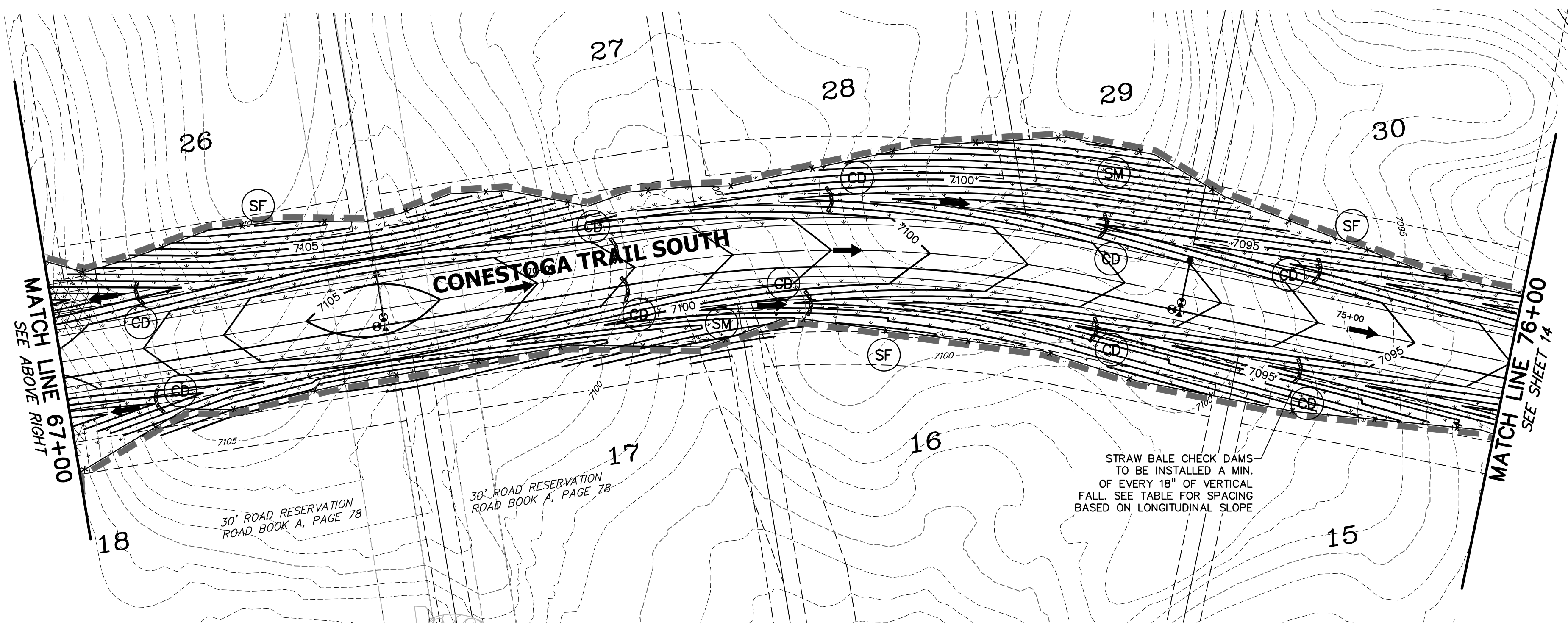
PREPARED UNDER MY DIRECT SUPERVISION FOR AND BEHALF OF DREXEL, BARRELL & CO.

DRAWING SCALE:  
HORIZONTAL: 1" = 50'  
VERTICAL: N/A

**CONESTOGA TR.**  
**GRADING &**  
**ERSN CNTL PLAN**

PROJECT NO. 21820-01CSCV  
DRAWING NO.

**EC-1**



- NOTES:**
- EXISTING VEGETATION ON THE PROJECT SITE CONSISTS OF SPARSE GRASS.
  - STABILIZED STAGING AREA AND CONCRETE WASHOUT LOCATION TO BE DETERMINED BY THE CONTRACTOR AND NOTED ON THIS PLAN.
  - THE PROJECT SITE IS OUTSIDE OF THE 100-YEAR FLOODPLAIN.
  - THERE ARE NO DEDICATED ASPHALT OR CONCRETE BATCH PLANTS ARE PROPOSED AS PART OF THIS PROJECT.
  - DEWATERING OPERATIONS ARE NOT ANTICIPATED FOR THIS PROJECT.
  - ALL SLOPES GREATER THAN 3:1 REQUIRE EROSION CONTROL BLANKET.
- BMP PHASING:**
- INITIAL/INTERIM**
- INSTALL VTC
  - INSTALL CWA
  - ESTABLISH SSA & STOCKPILE LOCATIONS
  - INSTALL CONSTRUCTION FENCE
  - INSTALL SILT FENCE
  - INSTALL ROUGH CUT STREET CONTROL
  - INSTALL SEDIMENT BASINS
  - INSTALL SWALES
  - INSTALL CHECK DAMS
  - INSTALL INLET/OUTLET PROTECTION
- FINAL**
- INSTALL MULCH AND PERMANENT SEEDING IN ALL DISTURBED AREAS.
  - REMOVE ALL TEMPORARY BMPs AFTER FINAL STABILIZATION HAS BEEN REACHED.

**LEGEND**

PROPOSED INTERMEDIATE CONTOUR.....	5522	INITIAL/INTERIM VEHICLE TRACKING CONTROL.....	VTC
PROPOSED INDEX CONTOUR.....	5520	INITIAL/INTERIM STABILIZED STAGING AREA.....	SSA
EX INTERMEDIATE CONTOUR.....	5364	INITIAL/INTERIM ROCK SOCKS.....	RS
EX INDEX CONTOUR.....	5365	INITIAL/INTERIM STRAW BALE CHECK DAM.....	CD
DIRECTION OF FLOW.....	←	INITIAL/INTERIM TEMPORARY SEDIMENT BASIN.....	TSB
PROJECT BOUNDARY/PROPERTY LINE.....	---	FINAL SEEDING AND MULCHING.....	SM
ROW.....	---	FINAL TURF REINFORCEMENT MAT.....	TRM
LIMITS OF DISTURBANCE/ CONSTRUCTION SITE BOUNDARY.....	---		
CUT/FILL LINE.....	CUT FILL		
INTERIM/FINAL INLET PROTECTION.....	IP		
INITIAL/INTERIM SILT FENCE.....	SF		
INITIAL/INTERIM CONCRETE WASHOUT AREA.....	CWA		

**CHECK DAM SPACING**

REFERENCE DETAIL SHEET FOR FURTHER INFORMATION

DITCH SLOPE %	CHECK DAM SPACING (FT) (A-B SEE DETAIL)
0.5	300
1.0	150
2.0	75
3.0	50
4.0	37.5
5.0	30
6.0	25

PREPARED BY:  
  
**DREXEL, BARRELL & CO.**  
 Engineers • Surveyors  
 101 SAHWATCH ST. #100  
 COLORADO SPRGS, COLORADO 80903  
 CONTACT: TIM D. MCCONNELL, P.E.  
 (719) 266-0887  
 COLORADO SPRINGS • LAFAYETTE

CLIENT:  
 FALCON LATIGO, LLC  
 5350 S. ROSLYN ST. STE #400  
 ENGLEWOOD, CO 80111-2125  
 (303) 694-0862

GRADING & EROSION CONTROL PLANS FOR:  
**LATIGO TRAILS**  
**FILING NO. 10**  
 EL PASO COUNTY  
 FALCON, COLORADO

ISSUE	DATE
INITIAL ISSUE	9/26/24
RESUBMITTAL	11/18/24

DESIGNED BY: TDM  
 DRAWN BY: GES  
 CHECKED BY: TDM  
 FILE NAME: 21820-01GC1

PREPARED UNDER MY DIRECT SUPERVISION FOR AND BEHALF OF DREXEL, BARRELL & CO.

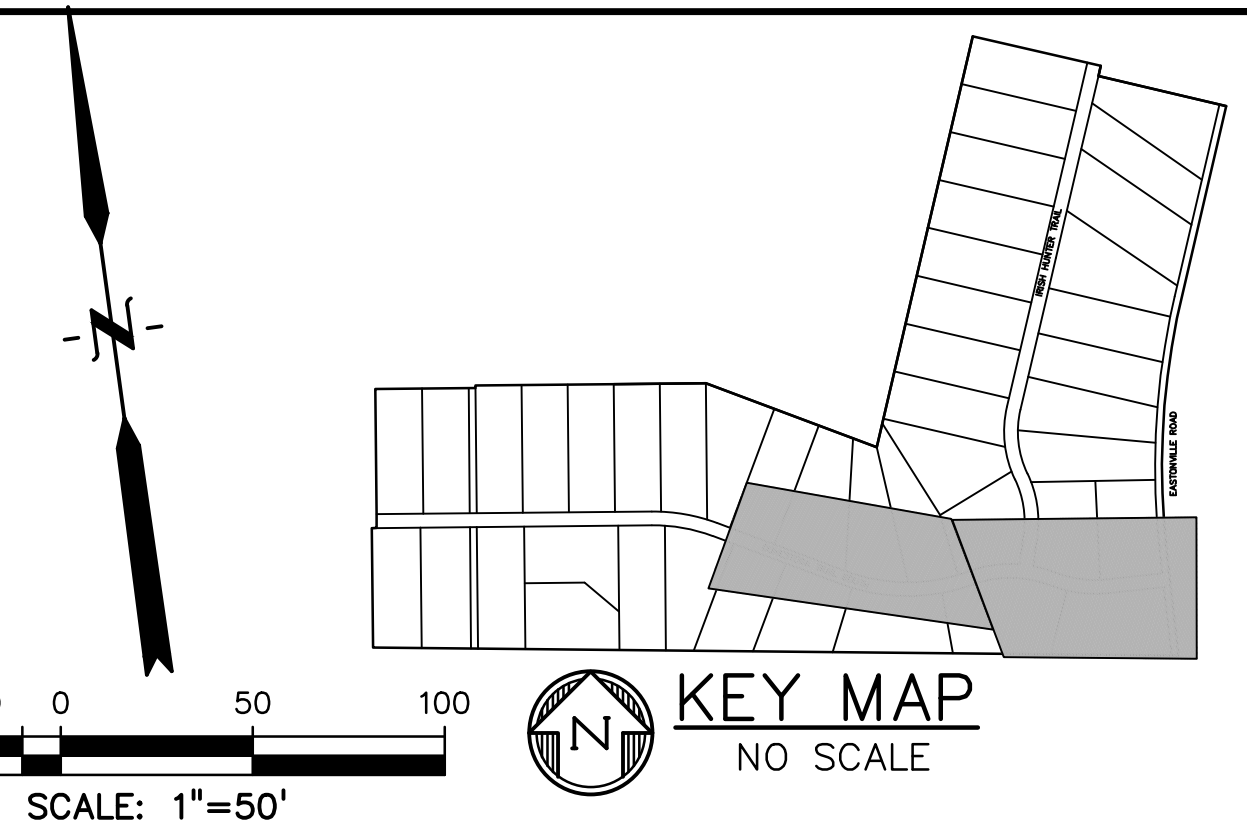
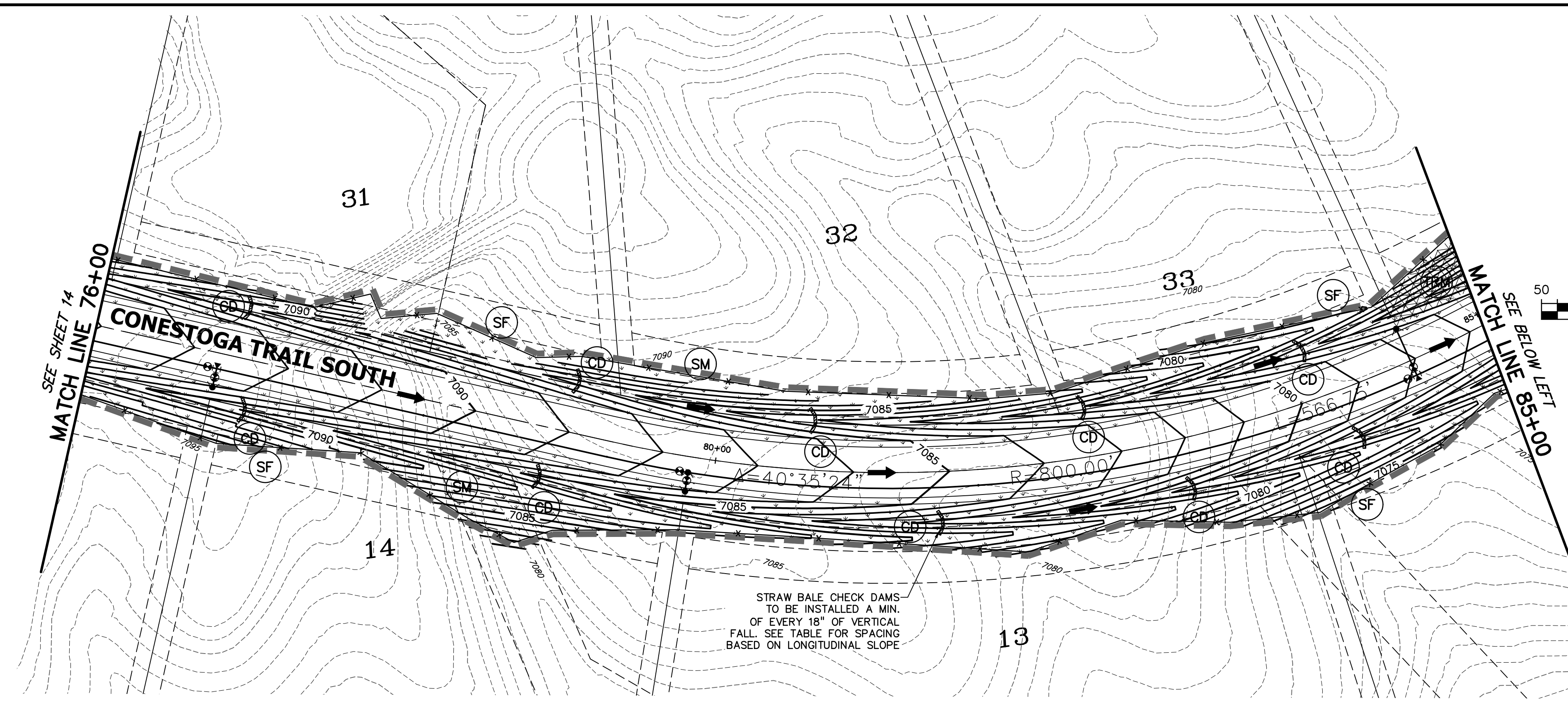
DRAWING SCALE:  
 HORIZONTAL: 1" = 50'  
 VERTICAL: N/A

**CONESTOGA TR.  
 GRADING &  
 ERSN CNTL PLAN**

PROJECT NO. 21820-01CSCV  
 DRAWING NO.

**EC-2**





**NOTES:**

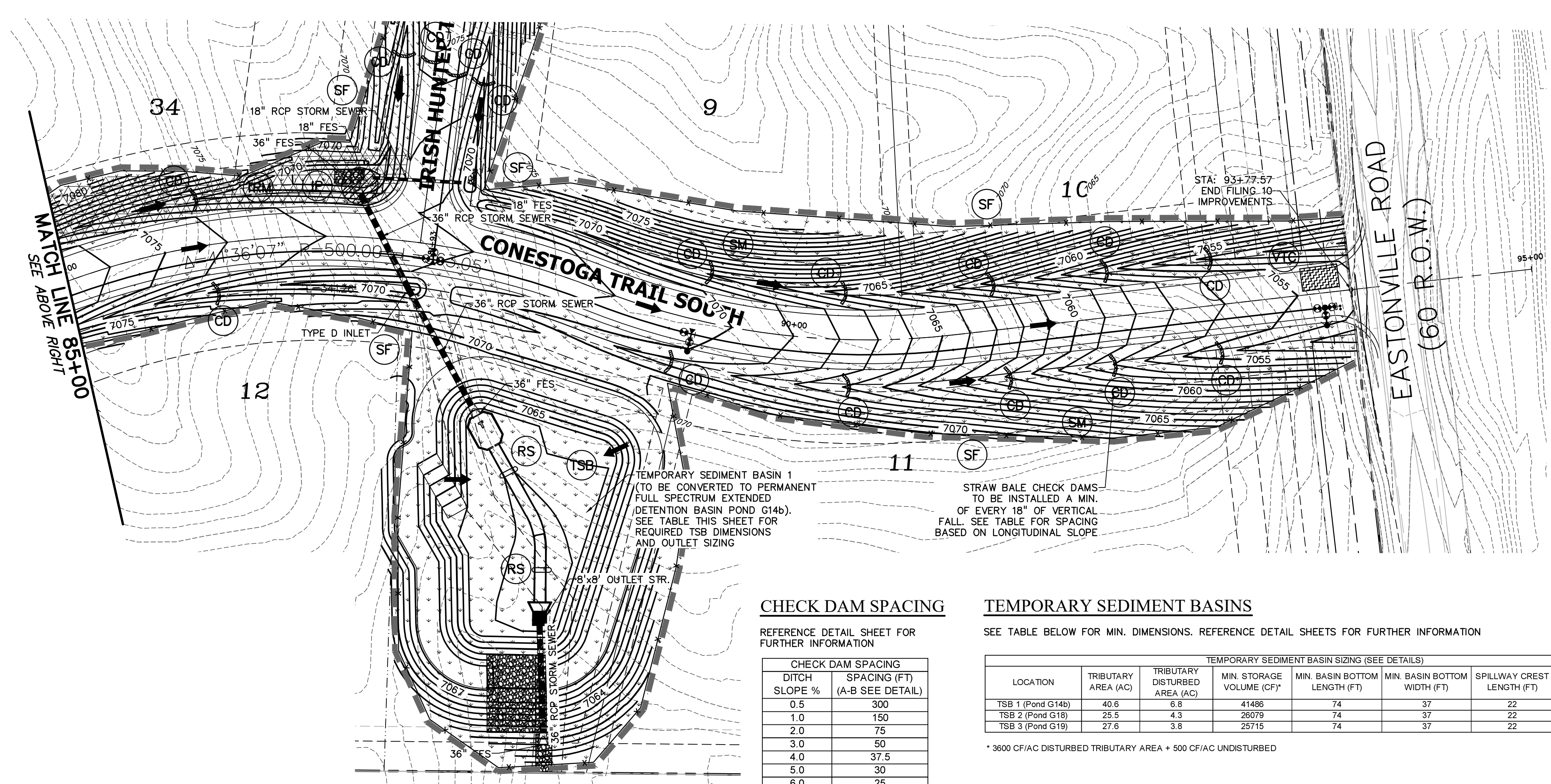
- EXISTING VEGETATION ON THE PROJECT SITE CONSISTS OF SPARSE GRASS.
- STABILIZED STAGING AREA AND CONCRETE WASHOUT LOCATION TO BE DETERMINED BY THE CONTRACTOR AND NOTED ON THIS PLAN.
- THE PROJECT SITE IS OUTSIDE OF THE 100-YEAR FLOODPLAIN.
- THERE ARE NO DEDICATED ASPHALT OR CONCRETE BATCH PLANTS PROPOSED AS PART OF THIS PROJECT.
- DEWATERING OPERATIONS ARE NOT ANTICIPATED FOR THIS PROJECT.
- ALL SLOPES GREATER THAN 3:1 REQUIRE EROSION CONTROL BLANKET.

**BMP PHASING:**

- INITIAL/INTERIM**
- INSTALL VTC
  - INSTALL CWA
  - ESTABLISH SSA & STOCKPILE LOCATIONS
  - INSTALL CONSTRUCTION FENCE
  - INSTALL SILT FENCE
  - INSTALL ROUGH CUT STREET CONTROL
  - INSTALL SEDIMENT BASINS
  - INSTALL SWALES
  - INSTALL CHECK DAMS
  - INSTALL INLET/OUTLET PROTECTION
- FINAL**
- INSTALL MULCH AND PERMANENT SEEDING IN ALL DISTURBED AREAS.
  - REMOVE ALL TEMPORARY BMPs AFTER FINAL STABILIZATION HAS BEEN REACHED.

**LEGEND**

PROPOSED INTERMEDIATE CONTOUR.....	5522
PROPOSED INDEX CONTOUR.....	5520
EX INTERMEDIATE CONTOUR.....	5364
EX INDEX CONTOUR.....	5365
DIRECTION OF FLOW.....	←
PROJECT BOUNDARY/PROPERTY LINE.....	---
ROW.....	---
LIMITS OF DISTURBANCE/ CONSTRUCTION SITE BOUNDARY.....	---
CUT/FILL LINE.....	CUT FILL
INTERIM/FINAL INLET PROTECTION.....	IP
INITIAL/INTERIM SILT FENCE.....	SF
INITIAL/INTERIM CONCRETE WASHOUT AREA.....	CWA
INITIAL/INTERIM VEHICLE TRACKING CONTROL.....	VTC
INITIAL/INTERIM STABILIZED STAGING AREA.....	SSA
INITIAL/INTERIM ROCK SOCKS.....	RS
INITIAL/INTERIM STRAW BALE CHECK DAM.....	CD
INITIAL/INTERIM TEMPORARY SEDIMENT BASIN.....	TSB
FINAL SEEDING AND MULCHING.....	SM
FINAL TURF REINFORCEMENT MAT.....	TRM



**CHECK DAM SPACING**

REFERENCE DETAIL SHEET FOR FURTHER INFORMATION

DITCH SLOPE %	SPACING (FT) (A-B SEE DETAIL)
0.5	300
1.0	150
2.0	75
3.0	50
4.0	37.5
5.0	30
6.0	25

**TEMPORARY SEDIMENT BASINS**

SEE TABLE BELOW FOR MIN. DIMENSIONS. REFERENCE DETAIL SHEETS FOR FURTHER INFORMATION

TEMPORARY SEDIMENT BASIN SIZING (SEE DETAILS)

LOCATION	TRIBUTARY AREA (AC)	TRIBUTARY DISTURBED AREA (AC)	MIN. STORAGE VOLUME (CF)*	MIN. BASIN BOTTOM LENGTH (FT)	MIN. BASIN BOTTOM WIDTH (FT)	SPILLWAY CREST LENGTH (FT)	HOLE DIAMETER (IN)
TSB 1 (Pond G14b)	40.6	6.8	41486	74	37	22	1-3/16
TSB 2 (Pond G18)	25.5	4.3	26079	74	37	22	1-3/16
TSB 3 (Pond G19)	27.6	3.8	25715	74	37	22	1-3/16

\* 3600 CF/AC DISTURBED TRIBUTARY AREA + 500 CF/AC UNDISTURBED

PREPARED BY:  
  
**DREXEL, BARRELL & CO.**  
 Engineers • Surveyors  
 101 SAWATCH ST. #100  
 COLORADO SPGS, COLORADO 80903  
 CONTACT: TIM D. MCCONNELL, P.E.  
 (719) 260-0887  
 COLORADO SPRINGS • LAFAYETTE

CLIENT:  
 FALCON LATIGO, LLC  
 5350 S. ROSLYN ST. STE #400  
 ENGLEWOOD, CO 80111-2125  
 (303) 694-0862

GRADING & EROSION CONTROL PLANS FOR:  
**LATIGO TRAILS**  
**FILING NO. 10**  
 EL PASO COUNTY  
 FALCON, COLORADO

ISSUE	DATE
INITIAL ISSUE	9/26/24
RESUBMITTAL	11/18/24

DESIGNED BY: TDM  
 DRAWN BY: GES  
 CHECKED BY: TDM  
 FILE NAME: 21820-01GC1

PREPARED UNDER MY DIRECT SUPERVISION FOR AND BEHALF OF DREXEL, BARRELL & CO.

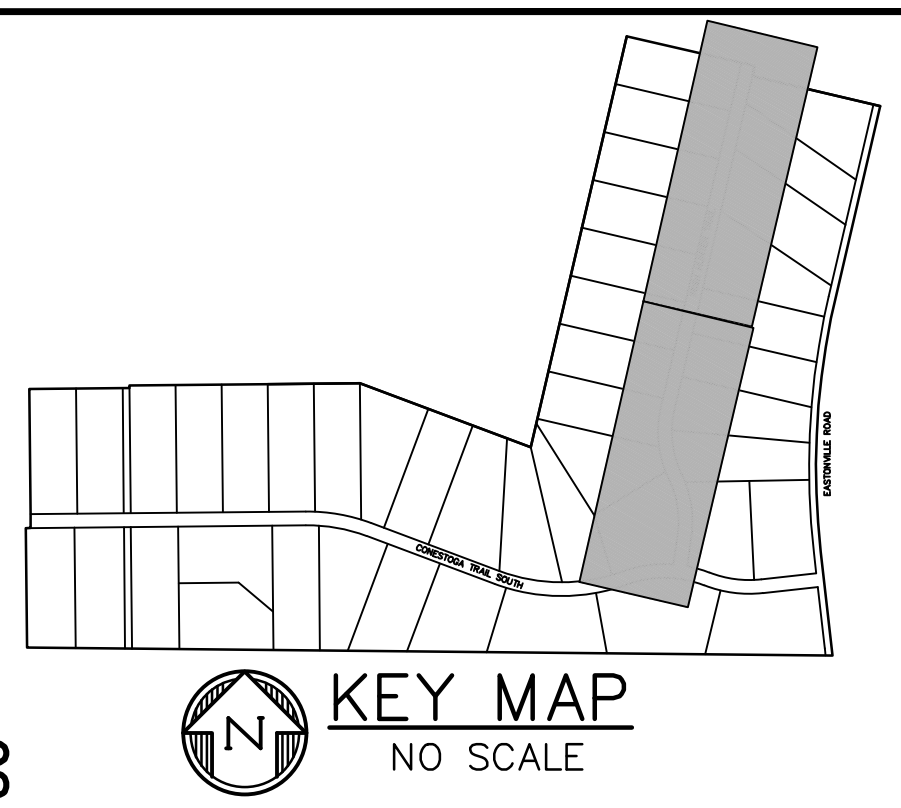
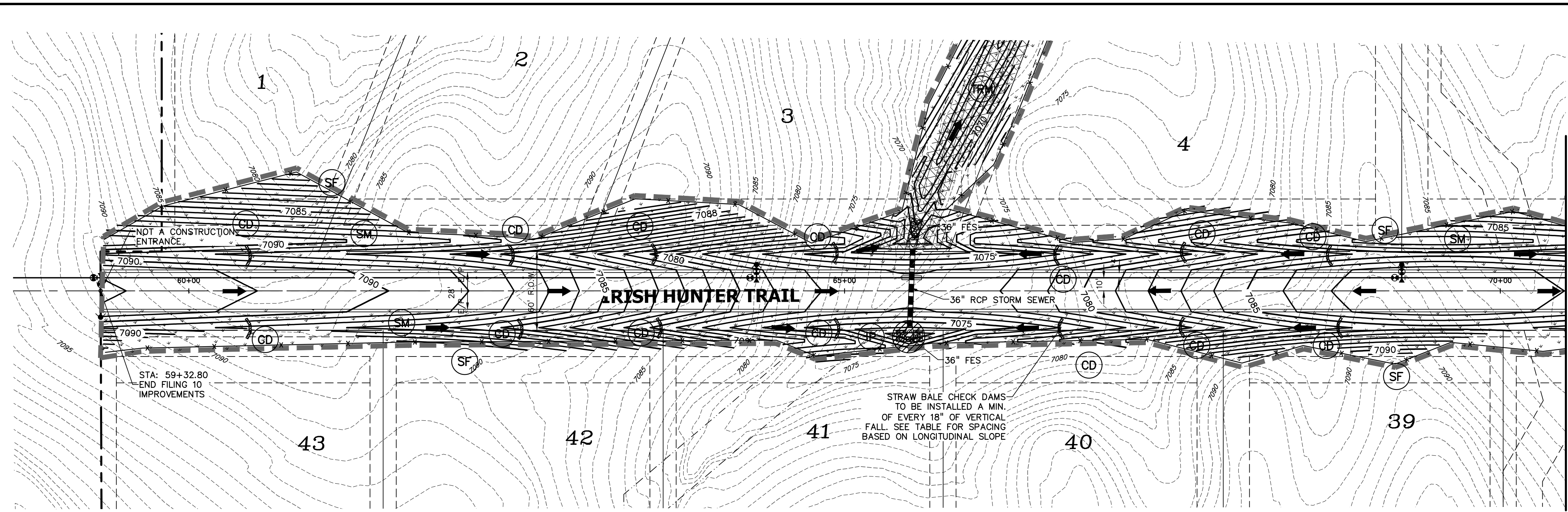
DRAWING SCALE:  
 HORIZONTAL: 1" = 50'  
 VERTICAL: N/A

**CONESTOGA TR.**  
**GRADING &**  
**ERSN CNTL PLAN**

PROJECT NO. 21820-01CSCV  
 DRAWING NO.

**EC-3**





**LEGEND**

PROPOSED INTERMEDIATE CONTOUR.....	5522
PROPOSED INDEX CONTOUR.....	5520
EX INTERMEDIATE CONTOUR.....	5364
EX INDEX CONTOUR.....	5365
DIRECTION OF FLOW.....	←
PROJECT BOUNDARY/PROPERTY LINE.....	---
ROW.....	---
LIMITS OF DISTURBANCE/ CONSTRUCTION SITE BOUNDARY.....	---
CUT/FILL LINE.....	— CUT — FILL —
INTERIM/FINAL INLET PROTECTION.....	IP
INITIAL/INTERIM SILT FENCE.....	SF
INITIAL/INTERIM CONCRETE WASHOUT AREA.....	CWA

INITIAL/INTERIM VEHICLE TRACKING CONTROL.....	VTC
INITIAL/INTERIM STABILIZED STAGING AREA.....	SSA
INITIAL/INTERIM ROCK SOCKS.....	RS
INITIAL/INTERIM STRAW BALE CHECK DAM.....	CD
INITIAL/INTERIM TEMPORARY SEDIMENT BASIN.....	TSB
FINAL SEEDING AND MULCHING.....	SM
FINAL TURF REINFORCEMENT MAT.....	TRM

**NOTES:**

- EXISTING VEGETATION ON THE PROJECT SITE CONSISTS OF SPARSE GRASS.
- STABILIZED STAGING AREA AND CONCRETE WASHOUT LOCATION TO BE DETERMINED BY THE CONTRACTOR AND NOTED ON THIS PLAN.
- THE PROJECT SITE IS OUTSIDE OF THE 100-YEAR FLOODPLAIN. THERE ARE NO DEDICATED ASPHALT OR CONCRETE BATCH PLANTS ARE PROPOSED AS PART OF THIS PROJECT.
- DEWATERING OPERATIONS ARE NOT ANTICIPATED FOR THIS PROJECT.
- ALL SLOPES GREATER THAN 3:1 REQUIRE EROSION CONTROL BLANKET.

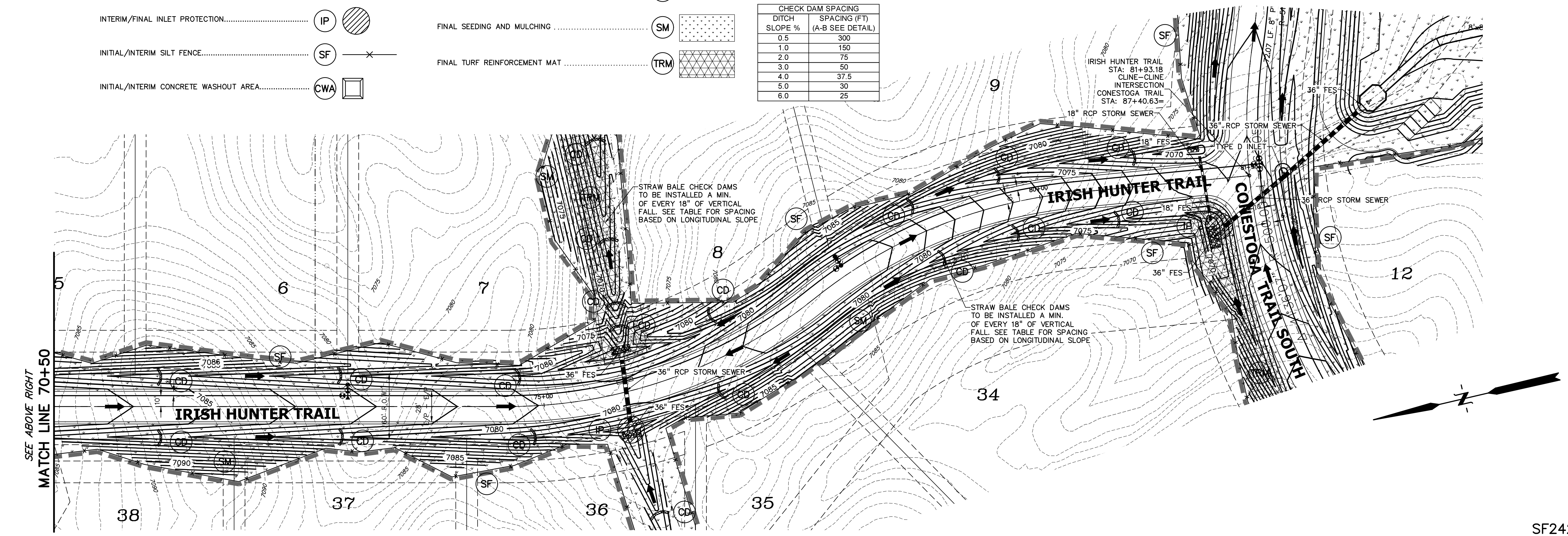
**CHECK DAM SPACING**

REFERENCE DETAIL SHEET FOR FURTHER INFORMATION

DITCH SLOPE %	SPACING (FT) (A-B SEE DETAIL)
0.5	300
1.0	150
2.0	75
3.0	50
4.0	37.5
5.0	30
6.0	25

**BMP PHASING:**

- INITIAL/INTERIM**
- INSTALL VTC
  - INSTALL CWA
  - ESTABLISH SSA & STOCKPILE LOCATIONS
  - INSTALL CONSTRUCTION FENCE
  - INSTALL SILT FENCE
  - INSTALL ROUGH CUT STREET CONTROL
  - INSTALL SEDIMENT BASINS
  - INSTALL SWALES
  - INSTALL CHECK DAMS
  - INSTALL INLET/OUTLET PROTECTION
- FINAL**
- INSTALL MULCH AND PERMANENT SEEDING IN ALL DISTURBED AREAS.
  - REMOVE ALL TEMPORARY BMPs AFTER FINAL STABILIZATION HAS BEEN REACHED.



PREPARED BY:  
  
**DREXEL, BARRELL & CO.**  
 Engineers • Surveyors  
 101 SAWATCH ST. #100  
 COLORADO SPGS, COLORADO 80903  
 CONTACT: TIM D. MCCONNELL, P.E.  
 (719) 260-0887  
 COLORADO SPRINGS • LAFAYETTE

CLIENT:  
 FALCON LATIGO, LLC  
 5350 S. ROSLYN ST. STE #400  
 ENGLEWOOD, CO 80111-2125  
 (303) 694-0862

GRADING & EROSION CONTROL PLANS FOR:  
**LATIGO TRAILS**  
**FILING NO. 10**  
 EL PASO COUNTY  
 FALCON, COLORADO

ISSUE	DATE
INITIAL ISSUE	9/26/24
RESUBMITTAL	11/18/24

DESIGNED BY: TDM  
 DRAWN BY: GES  
 CHECKED BY: TDM  
 FILE NAME: 21820-01GC2

PREPARED UNDER MY DIRECT SUPERVISION FOR AND BEHALF OF DREXEL, BARRELL & CO.

DRAWING SCALE:  
 HORIZONTAL: 1" = 50'  
 VERTICAL: N/A

**IRISH HUNTER GRADING & ERSN CNTL PLAN**

PROJECT NO. 21820-01CSCV  
 DRAWING NO.

**EC-4**



PREPARED BY:  
  
**DREXEL, BARRELL & CO.**  
 Engineers • Surveyors  
 101 SAWATCH ST. #100  
 COLORADO SPGS, COLORADO 80903  
 CONTACT: TIM D. McCONNELL, P.E.  
 (719)260-0887  
 COLORADO SPRINGS • LAFAYETTE

CLIENT:  
 FALCON LATIGO, LLC  
 5350 S. ROSLYN ST. STE #400  
 ENGLEWOOD, CO 80111-2125  
 (303) 694-0862

GRADING & EROSION CONTROL PLANS FOR:  
**LATIGO TRAILS**  
**FILING NO. 10**  
 EL PASO COUNTY  
 FALCON, COLORADO

ISSUE	DATE
INITIAL ISSUE	9/26/24
RESUBMITTAL	11/18/24
DESIGNED BY:	TDM
DRAWN BY:	GES
CHECKED BY:	TDM
FILE NAME:	21820-01GC2

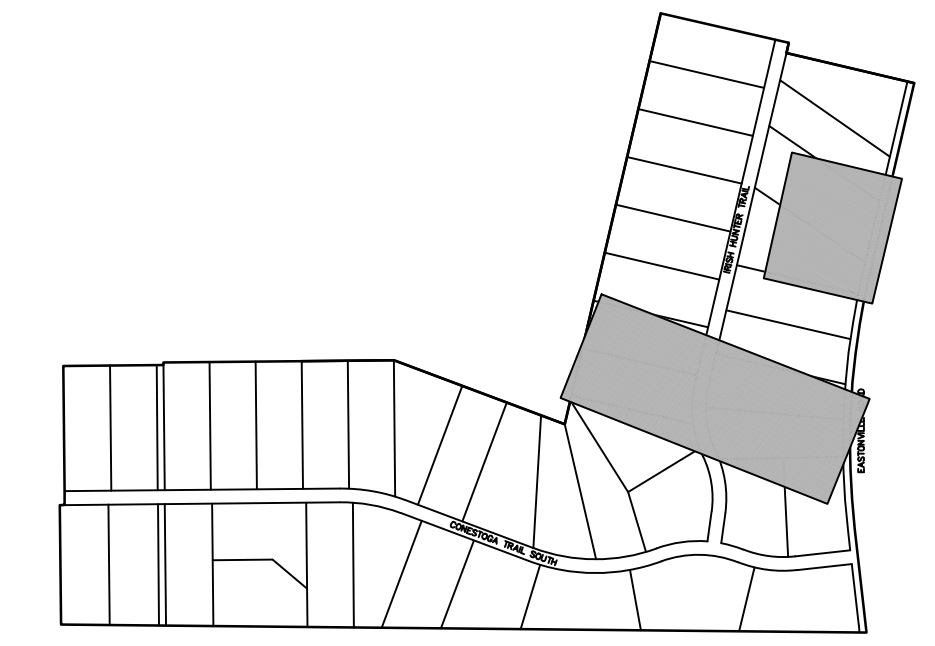
PREPARED UNDER MY DIRECT SUPERVISION FOR AND BEHALF OF DREXEL, BARRELL & CO.

DRAWING SCALE:  
 HORIZONTAL: 1" = 50'  
 VERTICAL: N/A

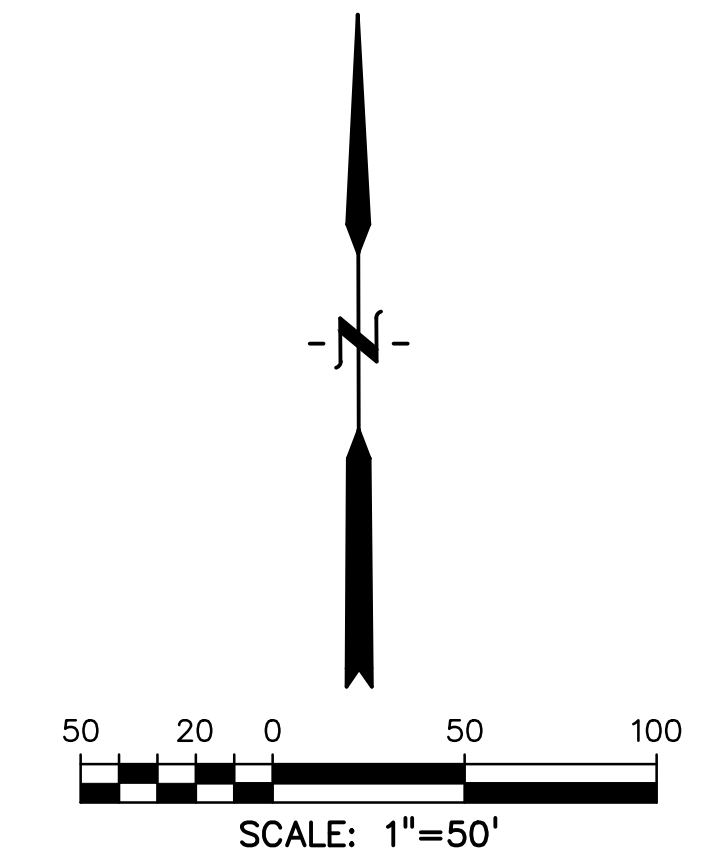
**POND G18 & G19 ERN CNTL PLAN**

PROJECT NO. 21820-01CSCV  
 DRAWING NO.

**EC-5**



KEY MAP  
NO SCALE



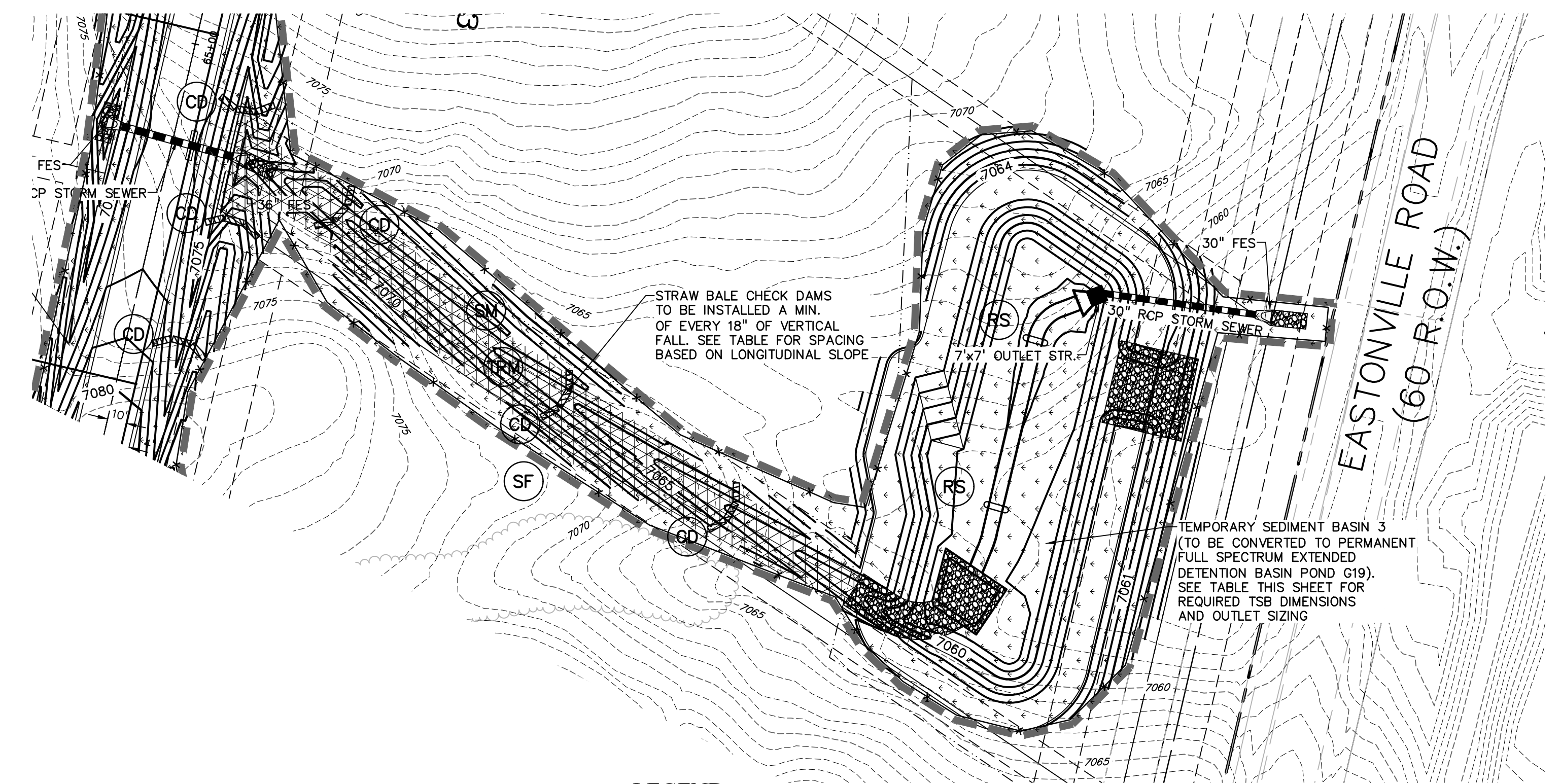
**NOTES:**

- EXISTING VEGETATION ON THE PROJECT SITE CONSISTS OF SPARSE GRASS.
- STABILIZED STAGING AREA AND CONCRETE WASHOUT LOCATION TO BE DETERMINED BY THE CONTRACTOR AND NOTED ON THIS PLAN.
- THE PROJECT SITE IS OUTSIDE OF THE 100-YEAR FLOODPLAIN.
- THERE ARE NO DEDICATED ASPHALT OR CONCRETE BATCH PLANTS PROPOSED AS PART OF THIS PROJECT.
- DEWATERING OPERATIONS ARE NOT ANTICIPATED FOR THIS PROJECT.
- ALL SLOPES GREATER THAN 3:1 REQUIRE EROSION CONTROL BLANKET.

**BMP PHASING:**

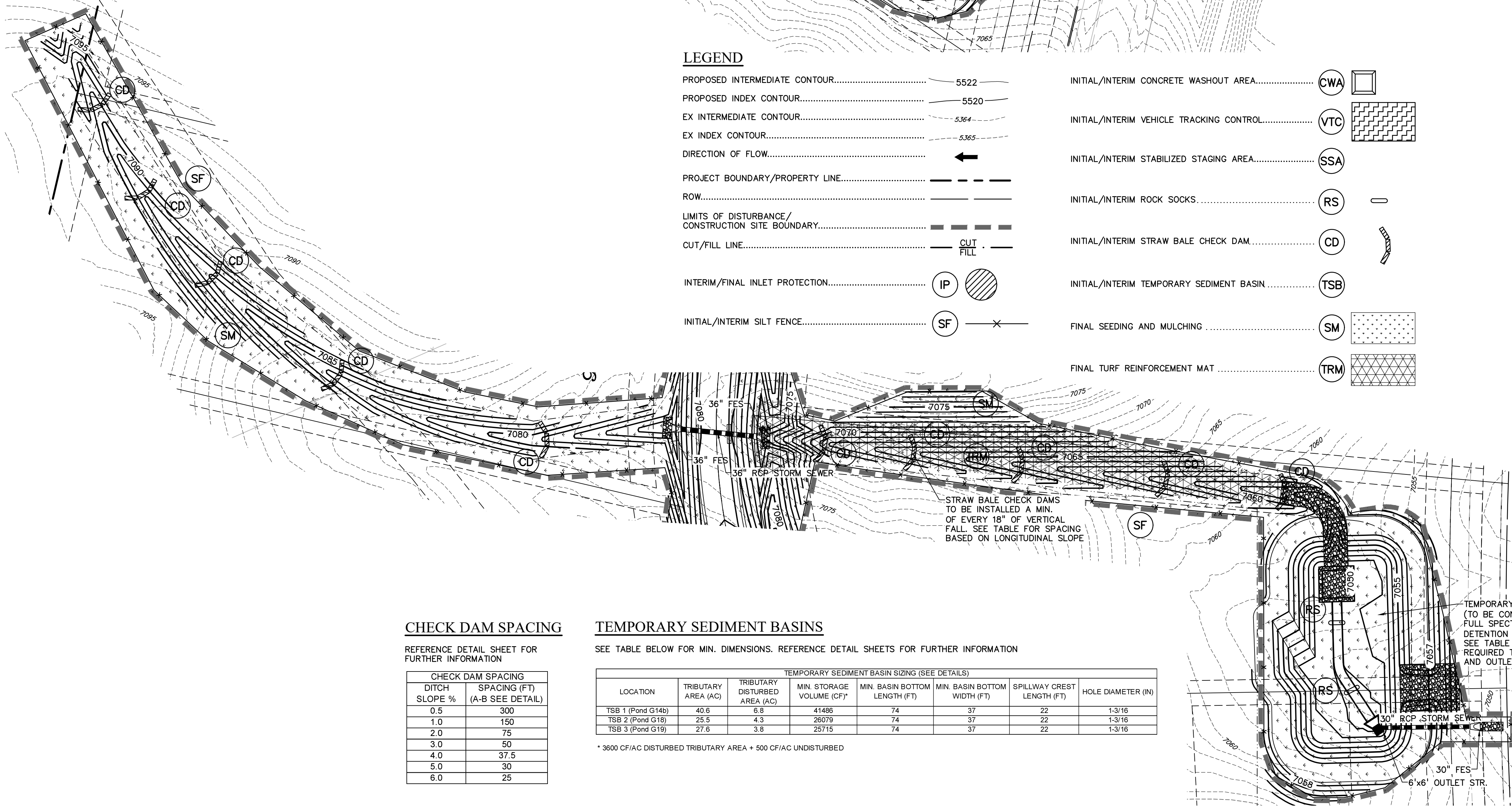
- INITIAL/INTERIM**
- INSTALL VTC
  - INSTALL CWA
  - ESTABLISH SSA & STOCKPILE LOCATIONS
  - INSTALL CONSTRUCTION FENCE
  - INSTALL SILT FENCE
  - INSTALL ROUGH CUT STREET CONTROL
  - INSTALL SEDIMENT BASINS
  - INSTALL SWALES
  - INSTALL CHECK DAMS
  - INSTALL INLET/OUTLET PROTECTION

- FINAL**
- INSTALL MULCH AND PERMANENT SEEDING IN ALL DISTURBED AREAS.
  - REMOVE ALL TEMPORARY BMPs AFTER FINAL STABILIZATION HAS BEEN REACHED.



**LEGEND**

PROPOSED INTERMEDIATE CONTOUR.....	5522	INITIAL/INTERM CONCRETE WASHOUT AREA.....	CWA
PROPOSED INDEX CONTOUR.....	5520	INITIAL/INTERM VEHICLE TRACKING CONTROL.....	VTC
EX INTERMEDIATE CONTOUR.....	5364	INITIAL/INTERM STABILIZED STAGING AREA.....	SSA
EX INDEX CONTOUR.....	5365	INITIAL/INTERM ROCK SOCKS.....	RS
DIRECTION OF FLOW.....	←	INITIAL/INTERM STRAW BALE CHECK DAM.....	CD
PROJECT BOUNDARY/PROPERTY LINE.....	---	INITIAL/INTERM TEMPORARY SEDIMENT BASIN.....	TSB
ROW.....	---	INITIAL/INTERM FINAL SEEDING AND MULCHING.....	SM
LIMITS OF DISTURBANCE/ CONSTRUCTION SITE BOUNDARY.....	---	INITIAL/INTERM TEMPORARY TURF REINFORCEMENT MAT.....	TRM
CUT/FILL LINE.....	---		
INTERIM/FINAL INLET PROTECTION.....	IP		
INITIAL/INTERM SILT FENCE.....	SF		



**CHECK DAM SPACING**

REFERENCE DETAIL SHEET FOR FURTHER INFORMATION

DITCH SLOPE %	SPACING (FT) (A-B SEE DETAIL)
0.5	300
1.0	150
2.0	75
3.0	50
4.0	37.5
5.0	30
6.0	25

**TEMPORARY SEDIMENT BASINS**

SEE TABLE BELOW FOR MIN. DIMENSIONS. REFERENCE DETAIL SHEETS FOR FURTHER INFORMATION

LOCATION	TRIBUTARY AREA (AC)	TRIBUTARY DISTURBED AREA (AC)	TEMPORARY SEDIMENT BASIN SIZING (SEE DETAILS)				HOLE DIAMETER (IN)
			MIN. STORAGE VOLUME (CF)*	MIN. BASIN BOTTOM LENGTH (FT)	MIN. BASIN BOTTOM WIDTH (FT)	SPILLWAY CREST LENGTH (FT)	
TSB 1 (Pond G14b)	40.6	6.8	41486	74	37	22	1-3/16
TSB 2 (Pond G18)	25.5	4.3	26079	74	37	22	1-3/16
TSB 3 (Pond G19)	27.6	3.8	25715	74	37	22	1-3/16

\* 3600 CF/AC DISTURBED TRIBUTARY AREA + 500 CF/AC UNDISTURBED



ISSUE	DATE
INITIAL ISSUE	9/26/24
RESUBMITTAL	11/18/24

DESIGNED BY:	KGV
DRAWN BY:	KGV
CHECKED BY:	TDM
FILE NAME:	21820-01DT3

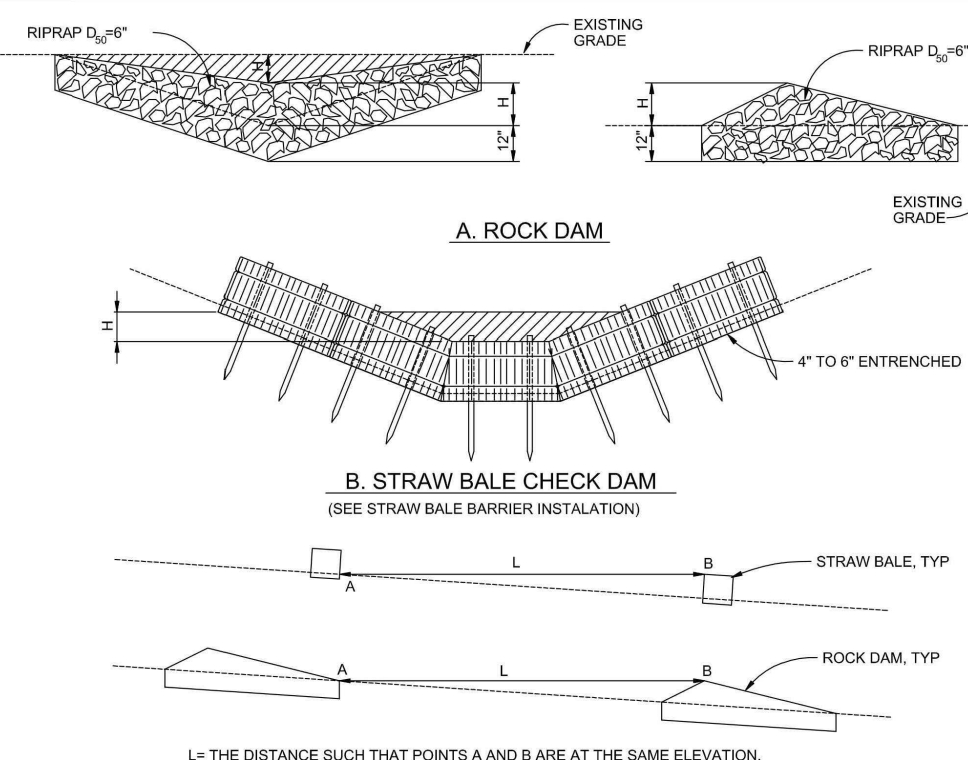
PREPARED UNDER MY DIRECT SUPERVISION FOR AND BEHALF OF DREXEL, BARRELL & CO.

DRAWING SCALE:  
 HORIZONTAL: N/A  
 VERTICAL: N/A

**GRADING & EROSION CONTROL DETAILS**

PROJECT NO. 21820-01CSCV  
 DRAWING NO.

**DT1**



**A. ROCK DAM**  
 EXISTING GRADE  
 RFRAP D<sub>50</sub> 4"  
 4" TO 6" ENTRENCHED

**B. STRAW BALE CHECK DAM**  
 (SEE STRAW BALE BARRIER INSTALLATION)  
 STRAW BALE TYP  
 ROCK DAM TYP

**C. SPACING CHECK DAMS**  
 L= THE DISTANCE SUCH THAT POINTS A AND B ARE AT THE SAME ELEVATION.

**CHECK DAM NOTES**

**INSTALLATION REQUIREMENTS**

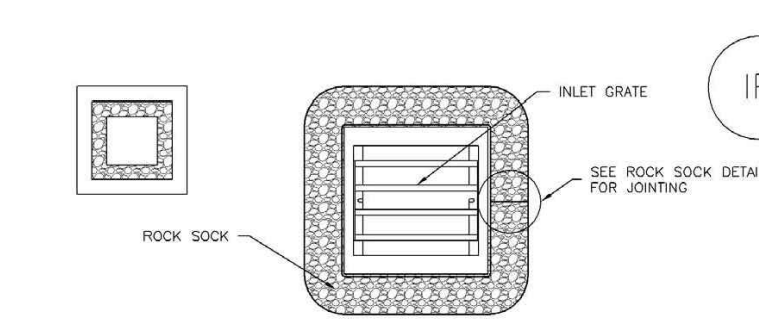
1. STRAW BALES USED AS CHECK DAMS ARE TO MEET THE REQUIREMENTS STATED IN FIGURE SB-1.
2. THE 4" DIMENSION SHALL BE SELECTED TO PROVIDE WEIR FLOW CONVEYANCE FOR 2-YEAR FLOW OR GREATER.
3. CHECK DAMS ARE TO REMAIN IN PLACE AND OPERATIONAL UNTIL THE DRAINAGE AREA AND CHANNEL ARE PERMANENTLY STABILIZED.
4. WHEN CHECK DAMS ARE REMOVED THE CHANNEL LINING OR VEGETATION IS TO BE RESTORED.

**MAINTENANCE REQUIREMENTS**

1. REGULAR INSPECTIONS ARE TO BE MADE OF ALL CHECK DAMS, ESPECIALLY AFTER STORM EVENTS.
2. REPLACE STONE AS NECESSARY TO MAINTAIN THE CORRECT HEIGHT OF THE DAM.
3. ACCUMULATED SEDIMENT AND DEBRIS IS TO BE REMOVED FROM BEHIND THE DAMS AFTER EACH STORM OR WHEN 10% OF THE ORIGINAL HEIGHT OF THE DAM IS REACHED.
4. WHEN CHECK DAMS ARE REMOVED THE CHANNEL LINING OR VEGETATION IS TO BE RESTORED.

City of Colorado Springs Stormwater Quality      Figure CD-1 Check Dam Construction Detail and Maintenance Requirements

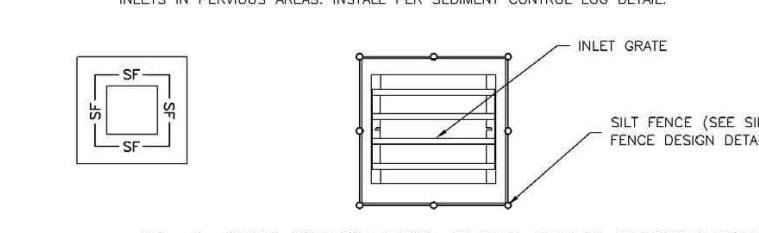
**Inlet Protection (IP) SC-6**



**IP-3. ROCK SOCK SUMP/AREA INLET PROTECTION**

**ROCK SOCK SUMP/AREA INLET PROTECTION INSTALLATION NOTES**

1. SEE ROCK SOCK DESIGN DETAIL FOR INSTALLATION REQUIREMENTS.
2. STRAW MATS/SEDIMENT CONTROL LOSS MAY BE USED IN PLACE OF ROCK SOCKS FOR INLETS IN PERVIOUS AREAS. INSTALL PER SEDIMENT CONTROL LOG DETAIL.



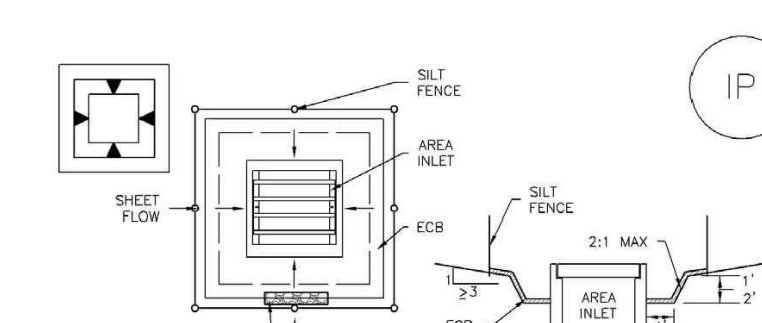
**IP-4. SILT FENCE FOR SUMP INLET PROTECTION**

**SILT FENCE INLET PROTECTION INSTALLATION NOTES**

1. SEE SILT FENCE DESIGN DETAIL FOR INSTALLATION REQUIREMENTS.
2. POSTS SHALL BE PLACED AT EACH CORNER OF THE INLET AND AROUND THE EDGES AT A MAXIMUM SPACING OF 3 FEET.
3. STRAW MATS/SEDIMENT CONTROL LOSS MAY BE USED IN PLACE OF SILT FENCE FOR INLETS IN PERVIOUS AREAS. INSTALL PER SEDIMENT CONTROL LOG DETAIL.

August 2013      Urban Drainage and Flood Control District Urban Storm Drainage Criteria Manual Volume 3      IP-5

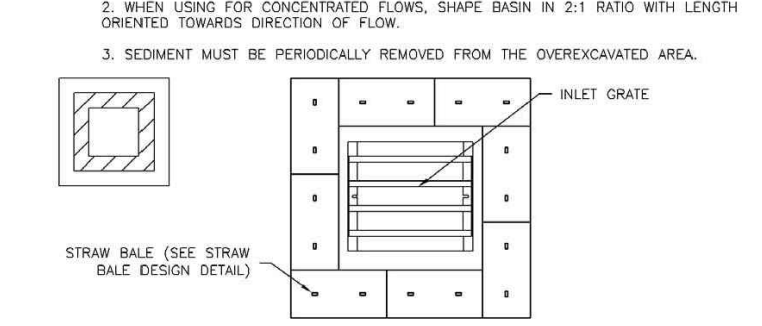
**SC-6 Inlet Protection (IP)**



**IP-5. OVEREXCAVATION INLET PROTECTION**

**OVEREXCAVATION INLET PROTECTION INSTALLATION NOTES**

1. THIS FORM OF INLET PROTECTION IS PRIMARILY APPLICABLE FOR SITES THAT HAVE NOT YET REACHED FINAL GRADE AND SHOULD BE USED ONLY FOR INLETS WITH A RELATIVELY SMALL CONTRIBUTING DRAINAGE AREA.
2. WHEN USING FOR CONCENTRATED FLOWS, SHAPE BASIN IN 2:1 RATIO WITH LENGTH ORIENTED TOWARD DIRECTION OF FLOW.
3. SEDIMENT MUST BE PERIODICALLY REMOVED FROM THE OVEREXCAVATED AREA.



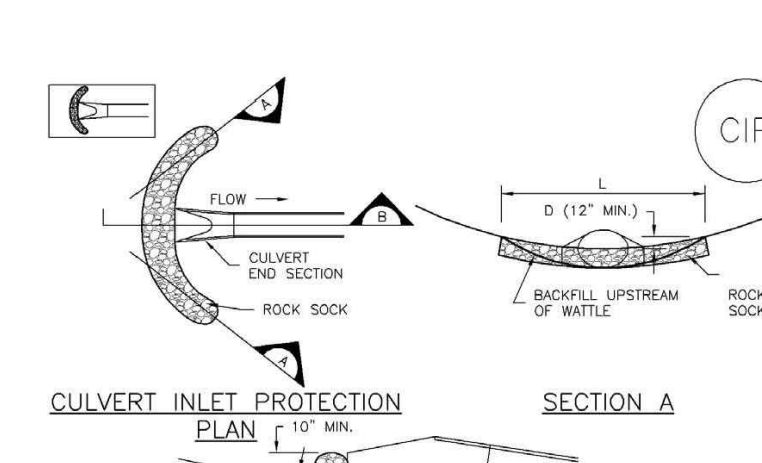
**IP-6. STRAW BALE FOR SUMP INLET PROTECTION**

**STRAW BALE BARRIER INLET PROTECTION INSTALLATION NOTES**

1. SEE STRAW BALE DESIGN DETAIL FOR INSTALLATION REQUIREMENTS.
2. BALES SHALL BE PLACED IN A SINGLE ROW AROUND THE INLET WITH ENDS OF BALES THOROUGHLY ABUTTING ONE ANOTHER.

August 2013      Urban Drainage and Flood Control District Urban Storm Drainage Criteria Manual Volume 3      IP-6

**Inlet Protection (IP) SC-6**



**CIP-1. CULVERT INLET PROTECTION**

**CULVERT INLET PROTECTION INSTALLATION NOTES**

1. SEE PLAN VIEW FOR:
  - LOCATION OF CULVERT INLET PROTECTION.
2. SEE ROCK SOCK DESIGN DETAIL FOR ROCK GRADATION REQUIREMENTS AND JOINTING DETAIL.

**CULVERT INLET PROTECTION MAINTENANCE NOTES**

1. INSPECT BMPs EACH WORKDAY, AND MAINTAIN THEM IN EFFECTIVE OPERATING CONDITION. MAINTENANCE OF BMPs SHOULD BE PROACTIVE, NOT REACTIVE. INSPECT BMPs AS SOON AS POSSIBLE (AND ALWAYS WITHIN 24 HOURS FOLLOWING A STORM THAT CAUSES SURFACE EROSION, AND PERFORM NECESSARY MAINTENANCE).
2. FREQUENT OBSERVATIONS AND MAINTENANCE ARE NECESSARY TO MAINTAIN BMPs IN EFFECTIVE OPERATING CONDITION. INSPECTIONS AND CORRECTIVE MEASURES SHOULD BE DOCUMENTED THOROUGHLY.
3. WHERE BMPs HAVE FAILED, REPAIR OR REPLACEMENT SHOULD BE INITIATED UPON DISCOVERY OF THE FAILURE.
4. SEDIMENT ACCUMULATED UPSTREAM OF THE CULVERT SHALL BE REMOVED WHEN THE SEDIMENT DEPTH IS 3/4 THE HEIGHT OF THE ROCK SOCK.
5. CULVERT INLET PROTECTION SHALL REMAIN IN PLACE UNTIL THE UPSTREAM DISTURBED AREA IS PERMANENTLY STABILIZED AND APPROVED BY THE LOCAL JURISDICTION.

August 2013      Urban Drainage and Flood Control District Urban Storm Drainage Criteria Manual Volume 3      IP-7

**SC-6 Inlet Protection (IP)**

**GENERAL INLET PROTECTION INSTALLATION NOTES**

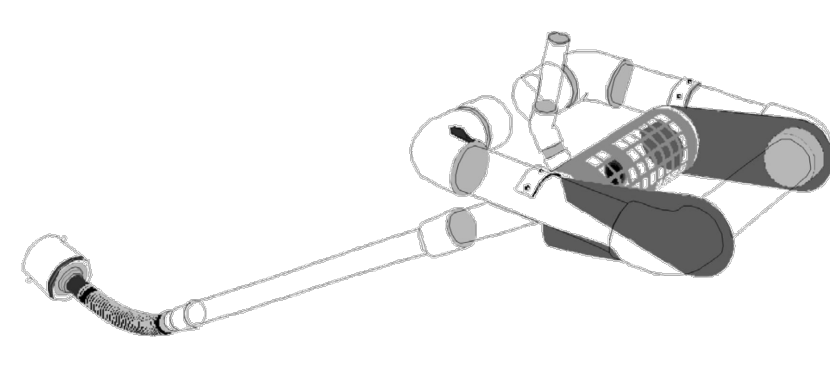
1. SEE PLAN VIEW FOR:
  - LOCATION OF INLET PROTECTION.
  - TYPE OF INLET PROTECTION (IP-1, IP-2, IP-3, IP-4, IP-5, IP-6)
2. INLET PROTECTION SHALL BE INSTALLED PROMPTLY AFTER INLET CONSTRUCTION OR PAVING IS COMPLETE (TYPICALLY WITHIN 48 HOURS). IF A BARRIAGE/STORM EVENT IS FORECAST, INSTALL INLET PROTECTION PRIOR TO ONSET OF EVENT.
3. MANY JURISDICTIONS HAVE BMP DETAILS THAT VARY FROM USDFCD STANDARD DETAILS. CONSULT WITH LOCAL JURISDICTIONS AS TO WHICH DETAIL SHOULD BE USED WHEN DIFFERENCES ARE NOTED.

**INLET PROTECTION MAINTENANCE NOTES**

1. INSPECT BMPs EACH WORKDAY, AND MAINTAIN THEM IN EFFECTIVE OPERATING CONDITION. MAINTENANCE OF BMPs SHOULD BE PROACTIVE, NOT REACTIVE. INSPECT BMPs AS SOON AS POSSIBLE (AND ALWAYS WITHIN 24 HOURS FOLLOWING A STORM THAT CAUSES SURFACE EROSION, AND PERFORM NECESSARY MAINTENANCE).
2. FREQUENT OBSERVATIONS AND MAINTENANCE ARE NECESSARY TO MAINTAIN BMPs IN EFFECTIVE OPERATING CONDITION. INSPECTIONS AND CORRECTIVE MEASURES SHOULD BE DOCUMENTED THOROUGHLY.
3. WHERE BMPs HAVE FAILED, REPAIR OR REPLACEMENT SHOULD BE INITIATED UPON DISCOVERY OF THE FAILURE.
4. SEDIMENT ACCUMULATED UPSTREAM OF INLET PROTECTION SHALL BE REMOVED AS NECESSARY TO MAINTAIN BMP EFFECTIVENESS. TYPICALLY WHEN STORAGE VOLUME REACHES 50% OF CAPACITY, A DEPTH OF 6" WHEN SILT FENCE IS USED, OR 1/4 OF THE HEIGHT FOR STRAW BALES.
5. INLET PROTECTION IS TO REMAIN IN PLACE UNTIL THE UPSTREAM DISTURBED AREA IS PERMANENTLY STABILIZED. UNLESS THE LOCAL JURISDICTION APPROVES EARLIER REMOVAL OF INLET PROTECTION IN STREETS.
6. WHEN INLET PROTECTION AT AREA INLETS IS REMOVED, THE DISTURBED AREA SHALL BE COVERED WITH TOP SOIL, SEEDS AND MULCHES, OR OTHERWISE STABILIZED IN A MANNER APPROVED BY THE LOCAL JURISDICTION.

August 2013      Urban Drainage and Flood Control District Urban Storm Drainage Criteria Manual Volume 3      IP-8

**Sediment Basin (SB) SC-7**



**Illustration SB-1. Outlet structure for a temporary sediment basin - Faircloth Skimmer Floating Outlet. Illustration courtesy of J. W. Faircloth & Sons, Inc., FairclothSkimmer.com.**

**Outlet Protection and Spillway:** Consider all flow paths for runoff leaving the basin, including protection at the typical point of discharge as well as overtopping.

- o **Outlet Protection:** Outlet protection should be provided where the velocity of flow will exceed the maximum permissible velocity of the material of the waterway into which discharge occurs. This may require the use of a riprap apron at the outlet location and/or other measures to keep the waterway from eroding.
- o **Emergency Spillway:** Provide a stabilized emergency overflow spillway for rainstorms that exceed the capacity of the sediment basin volume and its outlet. Protect basin embankments from erosion and overtopping. If the sediment basin will be converted to a permanent detention basin, design and construct the emergency spillway(s) as required for the permanent facility. If the sediment basin will not become a permanent detention basin, it may be possible to substitute a heavy polyvinyl membrane or properly bedded rock cover to line the spillway and downstream embankment, depending on the height, slope, and width of the embankments.

August 2013      Urban Drainage and Flood Control District Urban Storm Drainage Criteria Manual Volume 3      SB-3

**SC-7 Sediment Basin (SB)**

**Maintenance and Removal**

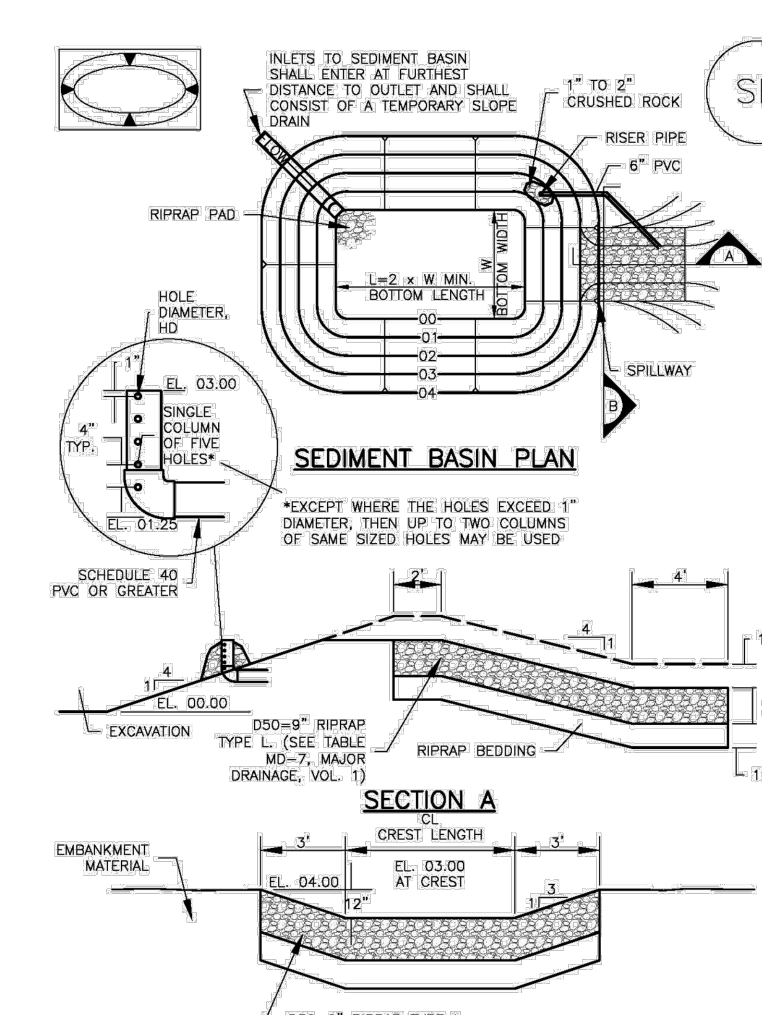
Maintenance activities include the following:

- Dredge sediment from the basin, as needed to maintain BMP effectiveness, typically when the design storage volume is no more than one-third filled with sediment.
- Inspect the sediment basin embankments for stability and seepage.
- Inspect the inlet and outlet of the basin, repair damage, and remove debris. Remove, clean and replace the gravel around the outlet on a regular basis to remove the accumulated sediment within it and keep the outlet functioning.
- Be aware that removal of a sediment basin may require dewatering and associated permit requirements.
- Do not remove a sediment basin until the upstream area has been stabilized with vegetation.

Final disposition of the sediment basin depends on whether the basin will be converted to a permanent post-construction stormwater basin or whether the basin area will be returned to grade. For basins being converted to permanent detention basins, remove accumulated sediment and reconfigure the basin and outlet to meet the requirements of the final design for the detention facility. If the sediment basin is not to be used as a permanent detention facility, fill the excavated area with soil and stabilize with vegetation.

August 2013      Urban Drainage and Flood Control District Urban Storm Drainage Criteria Manual Volume 3      SB-4

**Sediment Basin (SB) SC-7**



**SEDIMENT BASIN PLAN**

**SECTION A**

August 2013      Urban Drainage and Flood Control District Urban Storm Drainage Criteria Manual Volume 3      SB-5

**SC-7 Sediment Basin (SB)**

TABLE SB-1. SIZING INFORMATION FOR STANDARD SEDIMENT BASIN	Basin Bottom Width (ft)	Spillway Crest Length (ft)	Hole Diameter (ft)
1	12	3	1/2
2	15	4	3/4
3	18	5	1
4	21	6	1 1/4
5	24	7	1 1/2
6	27	8	1 3/4
7	30	9	2
8	33	10	2 1/4
9	36	11	2 1/2
10	39	12	2 3/4
11	42	13	3
12	45	14	3 1/4
13	48	15	3 1/2
14	51	16	3 3/4
15	54	17	4

**SEDIMENT BASIN INSTALLATION NOTES**

1. SEE PLAN VIEW FOR:
  - LOCATION OF SEDIMENT BASIN.
  - TYPE OF BASIN (STANDARD BASIN OR NONSTANDARD BASIN).
  - FOR STANDARD BASIN, BOTTOM WIDTH W, CREST LENGTH CL, AND HOLE DIAMETER, HD.
  - FOR NONSTANDARD BASIN, SEE CONSTRUCTION DRAWINGS FOR DESIGN OF BASIN INCLUDING RISER HEIGHT H, NUMBER OF COLUMNS N, HOLE DIAMETER HD AND PIPE DIAMETER D.
2. FOR STANDARD BASIN, BOTTOM DIMENSION MAY BE MODIFIED AS LONG AS BOTTOM AREA IS NOT REDUCED.
3. SEDIMENT BASINS SHALL BE INSTALLED PRIOR TO ANY OTHER LAND-USE/DRIBBING ACTIVITY THAT RELIES ON OR BEGINS AS A STORMWATER CONTROL.
4. EMBANKMENT MATERIAL SHALL CONSIST OF SOIL FREE OF DEBRIS, ORGANIC MATERIAL, AND ROCKS OR CONCRETE GREATER THAN 3 INCHES AND SHALL HAVE A MINIMUM OF 15 PERCENT BY WEIGHT PASSING THE NO. 200 SIEVE.
5. EMBANKMENT MATERIAL SHALL BE COMPACTED TO AT LEAST 95 PERCENT OF MAXIMUM DENSITY IN ACCORDANCE WITH ASTM D1556.
6. PIPE SOH 40 OR GREATER SHALL BE USED.
7. THE DETAILS SHOWN ON THESE SHEETS PERTAIN TO STANDARD SEDIMENT BASINS FOR DRAINAGE AREAS LESS THAN 15 ACRES. SEE CONSTRUCTION DRAWINGS FOR EMBANKMENT, STORAGE VOLUME, SPILLWAY, OUTLET, AND OUTLET PROTECTION DETAILS FOR ANY SEDIMENT BASINS THAT HAVE BEEN INDIVIDUALLY DESIGNED FOR DRAINAGE AREAS LARGER THAN 15 ACRES.

August 2013      Urban Drainage and Flood Control District Urban Storm Drainage Criteria Manual Volume 3      SB-6

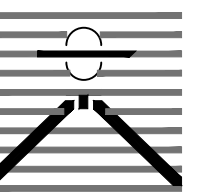
**Sediment Basin (SB) SC-7**

**SEDIMENT BASIN MAINTENANCE NOTES**

1. INSPECT BMPs EACH WORKDAY, AND MAINTAIN THEM IN EFFECTIVE OPERATING CONDITION. MAINTENANCE OF BMPs SHOULD BE PROACTIVE, NOT REACTIVE. INSPECT BMPs AS SOON AS POSSIBLE (AND ALWAYS WITHIN 24 HOURS FOLLOWING A STORM THAT CAUSES SURFACE EROSION, AND PERFORM NECESSARY MAINTENANCE).
2. FREQUENT OBSERVATIONS AND MAINTENANCE ARE NECESSARY TO MAINTAIN BMPs IN EFFECTIVE OPERATING CONDITION. INSPECTIONS AND CORRECTIVE MEASURES SHOULD BE DOCUMENTED THOROUGHLY.
3. WHERE BMPs HAVE FAILED, REPAIR OR REPLACEMENT SHOULD BE INITIATED UPON DISCOVERY OF THE FAILURE.
4. SEDIMENT ACCUMULATED IN BASIN SHALL BE REMOVED AS NEEDED TO MAINTAIN BMP EFFECTIVENESS. TYPICALLY WHEN SEDIMENT DEPTH REACHES ONE FOOT (0.30 METERS) BELOW THE SPILLWAY CHEST.
5. SEDIMENT BASINS ARE TO REMAIN IN PLACE UNTIL THE UPSTREAM DISTURBED AREA IS STABILIZED AND GRASS COVER IS ACCEPTED BY THE LOCAL JURISDICTION.
6. WHEN SEDIMENT BASINS ARE REMOVED, ALL DISTURBED AREAS SHALL BE COVERED WITH TOPSOIL, SEEDS AND MULCHES OR OTHERWISE STABILIZED AS APPROVED BY LOCAL JURISDICTION.

August 2013      Urban Drainage and Flood Control District Urban Storm Drainage Criteria Manual Volume 3      SB-7

PREPARED BY:



DREXEL, BARRELL & CO.
Engineers • Surveyors
101 SAWATCH ST. #100
COLORADO SPRINGS, COLORADO 80903
CONTACT: TIM D. MCCONNELL, P.E.
(719)260-0887
COLORADO SPRINGS • LAFAYETTE

CLIENT:

FALCON LATIGO, LLC
5350 S. ROSLYN ST. STE #400
ENGLEWOOD, CO 80111-2125
(303) 694-0862

GRADING & EROSION CONTROL PLANS FOR:

LATIGO TRAILS
FILING NO. 10
EL PASO COUNTY
FALCON, COLORADO

Table with 2 columns: ISSUE, DATE. Rows include INITIAL ISSUE (9/26/24) and RESUBMITTAL (11/18/24).

Table with 2 columns: DESIGNED BY (KGV), DRAWN BY (KGV), CHECKED BY (TDM), FILE NAME (21820-01DT3).

PREPARED UNDER MY DIRECT SUPERVISION FOR AND BEHALF OF DREXEL, BARRELL & CO.

DRAWING SCALE:
HORIZONTAL: N/A
VERTICAL: N/A

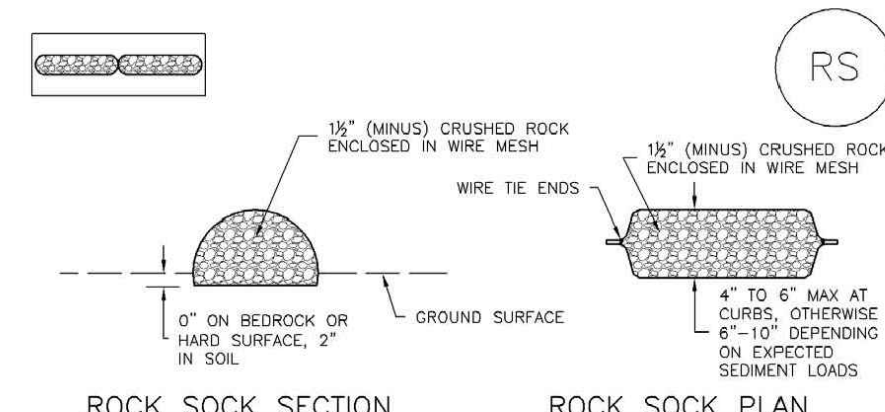
GRADING & EROSION CONTROL DETAILS

PROJECT NO. 21820-01CSCV
DRAWING NO.

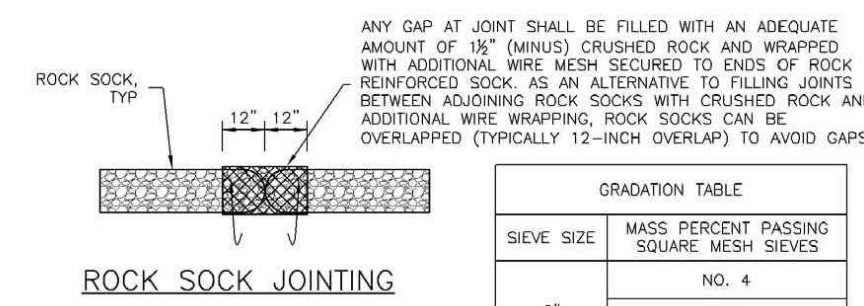
DT2

SHEET: 8 OF 15

SC-5 Rock Sock (RS)



ROCK SOCK SECTION ROCK SOCK PLAN



ROCK SOCK JOINTING

ROCK SOCK INSTALLATION NOTES

- 1. SEE PLAN VIEW FOR LOCATION(S) OF ROCK SOCKS.
2. CRUSHED ROCK SHALL BE 1/2 (MINUS) IN SIZE WITH A FRACTURED FACE (ALL SIDES) AND SHALL COMPLY WITH GRADATION SHOWN ON THIS SHEET (1/2 MINUS).
3. WIRE MESH SHALL BE FABRICATED OF 10 GAUGE POLYURETHANE OR EQUIVALENT, WITH A MAXIMUM OPENING OF 3/8, RECOMMENDED MINIMUM ROLL WIDTH OF 48".
4. WIRE MESH SHALL BE SECURED USING "HOC RINGS" OR WIRE TIES AT 6" CENTERS ALONG ALL JOINTS AND AT 2" CENTERS ON ENDS OF SOCKS.
5. SOME MUNICIPALITIES MAY ALLOW THE USE OF FILTER FABRIC AS AN ALTERNATIVE TO WIRE MESH FOR THE ROCK ENCLOSURE.

RS-1. ROCK SOCK PERIMETER CONTROL

RS-2 Urban Drainage and Flood Control District
Urban Storm Drainage Criteria Manual Volume 3 November 2010

Rock Sock (RS) SC-5

ROCK SOCK MAINTENANCE NOTES

- 1. INSPECT BMPs EACH WORKDAY, AND MAINTAIN THEM IN EFFECTIVE OPERATING CONDITION. MAINTENANCE OF BMPs SHOULD BE PROACTIVE, NOT REACTIVE. INSPECT BMPs AS SOON AS POSSIBLE (AND ALWAYS WITHIN 24 HOURS) FOLLOWING A STORM THAT CAUSES SURFACE EROSION, AND PERFORM NECESSARY MAINTENANCE.
2. FREQUENT OBSERVATIONS AND MAINTENANCE ARE NECESSARY TO MAINTAIN BMPs IN EFFECTIVE OPERATING CONDITION. INSPECTIONS AND CORRECTIVE MEASURES SHOULD BE DOCUMENTED THOROUGHLY.
3. WHERE BMPs HAVE FAILED, REPAIR OR REPLACEMENT SHOULD BE INITIATED UPON DISCOVERY OF THE FAILURE.
4. ROCK SOCKS SHALL BE REPLACED IF THEY BECOME HEAVILY SOILED, OR DAMAGED BEYOND REPAIR.
5. SEDIMENT ACCUMULATED UPSTREAM OF ROCK SOCKS SHALL BE REMOVED AS NEEDED TO MAINTAIN FUNCTIONALITY OF THE BMP. TYPICALLY WHEN DEPTH OF ACCUMULATED SEDIMENTS IS APPROXIMATELY 1/3 OF THE HEIGHT OF THE ROCK SOCK.
6. ROCK SOCKS ARE TO REMAIN IN PLACE UNTIL THE UPSTREAM DISTURBED AREA IS STABILIZED AND APPROVED BY THE LOCAL JURISDICTION.
7. WHEN ROCK SOCKS ARE REMOVED, ALL DISTURBED AREAS SHALL BE COVERED WITH TOPSOIL, SEEDED AND MULCHED OR OTHERWISE STABILIZED AS APPROVED BY LOCAL JURISDICTION.

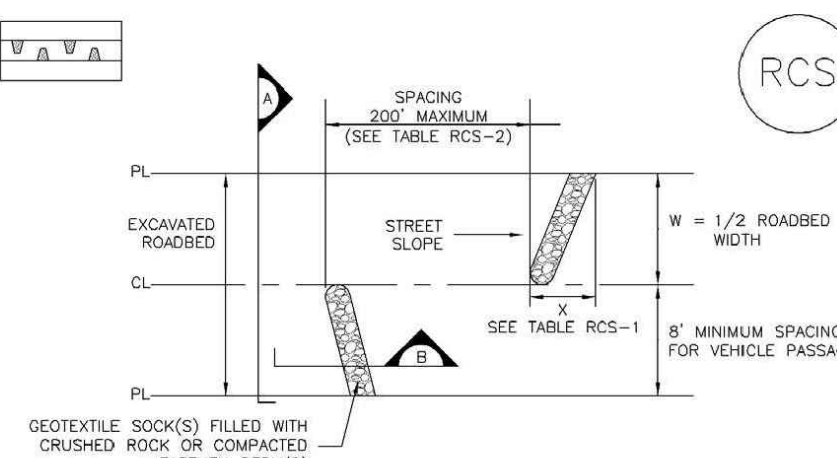
(DETAILS ADAPTED FROM TOWN OF PARKER, COLORADO AND CITY OF AURORA, COLORADO, NOT AVAILABLE IN AUTOCAD)

NOTE: MANY JURISDICTIONS HAVE BMP DETAILS THAT VARY FROM UDFCD STANDARD DETAILS. CONSULT WITH LOCAL JURISDICTIONS AS TO WHICH DETAIL SHOULD BE USED WHEN DIFFERENCES ARE NOTED.

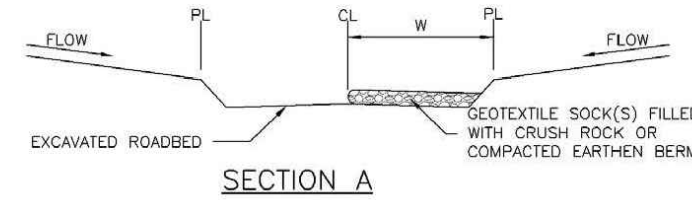
NOTE: THE DETAILS INCLUDED WITH THIS FACT SHEET SHOW COMMONLY USED, CONVENTIONAL METHODS OF ROCK SOCK INSTALLATION IN THE DENVER METROPOLITAN AREA. THERE ARE MANY OTHER SIMILAR PROPRIETARY PRODUCTS ON THE MARKET. UDFCD NEITHER RECOMMENDS NOR DISCOURAGES USE OF PROPRIETARY PROTECTION PRODUCTS; HOWEVER, IN THE EVENT PROPRIETARY METHODS ARE USED, THE APPROPRIATE DETAIL FROM THE MANUFACTURER MUST BE INCLUDED IN THE SWMP AND THE BMP MUST BE INSTALLED AND MAINTAINED AS SHOWN IN THE MANUFACTURER'S DETAILS.

November 2010 Urban Drainage and Flood Control District
Urban Storm Drainage Criteria Manual Volume 3 RS-3

EC-9 Rough Cut Street Control (RCS)



ROUGH CUT STREET CONTROL PLAN



SECTION A



SECTION B

Table RCS-1 with columns W (FT), X (FT) and rows 20-30, 31-40, 41-50, 51-60, 61-70.

Table RCS-2 with columns LONGITUDINAL STREET SLOPE (%) and SPACING (FT) and rows <2, 2, 3, 4, 5, 6, 7, 8.

RCS-1. ROUGH CUT STREET CONTROL

RCS-2 Urban Drainage and Flood Control District
Urban Storm Drainage Criteria Manual Volume 3 November 2010

Rough Cut Street Control (RCS) EC-9

ROUGH CUT STREET CONTROL INSTALLATION NOTES

- 1. SEE PLAN VIEW FOR LOCATION OF ROUGH CUT STREET CONTROL MEASURES.
2. ROUGH CUT STREET CONTROL SHALL BE INSTALLED AFTER A ROAD HAS BEEN CUT IN AND WILL NOT BE PAVED FOR MORE THAN 14 DAYS OR FOR TEMPORARY CONSTRUCTION ROADS THAT HAVE NOT RECEIVED ROAD BASE.

ROUGH CUT STREET CONTROL INSPECTION AND MAINTENANCE NOTES

- 1. INSPECT BMPs EACH WORKDAY, AND MAINTAIN THEM IN EFFECTIVE OPERATING CONDITION. MAINTENANCE OF BMPs SHOULD BE PROACTIVE, NOT REACTIVE. INSPECT BMPs AS SOON AS POSSIBLE (AND ALWAYS WITHIN 24 HOURS) FOLLOWING A STORM THAT CAUSES SURFACE EROSION, AND PERFORM NECESSARY MAINTENANCE.
2. FREQUENT OBSERVATIONS AND MAINTENANCE ARE NECESSARY TO MAINTAIN BMPs IN EFFECTIVE OPERATING CONDITION. INSPECTIONS AND CORRECTIVE MEASURES SHOULD BE DOCUMENTED THOROUGHLY.
3. WHERE BMPs HAVE FAILED, REPAIR OR REPLACEMENT SHOULD BE INITIATED UPON DISCOVERY OF THE FAILURE.

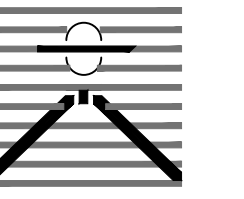
(DETAILS ADAPTED FROM AURORA, COLORADO, NOT AVAILABLE IN AUTOCAD)

NOTE: MANY JURISDICTIONS HAVE BMP DETAILS THAT VARY FROM UDFCD STANDARD DETAILS. CONSULT WITH LOCAL JURISDICTIONS AS TO WHICH DETAIL SHOULD BE USED WHEN DIFFERENCES ARE NOTED.

November 2010 Urban Drainage and Flood Control District
Urban Storm Drainage Criteria Manual Volume 3 RCS-3



PREPARED BY:



DREXEL, BARRELL & CO. Engineers-Surveyors 101 SAHAWATCH ST. #100 COLORADO SPGS, COLORADO 80903 CONTACT: TIM D. MCCONNELL, P.E. (719)260-0887 COLORADO SPRINGS • LAFAYETTE

CLIENT:

FALCON LATIGO, LLC 5350 S. ROSLYN ST. STE #400 ENGLEWOOD, CO 80111-2125 (303) 694-0862

GRADING & EROSION CONTROL PLANS FOR: LATIGO TRAILS FILING NO. 10 EL PASO COUNTY FALCON, COLORADO

ISSUE DATE

INITIAL ISSUE 9/26/24 RESUBMITTAL 11/18/24

DESIGNED BY: KGV

DRAWN BY: KGV

CHECKED BY: TDM

FILE NAME: 21820-01DT3

PREPARED UNDER MY DIRECT SUPERVISION FOR AND BEHALF OF DREXEL, BARRELL & CO.

DRAWING SCALE: HORIZONTAL: N/A VERTICAL: N/A

GRADING & EROSION CONTROL DETAILS

PROJECT NO. 21820-01CSCV

DRAWING NO.

DT3

SHEET: 9 OF 15

TEMPORARY SEEDING NOTES

- 1. SOIL IS TO BE CONDITIONED FOR PLANT GROWTH BY APPLYING TOPSOIL, FERTILIZER OR LIME.
2. SOIL IS TO BE TILLED IMMEDIATELY PRIOR TO APPLYING SEEDS. COMPACT SOILS ESPECIALLY NEED TO BE LOOSENED.
3. SEEDBED DEPTH IS TO BE 4 INCHES FOR SLOPES FLATTER THAN 2:1 AND 1 INCH FOR SLOPES STEEPER THAN 2:1.
4. ANNUAL GRASSES LISTED IN THE TABLE BELOW ARE TO BE USED FOR TEMPORARY SEEDING. SEED MIXES ARE NOT TO CONTAIN ANY NOXIOUS WEED SEEDS INCLUDING RUSSIAN OR CANADIAN THISTLE, KNAWEED, PURPLE LOOSESTRIPE, EUROPEAN BINDWEED, JOHNSON GRASS, AND LEAFY SPURGE.
5. THE TABLE BELOW ALSO PROVIDES REQUIREMENTS FOR SEEDING RATES, SEEDING DATES, AND PLANTING DEPTHS FOR THE APPROVED TYPES OF ANNUAL GRASSES.
6. SEEDING IS TO BE APPLIED USING MECHANICAL TYPE DRILLS EXCEPT WHERE SLOPES ARE STEEP OR ACCESS IS LIMITED THEN HYDRAULIC SEEDING MAY BE USED.
7. ALL SEEDED AREAS ARE TO BE MULCHED.
8. IF HYDRAULIC SEEDING IS USED THEN HYDRAULIC MULCHING SHALL BE DONE SEPARATELY TO AVOID SEEDS BECOMING ENCAPSULATED IN THE MULCH.

MULCHING NOTES

INSTALLATION REQUIREMENTS

- 1. MATERIAL USED FOR MULCH CAN BE CERTIFIED CLEAN, WEED-AND SEED-FREE LONG STEMMED FIELD OR MARSH HAY, OR STRAW OF OATS, BARLEY, WHEAT, RYE, OR TRITICALE CERTIFIED BY THE COLORADO DEPARTMENT OF AGRICULTURE WEED FREE FORAGE CERTIFICATION PROGRAM.
2. HYDRAULIC MULCHING MATERIAL SHALL CONSIST OF VIRGIN WOOD FIBER MANUFACTURED FROM CLEAN WHOLE WOOD CHIPS. WOOD CHIPS CANNOT CONTAIN ANY GROWTH OR GERMINATION INHIBITORS OR BE PRODUCED FROM RECYCLED MATERIAL.
3. MULCH IS TO BE APPLIED EVENLY AT A RATE OF 2 TONS PER ACRE.
4. MULCH IS TO BE ANCHORED EITHER BY CRIMPING (TUCKING MULCH FIBERS 4 INCHES INTO THE SOIL), USING NETTING (USED ON SMALL AREAS WITH STEEP SLOPES) OR WITH A TACKIFIER.
5. HYDRAULIC MULCHING AND TACKIFIERS ARE NOT TO BE USED IN THE PRESENCE OF FREE SURFACE WATER.

MAINTENANCE REQUIREMENTS

- 6. REGULAR INSPECTIONS ARE TO BE MADE OF ALL MULCHED AREAS.
7. MULCH IS TO BE REPLACED IMMEDIATELY IN THOSE AREAS IT HAS BEEN REMOVED, AND IF NECESSARY THE AREA SHOULD BE RESEEDED.

SEEDING PLAN

NATIVE SEEDING MIX

SOIL PREPARATION, FERTILIZER, SEEDING, MULCHING AND MULCH TACKIFIER WILL BE REQUIRED FOR DISTURBED AREAS EXCLUDING THE RIGHT-OF-WAYS.

THE FOLLOWING TYPES AND RATES SHALL BE USED:

Table with 3 columns: COMMON NAME, SCIENTIFIC NAME, LBS PLS/ACRE. Lists various grasses like SAND BLUESTEM, WESTERN WHEATGRASS, etc.

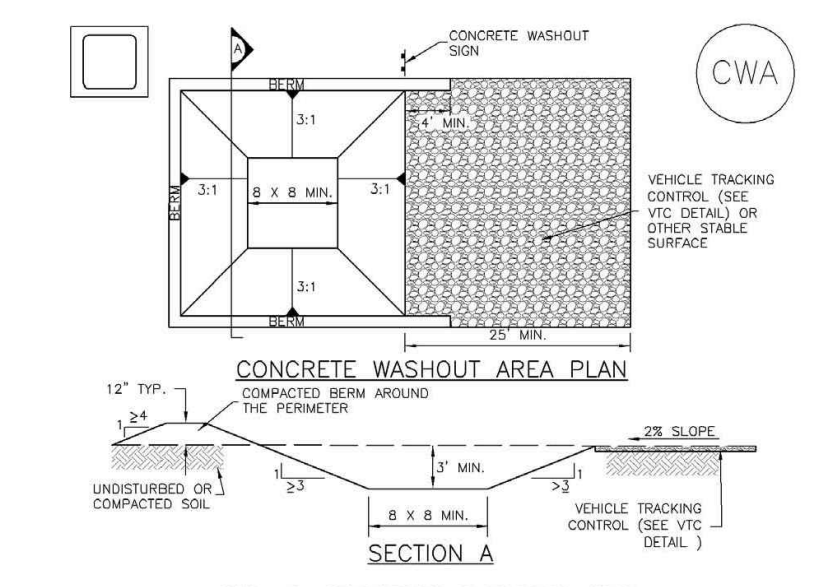
Table with 2 columns: FERTILIZER, RATE PER ACRE. Lists NITROGEN and PHOSPHORUS (P205) with rates of 27 and 69.

SEEDING APPLICATION: DRILL SEED 0.25"-0.5" INTO TOPSOIL. AREA NOT ACCESSIBLE TO A DRILL SEEDER AND SLOPES STEEPER THAN 2:1 SHALL BE HAND BROADCAST AT DOUBLE THE ABOVE SEED RATE AND RAKED AT 1/4 TO 1/2 INTO THE TOPSOIL.

MULCHING APPLICATION: 1 1/2 TONS CERTIFIED WEED FREE NATIVE HAY PER ACRE MECHANICALLY CRIMED IN TOPSOIL IN COMBINATION WITH AN ORGANIC MULCH TACKIFIER.

Concrete Washout Area (CWA) MM-1

Concrete Washout Area (CWA) MM-1

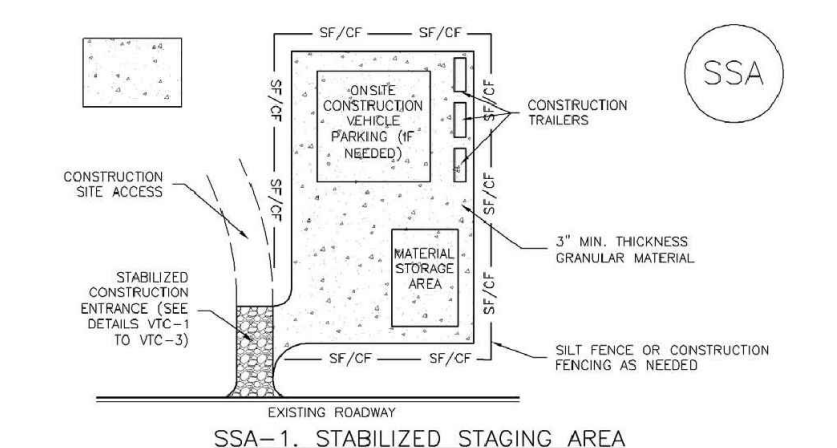


- CWA INSTALLATION NOTES
1. SEE PLAN NEW FOR CWA INSTALLATION LOCATION.
2. DO NOT LOCATE AN UNLINED CWA WITHIN 400' OF ANY NATURAL DRAINAGE PATHWAY OR WATERBODIES...
3. THE CWA SHALL BE INSTALLED PRIOR TO CONCRETE PLACEMENT ON SITE.
4. CWA SHALL INCLUDE A FLAT SUBSURFACE...
5. BERM SURROUNDING SEEDS AND BACK OF THE CWA SHALL HAVE MINIMUM HEIGHT OF 1'.
6. VEHICLE TRACKING FIBRE SHALL BE SLOPED 2% TOWARDS THE CWA.
7. SIGNS SHALL BE PLACED AT THE CONSTRUCTION ENTRANCE...
8. USE EXCAVATED MATERIAL FOR PERMETER BERM CONSTRUCTION.

- CWA MAINTENANCE NOTES
1. INSPECT BUMPS EACH WORKDAY AND MAINTAIN THEM IN EFFECTIVE OPERATING CONDITION...
2. FREQUENT OBSERVATIONS AND MAINTENANCE ARE NECESSARY TO MAINTAIN BUMPS IN EFFECTIVE OPERATING CONDITION...
3. WHERE BUMPS HAVE FAILED, REPAIR OR REPLACEMENT SHOULD BE INITIATED UPON DISCOVERY OF THE FAILURE.
4. THE CWA SHALL BE REPAIRED, CLEANED, OR ENLARGED AS NECESSARY TO MAINTAIN CAPACITY FOR CONCRETE WASTE...
5. CONCRETE WASHOUT WATER, WASTES RESIDUE OF CONCRETE AND ALL OTHER DEBRIS IN THE SUBSURFACE FIT SHALL BE TRANSPORTED FROM THE JOB SITE...
6. THE CWA SHALL REMAIN IN PLACE UNTIL ALL CONCRETE FOR THE PROJECT IS PLACED.
7. WHEN THE CWA IS REMOVED, COVER THE DISTURBED AREA WITH TOP SOIL, SEED AND MULCH OR OTHERWISE STABILIZED IN A MANNER APPROVED BY THE LOCAL JURISDICTION.
8. THE CWA SHALL BE REPAIRED OR REGRASSED AS NECESSARY TO THE STABILIZED CONSTRUCTION ENTRANCE/EXIT TO MAINTAIN A CONSISTENT BERM.

Stabilized Staging Area (SSA) SM-6

Stabilized Staging Area (SSA) SM-6



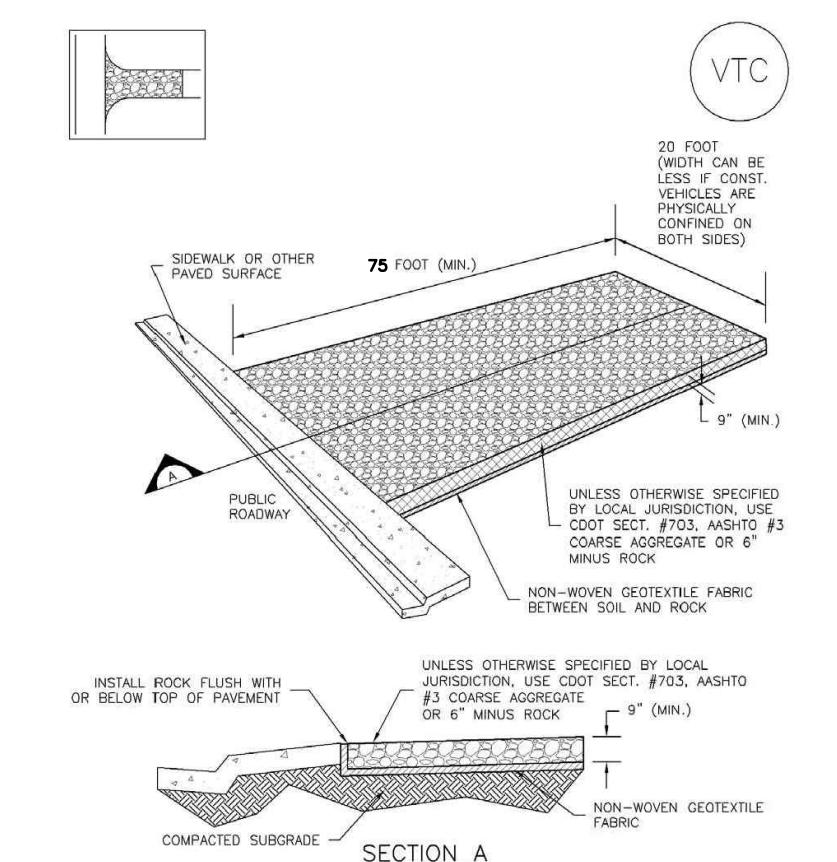
- SSA-1. STABILIZED STAGING AREA
1. SEE PLAN NEW FOR CWA INSTALLATION LOCATION.
2. DO NOT LOCATE AN UNLINED CWA WITHIN 400' OF ANY NATURAL DRAINAGE PATHWAY OR WATERBODIES...
3. THE CWA SHALL BE INSTALLED PRIOR TO CONCRETE PLACEMENT ON SITE.
4. CWA SHALL INCLUDE A FLAT SUBSURFACE...
5. BERM SURROUNDING SEEDS AND BACK OF THE CWA SHALL HAVE MINIMUM HEIGHT OF 1'.
6. VEHICLE TRACKING FIBRE SHALL BE SLOPED 2% TOWARDS THE CWA.
7. SIGNS SHALL BE PLACED AT THE CONSTRUCTION ENTRANCE...
8. USE EXCAVATED MATERIAL FOR PERMETER BERM CONSTRUCTION.

Urban Drainage and Flood Control District Urban Storm Drainage Criteria Manual Volume 3

Urban Drainage and Flood Control District Urban Storm Drainage Criteria Manual Volume 3

Vehicle Tracking Control (VTC) SM-4

Vehicle Tracking Control (VTC) SM-4



- VTC-1. AGGREGATE VEHICLE TRACKING CONTROL
1. SILT FENCE MUST BE PLACED AWAY FROM THE TOE OF THE SLOPE TO ALLOW FOR WATER PENETRATION...
2. A MINIMUM 6" x 6" ANCHOR TRENCH SHALL BE EXCAVATED...
3. COMPACT ANCHOR TRENCH BY HAND WITH A "JUMPING JACK" OR BY WHEEL ROLLING...
4. SILT FENCE SHALL BE PULLED TIGHT AS IT IS ANCHORED...
5. SILT FENCE FABRIC SHALL BE ANCHORED TO THE STAKES USING 1" HEAVY DUTY STAPLES...
6. AT THE END OF A RUN OF SILT FENCE...
7. SILT FENCE SHALL BE INSTALLED PRIOR TO ANY LAND DISTURBING ACTIVITIES.

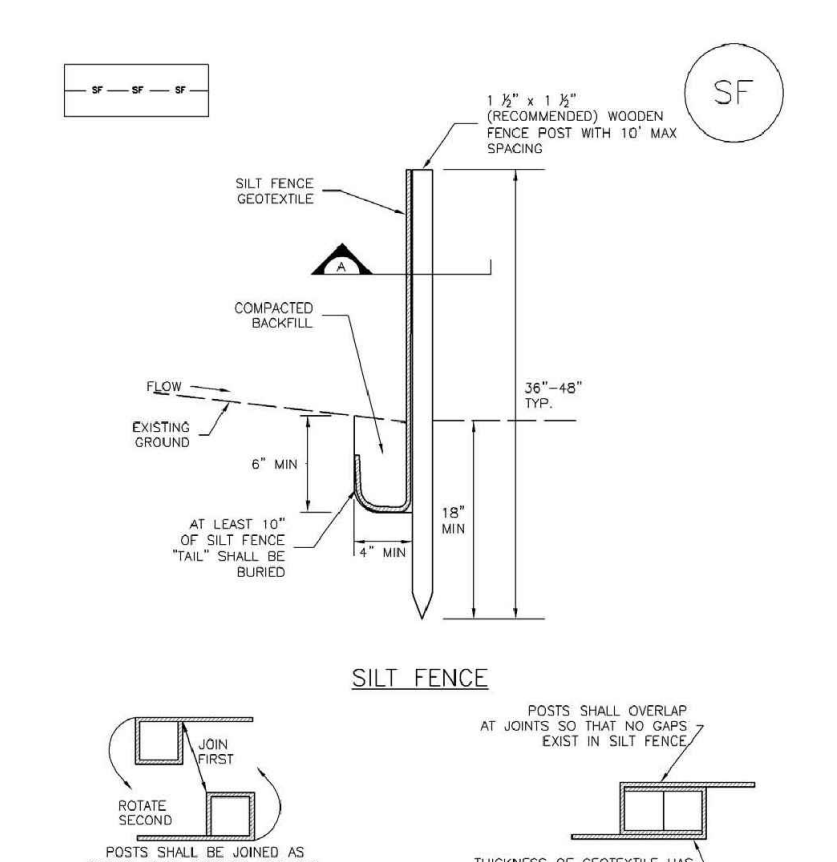
- VEHICLE TRACKING CONTROL (VTC) INSTALLATION NOTES
1. SEE PLAN NEW FOR VTC INSTALLATION LOCATION.
2. DO NOT LOCATE AN UNLINED CWA WITHIN 400' OF ANY NATURAL DRAINAGE PATHWAY OR WATERBODIES...
3. THE CWA SHALL BE INSTALLED PRIOR TO CONCRETE PLACEMENT ON SITE.
4. CWA SHALL INCLUDE A FLAT SUBSURFACE...
5. BERM SURROUNDING SEEDS AND BACK OF THE CWA SHALL HAVE MINIMUM HEIGHT OF 1'.
6. VEHICLE TRACKING FIBRE SHALL BE SLOPED 2% TOWARDS THE CWA.
7. SIGNS SHALL BE PLACED AT THE CONSTRUCTION ENTRANCE...
8. USE EXCAVATED MATERIAL FOR PERMETER BERM CONSTRUCTION.

Urban Drainage and Flood Control District Urban Storm Drainage Criteria Manual Volume 3

Urban Drainage and Flood Control District Urban Storm Drainage Criteria Manual Volume 3

Silt Fence (SF) SC-1

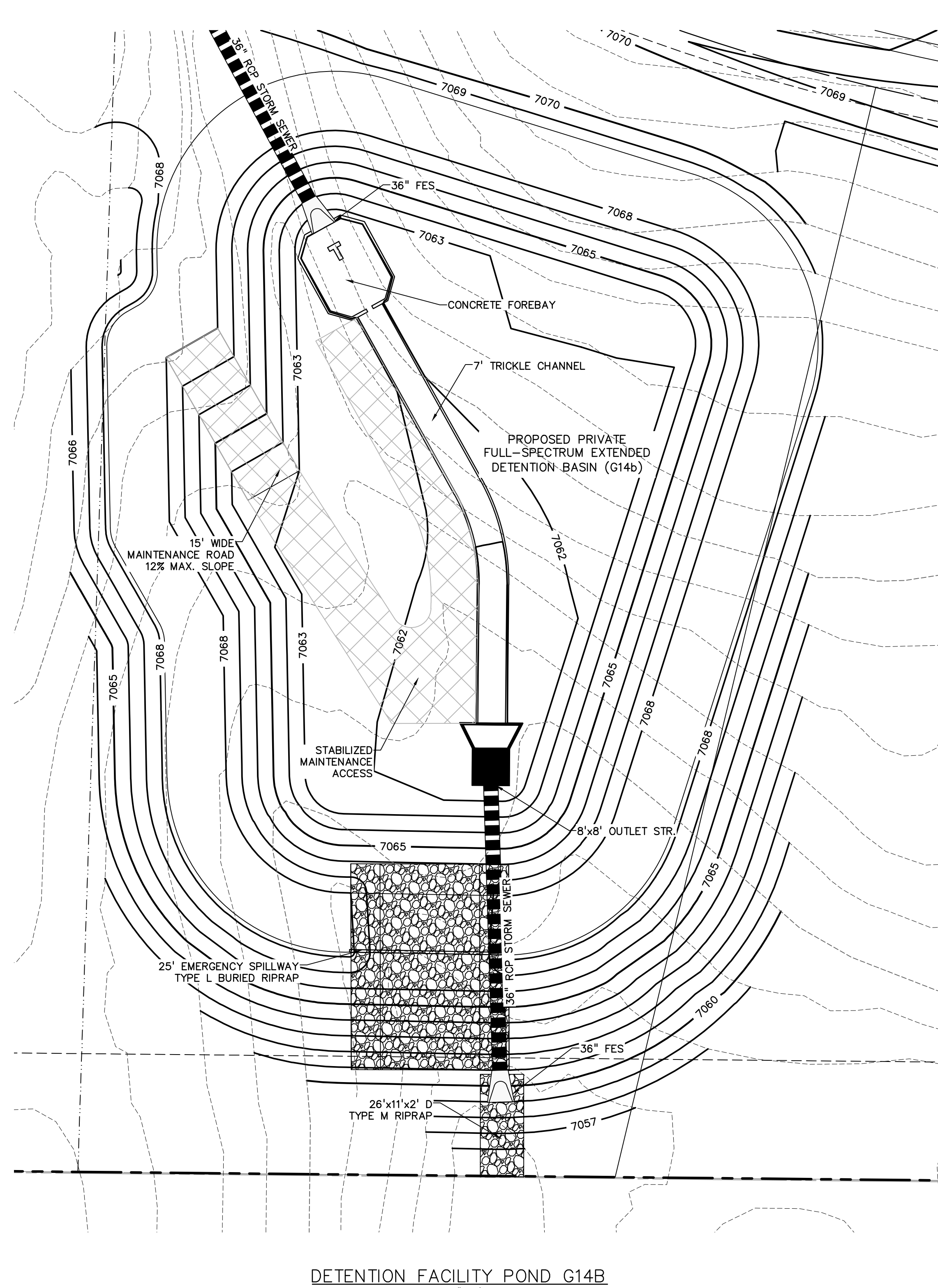
Silt Fence (SF) SC-1



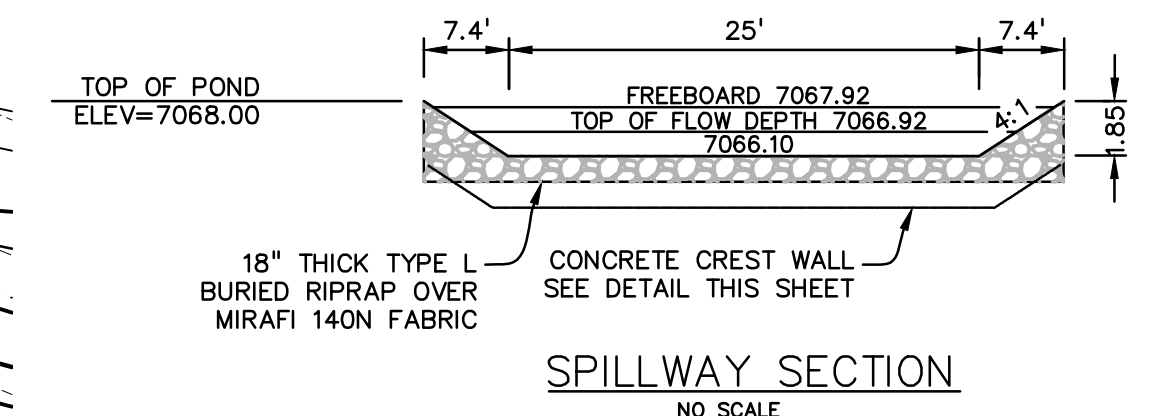
- SILT FENCE INSTALLATION NOTES
1. SILT FENCE MUST BE PLACED AWAY FROM THE TOE OF THE SLOPE TO ALLOW FOR WATER PENETRATION...
2. A MINIMUM 6" x 6" ANCHOR TRENCH SHALL BE EXCAVATED...
3. COMPACT ANCHOR TRENCH BY HAND WITH A "JUMPING JACK" OR BY WHEEL ROLLING...
4. SILT FENCE SHALL BE PULLED TIGHT AS IT IS ANCHORED...
5. SILT FENCE FABRIC SHALL BE ANCHORED TO THE STAKES USING 1" HEAVY DUTY STAPLES...
6. AT THE END OF A RUN OF SILT FENCE...
7. SILT FENCE SHALL BE INSTALLED PRIOR TO ANY LAND DISTURBING ACTIVITIES.

Urban Drainage and Flood Control District Urban Storm Drainage Criteria Manual Volume 3

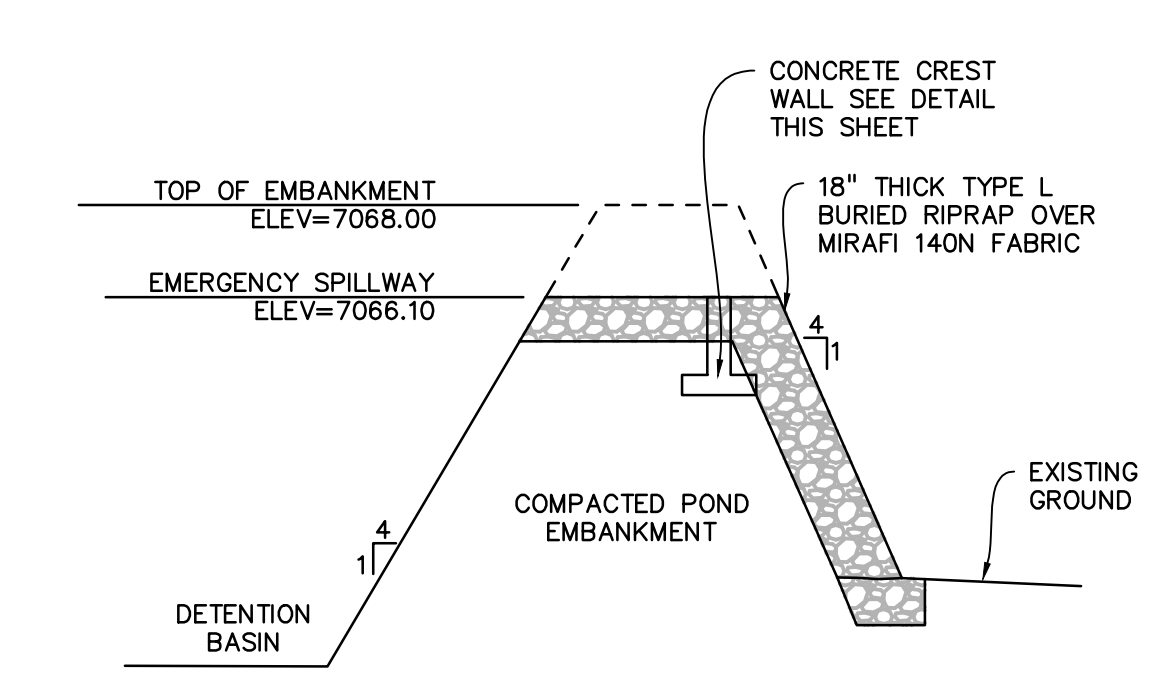
Urban Drainage and Flood Control District Urban Storm Drainage Criteria Manual Volume 3



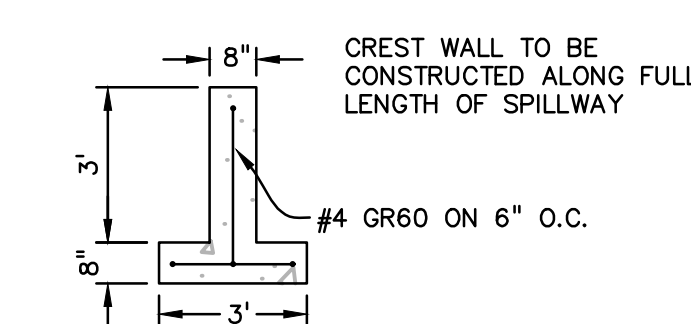
DETENTION FACILITY POND G14B  
SCALE: 1"=20'



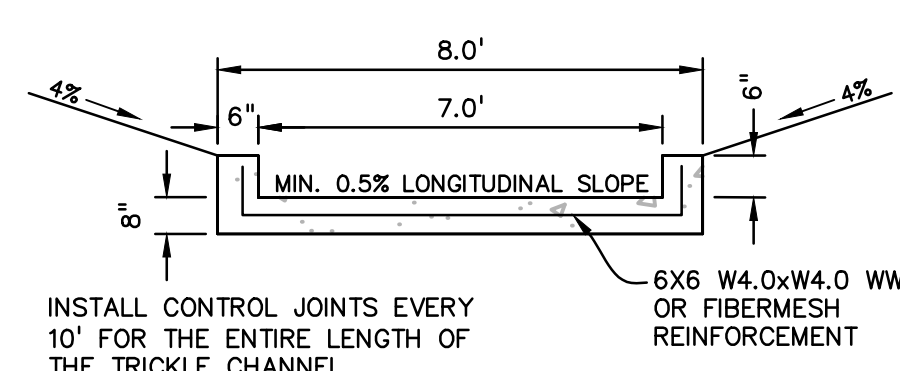
SPILLWAY SECTION  
NO SCALE



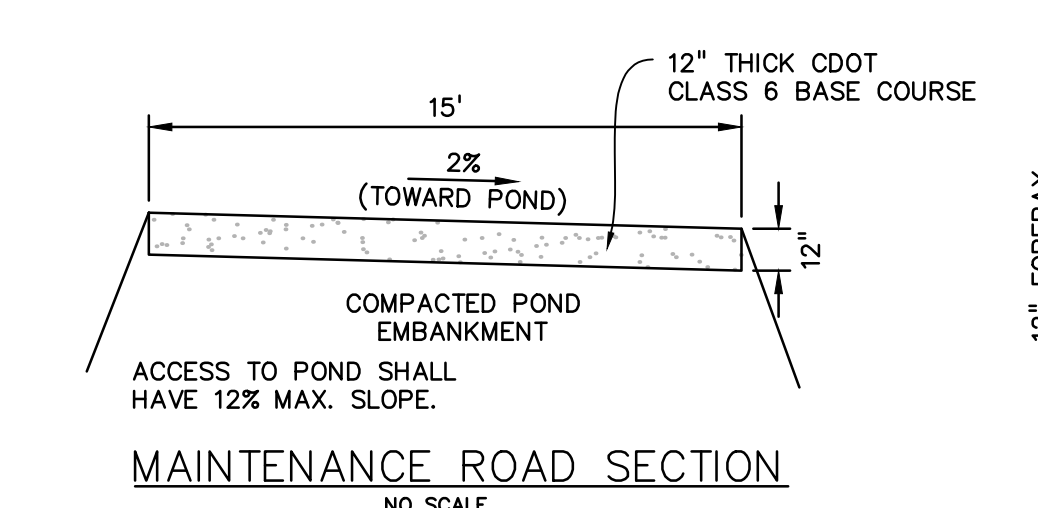
SPILLWAY SECTION  
NO SCALE



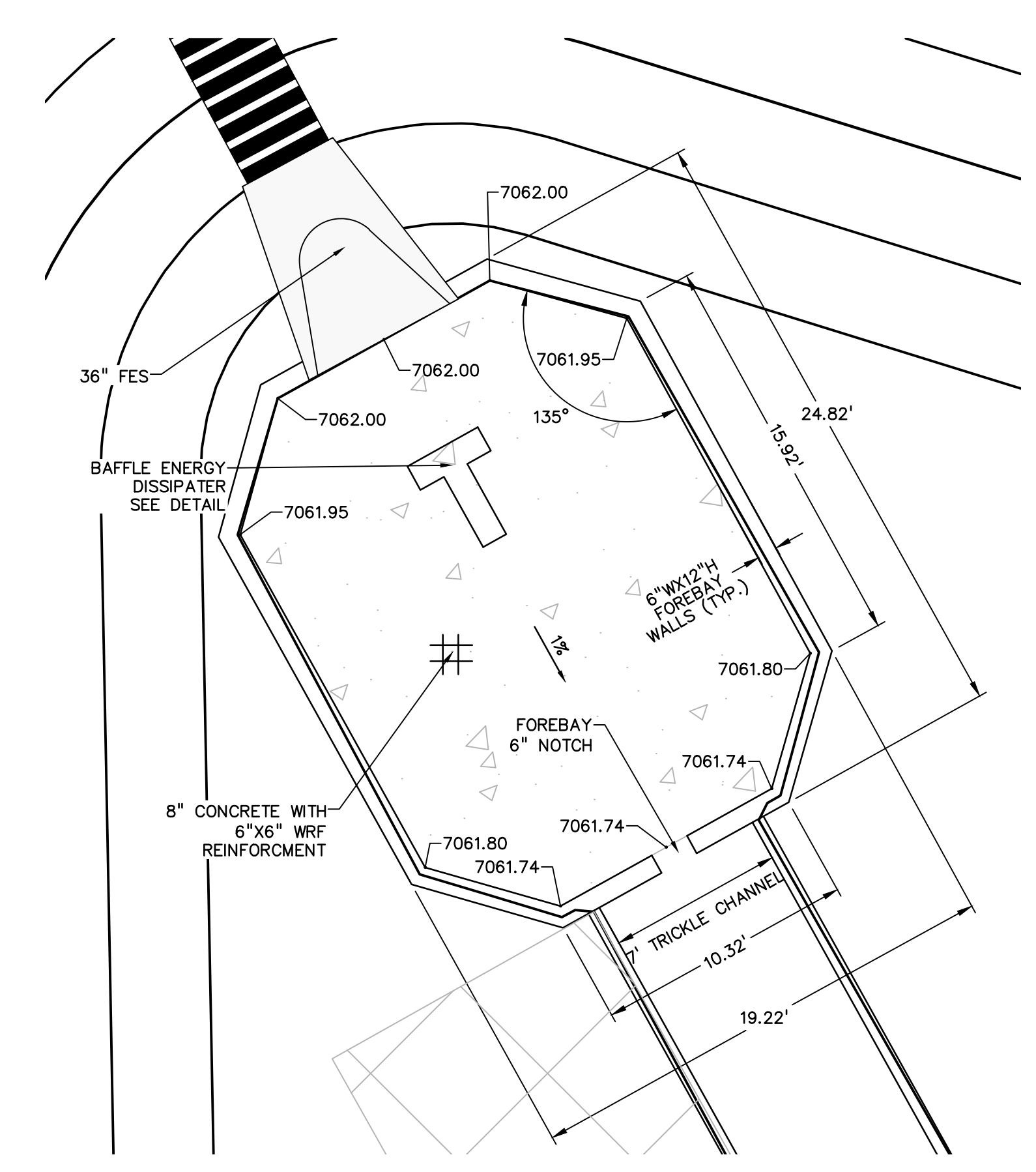
CREST WALL SECTION  
NO SCALE



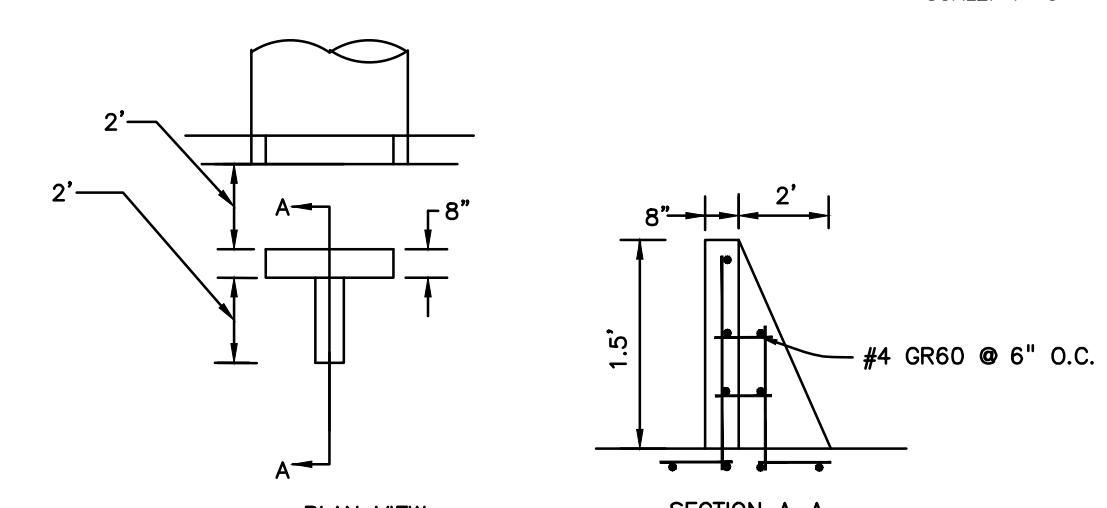
CONCRETE TRICKLE CHANNEL SECTION  
NO SCALE



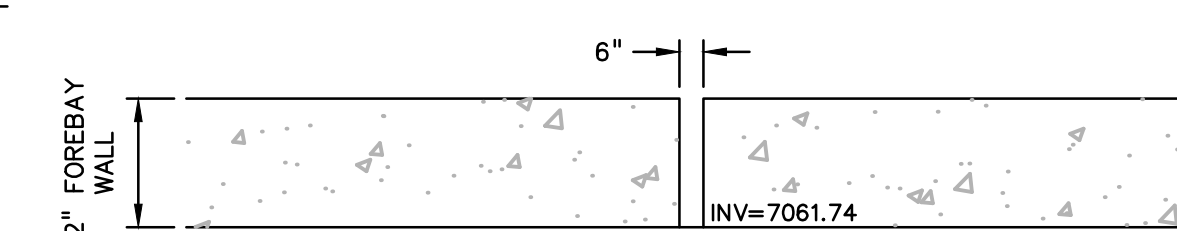
MAINTENANCE ROAD SECTION  
NO SCALE



POND G14B FOREBAY  
SCALE: 1"=5'



FOREBAY BAFFLE ENERGY DISSIPATORS  
NO SCALE



FOREBAY NOTCH  
NO SCALE



PREPARED BY:  
  
DREXEL, BARRELL & CO.  
Engineers • Surveyors  
101 SAWATCH ST. #100  
COLORADO SPGS, COLORADO 80903  
CONTACT: TIM D. MCCONNELL, P.E.  
(719)260-0887  
COLORADO SPRINGS • LAFAYETTE

CLIENT:  
FALCON LATIGO, LLC  
5350 S. ROSLYN ST. STE #400  
ENGLEWOOD, CO 80111-2125  
(303) 694-0862

GRADING & EROSION CONTROL PLANS FOR:  
**LATIGO TRAILS**  
**FILING NO. 10**  
EL PASO COUNTY  
FALCON, COLORADO

ISSUE	DATE
INITIAL ISSUE	9/26/24
RESUBMITTAL	11/18/24

DESIGNED BY: SBN  
DRAWN BY: SBN  
CHECKED BY: KGV  
FILE NAME: 21820-01PD

PREPARED UNDER MY DIRECT SUPERVISION FOR AND BEHALF OF DREXEL, BARRELL & CO.

DRAWING SCALE:  
HORIZONTAL: 1" = 20'  
VERTICAL: N/A

POND G14B  
DETAILS

PROJECT NO. 21820-01CSCV  
DRAWING NO.

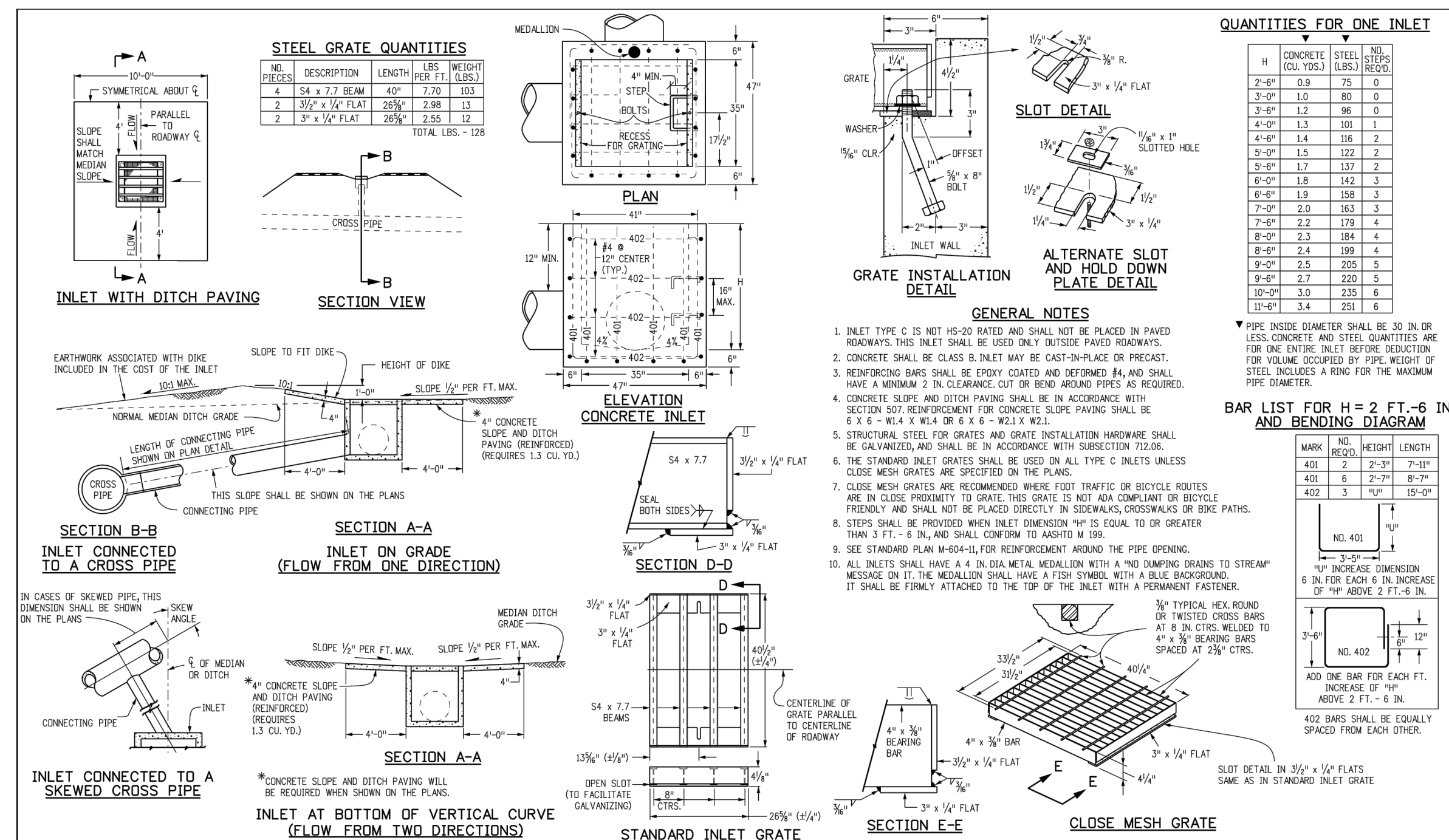
**PD1**

**811** Know what's below.  
Call before you dig.  
CALL 3-BUSINESS DAYS IN ADVANCE BEFORE YOU DIG, GRADE, OR EXCAVATE FOR THE MARKING OF UNDERGROUND MEMBER UTILITIES.

SF2421

SHEET: 10 OF 15





Computer File Information		Sheet Revisions		Colorado Department of Transportation 4001 East Arkansas Avenue Denver, Colorado 80222 Phone: (303) 757-9083 Fax: (303) 757-9820 Project Development Branch DD/LTA
Creation Date: 07/04/12	Initials: DP	Date:	Comments:	
Last Modification Date: 07/04/12	Initials: LTA	(CSD)		
File Path: \\www.cdot.state.co.us\Business\Resid\pdp\	(CSD)			

STANDARD PLAN NO.
M-604-10
Sheet No. 1 of 1

PREPARED BY:  
  
**DREXEL, BARRELL & CO.**  
 Engineers • Surveyors  
 101 SAWATCH ST. #100  
 COLORADO SPGS, COLORADO 80903  
 CONTACT: TIM D. MCCONNELL, P.E.  
 (719) 260-0887  
 COLORADO SPRINGS • LAFAYETTE

CLIENT:  
 FALCON LATIGO, LLC  
 5350 S. ROSLYN ST. STE #400  
 ENGLEWOOD, CO 80111-2125  
 (303) 694-0862

GRADING & EROSION CONTROL PLANS FOR:  
**LATIGO TRAILS**  
**FILING NO. 10**  
 EL PASO COUNTY  
 FALCON, COLORADO

ISSUE	DATE
INITIAL ISSUE	9/26/24
RESUBMITTAL	11/18/24

DESIGNED BY:	SBN
DRAWN BY:	SBN
CHECKED BY:	TDM
FILE NAME:	21820-01OUT

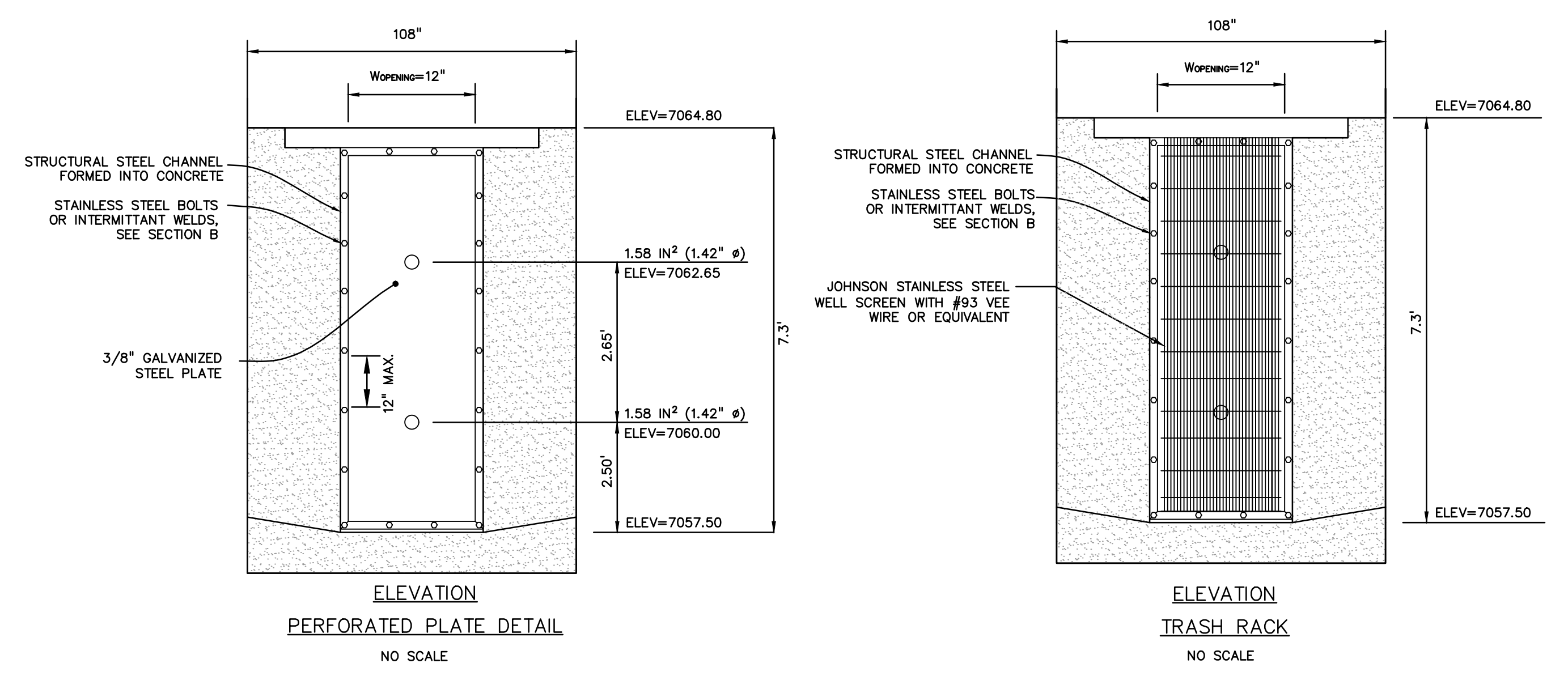
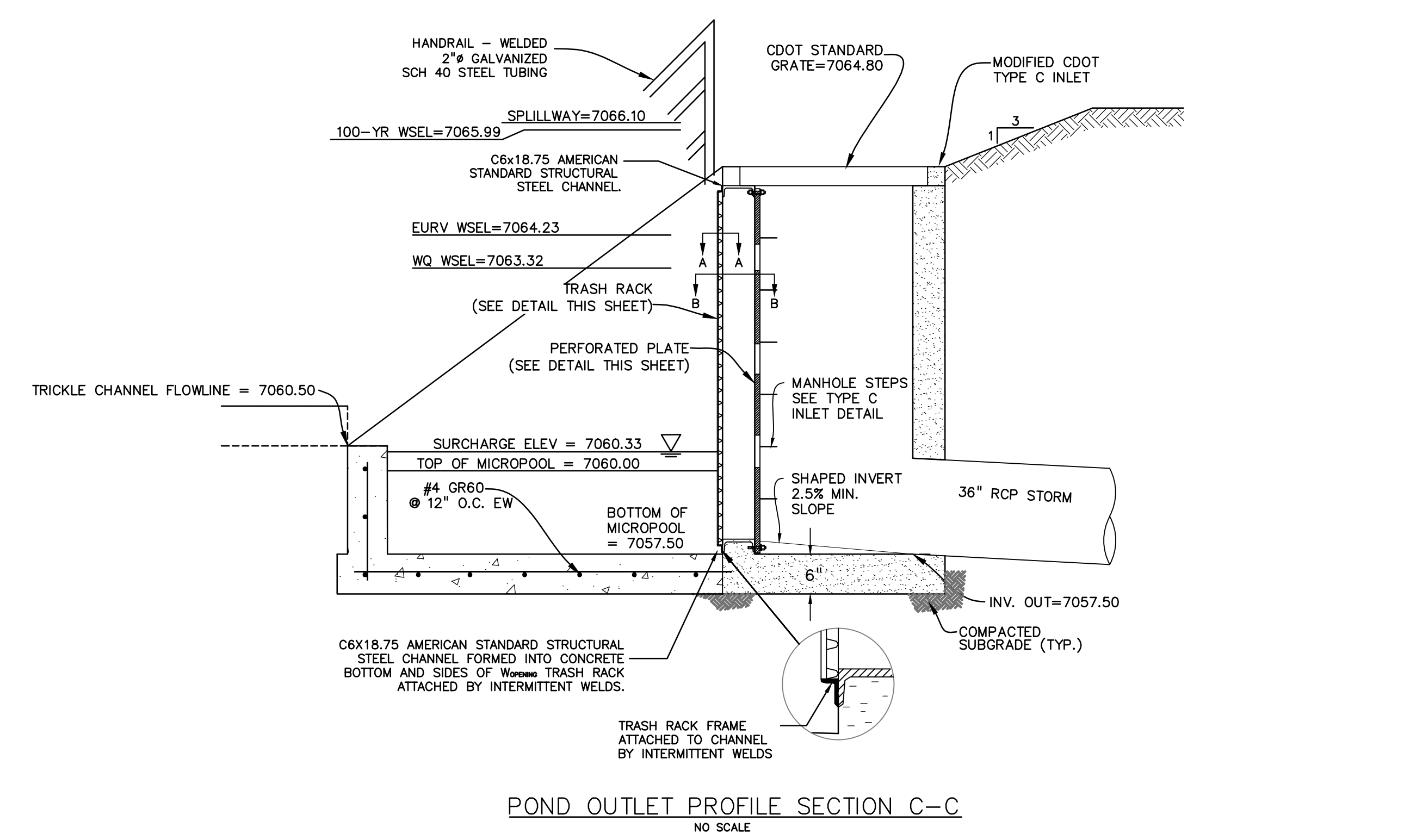
PREPARED UNDER MY DIRECT SUPERVISION FOR AND BEHALF OF DREXEL, BARRELL & CO.

DRAWING SCALE:  
 HORIZONTAL: N/A  
 VERTICAL: N/A

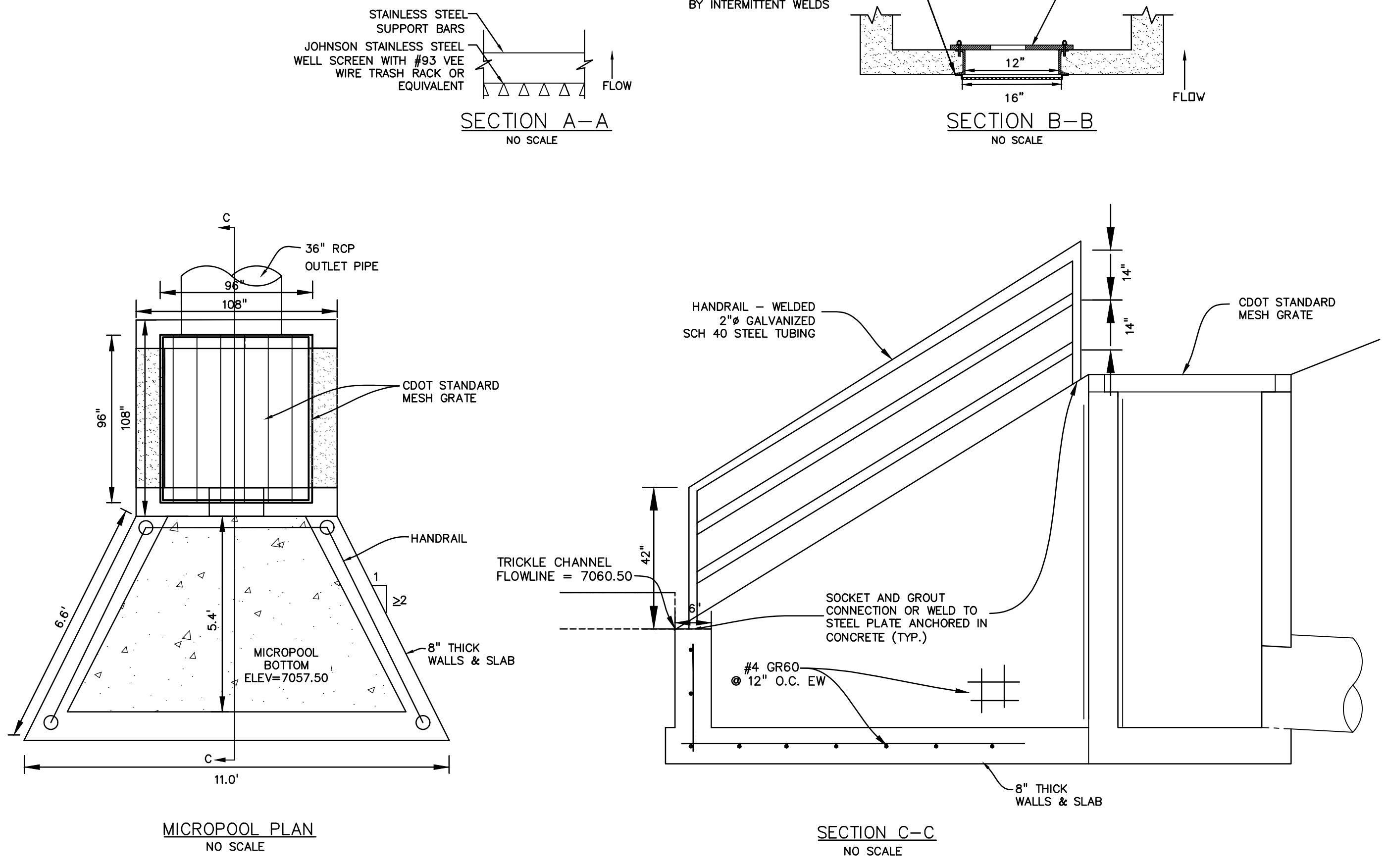
**POND G14b**  
**OUTLET**  
**STRUCTURE**

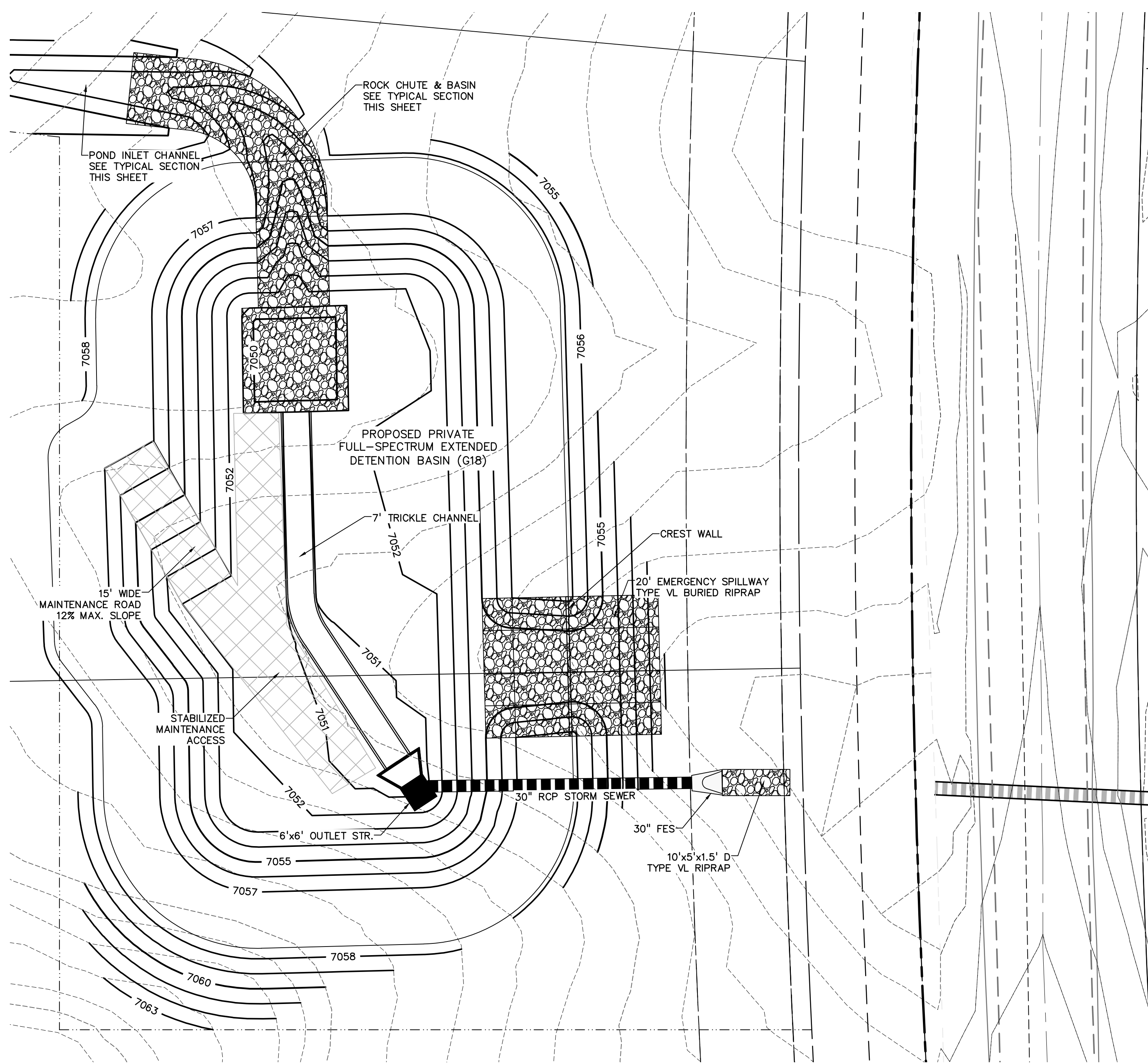
PROJECT NO. 21820-01CSCV  
 DRAWING NO.

**OUT1**

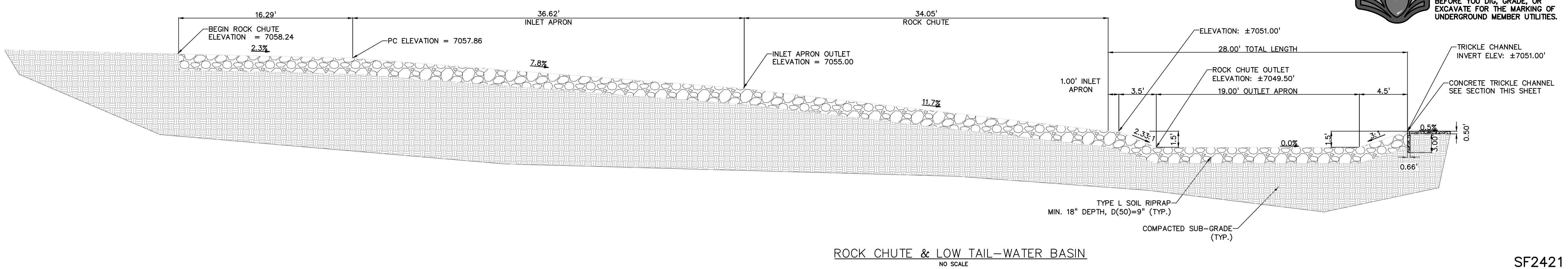
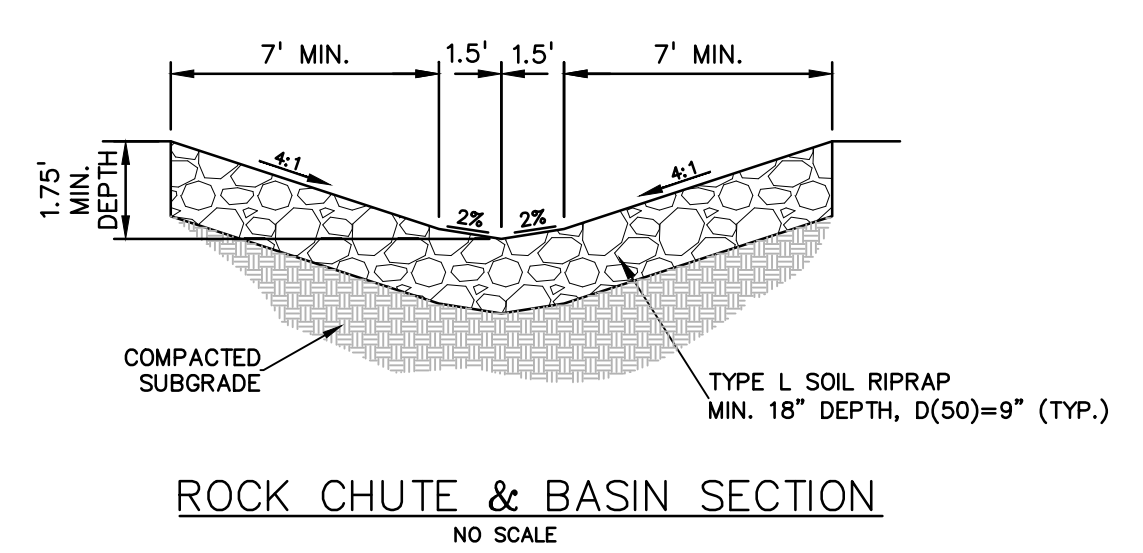
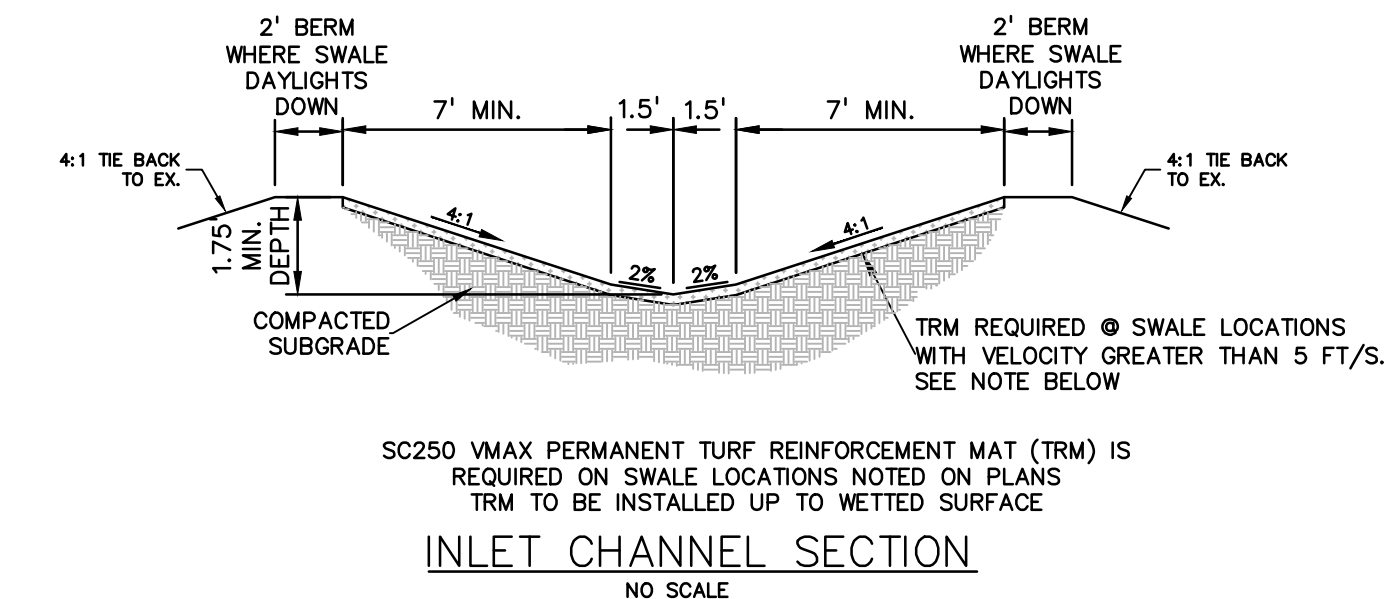
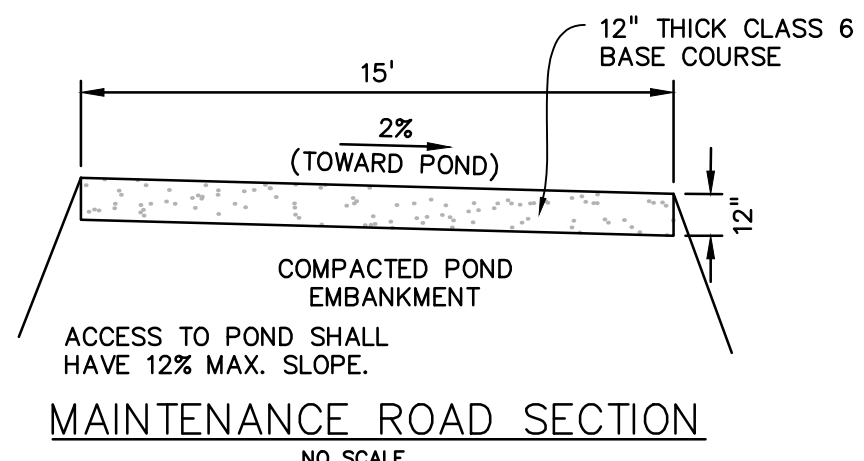
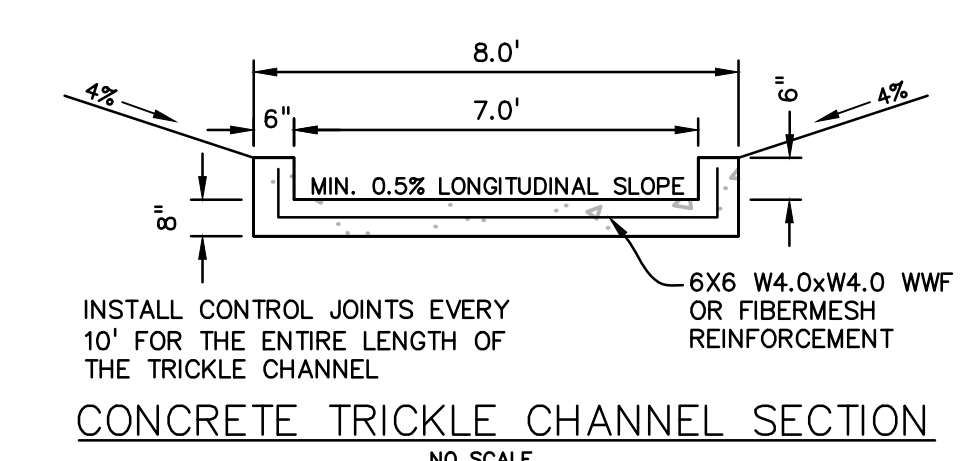
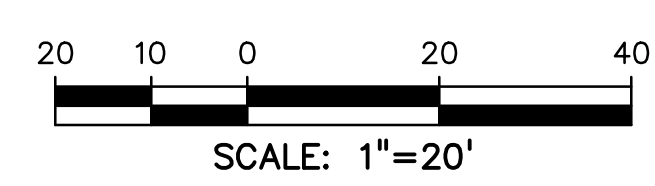
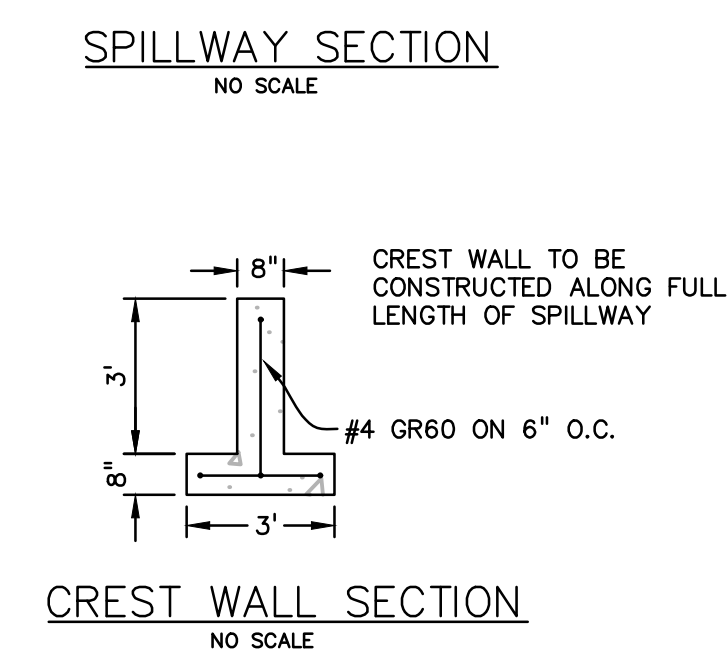
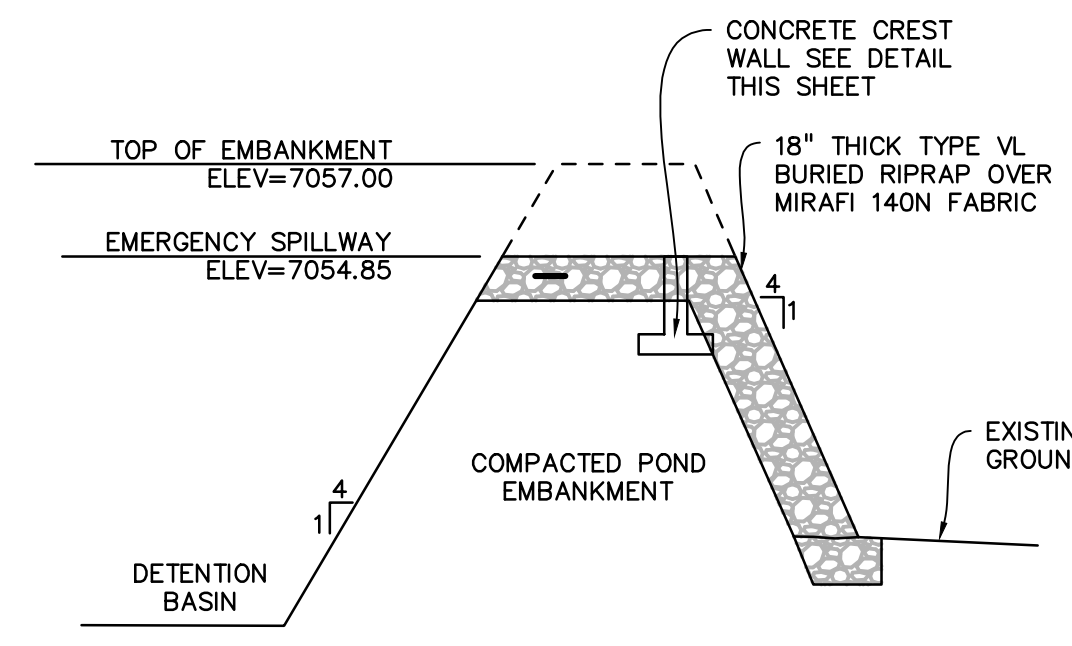
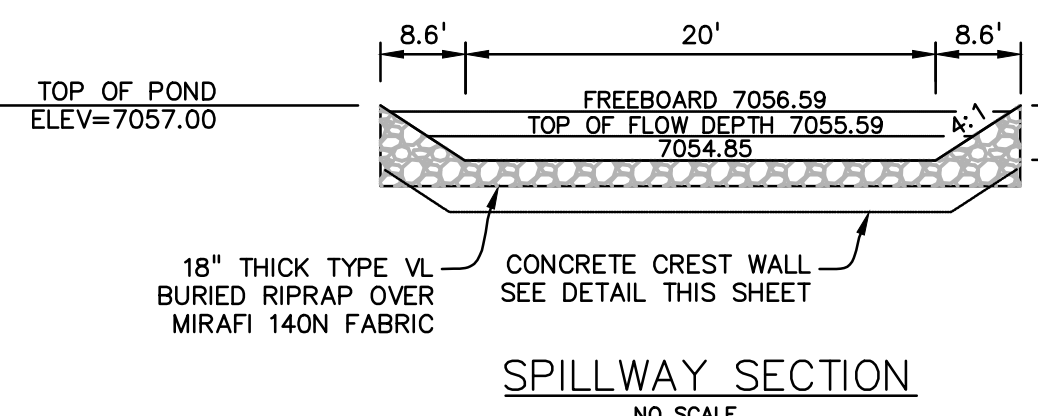


- PERFORATED PLATE NOTES:**
- PROVIDE GASKET MATERIAL OR GROUT BETWEEN THE ORIFICE PLATE AND CONCRETE.
  - BOLT PLATE TO CONCRETE @ 12" MAX. ON CENTER. ORIFICE PLATE IS TO BE REMOVABLE.
  - ALL STEEL SURFACES ARE TO BE COATED WITH ZRC COLD GALVANIZING COMPOUND.
- WOCV TRASH RACKS:**
- TRASH RACKS SHALL BE STAINLESS STEEL OR ALUMINUM AND SHALL BE ATTACHED BY INTERMITTENT WELDS ALONG THE EDGE OF THE MOUNTING FRAME.
- GENERAL NOTES:**
- ALL EXTERIOR STEEL SHALL BE EITHER STAINLESS OR HOT DIPPED GALVANIZED





DETENTION FACILITY POND G18  
SCALE: 1"=20'



PREPARED BY:  
  
DREXEL, BARRELL & CO.  
Engineers-Surveyors  
101 SAWATCH ST. #100  
COLORADO SPGS, COLORADO 80903  
CONTACT: TIM D. McCONNELL, P.E.  
(719)266-0887  
COLORADO SPRINGS • LAFAYETTE

CLIENT:  
FALCON LATIGO, LLC  
5350 S. ROSLYN ST. STE #400  
ENGLEWOOD, CO 80111-2125  
(303) 694-0862

GRADING & EROSION CONTROL PLANS FOR:  
**LATIGO TRAILS**  
**FILING NO. 10**  
EL PASO COUNTY  
FALCON, COLORADO

ISSUE	DATE
INITIAL ISSUE	9/26/24
RESUBMITTAL	11/18/24

DESIGNED BY: SBN  
DRAWN BY: SBN  
CHECKED BY: KGV  
FILE NAME: 21820-01PD

PREPARED UNDER MY DIRECT SUPERVISION FOR AND BEHALF OF DREXEL, BARRELL & CO.

**811** Know what's below.  
Call before you dig.  
CALL 3-BUSINESS DAYS IN ADVANCE BEFORE YOU DIG, GRADE, OR EXCAVATE FOR THE MARKING OF UNDERGROUND MEMBER UTILITIES.

DRAWING SCALE:  
HORIZONTAL: 1" = 20'  
VERTICAL: N/A

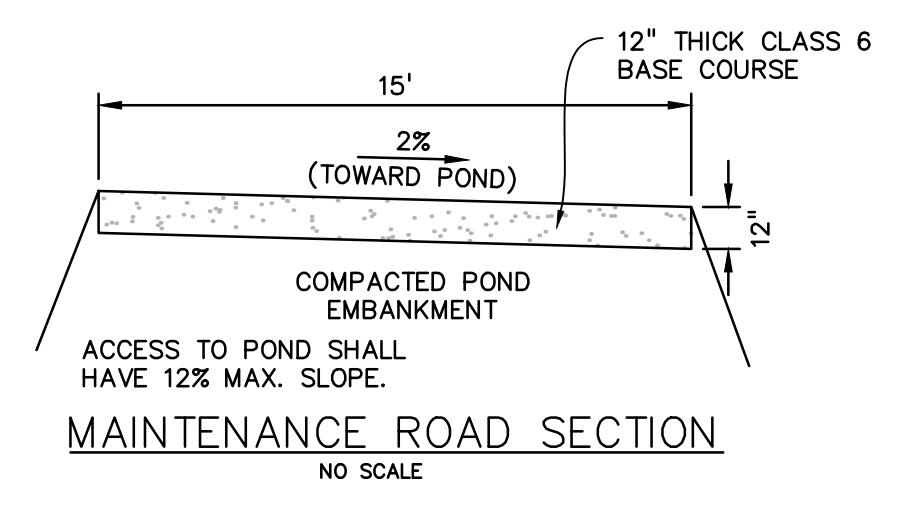
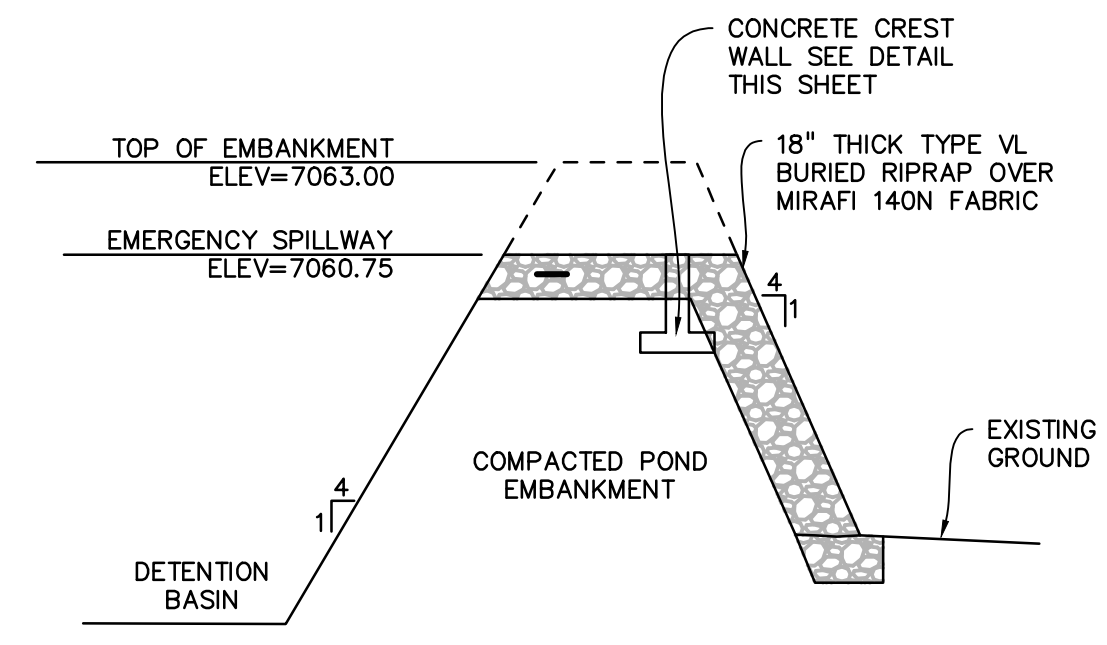
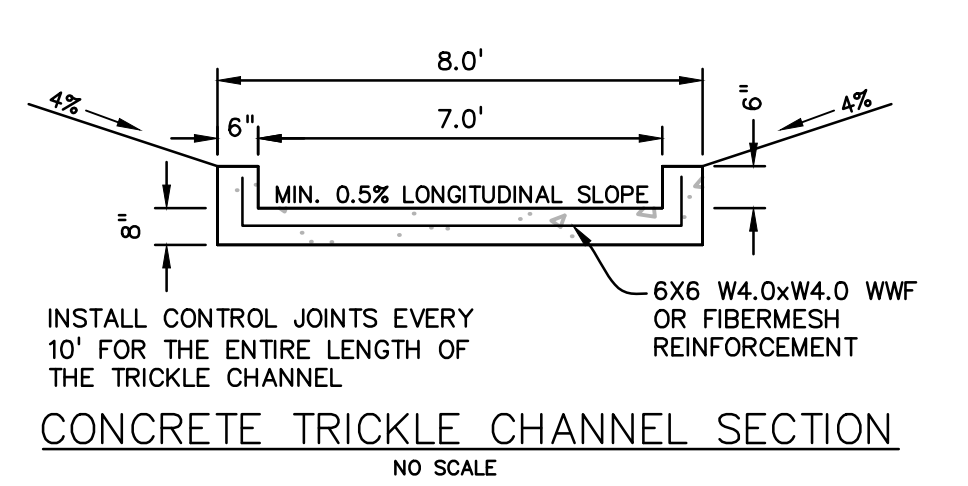
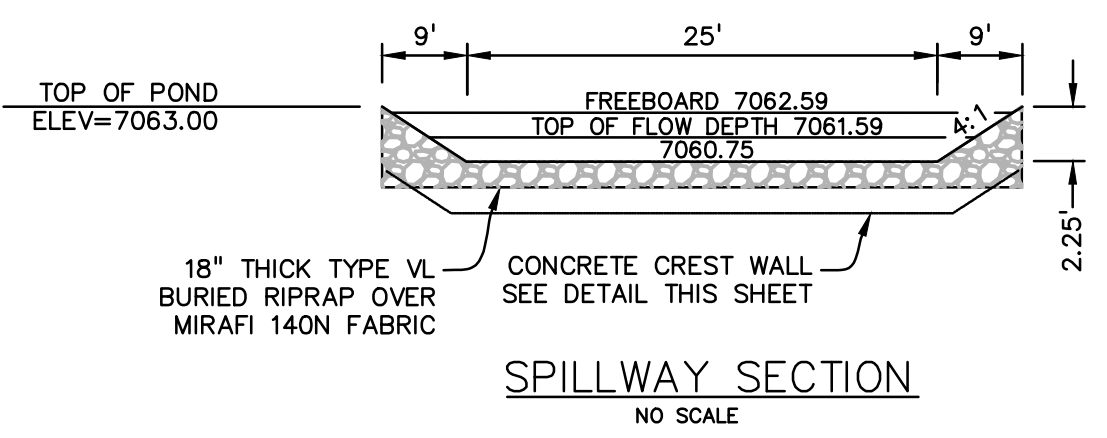
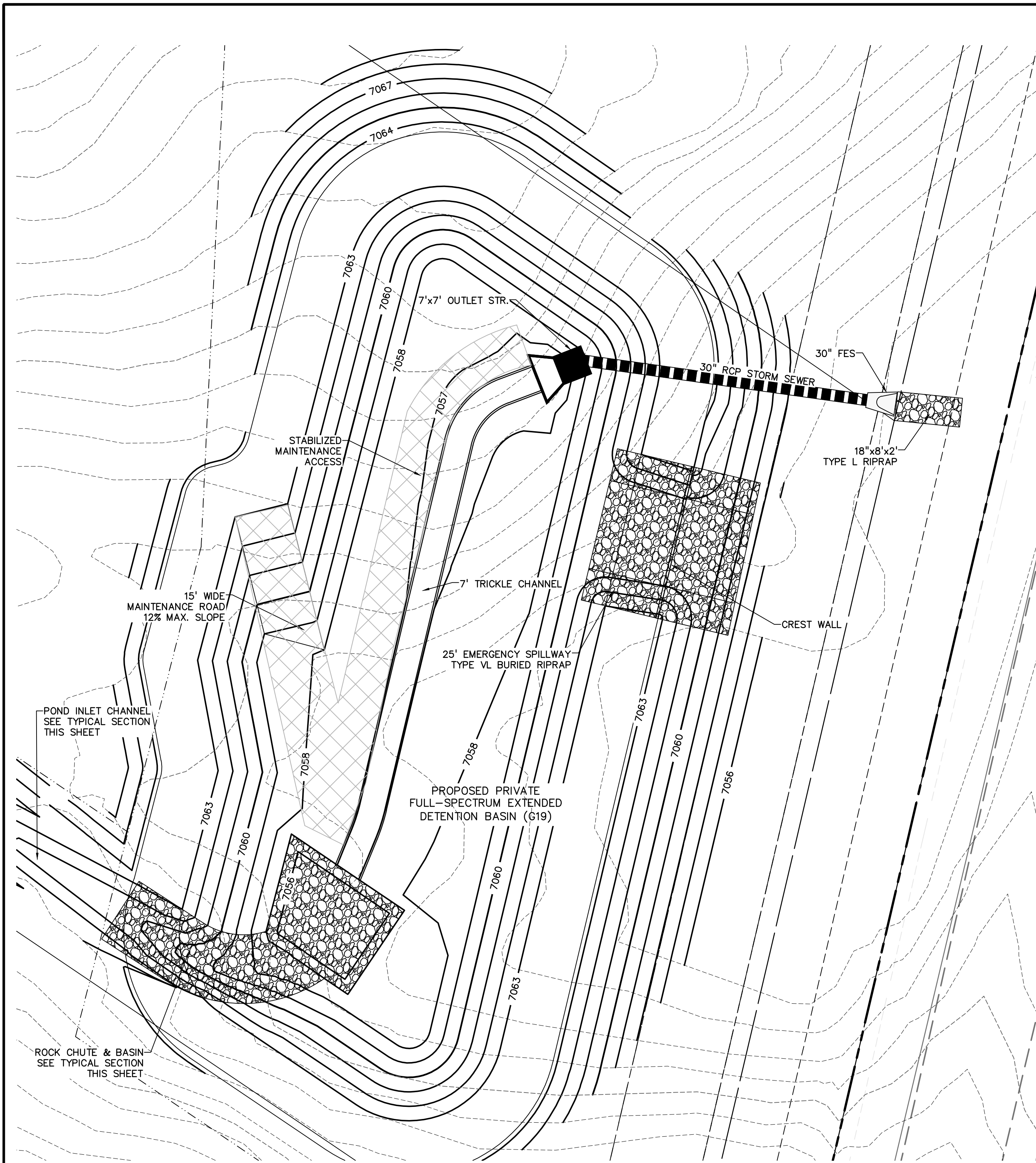
POND G18  
DETAILS

PROJECT NO. 21820-01CSCV  
DRAWING NO.

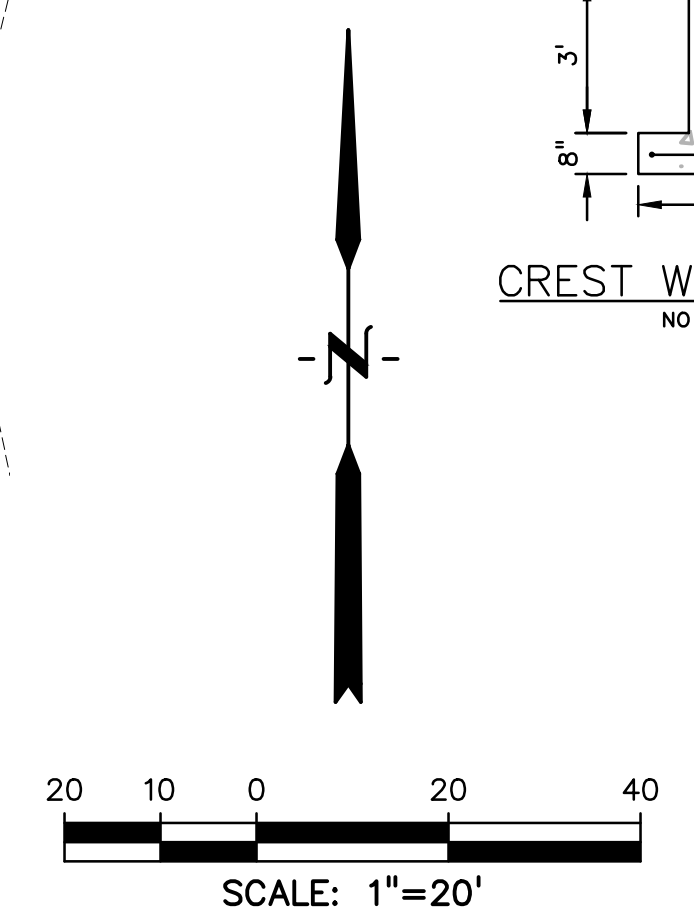
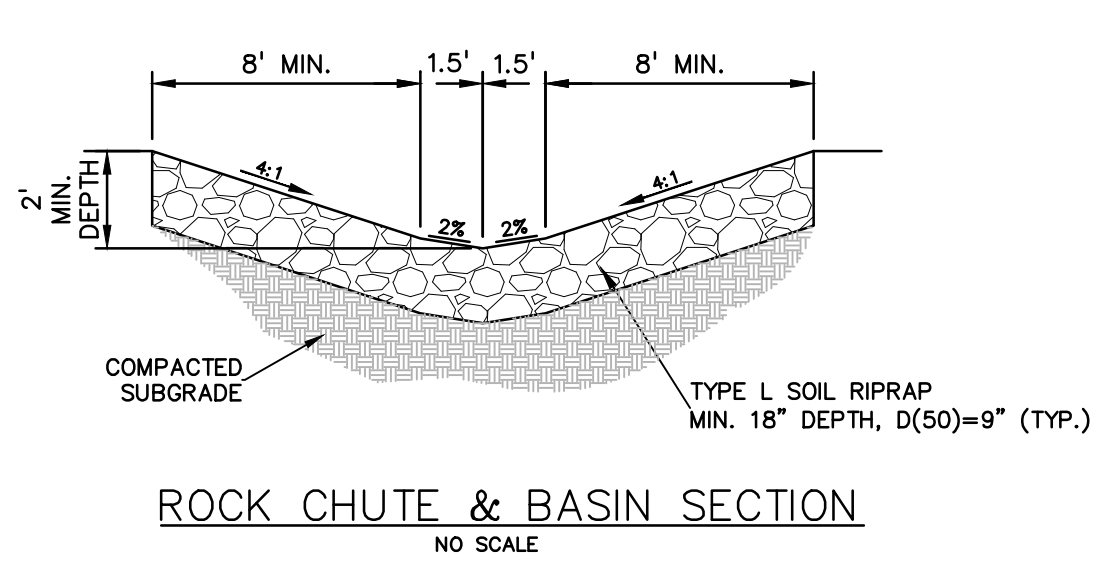
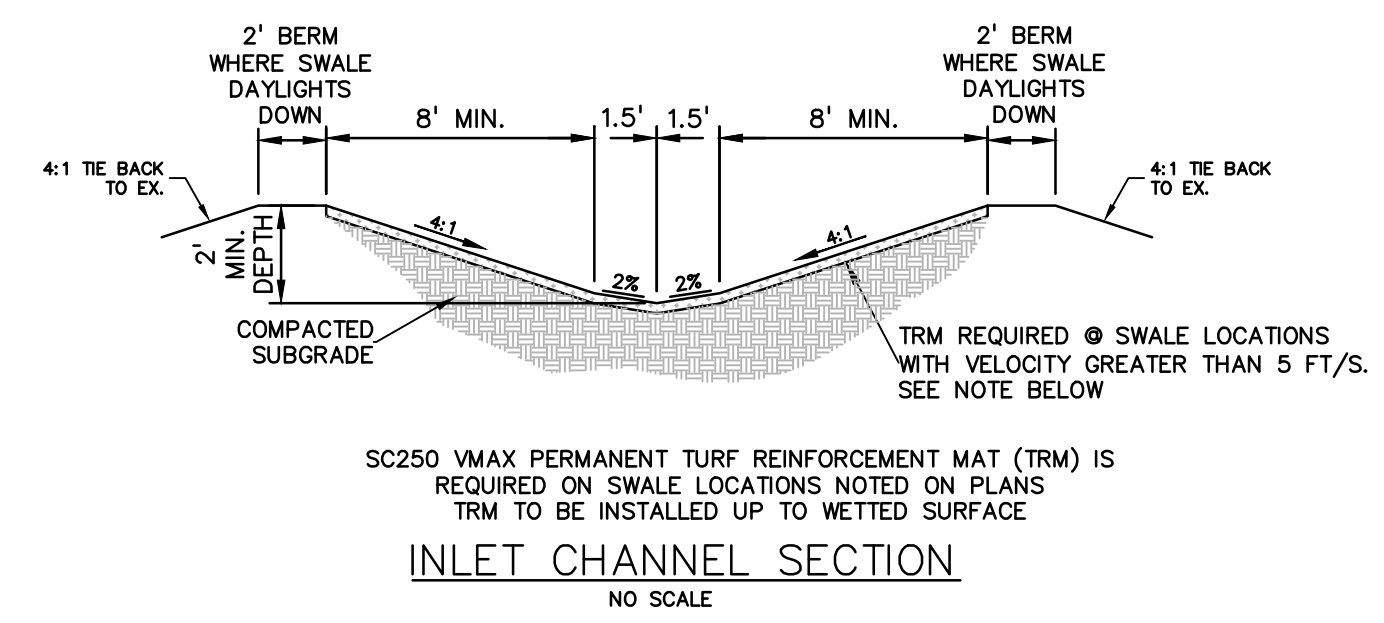
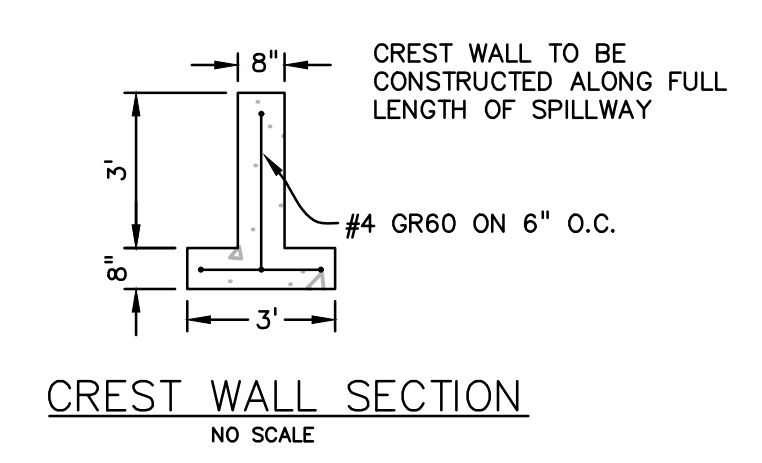
**PD2**



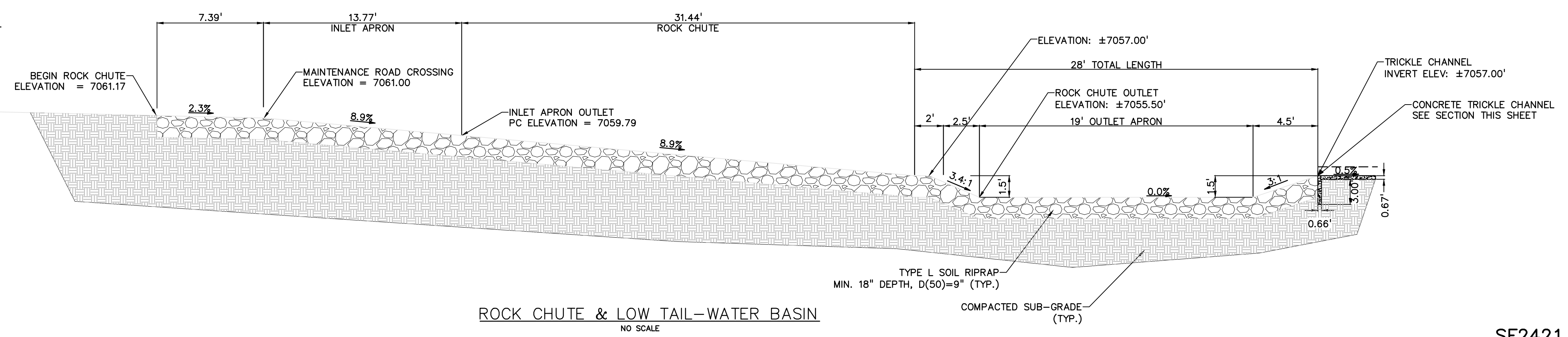




SPILLWAY SECTION  
NO SCALE



DETENTION FACILITY POND G19  
SCALE: 1"=20'



PREPARED BY:



CLIENT:

FALCON LATIGO, LLC  
5350 S. ROSLYN ST. STE #400  
ENGLEWOOD, CO 80111-2125  
(303) 694-0862

GRADING & EROSION CONTROL PLANS FOR:  
**LATIGO TRAILS**  
**FILING NO. 10**  
EL PASO COUNTY  
FALCON, COLORADO

ISSUE	DATE
INITIAL ISSUE	9/26/24
RESUBMITTAL	11/18/24

DESIGNED BY: SBN  
DRAWN BY: SBN  
CHECKED BY: KGV  
FILE NAME: 21820-01PD

PREPARED UNDER MY DIRECT SUPERVISION FOR AND BEHALF OF DREXEL, BARRELL & CO.

DRAWING SCALE:  
HORIZONTAL: 1" = 20'  
VERTICAL: N/A

POND G19  
DETAILS

PROJECT NO. 21820-01CSCV  
DRAWING NO.

**PD3**

SHEET: 14 OF 15



SF2421



