

7886 RANNOCH MOOR WAY

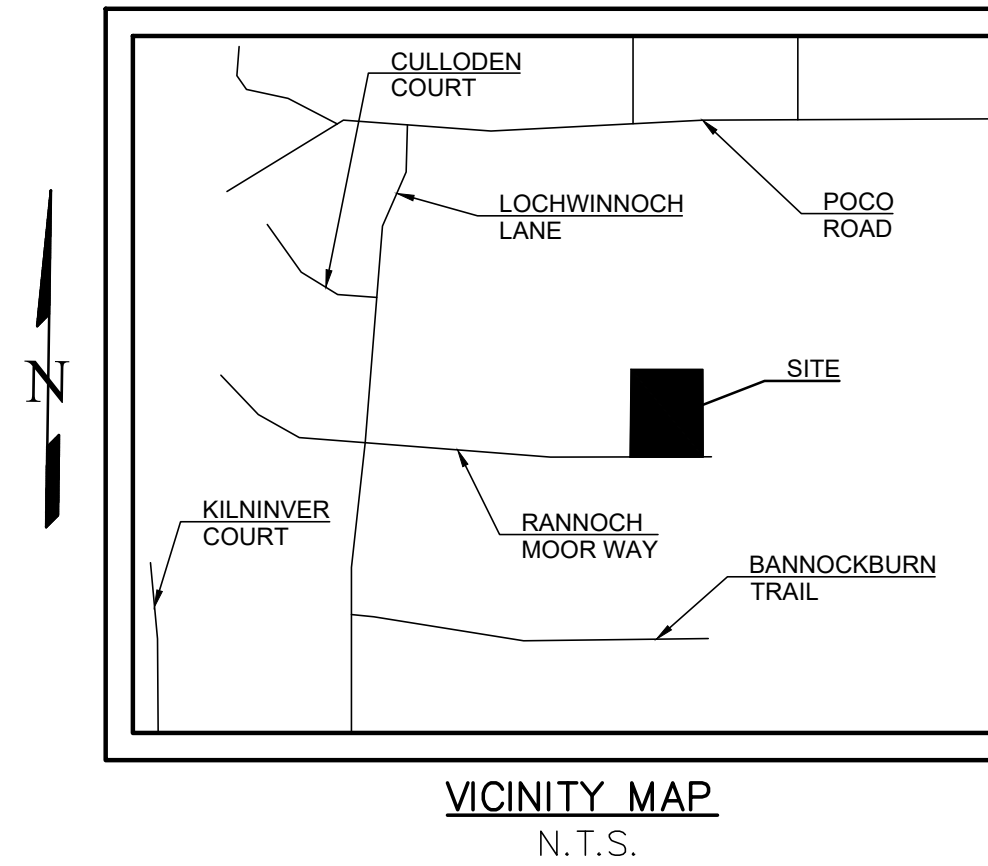
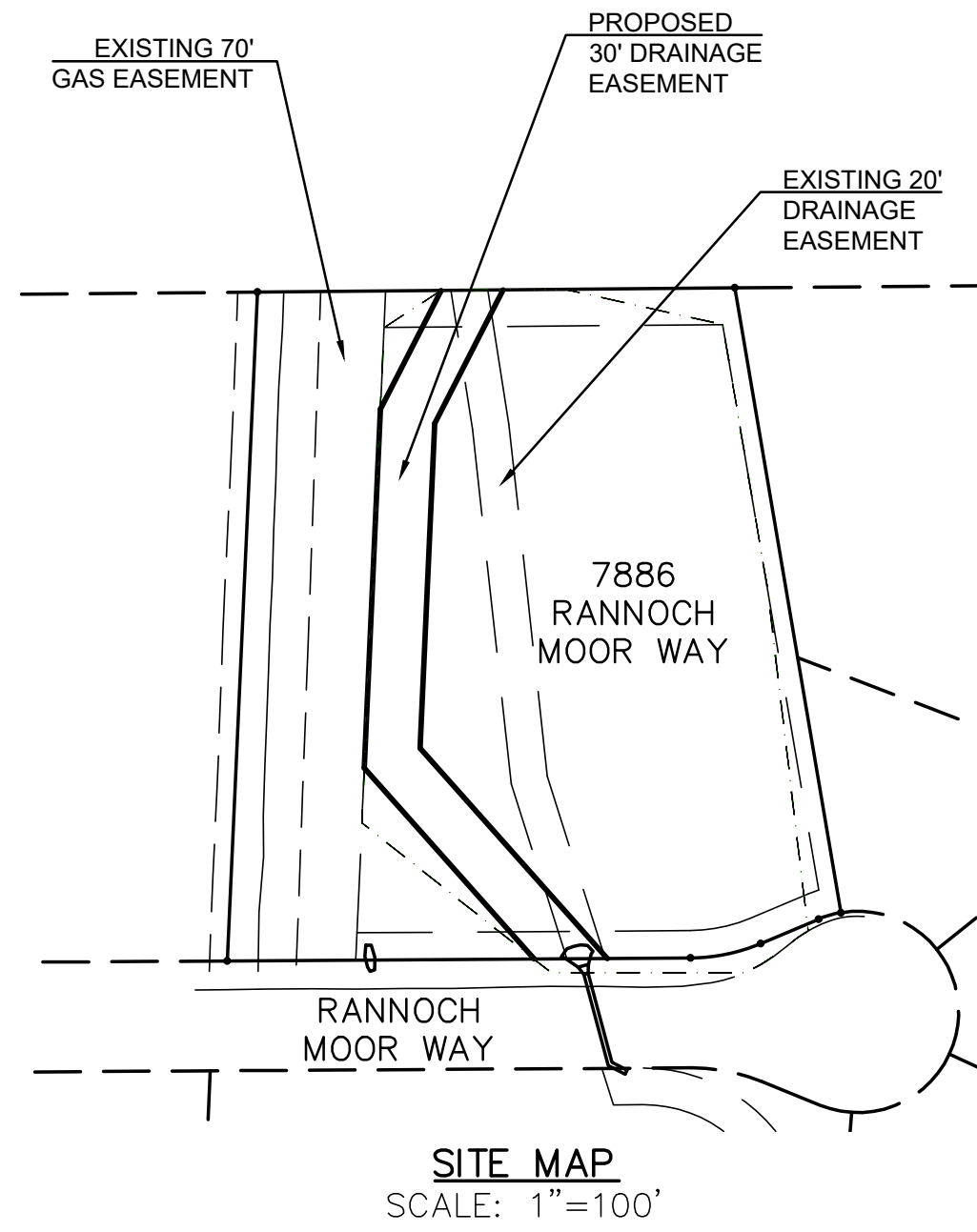
EL PASO COUNTY, CO

GRADING, EROSION, & SEDIMENT CONTROL PLAN

MAY 2026

STANDARD NOTES FOR EL PASO COUNTY GRADING AND EROSION CONTROL PLANS

- NOTWITHSTANDING ANYTHING DEPICTED IN THESE PLANS IN WORDS OR GRAPHIC REPRESENTATION, ALL DESIGN AND CONSTRUCTION RELATED TO ROADS, STORM DRAINAGE, AND EROSION CONTROL SHALL CONFORM TO THE STANDARDS AND REQUIREMENTS OF THE MOST RECENT VERSIONS OF THE RELEVANT ADOPTED EL PASO COUNTY (EPC) STANDARDS, INCLUDING THE LAND DEVELOPMENT CODE (LDC), THE ENGINEERING CRITERIA MANUAL (ECM), THE DRAINAGE CRITERIA MANUAL (DCM) VOLUME 1 AND 2. ANY DEVIATIONS FROM REGULATIONS AND STANDARDS MUST BE REQUESTED, AND APPROVED, IN WRITING.
- A PRECONSTRUCTION MEETING BETWEEN THE PERMIT HOLDER(S) AND EL PASO COUNTY SHALL BE HELD PRIOR TO ANY CONSTRUCTION ACTIVITIES. IT IS THE RESPONSIBILITY OF THE PERMIT HOLDER(S) TO COORDINATE THE MEETING TIME AND PLACE WITH COUNTY STAFF. NO LAND DISTURBANCE OR CONSTRUCTION ACTIVITIES BEYOND THE INSTALLATION OF THE INITIAL CONSTRUCTION CONTROL MEASURES (CCMS), AS INDICATED ON THE APPROVED GEC PLAN OR CDS WITH GEC PLANS, MAY OCCUR PRIOR TO RECEIVING A NOTICE TO PROCEED (NTP) ISSUED BY THE ECM ADMINISTRATOR. FAILURE TO OBTAIN A NOTICE TO PROCEED PRIOR TO BEGINNING LAND DISTURBING ACTIVITIES MAY RESULT IN AN IMMEDIATE STOP WORK ORDER (SWO).
- CONSTRUCTION CONTROL MEASURES MUST BE INSTALLED PRIOR TO COMMENCEMENT OF ACTIVITIES THAT COULD CONTRIBUTE POLLUTANTS TO STORMWATER. STORMWATER RUNOFF FROM ALL DISTURBED AREAS AND SOIL STORAGE AREAS MUST UTILIZE OR FLOW TO ONE OR MORE CCM(S) TO MINIMIZE EROSION OR SEDIMENT IN THE DISCHARGE. THE CCM(S) MUST CONTAIN OR FILTER FLOWS IN ORDER TO PREVENT THE BYPASS OF FLOWS WITHOUT TREATMENT AND MUST BE APPROPRIATE FOR STORMWATER RUNOFF FROM DISTURBED AREAS AND FOR THE EXPECTED FLOW RATE, DURATION, AND FLOW CONDITIONS (E.G., SHEET OR CONCENTRATED FLOW).
- ALL CCMs SHALL BE MAINTAINED AND REMAIN IN EFFECTIVE OPERATING CONDITION UNTIL FINAL STABILIZATION IS ACHIEVED. THE QUALIFIED STORMWATER MANAGER (QSM) SHALL ASSESS THE ADEQUACY OF CCMs AT THE SITE AND IDENTIFY IF CHANGES TO THOSE CCMs ARE NEEDED TO ENSURE THE CONTINUED EFFECTIVE PERFORMANCE OF THE CCMs.
- PRIOR TO CONSTRUCTION THE PERMIT HOLDER(S) SHALL VERIFY THE LOCATION OF EXISTING UTILITIES.
- MANAGEMENT OF THE STORMWATER MANAGEMENT PLAN (SWMP) DURING CONSTRUCTION IS THE RESPONSIBILITY OF THE DESIGNATED QSM. THE SWMP SHALL BE LOCATED ON-SITE OR DIGITALLY ACCESSIBLE AT ALL TIMES DURING CONSTRUCTION ACTIVITIES AND MUST BE IMPLEMENTED AS WRITTEN FROM THE START OF CONSTRUCTION ACTIVITY UNTIL FINAL STABILIZATION IS ACHIEVED. THE QSM SHALL AMEND THE SWMP WHEN THERE IS A CHANGE IN DESIGN, CONSTRUCTION, OPERATION, OR MAINTENANCE OF THE SITE WHICH WOULD REQUIRE THE IMPLEMENTATION OF NEW OR REVISED CCMs OR IF THE SWMP PROVES TO BE INEFFECTIVE IN CONTROLLING POLLUTANTS IN STORMWATER RUNOFF ASSOCIATED WITH CONSTRUCTION ACTIVITY OR WHEN CCMs ARE NO LONGER NECESSARY AND ARE REMOVED. THE QSM SHALL MAINTAIN A RECORD OF AMENDMENTS MADE TO THE SWMP THAT INCLUDES THE DATE AND IDENTIFICATION OF THE CHANGES.
- EARTH DISTURBANCES SHALL BE CONDUCTED IN SUCH A MANNER SO AS TO EFFECTIVELY MINIMIZE ACCELERATED SOIL EROSION AND RESULTING SEDIMENTATION. ALL DISTURBANCES SHALL BE DESIGNED, CONSTRUCTED, AND COMPLETED SO THAT THE EXPOSED AREA OF ANY DISTURBED LAND SHALL BE LIMITED TO THE SHORTEST PRACTICAL PERIOD OF TIME. PRE-EXISTING VEGETATION SHALL BE PROTECTED AND MAINTAINED WITHIN 50 HORIZONTAL FEET OF A RECEIVING WATER UNLESS SHOWN TO BE INFEASIBLE AND SPECIFICALLY REQUESTED AND APPROVED. IN ADDITION TO MAINTAINING 50 HORIZONTAL FEET OF PRE-EXISTING VEGETATION UPGRADIENT OF A RECEIVING WATER (UNLESS INFEASIBLE AND APPROVED), THE PERMIT HOLDER(S) MUST INSTALL CCMs UPGRADIENT OF THE VEGETATIVE BUFFER.
- TEMPORARY STABILIZATION MEASURES SHALL BE IMPLEMENTED ON DISTURBED AREAS AND STOCKPILES WHERE GROUND DISTURBING CONSTRUCTION ACTIVITY HAS PERMANENTLY CEASED OR TEMPORARILY CEASED FOR LONGER THAN 14 DAYS.
- EROSION CONTROL BLANKET (ECB) OR OTHER APPROVED CONTROL MEASURE(S) SHALL BE USED ON SLOPES STEEPER THAN 3:1.
- VEHICLE TRACKING CONTROLS (VTC) MUST BE IMPLEMENTED TO MINIMIZE VEHICLE TRACKING OF SEDIMENT FROM DISTURBED AREAS. VTCs MUST INCLUDE A STRUCTURE CONTROL MEASURE (E.G., TRACKING PAD) AND MAY INCLUDE A NON-STRUCTURAL CONTROL MEASURE (E.G., SWEEPING). MATERIAL TRACKED OFF-SITE SHALL BE CLEANED UP AND PROPERLY DISPOSED OF IMMEDIATELY.
- ANY TEMPORARY OR PERMANENT CONTROL MEASURE DESIGNED AND CONSTRUCTED FOR THE CONVEYANCE OF STORMWATER AROUND, THROUGH, OR FROM THE EARTH DISTURBANCE AREA SHALL BE A STABILIZED CONVEYANCE DESIGNED TO MINIMIZE EROSION AND THE DISCHARGE OF SEDIMENT OFF-SITE.
- NO PERSON SHALL CAUSE THE IMPEDIMENT OF STORMWATER FLOW IN THE CURB AND GUTTER, PERMANENT CONTROL MEASURES (PCMS), OR DITCHES EXCEPT WITH APPROVED SEDIMENT CONTROL MEASURES.
- ALL PCMS SHALL BE INSTALLED AS DESIGNED IN THE APPROVED PLANS. ANY PROPOSED CHANGES THAT AFFECT THE DESIGN OR FUNCTION OF PCMS MUST BE APPROVED BY THE ECM ADMINISTRATOR PRIOR TO IMPLEMENTATION.
- SOIL COMPACTION MUST BE MINIMIZED IN AREAS WHERE INFILTRATION PCMS WILL BE INSTALLED OR IN AREAS WHERE FINAL STABILIZATION WILL BE ACHIEVED BY VEGETATIVE COVER. AREAS DESIGNATED FOR INFILTRATION PCMS SHALL ALSO BE PROTECTED FROM SEDIMENTATION DURING CONSTRUCTION UNTIL FINAL STABILIZATION IS ACHIEVED. IF SOIL COMPACTION DOES OCCUR IN AREAS WHERE FINAL STABILIZATION WILL BE ACHIEVED BY VEGETATIVE COVER OR IN AREAS WHERE INFILTRATION PCMS WILL BE INSTALLED, DECOMPACTION OF THE SOIL MUST BE COMPLETED PRIOR TO PLANTING OR INSTALLATION OF THE PCMS. AN INFILTRATION TEST MUST BE CONDUCTED FOR ALL INFILTRATION PCMS AND THE INFILTRATION TEST RESULTS SUBMITTED TO EL PASO COUNTY PRIOR TO PRELIMINARY ACCEPTANCE (PA).
- FINAL STABILIZATION MUST BE IMPLEMENTED AT ALL APPLICABLE CONSTRUCTION SITES. FINAL STABILIZATION IS ACHIEVED WHEN ALL GROUND DISTURBING ACTIVITIES AT THE SITE HAVE BEEN COMPLETED AND PERMANENT STABILIZATION METHODS ARE COMPLETE. WHEN USING VEGETATIVE COVER AS A PERMANENT STABILIZATION METHOD, THE VEGETATION SHALL BE EVENLY DISTRIBUTED PERENNIAL VEGETATION AND OF THE VARIETY AND SPECIES FOUND IN THE COUNTY-APPROVED SEED MIXES OR IN THE APPROVED GEC PLAN. VEGETATION COVERAGE SHALL BE, AT A MINIMUM, EQUAL TO 70% OF WHAT WOULD HAVE BEEN PROVIDED BY NATIVE VEGETATION IN A LOCAL, UNDISTURBED AREA OR ADEQUATE REFERENCE SITE. ALL TEMPORARY CCMs SHALL BE REMOVED UPON FINAL STABILIZATION AND PRIOR TO STORMWATER PERMIT TERMINATION.
- STORMWATER DISCHARGES FROM CONSTRUCTION SITES SHALL NOT CAUSE OR THREATEN TO CAUSE POLLUTION, CONTAMINATION, OR DEGRADATION OF STATE WATERS. ALL WORK AND EARTH DISTURBANCE SHALL BE DONE IN A MANNER THAT MINIMIZES POLLUTION OF ANY ON-SITE OR OFF-SITE WATERS, INCLUDING WETLANDS.
- CONCRETE WASH WATER SHALL BE CONTAINED AND DISPOSED OF IN ACCORDANCE WITH THE SWMP. NO WASH WATER SHALL BE DISCHARGED TO OR ALLOWED TO BE DISCHARGED OFFSITE OR TO ENTER STATE WATERS, INCLUDING ANY SURFACE OR SUBSURFACE STORM DRAINAGE SYSTEM OR CONTROL MEASURES. CONCRETE WASHOUT AREAS SHALL NOT BE LOCATED IN AN AREA WHERE SHALLOW GROUNDWATER MAY BE PRESENT, OR WITHIN 50 FEET OF A SURFACE WATER BODY, CREEK, OR STREAM.
- DURING CONSTRUCTION DEWATERING OPERATIONS, UNCONTAMINATED GROUNDWATER MAY BE DISCHARGED ON-SITE IN ACCORDANCE WITH THE COLORADO DEPARTMENT OF PUBLIC HEALTH AND ENVIRONMENT'S (CDPHE) LOW RISK DISCHARGE GUIDANCE POLICY FOR DISCHARGES OF UNCONTAMINATED GROUNDWATER TO LAND. IF CONSTRUCTION DEWATERING OPERATIONS ARE UNABLE TO MEET ALL CRITERIA, CONDITIONS, AND CONTROL MEASURE REQUIREMENTS OF THE LOW RISK DISCHARGE GUIDANCE POLICY, A COLORADO DISCHARGE PERMIT SYSTEM (CDPS) GENERAL PERMIT CG080000 WILL BE REQUIRED.
- CONTRACTOR SHALL BE RESPONSIBLE FOR THE REMOVAL OF ALL WASTE FROM THE CONSTRUCTION SITE FOR DISPOSAL IN ACCORDANCE WITH LOCAL AND STATE REGULATORY REQUIREMENTS. NO CONSTRUCTION DEBRIS, TREE SLASH, BUILDING MATERIAL WASTES, OR UNUSED BUILDING MATERIALS SHALL BE BURIED, DUMPED, OR DISCHARGED AT THE SITE.
- THE PERMIT HOLDER(S) SHALL BE RESPONSIBLE FOR THE REMOVAL OF ALL CONSTRUCTION DEBRIS, DIRT, TRASH, ROCK, SEDIMENT, SOIL, AND SAND THAT MAY ACCUMULATE IN ROADS, STORM DRAINS AND OTHER DRAINAGE CONVEYANCE SYSTEMS AND STORMWATER APPURTENANCES AS A RESULT OF SITE DEVELOPMENT.
- THE QUANTITY OF MATERIALS STORED ON THE PROJECT SITE SHALL BE LIMITED, AS MUCH AS PRACTICAL, TO THAT QUANTITY REQUIRED TO PERFORM THE WORK IN AN ORDERLY SEQUENCE. ALL MATERIALS STORED ON-SITE SHALL BE STORED IN A NEAT, ORDERLY MANNER, IN THEIR ORIGINAL CONTAINERS, WITH ORIGINAL MANUFACTURER'S LABELS.
- MATERIALS SHALL NOT BE TEMPORARILY PLACED OR STORED IN THE STREET, ALLEY, OR OTHER PUBLIC WAY, UNLESS IN ACCORDANCE WITH AN APPROVED TRAFFIC CONTROL PLAN. APPROPRIATE CCMs SHALL BE UTILIZED BASED ON SPECIFIC CONDITIONS AND CIRCUMSTANCES.
- BULK STORAGE (I.E., INDIVIDUAL CONTAINERS OF 55 GALLONS OR GREATER) OF ALLOWED PETROLEUM PRODUCTS OR OTHER ALLOWED LIQUID SHALL REQUIRE ADEQUATE SECONDARY CONTAINMENT, OR EQUIVALENT PROTECTION, TO CONTAIN ALL SPILLS ON-SITE AND TO PREVENT ANY SPILLED MATERIALS FROM ENTERING STATE WATERS, ANY SURFACE OR SUBSURFACE STORM DRAINAGE SYSTEM, OR OTHER FACILITIES.
- NO CHEMICAL(S) HAVING THE POTENTIAL TO BE RELEASED IN STORMWATER ARE TO BE STORED OR USED ON-SITE UNLESS PERMISSION FOR THE USE OF SUCH CHEMICAL(S) IS GRANTED IN WRITING BY THE ECM ADMINISTRATOR. IN GRANTING APPROVAL FOR THE USE OF SUCH CHEMICAL(S), SPECIAL CONDITIONS AND MONITORING MAY BE REQUIRED.
- ON AREAS OF EXPOSED SOIL, MINIMIZE DUST THROUGH THE APPROPRIATE APPLICATION OF WATER OR OTHER DUST SUPPRESSION TECHNIQUES. WATER APPLICATION MUST BE CONDUCTED IN A MANNER TO PREVENT DISCHARGE OFFSITE UNLESS AUTHORIZED BY A CDPS OR NATIONAL POLLUTANT DISCHARGE ELIMINATION SYSTEM (NPDES) PERMIT.
- ALL CONSTRUCTION TRAFFIC MUST ENTER/EXIT THE SITE ONLY AT APPROVED CONSTRUCTION ACCESS POINTS.
- FOR SITES WHERE A SOILS REPORT IS REQUIRED, THE APPROVED SOILS REPORT FOR THIS SITE SHALL BE CONSIDERED A PART OF THESE PLANS.
- PERMIT HOLDER(S) AND THEIR AGENTS SHALL COMPLY WITH THE "COLORADO WATER QUALITY CONTROL ACT" (TITLE 25, ARTICLE 8, CRS), AND THE "CLEAN WATER ACT" (33 USC 1344), IN ADDITION TO THE REQUIREMENTS OF THE LAND DEVELOPMENT CODE, DRAINAGE CRITERIA MANUAL VOLUME 2, AND ENGINEERING CRITERIA MANUAL ALL APPLICABLE LOCAL, STATE, AND FEDERAL PERMITS MUST BE OBTAINED PRIOR TO CONSTRUCTION. IN THE EVENT OF CONFLICTS BETWEEN THESE REQUIREMENTS AND OTHER LAWS, RULES, OR REGULATIONS OF OTHER FEDERAL, STATE, LOCAL, OR COUNTY AGENCIES, THE MOST RESTRICTIVE LAWS, RULES, OR REGULATIONS SHALL APPLY.
- AT LEAST TEN (10) DAYS PRIOR TO THE ANTICIPATED START OF CONSTRUCTION, FOR PROJECTS THAT WILL DISTURB ONE (1) ACRE OR MORE OR LESS THAN 1 ACRE AND PART OF A LARGER COMMON PLAN OF DEVELOPMENT OR SALE THAT WOULD DISTURB 1 OR MORE ACRES, THE PERMIT HOLDER(S) SHALL SUBMIT A PERMIT APPLICATION FOR STORMWATER DISCHARGE (COR400000 PERMIT) TO THE CDPHE WATER QUALITY DIVISION. THE APPLICATION CONTAINS CERTIFICATION OF COMPLETION OF A SWMP, OF WHICH THIS GEC PLAN MAY BE A PART. FOR INFORMATION OR APPLICATION MATERIALS CONTACT:
COLORADO DEPARTMENT OF PUBLIC HEALTH AND ENVIRONMENT
WATER QUALITY CONTROL DIVISION
WQCD - PERMITS
4300 CHERRY CREEK DRIVE SOUTH
DENVER, CO 80246-1530
ATTN: PERMITS UNIT



DESCRIPTION OF ACTIVITIES:

THE DEVELOPER PROPOSES TO STOCKPILE SOIL AND RE-GRADE THE SITE SO THAT THE DRAINAGE EASEMENT CAN BE MOVED TO A MORE SUITABLE LOCATION. THE SITE CONSISTS OF APPROXIMATELY 2.50 ACRES OF UNDEVELOPED PRAIRIE LOCATED IN EL PASO COUNTY.

EROSION CONTROL MEASURES SHALL BE IMPLEMENTED IN A MANNER THAT WILL PROTECT PROPERTIES AND PUBLIC FACILITIES FROM THE ADVERSE EFFECTS OF EROSION AND SEDIMENTATION AS A RESULT OF CONSTRUCTION AND EARTHWORK ACTIVITIES. IT IS ANTICIPATED THAT CONSTRUCTION ACTIVITIES WILL OCCUR BETWEEN SPRING OF 2026 AND FALL OF 2026, AT WHICH POINT IT WILL BE CONSIDERED COMPLETED.

CONSTRUCTION PHASING IS ANTICIPATED TO OCCUR AS FOLLOWS:

- PHASE 1:**
PRIOR TO START OF CONSTRUCTION, INITIAL EROSION CONTROL MEASURES TO BE INSTALLED INCLUDE SEDIMENT CONTROL LOG (SCL) ALONG THE DOWNHILL SIDE OF DISTURBED AREA. ALSO INCLUDED IN THIS PHASE WILL BE INSTALLATION OF SEDIMENT CONTROL LOG (SCL) AROUND THE BASE OF ANY DIRT STOCKPILE AREAS. UNTIL THE STOCKPILE HAS BEEN REMOVED, THE SEDIMENT CONTROL LOG SHALL REMAIN IN PLACE AND BE MAINTAINED IN SUCH A WAY AS TO REDUCE TRANSFERENCE OF SEDIMENTATION OVER THE SITE.
- PHASE 2:**
ALL PREVIOUSLY INSTALLED BMP'S SHALL REMAIN IN PLACE UNTIL A LATER PHASE.
- PHASE 3:**
ANY AREA THAT IS GOING TO REMAIN IN AN INTERIM STATE FOR MORE THAN 60 DAYS SHALL BE SEEDED IN ORDER TO ESTABLISH A VEGETATIVE COVER UNTIL THE FINAL LANDSCAPING IS INSTALLED. ALL TEMPORARY SOIL EROSION CONTROL MEASURES AND BMP'S SHALL BE MAINTAINED UNTIL PERMANENT SOIL EROSION CONTROL MEASURES ARE IMPLEMENTED AND VEGETATION HAS BEEN ESTABLISHED TO 70% ON AREAS NOT COVERED BY GRAVEL. ONCE VEGETATIVE COVER HAS BEEN ESTABLISHED AT 70% OF THE DISTURBED AREAS, SEDIMENT CONTROL LOG WILL BE REMOVED FROM ANY DIRT STOCKPILE AREAS. THE DIRT STOCKPILES (SP) WILL BE REMOVED AND RE-VEGETATED AS PART OF THIS PHASE.
- PHASE 4:**
FINAL CONSTRUCTION ACTIVITIES HAVE BEEN COMPLETED AT THIS POINT. THE PERMANENT EROSION CONTROL MEASURES HAVE BEEN ESTABLISHED.

THE SOILS ON THIS SITE ARE PRING COARSE SANDY LOAM (71), 3% TO 8% SLOPES. THE SOIL IS IN HYDROLOGIC SOIL GROUP B, THEREFORE, THERE ARE MODERATE RUNOFF POTENTIALS. THERE ARE NO WETLANDS ON THIS SITE.

THE SITE CONSISTS OF UNDEVELOPED LAND THAT HAS NATURAL VEGETATIVE COVER OF ABOUT 70% CONSISTING OF NATIVE GRASSES BASED ON AERIAL PHOTOS AND A SITE VISIT.

THERE ARE NO POTENTIAL POLLUTANTS EXISTING OR PROPOSED FOR STORAGE ON THIS SITE.

THIS SITE IS WITHIN THE SAND CREEK DRAINAGE BASIN. DRAINAGE TYPICALLY FLOWS FROM THE NORTH TOWARDS THE SOUTH ON THIS SITE.

THE PROPERTY OWNER OR OWNERS REPRESENTATIVE IS RESPONSIBLE FOR INSPECTING AND MAINTAINING THE SITE ON A REGULAR BASIS. INITIAL CRITERIA FOR THE OCCURRENCE OF INSPECTIONS IS AS FOLLOWS:
ONCE EVERY 14 DAYS OR
AFTER ANY PRECIPITATION OR SNOWMELT EVENT THAT SIGNIFICANT ENOUGH TO CAUSE SURFACE EROSION.
A WRITTEN RECORD OF INSPECTIONS SHALL BE KEPT BY THE OWNER OR OWNERS REPRESENTATIVE AND MADE AVAILABLE TO THE COUNTY UPON REQUEST. THIS WILL CONTINUE UNTIL THE SITE IS STABILIZED AND THE STOCKPILE IS NO LONGER NEEDED.

SHEET INDEX

COVER SHEET	1 OF 4
EROSION AND SEDIMENT CONTROL PLAN	2 OF 4
EROSION CONTROL DETAILS	3 OF 4
CONSTRUCTION NOTES & EC DETAILS	4 OF 4

SITE DATA

OWNER/PETITIONER:
ASPEN VALLEY CUSTOM HOMES, LLC
PO BOX 49
MONUMENT, CO 80132
SCOTT STRATE, (719) 314-9830

PREPARER:
TERRA NOVA ENGINEERING, INC.
721 S 23RD STREET
COLORADO SPRINGS, CO 80904
(719) 635-6422 OFFICE

AREA

TOTAL AREA TO BE CLEARED, EXCAVATED, GRADED OR DISTURBED IS 1.73± ACRES.

VOLUME

EARTHWORK VOLUMES: 1,800± CUBIC YARDS FILL

ENGINEER'S STATEMENT

THIS GRADING AND EROSION CONTROL PLAN WAS PREPARED UNDER MY DIRECTION AND SUPERVISION AND IS CORRECT TO THE BEST OF MY KNOWLEDGE AND BELIEF. SAID PLAN HAS BEEN PREPARED ACCORDING TO THE CRITERIA ESTABLISHED BY THE COUNTY FOR GRADING AND EROSION CONTROL. I ACCEPT RESPONSIBILITY FOR ANY LIABILITY CAUSED BY ANY NEGLIGENT ACTION OR OMISSIONS ON MY PART IN PREPARING THIS REPORT.



JOHN FORANNDER, P.E. #66415
FOR AND ON BEHALF OF TERRA NOVA ENGINEERING, INC.

OWNER'S STATEMENT

I, THE OWNER/DEVELOPER HAVE READ AND WILL COMPLY WITH THE REQUIREMENTS OF THE GRADING AND EROSION CONTROL PLAN.

OWNER NAME: Scott Strate DATE: 06/15/2026

EL PASO COUNTY APPROVAL

COUNTY PLAN REVIEW IS PROVIDED ONLY FOR GENERAL CONFORMANCE WITH COUNTY DESIGN CRITERIA. THE COUNTY IS NOT RESPONSIBLE FOR THE ACCURACY AND ADEQUACY OF THE DESIGN, DIMENSIONS, AND/OR ELEVATIONS WHICH SHALL BE CONFIRMED AT THE JOB SITE. THE COUNTY THROUGH THE APPROVAL OF THIS DOCUMENT ASSUMES NO RESPONSIBILITY FOR COMPLETENESS AND/OR ACCURACY OF THIS DOCUMENT.

FILED IN ACCORDANCE WITH THE REQUIREMENTS OF THE EL PASO COUNTY LAND DEVELOPMENT CODE, DRAINAGE CRITERIA MANUAL VOLUMES 1 AND 2, AND ENGINEERING CRITERIA MANUAL AS AMENDED.

IN ACCORDANCE WITH ECM SECTION 1.12, THESE CONSTRUCTION DOCUMENTS WILL BE VALID FOR CONSTRUCTION FOR A PERIOD OF 2 YEARS FROM THE DATE SIGNED BY THE EL PASO COUNTY ENGINEER. IF CONSTRUCTION HAS NOT STARTED WITHIN THOSE 2 YEARS, THE PLANS WILL NEED TO BE RESUBMITTED FOR APPROVAL, INCLUDING PAYMENT OF REVIEW FEES AT THE PLANNING AND COMMUNITY DEVELOPMENT DIRECTORS DISCRETION.

JOSHUA J PALMER / ECM ADMINISTRATOR DATE _____

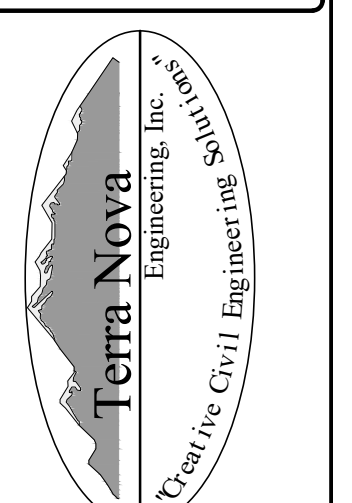
EROSION CONTROL COST OPINION

1. 2 AC-SEEDING & MULCH @ \$2,037/AC	\$	4,074
2. 1 EA.-FUEL SPILL KIT @ \$200.00/EA	\$	200
3. 1 EA.-VEHICLE TRACKING CONTROL @ \$3,840.00/EA	\$	3,840
4. 120 LF-SEDIMENT CONTROL LOG @ \$11.00/LF	\$	1,320
5. 1 EA.-INLET PROTECTION @ \$322.00/EA	\$	322
5. 40% MAINTENANCE AND REPLACEMENT	\$	3,902
TOTAL	\$	13,658

NO.	DESCRIPTION	DATE

UNTIL SUCH TIME AS THESE DRAWINGS ARE APPROVED BY THE RELEVANT AGENCIES, THE USER INCORPORATES THEM INTO THEIR USE ONLY FOR THE PURPOSES DESIGNATED BY WRITTEN AUTHORIZATION.

PREPARED FOR:
ASPEN VALLEY CUSTOM HOMES
ATTN: SCOTT STRATE
PO BOX 49
MONUMENT, CO 80132
(719) 314-9830



721 S. 23RD STREET
COLORADO SPRINGS, CO 80904
OFFICE: 719-635-6422
FAX: 719-635-6426
www.tneng.com

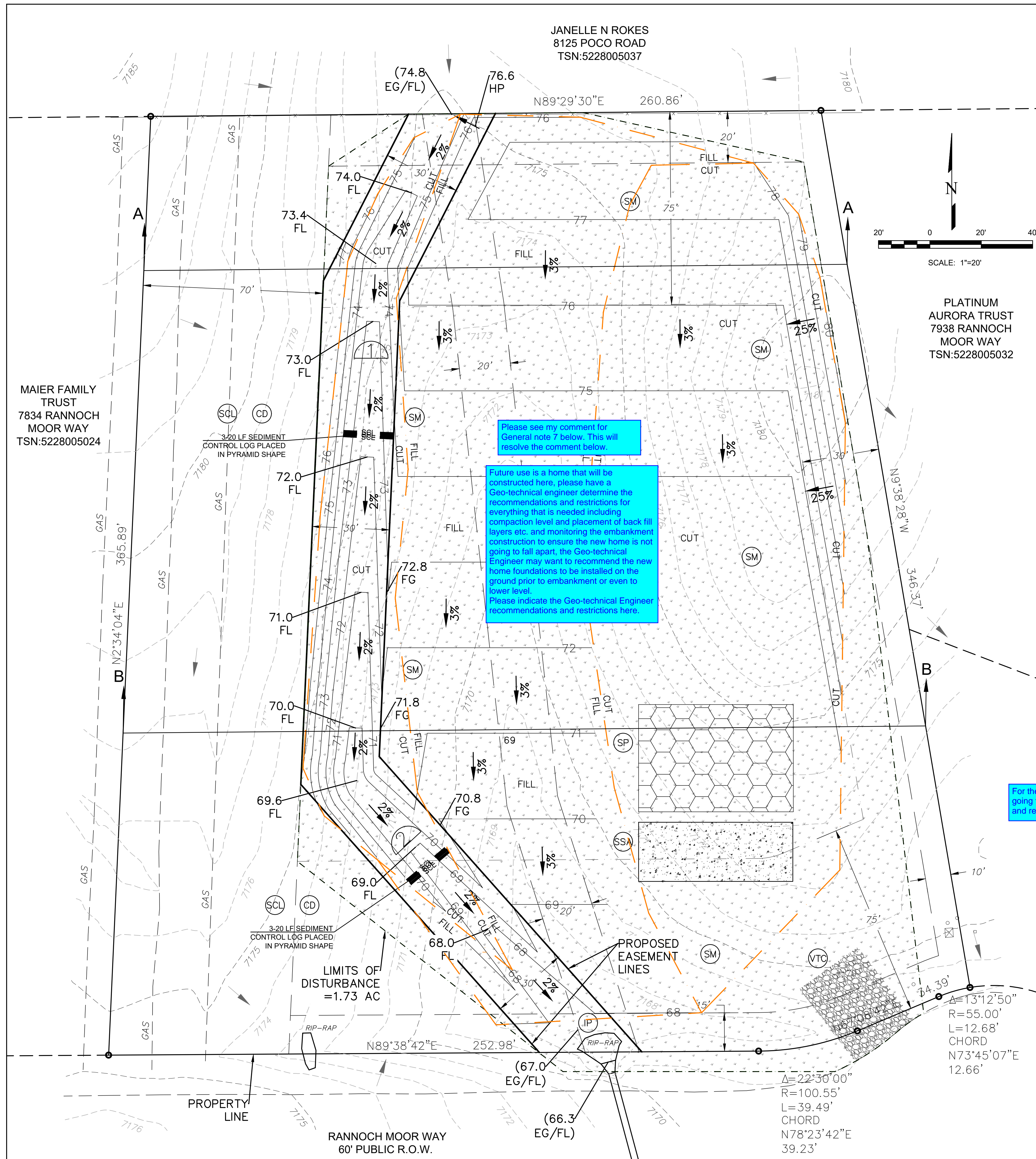
721 S. 23RD STREET
COLORADO SPRINGS, CO 80904
OFFICE: 719-635-6422
FAX: 719-635-6426
www.tneng.com

7886 RANNOCH MOOR WAY

GRADING, EROSION, & SEDIMENT CONTROL PLAN
COVER SHEET

DESIGNED BY	JF
DRAWN BY	JF
CHECKED BY	
H-SCALE	AS SHOWN
V-SCALE	NA
JOB NO.	2602.00
DATE ISSUED	5/11/26
SHEET NO.	1 OF 4

PCD FILE NO. VR262



JANELLE N ROKES
8125 POCO ROAD
TSN:5228005037

PLATINUM AURORA TRUST
7938 RANNOCH MOOR WAY
TSN:5228005032

MAIER FAMILY TRUST
7834 RANNOCH MOOR WAY
TSN:5228005024

LIMITS OF DISTURBANCE
= 1.73 AC

RANNOCH MOOR WAY
60' PUBLIC R.O.W.

Please see my comment for General note 7 below. This will resolve the comment below.

Future use is a home that will be constructed here, please have a Geo-technical engineer determine the recommendations and restrictions for everything that is needed including compaction level and placement of back fill layers etc. and monitoring the embankment construction to ensure the new home is not going to fall apart, the Geo-technical Engineer may want to recommend the new home foundations to be installed on the ground prior to embankment or even to lower level. Please indicate the Geo-technical Engineer recommendations and restrictions here.

For the record: Please explain how you are going to vacate the old drainage easement and record the new easement.

Please add the following here "The GEC Permit and the"

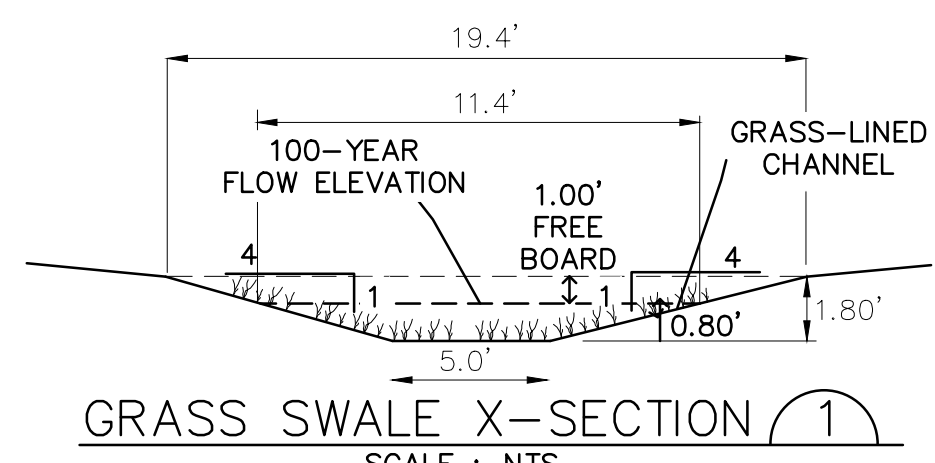
FYI: I am trying to avoid having the GEC Plan get constructed without the Geo-technical report recommendations and restrictions.

LEGEND

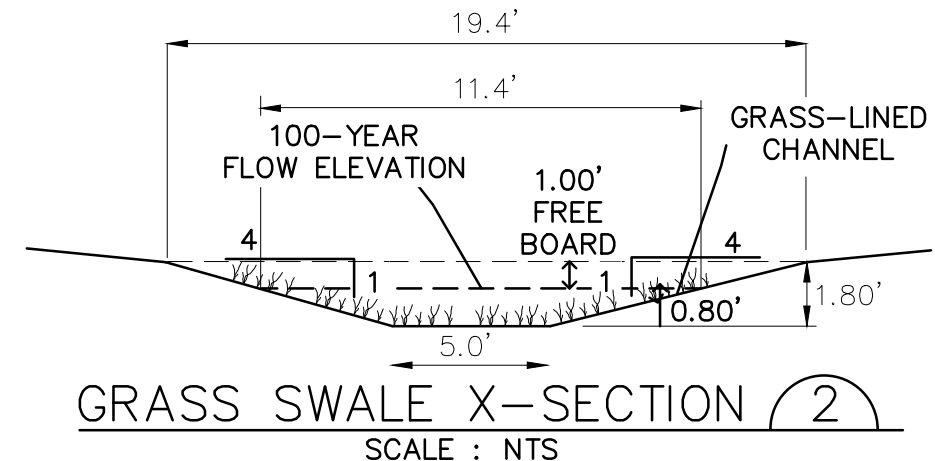
- EXISTING CONTOUR-MAJOR
- EXISTING CONTOUR-MINOR
- EXISTING FLOW DIRECTION
- EXISTING PROPERTY LINE/ROW
- EXISTING EASEMENT
- LIMITS OF DISTURBANCE/CONSTRUCTION
- PROPOSED EASEMENT
- ADJACENT PROPERTY LINE/ROW
- CUT/FILL BOUNDARY

EROSION CONTROL LEGEND

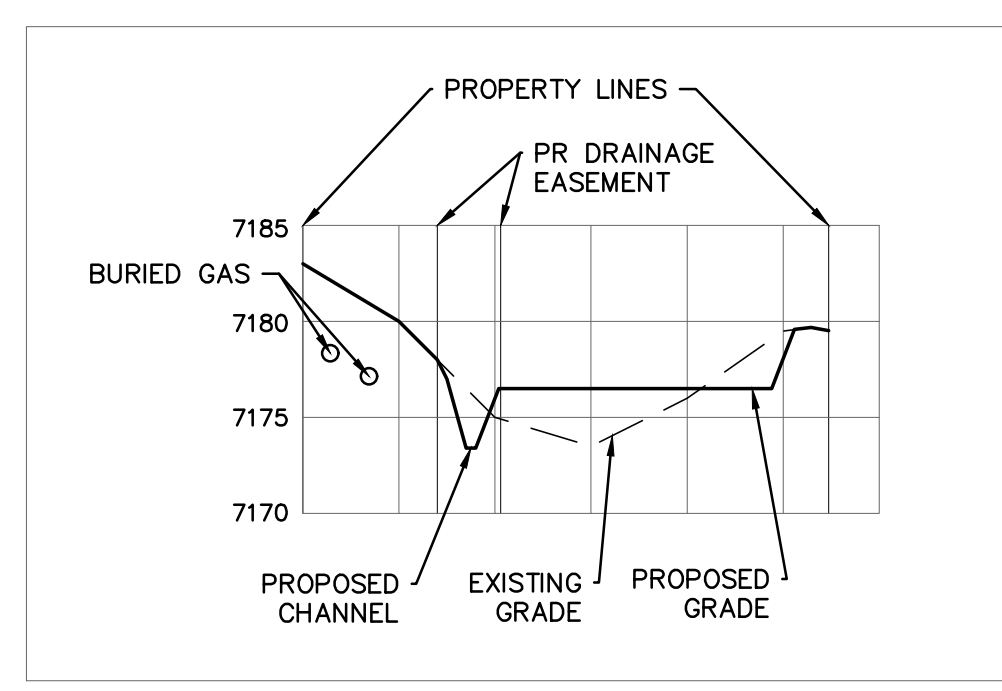
KEY	TITLE	SYMBOL
FINAL (SM)	PERMANENT SEEDING AND MULCHING (FINAL)	[Symbol]
INTERIM (SSA)	STABILIZED STAGING AREA (INTERIM)	[Symbol]
INTERIM (VTC)	VEHICLE TRACKING CONTROL (INTERIM)	[Symbol]
INTERIM (SP)	STOCKPILE PROTECTION (INTERIM)	[Symbol]
INITIAL & INTERIM (SCL)	SEDIMENT CONTROL LOG (INITIAL & INTERIM)	[Symbol]
INITIAL & INTERIM (CD)	CHECK DAM (INITIAL & INTERIM)	[Symbol]
INITIAL & INTERIM (IP)	INLET PROTECTION (INITIAL & INTERIM)	[Symbol]



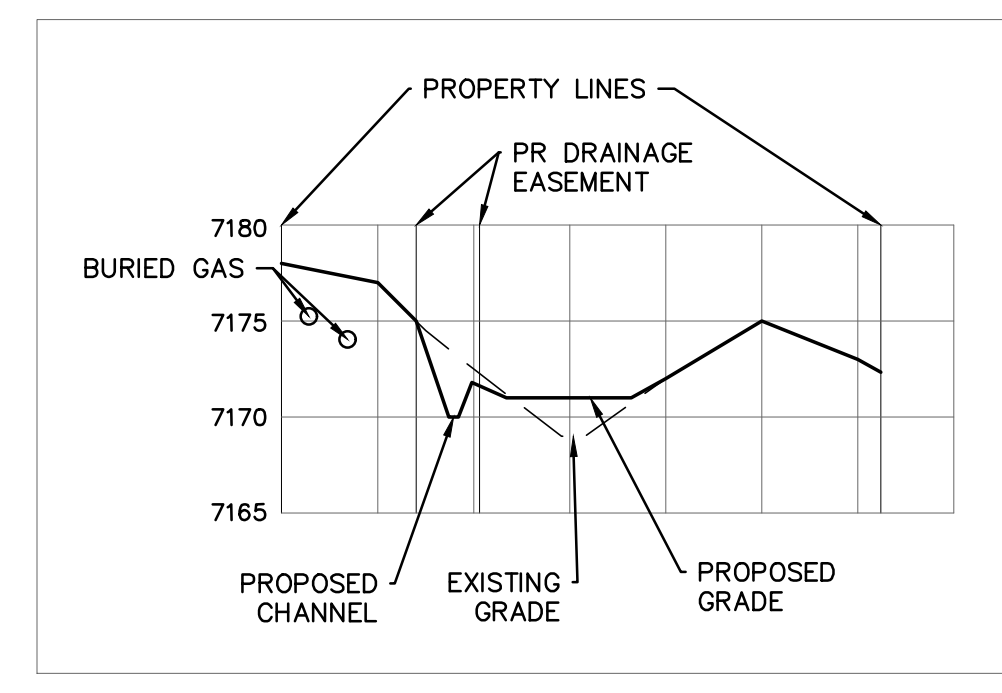
GRASS SWALE X-SECTION (1)
SCALE: NTS
Q (100-YEAR) = 29.8 CFS
SLOPE = 2.0%
n VALUE = 0.030
DEPTH = 0.80'
VELOCITY = 4.8 FT/S



GRASS SWALE X-SECTION (2)
SCALE: NTS
Q (100-YEAR) = 29.8 CFS
SLOPE = 2.0%
n VALUE = 0.030
DEPTH = 0.80'
VELOCITY = 4.8 FT/S



ENTIRE LOT CROSS SECTION A-A

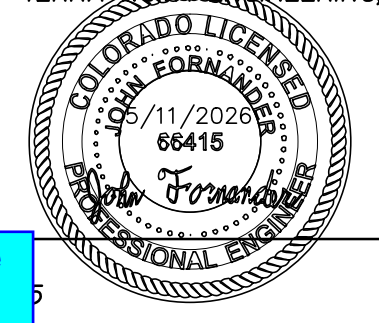


ENTIRE LOT CROSS SECTION B-B

GENERAL NOTES

1. CONTRACTOR TO MARK UP PLAN SHOWING ACTUAL FIELD INSTALLATION OF EROSION CONTROL BMPs.
2. BROADCAST SEEDING SHALL BE PLACED OVER DISTURBED AREAS ONCE THE CONSTRUCTION IS DONE.
3. TOTAL LIMITS OF DISTURBANCE ESTIMATED TO BE APPROXIMATELY 1.73 AC.
4. WHEN WORK HAS BEEN COMPLETED, CONTRACTOR SHALL RETURN ANY DISTURBED AREAS TO THEIR ORIGINAL GRADES ON AREAS THAT ARE NOT RE-GRADED PER THESE PLANS. USE SURFACE ROUGHENING OR TRACK WHEELING ON SLOPES AND SWALE WITHIN DRAINAGE EAS.
5. MAX ALLOWABLE EXCAVATED/STOCKPILED SLOPE IS 3:1.
6. VEGETATIVE COVER IS APPROXIMATELY 70% CONSISTING OF NATIVE PLANTS.
7. GEOTECH REPORT SHALL BE DONE PRIOR TO OBTAINING BUILDING PERMIT. GEOTECH RECOMMENDATIONS MUST BE FOLLOWED.

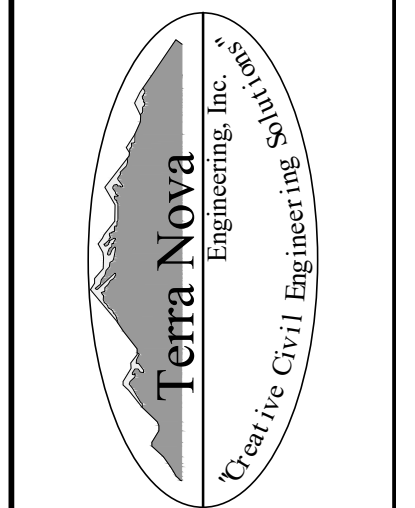
THIS DESIGN WAS PREPARED UNDER MY DIRECT SUPERVISION FOR AND ON BEHALF OF TERRA NOVA ENGINEERING, INC.



REVISIONS	NO.	DESCRIPTION	DATE

UNTIL SUCH TIME AS THESE DRAWINGS ARE APPROVED BY THE APPROPRIATE REVIEWING AGENCIES, INCORPORATING THEIR USE ONLY FOR THEIR USE FOR PURPOSES DESIGNATED BY WRITTEN AUTHORIZATION.

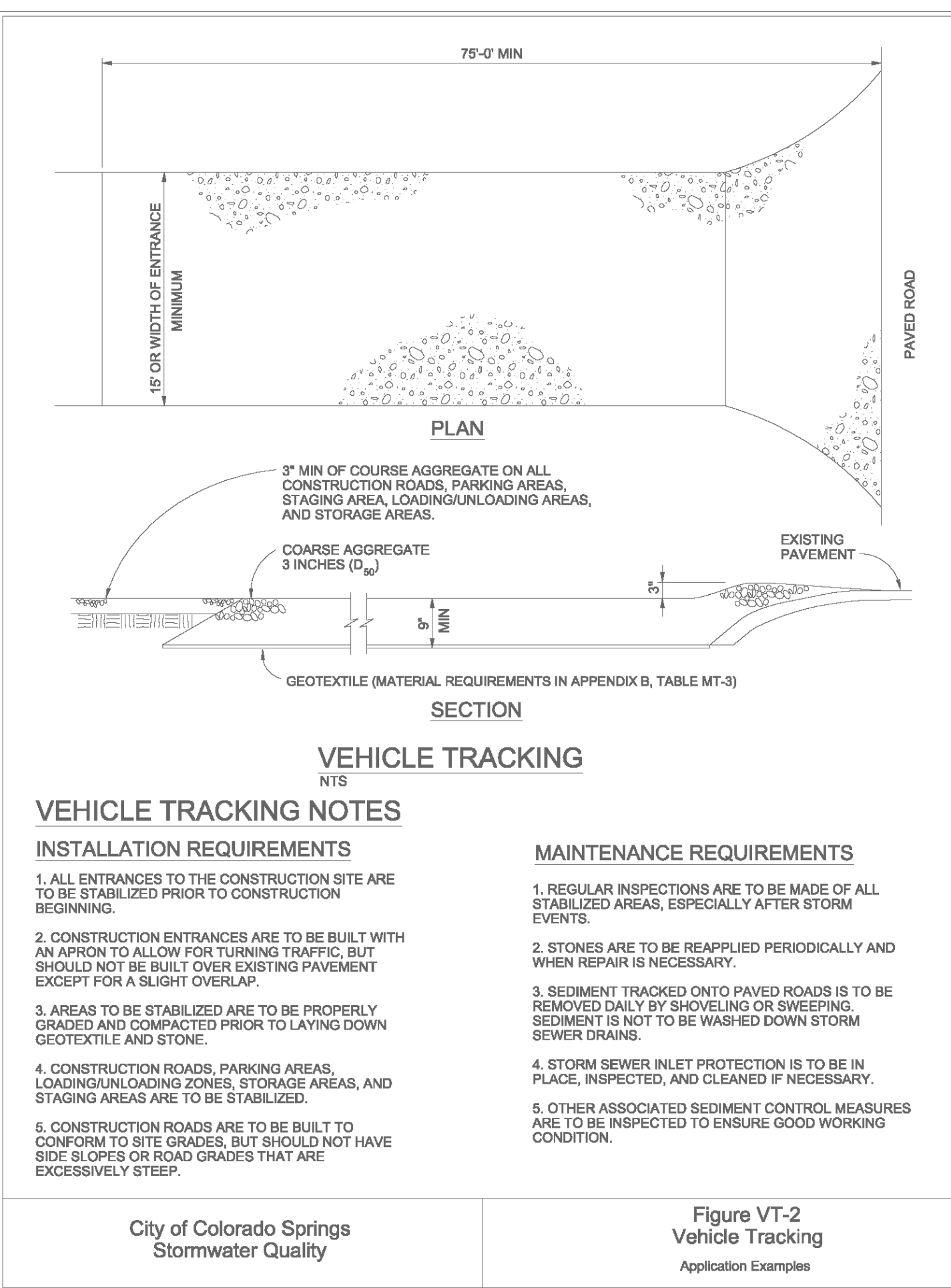
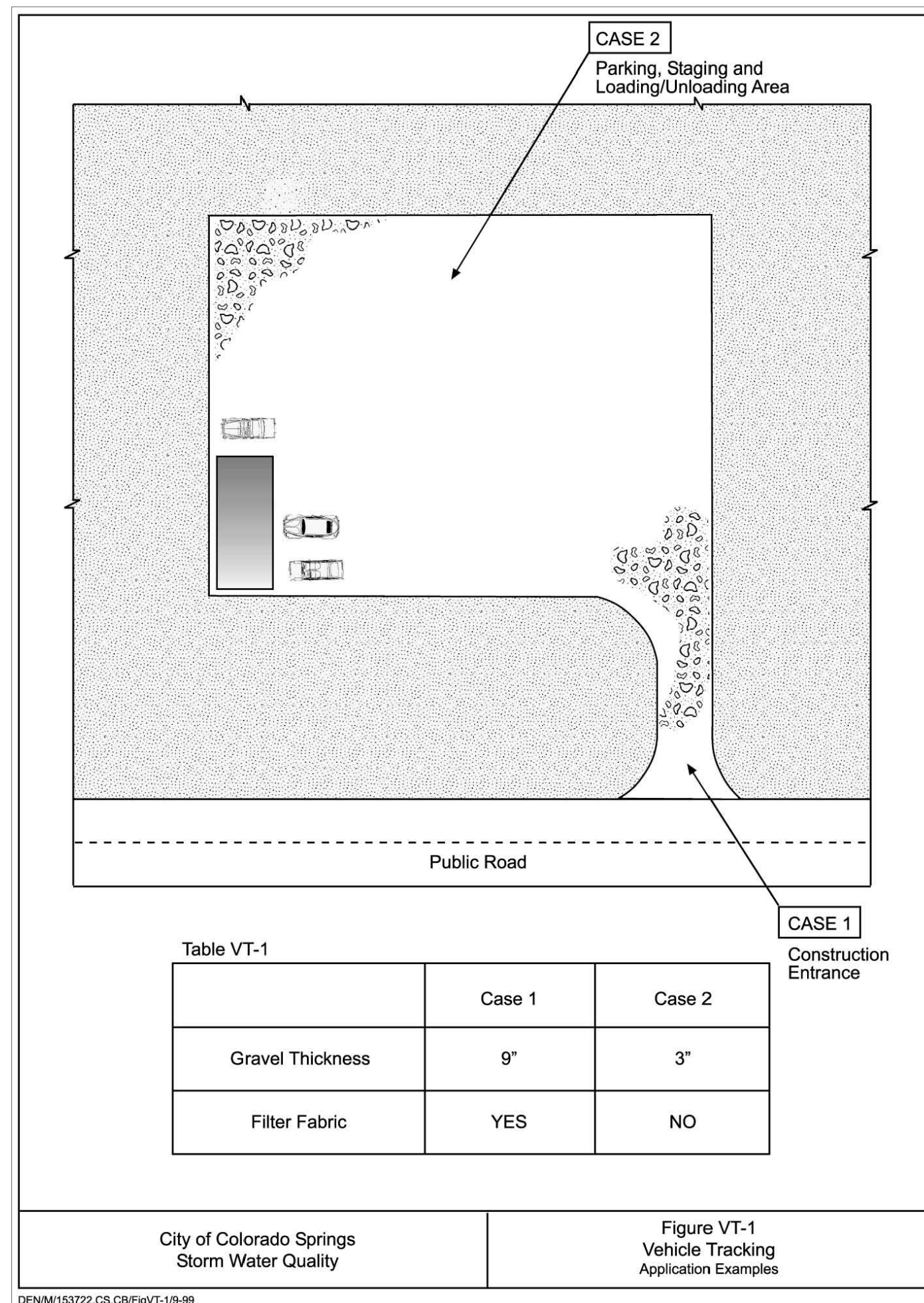
PREPARED FOR:
ASPEN VALLEY CUSTOM HOMES
ATTN: SCOTT STRATE
PO BOX 49
MONUMENT, CO 80132
(719) 314-9830



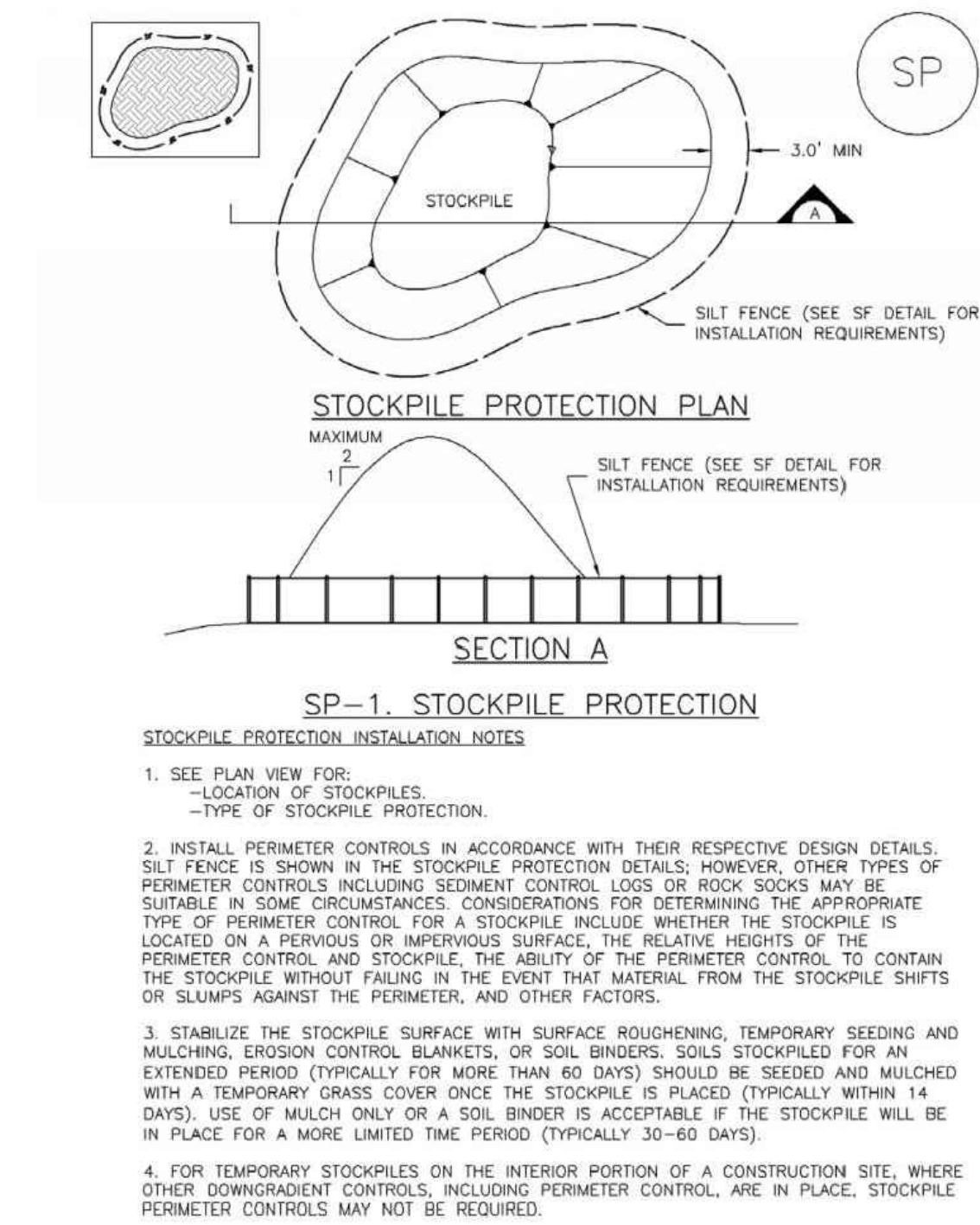
721 S. 23RD STREET
COLORADO SPRINGS, CO 80904
OFFICE: 719-635-6422
FAX: 719-635-6426
www.tneng.com

7886 RANNOCH MOOR WAY
GRADING, EROSION, & SEDIMENT CONTROL PLAN

DESIGNED BY	JF
DRAWN BY	JF
CHECKED BY	
H-SCALE	AS SHOWN
V-SCALE	NA
JOB NO.	2602.00
DATE ISSUED	5/11/26
SHEET NO.	2 OF 4



Stockpile Management (SP) MM-2



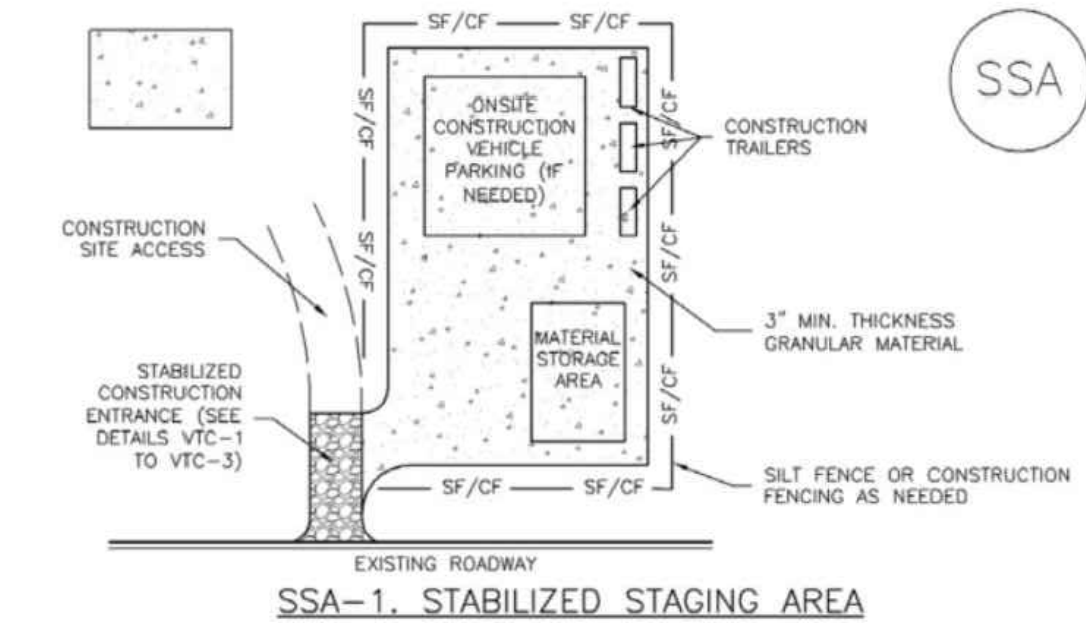
November 2010 Urban Drainage and Flood Control District Urban Storm Drainage Criteria Manual Volume 3 SP-3

Stockpile Management (SM) MM-2

- STOCKPILE PROTECTION MAINTENANCE NOTES
- INSPECT BMPs EACH WORKDAY, AND MAINTAIN THEM IN EFFECTIVE OPERATING CONDITION. MAINTENANCE OF BMPs SHOULD BE PROACTIVE, NOT REACTIVE. INSPECT BMPs AS SOON AS POSSIBLE (AND ALWAYS WITHIN 24 HOURS) FOLLOWING A STORM THAT CAUSES SURFACE EROSION, AND PERFORM NECESSARY MAINTENANCE.
 - FREQUENT OBSERVATIONS AND MAINTENANCE ARE NECESSARY TO MAINTAIN BMPs IN EFFECTIVE OPERATING CONDITION. INSPECTIONS AND CORRECTIVE MEASURES SHOULD BE DOCUMENTED THOROUGHLY.
 - WHERE BMPs HAVE FAILED, REPAIR OR REPLACEMENT SHOULD BE INITIATED UPON DISCOVERY OF THE FAILURE.
 - IF PERIMETER PROTECTION MUST BE MOVED TO ACCESS SOIL STOCKPILE, REPLACE PERIMETER CONTROLS BY THE END OF THE WORKDAY.
 - STOCKPILE PERIMETER CONTROLS CAN BE REMOVED ONCE ALL THE MATERIAL FROM THE STOCKPILE HAS BEEN USED.
- (DETAILS ADAPTED FROM PARKER, COLORADO, NOT AVAILABLE IN AUTOCAD)
- NOTE: MANY JURISDICTIONS HAVE BMP DETAILS THAT VARY FROM UDFCD STANDARD DETAILS. CONSULT WITH LOCAL JURISDICTIONS AS TO WHICH DETAIL SHOULD BE USED WHEN DIFFERENCES ARE NOTED.

SP-4 Urban Drainage and Flood Control District Urban Storm Drainage Criteria Manual Volume 3 November 2010

Stabilized Staging Area (SSA) SM-6



November 2010 Urban Drainage and Flood Control District Urban Storm Drainage Criteria Manual Volume 3 SSA-3

Revegetation Chapter 14

Table 14-10. Recommended Seed Mix for Transition Areas¹

Common Name (Variety)	Scientific Name	Growth Season	Growth Form	Seeds/Lb	Lbs PLS/Acre Drilled	Lbs PLS/Acre Broadcast or Hydroseeded
Sheep fescue (Duras)	<i>Festuca ovina</i>	Cool	Bunch	680,000	1.3	2.6
Western wheatgrass (Arriba)	<i>Pascopyrum smithii</i>	Cool	Sod	110,000	7.9	15.8
Alkali sacaton	<i>Sporobolus airoides</i>	Warm	Bunch	1,758,000	0.5	1.0
Slender wheatgrass	<i>Elymus trichycaulus</i>	Cool	Bunch	159,000	5.5	11.0
Canadian bluegrass (Ruebens)	<i>Poa compressa</i>	Cool	Sod	2,500,000	0.3	0.6
Switchgrass (Pathfinder)	<i>Panicum virgatum</i>	Warm	Sod/Bunch	389,000	1.3	2.6
Annual rye	<i>Lolium multiflorum</i>	Cool	Cover crop	227,000	10.0	20.0
				TOTAL	26.8	53.6
Wildflowers						
Blanket flower	<i>Faillardia aristata</i>	---	---	132,000	0.25	0.50
Prairie coneflower	<i>Ratibida columnaris</i>	---	---	1,230,000	0.20	0.40
Purple prairie clover	<i>Petalostemum purpurea</i>	---	---	210,000	0.20	0.40
Gayfeather	<i>Liatris punctata</i>	---	---	138,000	0.06	0.12
Flax	<i>Linum lewisii</i>	---	---	293,000	0.20	0.40
Penstemon	<i>Penstemon strictus</i>	---	---	592,000	0.20	0.40
Yarrow	<i>Achillea millefolium</i>	---	---	2,770,000	0.03	0.06
				TOTAL	1.14	2.28

¹For side slopes or between wet and dry areas.
²Substitute 1.7 lbs PLS/acre of inland saltgrass (*Distichlis spicata*) in salty soils.

14-22 City of Colorado Springs Drainage Criteria Manual, Volume 1 May 2014

Stabilized Staging Area (SSA) SM-6

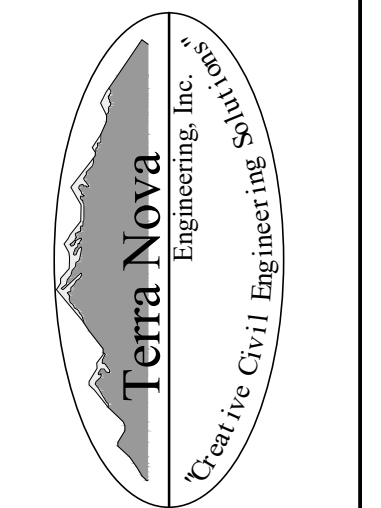
- STABILIZED STAGING AREA MAINTENANCE NOTES
- INSPECT BMPs EACH WORKDAY, AND MAINTAIN THEM IN EFFECTIVE OPERATING CONDITION. MAINTENANCE OF BMPs SHOULD BE PROACTIVE, NOT REACTIVE. INSPECT BMPs AS SOON AS POSSIBLE (AND ALWAYS WITHIN 24 HOURS) FOLLOWING A STORM THAT CAUSES SURFACE EROSION, AND PERFORM NECESSARY MAINTENANCE.
 - FREQUENT OBSERVATIONS AND MAINTENANCE ARE NECESSARY TO MAINTAIN BMPs IN EFFECTIVE OPERATING CONDITION. INSPECTIONS AND CORRECTIVE MEASURES SHOULD BE DOCUMENTED THOROUGHLY.
 - WHERE BMPs HAVE FAILED, REPAIR OR REPLACEMENT SHOULD BE INITIATED UPON DISCOVERY OF THE FAILURE.
 - ROCK SHALL BE REAPPLIED OR REGRADED AS NECESSARY IF RUTTING OCCURS OR UNDERLYING SUBGRADE BECOMES EXPOSED.
 - STABILIZED STAGING AREA SHALL BE ENLARGED IF NECESSARY TO CONTAIN PARKING, STORAGE, AND UNLOADING/LOADING OPERATIONS.
 - THE STABILIZED STAGING AREA SHALL BE REMOVED AT THE END OF CONSTRUCTION THE GRANULAR MATERIAL SHALL BE REMOVED OR, IF APPROVED BY THE LOCAL JURISDICTION, USED ON SITE, AND THE AREA COVERED WITH TOPSOIL, SEEDING AND MULCHED OR OTHERWISE STABILIZED IN A MANNER APPROVED BY LOCAL JURISDICTION.
- NOTE: MANY MUNICIPALITIES PROHIBIT THE USE OF RECYCLED CONCRETE AS GRANULAR MATERIAL FOR STABILIZED STAGING AREAS DUE TO DIFFICULTIES WITH RE-ESTABLISHMENT OF VEGETATION IN AREAS WHERE RECYCLED CONCRETE WAS PLACED.
- NOTE: MANY JURISDICTIONS HAVE BMP DETAILS THAT VARY FROM UDFCD STANDARD DETAILS. CONSULT WITH LOCAL JURISDICTIONS AS TO WHICH DETAIL SHOULD BE USED WHEN DIFFERENCES ARE NOTED.
- (DETAILS ADAPTED FROM DOUGLAS COUNTY, COLORADO, NOT AVAILABLE IN AUTOCAD)

SSA-4 Urban Drainage and Flood Control District Urban Storm Drainage Criteria Manual Volume 3 November 2010

REVISIONS	DESCRIPTION	DATE
NO.		

UNTIL SUCH TIME AS THESE DRAWINGS ARE APPROVED BY THE APPLICABLE REVIEWING AGENCIES, REVIEWING AGENCIES INCORPORATING THEIR USE FOR THE PROJECT IS ONLY FOR THE PURPOSES DESIGNATED BY WRITTEN AUTHORIZATION.

PREPARED FOR:
 ASPEN VALLEY CUSTOM HOMES
 ATTN: SCOTT STRATE
 PO BOX 49
 MONUMENT, CO 80132
 (719) 314-9830



721 S. 29RD STREET
 COLORADO SPRINGS, CO 80904
 OFFICE: 719-635-6422
 FAX: 719-635-6426
 www.tneng.com

7886 RANNOCH MOOR WAY
 DETAIL SHEET

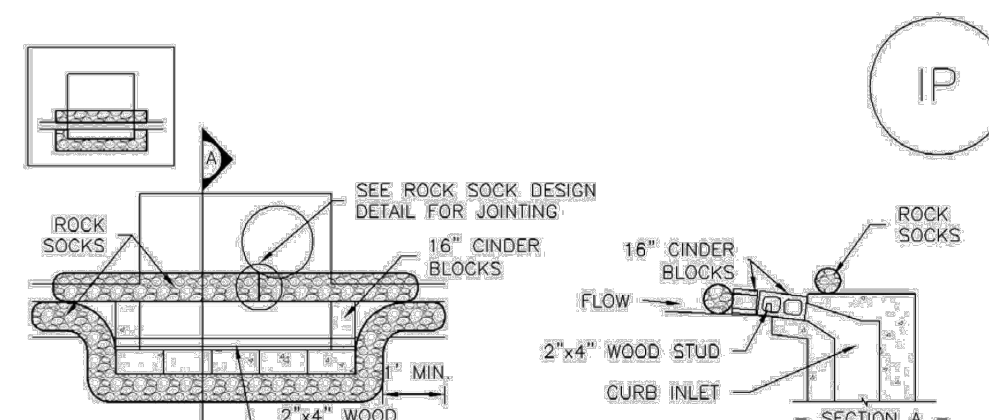
DESIGNED BY	JF
DRAWN BY	JF
CHECKED BY	
H-SCALE	AS SHOWN
V-SCALE	NA
JOB NO.	2602.00
DATE ISSUED	5/11/26
SHEET NO.	3 OF 4

Standard Notes for El Paso County Construction Plans

- All drainage and roadway construction shall meet the standards and specifications of the City of Colorado Springs/El Paso County Drainage Criteria Manual, Volumes 1 and 2, and the El Paso County Engineering Criteria Manual.
- Contractor shall be responsible for the notification and field notification of all existing utilities, whether shown on the plans or not, before beginning construction. Location of existing utilities shall be verified by the contractor prior to construction. Call 811 to contact the Utility Notification Center of Colorado (UNCC).
- Contractor shall keep a copy of these approved plans, the Grading and Erosion Control Plan, the Stormwater Management Plan (SWMP), the soils and geotechnical report, and the appropriate design and construction standards and specifications at the job site at all times, including the following:
 - El Paso County Engineering Criteria Manual (ECM)
 - City of Colorado Springs/El Paso County Drainage Criteria Manual, Volumes 1 and 2
 - Colorado Department of Transportation (CDOT) Standard Specifications for Road and Bridge Construction
 - CDOT M & S Standards
- Notwithstanding anything depicted in these plans in words or graphic representation, all design and construction related to roads, storm drainage and erosion control shall conform to the standards and requirements of the most recent version of the relevant adopted El Paso County standards, including the Land Development Code, the Engineering Criteria Manual, the Drainage Criteria Manual, and the Drainage Criteria Manual Volume 2. Any deviations from regulations and standards must be requested, and approved, in writing. Any modifications necessary to meet criteria after-the-fact will be entirely the developer's responsibility to rectify.
- It is the design engineer's responsibility to accurately show existing conditions, both onsite and offsite, on the construction plans. Any modifications necessary due to conflicts, omissions, or changed conditions will be entirely the developer's responsibility to rectify.
- Contractor shall schedule a pre-construction meeting with El Paso County Planning and Community Development (PCD) – Inspections, prior to starting construction.
- It is the contractor's responsibility to understand the requirements of all jurisdictional agencies and to obtain all required permits, including but not limited to El Paso County Erosion and Stormwater Quality Control Permit (ESQCP), Regional Building Floodplain Development Permit, U.S. Army Corps of Engineers-issued 401 and/or 404 permits, and county and state fugitive dust permits.
- Contractor shall not deviate from the plans without first obtaining written approval from the design engineer and PCD. Contractor shall notify the design engineer immediately upon discovery of any errors or inconsistencies.
- All storm drain pipe shall be Class III RCP unless otherwise noted and approved by PCD.

- Contractor shall coordinate geotechnical testing per ECM standards. Pavement design shall be approved by El Paso County PCD prior to placement of curb and gutter and pavement.
- All construction traffic must enter/exit the site at approved construction access points.
- Sight visibility triangles as identified in the plans shall be provided at all intersections. Obstructions greater than 18 inches above flowline are not allowed within sight triangles.
- Signing and striping shall comply with El Paso County DOT and MUTCD criteria. [If applicable, additional signing and striping notes will be provided.]
- Contractor shall obtain any permits required by El Paso County DOT, including Work Within the Right-of-Way and Special Transport permits.
- The limits of construction shall remain within the property line unless otherwise noted. The owner/developer shall obtain written permission and easements, where required, from adjoining property owner(s) prior to any off-site disturbance, grading, or construction.
- El Paso County does not own and is not responsible for the underdrains or groundwater discharge systems shown on these plans and assumes no liability for water rights administration by approving these plans. Maintenance and water rights are the responsibility of the developer and ____ [xx metropolitan district, or yy property owner's association] ____.

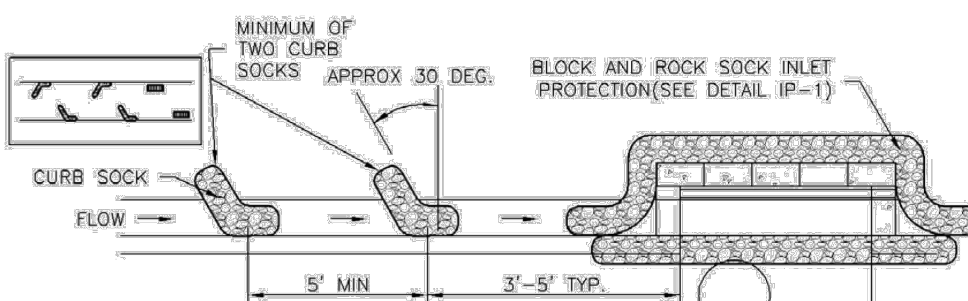
SC-6 Inlet Protection (IP)



IP-1. BLOCK AND ROCK SOCK SUMP OR ON GRADE INLET PROTECTION

BLOCK AND CURB SOCK INLET PROTECTION INSTALLATION NOTES

- SEE ROCK SOCK DESIGN DETAIL FOR INSTALLATION REQUIREMENTS.
- CONCRETE "CINDER" BLOCKS SHALL BE LAID ON THEIR SIDES AROUND THE INLET IN A SINGLE ROW, ABUTTING ONE ANOTHER WITH THE OPEN END FACING AWAY FROM THE CURB.
- GRAVEL BAGS SHALL BE PLACED AROUND CONCRETE BLOCKS, CLOSELY ABUTTING ONE ANOTHER AND JOINED TOGETHER IN ACCORDANCE WITH ROCK SOCK DESIGN DETAIL.



IP-2. CURB ROCK SOCKS UPSTREAM OF INLET PROTECTION

CURB ROCK SOCK INLET PROTECTION INSTALLATION NOTES

- SEE ROCK SOCK DESIGN DETAIL INSTALLATION REQUIREMENTS.
- PLACEMENT OF THE SOCK SHALL BE APPROXIMATELY 30 DEGREES FROM PERPENDICULAR IN THE OPPOSITE DIRECTION OF FLOW.
- SOCKS ARE TO BE FLUSH WITH THE CURB AND SPACED A MINIMUM OF 5 FEET APART.
- AT LEAST TWO CURB SOCKS IN SERIES ARE REQUIRED UPSTREAM OF ON-GRADE INLETS.

SC-6 Inlet Protection (IP)

GENERAL INLET PROTECTION INSTALLATION NOTES

- SEE PLAN VIEW FOR:
 - LOCATION OF INLET PROTECTION.
 - TYPE OF INLET PROTECTION (IP.1, IP.2, IP.3, IP.4, IP.5, IP.6)
- INLET PROTECTION SHALL BE INSTALLED PROMPTLY AFTER INLET CONSTRUCTION OR PAVING IS COMPLETE (TYPICALLY WITHIN 48 HOURS). IF A RAINFALL/RUNOFF EVENT IS FORECAST, INSTALL INLET PROTECTION PRIOR TO ONSET OF EVENT.
- MANY JURISDICTIONS HAVE BMP DETAILS THAT VARY FROM UDFCD STANDARD DETAILS. CONSULT WITH LOCAL JURISDICTIONS AS TO WHICH DETAIL SHOULD BE USED WHEN DIFFERENCES ARE NOTED.

INLET PROTECTION MAINTENANCE NOTES

- INSPECT BMPs EACH WORKDAY, AND MAINTAIN THEM IN EFFECTIVE OPERATING CONDITION. MAINTENANCE OF BMPs SHOULD BE PROACTIVE, NOT REACTIVE. INSPECT BMPs AS SOON AS POSSIBLE (AND ALWAYS WITHIN 24 HOURS) FOLLOWING A STORM THAT CAUSES SURFACE EROSION, AND PERFORM NECESSARY MAINTENANCE.
- FREQUENT OBSERVATIONS AND MAINTENANCE ARE NECESSARY TO MAINTAIN BMPs IN EFFECTIVE OPERATING CONDITION. INSPECTIONS AND CORRECTIVE MEASURES SHOULD BE DOCUMENTED THOROUGHLY.
- WHERE BMPs HAVE FAILED, REPAIR OR REPLACEMENT SHOULD BE INITIATED UPON DISCOVERY OF THE FAILURE.
- SEDIMENT ACCUMULATED UPSTREAM OF INLET PROTECTION SHALL BE REMOVED AS NECESSARY TO MAINTAIN BMP EFFECTIVENESS, TYPICALLY WHEN STORAGE VOLUME REACHES 50% OF CAPACITY, A DEPTH OF 6" WHEN SILT FENCE IS USED, OR 1/4 OF THE HEIGHT FOR STRAW BALES.
- INLET PROTECTION IS TO REMAIN IN PLACE UNTIL THE UPSTREAM DISTURBED AREA IS PERMANENTLY STABILIZED, UNLESS THE LOCAL JURISDICTION APPROVES EARLIER REMOVAL OF INLET PROTECTION IN STREETS.
- WHEN INLET PROTECTION AT AREA INLETS IS REMOVED, THE DISTURBED AREA SHALL BE COVERED WITH TOP SOIL, SEEDED AND MULCHED, OR OTHERWISE STABILIZED IN A MANNER APPROVED BY THE LOCAL JURISDICTION.

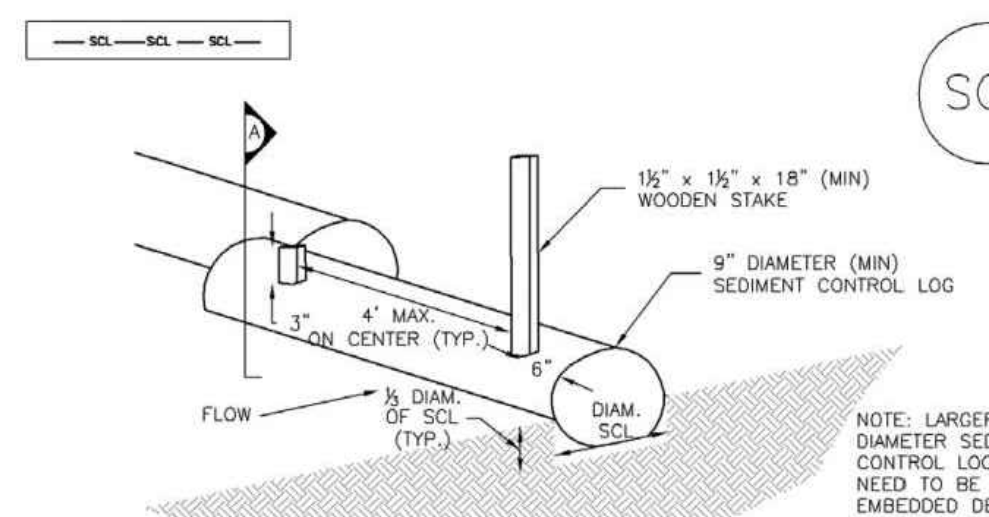
(DETAIL ADAPTED FROM TOWN OF PARKER, COLORADO AND CITY OF AURORA, COLORADO, NOT AVAILABLE IN AUTOCAD)

NOTE: MANY JURISDICTIONS HAVE BMP DETAILS THAT VARY FROM UDFCD STANDARD DETAILS. CONSULT WITH LOCAL JURISDICTIONS AS TO WHICH DETAIL SHOULD BE USED WHEN DIFFERENCES ARE NOTED.

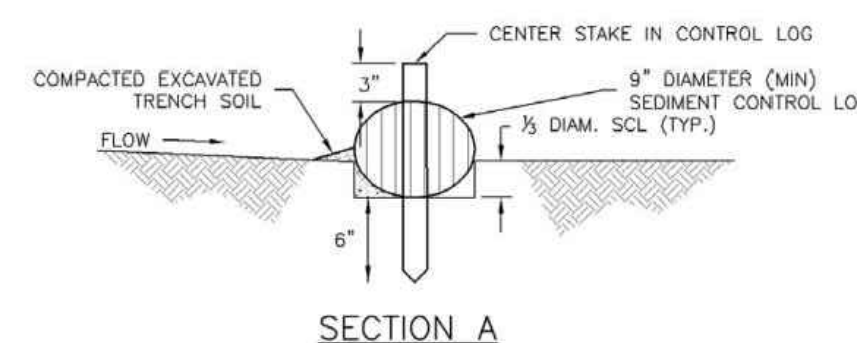
NOTE: THE DETAILS INCLUDED WITH THIS FACT SHEET SHOW COMMONLY USED, CONVENTIONAL METHODS OF INLET PROTECTION IN THE GREATER METROPOLITAN AREA. THERE ARE MANY PROPRIETARY INLET PROTECTION METHODS ON THE MARKET. UDFCD NEITHER ENDORSES NOR DISCOURAGES USE OF PROPRIETARY INLET PROTECTION. HOWEVER, IN THE EVENT PROPRIETARY METHODS ARE USED, THE APPROPRIATE DETAIL FROM THE MANUFACTURER MUST BE INCLUDED IN THE SWMP AND THE BMP MUST BE INSTALLED AND MAINTAINED AS SHOWN IN THE MANUFACTURER'S DETAILS.

NOTE: SOME MUNICIPALITIES DISCOURAGE OR PROHIBIT THE USE OF STRAW BALES FOR INLET PROTECTION. CHECK WITH LOCAL JURISDICTION TO DETERMINE IF STRAW BALE INLET PROTECTION IS ACCEPTABLE.

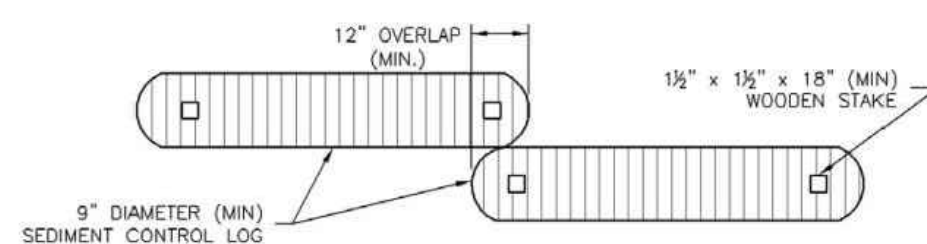
SC-2 Sediment Control Log (SCL) SC-2



SEDIMENT CONTROL LOG



SECTION A



SEDIMENT CONTROL LOG JOINTS

SCL-1. SEDIMENT CONTROL LOG

SC-2 Sediment Control Log (SCL) SC-2

SEDIMENT CONTROL LOG INSTALLATION NOTES

- SEE PLAN VIEW FOR LOCATION AND LENGTH OF SEDIMENT CONTROL LOGS.
- SEDIMENT CONTROL LOGS THAT ACT AS A PERIMETER CONTROL SHALL BE INSTALLED PRIOR TO ANY UPGRADE/GRADING AND/OR DISTURBING ACTIVITIES.
- SEDIMENT CONTROL LOGS SHALL CONSIST OF STRAW, COMPOST, EXCELSDOR OR COCONUT FIBER, AND SHALL BE FREE OF ANY NOXIOUS WEED SEEDS OR DEFECTS INCLUDING RIPS, HOLES AND OBVIOUS WEAR.
- SEDIMENT CONTROL LOGS MAY BE USED AS SMALL CHECK DAMS IN DITCHES AND SWALES. HOWEVER, THEY SHOULD NOT BE USED IN PERENNIAL STREAMS OR HIGH VELOCITY DRAINAGE WAYS.
- IT IS RECOMMENDED THAT SEDIMENT CONTROL LOGS BE TRENCHED INTO THE GROUND TO A DEPTH OF APPROXIMATELY 1/2 OF THE DIAMETER OF THE LOG. IF TRENCHING TO THIS DEPTH IS NOT FEASIBLE AND/OR DESIRABLE (SHORT TERM INSTALLATION WITH DESIRE NOT TO DAMAGE LANDSCAPE) A LESSER TRENCHING DEPTH MAY BE ACCEPTABLE WITH MORE ROBUST STAKING.
- THE UPHILL SIDE OF THE SEDIMENT CONTROL LOG SHALL BE BACKFILLED WITH SOIL THAT IS FREE OF ROCKS AND DEBRIS. THE SOIL SHALL BE TIGHTLY COMPACTED INTO THE SHAPE OF A RIGHT TRIANGLE USING A SHOVEL OR WEIGHTED LAWN ROLLER.
- FOLLOW MANUFACTURERS' GUIDANCE FOR STAKING. IF MANUFACTURERS' INSTRUCTIONS DO NOT SPECIFY SPACING, STAKES SHALL BE PLACED ON 4' CENTERS AND EMBEDDED A MINIMUM OF 6" INTO THE GROUND. 3" OF THE STAKE SHALL PROTRUDE FROM THE TOP OF THE LOG. STAKES THAT ARE BROKEN PRIOR TO INSTALLATION SHALL BE REPLACED.

SEDIMENT CONTROL LOG MAINTENANCE NOTES

- INSPECT BMPs EACH WORKDAY, AND MAINTAIN THEM IN EFFECTIVE OPERATING CONDITION. MAINTENANCE OF BMPs SHOULD BE PROACTIVE, NOT REACTIVE. INSPECT BMPs AS SOON AS POSSIBLE (AND ALWAYS WITHIN 24 HOURS) FOLLOWING A STORM THAT CAUSES SURFACE EROSION, AND PERFORM NECESSARY MAINTENANCE.
- FREQUENT OBSERVATIONS AND MAINTENANCE ARE NECESSARY TO MAINTAIN BMPs IN EFFECTIVE OPERATING CONDITION. INSPECTIONS AND CORRECTIVE MEASURES SHOULD BE DOCUMENTED THOROUGHLY.
- WHERE BMPs HAVE FAILED, REPAIR OR REPLACEMENT SHOULD BE INITIATED UPON DISCOVERY OF THE FAILURE.
- SEDIMENT ACCUMULATED UPSTREAM OF SEDIMENT CONTROL LOG SHALL BE REMOVED AS NEEDED TO MAINTAIN FUNCTIONALITY OF THE BMP. TYPICALLY WHEN DEPTH OF ACCUMULATED SEDIMENTS IS APPROXIMATELY 1/2 OF THE HEIGHT OF THE SEDIMENT CONTROL LOG.
- SEDIMENT CONTROL LOG SHALL BE REMOVED AT THE END OF CONSTRUCTION. IF DISTURBED AREAS EXIST AFTER REMOVAL, THEY SHALL BE COVERED WITH TOP SOIL, SEEDED AND MULCHED OR OTHERWISE STABILIZED IN A MANNER APPROVED BY THE LOCAL JURISDICTION.

(DETAILS ADAPTED FROM TOWN OF PARKER, COLORADO, JEFFERSON COUNTY, COLORADO, DOUGLAS COUNTY, COLORADO, AND CITY OF AURORA, COLORADO, NOT AVAILABLE IN AUTOCAD)

NOTE: MANY JURISDICTIONS HAVE BMP DETAILS THAT VARY FROM UDFCD STANDARD DETAILS. CONSULT WITH LOCAL JURISDICTIONS AS TO WHICH DETAIL SHOULD BE USED WHEN DIFFERENCES ARE NOTED.

NO.	DESCRIPTION	DATE

UNTIL SUCH TIME AS THESE DRAWINGS ARE APPROVED BY THE APPLICABLE AGENCIES, CONTRACTOR SHALL NOT USE THEM FOR ANY OTHER PURPOSES DESIGNATED BY WRITTEN AUTHORIZATION.

PREPARED FOR:
ASPEN VALLEY CUSTOM HOMES
 ATTN: SCOTT STRATE
 PO BOX 49
 MONUMENT, CO 80132
 (719) 314-9830

Terra Nova
 Engineering, Inc.
 721 S. 29RD STREET
 COLORADO SPRINGS, CO 80904
 OFFICE: 719-635-6422
 FAX: 719-635-6426
 www.terrano.com

7886 RANNOCH MOOR WAY
 GRADING, EROSION, & SEDIMENT CONTROL PLAN
 STANDARD CONSTRUCTION NOTES & EROSION CONTROL DETAILS

DESIGNED BY	JF
DRAWN BY	JF
CHECKED BY	
H-SCALE	AS SHOWN
V-SCALE	NA
JOB NO.	2602.00
DATE ISSUED	5/11/26
SHEET NO.	4 OF 4