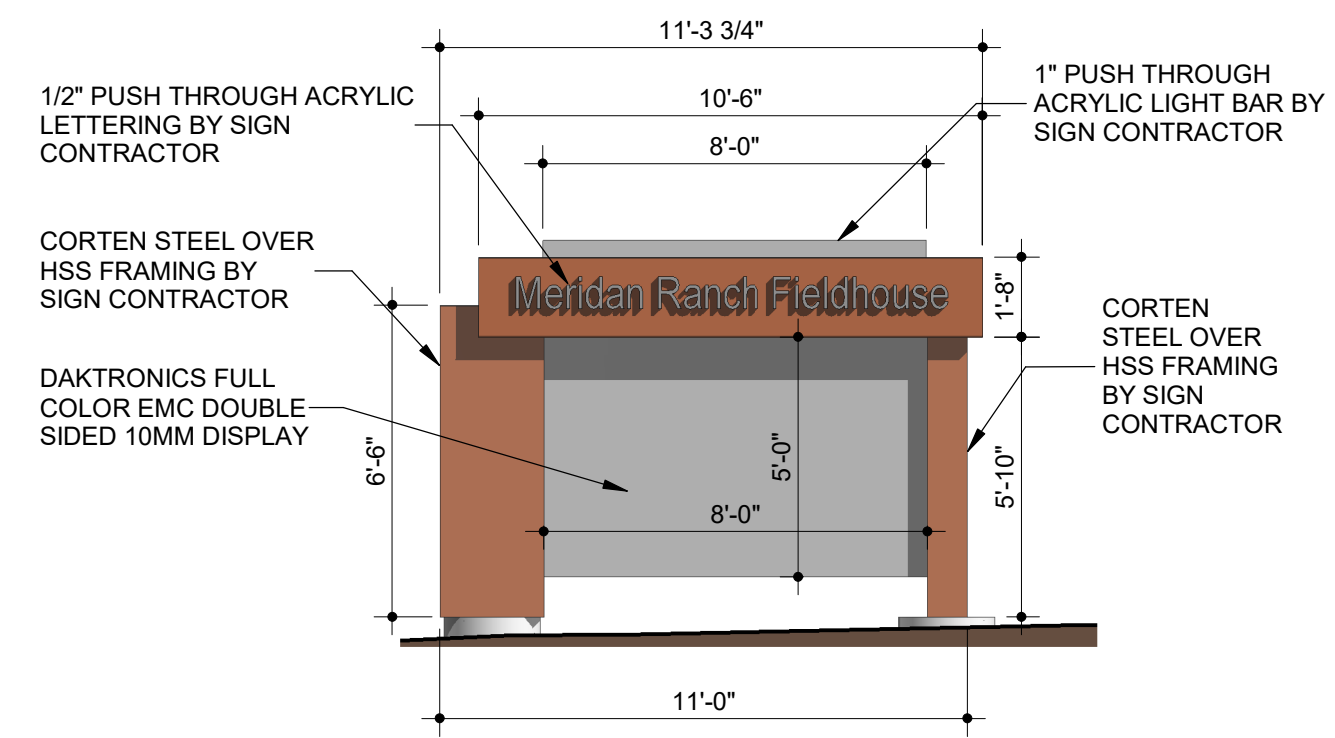
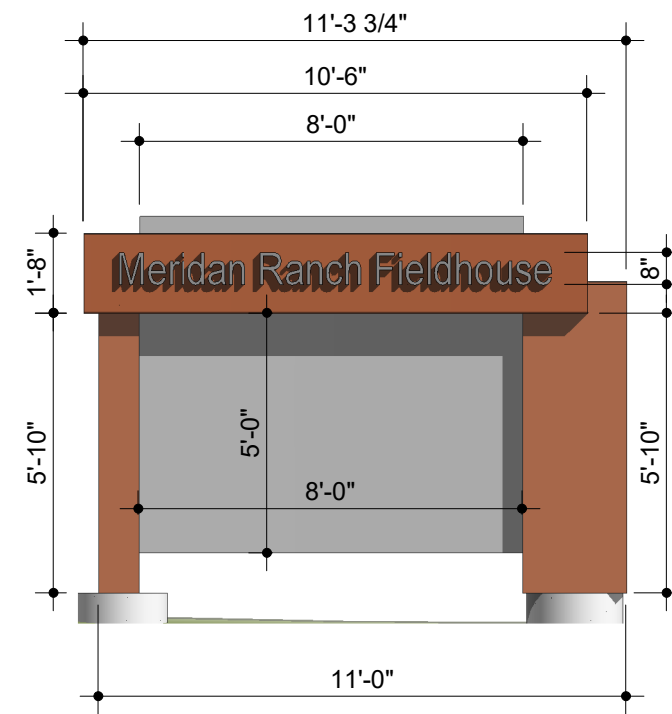
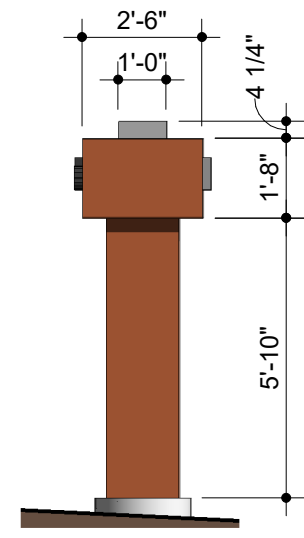


If illuminated, please include location, height, and intensity of all outdoor illumination for the sign and a detailed description of the illuminating devices and how the proposed illumination will be in compliance with the lighting standards.

Please indicate sight triangles on site development plan to ensure signs do not fall within these boundaries.



5 Monument Sign East Elevation

Scale: 1/4" = 1'-0"

6 Monument Sign West Elevation

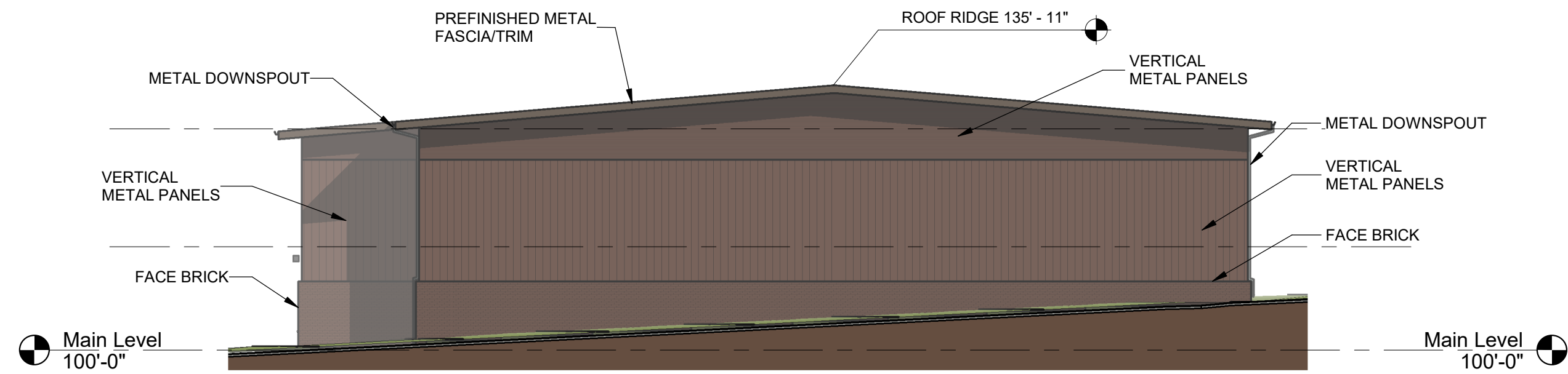
Scale: 1/4" = 1'-0"

7 Monument Sign South Elevation

Scale: 1/4" = 1'-0"

8 Monument Sign North Elevation

Scale: 1/4" = 1'-0"

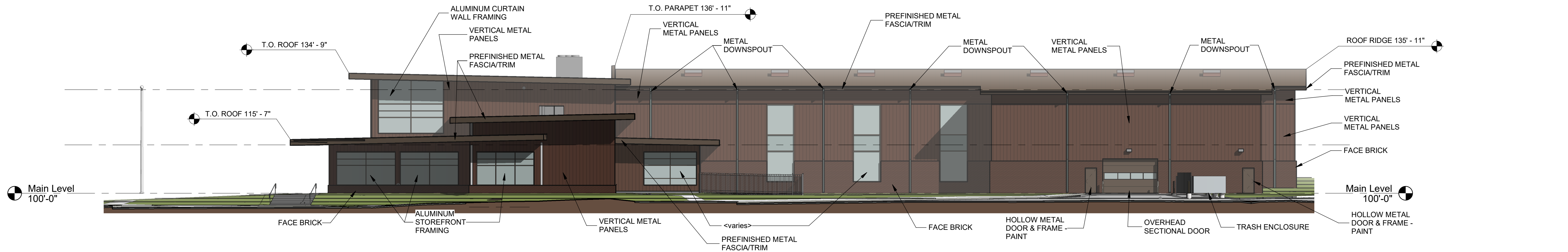
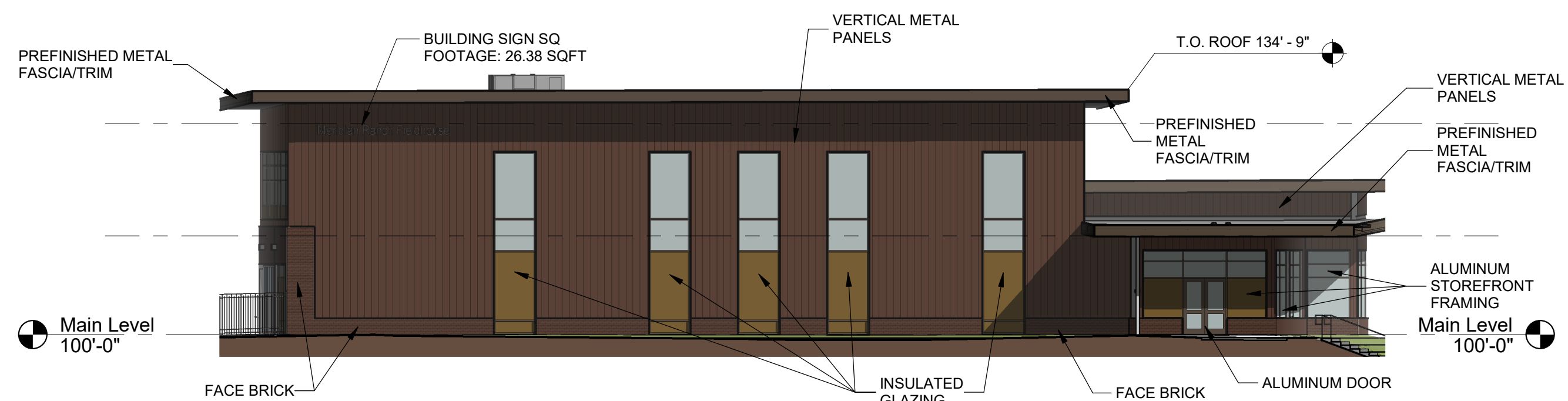


3 DP North Elevation

Scale: 1/16" = 1'-0"

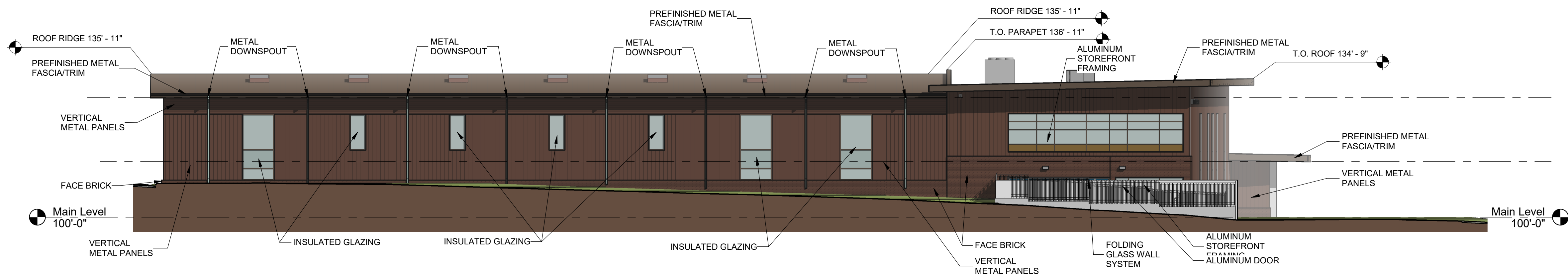
4 DP South Elevation

Scale: 1/16" = 1'-0"



2 DP East Elevation

Scale: 1/16" = 1'-0"

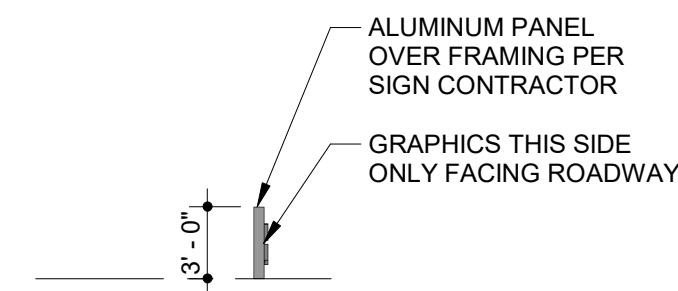


1 DP West Elevation

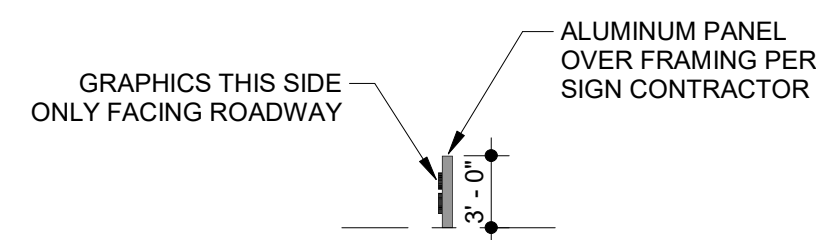
Scale: 1/16" = 1'-0"

Meridian Service Metropolitan District Offices

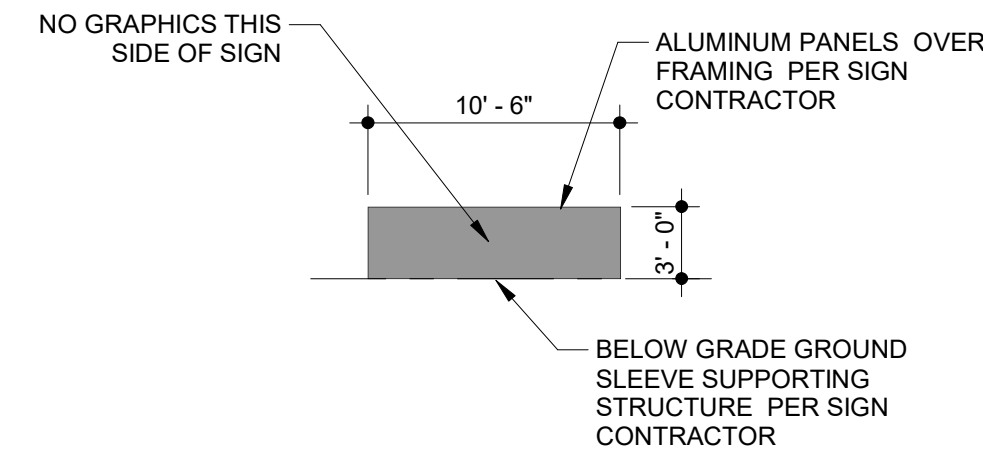
Meridian Service Metro District
 Rainbow Bridge Dr
 Peyton, CO 80831



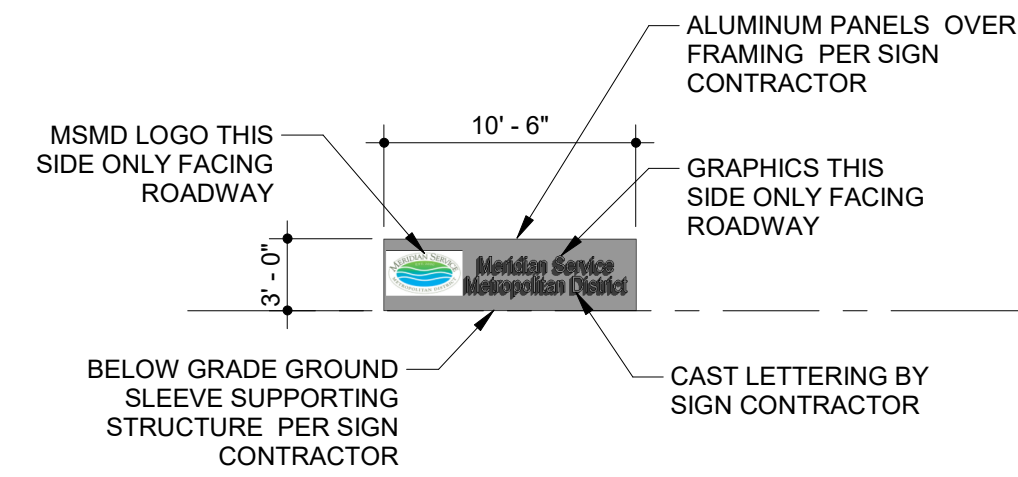
5 DP Sign West Elevation
 Scale: 1/8" = 1'-0"



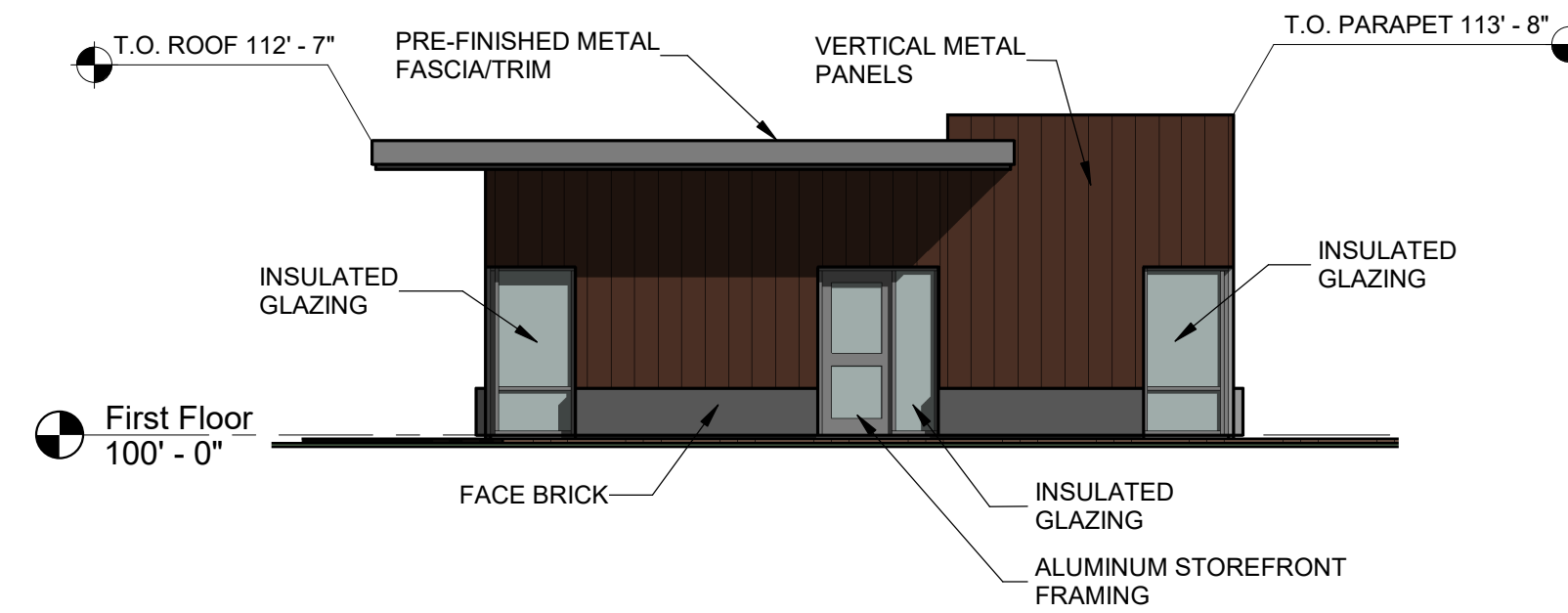
6 DP Sign East Elevation
 Scale: 1/8" = 1'-0"



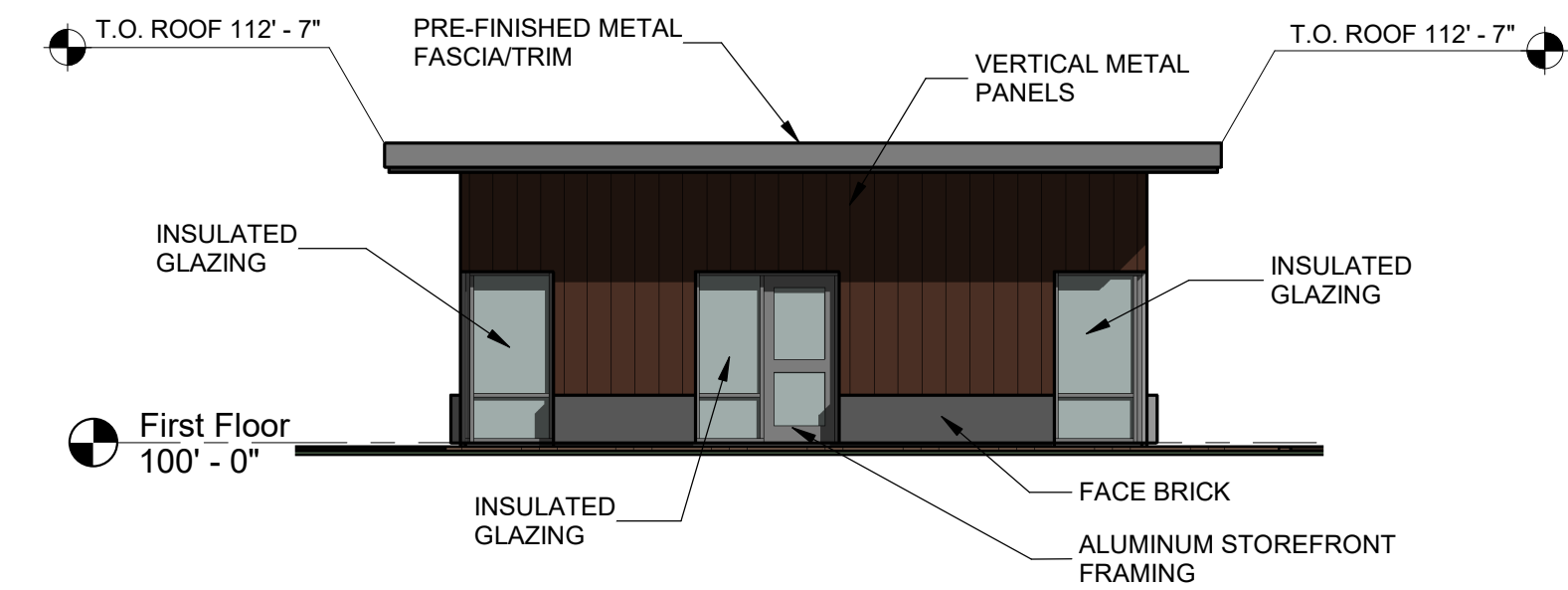
7 DP Sign North Elevation
 Scale: 1/8" = 1'-0"



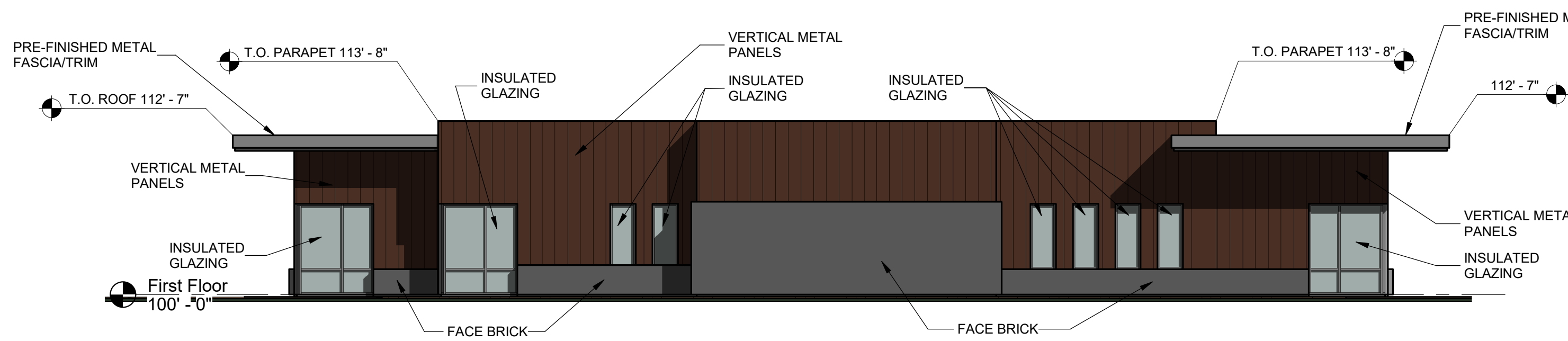
8 DP Sign South Elevation
 Scale: 1/8" = 1'-0"



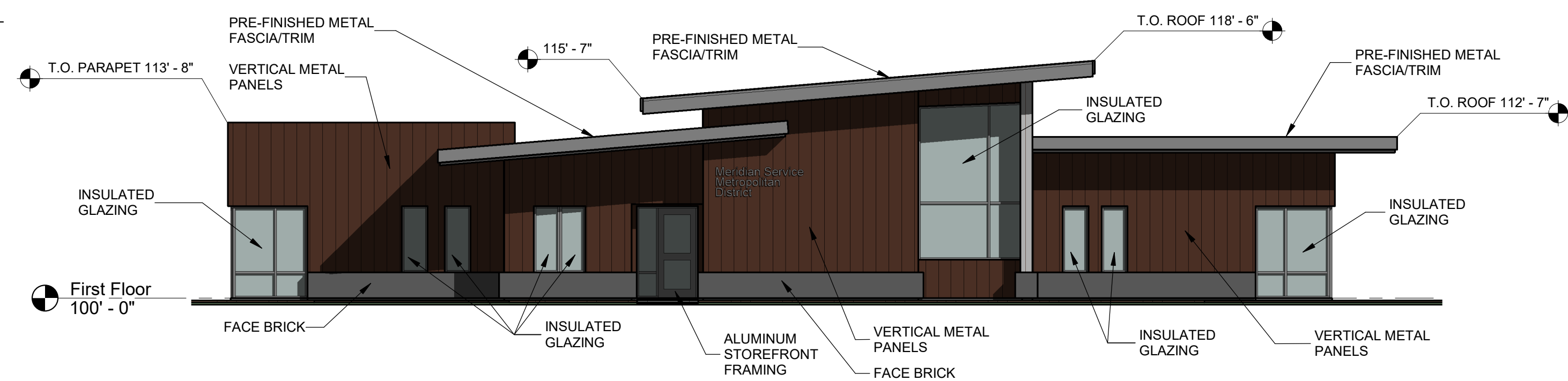
3 DP West Elevation
 Scale: 1/8" = 1'-0"



4 DP East Elevation
 Scale: 1/8" = 1'-0"



2 DP North Elevation
 Scale: 1/8" = 1'-0"



1 DP South Elevation
 Scale: 1/8" = 1'-0"

El Paso County Major Commercial Site Development Plan

Drawn: TAH
 Checked: DKO
 Issued: 20 February 2024
 Revised:

Exterior Elevations

DP3.2

Project No. 23-014
 The LKA Partners Incorporated