

FOUNDER / LANDSCAPE ARCHITECT

IN ASSOCIATION WITH

FOREST LAKES
MONUMENT SIGN

PROJECT INFO

DATE: April 4, 2017
PROJECT MGR: T. Seibert
PREPARED BY: B. Jackson

SCALE

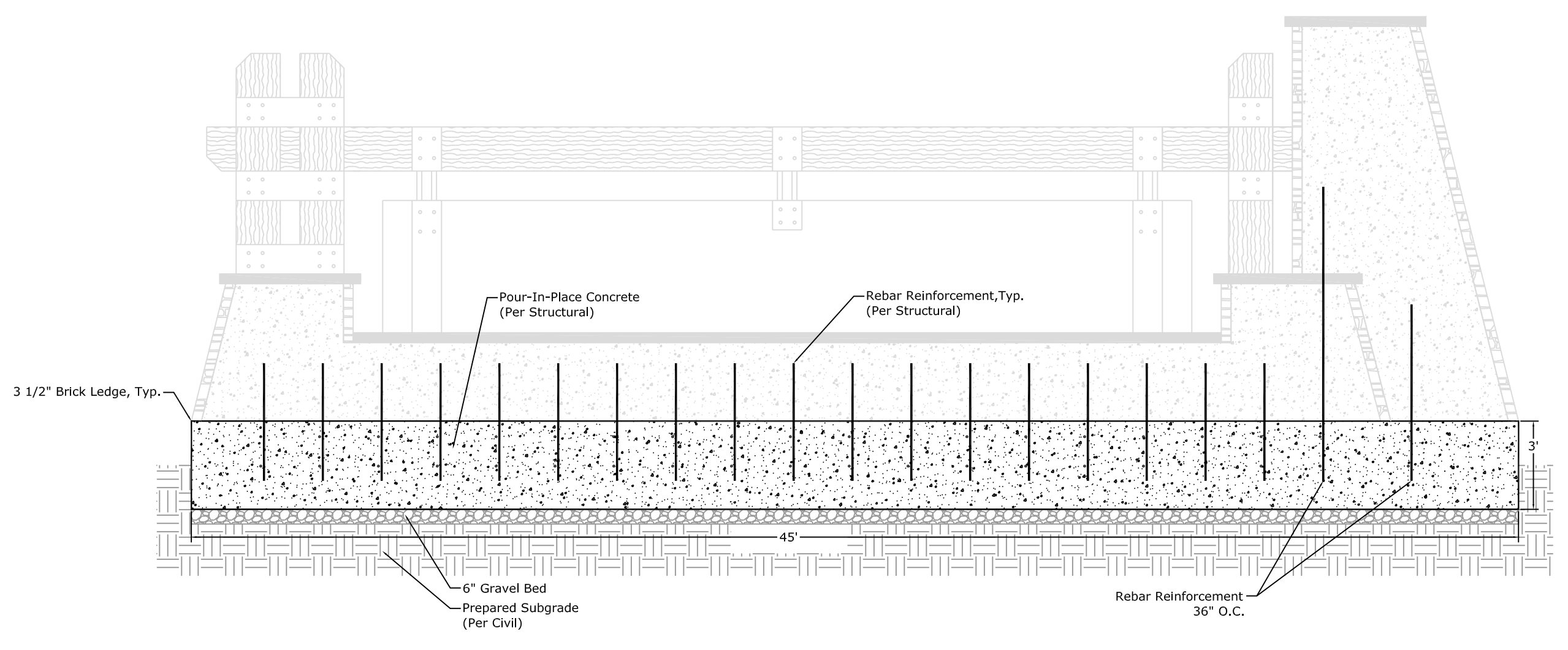
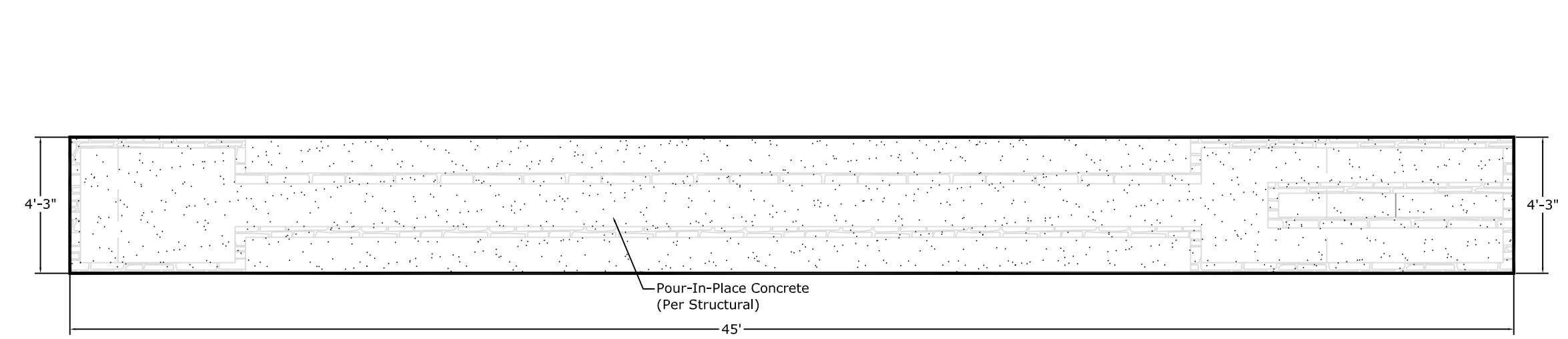
REVISIONS

DATE:	BY:	DESCRIPTION:

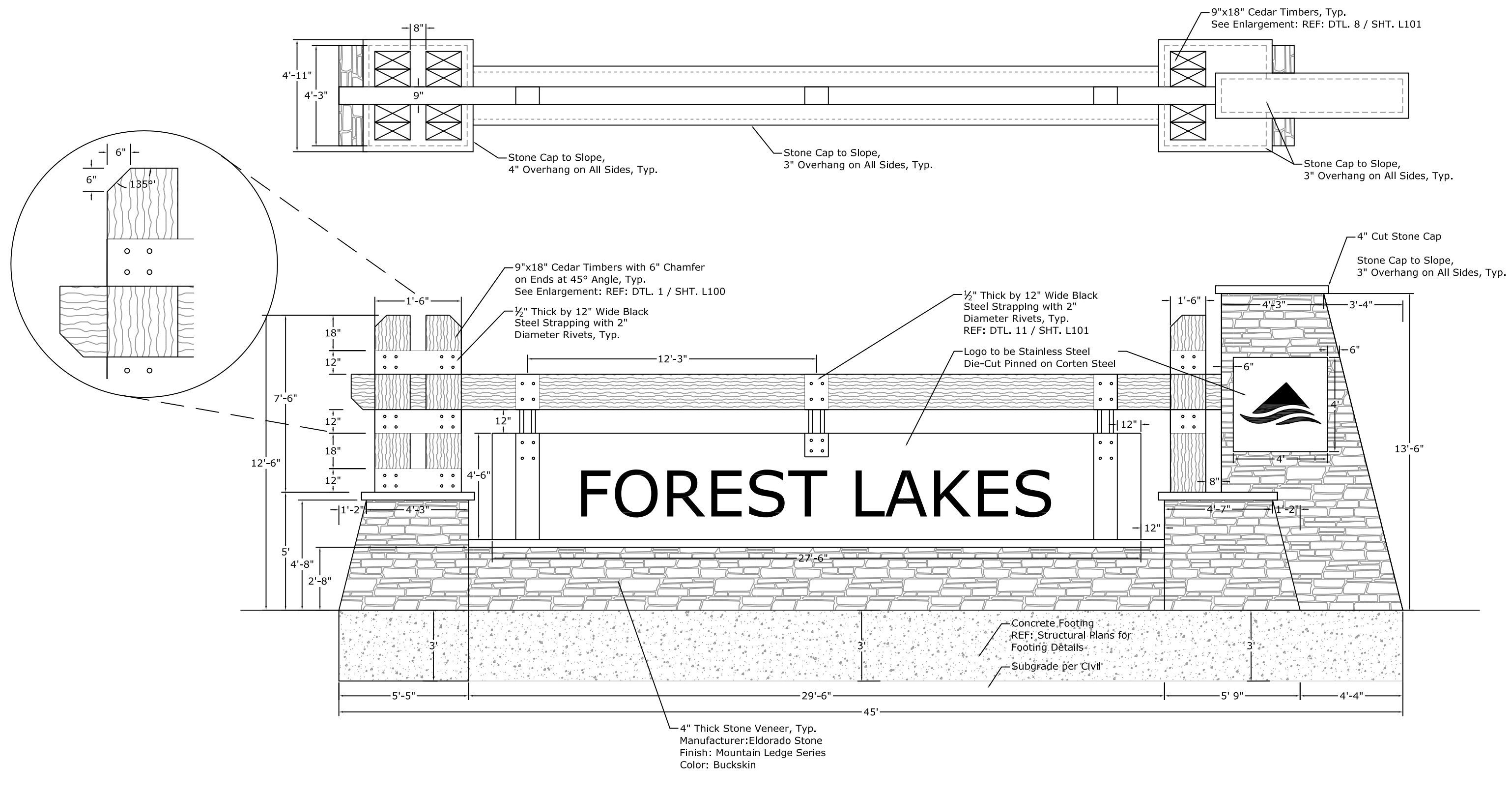
Monument Sign Details

S1
1 OF 2

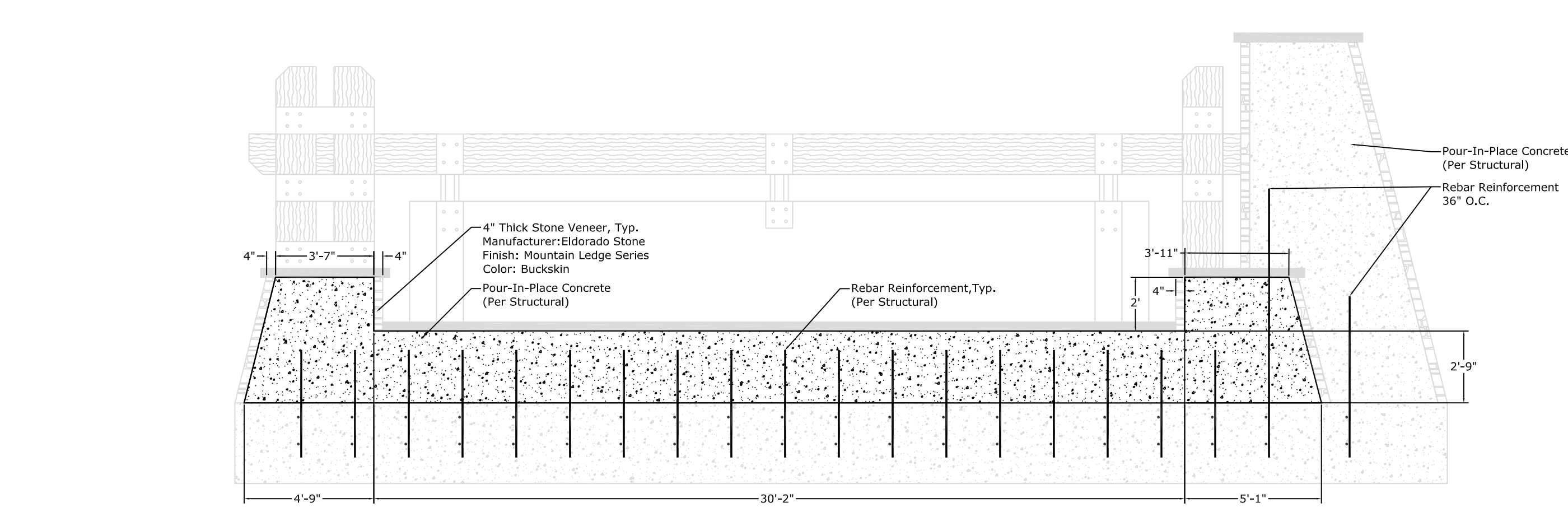
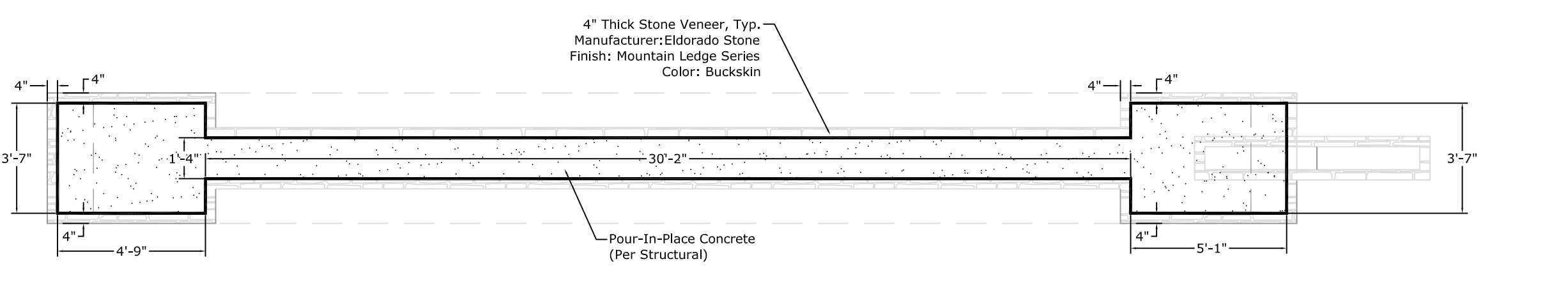
FOUNTELE 7



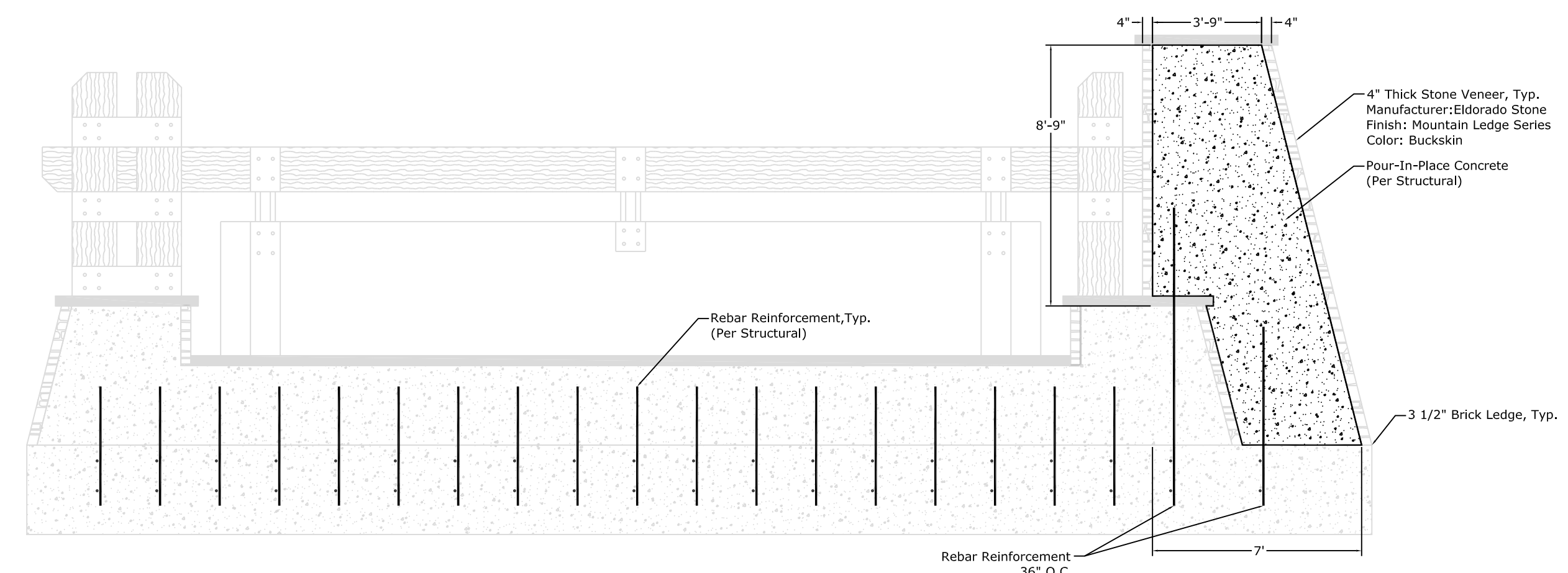
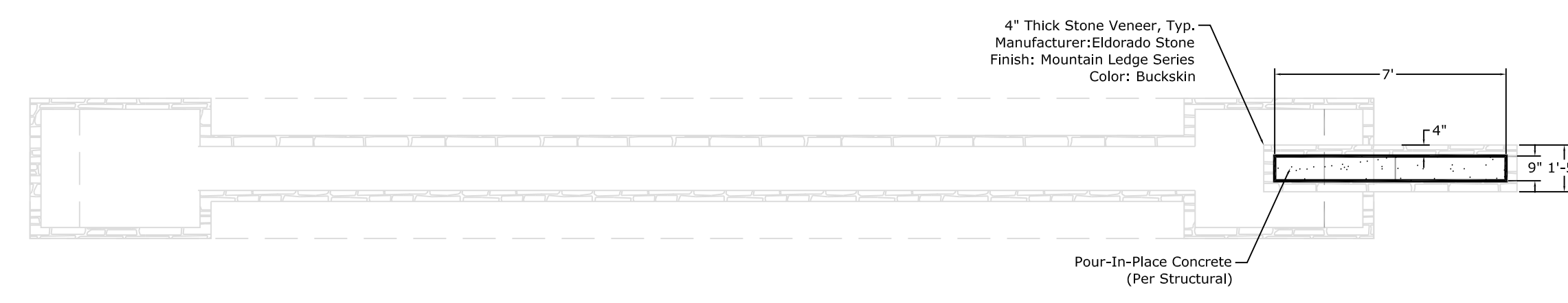
2 FOOTER DETAIL SCALE: NOT TO SCALE



1 MONUMENT SIGN SCALE: NOT TO SCALE

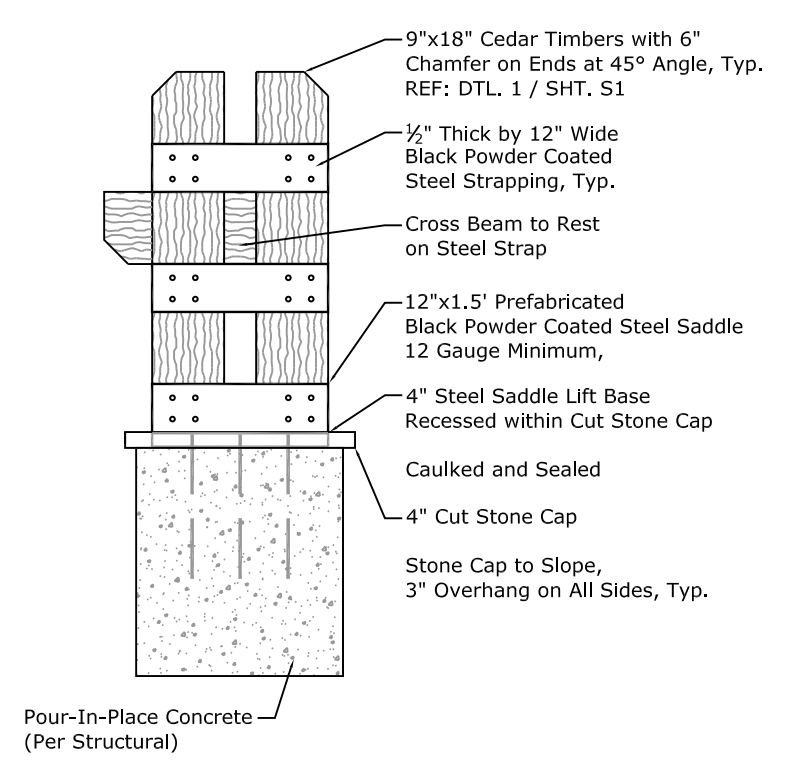


3 LOWER WALL DETAIL SCALE: NOT TO SCALE

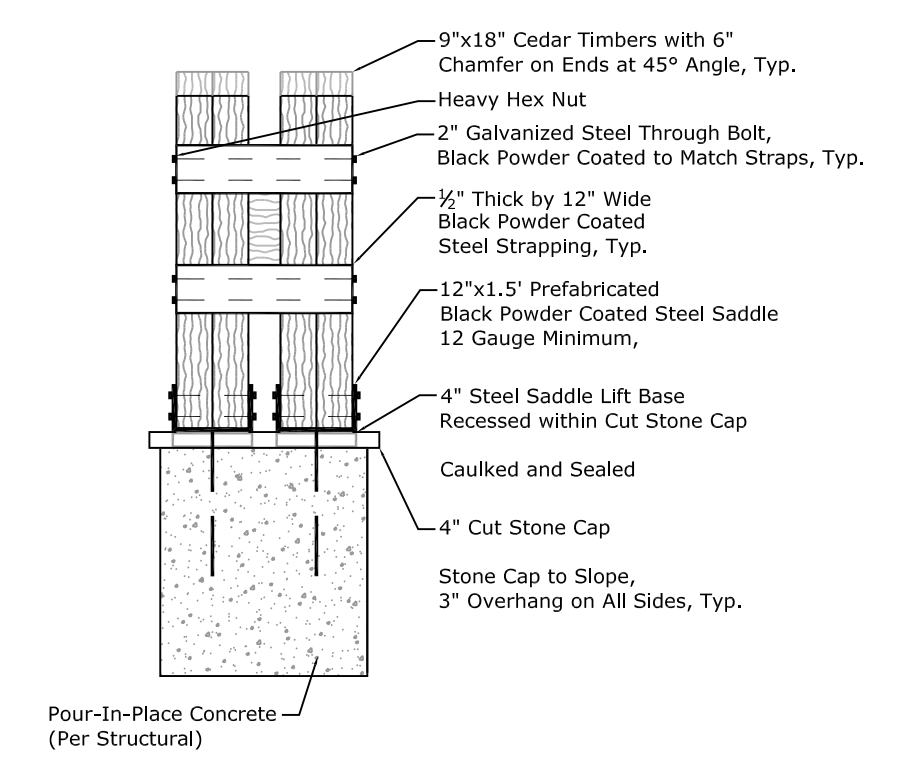


4 UPPER WALL / FIN DETAIL SCALE: NOT TO SCALE

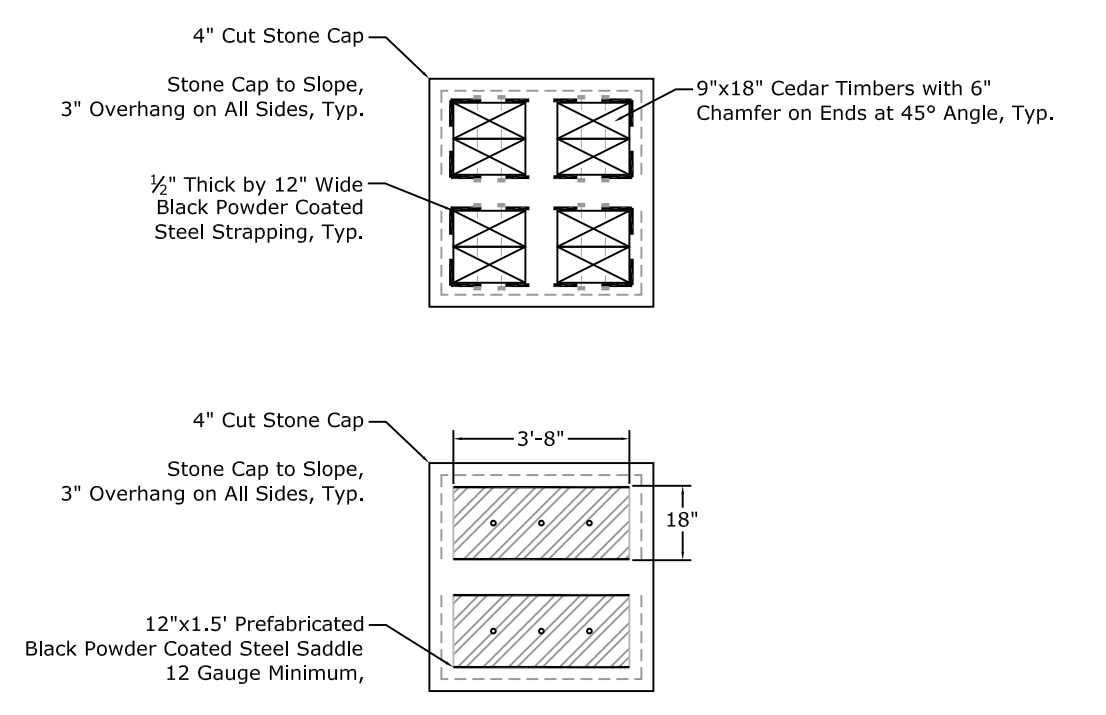
P:\Classical\Forest Lakes\Resident\Overall\Drawings\4-6-17.dwg [Details 1] 5/1/2017 10:02:12 AM b.jackson



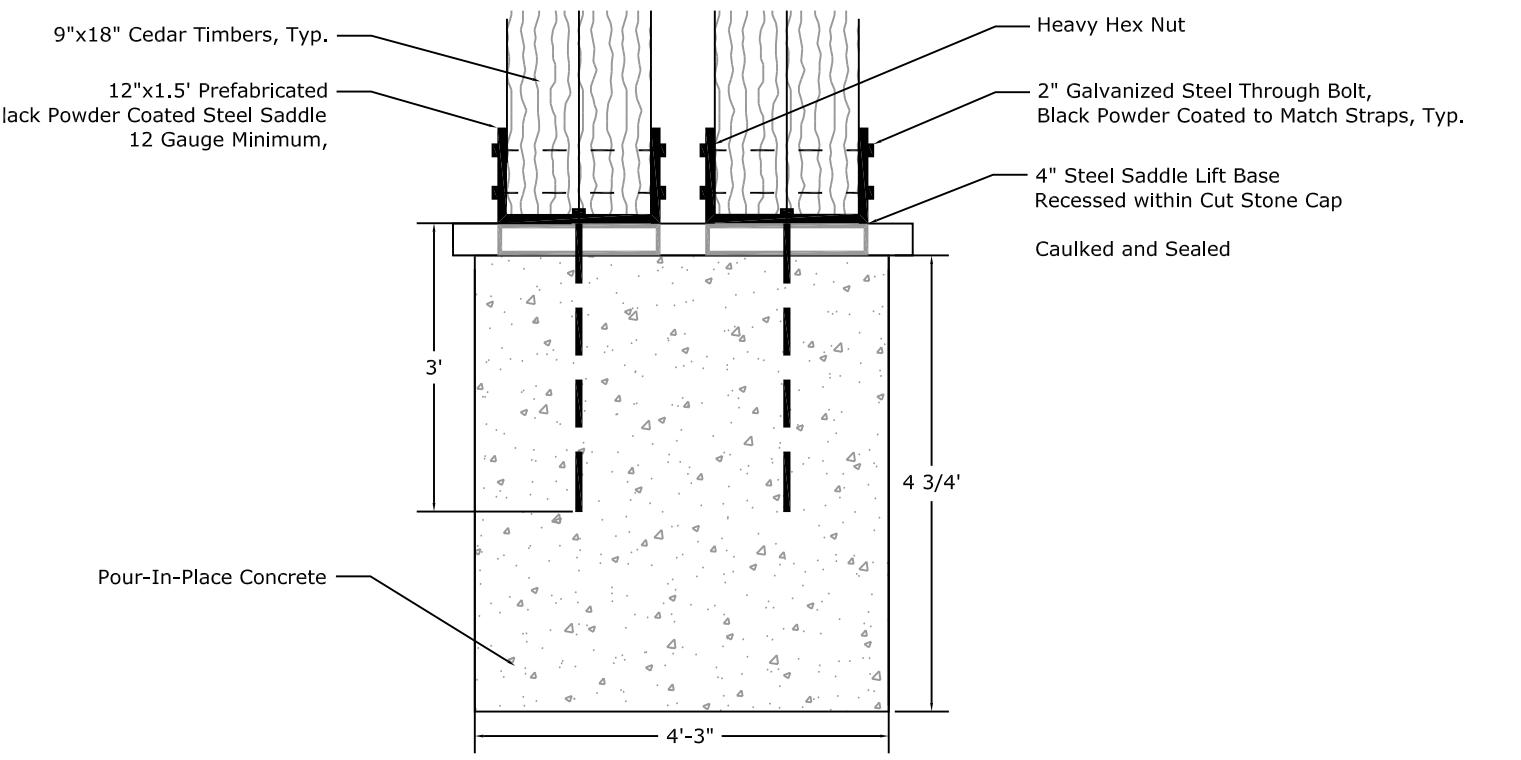
5 PILASTER DETAIL - CROSS BEAM PLACEMENT
SCALE: NOT TO SCALE



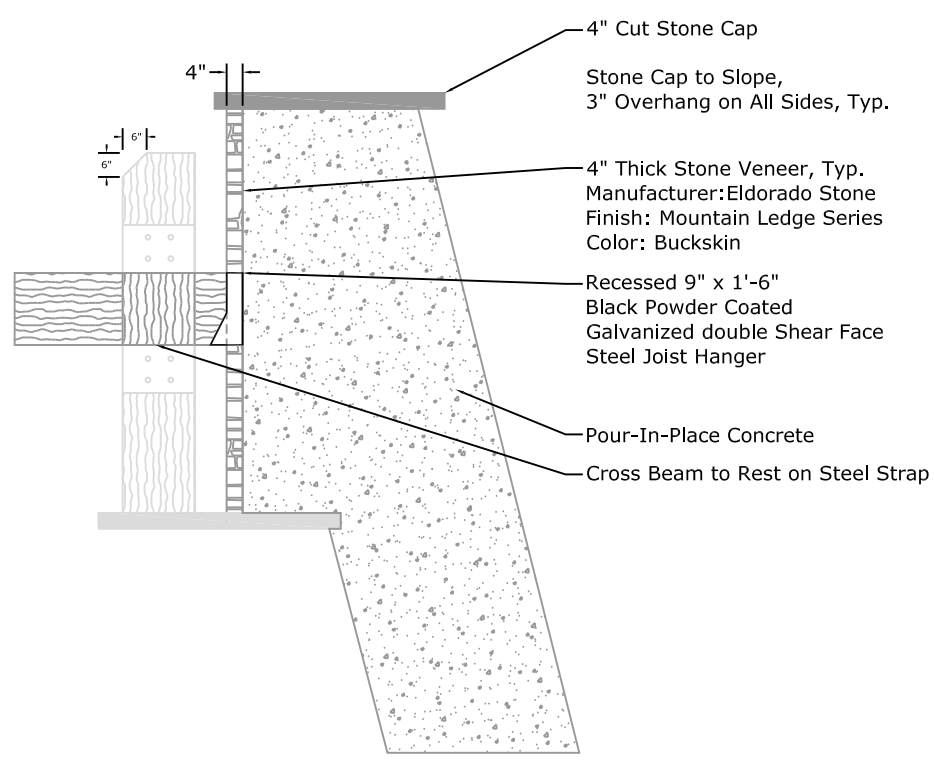
6 PILASTER DETAIL - STRAP DETAIL
SCALE: NOT TO SCALE



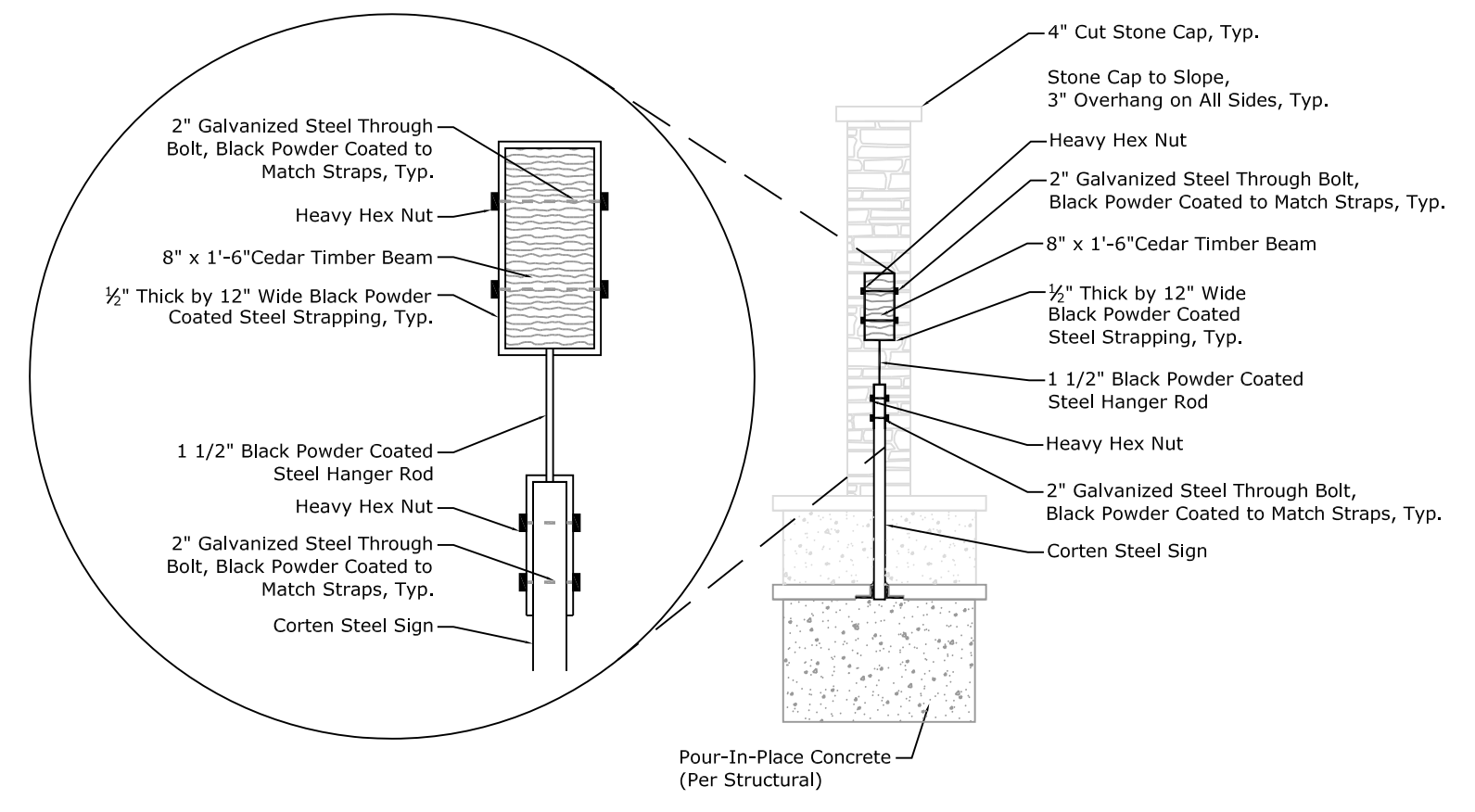
7 STRAP AND SADDLE DETAIL
SCALE: NOT TO SCALE



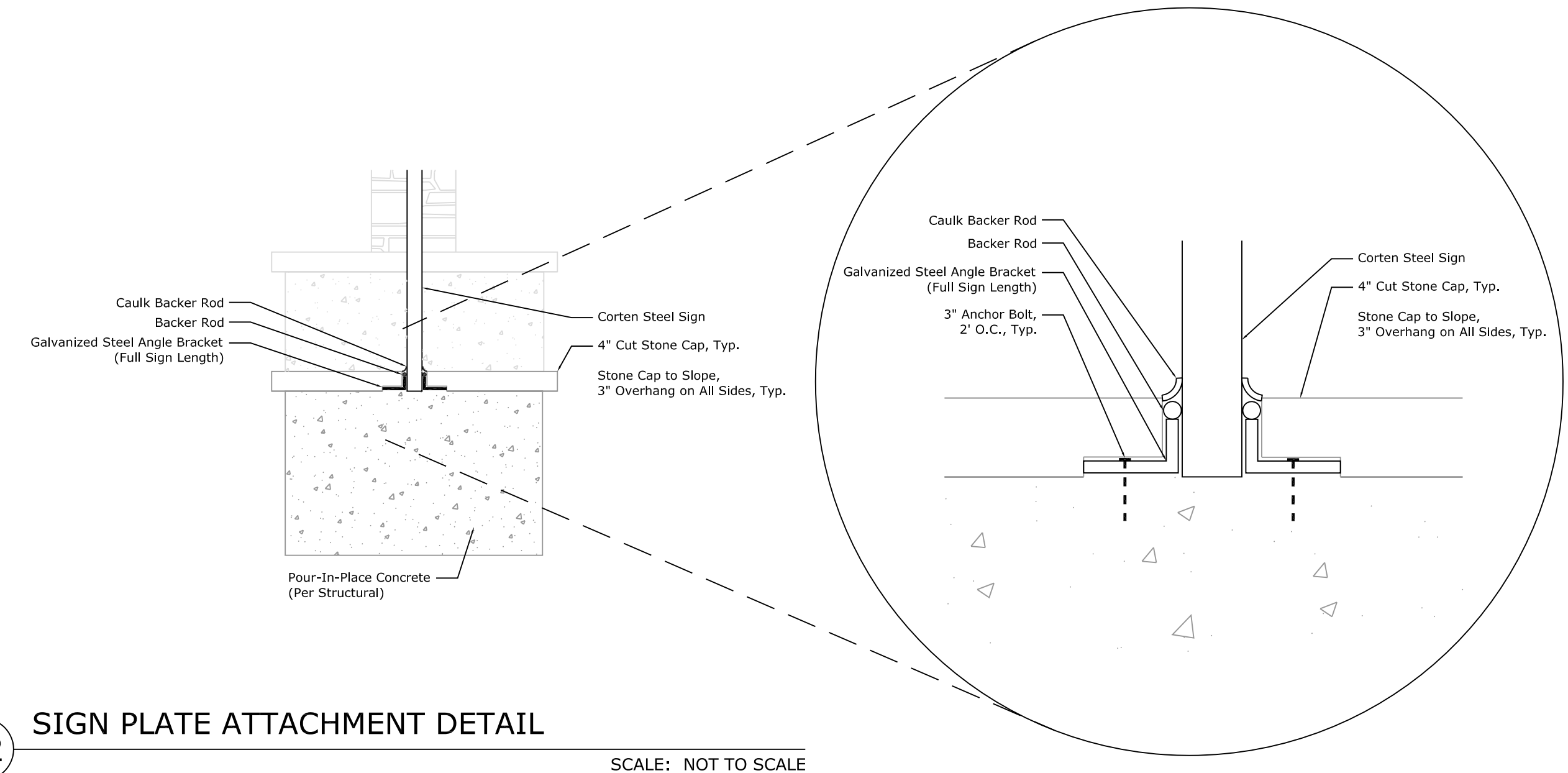
8 PILASTER-SADDLE DETAIL
SCALE: NOT TO SCALE



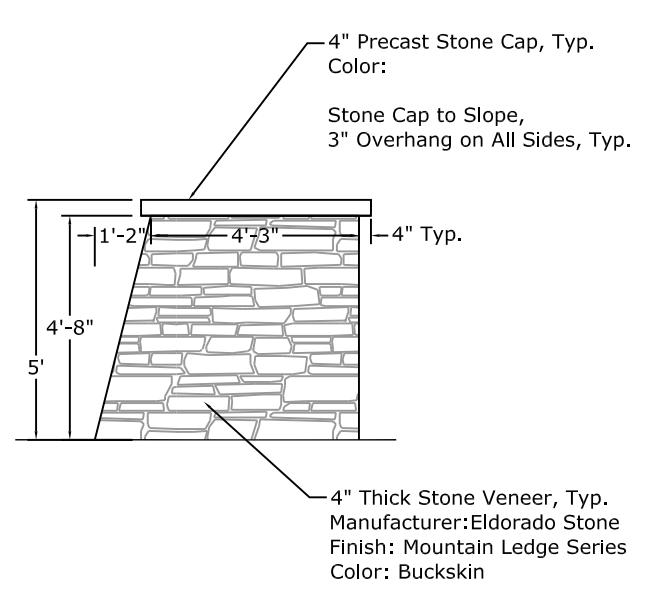
9 PILASTER-FIN DETAIL
SCALE: NOT TO SCALE



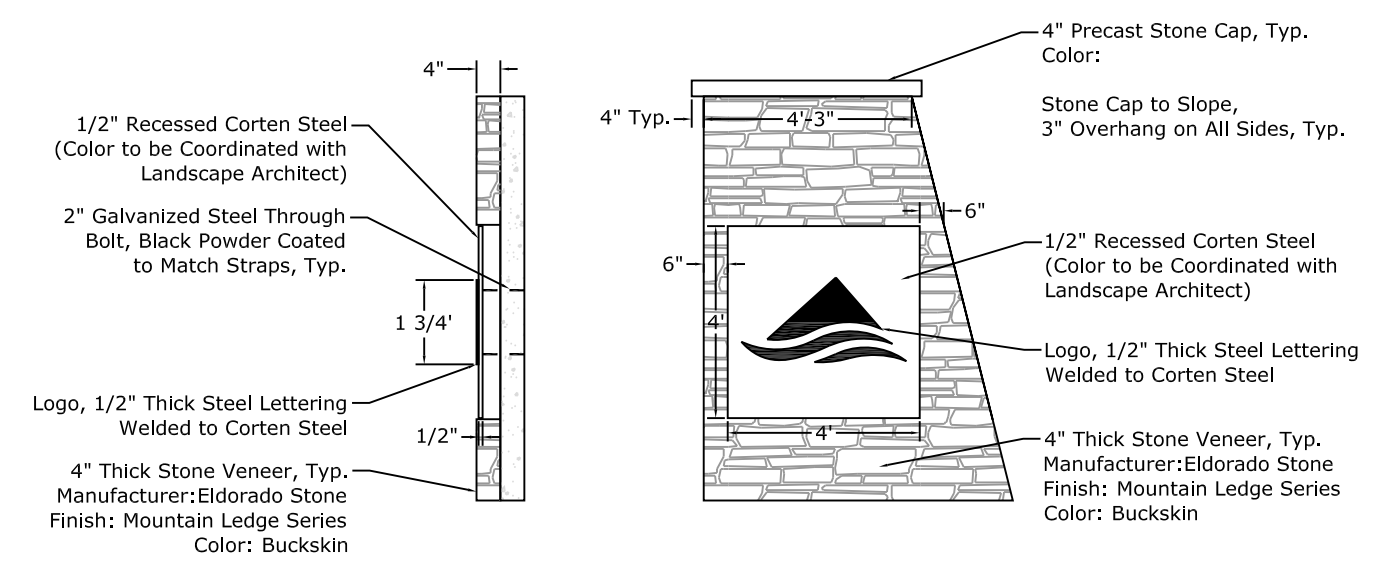
10 SIGN-BEAM ATTACHMENT DETAIL
SCALE: NOT TO SCALE



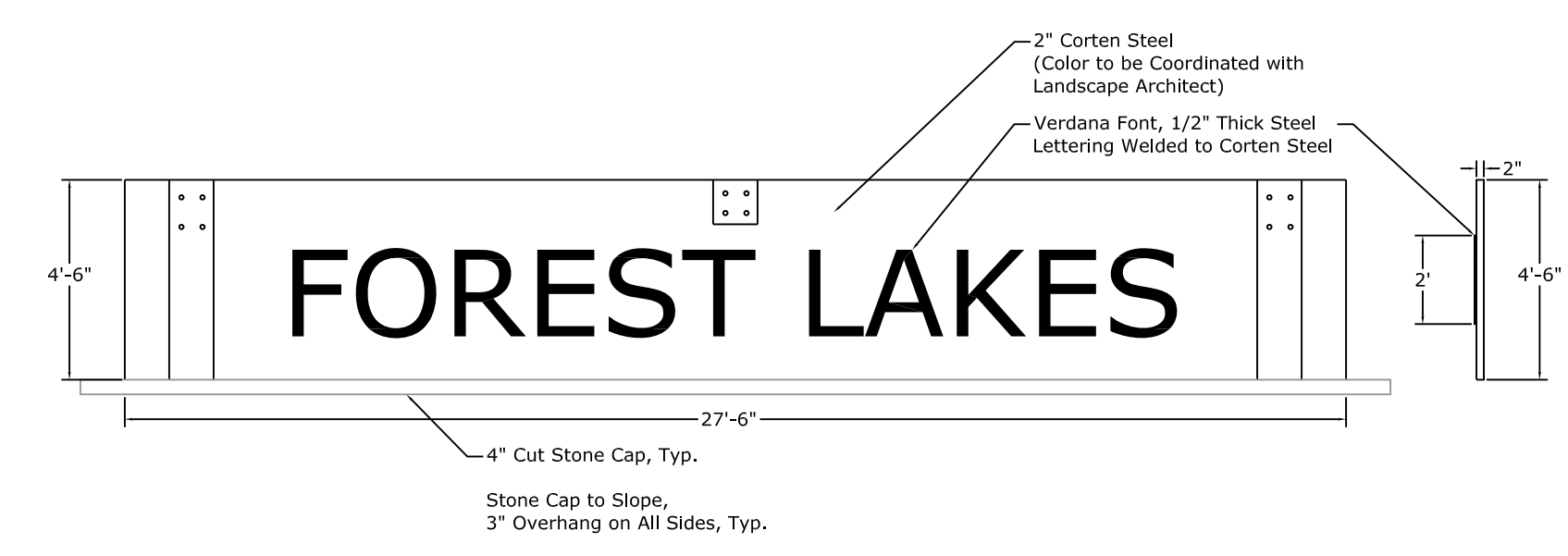
12 SIGN PLATE ATTACHMENT DETAIL
SCALE: NOT TO SCALE



13 LOWER PILASTER DETAIL
SCALE: NOT TO SCALE



14 FIN SIGN ATTACHMENT DETAIL
SCALE: NOT TO SCALE



15 SIGN & LETTERING DETAILS
SCALE: NOT TO SCALE

FOREST
LAKES
MONUMENT SIGN

DATE: April 4, 2017
PROJECT MGR: T. Seibert
PREPARED BY: B. Jackson

DATE:	BY:	DESCRIPTION:

Monument Sign Details

P:\Classical\Forest Lakes\Residential\Overall\Drawings\4-4.dwg [Details 2] 5/1/2017 10:02:37 AM b.jackson