

BARBARICK RECYCLING AND REFUSE TRANSFER STATION

A PORTION OF THE SOUTHWEST QUARTER OF SECTION 33, TOWNSHIP 12 SOUTH, RANGE 65 WEST OF THE 6TH P.M.
CITY OF COLORADO SPRINGS, COUNTY OF EL PASO, STATE OF COLORADO

CONSTRUCTION DOCUMENTS
MAY 2024

OWNER/DEVELOPER'S STATEMENT

I, THE OWNER/DEVELOPER HAVE READ AND WILL COMPLY WITH THE REQUIREMENTS SPECIFIED IN THESE DETAILED PLANS AND SPECIFICATIONS.

Richard A. Graham, Jr. 04/03/2024
OWNER/DEVELOPER SIGNATURE DATE

RICHARD A. GRAHAM, JR.
VOLLMER ROAD PARTNERS, LLLP
6035 ERIN PARK DR., SUITE 101
COLORADO SPRINGS CO 80918

ENGINEER'S STATEMENT

THESE DETAILED PLANS AND SPECIFICATIONS WERE PREPARED UNDER MY DIRECTION AND SUPERVISION. SAID PLANS AND SPECIFICATIONS HAVE BEEN PREPARED ACCORDING TO THE CRITERIA ESTABLISHED BY THE COUNTY FOR DETAILED ROADWAY, DRAINAGE, GRADING AND EROSION CONTROL PLANS AND SPECIFICATIONS, AND SAID PLANS AND SPECIFICATIONS ARE IN CONFORMITY WITH APPLICABLE MASTER DRAINAGE PLANS AND MASTER TRANSPORTATION PLANS. SAID PLANS AND SPECIFICATIONS MEET THE PURPOSES FOR WHICH THE PARTICULAR ROADWAY AND DRAINAGE FACILITIES ARE DESIGNED AND ARE CORRECT TO THE BEST OF MY KNOWLEDGE AND BELIEF. I ACCEPT RESPONSIBILITY FOR ANY LIABILITY CAUSED BY ANY NEGLIGENT ACTS, ERRORS OR OMISSIONS ON MY PART IN PREPARATION OF THESE DETAILED PLANS AND SPECIFICATIONS.



Eric Gunderson 05/06/24
ERIC GUNDERSON, PE (CO #49487) - KIMLEY-HORN AND ASSOCIATES, INC. DATE

EL PASO COUNTY REVIEW STATEMENT

COUNTY PLAN REVIEW IS PROVIDED ONLY FOR GENERAL CONFORMANCE WITH COUNTY DESIGN CRITERIA. THE COUNTY IS NOT RESPONSIBLE FOR THE ACCURACY AND ADEQUACY OF THE DESIGN, DIMENSIONS, AND/OR ELEVATIONS WHICH SHALL BE CONFIRMED AT THE JOB SITE. THE COUNTY THROUGH THE APPROVAL OF THIS DOCUMENT ASSUMES NO RESPONSIBILITY FOR COMPLETENESS AND/OR ACCURACY OF THIS DOCUMENT.

FILED IN ACCORDANCE WITH THE REQUIREMENTS OF THE EL PASO COUNTY LAND DEVELOPMENT CODE, DRAINAGE CRITERIA MANUAL VOLUMES 1 AND 2, AND ENGINEERING CRITERIA MANUAL, AS AMENDED.

IN ACCORDANCE WITH ECM SECTION 1.12, THESE CONSTRUCTION DOCUMENTS WILL BE VALID FOR CONSTRUCTION FOR A PERIOD OF 2 YEARS FROM THE DATE SIGNED BY THE EL PASO COUNTY ENGINEER. IF CONSTRUCTION HAS NOT STARTED WITHIN THOSE 2 YEARS, THE PLANS WILL NEED TO BE RESUBMITTED FOR APPROVAL, INCLUDING PAYMENT OF REVIEW FEES AT THE PLANNING AND COMMUNITY DEVELOPMENT DIRECTOR'S DISCRETION.

JOSHUA PALMER, PE COUNTY ENGINEER/ECM ADMINISTRATOR DATE

CONTACTS

OWNER:
BRIAN BELAND, BR 8812 CLIFF ALLEN POINT LLC
PO BOX 88120
COLORADO SPRINGS CO 80908-8120
TEL: (719) 499-0208
CONTACT: BRIAN BELAND

APPLICANT:
RICHARD A. GRAHAM, JR.
VOLLMER ROAD PARTNERS, LLLP
6035 ERIN PARK DR., SUITE 101
COLORADO SPRINGS CO 80918
TEL: (719) 499-0208
CONTACT: RICHARD GRAHAM JR

EL PASO COUNTY:
EL PASO COUNTY
PCD DEPARTMENT
2880 INTERNATIONAL CIRCLE, SUITE 110
COLORADO SPRINGS, CO 80910
PHONE: (719) 520-6300

SURVEYOR:
LAND DEVELOPMENT CONSULTANTS, INC.
3898 MAIZELAND ROAD
COLORADO SPRINGS, CO 80909
TEL: (719) 528-6133
CONTACT: DAVID V. HOSTETLER

ENGINEER:
KIMLEY-HORN AND ASSOCIATES, INC.
2 NEVADA NORTH AVE., SUITE 900
COLORADO SPRINGS, CO 80903
TEL: (719) 453-0182
CONTACT: ERIC GUNDERSON, P.E.

ARCHITECT:
BUCHER DESIGN STUDIO, INC.
12325 ORACLE BLVD, SUITE 101
COLORADO SPRINGS, CO 80921
(719) 484-0480
CONTACT: JASON SHOUDIS

LANDSCAPE ARCHITECT:
KIMLEY-HORN AND ASSOCIATES, INC.
2 NEVADA NORTH AVE., SUITE 900
COLORADO SPRINGS, CO 80903
(719) 284-7280
CONTACT: JIM HOUK



VICINITY MAP
SCALE: 1"=500'

SHEET INDEX

SHEET NO.	SHEET TITLE
C0.0	COVER SHEET
C1.0	DEMOLITION PLAN
C1.1	OVERALL SITE PLAN
C1.2	SITE PLAN INSETS
C2.0	OVERALL GRADING PLAN
C2.1	DETAILED GRADING PLAN
C2.2	DETAILED GRADING PLAN
C3.0	OVERALL STORM PLAN
C3.1	STORM PLAN & PROFILE
C3.2	STORM PLAN & PROFILE
C3.3	STORM PLAN & PROFILE
C3.4	DRAIN PLAN
C4.0	UTILITY PLAN
C5.0	SIGNAGE & STRIPING PLAN
C5.1	SIGNAGE & STRIPING DETAILS
C6.0	CONSTRUCTION DETAILS
C6.1	CONSTRUCTION DETAILS
C6.2	POND DETAILS
C6.3	SCALE DETAIL
L7.0	LANDSCAPE PLAN
L7.1	LANDSCAPE NOTES
L7.2	LANDSCAPE DETAILS

LEGAL DESCRIPTION

PARCEL A:
LOT 4, AMENDED PLAT OF BARBARICK SUBDIVISION, COUNTY OF EL PASO, STATE OF COLORADO.

CONTAINING 5.290 ACRES (230,442 S.F.), MORE OR LESS.

PARCEL B:
A NON-EXCLUSIVE INGRESS AND EGRESS EASEMENT AS SET FORTH AND DESCRIBED IN DECLARATION AND BYLAWS OF BARBARICK SUBDIVISION PROPERTY OWNERS ASSOCIATES, INC., RECORDED FEBRUARY 12, 2008 UNDER RECEPTION NO. 208016289 AS AMENDED BY INSTRUMENT RECORDED MARCH 10, 2008 UNDER RECEPTION NO. 208028000.

LEASED PARCEL: 3.297 ACRES

BENCHMARK

4' DIAMETER PRECAST CONCRETE STORM SEWER MANHOLE RIM LOCATED IN THE SOUTHEASTERLY PORTION OF THE PROPERTY; ELEVATION = 7027.34 "NGVD 1929 AND THE 1960 SUPPLEMENTARY ADJUSTMENT" DATUM.

FEMA CLASSIFICATION

THIS PROPERTY IS LOCATED WITHIN THE ZONE X (AREAS DETERMINED TO BE OUTSIDE THE 0.2% ANNUAL CHANCE FLOODPLAIN) AS DETERMINED BY THE FEDERAL EMERGENCY MANAGEMENT AGENCY, FLOOD INSURANCE RATE MAP NO. 08041C0533G, EFFECTIVE DATE DECEMBER 7, 2018.

STANDARD NOTES FOR EL PASO COUNTY CONSTRUCTION PLANS

- ALL DRAINAGE AND ROADWAY CONSTRUCTION SHALL MEET THE STANDARDS AND SPECIFICATIONS OF THE CITY OF COLORADO SPRINGS/EL PASO COUNTY DRAINAGE CRITERIA MANUAL, VOLUMES 1 AND 2, AND THE EL PASO COUNTY ENGINEERING CRITERIA MANUAL.
- CONTRACTOR SHALL BE RESPONSIBLE FOR THE NOTIFICATION AND FIELD NOTIFICATION OF ALL EXISTING UTILITIES, WHETHER SHOWN ON THE PLANS OR NOT, BEFORE BEGINNING CONSTRUCTION. LOCATION OF EXISTING UTILITIES SHALL BE VERIFIED BY THE CONTRACTOR PRIOR TO CONSTRUCTION. CALL 811 TO CONTACT THE UTILITY NOTIFICATION CENTER OF COLORADO (UNCC).
- CONTRACTOR SHALL KEEP A COPY OF THESE APPROVED PLANS, THE GRADING AND EROSION CONTROL PLAN, THE STORMWATER MANAGEMENT PLAN (SWMP), THE SOILS AND GEOTECHNICAL REPORT, AND THE APPROPRIATE DESIGN AND CONSTRUCTION STANDARDS AND SPECIFICATIONS AT THE JOB SITE AT ALL TIMES, INCLUDING THE FOLLOWING:
 - EL PASO COUNTY ENGINEERING CRITERIA MANUAL (ECM)
 - CITY OF COLORADO SPRINGS/EL PASO COUNTY DRAINAGE CRITERIA MANUAL, VOLUMES 1 AND 2
 - COLORADO DEPARTMENT OF TRANSPORTATION (CDOT) STANDARD SPECIFICATIONS FOR ROAD AND BRIDGE CONSTRUCTION
 - CDOT M & S STANDARDS
- NOTWITHSTANDING ANYTHING DEPICTED IN THESE PLANS IN WORDS OR GRAPHIC REPRESENTATION, ALL DESIGN AND CONSTRUCTION RELATED TO ROADS, STORM DRAINAGE AND EROSION CONTROL SHALL CONFORM TO THE STANDARDS AND REQUIREMENTS OF THE MOST RECENT VERSION OF THE RELEVANT ADOPTED EL PASO COUNTY STANDARDS, INCLUDING THE LAND DEVELOPMENT CODE, THE ENGINEERING CRITERIA MANUAL, THE DRAINAGE CRITERIA MANUAL, AND THE DRAINAGE CRITERIA MANUAL VOLUME 2. ANY DEVIATIONS FROM REGULATIONS AND STANDARDS MUST BE REQUESTED, AND APPROVED, IN WRITING. ANY MODIFICATIONS NECESSARY TO MEET CRITERIA AFTER-THE-FACT WILL BE ENTIRELY THE DEVELOPER'S RESPONSIBILITY TO RECTIFY.
- IT IS THE DESIGN ENGINEER'S RESPONSIBILITY TO ACCURATELY SHOW EXISTING CONDITIONS, BOTH ONSITE AND OFFSITE, ON THE CONSTRUCTION PLANS. ANY MODIFICATIONS NECESSARY DUE TO CONFLICTS, OMISSIONS, OR CHANGED CONDITIONS WILL BE ENTIRELY THE DEVELOPER'S RESPONSIBILITY TO RECTIFY.
- CONTRACTOR SHALL SCHEDULE A PRE-CONSTRUCTION MEETING WITH EL PASO COUNTY PLANNING AND COMMUNITY DEVELOPMENT (PCD) - INSPECTIONS, PRIOR TO STARTING CONSTRUCTION.
- IT IS THE CONTRACTOR'S RESPONSIBILITY TO UNDERSTAND THE REQUIREMENTS OF ALL JURISDICTIONAL AGENCIES AND TO OBTAIN ALL REQUIRED PERMITS, INCLUDING BUT NOT LIMITED TO EL PASO COUNTY EROSION AND STORMWATER QUALITY CONTROL PERMIT (ESQCP), REGIONAL BUILDING FLOODPLAIN DEVELOPMENT PERMIT, U.S. ARMY CORPS OF ENGINEERS-ISSUED 401 AND/OR 404 PERMITS, AND COUNTY AND STATE FUGITIVE DUST PERMITS.
- CONTRACTOR SHALL NOT DEVIATE FROM THE PLANS WITHOUT FIRST OBTAINING WRITTEN APPROVAL FROM THE DESIGN ENGINEER AND PCD. CONTRACTOR SHALL NOTIFY THE DESIGN ENGINEER IMMEDIATELY UPON DISCOVERY OF ANY ERRORS OR INCONSISTENCIES.
- ALL STORM DRAIN PIPE SHALL BE CLASS III RCP UNLESS OTHERWISE NOTED AND APPROVED BY PCD.
- CONTRACTOR SHALL COORDINATE GEOTECHNICAL TESTING PER ECM STANDARDS. PAVEMENT DESIGN SHALL BE APPROVED BY EL PASO COUNTY PCD PRIOR TO PLACEMENT OF CURB AND GUTTER AND PAVEMENT.
- ALL CONSTRUCTION TRAFFIC MUST ENTER/EXIT THE SITE AT APPROVED CONSTRUCTION ACCESS POINTS.
- SIGHT VISIBILITY TRIANGLES AS IDENTIFIED IN THE PLANS SHALL BE PROVIDED AT ALL INTERSECTIONS. OBSTRUCTIONS GREATER THAN 18 INCHES ABOVE FLOWLINE ARE NOT ALLOWED WITHIN SIGHT TRIANGLES.
- SIGNING AND STRIPING SHALL COMPLY WITH EL PASO COUNTY DOT AND MUTCD CRITERIA. [IF APPLICABLE, ADDITIONAL SIGNING AND STRIPING NOTES WILL BE PROVIDED.]
- CONTRACTOR SHALL OBTAIN ANY PERMITS REQUIRED BY EL PASO COUNTY DOT, INCLUDING WORK WITHIN THE RIGHT-OF-WAY AND SPECIAL TRANSPORT PERMITS.
- THE LIMITS OF CONSTRUCTION SHALL REMAIN WITHIN THE PROPERTY LINE UNLESS OTHERWISE NOTED. THE OWNER/DEVELOPER SHALL OBTAIN WRITTEN PERMISSION AND EASEMENTS, WHERE REQUIRED, FROM ADJOINING PROPERTY OWNER(S) PRIOR TO ANY OFF-SITE DISTURBANCE, GRADING, OR CONSTRUCTION.
- EL PASO COUNTY DOES NOT OWN AND IS NOT RESPONSIBLE FOR THE UNDERDRAINS OR GROUNDWATER DISCHARGE SYSTEMS SHOWN ON THESE PLANS AND ASSUMES NO LIABILITY FOR WATER RIGHTS ADMINISTRATION BY APPROVING THESE PLANS. MAINTENANCE AND WATER RIGHTS ARE THE RESPONSIBILITY OF THE DEVELOPER.



Kimley-Horn
2024 KIMLEY-HORN AND ASSOCIATES, INC.
2 North Nevada Avenue Suite 900
Colorado Springs, Colorado 80903 (719) 453-0180

DESIGNED BY: EJG
DRAWN BY: RES
CHECKED BY: EJG
DATE: 5/6/2024

BARBARICK WASTE TRANSFER STATION
EL PASO COUNTY, COLORADO
CONSTRUCTION DOCUMENTS
COVER SHEET



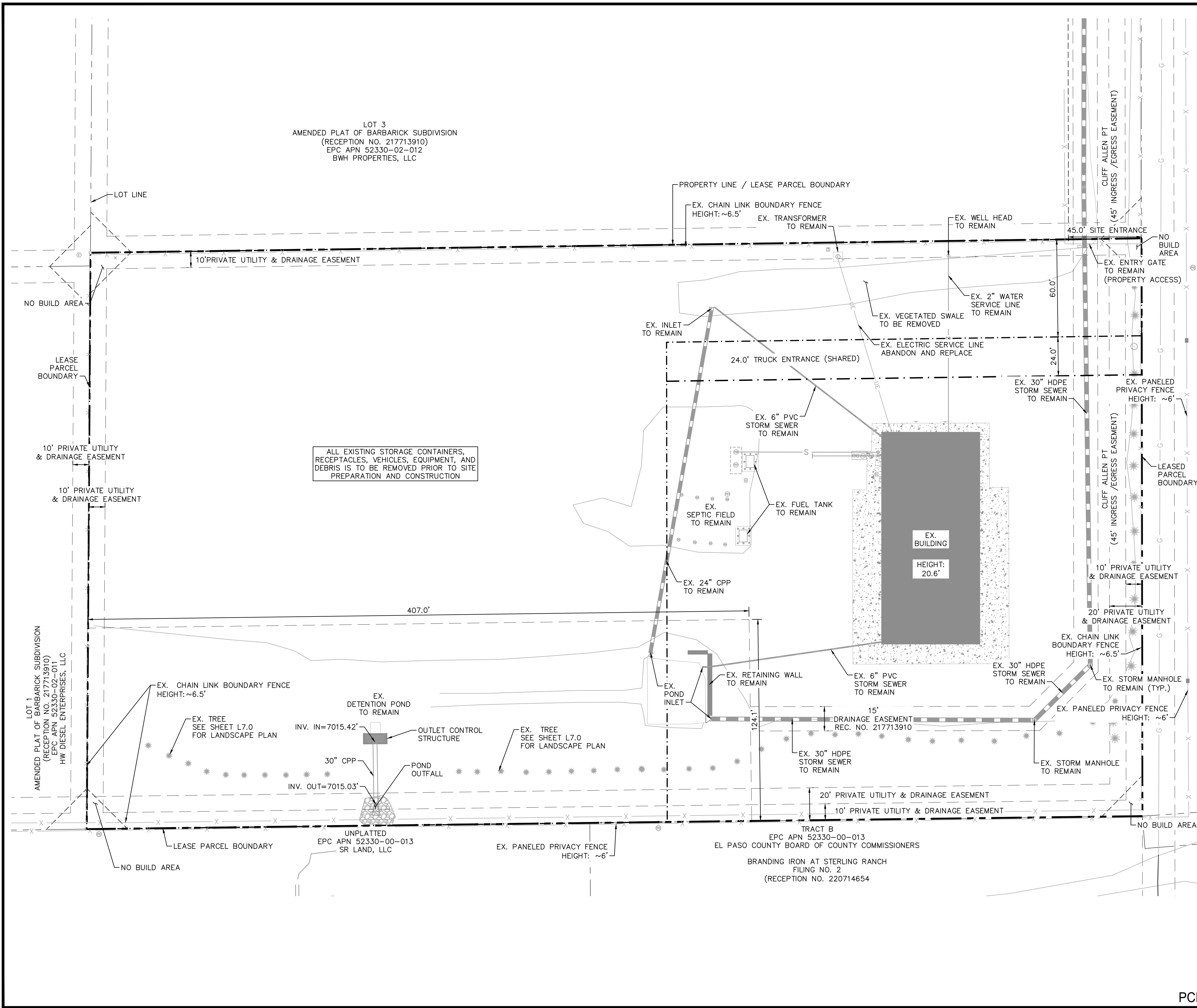
PROJECT NO.
196489000

SHEET

C0.0

PCD FILE NO. COM2346

K:\COS_Civil\196489000_Barbarick Waste Transfer\CADD\PlanSheets\COS_CD_DEMO_196489000.dwg Schmelbach, Ryan 5/7/2024 10:05 AM



LEGEND

- - - - - PROPERTY LINE
- LEASED PARCEL BOUNDARY
- - - - - EX. UTILITY & DRAINAGE EASEMENT
- X EX. FENCE
- - - - - EX. STORM SEWER
- G EX. GAS MAIN
- * EX. VEGETATION
- ⊗ EX. TRANSFORMER

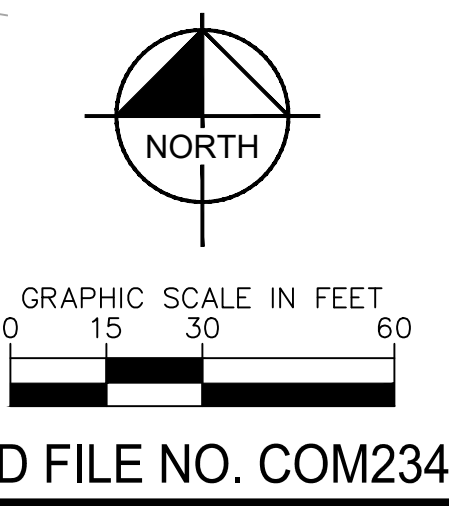
NOTES

- SITE PREPARATION SHALL TAKE PLACE PER THE GEOTECHNICAL SUBSURFACE SOIL INVESTIGATION, BY RMG - ROCKY MOUNTAIN GROUP, DATED OCTOBER 23, 2023.

Kimley»Horn
 2024 KIMLEY-HORN AND ASSOCIATES, INC.
 2 North Nevada Avenue Suite 900
 Colorado Springs, Colorado 80903 (719) 453-0180

DESIGNED BY: E.J.G.
 DRAWN BY: RES
 CHECKED BY: E.J.G.
 DATE: 5/6/2024

BARBARICK WASTE TRANSFER STATION
 EL PASO COUNTY, COLORADO
 CONSTRUCTION DOCUMENTS
 DEMOLITION PLAN



811 Know what's below.
 Call before you dig.

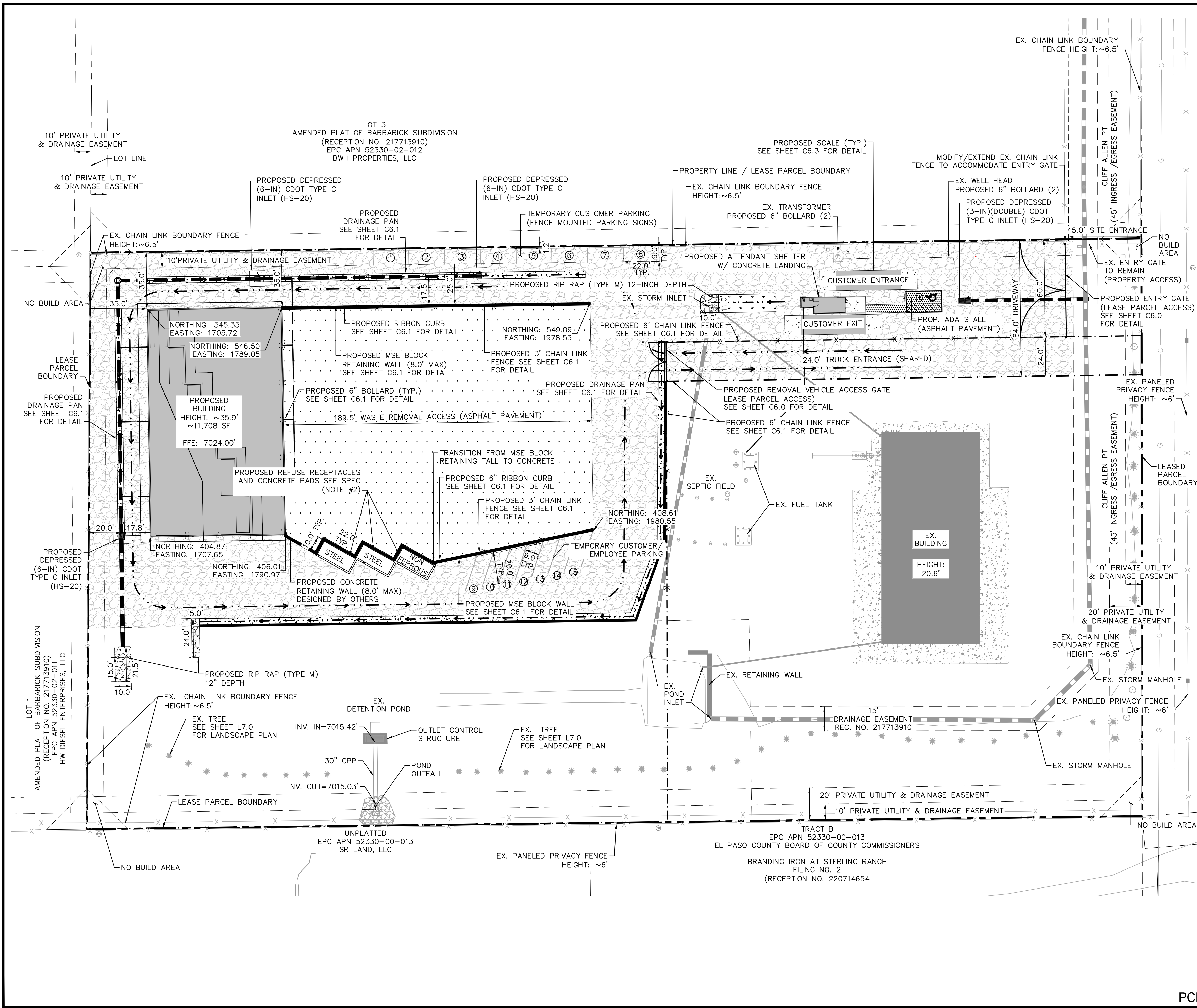
CALL UTILITY NOTIFICATION
 CENTER OF COLORADO
 1-800-922-1987
 CALL 2-BUSINESS DAYS IN ADVANCE
 BEFORE YOU DIG, GRADE, OR EXCAVATE
 FOR THE MARKING OF UNDERGROUND
 MEMBER UTILITIES.



PROJECT NO.
196489000
 SHEET
C1.0

PCD FILE NO. COM2346

K:\COS_Civil\196489000_Barbarick Waste Transfer\CADD\PlanSheets\CDS\DP_SP-196489000.dwg Schmelbach, Ryan 5/7/2024 10:06 AM



LEGEND

- PROPERTY LINE
- - - LEASED PARCEL BOUNDARY
- - - EX. UTILITY & DRAINAGE EASEMENT
- PROPOSED TRUCK TRAFFIC FLOW
- X EX. FENCE
- EX. STORM SEWER
- G EX. GAS MAIN
- EX. VEGETATION
- ⊙ EX. TRANSFORMER
- X PROPOSED CHAIN LINK FENCE
- ▨ PROPOSED ASPHALT
- ▩ PROPOSED CONCRETE
- ▧ PROPOSED 10" COMPACTED ROAD BASE
- ⊕ PROPOSED PARKING

SPECIFICATIONS

1. ALL CONCRETE FLATWORK AND SCALE FOUNDATIONS SHOULD BE IN ACCORDANCE WITH CDOT CLASS D CONCRETE PER TABLE 601-1 OF SECTION 601 OF THE 2022 CDOT STANDARD SPECIFICATIONS FOR ROAD AND BRIDGE CONSTRUCTION.
2. CONCRETE RECEPTACLE PADS TO BE 8" REINFORCED CDOT CLASS D CONCRETE W/ #4 BARS @ 18" O.C.E.W.
3. PAVEMENT DESIGN PENDING GEOTECHNICAL RECOMMENDATION
4. ALL DRIVABLE SURFACES NOT SPECIFIED AS CONCRETE OR ASPHALT PAVEMENT ARE TO BE 10" COMPACTED ROAD BASE (CDOT CLASS 5 OR APPROVED EQUIVALENT)

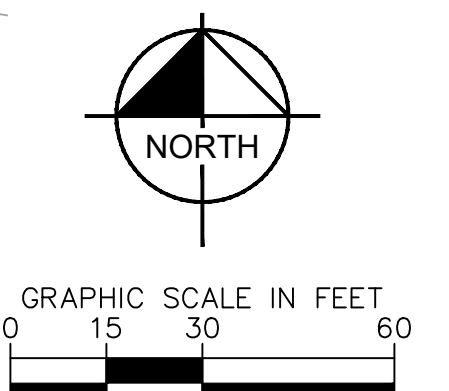
NOTES

- * SEE SHEET C1.2 FOR DETAILED SITE PLAN INSETS.

Kimley»Horn
 2024 KIMLEY-HORN AND ASSOCIATES, INC.
 2 North Nevada Avenue Suite 900
 Colorado Springs, Colorado 80903 (719) 453-0180

DESIGNED BY: E/JG
 DRAWN BY: RES
 CHECKED BY: E/JG
 DATE: 5/6/2024

BARBARICK WASTE TRANSFER STATION
 EL PASO COUNTY, COLORADO
 CONSTRUCTION DOCUMENTS
OVERALL SITE PLAN



811 Know what's below.
 Call before you dig.

CALL UTILITY NOTIFICATION
 CENTER OF COLORADO
1-800-922-1987
 CALL 2-BUSINESS DAYS IN ADVANCE
 BEFORE YOU DIG, GRADE, OR EXCAVATE
 FOR THE MARKING OF UNDERGROUND
 MEMBER UTILITIES.

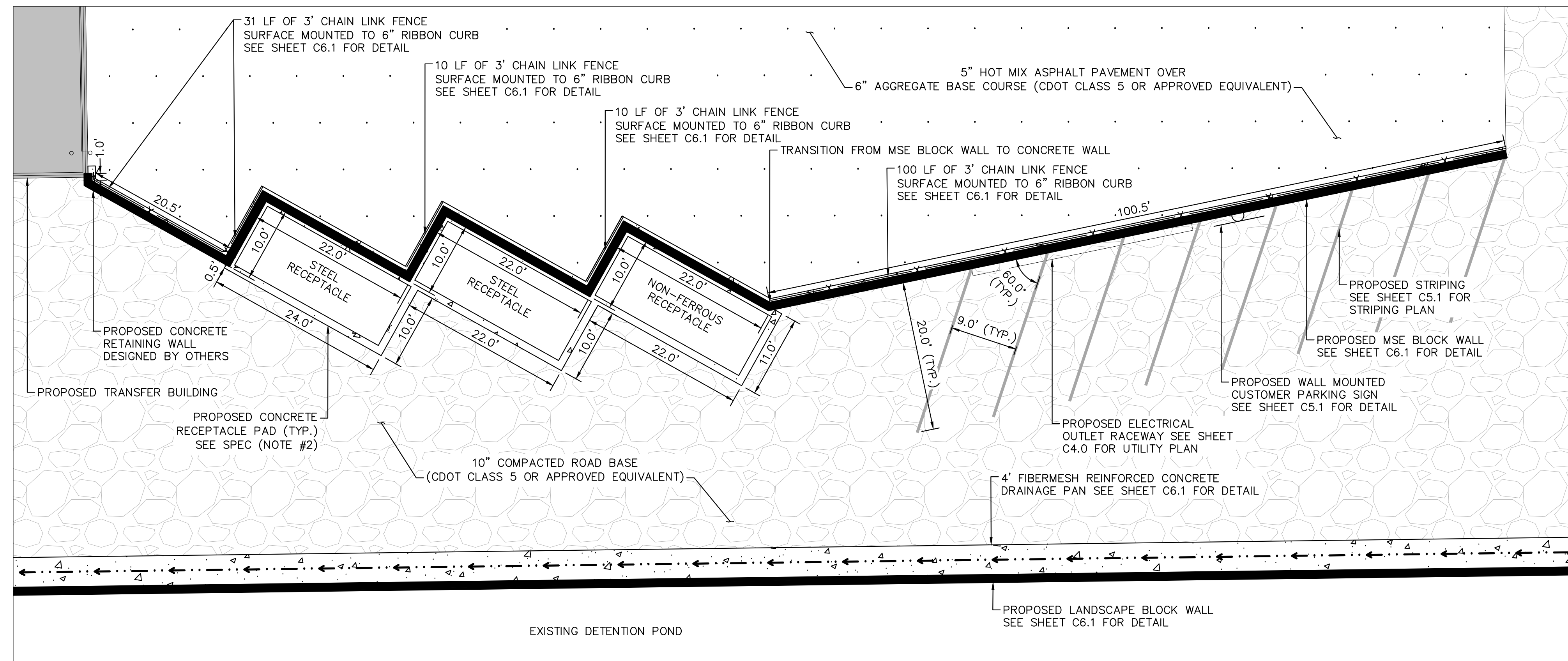


PROJECT NO.
196489000

SHEET
C1.1

PCD FILE NO. COM2346

K:\COS_Civil\196489000_Barbarick Waste Transfer\CADD\PlanSheets\CDS\DP_SP-INSET-196489000.dwg Schmelbach, Ryan 5/7/2024 10:06 AM

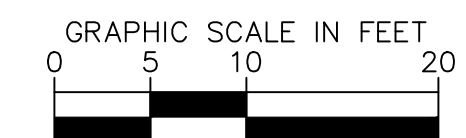
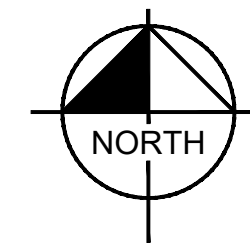
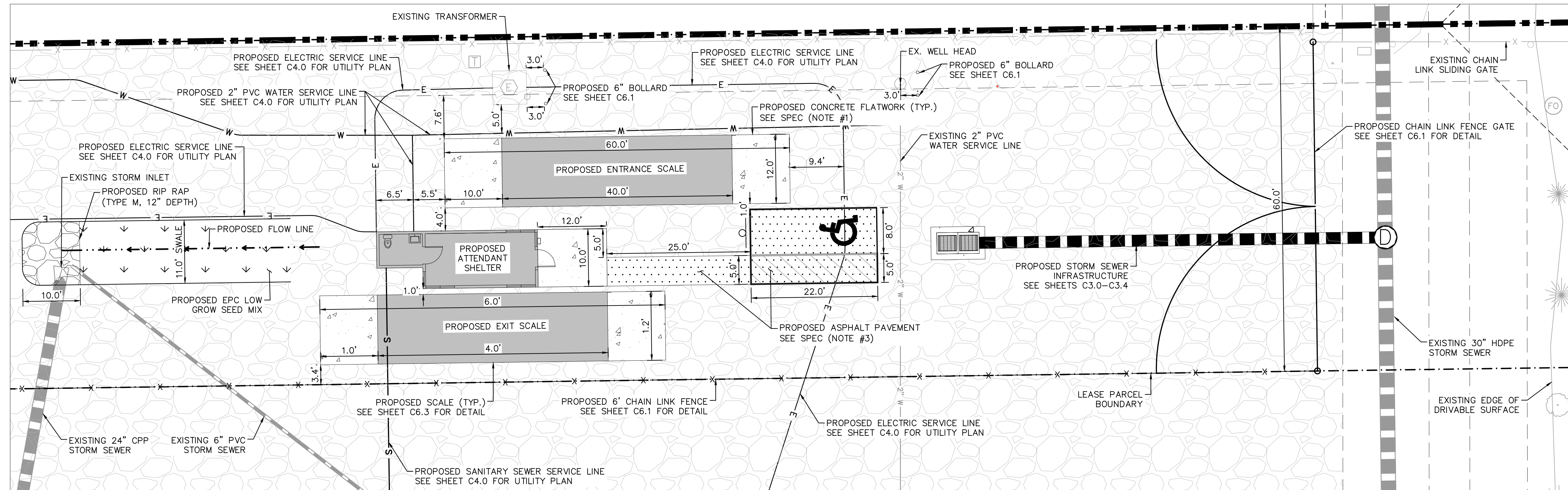


LEGEND

- — — — — PROPERTY LINE
- - - - - LEASED PARCEL BOUNDARY
- - - - - EX. UTILITY & DRAINAGE EASEMENT
- → → → → PROPOSED TRUCK TRAFFIC FLOW
- - - - - EX. FENCE
- — — — — EX. STORM SEWER
- — — — — EX. GAS MAIN
- * EX. VEGETATION
- ⊕ EX. TRANSFORMER
- - - - - PROPOSED CHAIN LINK FENCE
- [Pattern] PROPOSED ASPHALT
- [Pattern] PROPOSED CONCRETE
- [Pattern] PROPOSED 10" COMPACTED ROAD BASE
- ⊕ PROPOSED PARKING

SPECIFICATIONS

1. ALL CONCRETE FLATWORK AND SCALE FOUNDATIONS SHOULD BE IN ACCORDANCE WITH CDOT CLASS D CONCRETE PER TABLE 601-1 OF SECTION 601 OF THE 2022 CDOT STANDARD SPECIFICATIONS FOR ROAD AND BRIDGE CONSTRUCTION.
2. CONCRETE RECEPTACLE PADS TO BE 8" REINFORCED CDOT CLASS D CONCRETE (OR APPROVED EQUIVALENT) W/ #4 BARS @ 18" O.C.E.W.
3. PAVEMENT DESIGN PENDING GEOTECHNICAL RECOMMENDATION
4. ALL DRIVABLE SURFACES NOT SPECIFIED AS CONCRETE OR ASPHALT PAVEMENT ARE TO BE 10" COMPACTED ROAD BASE (CDOT CLASS 5 OR APPROVED EQUIVALENT)



PCD FILE NO. COM2346



Kimley»Horn
 2024 KIMLEY-HORN AND ASSOCIATES, INC.
 2 North Nevada Avenue Suite 900
 Colorado Springs, Colorado 80903 (719) 453-0180

DESIGNED BY: E.JG
 DRAWN BY: RES
 CHECKED BY: E.JG
 DATE: 5/6/2024

BARBARICK WASTE TRANSFER STATION
 EL PASO COUNTY, COLORADO
 CONSTRUCTION DOCUMENTS
 SITE PLAN INSETS

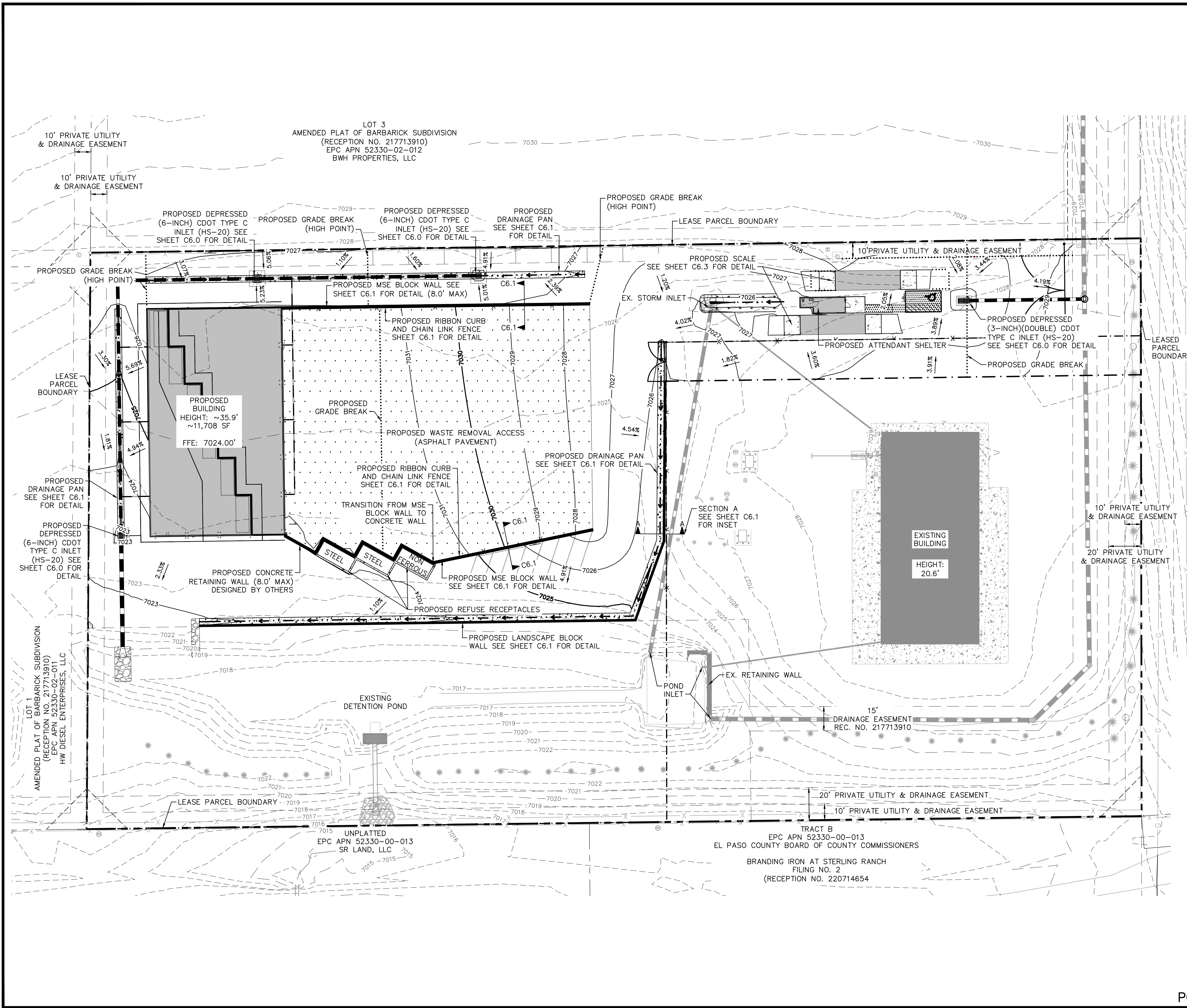


PROJECT NO.
196489000

SHEET

C1.2

K:\COS_Civil\196489000_Barbarick Waste Transfer\CADD\PlanSheets\CDs_CD_OVR_CD-196489000.dwg Schmelbach, Ryan 5/7/2024 10:06 AM



LEGEND

	PROPERTY LINE
	LEASED PARCEL BOUNDARY
	EXISTING UTILITY & DRAINAGE EASEMENT
	EXISTING FENCE
	EXISTING STORM SEWER
	EXISTING GAS MAIN
	EXISTING VEGETATION
	EXISTING TRANSFORMER
	PROPOSED STORM INLET
	PROPOSED ASPHALT
	PROPOSED CONCRETE
	EXISTING MAJOR CONTOUR
	EXISTING MINOR CONTOUR
	PROPOSED MAJOR CONTOUR
	PROPOSED MINOR CONTOUR
	PROPOSED FLOW LINE
	GRADE BREAK LINE
	FINISHED GRADE
	MATCH EXISTING
	FINISHED FLOOR ELEVATION
	LOW POINT
	HIGH POINT
	TOP OF WALL
	BOTTOM OF WALL
	TOP OF SLAB (SCALE)

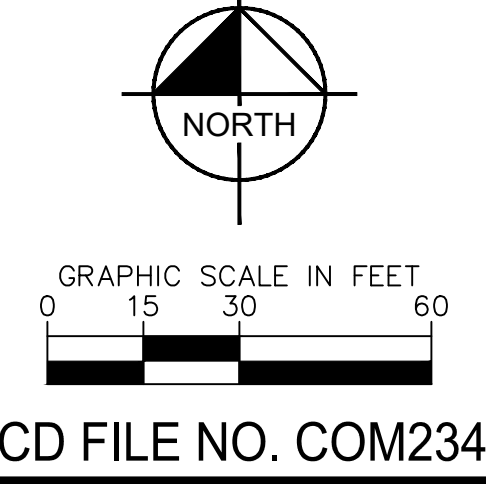
- NOTES**
1. PRIVATE CURB RAMPS ON THE SITE SHALL CONFORM TO ADA STANDARDS
 2. ALL ACCESSIBLE ROUTES, GENERAL SITE AND BUILDING ELEMENTS, RAMPS, STRIPING AND PAVEMENT MARKINGS SHALL CONFORM TO ADA STANDARDS FOR ACCESSIBLE DESIGN, LATEST EDITION
 3. BEFORE PLACING PAVEMENT, CONTRACTOR SHALL VERIFY THAT SUITABLE ACCESSIBLE PEDESTRIAN ROUTES (PER ADA) EXISTING TO AND FROM THE PROPOSED ATTENDANT SHELTER TO THE ACCESSIBLE PARKING SPACE.
 4. ACCESSIBLE RAMP SLOPES SHALL NOT EXCEED 1 VERTICAL TO 12 HORIZONTAL
 5. ACCESSIBLE PARKING SPACES AND ACCESS AISLES SHALL NOT EXCEED 2.0% SLOW IN ANY DIRECTION
 6. CONTRACTOR SHALL TAKE FIELD SLOPE MEASUREMENTS ON FINISHED SUBGRADE AND FORM BOARDS PRIOR TO PLACING PAVEMENT TO VERIFY THAT ADA SLOPE REQUIREMENTS ARE PROVIDED. CONTRACTOR SHALL CONTACT ENGINEER OF RECORD PRIOR TO PAVING IF ANY EXCESSIVE SLOPES ARE ENCOUNTERED. NO CONTRACTOR CHANGE ORDERS WILL BE ACCEPTED FOR ADA SLOPE COMPLIANCE ISSUES.

Kimley»Horn
 2024 KIMLEY-HORN AND ASSOCIATES, INC.
 2 North Nevada Avenue Suite 900
 Colorado Springs, Colorado 80903 (719) 453-0180

DESIGNED BY: E:JG
 DRAWN BY: RES
 CHECKED BY: E:JG
 DATE: 5/6/2024

BARBARICK WASTE TRANSFER STATION
 EL PASO COUNTY, COLORADO
 CONSTRUCTION DOCUMENTS
OVERALL GRADING PLAN

TRACT B
 EPC APN 52330-00-013
 EL PASO COUNTY BOARD OF COUNTY COMMISSIONERS
 BRANDING IRON AT STERLING RANCH
 FILING NO. 2
 (RECEPTION NO. 220714654)



811 Know what's below.
 Call before you dig.

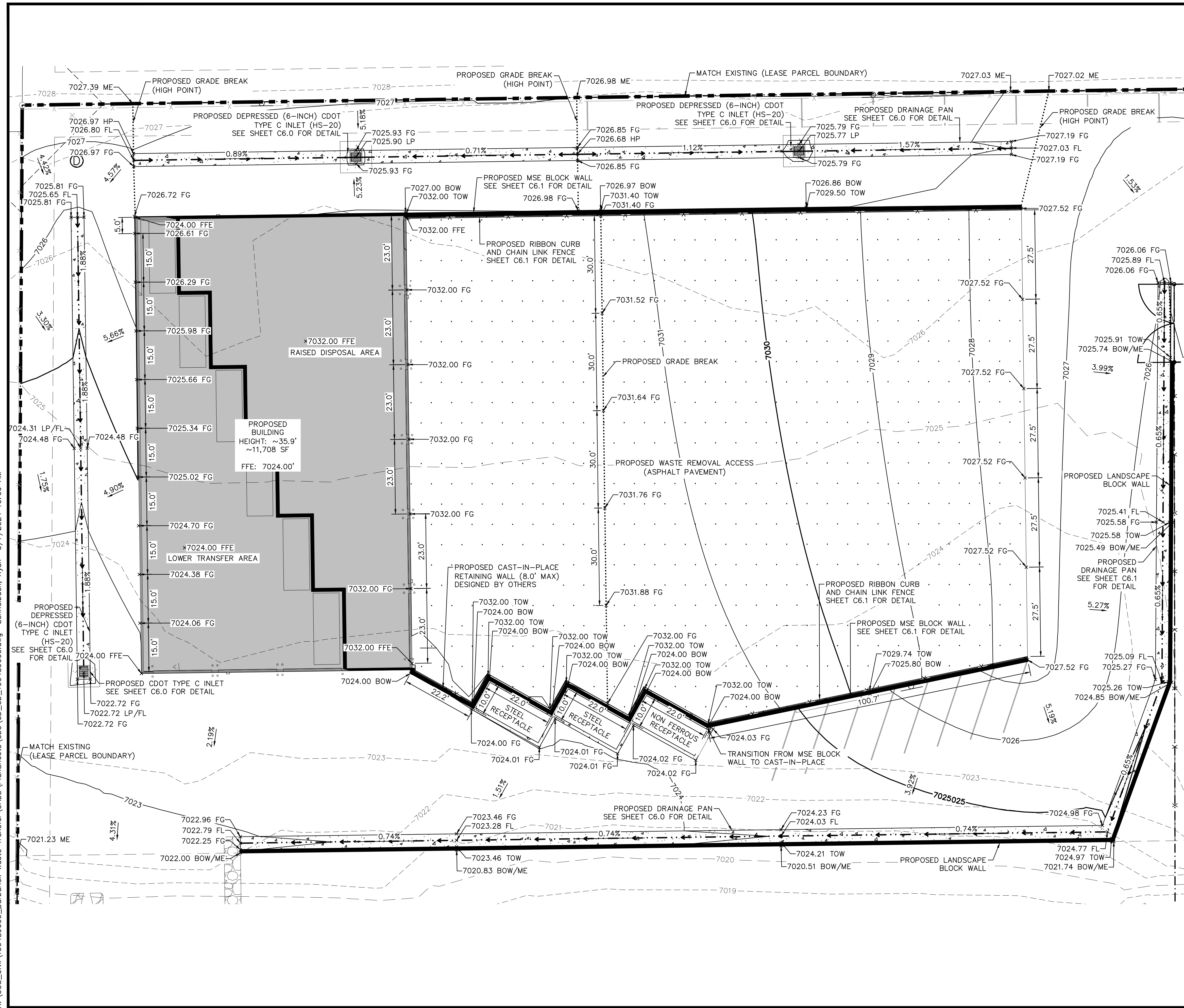
CALL UTILITY NOTIFICATION
 CENTER OF COLORADO
 1-800-922-1987
 CALL 2-BUSINESS DAYS IN ADVANCE
 BEFORE YOU DIG, GRADE, OR EXCAVATE
 FOR THE MARKING OF UNDERGROUND
 MEMBER UTILITIES



PROJECT NO.
 196489000
 SHEET
C2.0

PCD FILE NO. COM2346

K:\COS_Civil\196489000_Barbarick Waste Transfer\CADD\PlanSheets\CDS\CD_CD_196489000.dwg Schmelbach, Ryan 5/7/2024 10:06 AM



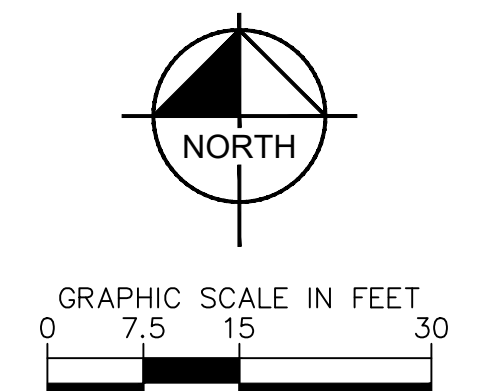
LEGEND

- PROPERTY LINE
- - - - - LEASED PARCEL BOUNDARY
- - - - - EXISTING UTILITY & DRAINAGE EASEMENT
- - - - - EXISTING FENCE
- - - - - EXISTING STORM SEWER
- - - - - EXISTING GAS MAIN
- * EXISTING VEGETATION
- ⊙ EXISTING TRANSFORMER
- PROPOSED STORM INLET
- ▭ PROPOSED ASPHALT
- ▭ PROPOSED CONCRETE
- - - - - 70XX EXISTING MAJOR CONTOUR
- - - - - 70XX EXISTING MINOR CONTOUR
- 70XX PROPOSED MAJOR CONTOUR
- 70XX PROPOSED MINOR CONTOUR
- PROPOSED FLOW LINE
- - - - - GRADE BREAK LINE
- FG FINISHED GRADE
- ME MATCH EXISTING
- FFE FINISHED FLOOR ELEVATION
- LP LOW POINT
- HP HIGH POINT
- TOW TOP OF WALL
- BOW BOTTOM OF WALL
- SLAB TOP OF SLAB

NOTES

1. PRIVATE CURB RAMPS ON THE SITE SHALL CONFORM TO ADA STANDARDS
2. ALL ACCESSIBLE ROUTES, GENERAL SITE AND BUILDING ELEMENTS, RAMPS, STRIPING AND PAVEMENT MARKINGS SHALL CONFORM TO ADA STANDARDS FOR ACCESSIBLE DESIGN, LATEST EDITION
3. BEFORE PLACING PAVEMENT, CONTRACTOR SHALL VERIFY THAT SUITABLE ACCESSIBLE PEDESTRIAN ROUTES (PER ADA) EXISTING TO AND FROM THE PROPOSED ATTENDANT SHELTER TO THE ACCESSIBLE PARKING SPACE.
4. ACCESSIBLE RAMP SLOPES SHALL NOT EXCEED 1 VERTICAL TO 12 HORIZONTAL
5. ACCESSIBLE PARKING SPACES AND ACCESS AISLES SHALL NOT EXCEED 2.0% SLOW IN ANY DIRECTION
6. CONTRACTOR SHALL TAKE FIELD SLOPE MEASUREMENTS ON FINISHED SUBGRADE AND FORM BOARDS PRIOR TO PLACING PAVEMENT TO VERIFY THAT ADA SLOPE REQUIREMENTS ARE PROVIDED. CONTRACTOR SHALL CONTACT ENGINEER OF RECORD PRIOR TO PAVING IF ANY EXCESSIVE SLOPES ARE ENCOUNTERED. NO CONTRACTOR CHANGE ORDERS WILL BE ACCEPTED FOR ADA SLOPE COMPLIANCE ISSUES.

MATCHLINE - SEE SHEET C2.2



CALL UTILITY NOTIFICATION CENTER OF COLORADO 1-800-922-1987 CALL 2-BUSINESS DAYS IN ADVANCE BEFORE YOU DIG, GRADE, OR EXCAVATE FOR THE MARKING OF UNDERGROUND MEMBER UTILITIES.



DESIGNED BY: E.J.G.
DRAWN BY: RES
CHECKED BY: E.J.G.
DATE: 5/6/2024

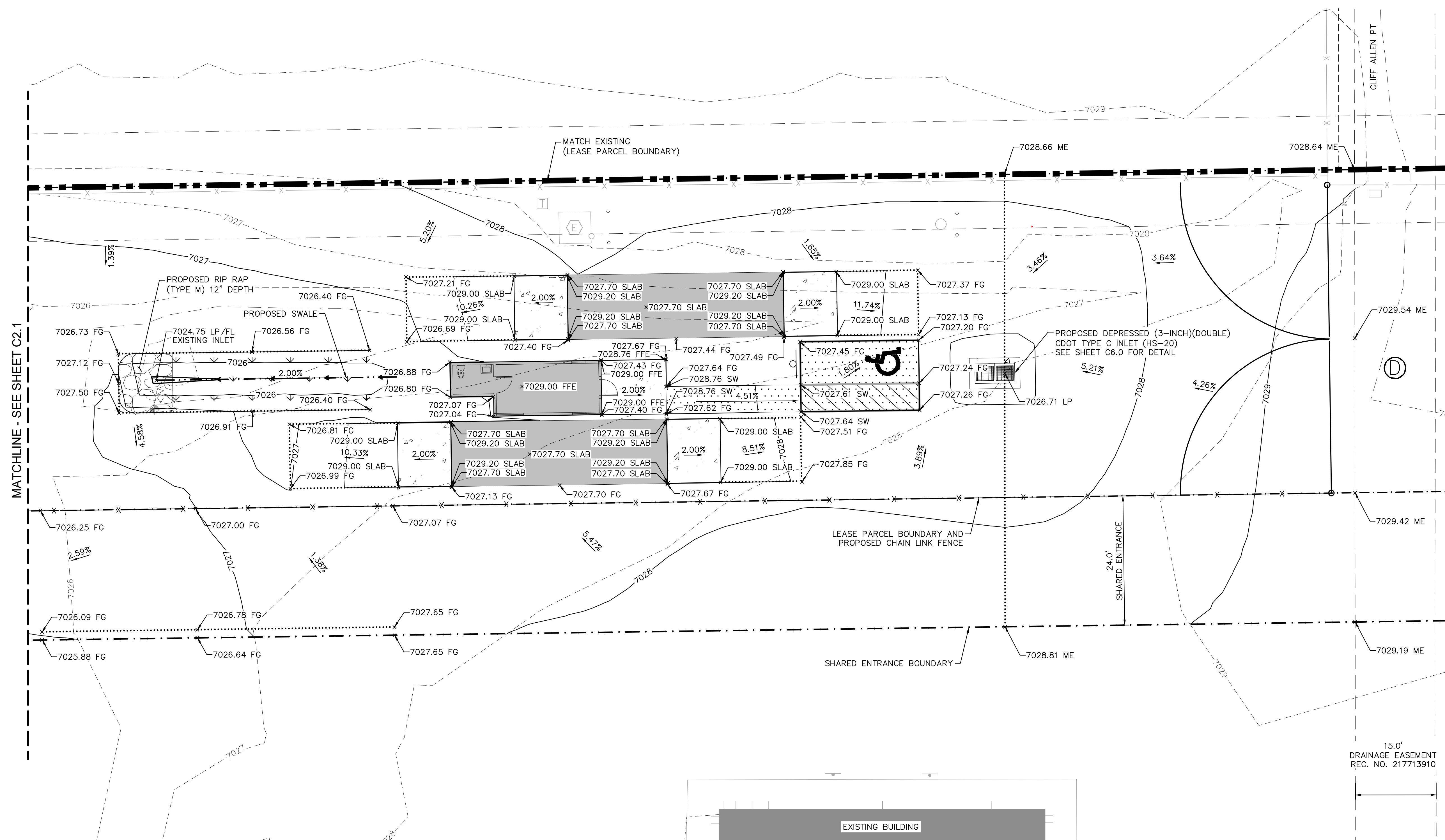
BARBARICK WASTE TRANSFER STATION
EL PASO COUNTY, COLORADO
CONSTRUCTION DOCUMENTS
DETAILED GRADING PLAN



PROJECT NO. 196489000
SHEET C2.1

PCD FILE NO. COM2346

K:\COS_Civil\196489000_Barbarick Waste Transfer\CADD\PlanSheets\CDs\CD_196489000.dwg Schmelbach, Ryan 5/7/2024 10:06 AM



LEGEND

- — — — — PROPERTY LINE
- . - . - . LEASED PARCEL BOUNDARY
- - - - - EXISTING UTILITY & DRAINAGE EASEMENT
- X — — — — EXISTING FENCE
- — — — EXISTING STORM SEWER
- G — — — — EXISTING GAS MAIN
- * — — — — EXISTING VEGETATION
- ⊕ — — — — EXISTING TRANSFORMER
- — — — — PROPOSED STORM INLET

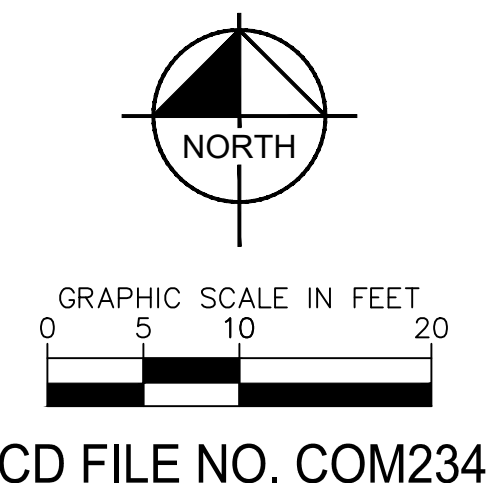
- ▨ — — — — PROPOSED ASPHALT
- ▩ — — — — PROPOSED CONCRETE
- - - - - 70XX — — — — EXISTING MAJOR CONTOUR
- - - - - 70XX — — — — EXISTING MINOR CONTOUR
- — — — 70XX — — — — PROPOSED MAJOR CONTOUR
- — — — 70XX — — — — PROPOSED MINOR CONTOUR
- — — — — PROPOSED FLOW LINE
- GRADE BREAK LINE

ABBREVIATIONS

- FG FINISHED GRADE
- ME MATCH EXISTING
- FFE FINISHED FLOOR ELEVATION
- LP LOW POINT
- HP HIGH POINT
- TOW TOP OF WALL
- BOW BOTTOM OF WALL
- SLAB TOP OF SLAB

NOTES

1. PRIVATE CURB RAMPS ON THE SITE SHALL CONFORM TO ADA STANDARDS
2. ALL ACCESSIBLE ROUTES, GENERAL SITE AND BUILDING ELEMENTS, RAMPS, STRIPING AND PAVEMENT MARKINGS SHALL CONFORM TO ADA STANDARDS FOR ACCESSIBLE DESIGN, LATEST EDITION
3. BEFORE PLACING PAVEMENT, CONTRACTOR SHALL VERIFY THAT SUITABLE ACCESSIBLE PEDESTRIAN ROUTES (PER ADA) EXISTING TO AND FROM THE PROPOSED ATTENDANT SHELTER TO THE ACCESSIBLE PARKING SPACE.
4. ACCESSIBLE RAMP SLOPES SHALL NOT EXCEED 1 VERTICAL TO 12 HORIZONTAL
5. ACCESSIBLE PARKING SPACES AND ACCESS AISLES SHALL NOT EXCEED 2.0% SLOW IN ANY DIRECTION
6. CONTRACTOR SHALL TAKE FIELD SLOPE MEASUREMENTS ON FINISHED SUBGRADE AND FORM BOARDS PRIOR TO PLACING PAVEMENT TO VERIFY THAT ADA SLOPE REQUIREMENTS ARE PROVIDED. CONTRACTOR SHALL CONTACT ENGINEER OF RECORD PRIOR TO PAVING IF ANY EXCESSIVE SLOPES ARE ENCOUNTERED. NO CONTRACTOR CHANGE ORDERS WILL BE ACCEPTED FOR ADA SLOPE COMPLIANCE ISSUES.



811 Know what's below. Call before you dig.

CALL UTILITY NOTIFICATION CENTER OF COLORADO
1-800-922-1987
CALL 2-BUSINESS DAYS IN ADVANCE BEFORE YOU DIG, GRADE, OR EXCAVATE FOR THE MARKING OF UNDERGROUND MEMBER UTILITIES.

Kimley»Horn
 2024 KIMLEY-HORN AND ASSOCIATES, INC.
 2 North Nevada Avenue Suite 900
 Colorado Springs, Colorado 80903 (719) 453-0180

DESIGNED BY: E.JG
 DRAWN BY: RES
 CHECKED BY: E.JG
 DATE: 5/6/2024

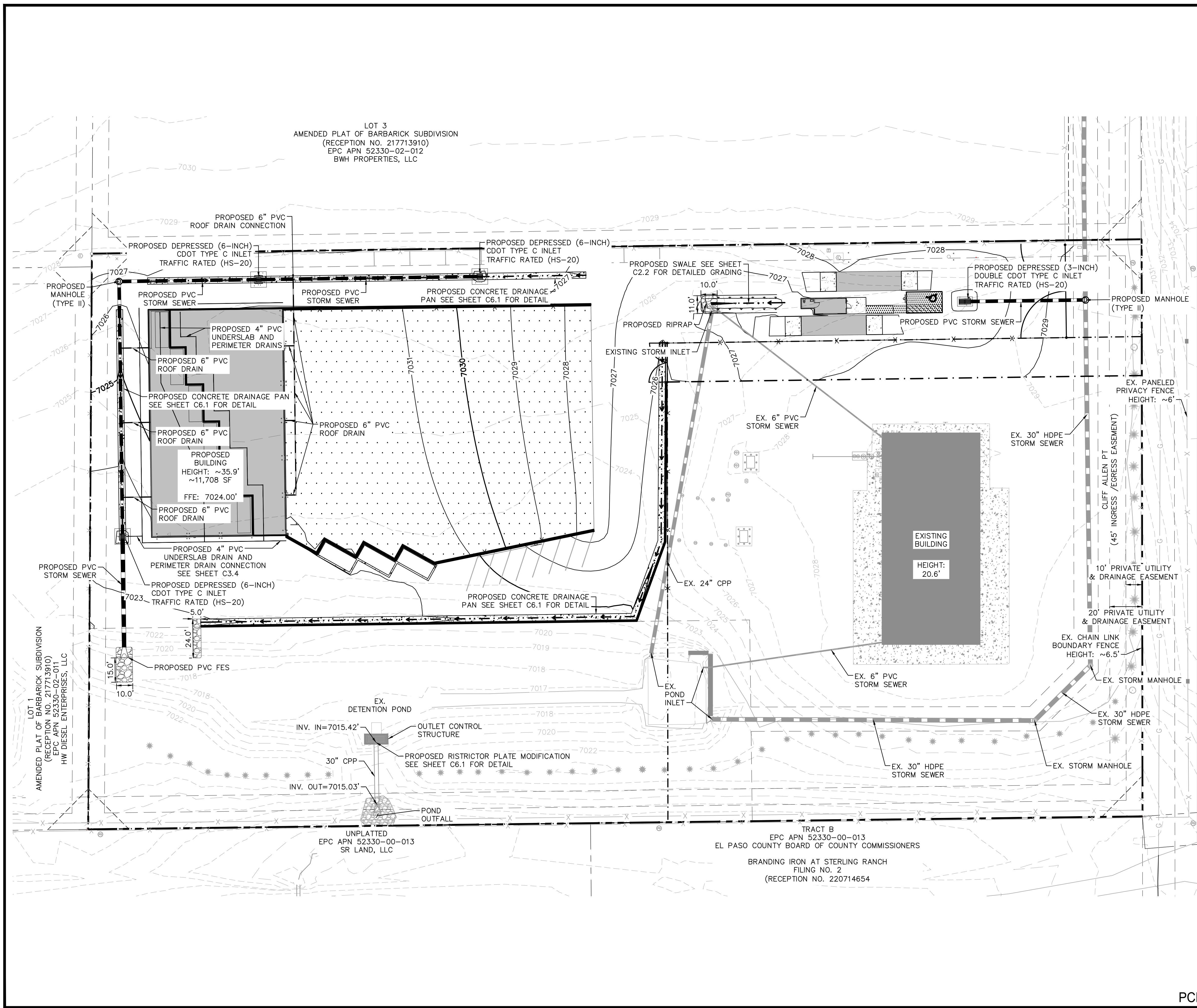
BARBARICK WASTE TRANSFER STATION
 EL PASO COUNTY, COLORADO
 CONSTRUCTION DOCUMENTS
DETAILED GRADING PLAN

COLORADO REGISTERED PROFESSIONAL ENGINEER
 49487
 05/08/2024

PROJECT NO. 196489000
 SHEET C2.2

PCD FILE NO. COM2346

K:\COS_Civil\196489000_Barbarick Waste Transfer\CADD\PlanSheets\CDs\CD_OVR_STRM_196489000.dwg Schmelbach, Ryan 5/7/2024 10:07 AM



LOT 3
AMENDED PLAT OF BARBARICK SUBDIVISION
(RECEPTION NO. 217713910)
EPC APN 52330-02-012
BWH PROPERTIES, LLC

LOT 1
AMENDED PLAT OF BARBARICK SUBDIVISION
(RECEPTION NO. 217713910)
EPC APN 52330-02-011
HW DIESEL ENTERPRISES, LLC

UNPLATTED
EPC APN 52330-00-013
SR LAND, LLC

TRACT B
EPC APN 52330-00-013
EL PASO COUNTY BOARD OF COUNTY COMMISSIONERS
BRANDING IRON AT STERLING RANCH
FILING NO. 2
(RECEPTION NO. 220714654)

LEGEND

- PROPERTY LINE
- LEASED PARCEL BOUNDARY
- EXISTING UTILITY & DRAINAGE EASEMENT
- EXISTING FENCE
- EXISTING STORM SEWER
- EXISTING GAS MAIN
- EXISTING VEGETATION
- EXISTING TRANSFORMER
- PROPOSED FLOW LINE
- PROPOSED STORM SEWER
- PROPOSED PERIMETER/UNDERSLAB DRAIN
- PROPOSED STORM INLET
- PROPOSED ASPHALT
- PROPOSED CONCRETE

NOTES

1. SEE SHEETS C3.1 - C3.3 FOR DETAILED STORM PLAN AND PROFILES
2. SEE SHEET C3.4 FOR DETAILED DRAIN PLAN
3. SEE SHEET C6.0 FOR INLET AND MANHOLE DETAILS
4. SEE SHEET C6.1 FOR CONCRETE DRAINAGE PAN DETAIL
5. ALL PROPOSED STORMWATER INFRASTRUCTURE DEPICTED ON THESE PLANS IS TO BE PRIVATELY OWNED AND MAINTAINED UNLESS OTHERWISE NOTED

CAUTION NOTE

1. CONTRACTOR SHALL MAINTAIN 1.5' OF VERTICAL SEPARATION AT ALL WET UTILITY CROSSINGS.
2. CONTRACTOR SHALL MAINTAIN 1.0' OF VERTICAL SEPARATION AT ALL DRY UTILITY CROSSINGS.

Kimley»Horn
2024 KIMLEY-HORN AND ASSOCIATES, INC.
2 North Nevada Avenue Suite 900
Colorado Springs, Colorado 80903 (719) 453-0180

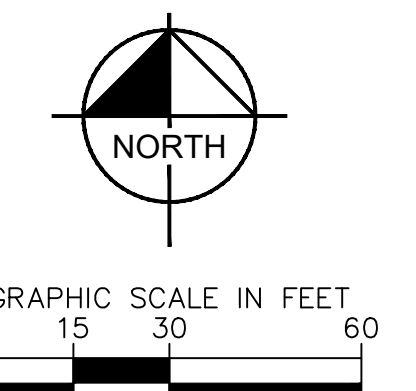
DESIGNED BY: EJK
DRAWN BY: RES
CHECKED BY: EJK
DATE: 5/6/2024

BARBARICK WASTE TRANSFER STATION
EL PASO COUNTY, COLORADO
CONSTRUCTION DOCUMENTS
OVERALL STORM PLAN



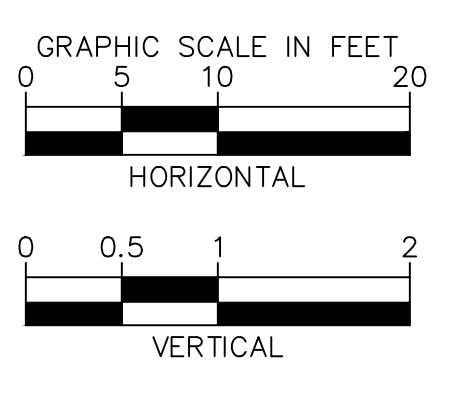
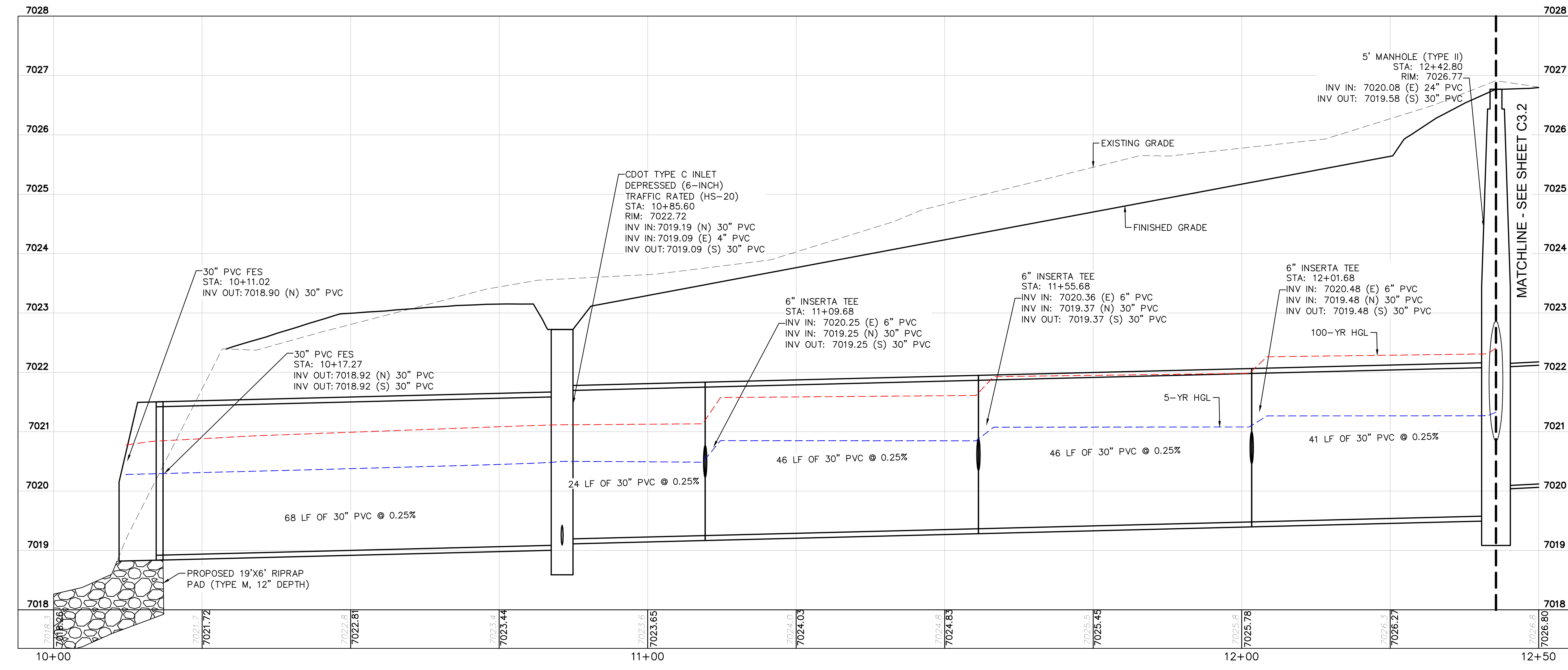
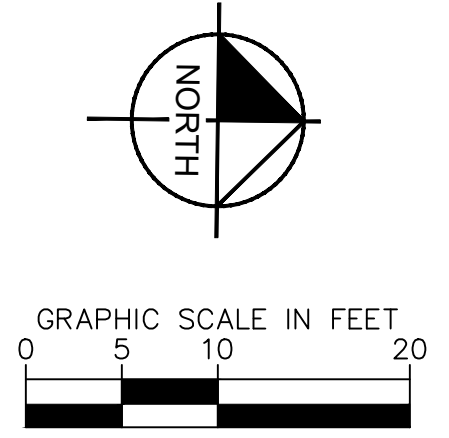
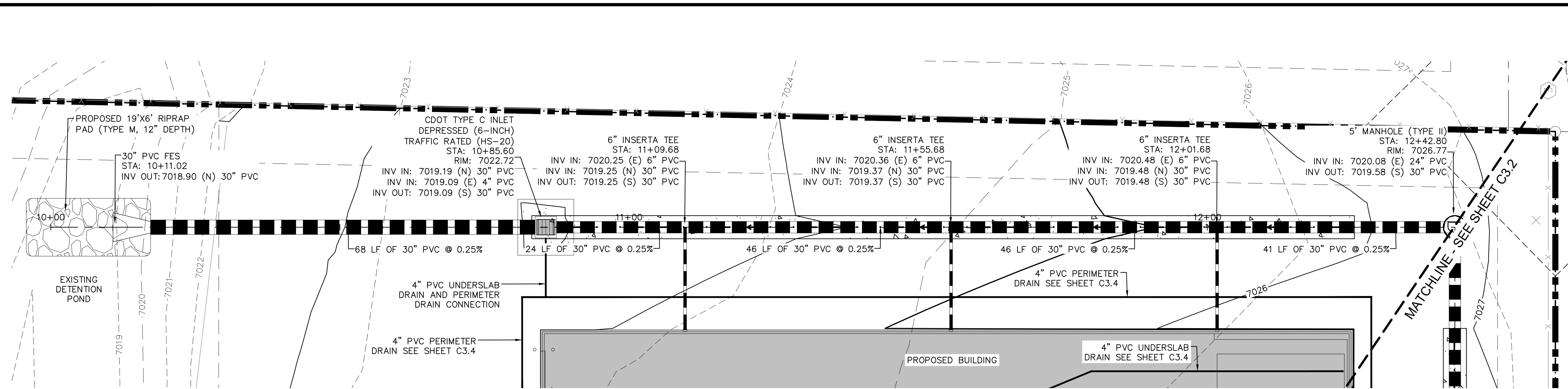
PROJECT NO.
196489000

SHEET
C3.0



PCD FILE NO. COM2346

K:\COS_Civil\196489000_Barbarick Waste Transfer\CADD\PlanSheets\CDs\CD_STRM P&P-196489000.dwg Schmelbach, Ryan 5/7/2024 10:07 AM



NOTES

- SEE SHEET C3.4 FOR DETAILED DRAIN PLAN
- ALL PROPOSED STORM INFRASTRUCTURE DEPICTED ON THESE PLANS IS TO BE PRIVATELY OWNED AND MAINTAINED UNLESS OTHERWISE NOTED
- ADD WATER TIGHT JOINT WHEN 100-YEAR HGL SHOWS PIPE FULLY INUNDATED

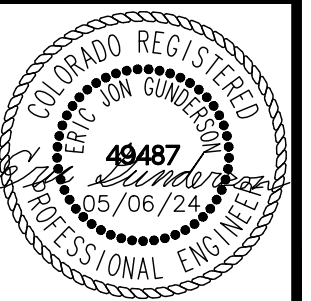
CAUTION NOTE ⚠

- CONTRACTOR SHALL MAINTAIN 1.5' OF VERTICAL SEPARATION AT ALL WET UTILITY CROSSINGS.
- CONTRACTOR SHALL MAINTAIN 1.0' OF VERTICAL SEPARATION AT ALL DRY UTILITY CROSSINGS.

Kimley»Horn
2024 KIMLEY-HORN AND ASSOCIATES, INC.
2 North Nevada Avenue Suite 900
Colorado Springs, Colorado 80903 (719) 453-0180

DESIGNED BY: E.J.G.
DRAWN BY: RES
CHECKED BY: E.J.G.
DATE: 5/6/2024

BARBARICK WASTE TRANSFER STATION
EL PASO COUNTY, COLORADO
CONSTRUCTION DOCUMENTS
STORM PLAN & PROFILE



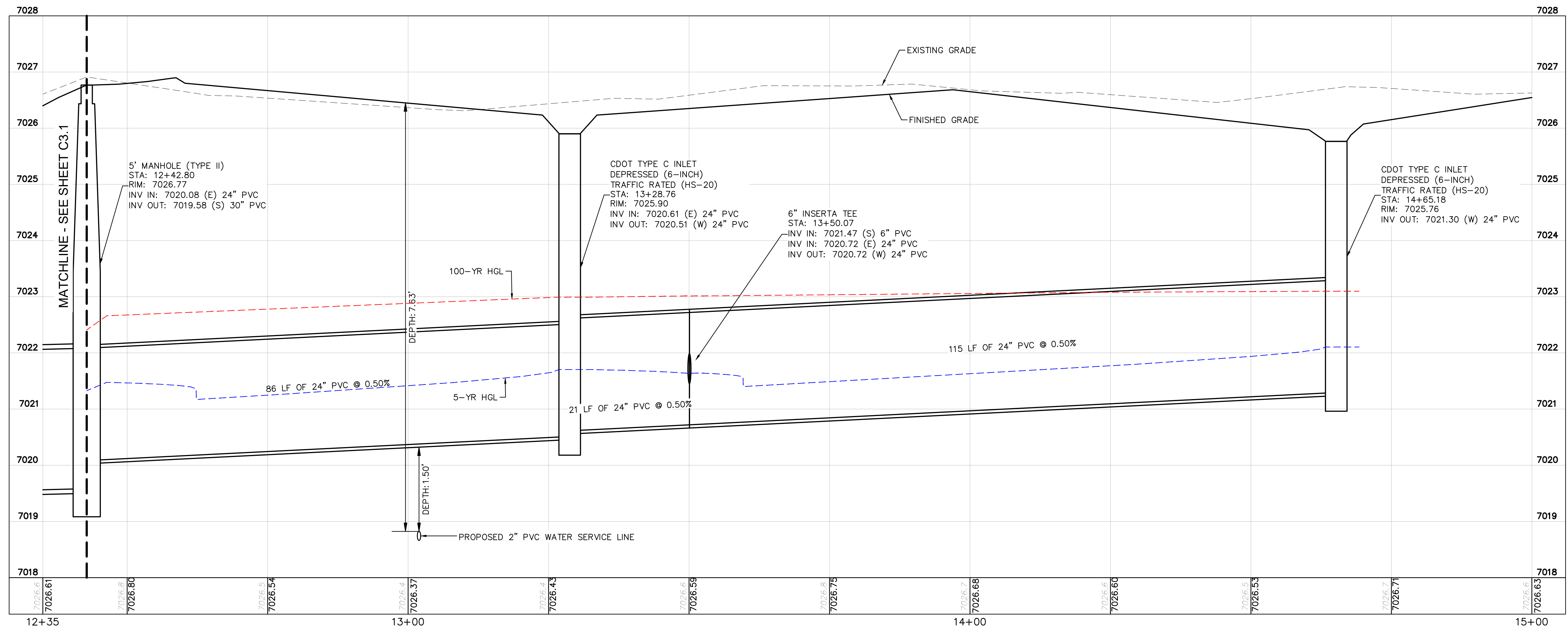
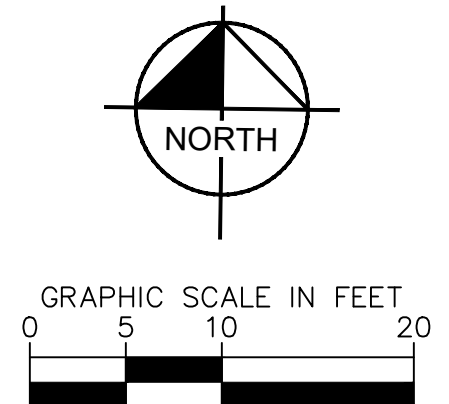
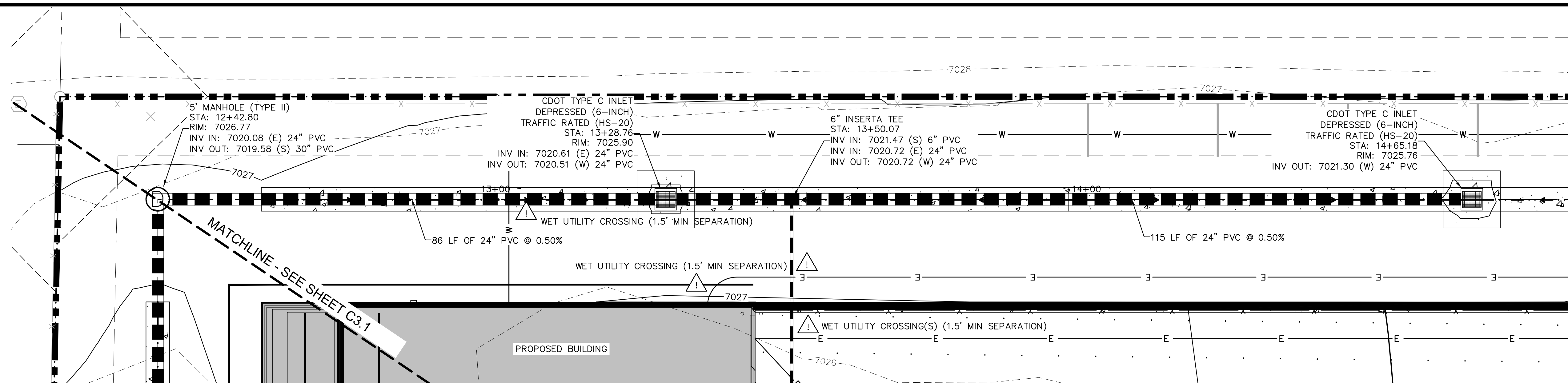
PROJECT NO.
196489000

SHEET
C3.1



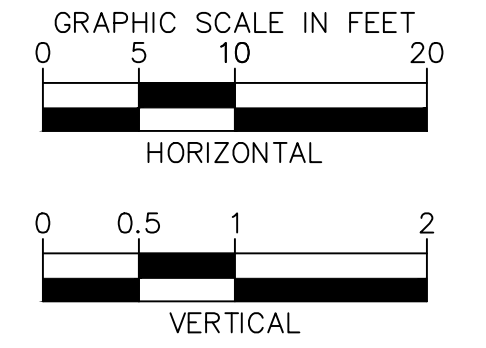
PCD FILE NO. COM2346

K:\COS_Civil\196489000_Barbarick Waste Transfer\CADD\PlanSheets\CDS\CD_STRM P&P-196489000.dwg Schmelbach, Ryan 5/7/2024 10:07 AM



- NOTES**
- SEE SHEET C3.4 FOR DETAILED DRAIN PLAN
 - ALL PROPOSED STORM INFRASTRUCTURE DEPICTED ON THESE PLANS IS TO BE PRIVATELY OWNED AND MAINTAINED UNLESS OTHERWISE NOTED
 - ADD WATER TIGHT JOINT WHEN 100-YEAR HGL SHOWS PIPE FULLY INUNDATED

- CAUTION NOTE**
- CONTRACTOR SHALL MAINTAIN 1.5' OF VERTICAL SEPARATION AT ALL WET UTILITY CROSSINGS.
 - CONTRACTOR SHALL MAINTAIN 1.0' OF VERTICAL SEPARATION AT ALL DRY UTILITY CROSSINGS.



811 Know what's below. Call before you dig.
CALL UTILITY NOTIFICATION CENTER OF COLORADO 1-800-922-1987
CALL 2-BUSINESS DAYS IN ADVANCE BEFORE YOU DIG, GRADE, OR EXCAVATE FOR THE MARKING OF UNDERGROUND MEMBER UTILITIES.

Kimley»Horn
2024 KIMLEY-HORN AND ASSOCIATES, INC.
2 North Nevada Avenue Suite 900
Colorado Springs, Colorado 80903 (719) 453-0180

DESIGNED BY: E:JG
DRAWN BY: RES
CHECKED BY: E:JG
DATE: 5/6/2024

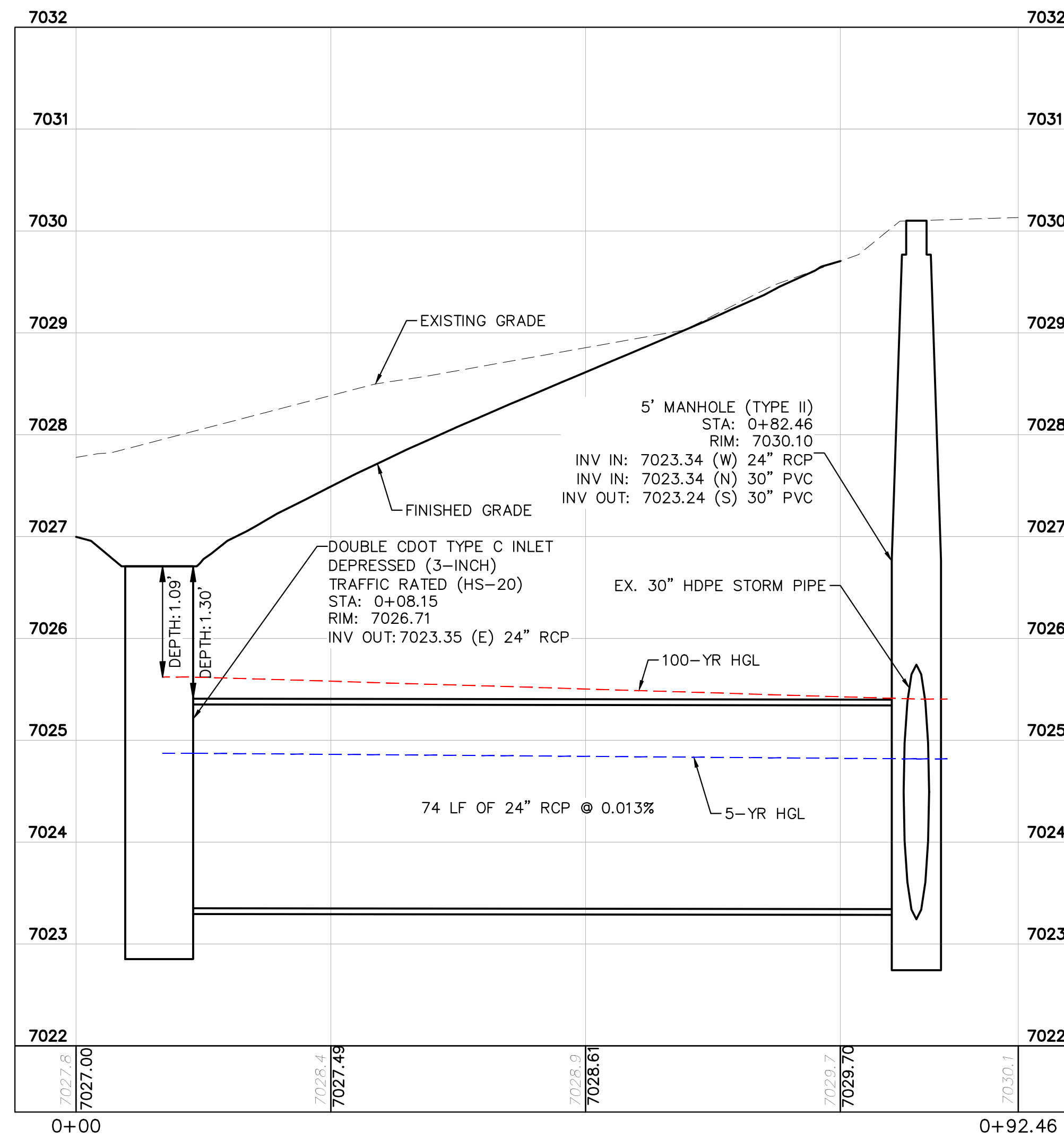
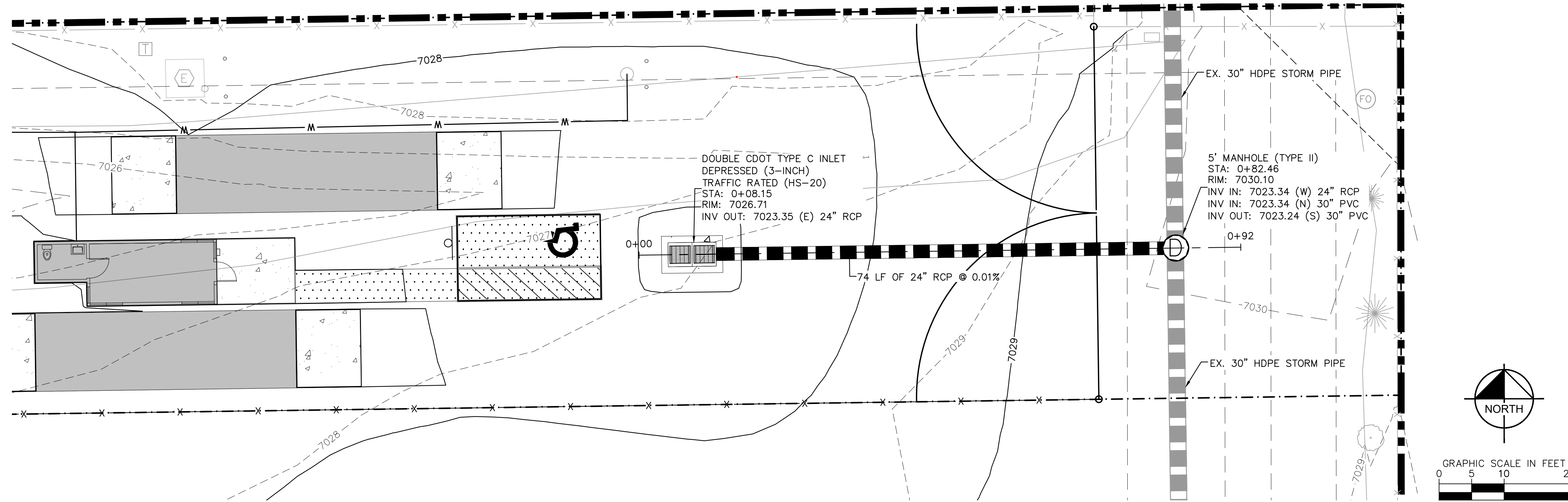
BARBARICK WASTE TRANSFER STATION
EL PASO COUNTY, COLORADO
CONSTRUCTION DOCUMENTS
STORM PLAN & PROFILE



PROJECT NO. 196489000
SHEET C3.2

PCD FILE NO. COM2346

K:\COS_Civil\196489000_Barbarick Waste Transfer\CADD\PlanSheets\CDs\CD_STRM P&P-196489000.dwg Schmelbach, Ryan 5/7/2024 10:07 AM

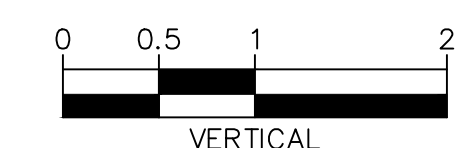
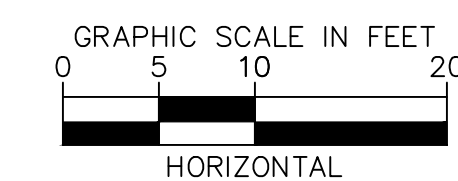


NOTES

- SEE SHEET C3.4 FOR DETAILED DRAIN PLAN
- ALL PROPOSED STORM INFRASTRUCTURE DEPICTED ON THESE PLANS IS TO BE PRIVATELY OWNED AND MAINTAINED UNLESS OTHERWISE NOTED
- ADD WATER TIGHT JOINT WHEN 100-YEAR HGL SHOWS PIPE FULLY INUNDATED

CAUTION NOTE ⚠

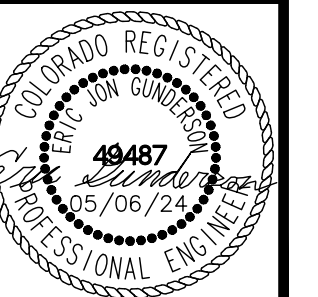
- CONTRACTOR SHALL MAINTAIN 1.5' OF VERTICAL SEPARATION AT ALL WET UTILITY CROSSINGS.
- CONTRACTOR SHALL MAINTAIN 1.0' OF VERTICAL SEPARATION AT ALL DRY UTILITY CROSSINGS.



Kimley»Horn
2024 KIMLEY-HORN AND ASSOCIATES, INC.
2 North Nevada Avenue Suite 900
Colorado Springs, Colorado 80903 (719) 453-0180

DESIGNED BY: E.J.G.
DRAWN BY: RES
CHECKED BY: E.J.G.
DATE: 5/6/2024

BARBARICK WASTE TRANSFER STATION
EL PASO COUNTY, COLORADO
CONSTRUCTION DOCUMENTS
STORM PLAN & PROFILE



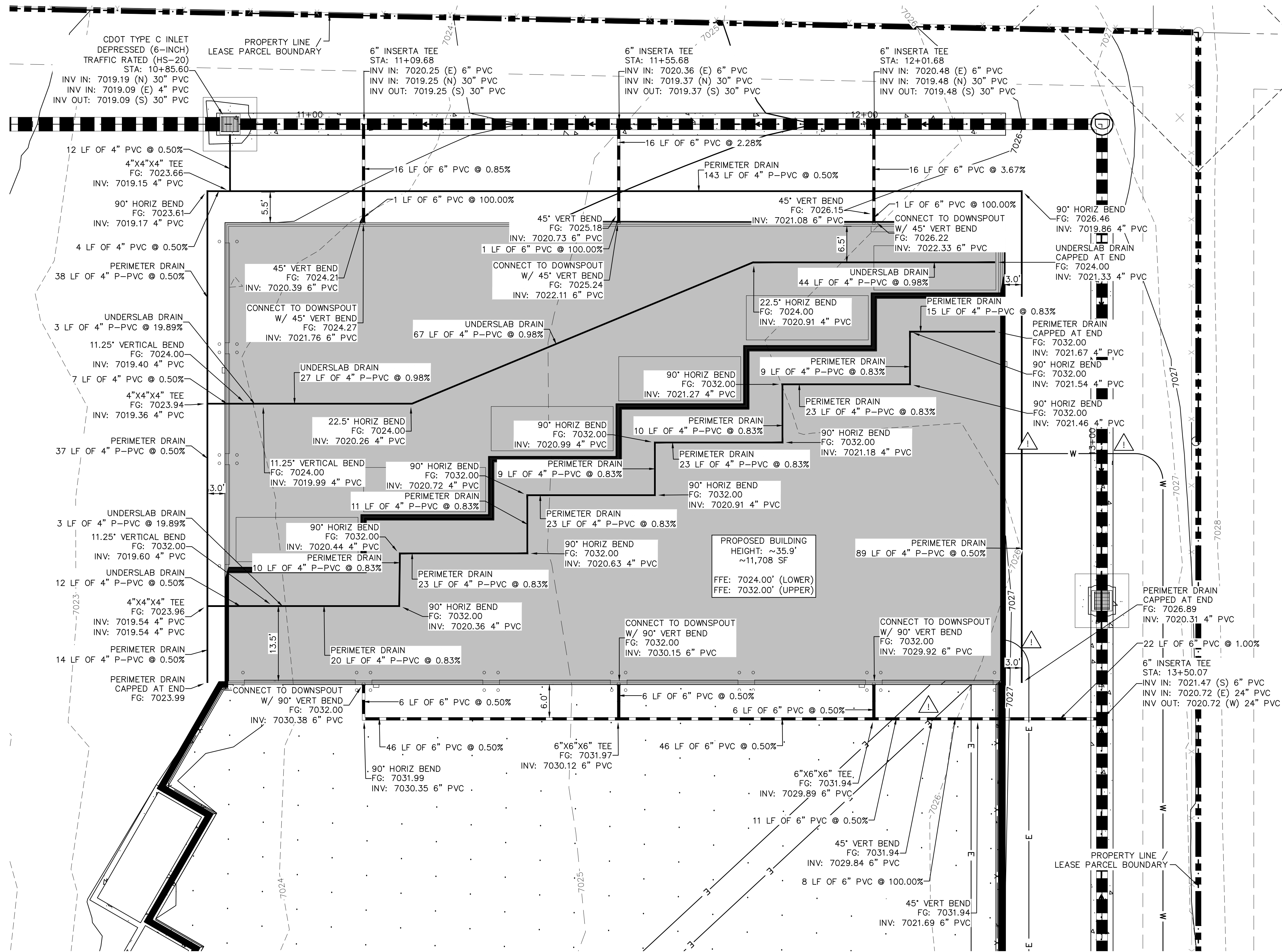
PROJECT NO.
196489000

SHEET

C3.3

PCD FILE NO. COM2346

K:\COS_Civil\196489000_Barbarick Waste Transfer\Transfer\CADD\PlanSheets\CDs\CD_STRM_RD-196489000.dwg Schnellbach, Ryan 5/7/2024 10:07 AM



LEGEND

- PROPERTY LINE
- - - LEASED PARCEL BOUNDARY
- - - EXISTING UTILITY & DRAINAGE EASEMENT
- - - EXISTING FENCE
- X — EXISTING STORM SEWER
- G — EXISTING GAS MAIN
- ⊙ EXISTING VEGETATION
- ⊙ EXISTING TRANSFORMER
- PROPOSED FLOW LINE
- PROPOSED STORM SEWER
- PROPOSED PERIMETER / UNDERSLAB DRAIN
- PROPOSED STORM INLET
- PROPOSED ASPHALT
- PROPOSED CONCRETE

NOTES

1. SEE SHEETS C3.1 - C3.3 FOR DETAILED STORM PLAN AND PROFILES
2. ALL PROPOSED STORM INFRASTRUCTURE DEPICTED ON THESE PLANS IS TO BE PRIVATELY OWNED AND MAINTAINED UNLESS OTHERWISE NOTED
3. SEE SHEET C6.0 FOR ROOF DRAIN CONNECTION DETAIL
4. PERIMETER AND UNDERSLAB DRAINS ARE TO BE PERFORATED PVC (P-PVC) AND SHALL BE INSTALLED WITHIN A FREE-DRAINING LAYER (3/4" CLEAN GRAVEL).

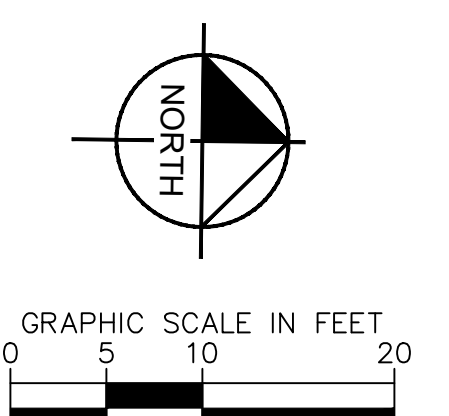
CAUTION NOTE

1. CONTRACTOR SHALL MAINTAIN 1.5' OF VERTICAL SEPARATION AT ALL WET UTILITY CROSSINGS.
2. CONTRACTOR SHALL MAINTAIN 1.0' OF VERTICAL SEPARATION AT ALL DRY UTILITY CROSSINGS.

Kimley»Horn
2024 KIMLEY-HORN AND ASSOCIATES, INC.
2 North Nevada Avenue Suite 900
Colorado Springs, Colorado 80903 (719) 453-0180

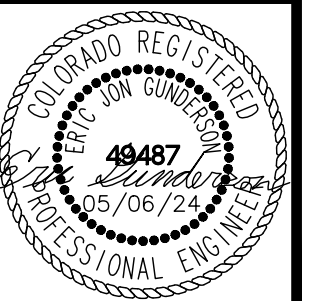
DESIGNED BY: EJM
DRAWN BY: RES
CHECKED BY: EJM
DATE: 5/6/2024

BARBARICK WASTE TRANSFER STATION
EL PASO COUNTY, COLORADO
CONSTRUCTION DOCUMENTS
DRAIN PLAN



811 Know what's below.
Call before you dig.

CALL UTILITY NOTIFICATION
CENTER OF COLORADO
1-800-922-1987
CALL 2-BUSINESS DAYS IN ADVANCE
BEFORE YOU DIG, GRADE, OR EXCAVATE
FOR THE MARKING OF UNDERGROUND
MEMBER UTILITIES.



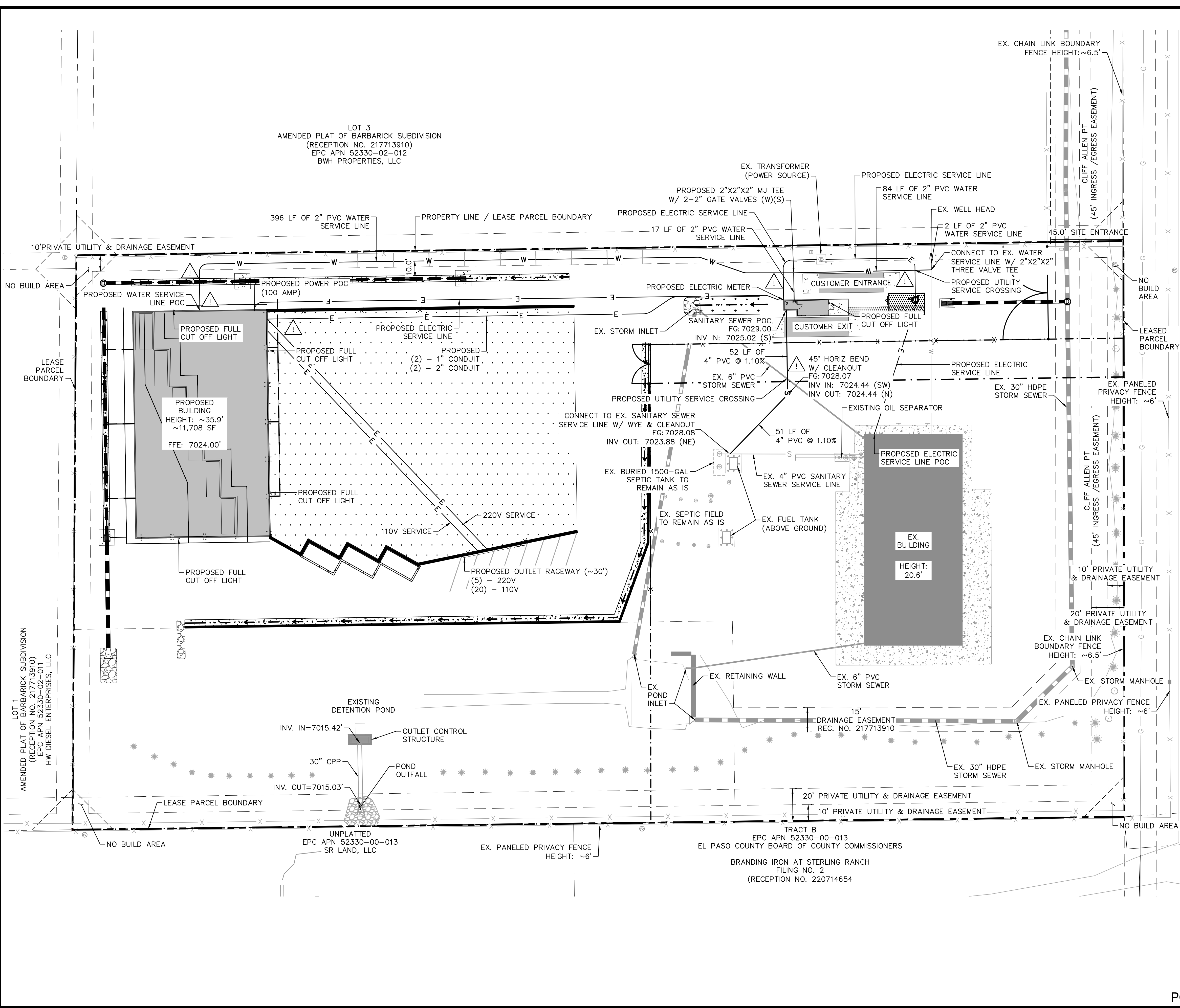
PROJECT NO.
196489000

SHEET

C3.4

PCD FILE NO. COM2346

K:\COS_Civil\196489000_Barbarick Waste Transfer\CADD\PlanSheets\CDs\CD_UT.dwg Schnelboch, Ryan 5/7/2024 10:08 AM



LEGEND

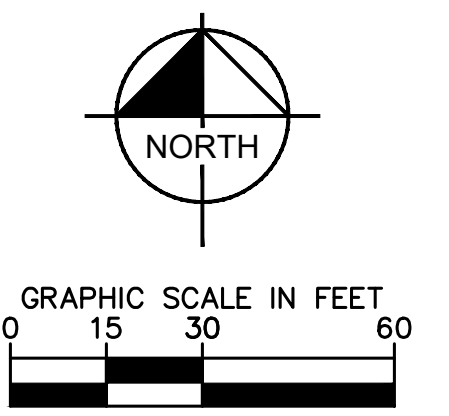
- PROPERTY LINE
- LEASED PARCEL BOUNDARY
- EX. UTILITY & DRAINAGE EASEMENT
- EX. FENCE
- EX. STORM SEWER
- EX. GAS MAIN
- EX. VEGETATION
- EX. TRANSFORMER
- PROPOSED WATER SERVICE LINE
- PROPOSED SEPTIC SERVICE LINE
- PROPOSED ELECTRIC SERVICE LINE
- PROPOSED STORM SEWER
- PROPOSED ASPHALT
- PROPOSED CONCRETE

NOTES

1. ALL CONDITIONS SHOWN TO BE "EX." SHALL BE VERIFIED IN THE FIELD BY THE GENERAL CONTRACTOR PRIOR TO START OF CONSTRUCTION. ANY DISCREPANCIES SHALL BE SUBMITTED TO THE OWNER AND THE ENGINEER FOR REVIEW. CHANGES TO THE ORIGINAL DESIGN MUST BE APPROVED BY BOTH THE OWNER AND THE ENGINEER PRIOR TO MAKING ANY CHANGES.
2. ALL WATER SERVICE LINES SHALL MAINTAIN A BURY DEPTH OF 6'-7'.
3. EXISTING INFLUENT SEPTIC SEWER LINE IS TO BE POTHOLED PRIOR TO SERVICE LINE CONNECTION AT THE EXISTING SEPTIC TANK.
4. PROPOSED SANITARY SEWER LINE IS TO BE 4" SCH 40 PVC

CAUTION NOTE

1. CONTRACTOR SHALL MAINTAIN 1.5' OF VERTICAL SEPARATION AT ALL WET UTILITY CROSSINGS.
2. CONTRACTOR SHALL MAINTAIN 1.0' OF VERTICAL SEPARATION AT ALL DRY UTILITY CROSSINGS.



CALL UTILITY NOTIFICATION CENTER OF COLORADO 1-800-922-1987 CALL 2-BUSINESS DAYS IN ADVANCE BEFORE YOU DIG, GRADE, OR EXCAVATE FOR THE MARKING OF UNDERGROUND MEMBER UTILITIES.



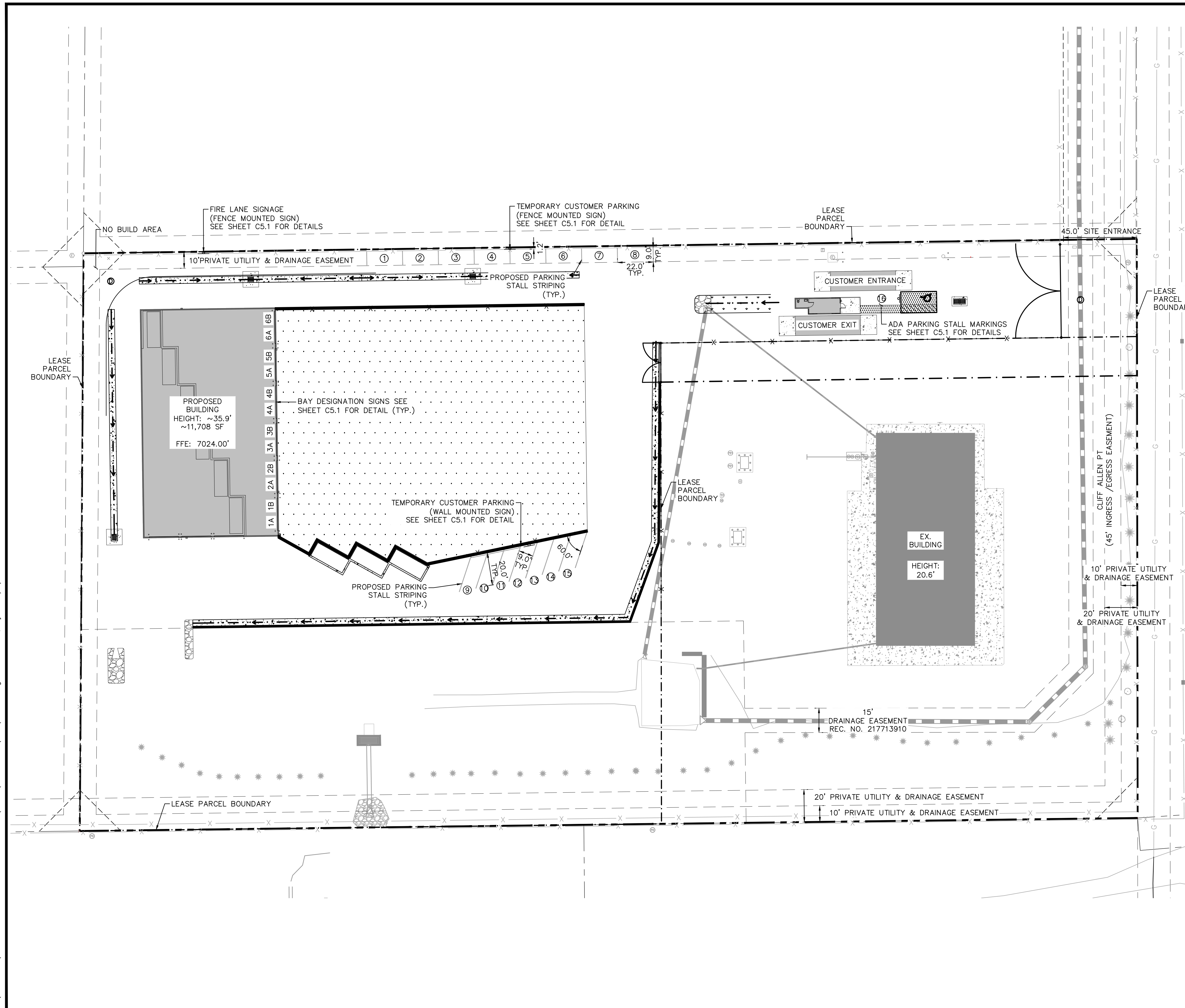
DESIGNED BY: E/JG
DRAWN BY: RES
CHECKED BY: E/JG
DATE: 5/6/2024

BARBARICK WASTE TRANSFER STATION
EL PASO COUNTY, COLORADO
CONSTRUCTION DOCUMENTS
UTILITY PLAN



PROJECT NO. 196489000
SHEET C4.0

K:\COS_Civil\196489000_Barbarick Waste Transfer\CADD\PlanSheets\CDS\CD_SS.dwg Schnelboch, Ryan 5/7/2024 10:08 AM



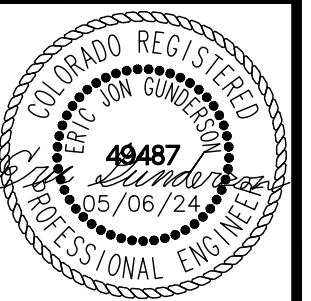
LEGEND

	PROPERTY LINE
	LEASED PARCEL BOUNDARY
	EX. UTILITY & DRAINAGE EASEMENT
	PROPOSED TRUCK TURN MOVEMENT
	EX. FENCE
	EX. STORM SEWER
	EX. GAS MAIN
	EX. VEGETATION
	EX. TRANSFORMER
	PROPOSED ASPHALT
	PROPOSED CONCRETE
	PROPOSED PARKING STALL

Kimley»Horn
 2024 KIMLEY-HORN AND ASSOCIATES, INC.
 2 North Nevada Avenue Suite 900
 Colorado Springs, Colorado 80903 (719) 453-0180

DESIGNED BY: E:JG
 DRAWN BY: RES
 CHECKED BY: E:JG
 DATE: 5/6/2024

BARBARICK WASTE TRANSFER STATION
 EL PASO COUNTY, COLORADO
 CONSTRUCTION DOCUMENTS
 SIGNAGE & STRIPING PLAN



PROJECT NO.
196489000

SHEET

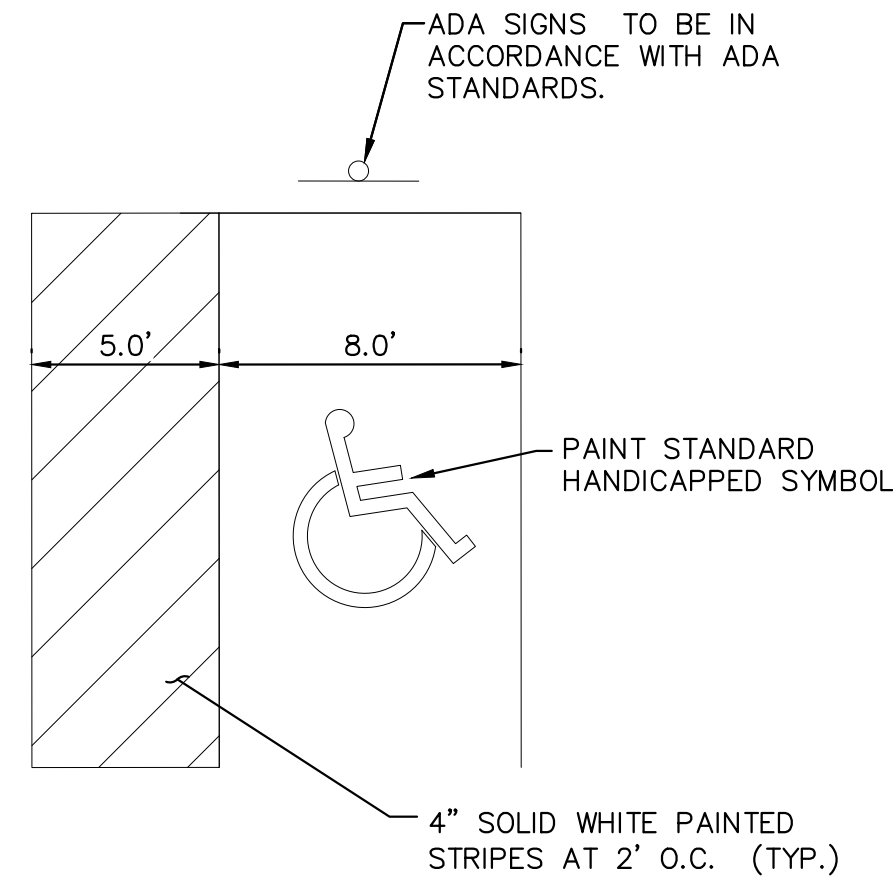
C5.0

811 Know what's below.
Call before you dig.

CALL UTILITY NOTIFICATION
 CENTER OF COLORADO
 1-800-922-1987
 CALL 2-BUSINESS DAYS IN ADVANCE
 BEFORE YOU DIG, GRADE, OR EXCAVATE
 FOR THE MARKING OF UNDERGROUND
 MEMBER UTILITIES.

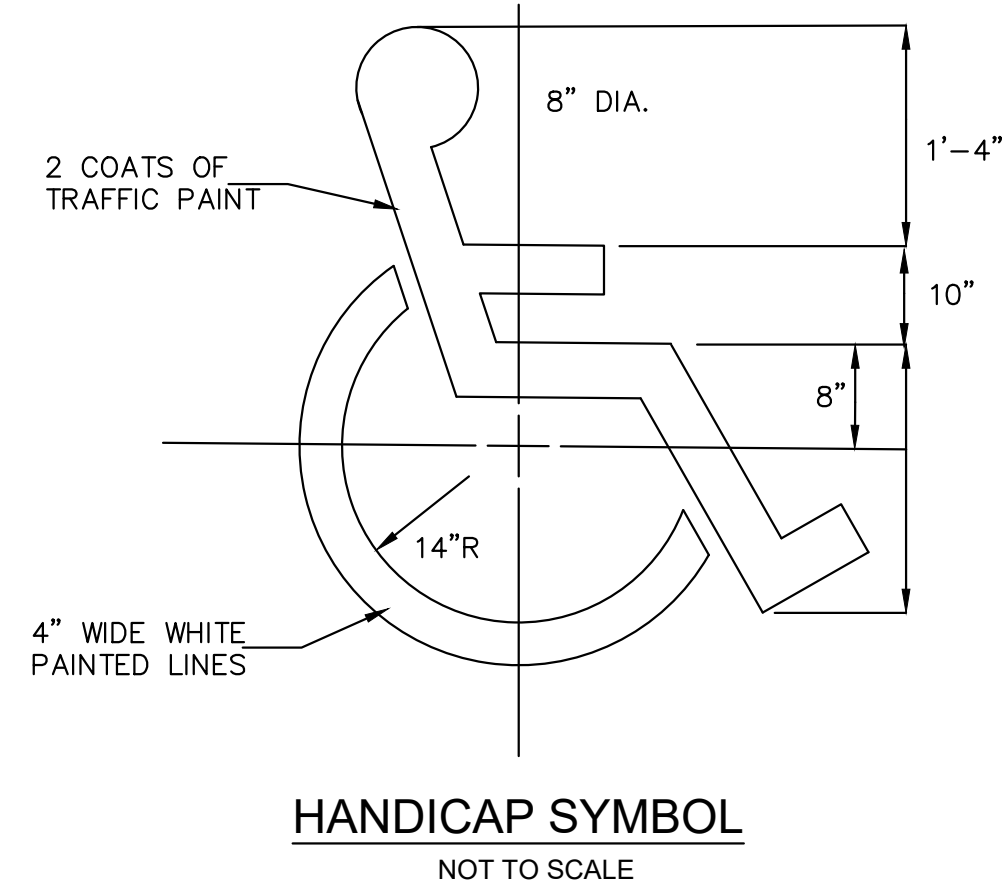
GRAPHIC SCALE IN FEET
 0 15 30 60

PCD FILE NO. COM2346

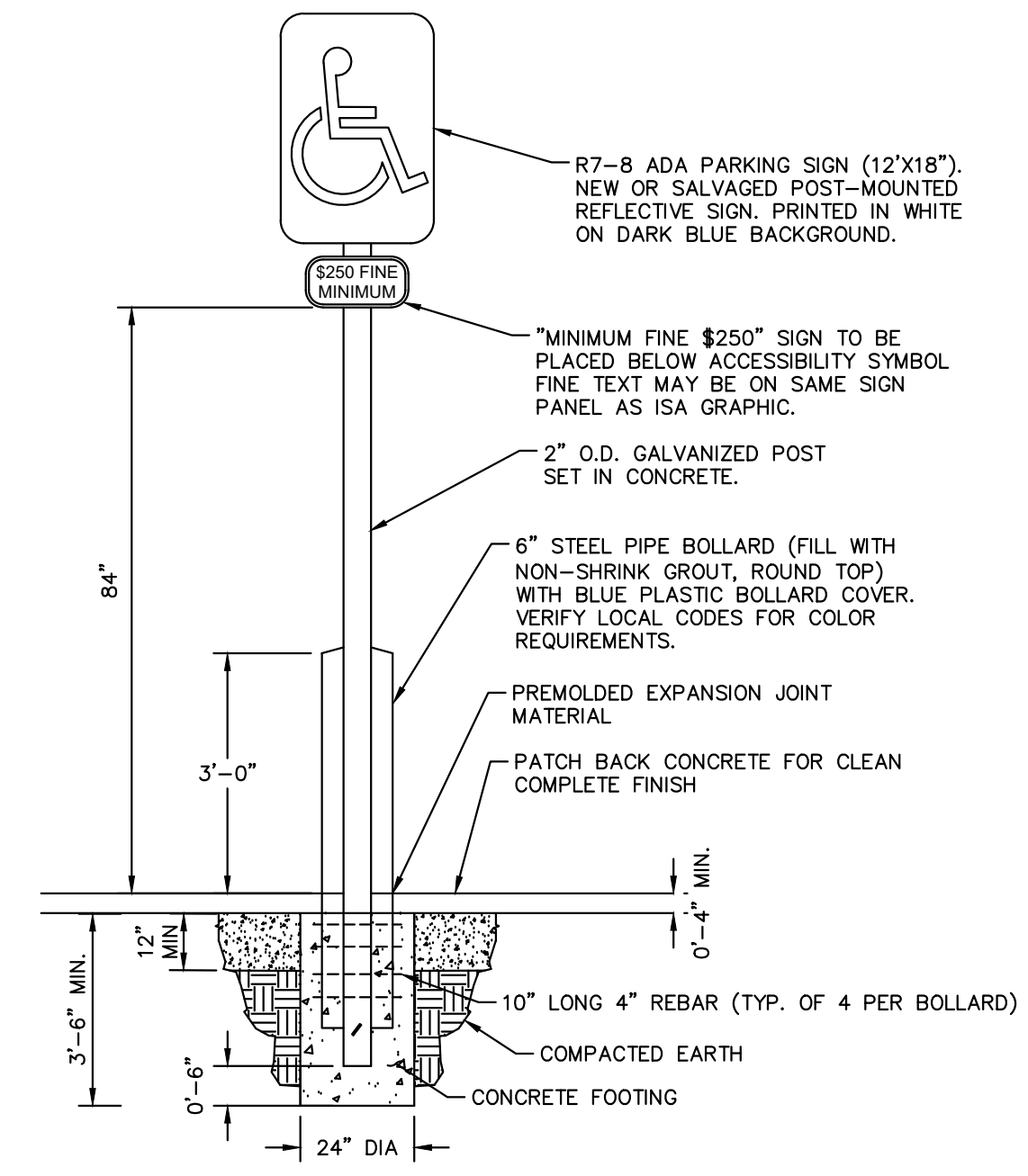


- NOTES:
- DIMENSIONS MAY VARY REFER TO SITE PLAN (SHEET C5.0).
 - SIGNAGE AND MARKINGS TO BE IN ACCORDANCE WITH FEDERAL, STATE AND LOCAL REGULATIONS.

ACCESSIBLE PARKING DETAIL
NOT TO SCALE



HANDICAP SYMBOL
NOT TO SCALE



ADA PARKING SIGN DETAILS
NOT TO SCALE

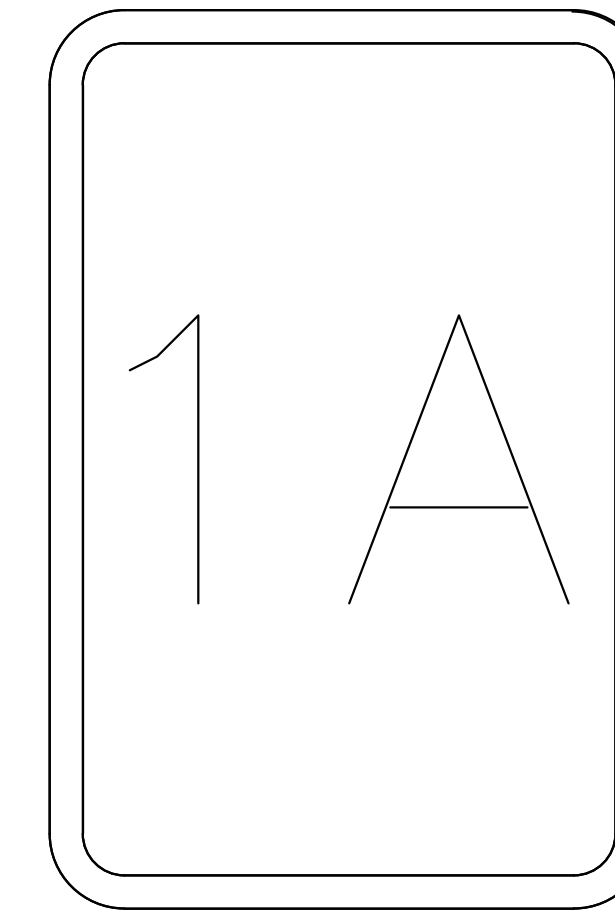


FIRE LANE SIGNAGE DETAIL
NOT TO SCALE

- NOTE:
- SIGN MUST HAVE A WHITE REFLECTIVE BACKGROUND WITH LETTERS AND BORDERS IN RED, USING NOT LESS THAN TWO INCH (2") LETTERING AND HAVE A MINIMUM DIMENSION OF TWELVE INCHES (12") WIDE BY EIGHTEEN INCHES (18") HIGH.
 - REFER TO THE COLORADO SPRINGS FIRE DEPARTMENT FIRE LANE STRIPING AND SIGNING HANDBOOK FOR ACCEPTABLE ALTERNATIVES AND REQUIREMENTS.
 - SIGN IS TO BE FENCE MOUNTED (CHAIN LINK FENCE).



CUSTOMER PARKING DETAIL
NOT TO SCALE



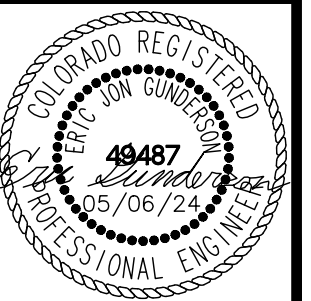
BAY DESIGNATION SIGN DETAIL
NOT TO SCALE



Kimley»Horn
2024 KIMLEY-HORN AND ASSOCIATES, INC.
2 North Nevada Avenue Suite 900
Colorado Springs, Colorado 80903 (719) 453-0180

DESIGNED BY: E.J.G.
DRAWN BY: RES
CHECKED BY: E.J.G.
DATE: 5/6/2024

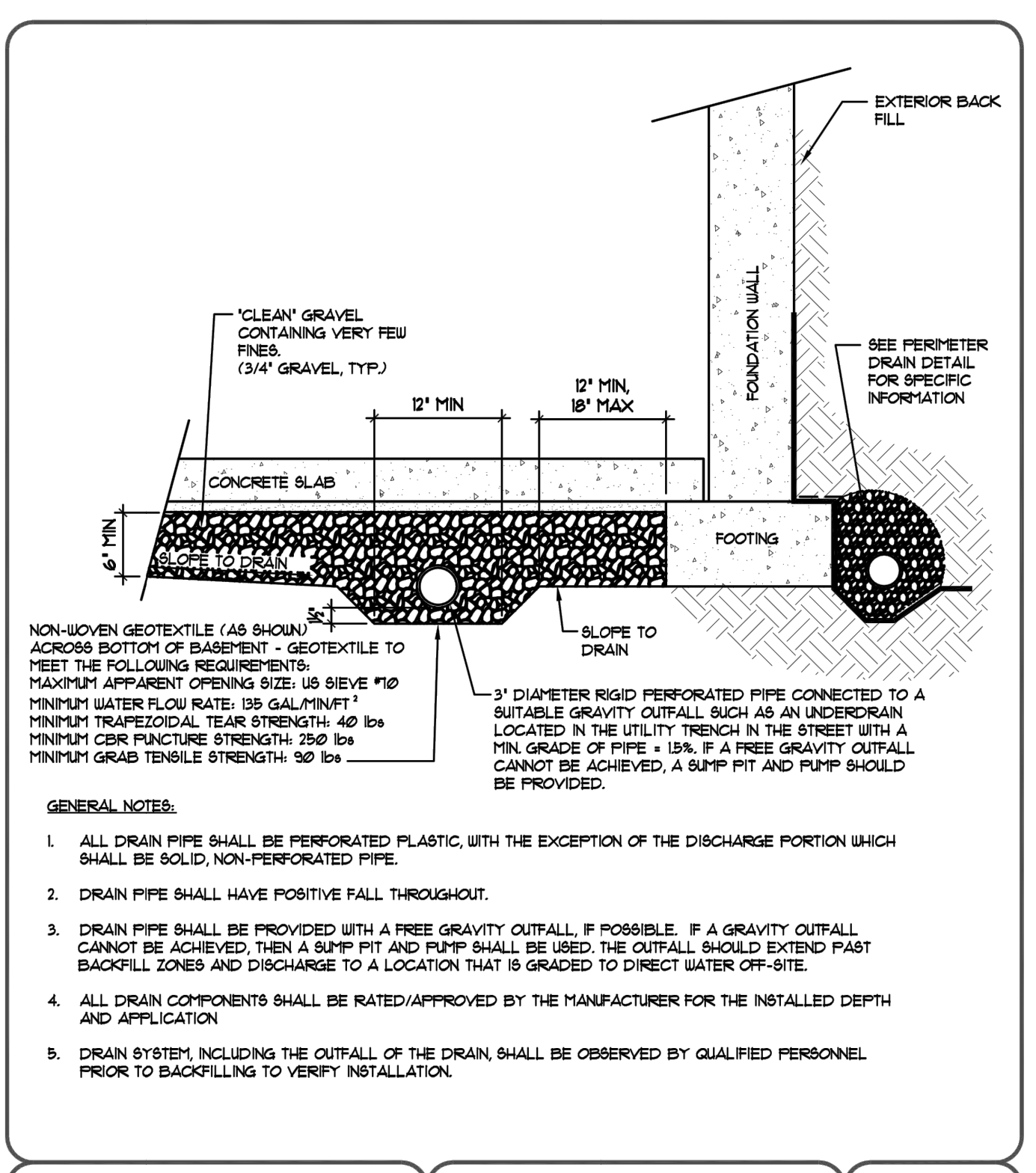
BARBARICK WASTE TRANSFER STATION
EL PASO COUNTY, COLORADO
CONSTRUCTION DOCUMENTS
SIGNAGE & STRIPING DETAILS



PROJECT NO.
196489000

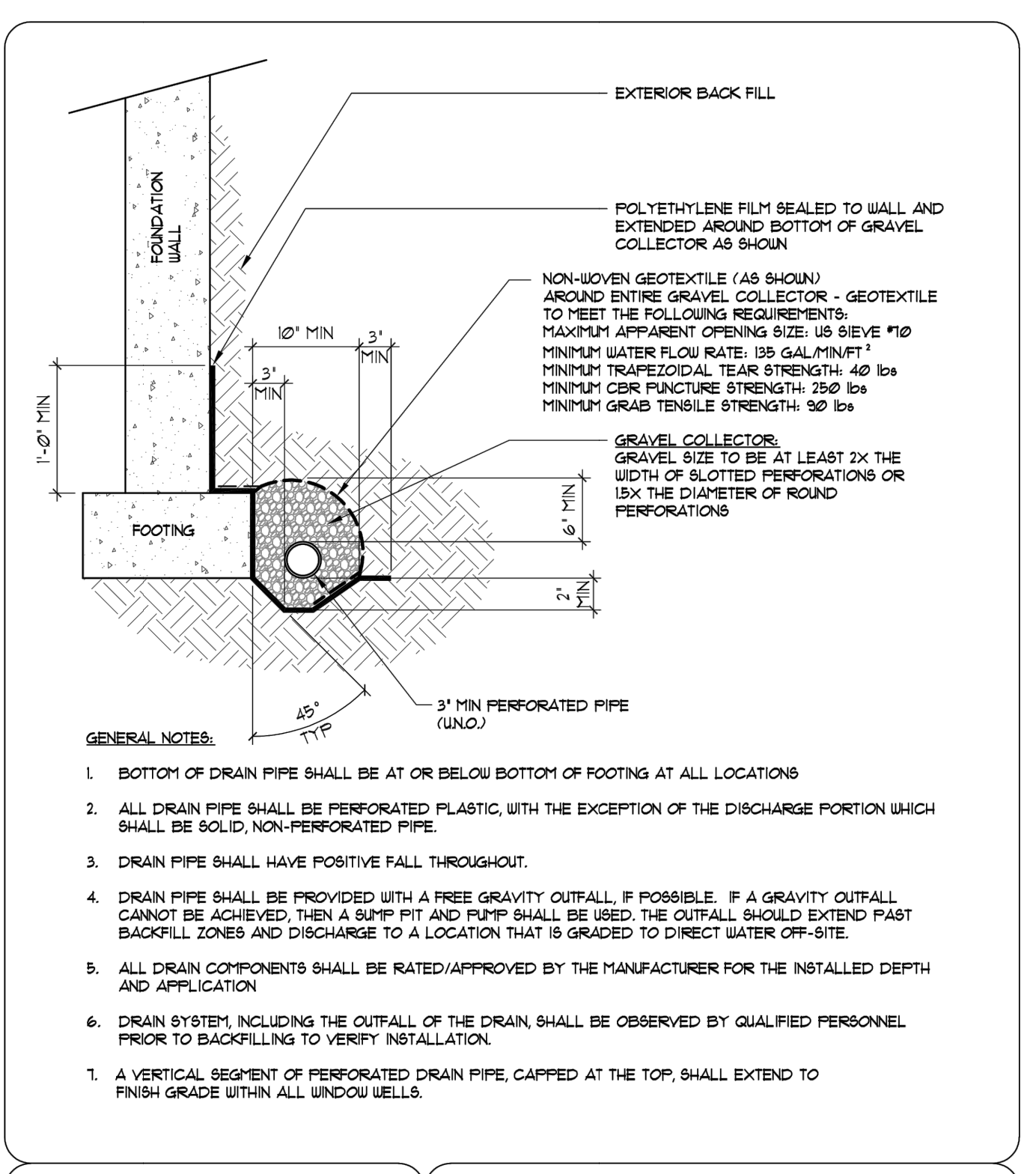
SHEET

C5.1



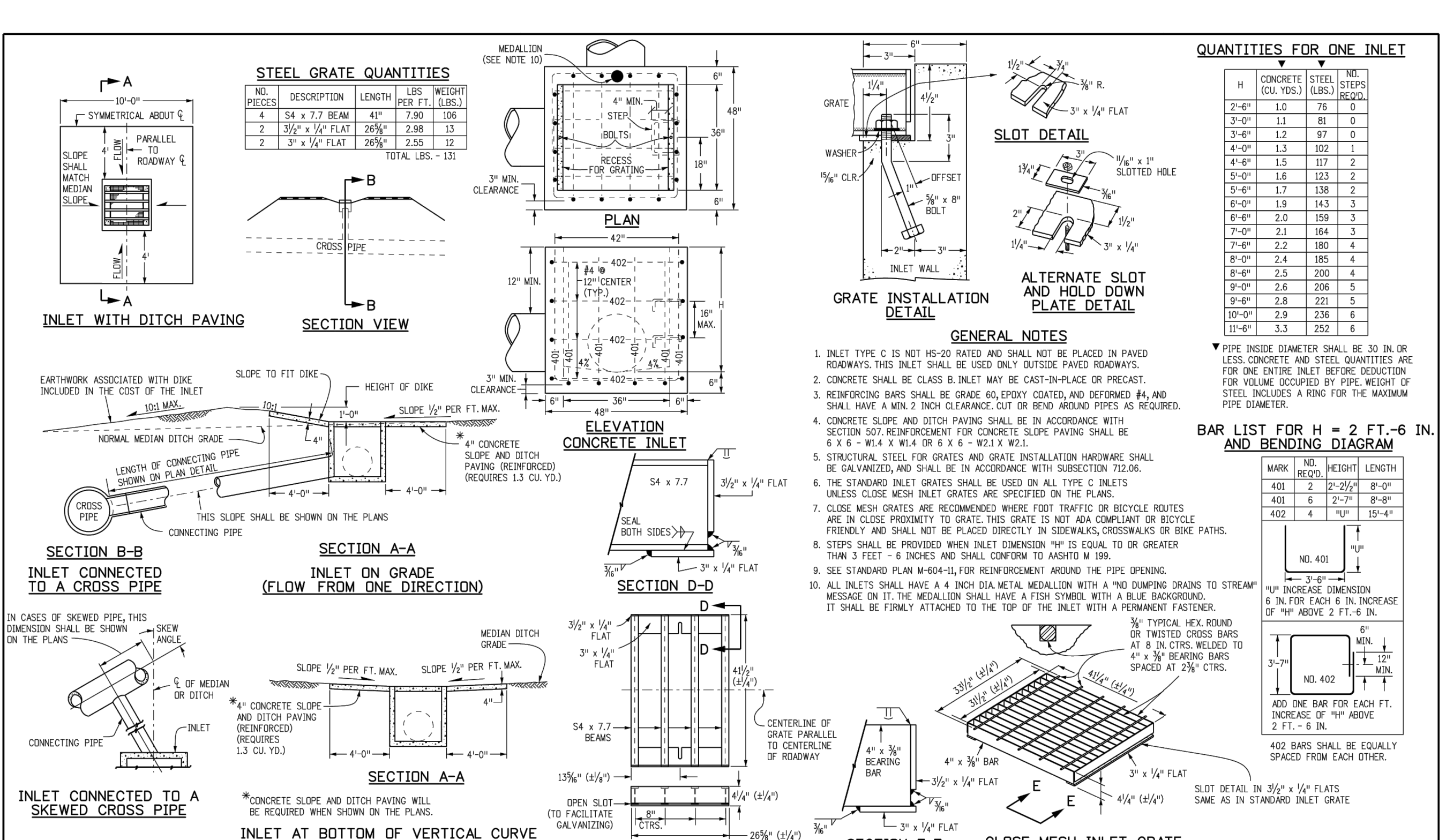
GENERAL NOTES:

- ALL DRAIN PIPE SHALL BE PERFORATED PLASTIC, WITH THE EXCEPTION OF THE DISCHARGE PORTION WHICH SHALL BE SOLID, NON-PERFORATED PIPE.
- DRAIN PIPE SHALL HAVE POSITIVE FALL THROUGHOUT.
- DRAIN PIPE SHALL BE PROVIDED WITH A FREE GRAVITY OUTFALL. IF POSSIBLE, IF A GRAVITY OUTFALL CANNOT BE ACHIEVED, THEN A SUMP PIT AND PUMP SHALL BE USED. THE OUTFALL SHOULD EXTEND PAST BACKFILL ZONES AND DISCHARGE TO A LOCATION THAT IS GRADED TO DIRECT WATER OFF-SITE.
- ALL DRAIN COMPONENTS SHALL BE RATED/APPROVED BY THE MANUFACTURER FOR THE INSTALLED DEPTH AND APPLICATION.
- DRAIN SYSTEM, INCLUDING THE OUTFALL OF THE DRAIN, SHALL BE OBSERVED BY QUALIFIED PERSONNEL PRIOR TO BACKFILLING TO VERIFY INSTALLATION.



GENERAL NOTES:

- BOTTOM OF DRAIN PIPE SHALL BE AT OR BELOW BOTTOM OF FOOTING AT ALL LOCATIONS.
- ALL DRAIN PIPE SHALL BE PERFORATED PLASTIC, WITH THE EXCEPTION OF THE DISCHARGE PORTION WHICH SHALL BE SOLID, NON-PERFORATED PIPE.
- DRAIN PIPE SHALL HAVE POSITIVE FALL THROUGHOUT.
- DRAIN PIPE SHALL BE PROVIDED WITH A FREE GRAVITY OUTFALL. IF POSSIBLE, IF A GRAVITY OUTFALL CANNOT BE ACHIEVED, THEN A SUMP PIT AND PUMP SHALL BE USED. THE OUTFALL SHOULD EXTEND PAST BACKFILL ZONES AND DISCHARGE TO A LOCATION THAT IS GRADED TO DIRECT WATER OFF-SITE.
- ALL DRAIN COMPONENTS SHALL BE RATED/APPROVED BY THE MANUFACTURER FOR THE INSTALLED DEPTH AND APPLICATION.
- DRAIN SYSTEM, INCLUDING THE OUTFALL OF THE DRAIN, SHALL BE OBSERVED BY QUALIFIED PERSONNEL PRIOR TO BACKFILLING TO VERIFY INSTALLATION.



GENERAL NOTES:

- INLET TYPE C IS NOT HS-20 RATED AND SHALL NOT BE PLACED IN PAVED ROADWAYS. THIS INLET SHALL BE USED ONLY OUTSIDE PAVED ROADWAYS.
- CONCRETE SHALL BE CLASS B INLET MAY BE CAST-IN-PLACE OR PRECAST.
- REINFORCING BARS SHALL BE GRADE 60 EPOXY COATED AND REFORMED #4, AND SHALL HAVE A MIN 2 INCH CLEARANCE CUT OR BEND AROUND PIPES AS REQUIRED.
- CONCRETE SLOPE AND DITCH PAVING SHALL BE IN ACCORDANCE WITH SECTION 507 REINFORCEMENT FOR CONCRETE SLOPE PAVING SHALL BE 6 X 6 - W1.4 X W1.4 OR 6 X 6 - W2.1 X W2.1.
- STRUCTURAL STEEL FOR GRATES AND GRATE INSTALLATION HARDWARE SHALL BE GALVANIZED, AND SHALL BE IN ACCORDANCE WITH SUBSECTION 712.06.
- THE STANDARD INLET GRATES SHALL BE USED ON ALL TYPE C INLETS UNLESS CLOSE MESH INLET GRATES ARE SPECIFIED ON THE PLANS.
- CLOSE MESH GRATES ARE RECOMMENDED WHERE FOOT TRAFFIC OR BICYCLE ROUTES ARE IN CLOSE PROXIMITY TO GRATE. THIS GRATE IS NOT ADA COMPLIANT OR BICYCLE FRIENDLY AND SHALL NOT BE PLACED DIRECTLY IN SIDEWALKS, CROSSWALKS OR SIDE PATHS.
- STEPS SHALL BE PROVIDED WHEN INLET DIMENSION IS EQUAL TO OR GREATER THAN 3 FEET - 6 INCHES AND SHALL CONFORM TO ASHRAU 109.
- SEE STANDARD PLAN M-604-H FOR REINFORCEMENT AROUND THE PIPE OPENING.
- ALL INLETS SHALL HAVE A 4 INCH DIA METAL MEDALLION WITH A #10 DRAMPING DRAINS TO STREAM MESSAGE ON IT. THE MEDALLION SHALL HAVE A FISH SYMBOL WITH A BLUE BACKGROUND. IT SHALL BE FIRMLY ATTACHED TO THE TOP OF THE INLET WITH A PERMANENT FASTENER.

11/17/23, 10:22 AM
AppF-19.png (2286x3044)
RMG ENGINEERS ARCHITECTS
UNDERSLAB DRAIN FIG No. 8

11/1/23, 12:24 PM
AppF-40.png (984x1302)
ARCHITECTS
RMG ENGINEERS
ROCKY MOUNTAIN GROUP
PERIMETER DRAIN

Computer File Information
Creation Date: 07/31/19
Designer Initials: JBK
Last Modification Date: 07/31/19
Detailer Initials: LTA
CAD Ver: MicroStation V8 Scale: Not to Scale Units: English

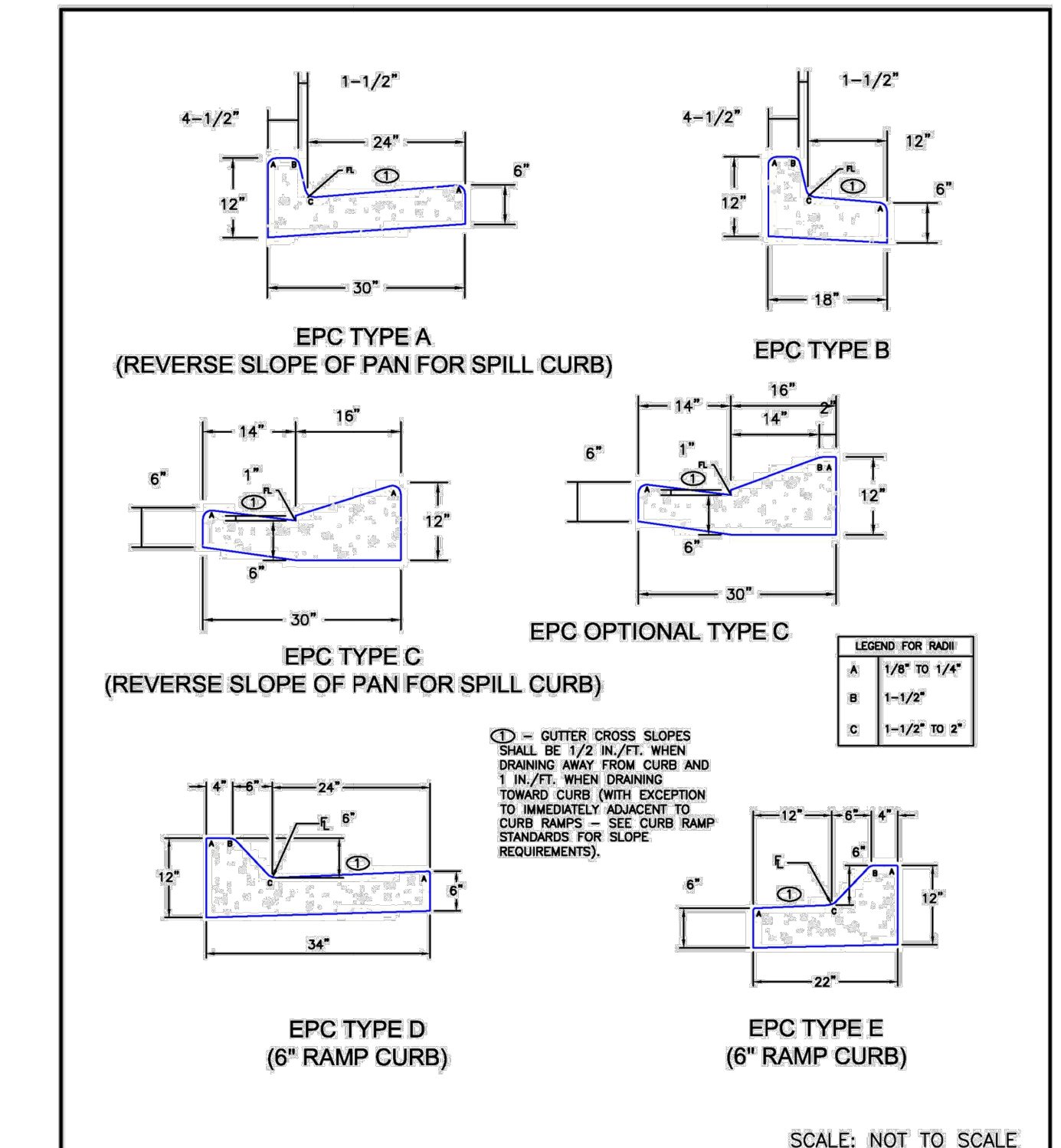
Sheet Revisions
Date: Comments

Colorado Department of Transportation
2820 West Howard Place
CDOT HQ, 3rd Floor
Denver, CO 80204
Phone: 303-757-9021 FAX: 303-757-9868

Project Development Branch JBK

INLET, TYPE C
Issued by the Project Development Branch July 31, 2019

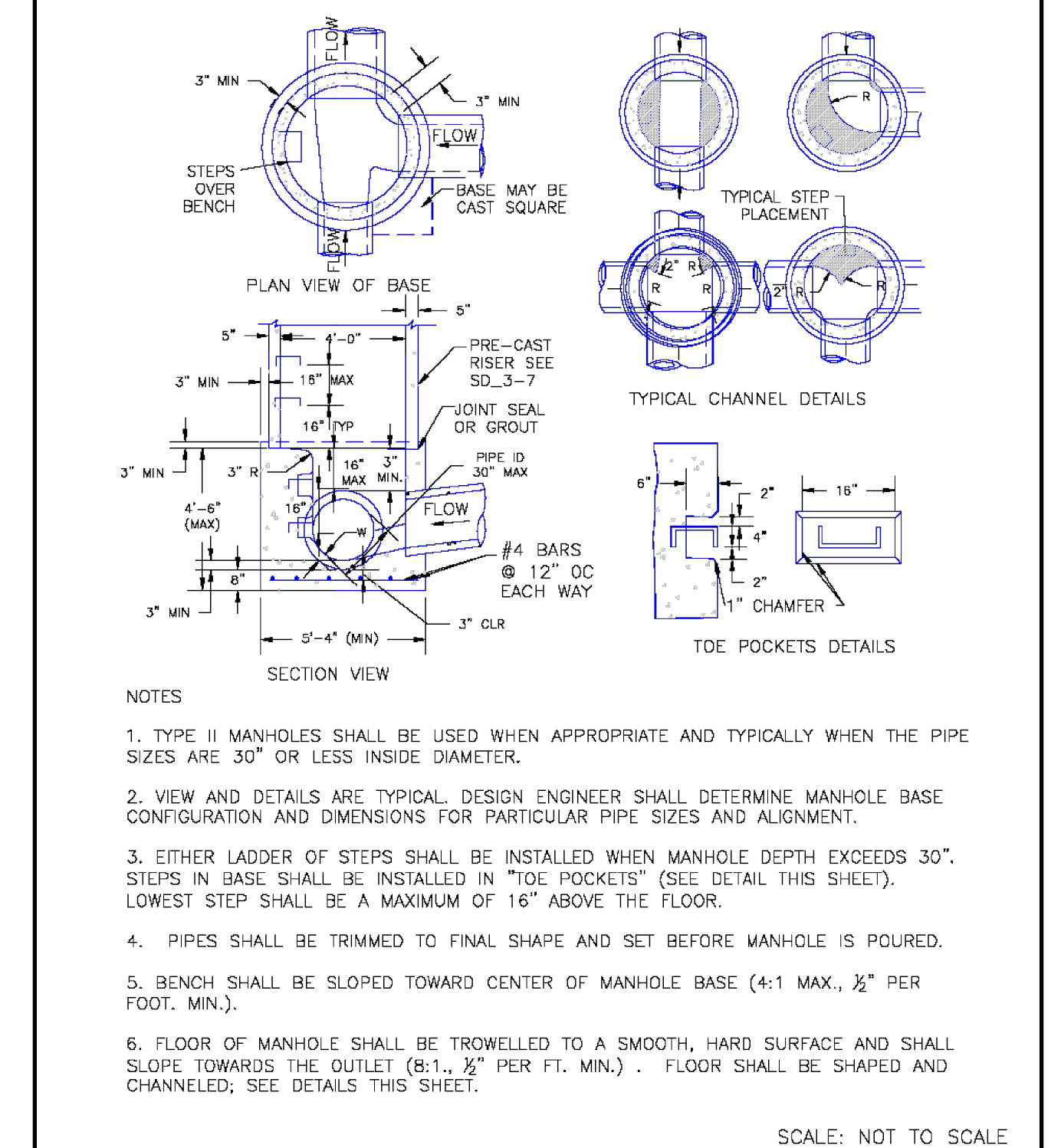
STANDARD PLAN NO.
M-604-10
Standard Sheet No. 1 of 1
Project Sheet Number:



6/23/20
DATE APPROVED: Jennifer E. Irvine
DEPARTMENT OF PUBLIC WORKS

Typical Curb and Gutter Details
Standard Drawing
REVISION DATE: 6/23/20
FILE NAME: SD_2-20

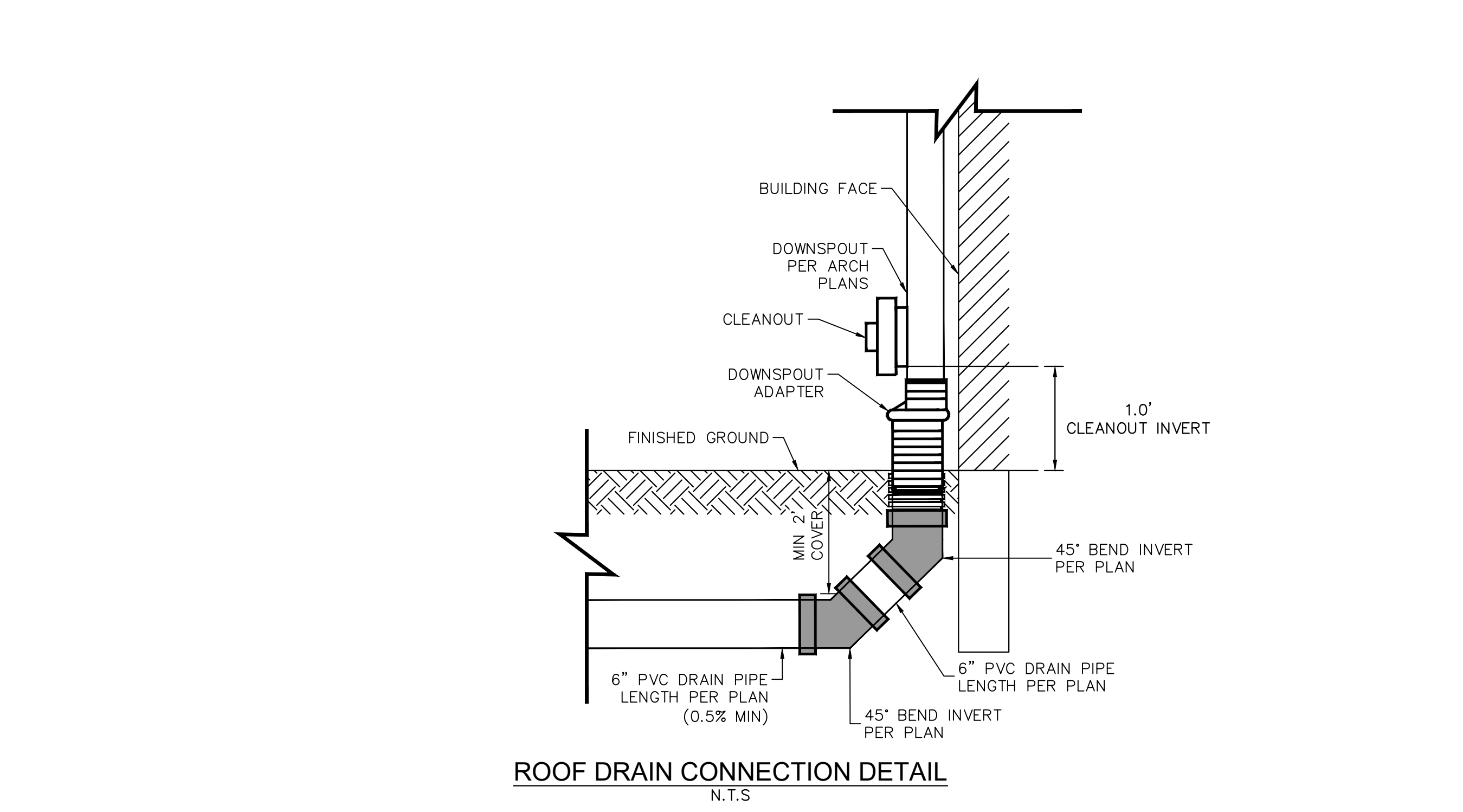
SCALE: NOT TO SCALE



DATE APPROVED: André P. Brackin
DEPARTMENT OF TRANSPORTATION

Storm Sewer Manhole Detail
Type II
Standard Drawing
REVISION DATE: 11/10/04
FILE NAME: SD_3-2

SCALE: NOT TO SCALE

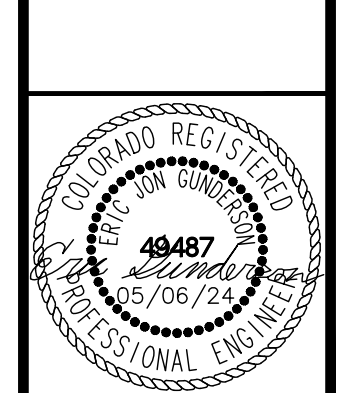


ROOF DRAIN CONNECTION DETAIL
N.T.S.

Kimley»Horn
2024 KIMLEY-HORN AND ASSOCIATES, INC.
2 North Nevada Avenue Suite 900
Colorado Springs, Colorado 80903 (719) 453-0180

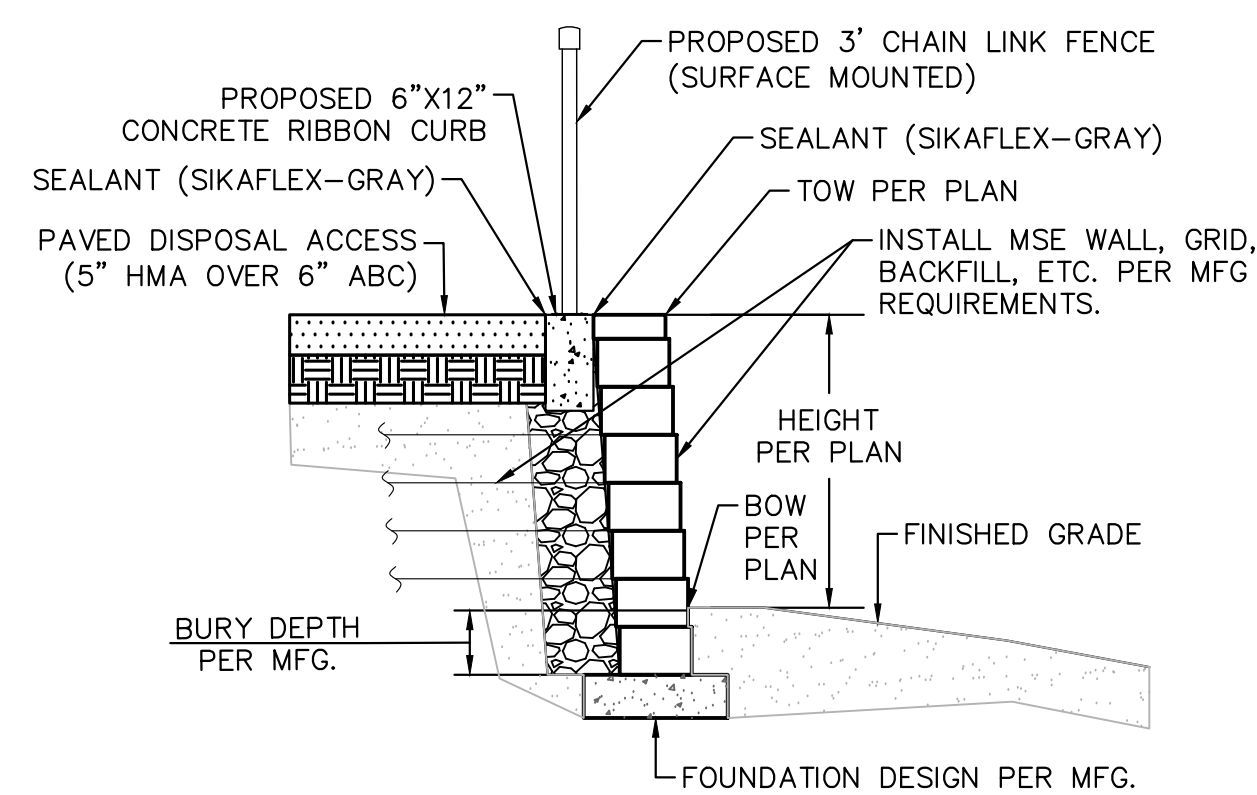
DESIGNED BY: E.JG
DRAWN BY: RES
CHECKED BY: E.JG
DATE: 5/6/2024

BARBARICK WASTE TRANSFER STATION
EL PASO COUNTY, COLORADO
CONSTRUCTION DOCUMENTS
CONSTRUCTION DETAILS

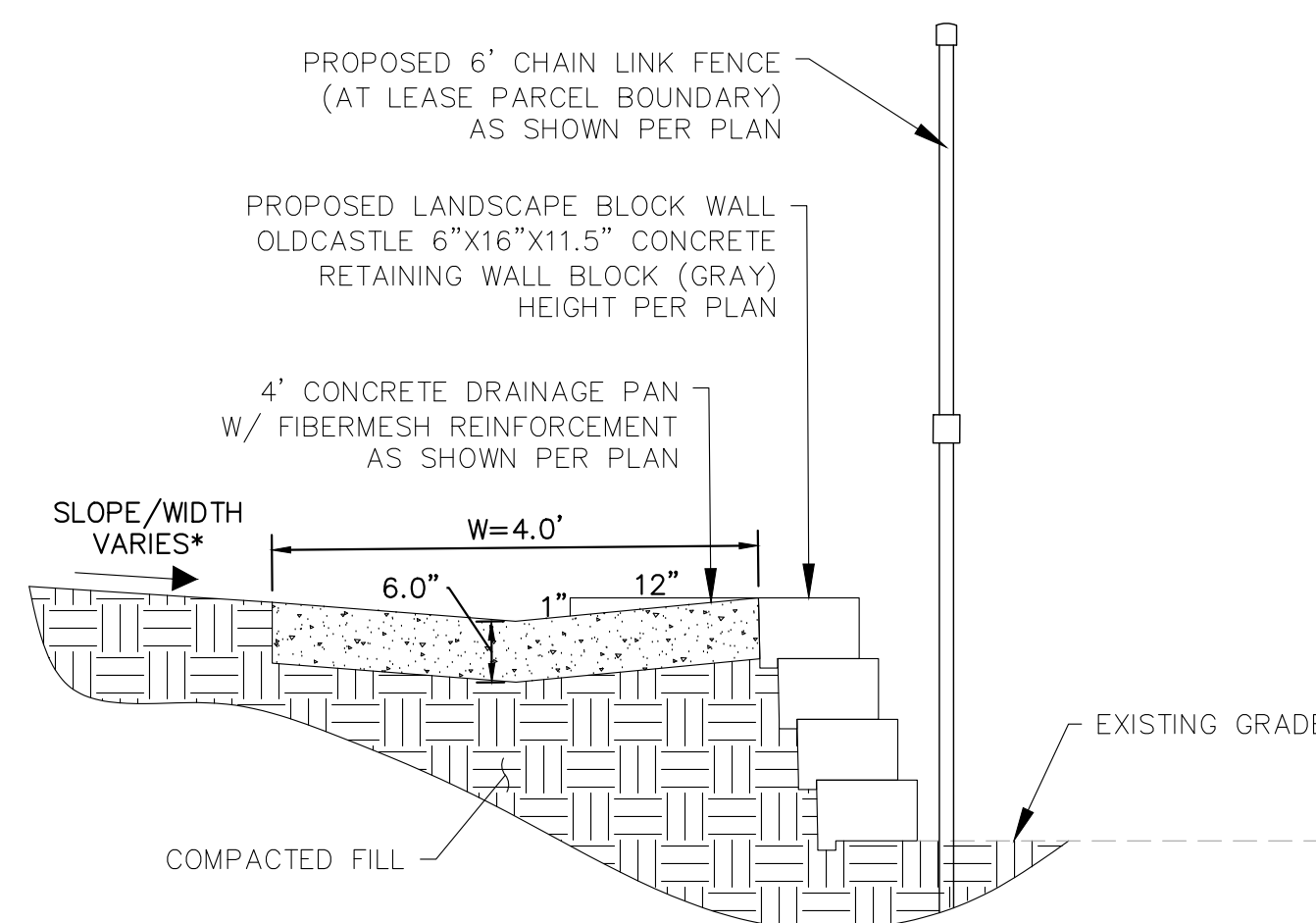


PROJECT NO.
196489000
SHEET
C6.0

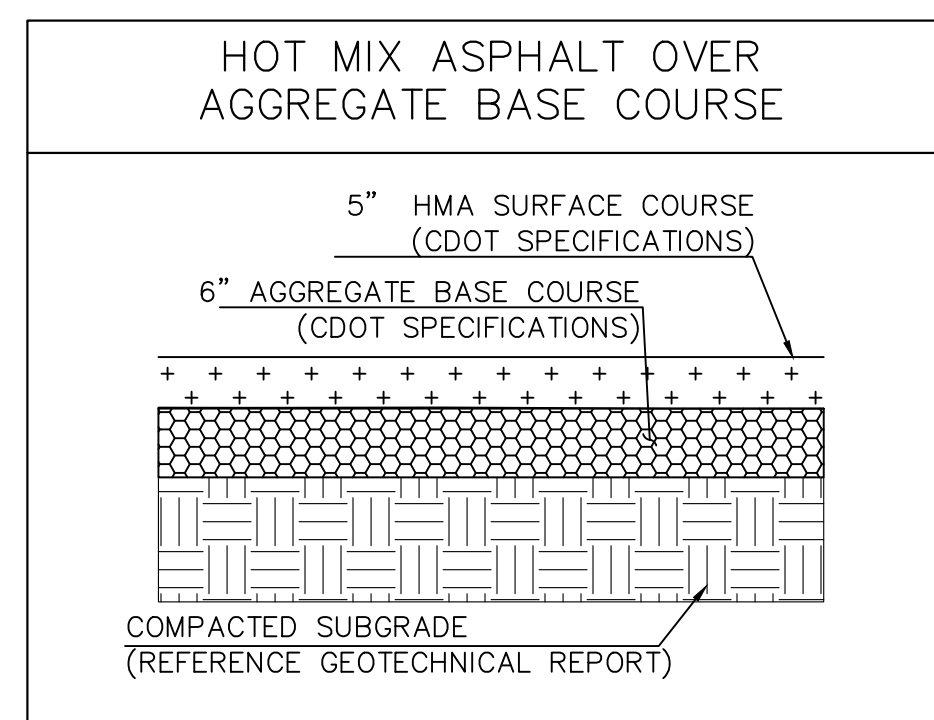
K:\COS_Civil\196489000_Barbarick Waste Transfer\CADD\PlanSheets\CDS\CD_DT-196489000.dwg Schmelbach, Ryan 5/7/2024 10:08 AM



MSE BLOCK WALL DETAIL
N.T.S.



LANDSCAPE BLOCK WALL DETAIL
N.T.S.

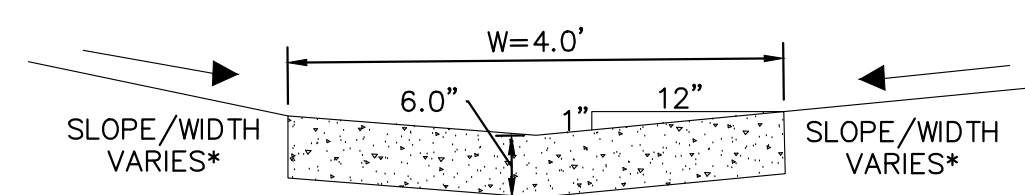


PAVEMENT DETAILS BASED ON GEOTECHNICAL REPORT (JOB NO. 194534) PREPARED BY RMG ENGINEERS / ARCHITECTS DATED OCTOBER 23, 2023

PAVEMENT SECTION
N.T.S.

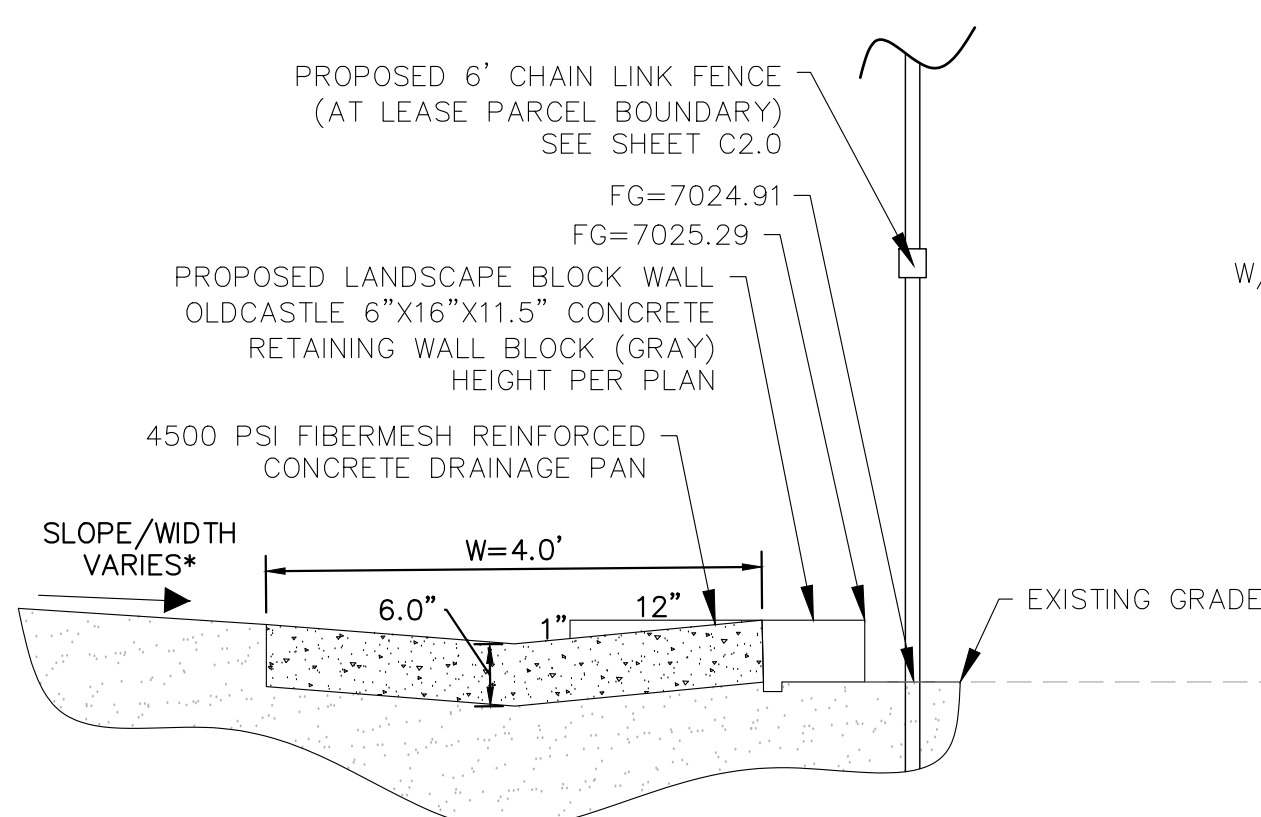
MSE BLOCK RETAINING WALL NOTES:

- 1.1 FOR GEOTECHNICAL RECOMMENDATIONS, SEE GEOTECHNICAL REPORT (JOB NO. 194534) PREPARED BY RMG ENGINEERS / ARCHITECTS DATED OCTOBER 23, 2023
- 1.2 WALL BACKFILL MATERIAL, PLACEMENT AND COMPACTION SHOULD COMPLY IN FULL WITH THE PROJECT SPECIFICATIONS. COMPACTION OF EACH LIFT ADJACENT TO WALLS SHALL BE ACCOMPLISHED WITH HAND OPERATED TAMPERS OR OTHER LIGHTWEIGHT COMPACTORS. FLOODING OR JETTING IS PROHIBITED. USE LOW EXPANSION POTENTIAL MATERIALS.
- 1.3 WALLS ARE TO BE SUITABLY BRACED DURING BACKFILLING TO PREVENT DAMAGE AND EXCESSIVE DEFLECTION. CONTRACTOR SHALL TAKE ADEQUATE PRECAUTIONS AGAINST HEAVY CONSTRUCTION EQUIPMENT IN THE VICINITY OF RETAINING WALLS.
- 1.4 SEE PROJECT PLANS FOR WALL LAYOUT AND FINISHED GRADE ELEVATIONS.
- 1.5 WALL FOOTINGS TO BE PLACED ON MATERIAL PREPARED IN ACCORDANCE WITH THE PROJECT SPECIFICATIONS AND GEOTECHNICAL REPORT.
- 1.6 ALL WORK (MASONRY, CONCRETE, STEEL) AND MATERIALS TO CONFORM IN FULL WITH PROJECT SPECIFICATIONS.
- 1.7 SITE MSE BLOCK WALLS SHALL BE DESIGN/BUILD BY CONTRACTOR, INCLUDING A DESIGN SIGNED AND SEALED BY A PROFESSIONAL ENGINEER REGISTERED IN THE STATE OF COLORADO. WALLS SHALL BE COLORED TO MATCH THE BUILDING ARCHITECTURE. WALL DESIGN SHALL BE SUBMITTED TO THE ENGINEER OF RECORD AND ARCHITECT OF RECORD BY CONTRACTOR FOR REVIEW.
- 1.8 RAILING/FENCING SHALL BE REQUIRED AT ALL LOCATIONS WHERE THE WALL IS 30" TALL OR TALLER AND RESIDES WITHIN 36" OF A WALKING SURFACE
- 1.9 PPRBD WALL PERMIT REQUIRED FOR ALL RETAINING WALLS GREATER THAN OR EQUAL TO 4FT IN HEIGHT.

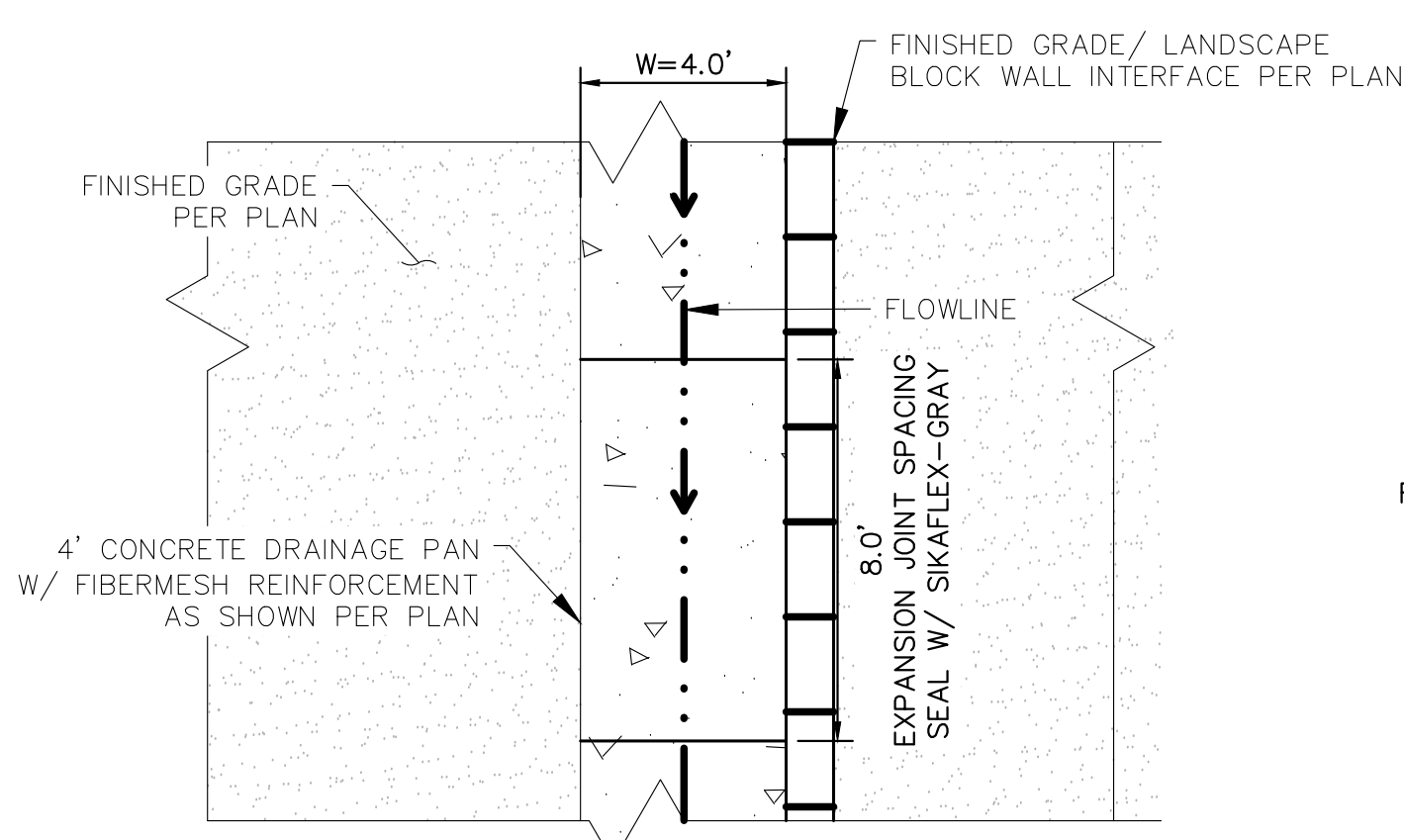


- * ROADWAY SLOPES, CROSS SLOPES, AND WIDTH VARY PER PLAN, SEE GRADING SHEETS AND SITE PLAN FOR ADDITIONAL DETAILS
- ** CONCRETE DRAINAGE PAN TO BE 4500 PSI FIBERMESH REINFORCED CONCRETE

CONCRETE DRAINAGE PAN SECTION VIEW
N.T.S.

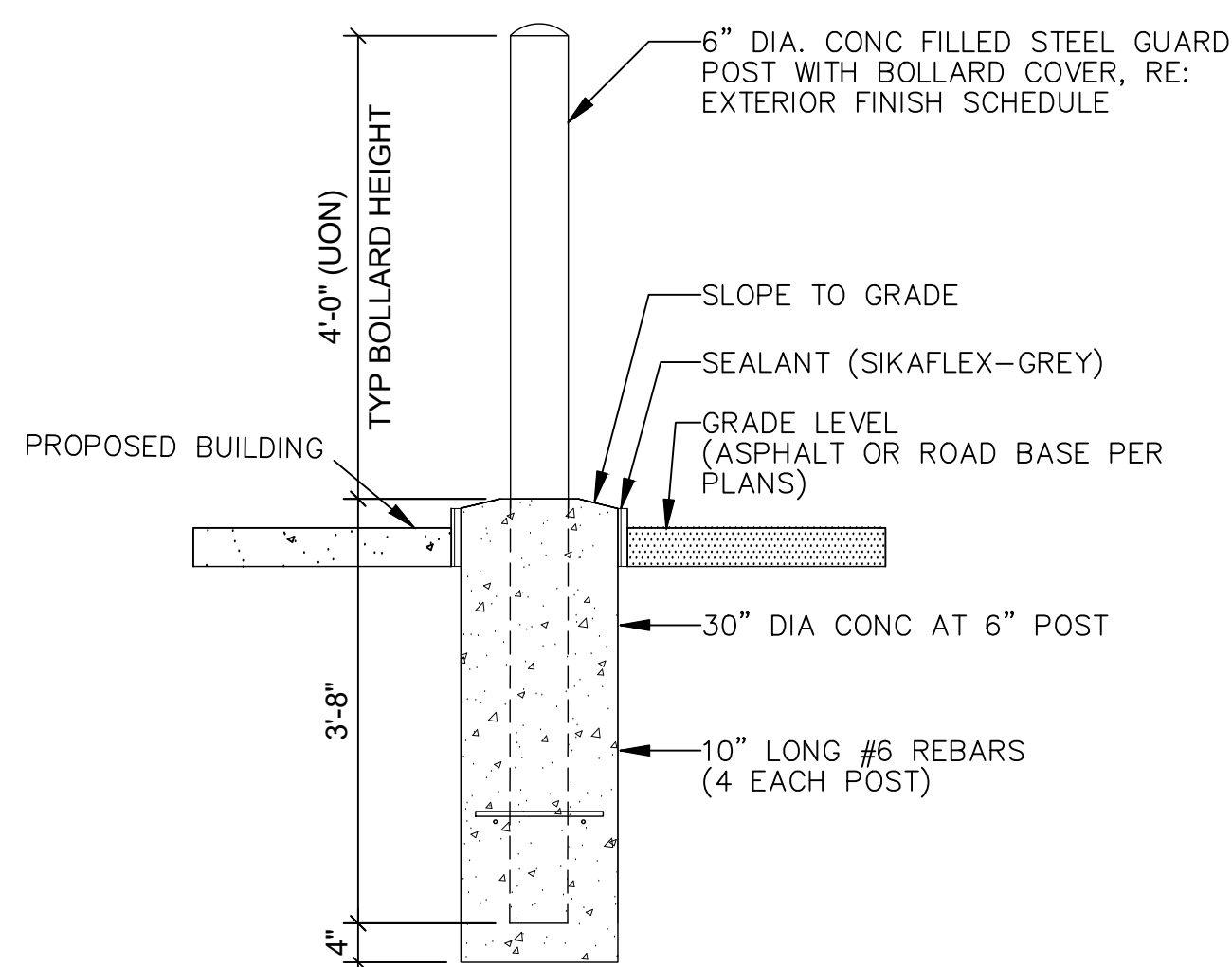


INSET: SECTION A
(SHEET C2.0)
N.T.S.

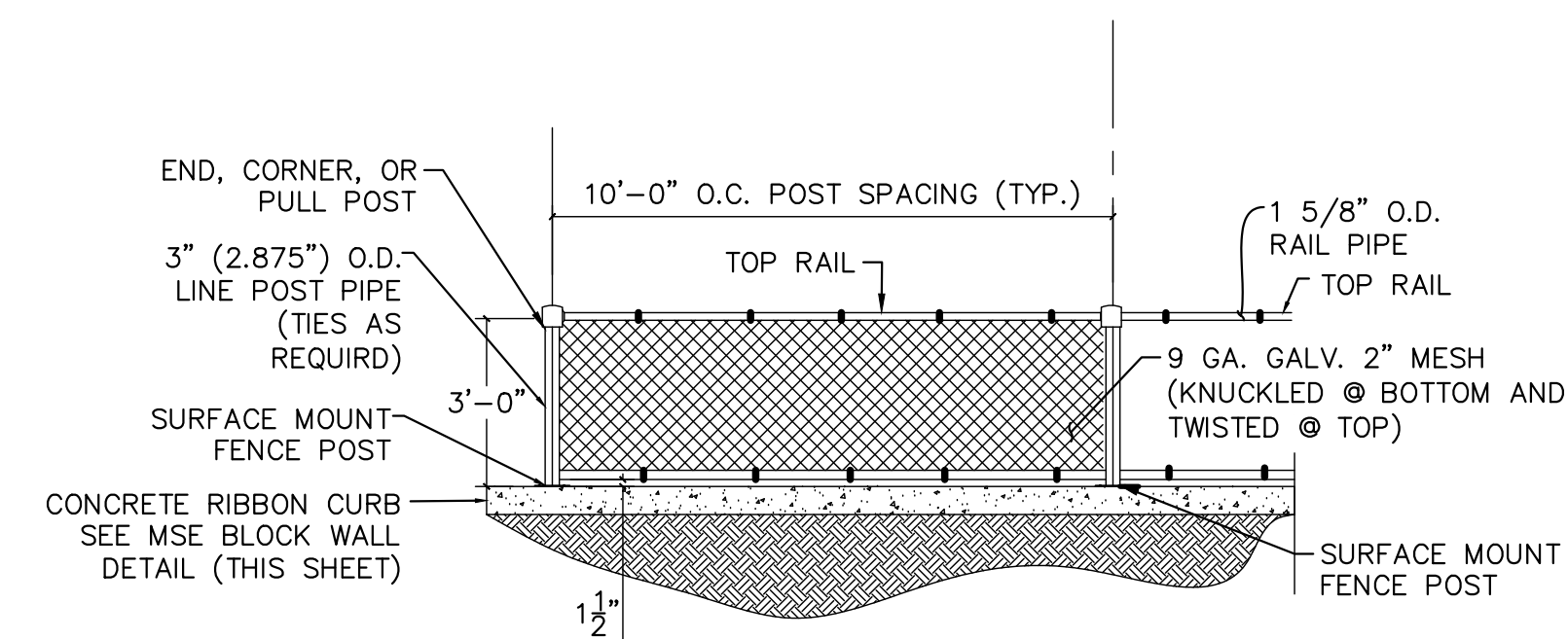


*** TRANSVERSE JOINTS TO BE SAWCUT TO 1/3 DEPTH OF CONCRETE (2IN)

DRAINAGE PAN PLAN VIEW
N.T.S.

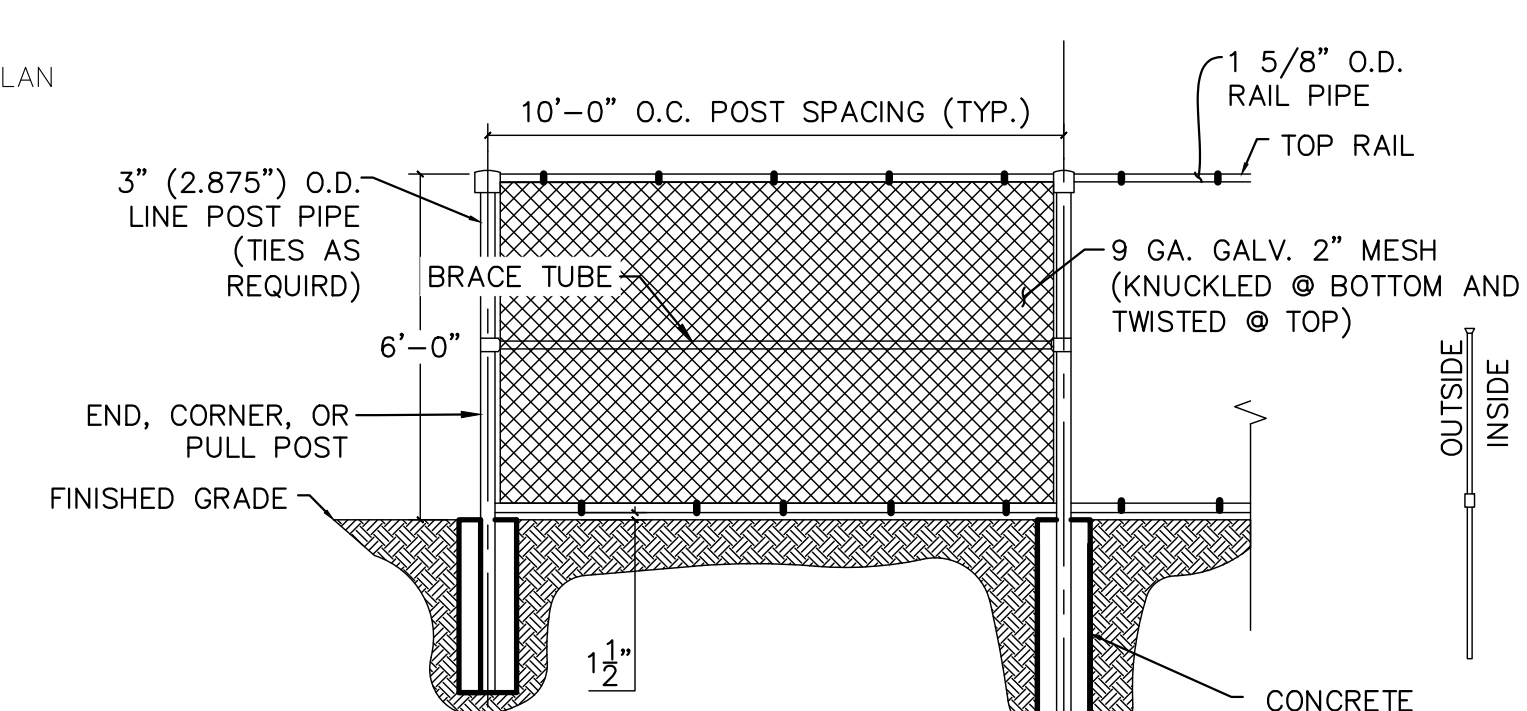


BOLLARD DETAIL
N.T.S.



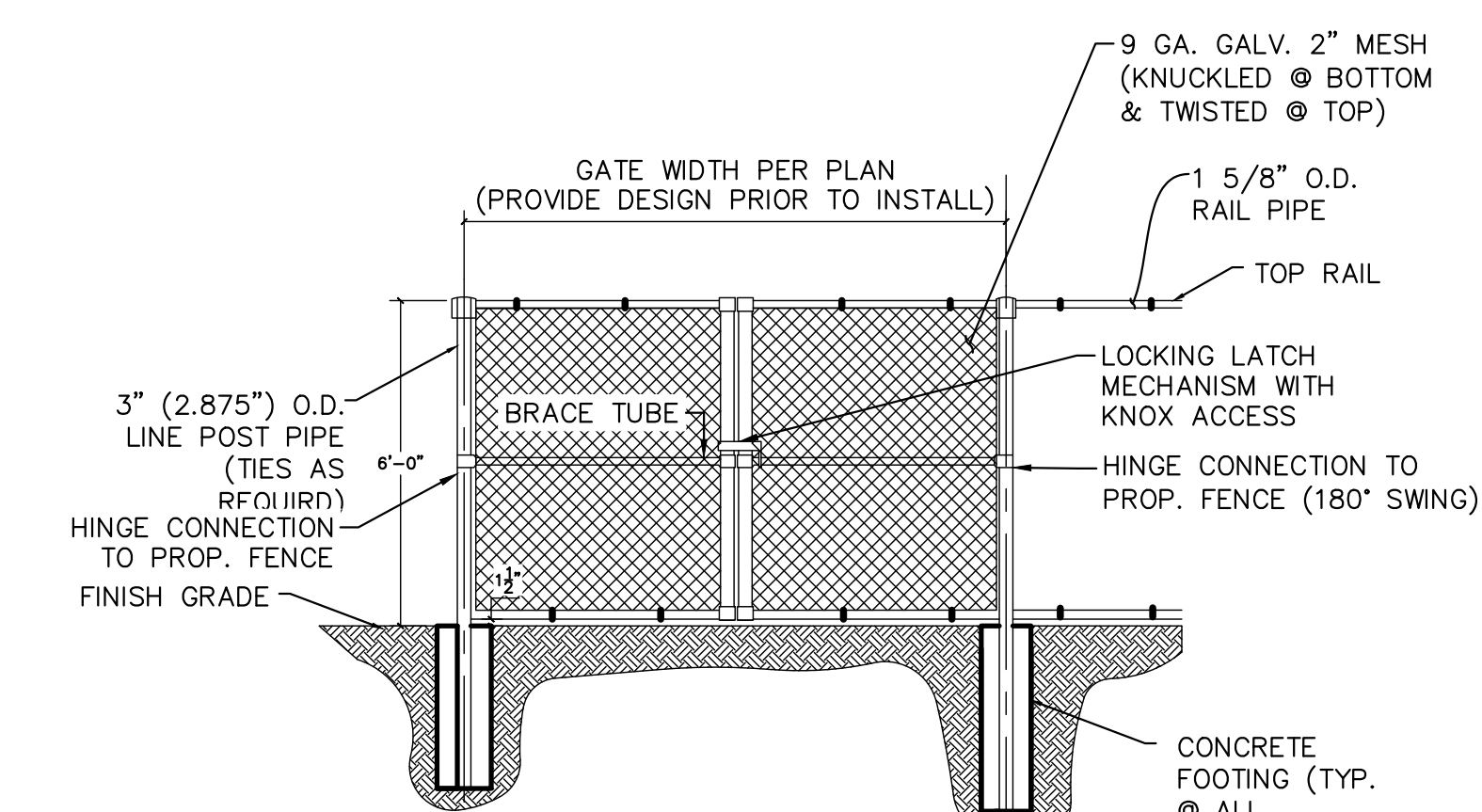
* FENCE MFG. TO PROVIDE DESIGN FOR APPROVAL BEFORE INSTALLATION

CHAIN LINK FENCE DETAIL
(WALL APPLICATION)
N.T.S.



* FENCE MFG. TO PROVIDE DESIGN FOR APPROVAL BEFORE INSTALLATION

CHAIN LINK FENCE DETAIL
N.T.S.



* FENCE MFG. TO PROVIDE DESIGN FOR APPROVAL BEFORE INSTALLATION

CHAIN LINK FENCE GATE DETAIL
N.T.S.

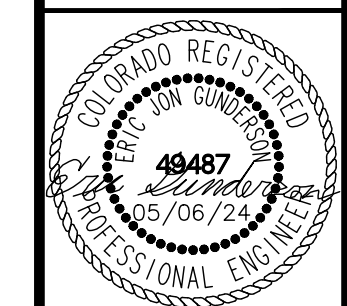
PCD FILE NO. COM2346

Kimley»Horn

2024 KIMLEY-HORN AND ASSOCIATES, INC.
2 North Nevada Avenue Suite 900
Colorado Springs, Colorado 80903 (719) 453-0180

DESIGNED BY: E.JG
DRAWN BY: RES
CHECKED BY: E.JG
DATE: 5/6/2024

BARBARICK WASTE TRANSFER STATION
EL PASO COUNTY, COLORADO
CONSTRUCTION DOCUMENTS
CONSTRUCTION DETAILS

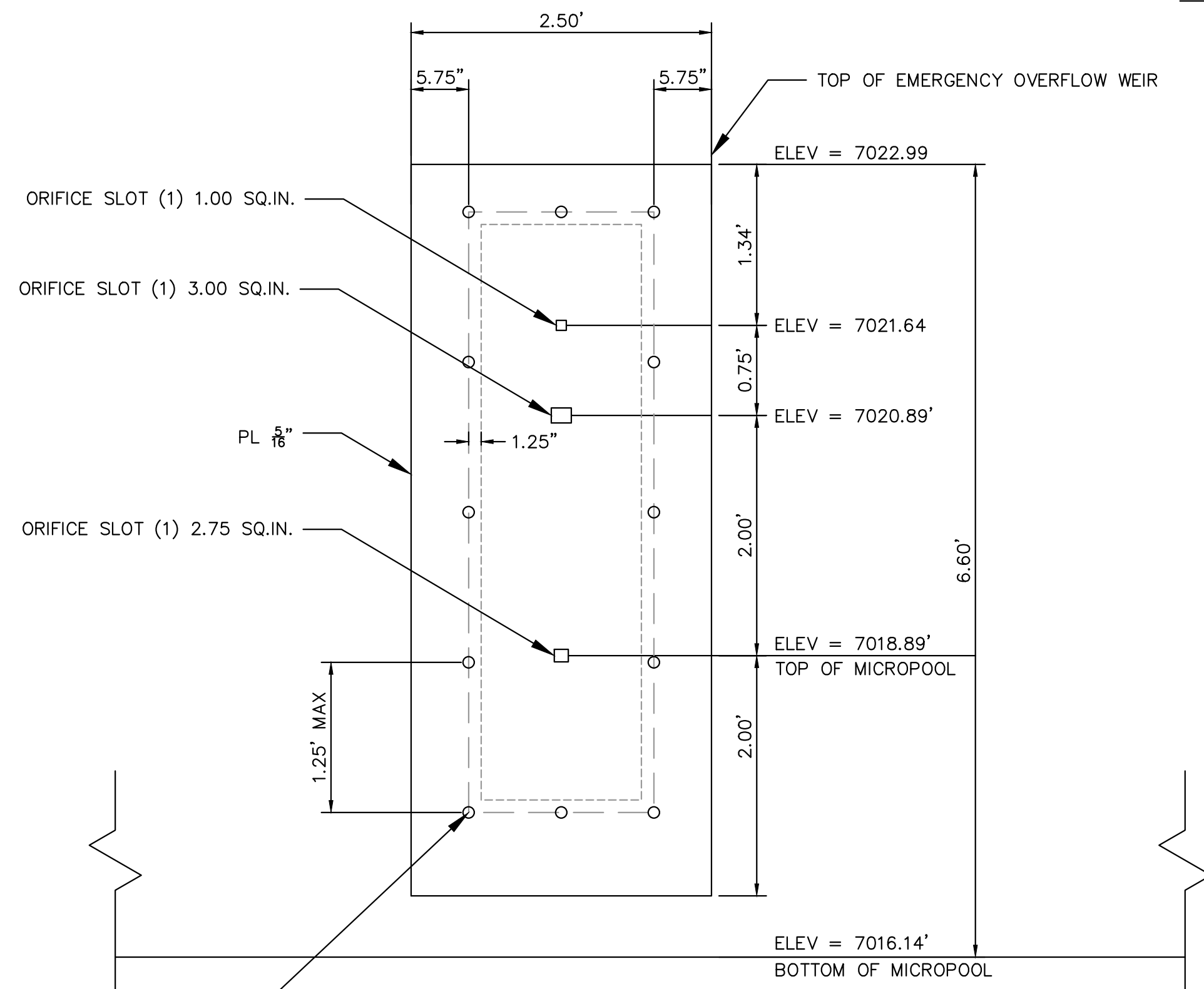
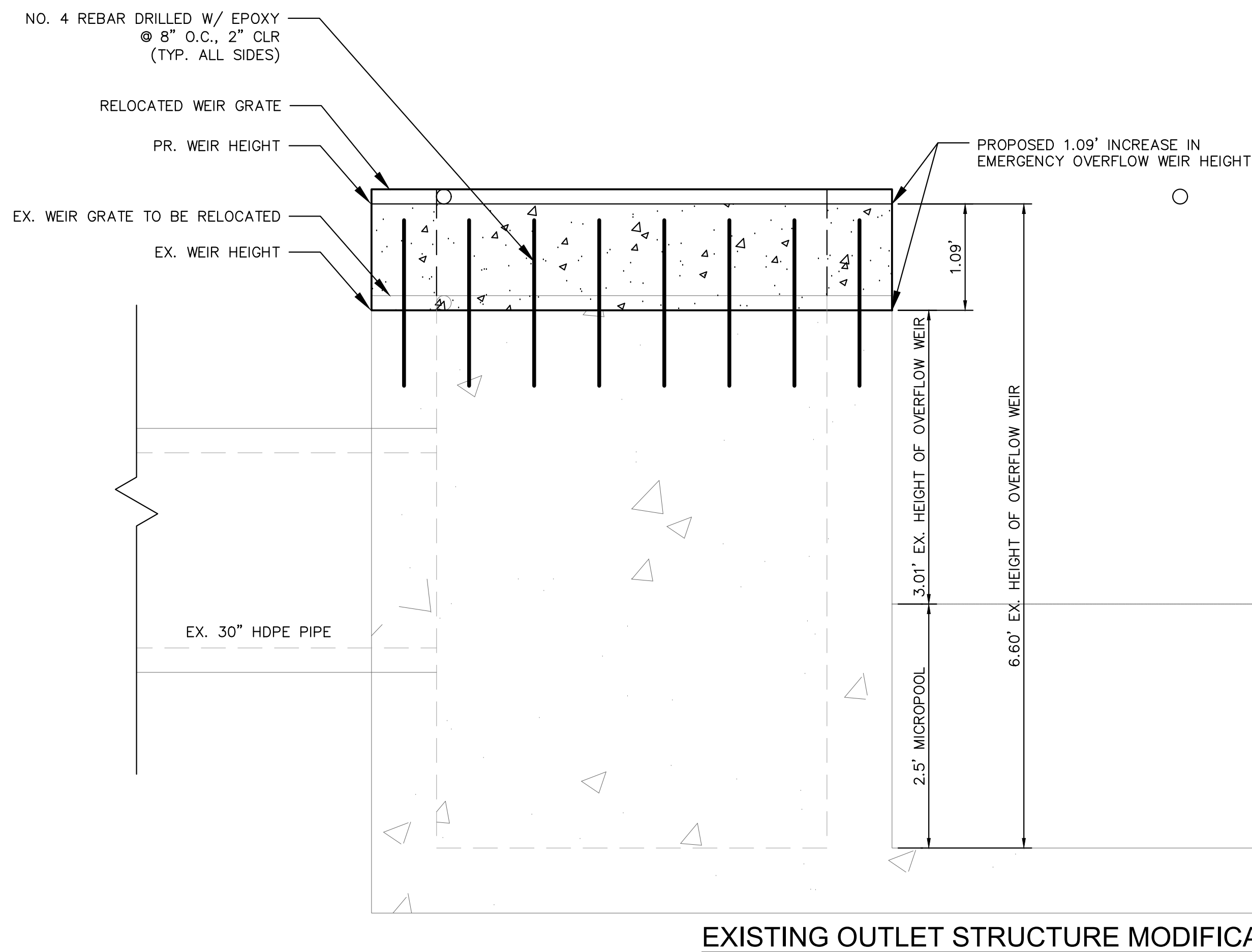


PROJECT NO.
196489000

SHEET

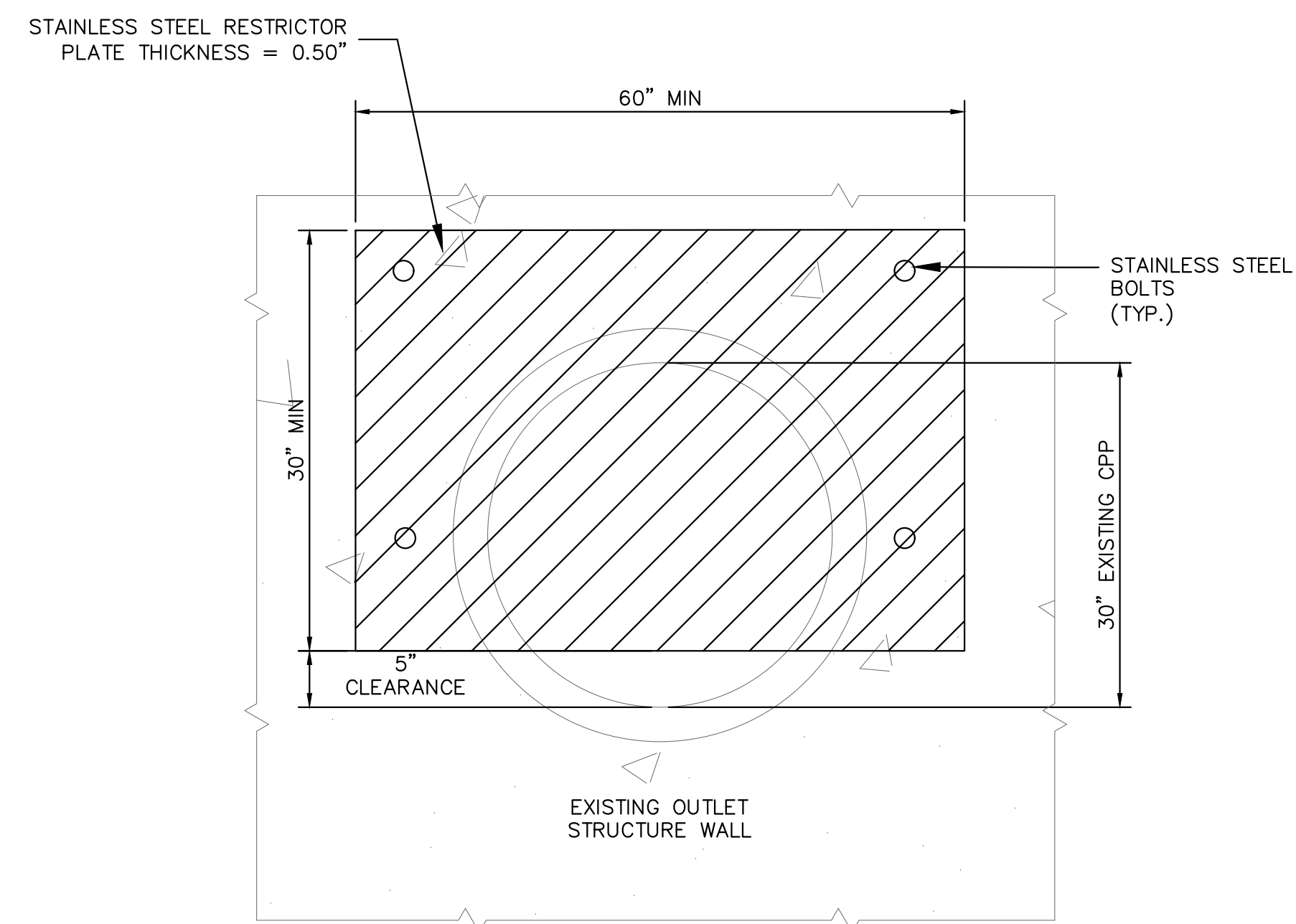
C6.1

K:\COS_Civil\196489000_Barbarick Waste Transfer\CADD\PlanSheets\CDS\CD_DT-196489000.dwg Schmelbach, Ryan 5/7/2024 10:08 AM



ORIFICE PLATE MODIFICATION
1" = 1'

- ORIFICE PLATE SHALL BE 0.50" IN THICKNESS
- CONTRACTOR SHALL INSTALL WATER TIGHT RUBBER GASKET OR EQUIVALENT SEALANT BETWEEN CONCRETE AND STEEL PLATE



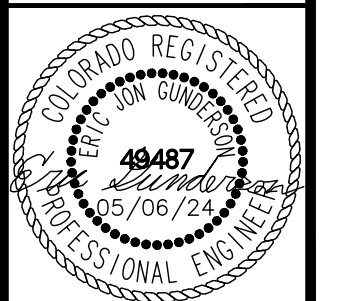
RESTRICTOR PLATE MODIFICATION
1" = 1'

Kimley Horn

2024 KIMLEY-HORN AND ASSOCIATES, INC.
2 North Nevada Avenue Suite 900
Colorado Springs, Colorado 80903 (719) 453-0180

DESIGNED BY: E.J.G.
DRAWN BY: RES
CHECKED BY: E.J.G.
DATE: 5/6/2024

BARBARICK WASTE TRANSFER STATION
EL PASO COUNTY, COLORADO
CONSTRUCTION DOCUMENTS
POND DETAILS



PROJECT NO.
196489000

SHEET

C6.2

PCD FILE NO. COM2346

K:\COS_Civil\196489000_Barbarick Waste Transfer\CADD\PlanSheets\COS_CD_DT-196489000.dwg Schmelbach, Ryan 5/7/2024 10:08 AM

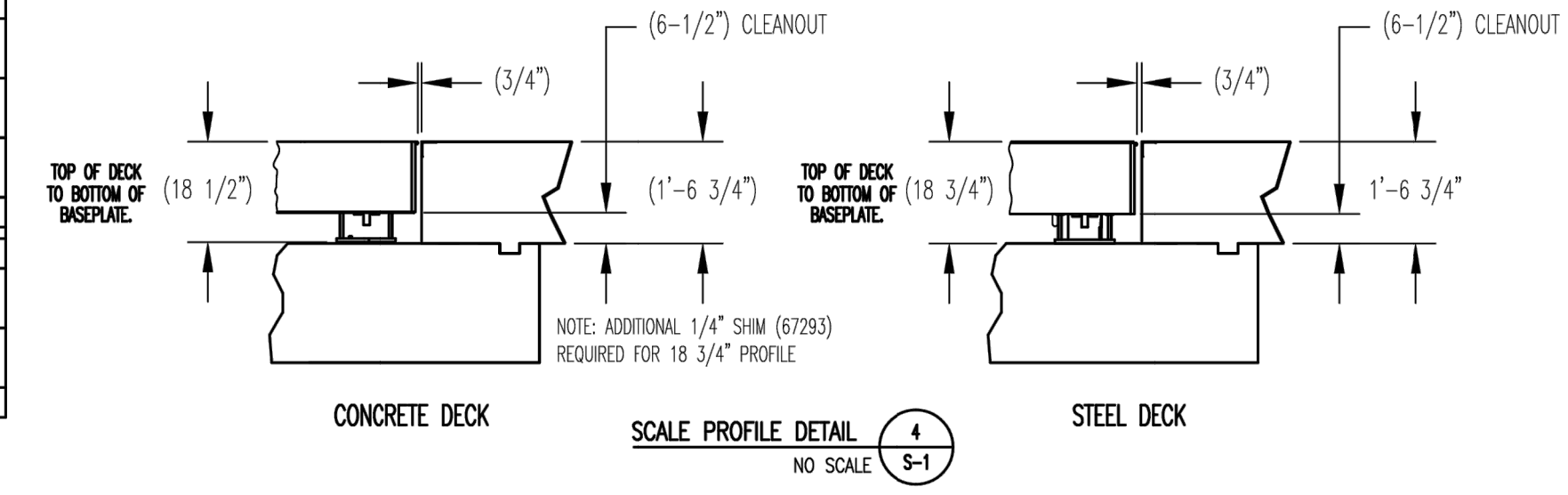
PART NO.	DIMENSION	
	A-A	B-B
99101 (40' X 10')	11'-0"	8'-2 1/4"
86587 (40' X 11')	12'-0"	9'-2 1/4"
99102 (40' X 12')	13'-0"	10'-2 1/4"

REBAR SCHEDULE				WEIGHT
BAR NO.	QUANTITY	BAR SIZE	LENGTH & DESCRIPTION	
A	34	#5	2'-0" @ 8" O.C.	71
B	48	#5	9'-6" @ 12" O.C.	475
C	144	#5	10'-6"	1573
D	34	#5	41'-6"	1467
TOTAL WEIGHT OF REBAR				3585

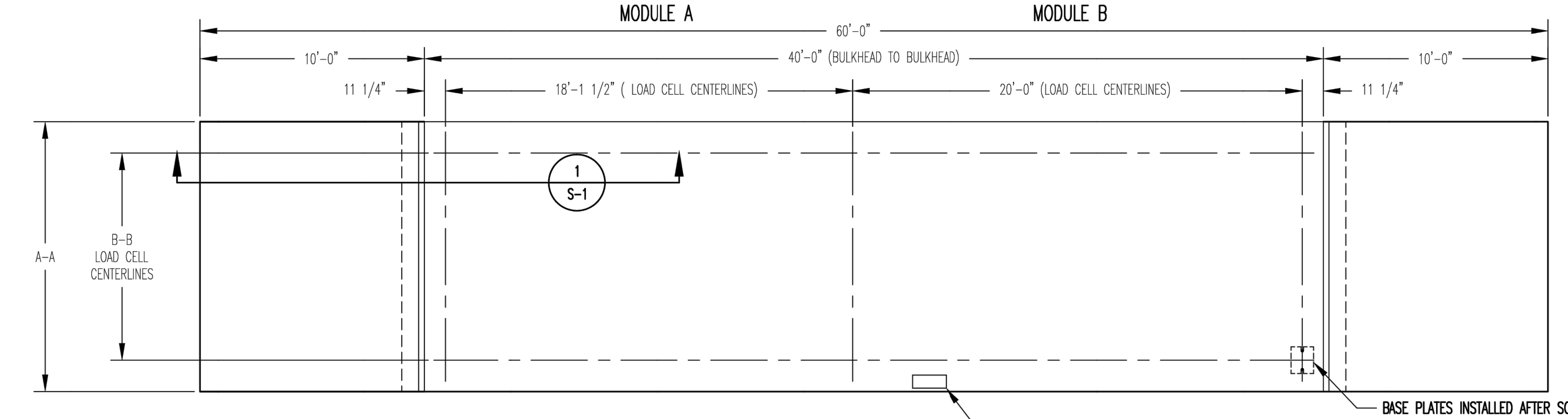
REBAR SCHEDULE				WEIGHT
BAR NO.	QUANTITY	BAR SIZE	LENGTH & DESCRIPTION	
A	36	#5	2'-0" @ 8" O.C.	75
B	52	#5	9'-6" @ 12" O.C.	514
C	144	#5	11'-6"	1722
D	36	#5	41'-6"	1554
TOTAL WEIGHT OF REBAR				3865

REBAR SCHEDULE				WEIGHT
BAR NO.	QUANTITY	BAR SIZE	LENGTH & DESCRIPTION	
A	38	#5	2'-0" @ 8" O.C.	79
B	56	#5	9'-6" @ 12" O.C.	553
C	144	#5	12'-6"	1872
D	38	#5	41'-6"	1640
TOTAL WEIGHT OF REBAR				4144

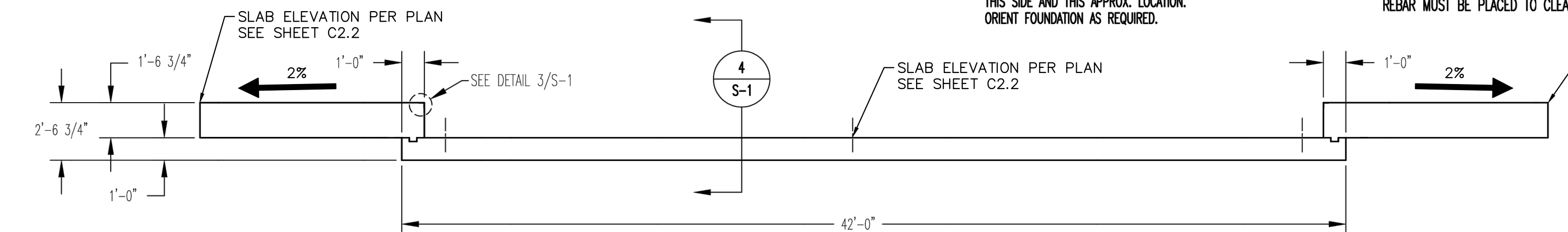
REVISIONS			
REV	REFERENCE	INIT	DATE
A	ADDED TABULATION	DS	2/7/07



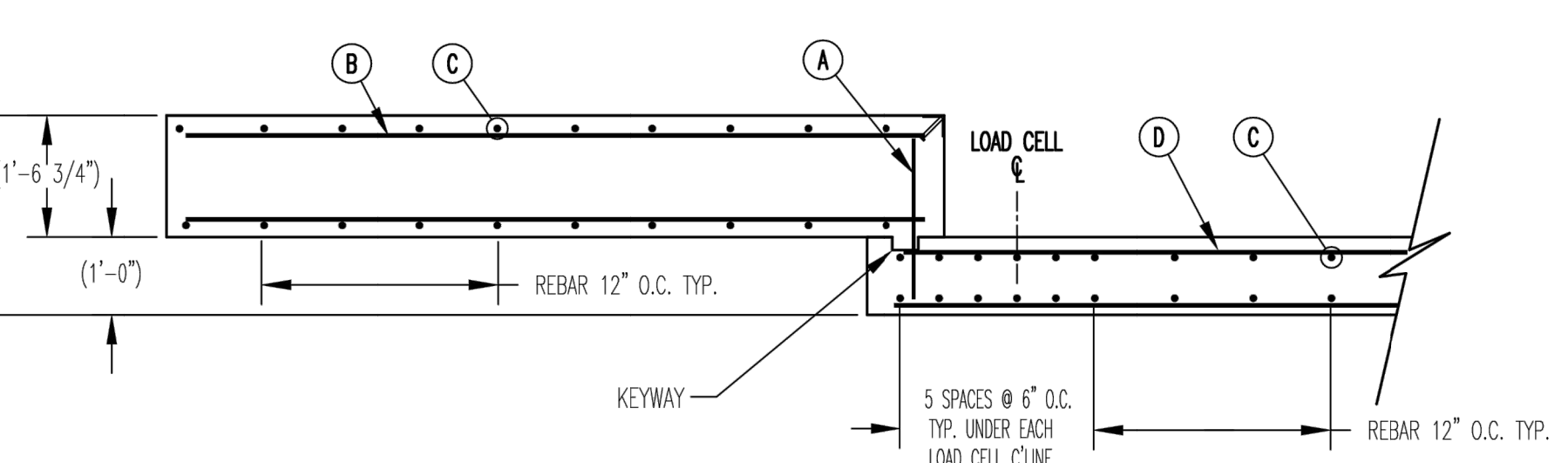
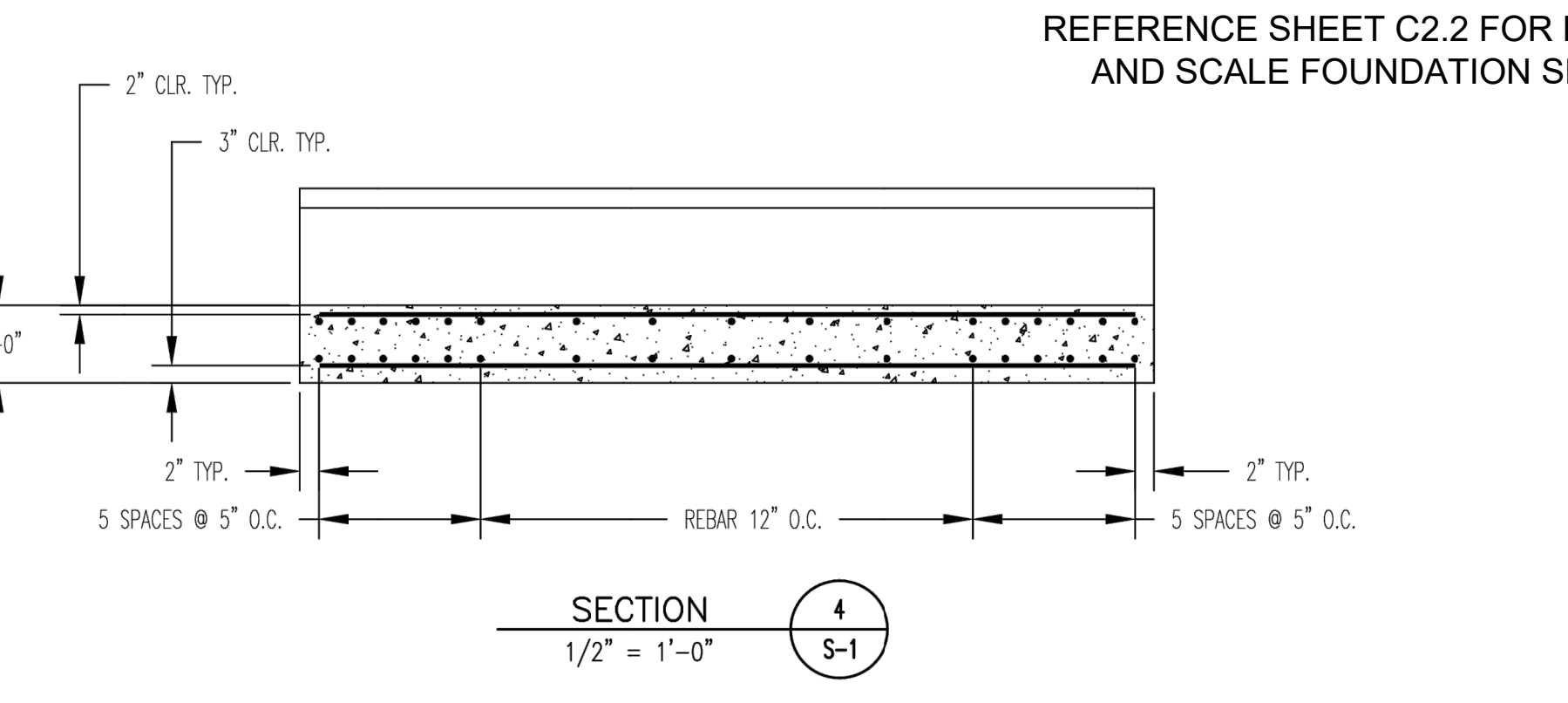
- NOTE:**
- DESIGN STRESSES:**
 - 1.1) CONCRETE: $f'_c = 4500$ PSI @ 28 DAYS, MAXIMUM SLUMP 2".
 - 1.2) REINFORCING STEEL: DEFORMED BARS ASTM A615 GRADE 60, UNLESS OTHERWISE NOTED.
 - 1.3) STEEL: STRUCTURAL ASTM A36
 - CONTRACTOR NOTE:**
 - 2.1) STRUCTURAL CONCRETE MEMBERS ARE DESIGNED FOR "IN PLACE" LOADS. CONTRACTOR IS RESPONSIBLE FOR BRACING ALL STRUCTURAL ELEMENTS (AS REQUIRED AT ANY STAGE OF CONSTRUCTION) UNTIL COMPLETION OF THIS PROJECT. SHOP DRAWINGS ARE SUBMITTED TO ARCHITECT/ENGINEER FOR APPROVAL (3 SETS REQUIRED).
 - 2.2) SOME STATES REQUIRE CONCRETE CLEANOUTS. CHECK WITH STATE AND LOCAL CODES BEFORE PROCEEDING WITH CONSTRUCTION.
 - 2.3) MONOLITHIC POUR OF SLAB AND PIERS IS ALLOWED, AT CONTRACTOR'S DISCRETION.
 - 2.4) STATE AND LOCAL AGENCIES MAY HAVE VARIOUS REQUIREMENTS FOR APPROACH RAMP LENGTH, PITCH, AND FOR CLEAN OUT HEIGHT. PLEASE CHECK WITH ALL AGENCIES PRIOR TO CONSTRUCTION.



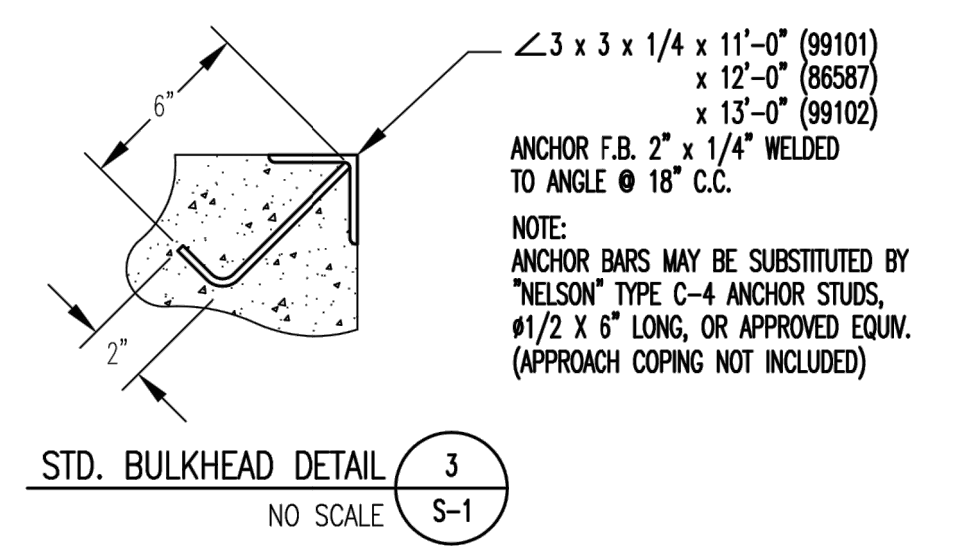
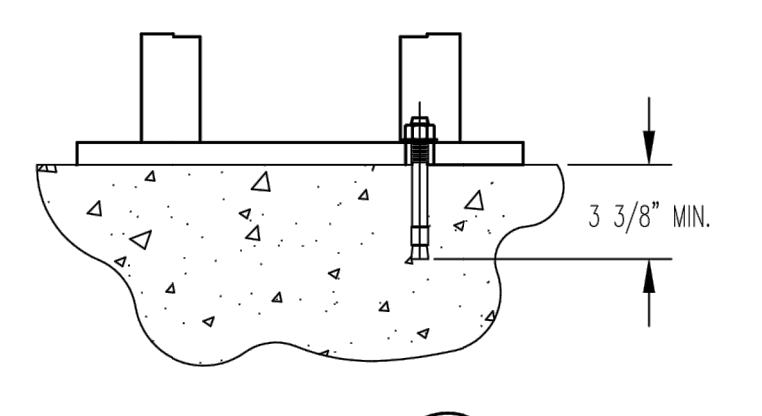
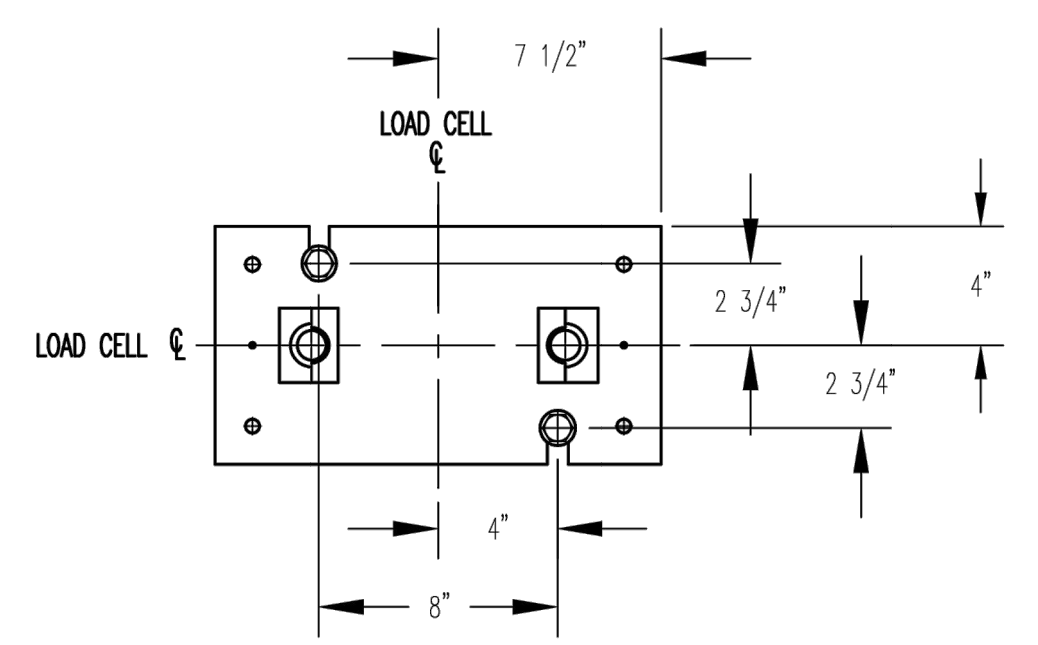
- DIVISION 2**
- SITE PREPARATION:**
 - 3.1) FOOTINGS SHALL BEAR ON NATURAL UNDISTURBED SOIL OR ENGINEERED FILL.
 - 3.2) DEVELOP AND MAINTAIN SITE GRADES WHICH WILL RAPIDLY DRAIN SURFACE AND ROOF RUN-OFF AWAY FROM FOUNDATION.
 - 3.3) ALL FILL SHALL BE COMPACTED TO 95 - 98 PERCENT OF STANDARD PROCTOR DENSITY (ASTM 698).
 - 3.4) FOOTINGS HAVE BEEN DESIGNED FOR A MINIMUM SOIL PRESSURE OF 3000 PSF IN LIEU OF SOIL BORINGS. IT WILL BE THE RESPONSIBILITY OF OTHERS TO VERIFY THIS VALUE.



- DIVISION 3**
- CONCRETE:**
 - 4.1) CODE FOR REINFORCED CONCRETE ACI 318 LATEST EDITION.
 - 4.2) WHERE REINFORCING BARS ARE SHOWN CONTINUOUS, LAP SPLICE BARS 40 DIAMETERS.
 - 4.3) UNLESS SHOWN OTHERWISE, PROVIDE 2" CONCRETE COVER ON ALL REINFORCING STEEL (3" AT FOOTING REINF.).
 - 4.4) PROVIDE SUITABLE SUPPORT OF ALL REINFORCING TO PREVENT DISPLACEMENT DURING CURETING.
 - 4.5) ALL EXPANSION BOLTS SHALL BE "KWIKBOLT", "WEJIT", OR EQUAL.
 - 4.6) ALL CONCRETE TO HAVE 5-8% ENTRAINED AIR BY VOLUME.
 - 4.7) CONCRETE SHOULD NOT CONTAIN FLY ASH.
 - 4.8) PORTLAND CEMENT: ASTM C150, TYPE 1; AGGREGATE - 3/4".
 - 4.9) WATER: CLEAN, POTABLE AND FREE OF DELETERIOUS AMOUNTS OF ACIDS, ALKALINES AND ORGANIC MATERIALS.
 - 4.10) CONCRETE: SHALL BE MAINTAINED ABOVE 50° F.; AND IN A MOIST CONDITION FOR AT LEAST 7 DAYS FOR NORMAL CONCRETE AND 3 DAYS FOR HIGH-EARLY STRENGTH CONCRETE. HOT AND COLD WEATHER PROTECTION ASTM C-94.
 - 4.11) THE CONCRETE SUPPLIER OR HIS REPRESENTATIVE SHALL TAKE A SET OF 3 CYLINDERS FOR EVERY TRUCK LOAD OF CONCRETE POURED, OR A MINIMUM OF ONE SET PER ANY ONE POUR. THE CYLINDERS WILL BE MARKED WITH THE LOCATION OF WHERE THEY WERE TAKEN, THE NUMBER OF THE TRUCK THAT HAULED THE CONCRETE AND THE DATE AND TIME THE CYLINDERS WERE TAKEN. THE CYLINDERS ARE TO BE TAKEN ACCORDING TO ACCEPTED PRACTICES BY ASTM C31, C39 AND C172 USING APPROVED CYLINDER FORMS.
 - 4.12) THE OWNER SHALL BE RESPONSIBLE FOR STORING THE CYLINDERS AND MAINTAINING THEM IN GOOD CONDITION.
 - 4.13) THE OWNER SHALL HAVE ONE CYLINDER FOR EACH SET BROKE AT 7 DAYS AND A SECOND CYLINDER OF EACH SET BROKE AT 28 DAYS BY AN APPROVED TESTING COMPANY. THE THIRD CYLINDER OF EACH SET SHALL BE RETAINED AT THE SITE.
 - 4.14) THE OWNER OR OWNER'S REP SHALL RECEIVE WRITTEN COPIES OF THE TESTING COMPANY'S REPORT IN A TIMELY MANNER, AND PROVIDE THEM TO THE MANUFACTURER AT THEIR REQUEST.
 - 4.15) CONTRACTOR MUST SUPPLY CONCRETE DESIGN MIX TO OWNER OR OWNER'S REP AND A/E PRIOR TO STARTING CONSTRUCTION.
 5. SLAB TO BE LEVEL WITHIN 1/4".
 6. APPROACHES TO BE A COMMON PLANE WITHIN 1/4".
 7. TOP OF REBAR MUST BE PLACED TO CLEAR THE ANCHOR BOLTS. ANCHOR BOLTS ARE TO BE INSTALLED AFTER FOUNDATION HAS CURED.



REFERENCE SHEET C2.2 FOR DETAILED GRADING AND SCALE FOUNDATION SLAB ELEVATIONS



OWNER: _____
 LOCATION: _____
 SCALE DEALER: _____
 CONTRACTOR: _____
 REF: _____ DATE: _____

THIS DRAWING AND ALL INFORMATION CONTAINED HEREIN IS AND REMAINS THE PROPERTY OF RICE LAKE WEIGHING SYSTEMS INC. AND IS CONFIDENTIAL. IT IS SUBMITTED AND MAY BE USED ONLY IN CONNECTION WITH RICE LAKE WEIGHING SYSTEMS' PROPOSAL AND/OR ITS CUSTOMERS' ORDERS. IT SHALL NOT BE DISCLOSED TO OTHERS OR COPIED WITHOUT RICE LAKE WEIGHING SYSTEMS' SPECIFIC WRITTEN CONSENT AND SHALL BE IMMEDIATELY RETURNED UPON REQUEST.

TITLE: FOUNDATION, CONCRETE SLAB 40' OTR SERIES TRUCK SCALES
 DR. BY: SLJ
 DATE: 10/4/04
 RICE LAKE WEIGHING SYSTEMS
 RICE LAKE WISCONSIN
 SCALE: 1/4"=1'-0" SHEET 1 OF 1 REVISION A
 DWG NO: 86587

Kimley»Horn
 2024 KIMLEY-HORN AND ASSOCIATES, INC.
 2 North Nevada Avenue Suite 900
 Colorado Springs, Colorado 80903 (719) 453-0180

DESIGNED BY: E:JG
 DRAWN BY: RES
 CHECKED BY: E:JG
 DATE: 5/6/2024

BARBARICK WASTE TRANSFER STATION
 EL PASO COUNTY, COLORADO
 CONSTRUCTION DOCUMENTS
SCALE DETAIL

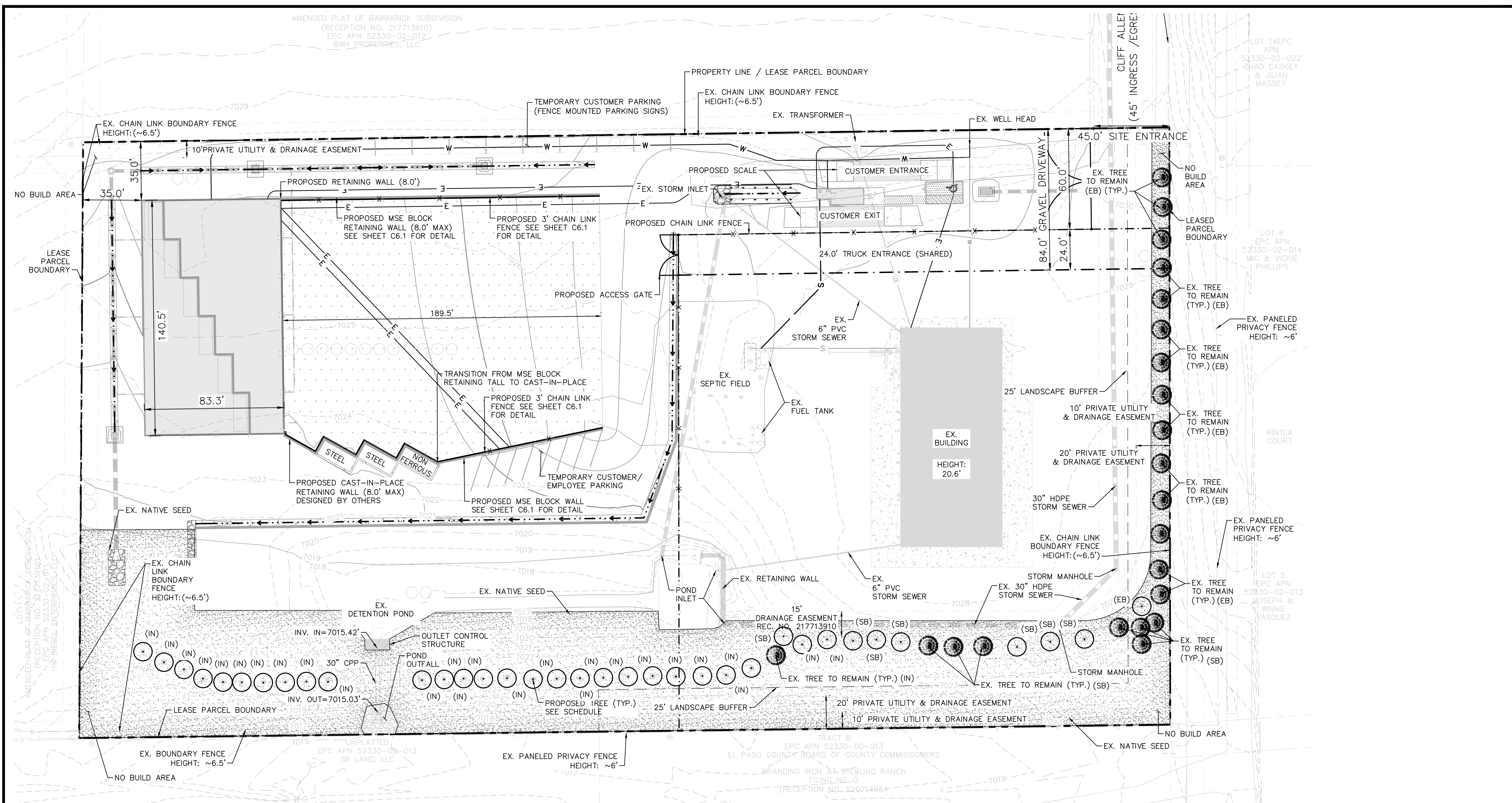


PROJECT NO. 196489000
 SHEET

C6.3

PCD FILE NO. COM2346

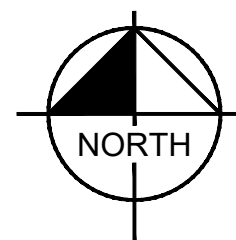
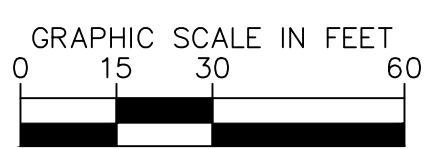
K:\COS_Civil\196489000_Borbarick Waste Transfer\CADD\PlanSheets\CDS\DP_LA.dwg Schnelbach, Ryan 5/7/2024 10:08 AM



PLANT SCHEDULE

SYMBOL	CODE	QTY	BOTANICAL / COMMON NAME	CONT. SIZE	SIZE/CAL.	WIDTH	HEIGHT
EVERGREEN TREES							
PP	35		PINUS PONDEROSA / PONDEROSA PINE	B & B	6' HGT.	30-40'	60"
EXISTING TREES TO REMAIN							
EX	22	 EXISTING TREE TO REMAIN				
SYMBOL	CODE	QTY	BOTANICAL / COMMON NAME	TYPE	INSTALL RATE	WEED FABRIC	MFR.
GROUND COVERS							
SEED	50,413	SF	EXISTING NATIVE SEED TO REMAIN / EPC LOW GROW MIX	SEED	PER CHART		PANNEE BUTTES SEED

NOTE: THIRTY-FOUR (34) OF THE ORIGINALLY PLANTED TREES HAVE DIED AND SHALL BE REPLACED WITH PONDEROSA PINES PER THE LANDSCAPE PLAN ABOVE.
NOTE: SEE DETAILS SHEET (L7.2) FOR CODE CHARTS



LEGEND

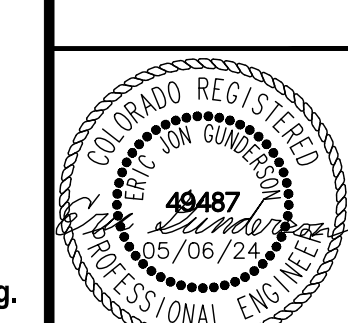
- — — — — PROPERTY LINE
- - - - - LEASED PARCEL BOUNDARY
- - - - - EXISTING UTILITY & DRAINAGE EASEMENT
- - - - - PROPOSED TRUCK TURN MOVEMENT
- - - - - EXISTING FENCE
- - - - - EXISTING STORM SEWER
- - - - - EXISTING GAS MAIN
- * EXISTING VEGETATION
- ⊕ EXISTING TRANSFORMER
- ▭ ▭ ▭ ▭ ▭ PROPOSED ASPHALT
- ▭ ▭ ▭ ▭ ▭ PROPOSED CONCRETE



Kimley»Horn
2024 KIMLEY-HORN AND ASSOCIATES, INC.
2 North Nevada Avenue, Suite 900
Colorado Springs, Colorado 80903 (719) 453-0180

DESIGNED BY: EJJ
DRAWN BY: RES
CHECKED BY: EJJ
DATE: 5/6/2024

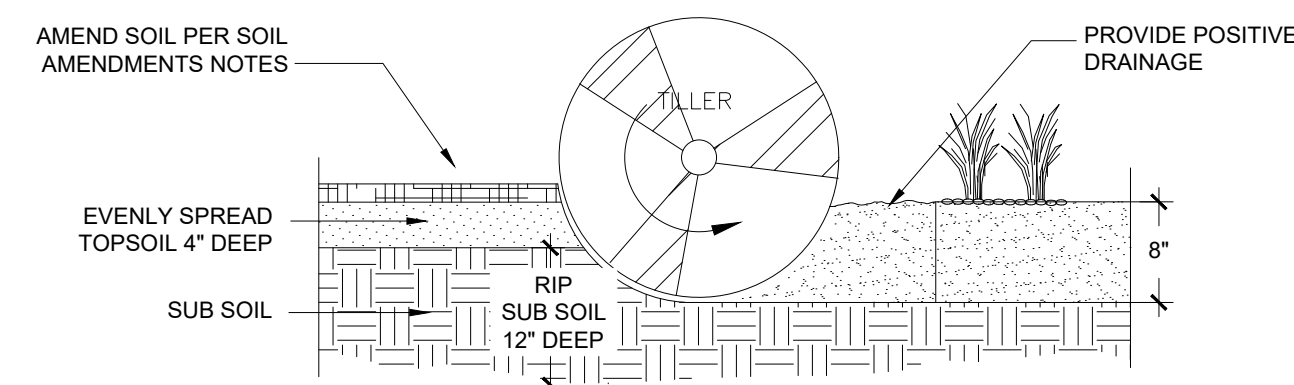
BARBARICK WASTE TRANSFER STATION
EL PASO COUNTY, COLORADO
CONSTRUCTION DOCUMENTS
LANDSCAPE PLAN



PROJECT NO. 196489000
SHEET L7.0

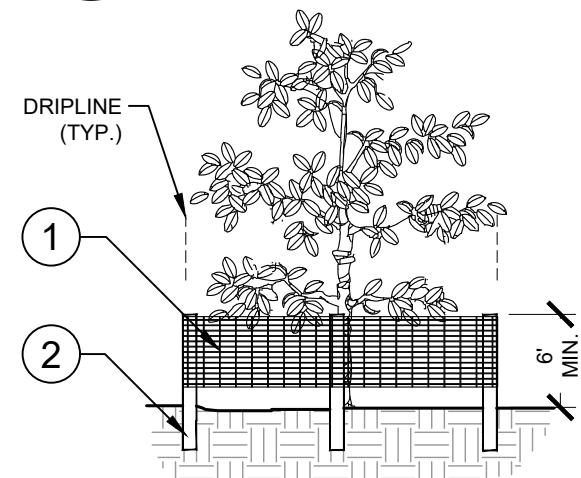
PCD FILE NO. COM2346

K:\COS_Civil\196489000_Barbarick Waste Transfer\CADD\PlanSheets\CDS\DP_LA.dwg Schnelbach, Ryan 5/7/2024 10:08 AM



- NOTES:**
1. TOPSOIL TO CONSIST OF DARK, LIGHT LOAM SOIL FREE OF ROCKS, ROOTS, AND FOREIGN MATERIALS.
 2. THE FERTILIZER APPLICATION SHOULD BE DELAYED IF PLANTING DOES NOT OCCUR WITHIN 2-3 DAYS OF FERTILIZING.
 3. COMPOST TO CONSIST OF 1 YEAR OLD ORGANIC MATERIAL AND SHOULD NOT INCLUDE CHICKEN MANURE.
 4. FROZEN MATERIALS OR MATERIALS GREATER THAN 1" DIA. SHOULD BE REMOVED.
 5. REFER TO SPECS FOR COMPLETE SOIL PREPARATION REQUIREMENTS.
 6. THE ROTO-TILLED PERIMETER SHOULD EXTEND TO A DISTANCE OF 1 FOOT BEYOND THE DIAMETER OF A SINGLE ROOT BALL.

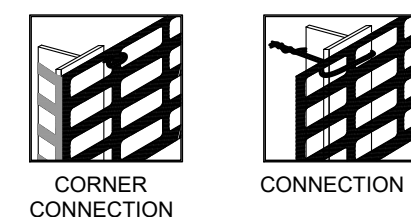
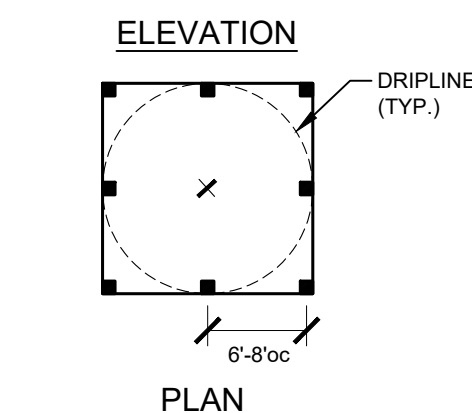
1 SOIL PREP
NTS 196-489-000-01



1. 6TH "PERIMETER PLUS" CONSTRUCTION FENCE BY CONWED PLASTICS OR OWNER'S REPRESENTATIVE APPROVED EQUAL. SUBMIT PRODUCT INFORMATION FOR APPROVAL PRIOR TO INSTALLATION.
2. 8' TALL METAL "T" POSTS OR 2' X 2' X 8' PRESSURE TREATED WOOD POSTS WITH 24" BURIAL BELOW GRADE.

INSTALLATION NOTES:

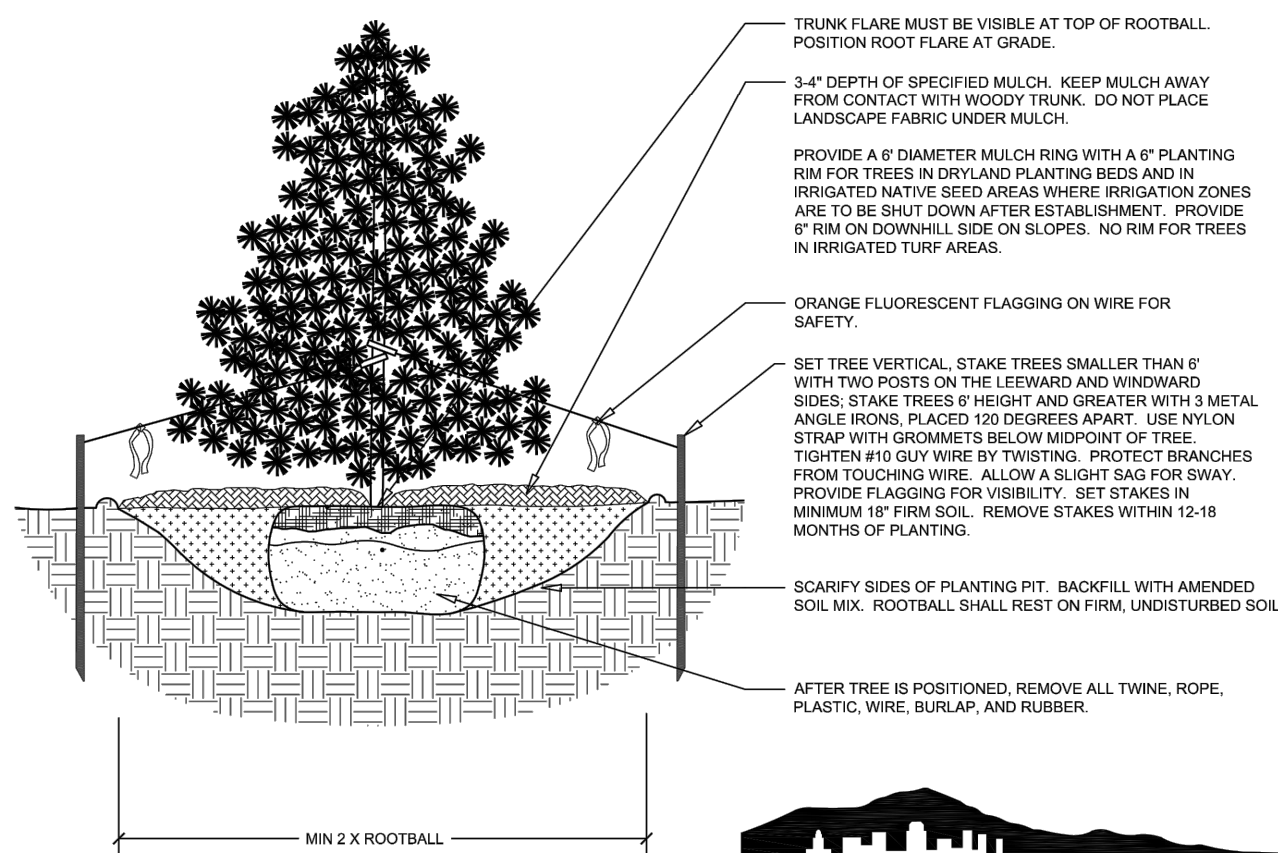
- A. POST SELECTION SHOULD BE BASED ON EXPECTED STRENGTH NEEDS AND THE LENGTH OF TIME FENCE WILL BE IN PLACE. FLEXIBLE FIBERGLASS ROD POSTS ARE RECOMMENDED FOR PARKS, ATHLETIC EVENTS AND CROWD CONTROL INSTALLATIONS. METAL "T" POSTS OR TREATED WOOD POSTS ARE TYPICALLY USED FOR CONSTRUCTION AND OTHER APPLICATIONS.
- B. POSTS SHOULD BE DRIVEN INTO THE GROUND TO A DEPTH OF 1/3 OF THE HEIGHT OF THE POST. FOR EXAMPLE, A 6' POST SHOULD BE SET AT LEAST 2' INTO THE GROUND.
- C. SPACE POSTS EVERY 6' (MIN.) TO 8' (MAX.).
- D. SECURE FENCING TO POST WITH NYLON CABLE TIES (AVAILABLE FROM CONWED PLASTICS). WOOD STRIPS MAY BE ALSO BE USED TO PROVIDE ADDITIONAL SUPPORT AND PROTECTION BETWEEN TIES AND POSTS.



NOTE: IF WIRE TIES ARE USED, AVOID DIRECT CONTACT WITH FENCE. WIRE MAY DAMAGE FENCE OVER TIME.

3 TREE PROTECTION FENCING
ELEVATION / PLAN NTS

- NOTES:**
1. DO NOT REMOVE OR CUT LEADER.
 2. PRUNE ONLY DEAD OR BROKEN BRANCHES IMMEDIATELY PRIOR TO PLANTING.
 3. DO NOT REMOVE ANY DOUBLE LEADER, UNLESS OTHERWISE DIRECTED BY OWNERS REPRESENTATIVE.
 4. KEEP PLANTS MOIST AND SHADED UNTIL PLANTING.
 5. AMENDED BACKFILL SHALL BE 1/3 COMPOST (PREFERABLY CLASSIFIED) AND 2/3 NATIVE AND/OR IMPORTED TOPSOIL.
 6. MARK THE NORTH SIDE OF TREE IN THE NURSERY, AND ROTATE TREE TO FACE NORTH AT THE SITE, WHENEVER POSSIBLE.
 7. PINE AND SPRUCE TREES TO BE SPRAYED FOR IPS BARK BEETLE PRIOR TO PLANTING. COORDINATE WITH CITY FORESTRY FOR CURRENT INSECT AND DISEASE RECOMMENDATIONS PRIOR TO PLANTING.
 8. ALL TREES TO BE DEEP WATERED AT TIME OF PLANTING.
 9. ALL TREES LOCATED IN ROCK/COBBLE BEDS SHALL HAVE A 36 INCH DIAMETER WOOD MULCH RING.



Disclaimer: These planting details are for City review and approval process and shall not be used for construction or bidding purposes. Rev: 6-6-2023

2 EVERGREEN TREE PLANTING
NTS 196-489-000-12

Table B. El Paso County All-Purpose Low Grow Mix for Upland and Transition Areas

Common Name	Scientific Name	Growth Season/Form	% of Mix	Pounds PLS	Pounds PLS	Pounds PLS
				• Irrigated broadcast • Irrigated hydroseeded (80 seeds/sq ft)	• non-irrigated broadcast • non-irrigated hydroseeded • irrigated drilled (40 seeds/sq ft)	• non-irrigated drilled (20 seeds/sq ft)
Buffalograss	<i>Buchloe dactyloides</i>	Warm, sod	25	9.6	4.8	2.4
Blue Grama	<i>Bouteloua gracilis</i>	Warm, bunch	20	10.8	5.4	2.7
Sideoats Grama	<i>Bouteloua curtipendula</i>	Warm, bunch	29	5.6	2.8	1.4
Green Needlegrass	<i>Nassella viridula</i>	Cool, bunch	5	3.2	1.6	0.8
Western Wheatgrass	<i>Pascopyrum smithii</i>	Cool, sod	20	12.0	6.0	3.0
Sand Dropseed	<i>Sporobolus cryptandrus</i>	Warm, bunch	1	0.8	0.4	0.2
Seed rate (lbs PLS/acre)				42.0	21.0	10.3

LANDSCAPE SETBACKS AND BUFFERS

STREET NAME OR BOUNDARY:	NORTH BNDY	SOUTH BNDY	SOUTH BUFFER	EAST BUFFER	WEST BNDY
ZONE DISTRICT BOUNDARY:	NO	NO	YES	YES	NO
STREET CLASSIFICATION:	N/A	N/A	N/A	N/A	N/A
SETBACK DEPTH REQUIRED / PROVIDED:	0 / 0	0 / 0	25' / 25'	15' / 15'	0 / 0
LINEAR FOOTAGE:	647'	310'	340'	356'	355'
TREE PER FEET REQ.:	N/A	N/A	1 TREE PER 25 LF	1 TREE PER 25 LF	N/A
NUMBER OF TREES REQ. / PROV.:	N/A	N/A	14 / 14	15 / 15	N/A
EVERGREEN TREES REQ. / PROV.:	N/A	N/A	5 / 14	5 / 15	N/A
SHRUB SUBSTITUTES REQ. / PROV.:	N/A	N/A	N/A	N/A	N/A
ORN. GRASS SUBSTITUTES REQ. / PROV.:	N/A	N/A	N/A	N/A	N/A
OPAQUE SCREEN REQ. / PROV.:	N/A	N/A	340' / 340'	N/A	N/A
PLANT ABBREVIATION DENOTED ON PLAN:	N/A	N/A	SB	EB	N/A
% GROUND PLANE VEG. REQ. / PROV.:	N/A	N/A	75% / 100%	75% / 75%	N/A

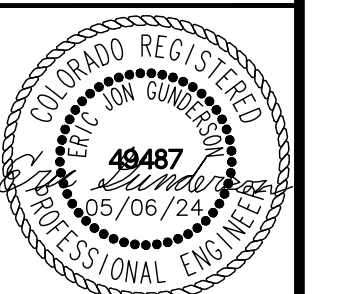
INTERNAL LANDSCAPING

GROSS SITE AREA:	230,422 SF (5.29 AC)
PERCENT MINIMUM INTERNAL AREA:	5%
INTERNAL LANDSCAPE AREA REQ. / PROV.:	11,521 SF / 50,413 SF
TREE PER FEET REQ.:	1 TREE PER 500 SF
INTERNAL TREES REQ. / PROV.:	23 / 28
SHRUB SUBSTITUTES REQ. / PROV.:	N/A
ORN. GRASS SUBSTITUTES REQ. / PROV.:	N/A
PLANT ABBREVIATION DENOTED ON PLAN:	IN
% GROUND PLANE VEG. REQ. / PROV.:	75% / 100%

Kimley»Horn
2024, KIMLEY-HORN AND ASSOCIATES, INC.
2 North Inland Avenue, Suite 900
Colorado Springs, Colorado 80903 (719) 453-0180

DESIGNED BY: EJJ
DRAWN BY: RES
CHECKED BY: EJJ
DATE: 5/6/2024

BARBARICK WASTE TRANSFER STATION
EL PASO COUNTY, COLORADO
CONSTRUCTION DOCUMENTS
LANDSCAPE DETAILS



PROJECT NO.
196489000

SHEET

L7.2

PCD FILE NO. COM2346