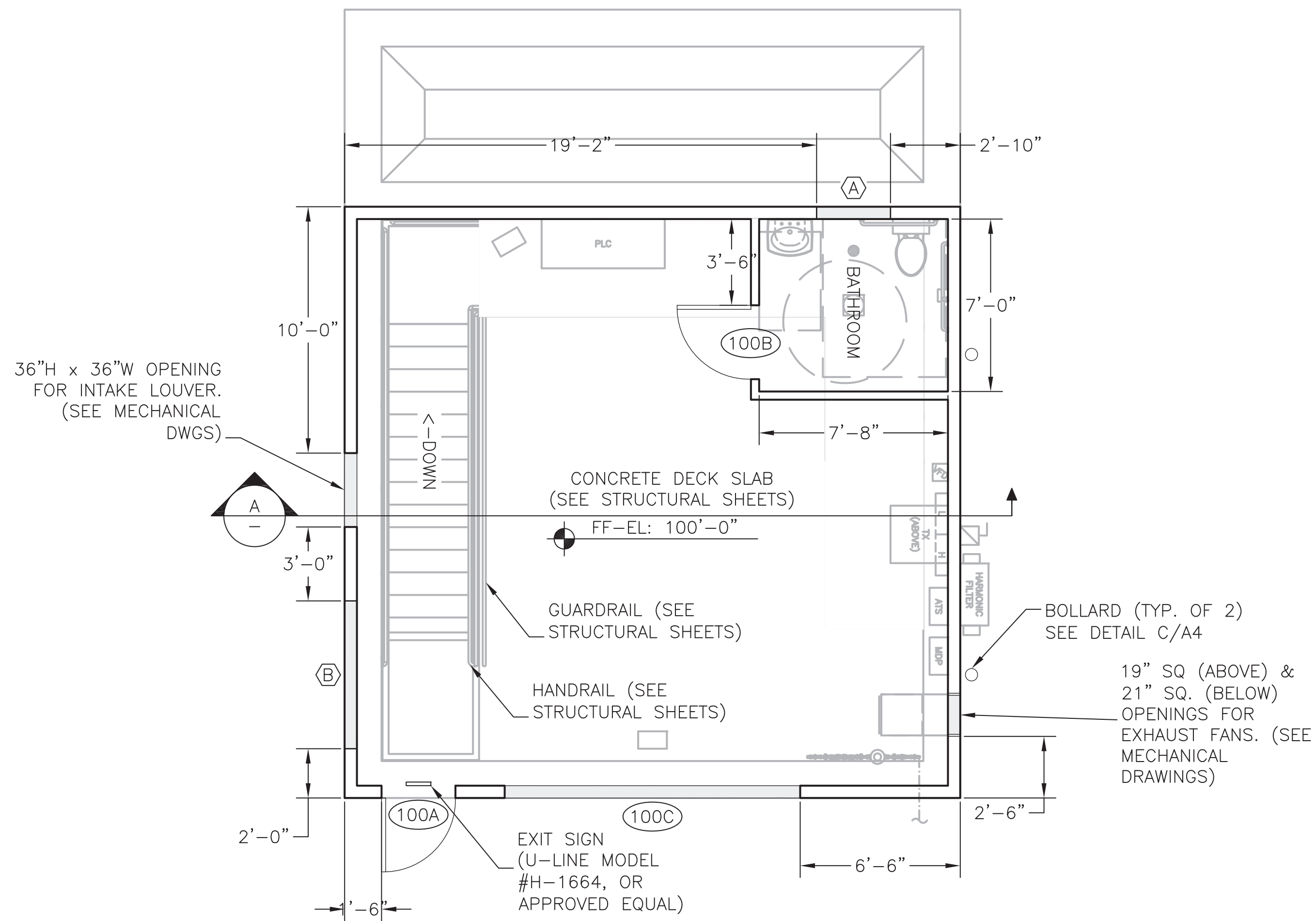
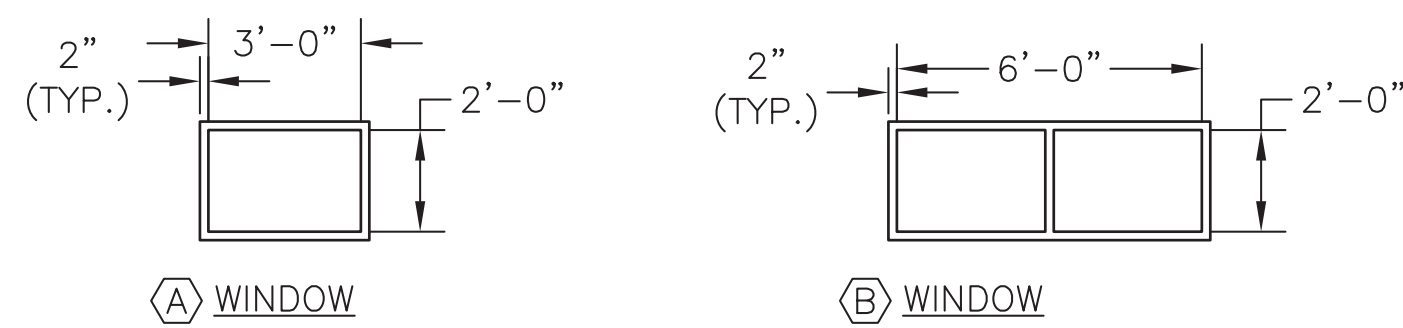


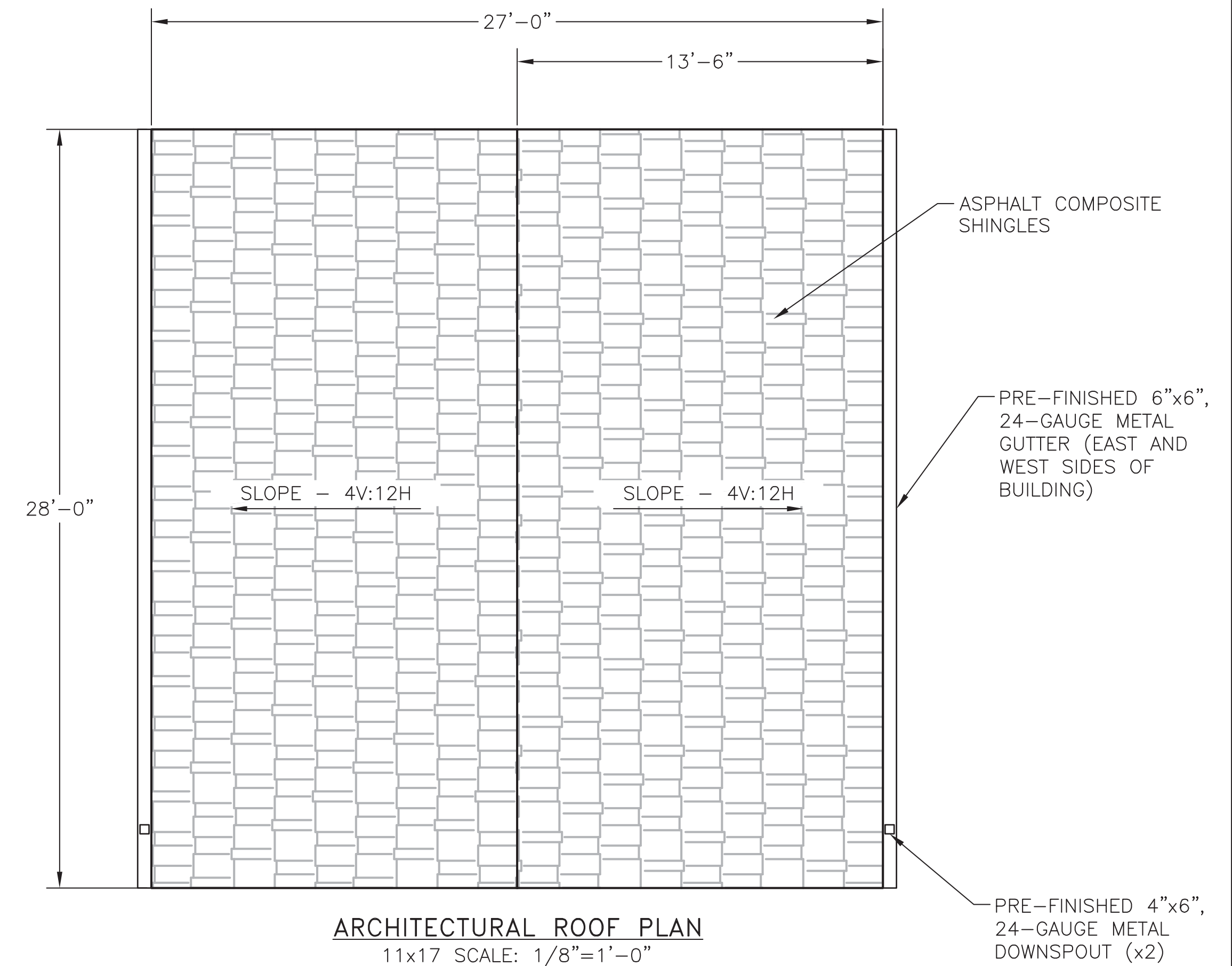
u:\JDS-Hydro\Projects\136-23 4-Way Ranch\136-23 LS Site Development\Plan\Drawings\13623-5-Arch-FP-Elev.dwg 2018/10/30 12:28 PM By: RMM



ARCHITECTURAL FLOOR PLAN
 11x17 SCALE: 1/8"=1'-0"
 24x36 SCALE: 1/4"=1'-0"



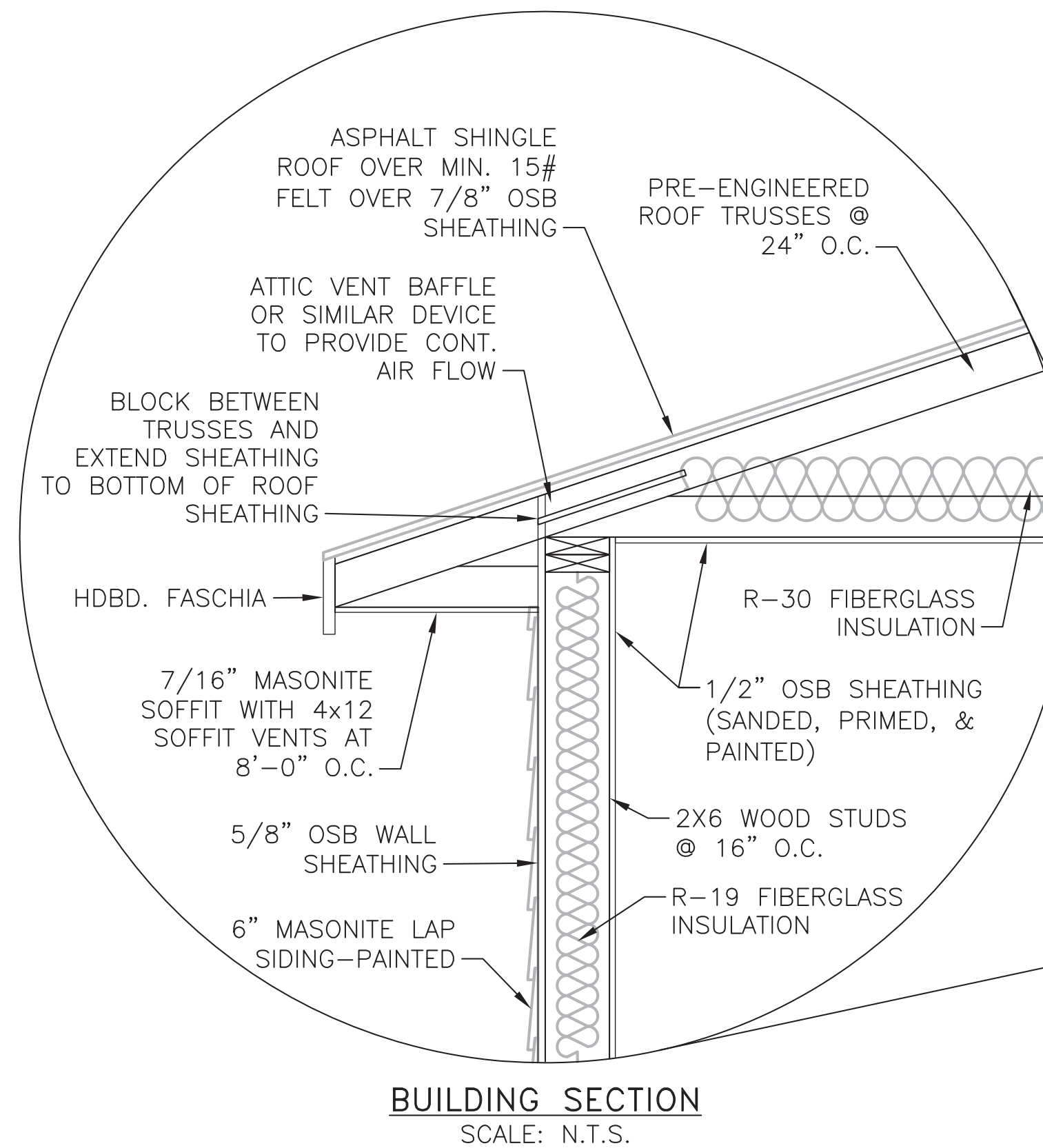
DOOR/WINDOW SCHEDULE						REMARKS
NO./MARK	SIZE	DOOR MAT'L.	DOOR FINISH	FRAME MAT'L.	FRAME FINISH	
100A	3'-0" x 7'-0"	HM	PAINT	HM	PAINT	<ul style="list-style-type: none"> INSULATED, 14 GAUGE, HOLLOW METAL, FLUSH-FACE DOOR W/ SHOP PRIMER FOR FIELD-PAINTING. HOLLOW METAL FRAME W/ FACTORY WELDED CORNERS. SHOP PRIME FOR FIELD PAINT.
100B	3'-0" x 7'-0"	HM	PAINT	HM	PAINT	<ul style="list-style-type: none"> 18 GAUGE, HOLLOW METAL, FLUSH-FACE DOOR W/ SHOP PRIMER FOR FIELD-PAINTING. HOLLOW METAL FRAME W/ FACTORY WELDED CORNERS. SHOP PRIME FOR FIELD PAINT.
100C	12'-0" WIDE 10'-0" HIGH	STEEL	PAINT	WOOD	PAINT	<ul style="list-style-type: none"> 2-INCH THICK, INSULATED STEEL SECTIONAL OVERHEAD DOOR. 26 GA. EXTERIOR STEEL. 29 GA. INTERIOR STEEL. POLYSTYRENE INSULATION (MIN. R VALUE OF 9). HARDWARE PER MANUFACTURER.
(A)	3'-0" WIDE 2'-0" HIGH			VINYL	VINYL	<ul style="list-style-type: none"> NON-OPERABLE, WOOD CORE W/ VINYL EXTERIOR FRAME MOUNT 4'-6" A.F.F. LOW-E4 GLASS - SHGC OF 0.34 (OR APPROVED EQUAL)
(B)	6'-0" WIDE 2'-0" HIGH			VINYL	VINYL	<ul style="list-style-type: none"> NON-OPERABLE, WOOD CORE W/ VINYL EXTERIOR FRAME MOUNT 4'-6" A.F.F. LOW-E4 GLASS - SHGC OF 0.34 (OR APPROVED EQUAL)



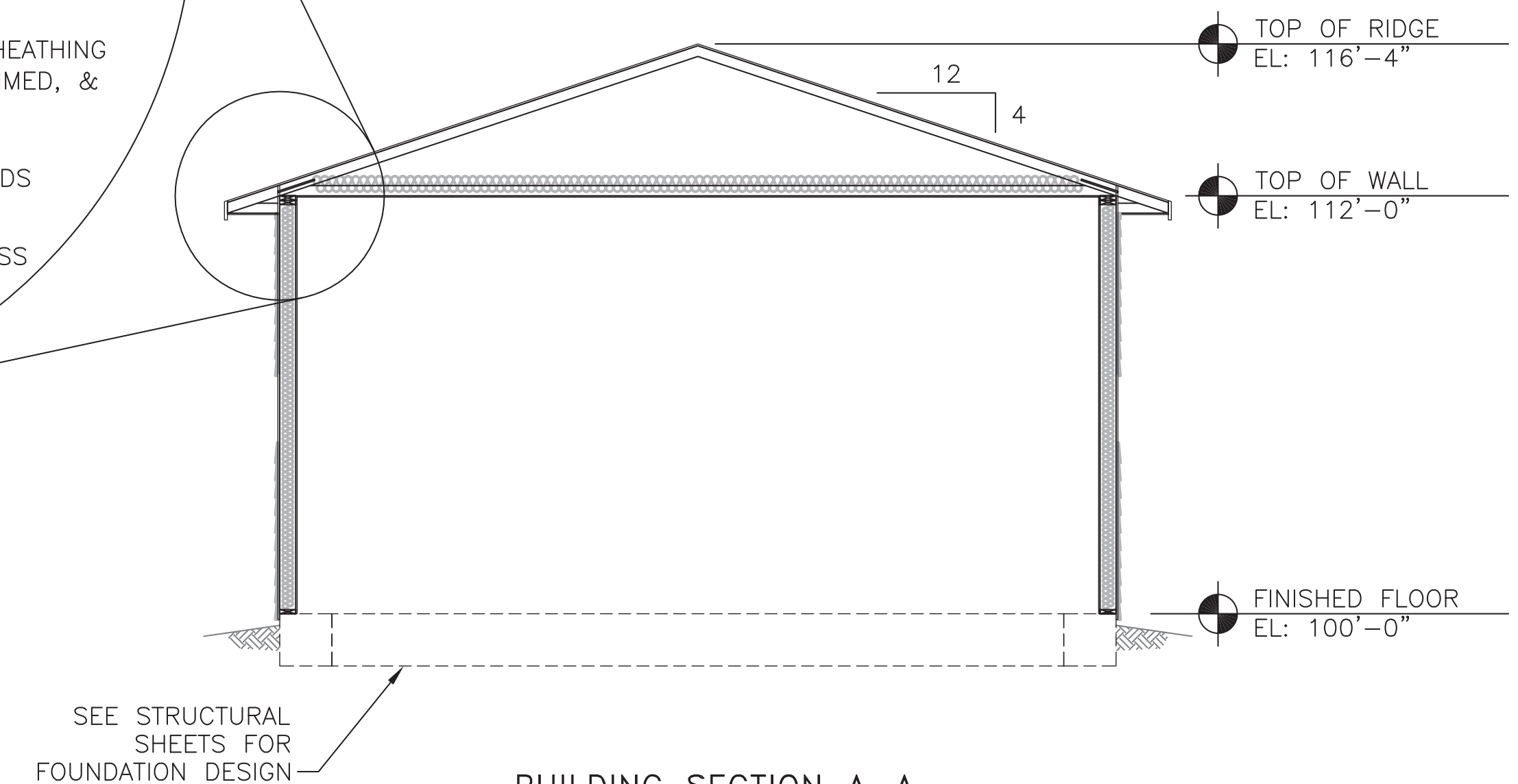
ARCHITECTURAL ROOF PLAN
 11x17 SCALE: 1/8"=1'-0"
 24x36 SCALE: 1/4"=1'-0"

NOTE:

- OWNER TO SELECT ALL INTERIOR AND EXTERIOR MATERIAL COLORS. SEE SPECS FOR FINISHES. VERIFY COLOR WITH OWNER PRIOR TO FABRICATION.



BUILDING SECTION
 SCALE: N.T.S.



BUILDING SECTION A-A
 11x17 SCALE: 1/8"=1'-0"
 24x36 SCALE: 1/4"=1'-0"

NO.	DESCRIPTION	BY	APP.	DATE
1				
2				
3				
4				
5				
6				
7				

100% DESIGN DRAWINGS

Project No.: 136.23
 Date: 10/25/18
 Design: RMM
 Drawn: RMM
 Check: JPM