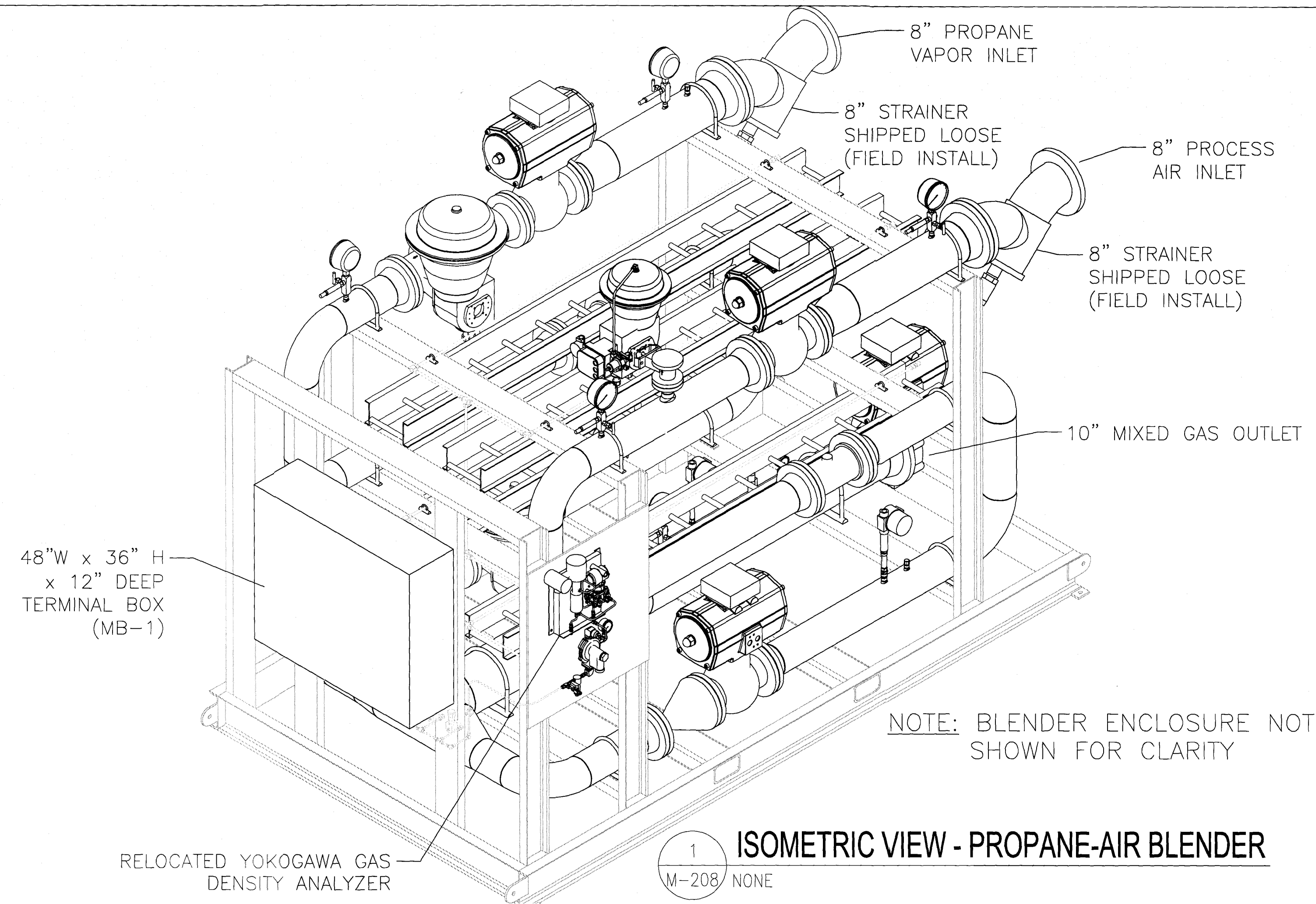
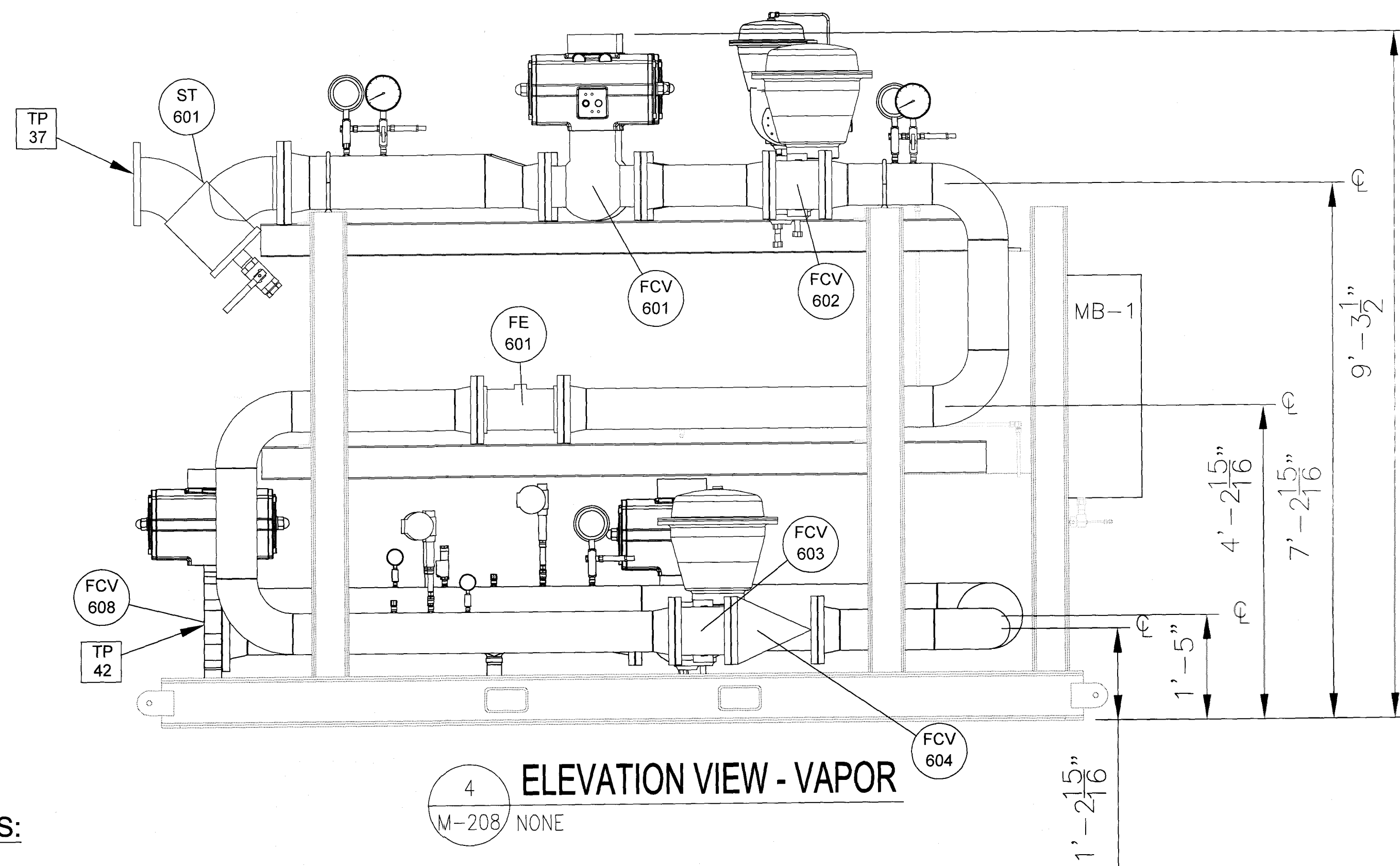


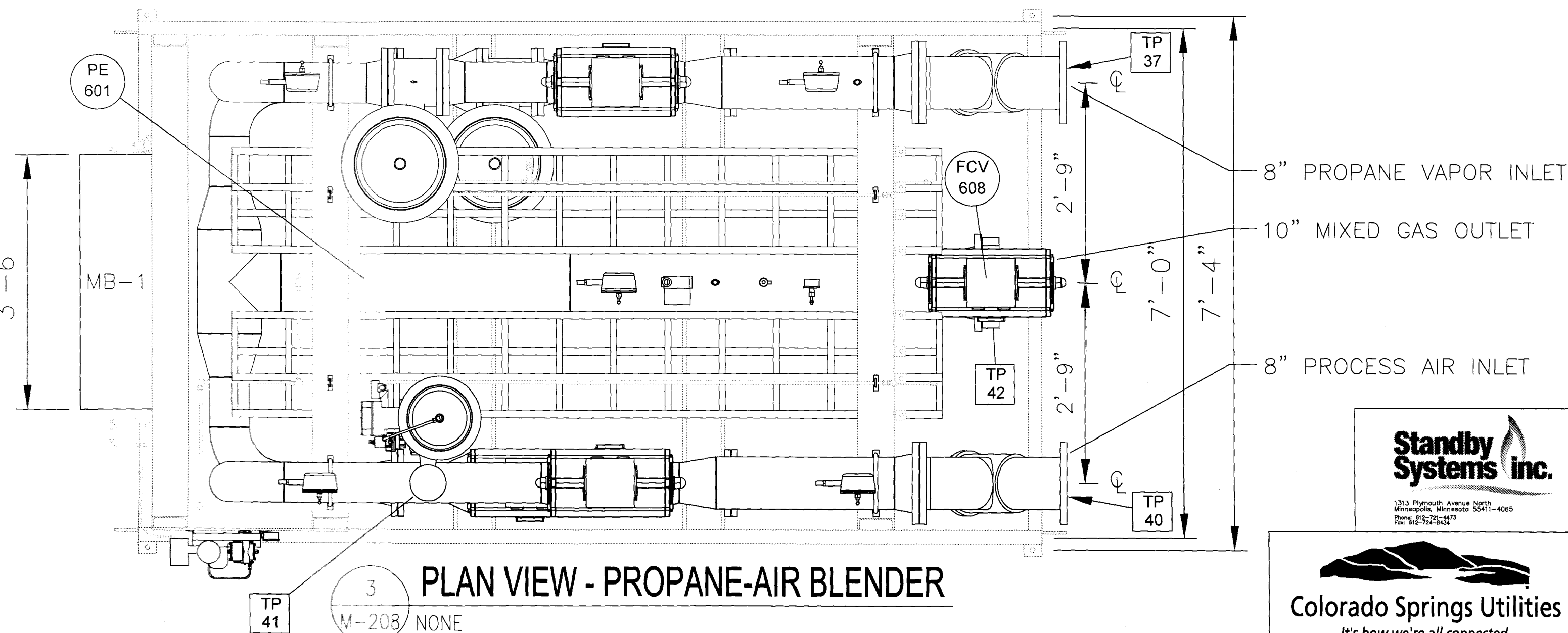
2 ELEVATION VIEW - AIR
M-208 NONE



1 ISOMETRIC VIEW - PROPANE-AIR BLENDER
M-208 NONE



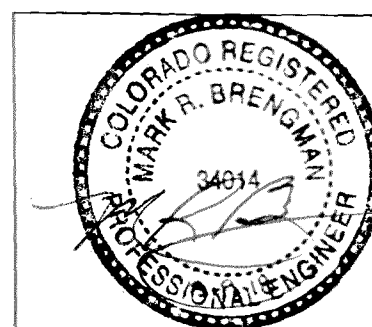
4 ELEVATION VIEW - VAPOR
M-208 NONE



3 PLAN VIEW - PROPANE-AIR BLENDER
M-208 NONE

NOTES:

- SEE DRAWING 11583-M-213 FOR TIE-IN POINT LIST
- FOR DIMENSIONAL PLAN OF PROPANE-AIR BLENDER AREA SEE DRAWING 11583-M-203



STEEN
ENGINEERING INC.
763-585-6742
763-585-6757 fax
Email: steen@steeneng.com
5430 Douglas Drive North
Crystal, MN 55429
Steen Job #SSI201701

REV.	DATE	DESCRIPTION	APPD.	DRAWN BY
12				
11				
10				
9				
8				
7				
6				
5				
4				
3	1-25-18	IFC SUBMITTAL	AKK	
2	11-8-17	REMOVED CENTERLINES	AKK	
1	10-20-17	FOR REVIEW	AKK	

ORIG. DESIGN		ED. DATE		ED. #	
ORIG. ISSUE DATE		ORIG. DATE		ORIG. #	
REVISION #		REVISION DATE		REVISION #	
STANDBY SYSTEMS, INC.		PROJ. #		SHEET #	
		PROPANE-AIR SYSTEM		11583	
		FILE #		SHOP DWG.	



Colorado Springs Utilities
It's how we're all connected

COLORADO SPRINGS UTILITIES	
PROPANE-AIR PLANT	
PLAN AND ELEVATION, PROPANE AIR BLENDER	

