



Submittal #113.0 - Division 03_Pond and Forebay Shop Drawings

Revision	0	Submittal Manager	Asia Stewart (Sub 4 Development Company, LLC)
Status	Open	Date Created	Jun 9, 2022
Issue Date	Jun 9, 2022	Spec Section	
Responsible Contractor	Araco Concrete Contractor, LLC	Received From	Jose Burgos (Araco Concrete Contractor, LLC)
Received Date	Jun 9, 2022	Submit By	Jun 9, 2022
Final Due Date	Jun 15, 2022	Lead Time	
		Cost Code	
Location		Type	Shop Drawing
Approvers	Jeremiah Boudreau (Sub 4 Development Company of Colorado, LLC), Annie Swan (LCM Consultants), Jonathan Frink (LCM Architects)		
Ball in Court	Jeremiah Boudreau (Sub 4 Development Company of Colorado, LLC)		
Distribution	Annie Swan (LCM Consultants), Jose Burgos (Araco Concrete Contractor, LLC), Jonathan Frink (LCM Architects), Todd Douglas (LCM Architects), Cory Carlton (Sub 4 Development Company, LLC), Jeremiah Boudreau (Sub 4 Development Company of Colorado, LLC)		
Description	Rebar drawings for Pond A and Pond B Rebar drawings for Forebay A1, A2, B1, B2		

Submittal Workflow

Name	Sent Date	Due Date	Returned Date	Response	Attachments
General Information Attachments					RF12 & RF12A_FND_REV.0 (FOREBAY B1 & B2).pdf RF11_FND_REV.0 (FOREBAY A1 & A2).pdf RF14_FND_REV.0 (POND B).pdf RF13_FND_REV.0 (POND A).pdf
Jeremiah Boudreau	Jun 9, 2022	Jun 9, 2022		Pending	<input type="checkbox"/> NO EXCEPTION TAKEN TO ITEM(S) SUBMITTED <input checked="" type="checkbox"/> MAKE CORRECTIONS NOTED <input checked="" type="checkbox"/> REVISE AND RESUBMIT <input type="checkbox"/> REJECTED <input type="checkbox"/> SUBMIT SPECIFIED ITEM(S) Checking is only for general conformance with the design concept of the project and general compliance with the information given in the Contract Documents. Any Action shown is subject to the requirements of the plans and specifications. Contractor is responsible for: dimensions which shall be confirmed and correlated at the job site; fabrication processes and techniques of construction; coordination of contractors work with that of all other trades and the satisfactory performance of their work. JR ENGINEERING, LLC By <u>DRC</u> Date <u>6/13/2022</u>
Annie Swan		Jun 13, 2022		Pending	
Jonathan Frink		Jun 15, 2022		Pending	



This Submittal has been reviewed for general compliance with the plans and specifications. This review and the response indicated below shall not relieve the subcontractor/supplier of any contractual responsibilities required for a complete, properly functioning product, including but not necessarily limited to the furnishing of all items including all required accessories and coordination with the Contract Documents and the Work of other trades.

Subcontractor is responsible for all detailing work, confirmation of all required material quantities, dimensions, and compliance with applicable building codes.

Reviewed: Jeremiah Boudreau

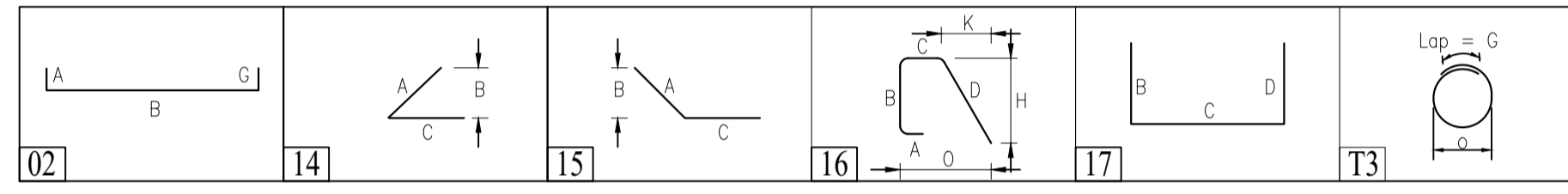
Reviewed with Changes Noted:

Revise & Resubmit:

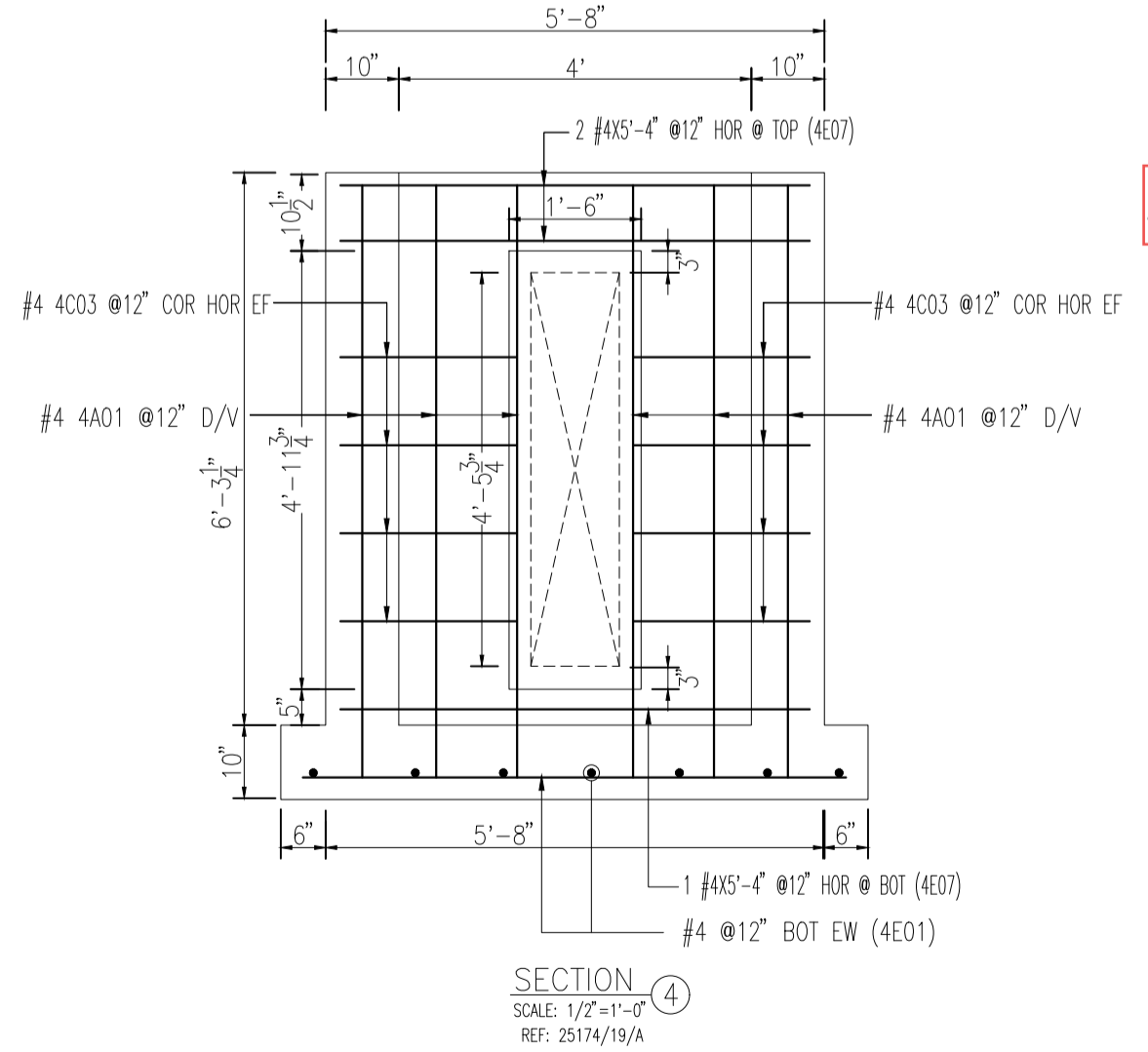
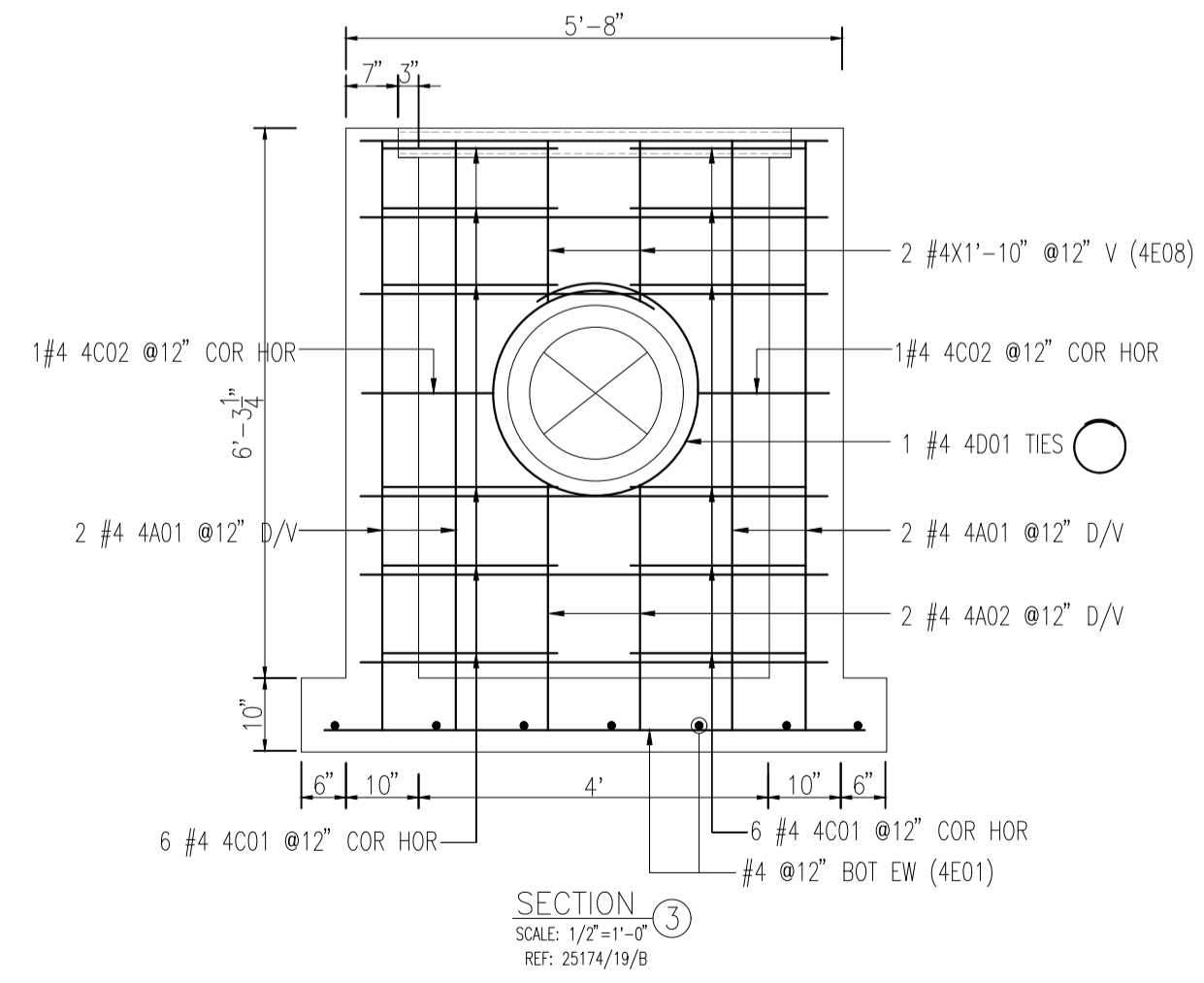
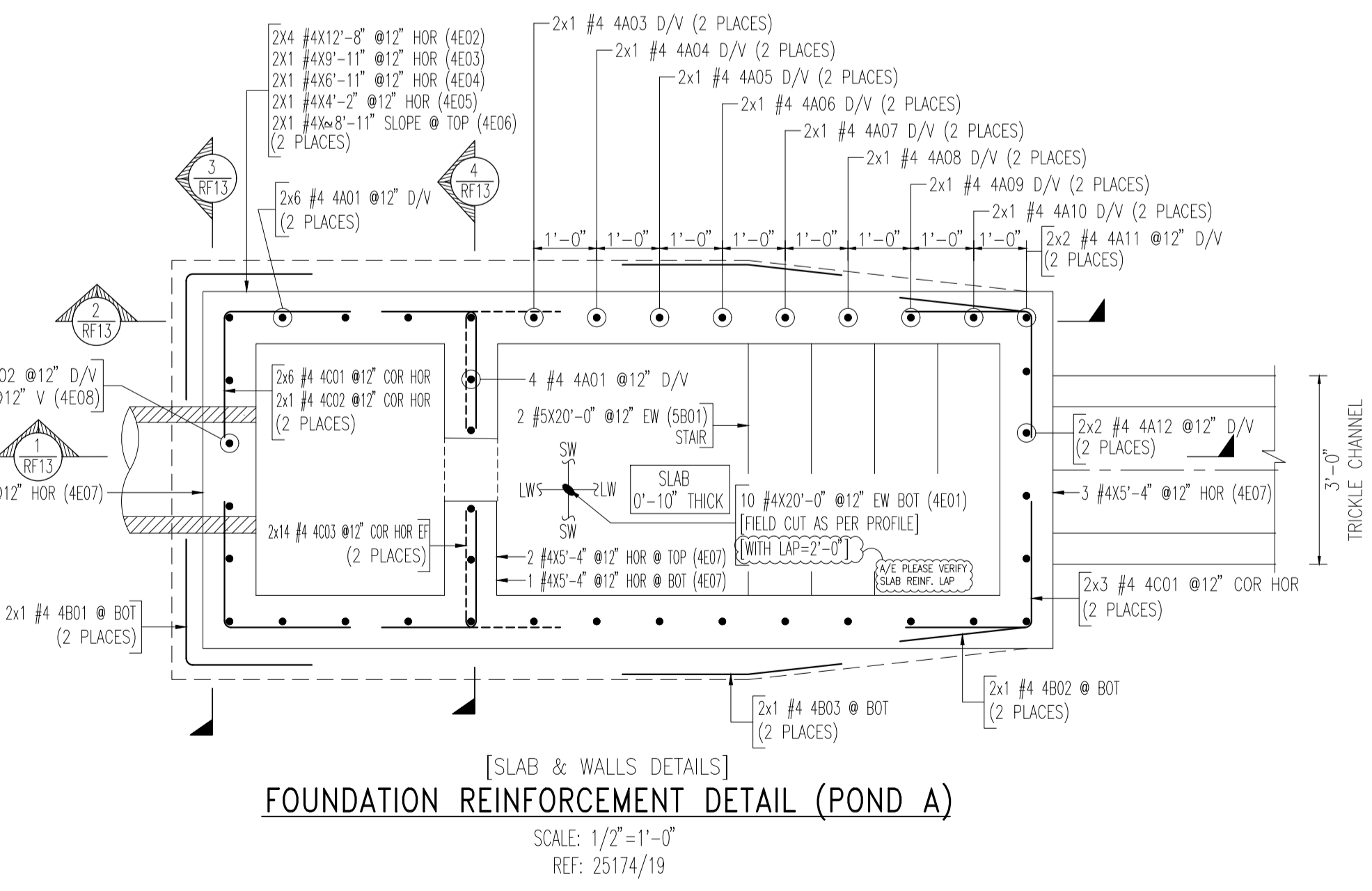
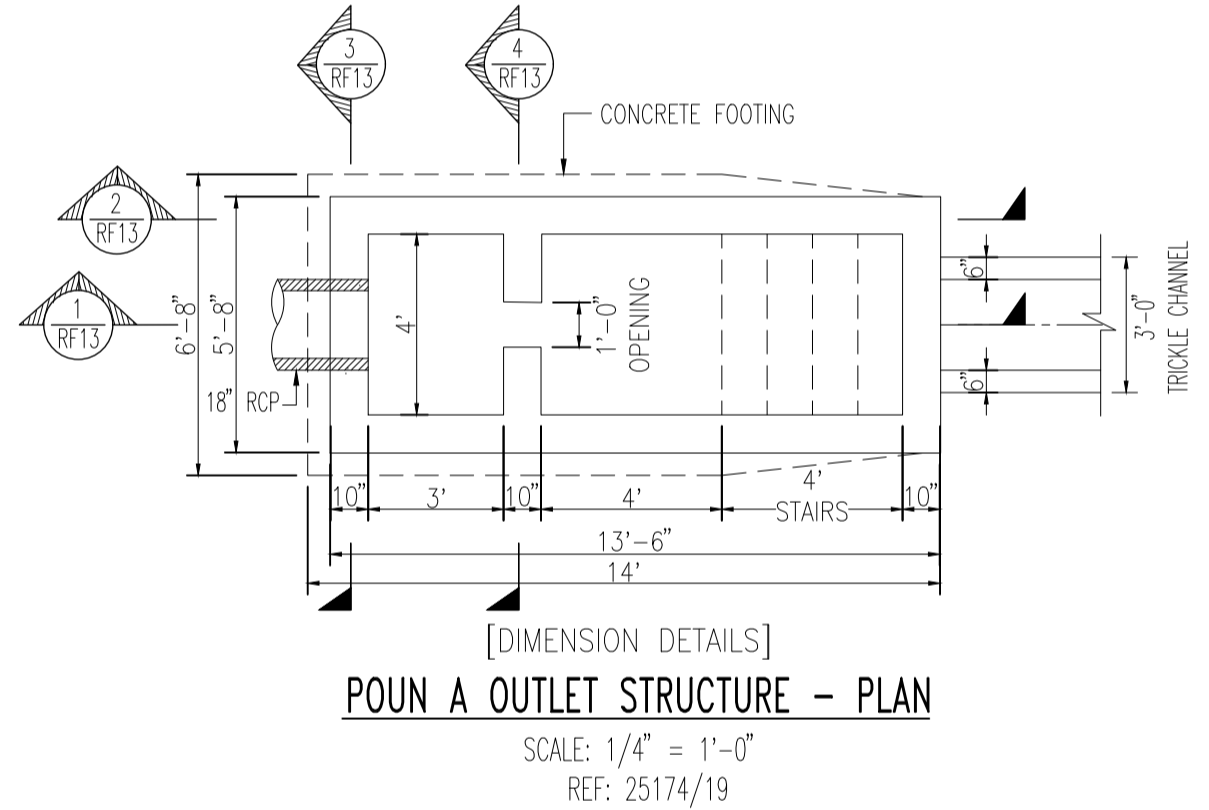
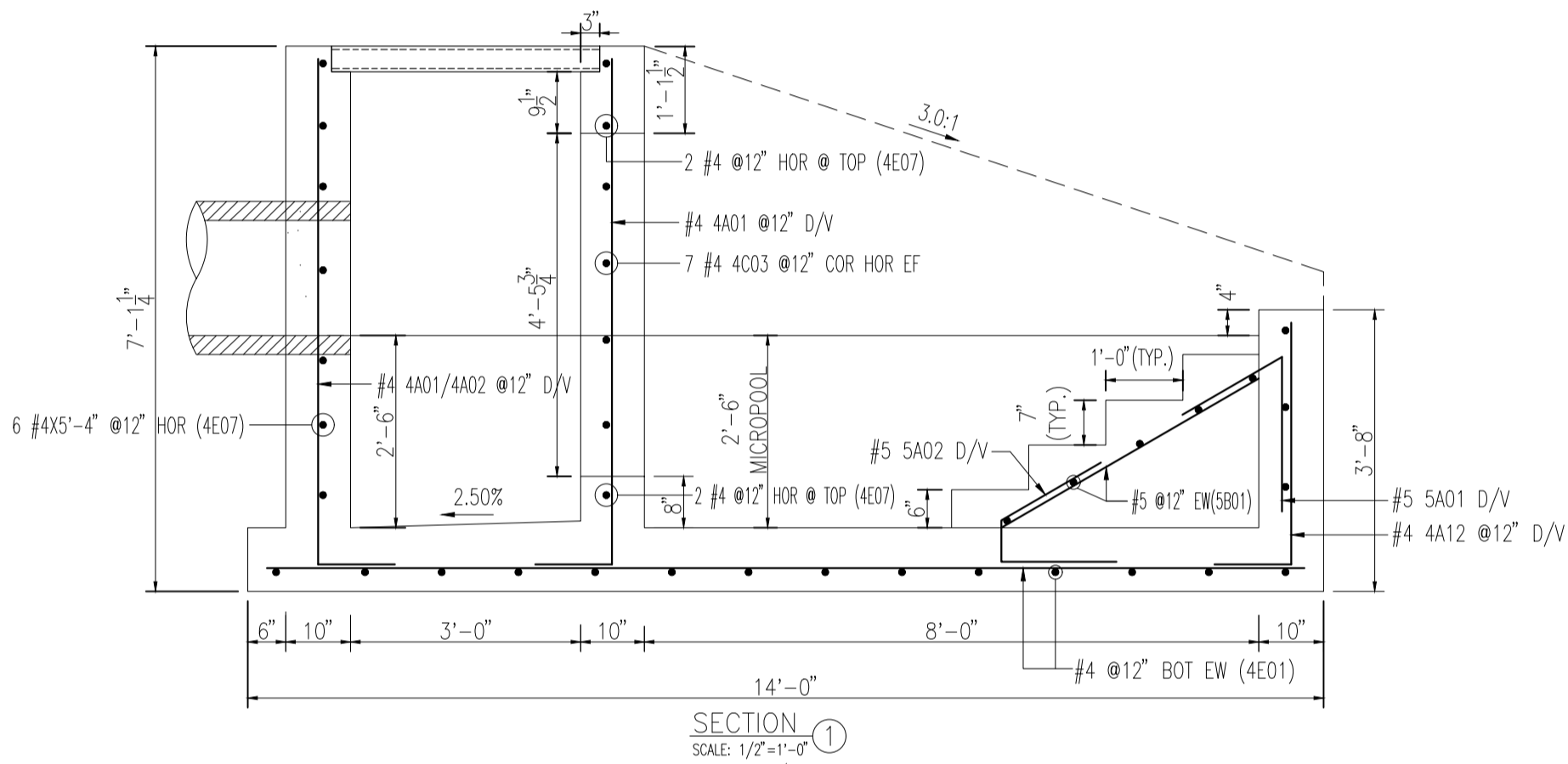
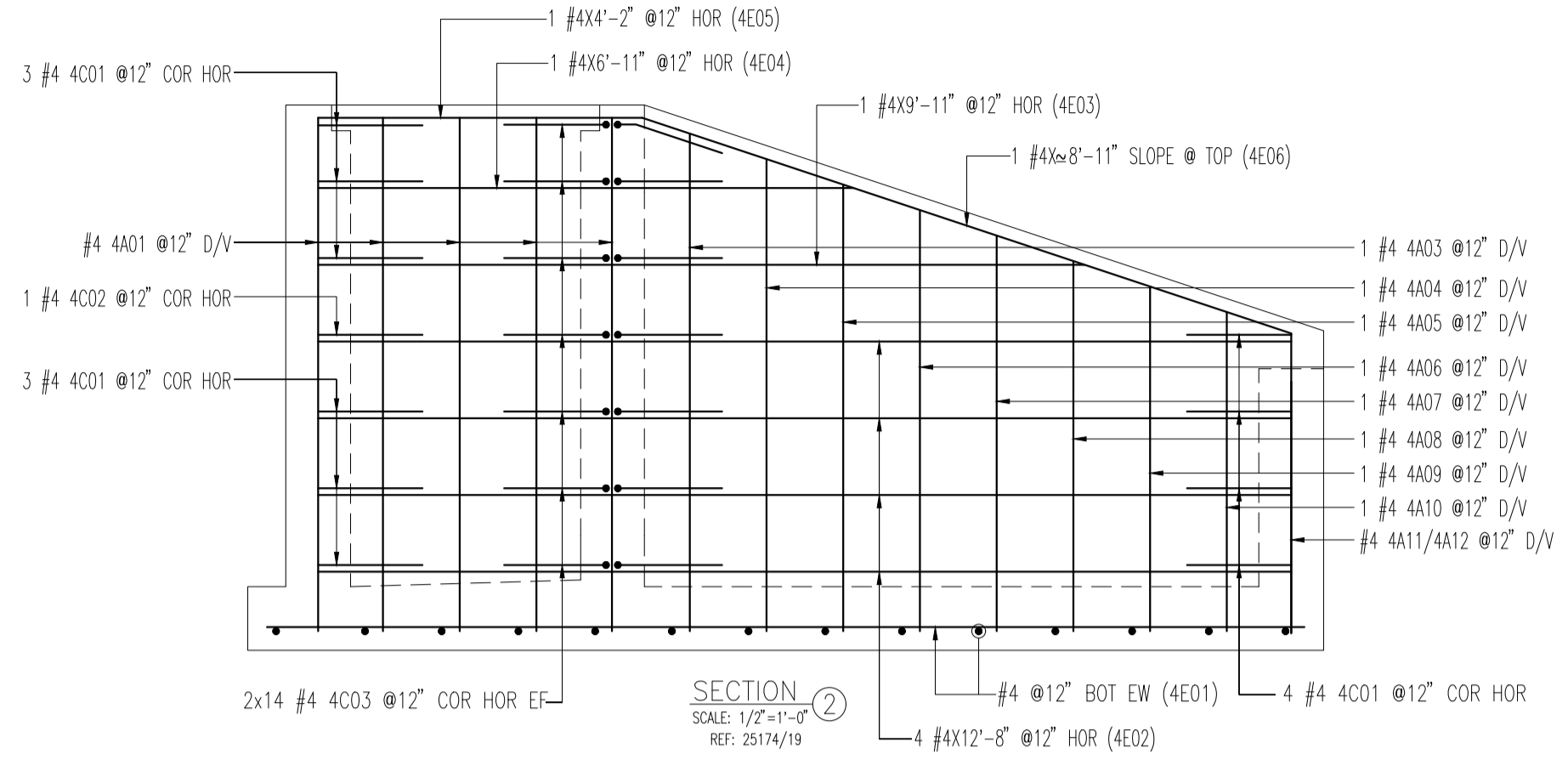
Rejected:

Please make the following corrections:
 - See red markups

Release Code: RF13		BENDING DETAILS														Total length of bar	Weight (Tonnage)	
Bar Mark	Qty	Size	Length of Rebar	Type	'A'	'B'	'C'	'D'	'E'	'F'	'G'	'H'	'J'	'K'	'O'			'R'
5A01	4	#5	3'-6"	14	1'-6"	1'-3 1/4"	2'-0"										14'-4"	6.5709
5A02	4	#5	3'-7"	16		1'-6"	0'-7"	1'-6"					1'-3 1/4"		0'-9"	1'-3 1/4"		6.725
5B01	2	#5	20'-0"	2		20'-0"											40'-0"	18.774
4A01	16	#4	7'-8"	2	1'-0"	6'-8"											122'-8"	36.874
4A02	2	#4	3'-9"	2	1'-0"	2'-9"											7'-6"	2.254
4B01	2	#4	4'-0"	17			2'-0"	2'-0"									8'-0"	2.404
4B02	2	#4	4'-0"	15	2'-0"	1'-11 1/2"	2'-0"										8'-0"	2.404
4B03	2	#4	3'-6"	15	2'-0"	0'-2"	1'-6"										7'-0"	2.104
4C01	18	#4	4'-0"	17			2'-0"	2'-0"									72'-0"	21.643
4C02	2	#4	4'-0"	17			2'-0"	2'-0"	1'-6"								8'-0"	2.404
4C03	28	#4	3'-4"	17			1'-10"	1'-6"									93'-4"	28.054
4D01	1	#4	8'-10"	13						1'-4"					2'-4 1/4"		8'-10"	2.654
4E01	10	#4	20'-0"	2		20'-0"											200'-0"	60.120
4E02	8	#4	12'-8"	2		12'-8"											101'-4"	30.459
4E03	2	#4	9'-11"	2		9'-11"											19'-10"	5.960
4E04	2	#4	6'-11"	2		6'-11"											13'-10"	4.157
4E05	2	#4	4'-2"	2		4'-2"											8'-4"	2.503
4E06	2	#4	8'-11"	2		8'-11"											17'-10"	5.359
4E07	12	#4	5'-4"	2		5'-4"											64'-0"	19.238
4E08	2	#4	1'-10"	2		1'-10"											3'-6"	1.103
Varies to																		
4A03	2	#4	7'-5"	2	1'-0"	6'-5"											14'-10"	4.457
4A04	2	#4	7'-1"	2	1'-0"	6'-1"											14'-2"	4.256
4A05	2	#4	6'-9"	2	1'-0"	5'-9"											13'-6"	4.058
4A06	2	#4	6'-5"	2	1'-0"	5'-5"											12'-10"	3.856
4A07	2	#4	6'-1"	2	1'-0"	5'-1"											12'-2"	3.655
4A08	2	#4	5'-9"	2	1'-0"	4'-9"											11'-6"	3.456
4A09	2	#4	5'-5"	2	1'-0"	4'-5"											10'-10"	3.255
4A10	2	#4	5'-1"	2	1'-0"	4'-1"											10'-2"	3.054
4A11	4	#4	4'-9"	2	1'-0"	3'-9"											19'-0"	5.711
4A12	2	#4	4'-3"	2	1'-0"	3'-3"											8'-6"	2.555



ABBREVIATIONS	
Top & Bottom	T&B
Bottom	BOT
Middle	MID
Continuous	CONT
Corner Bar	COR
Dowel cum Vertical	D/V
Vertical	V[or]VERT
HORIZONTAL	H[or]HOR
Each way	EW
Each Side	ES
Each Face	EF
Inner Face	IF
Outer Face	OF
Masonry Dowel	M DWL
Top of footing	T/FTG.
Top of Slab on Grade	T/SOG.
Reinforcement	REINF.
Typical	TYP.
Reference	REF
Clear cover	CLR
Schedule	SCHED
Concrete	CONC.
Elevation	EL.
Revision	REV
Standard	STD
Foundation	FDN
Bar bending schedule	BBS
Unless noted otherwise	U.N.O
Pounds Per Square Inch	PSI
Not To Scale	NTS
Dimension	DIM
Drawing	DWG
American Society of Testing and Materials	ASTM



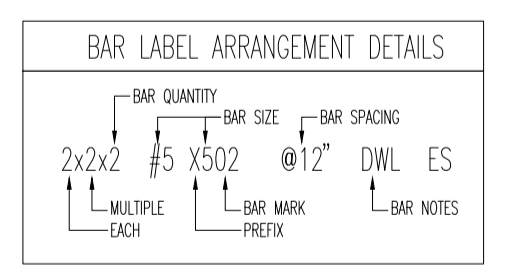
use 4500 psi concrete (typ)

LAP SCHEDULE [FOR FND & WALL]		
SIZE	4000 PSI	
	TOP	OTHERS
#3	15"	12"
#4	19"	15"
#5	24"	19"
#6	29"	23"

REF:

Refer to M601-20 for lap lengths

A/E PLEASE VERIFY LAP VALUE



PLEASE VERIFY ALL CLOUDED ITEMS. IT WILL BE UNDERSTOOD THAT ALL CLOUDED ITEMS RETURNED FROM APPROVAL WITHOUT COMMENT ARE CORRECT AS SUBMITTED.

FOR APPROVAL

COVER DETAILS			
ELEMENT	TOP	BOT.	SIDES
SLAB ON GRADE	-	-	2"
CONC.WALL	2"	-	2"

ALL REINFORCING BARS SHALL CONFORM TO ASTM A615 GRADE 60 UNLESS NOTED OTHER WISE. THIS DRAWING TO BE USED FOR REBAR PLACEMENT ONLY. USE THIS DRAWING IN CONJUNCTION WITH CONTRACT DOCUMENTS.

04.13.2022	DATE
GCN	BY
FOR APPROVAL	REVISION DESCRIPTION
REV	REV

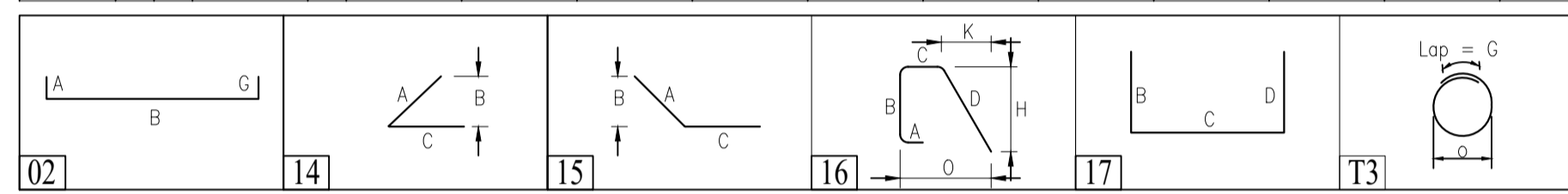
3380 Astrozon Blvd,
Colorado Springs, CO 80910
(719) 576-1705
araco@aracoconcrete.com

Araco Group LLC
Concrete • Asphalt • Paving • Estimating
Civil • Pumping

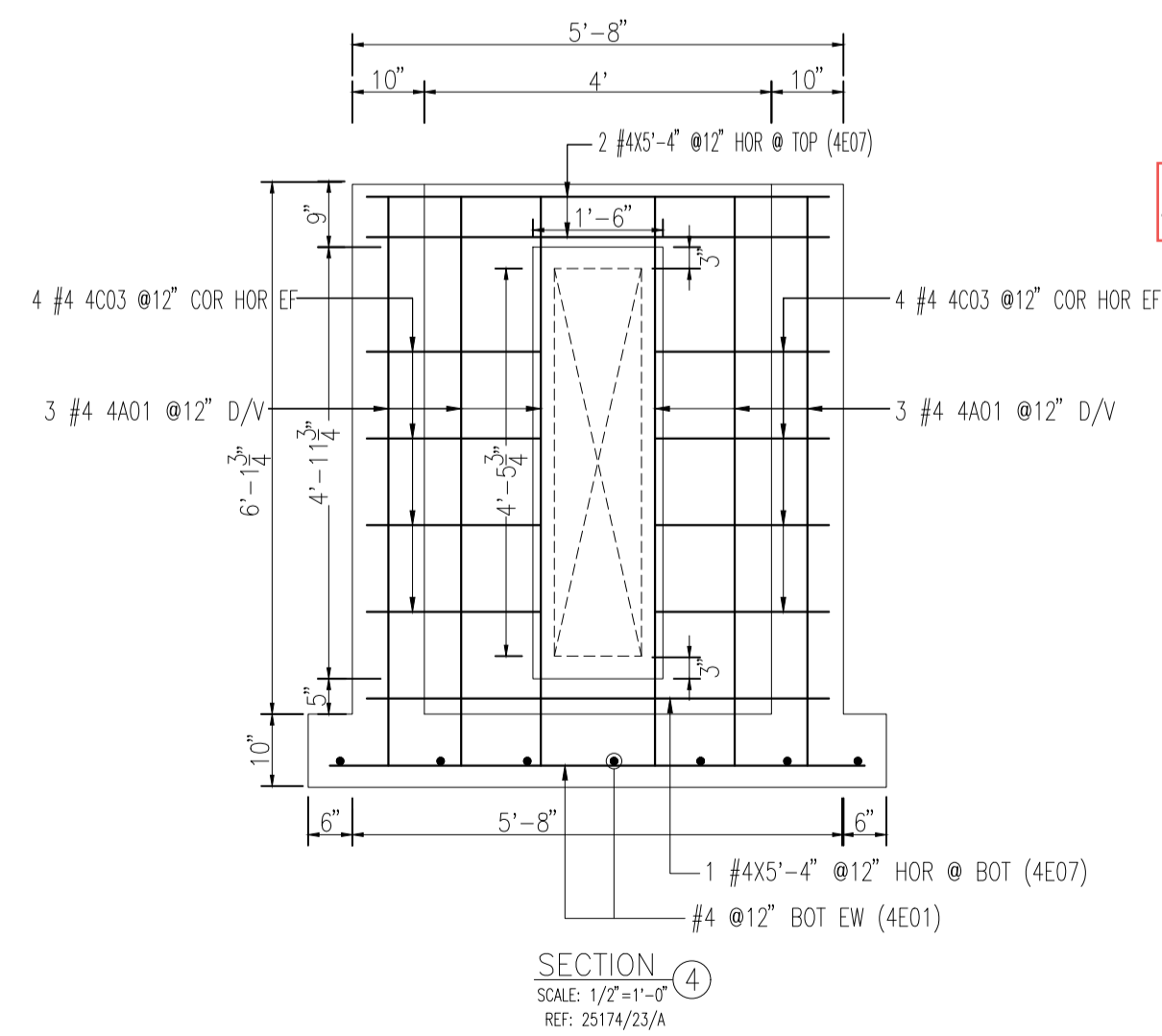
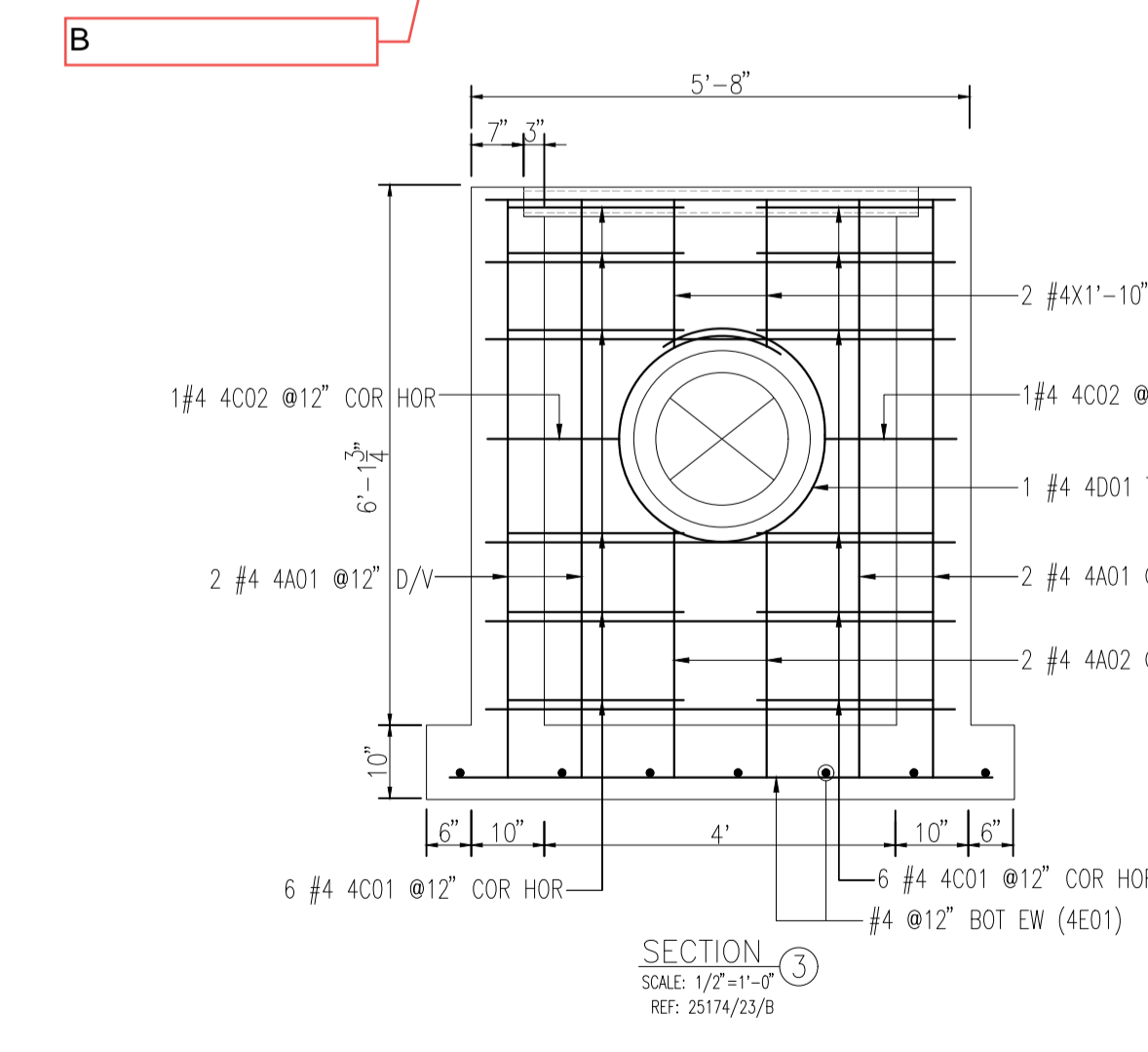
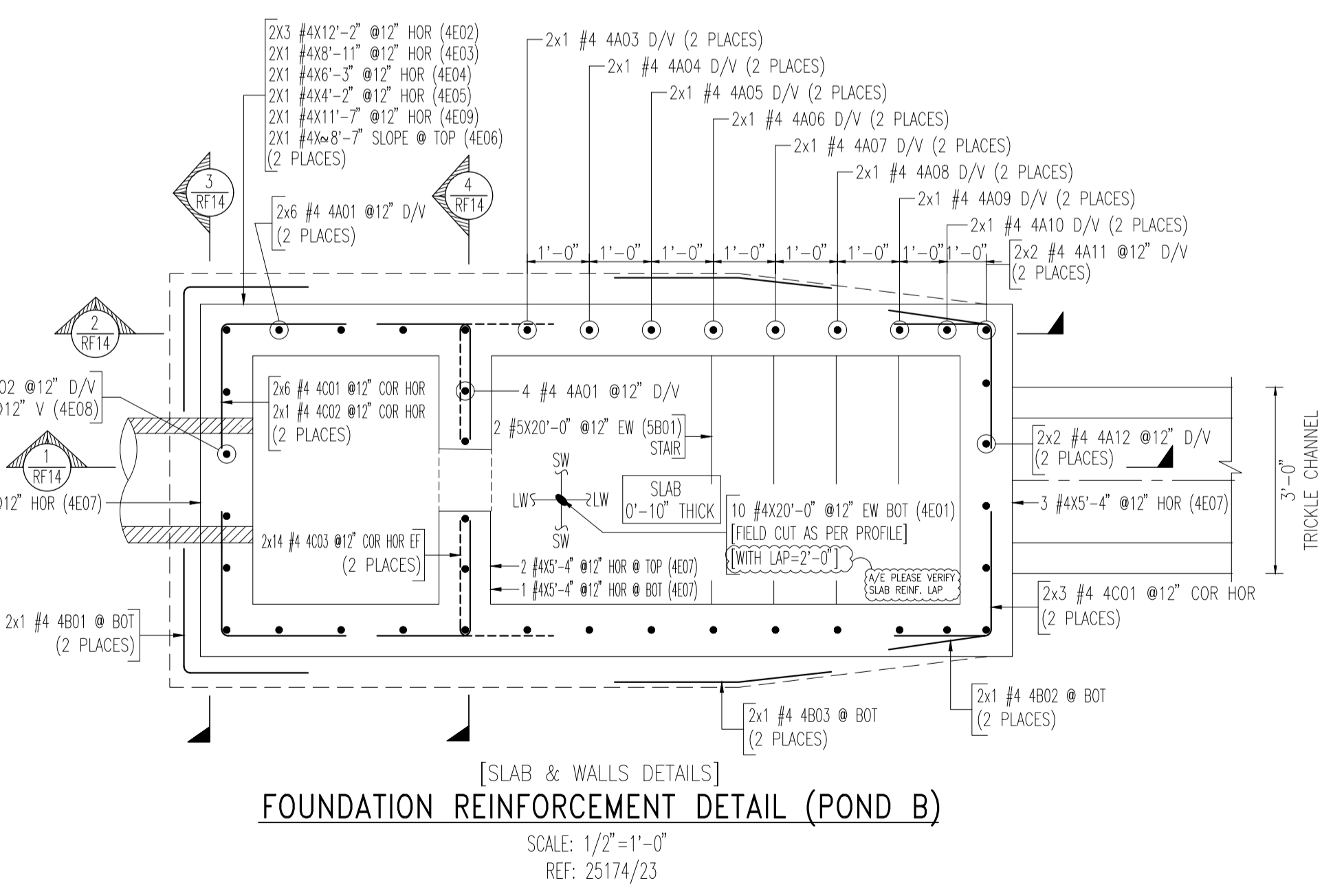
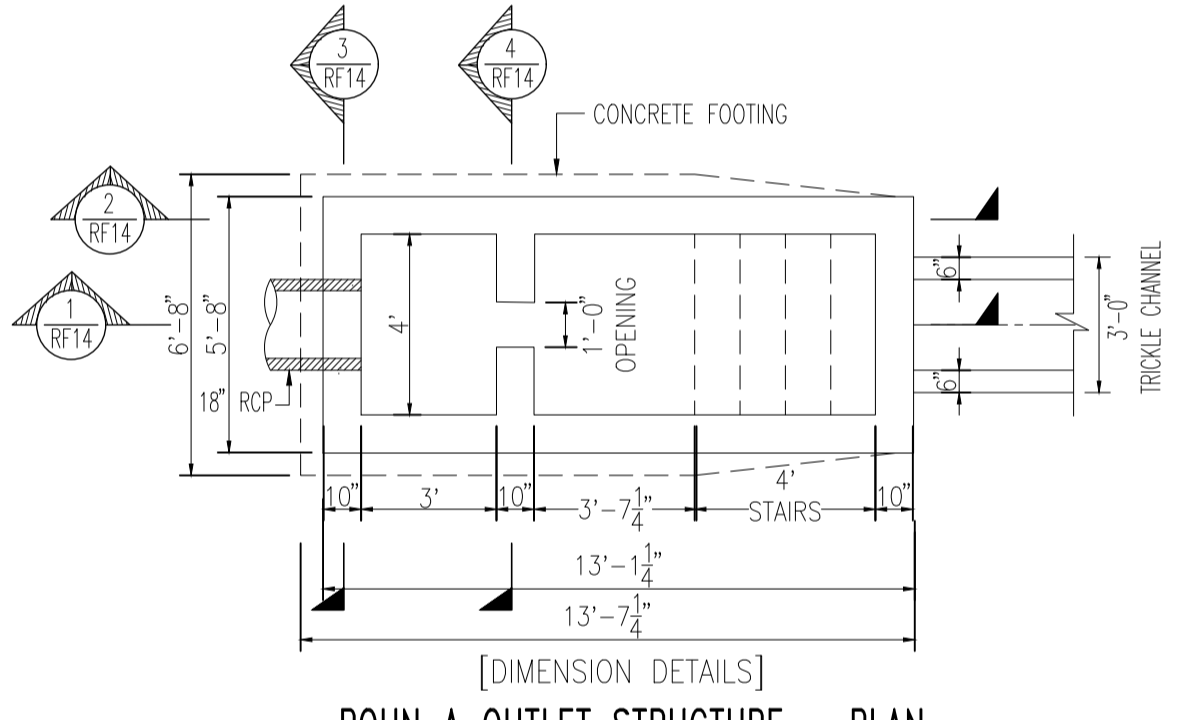
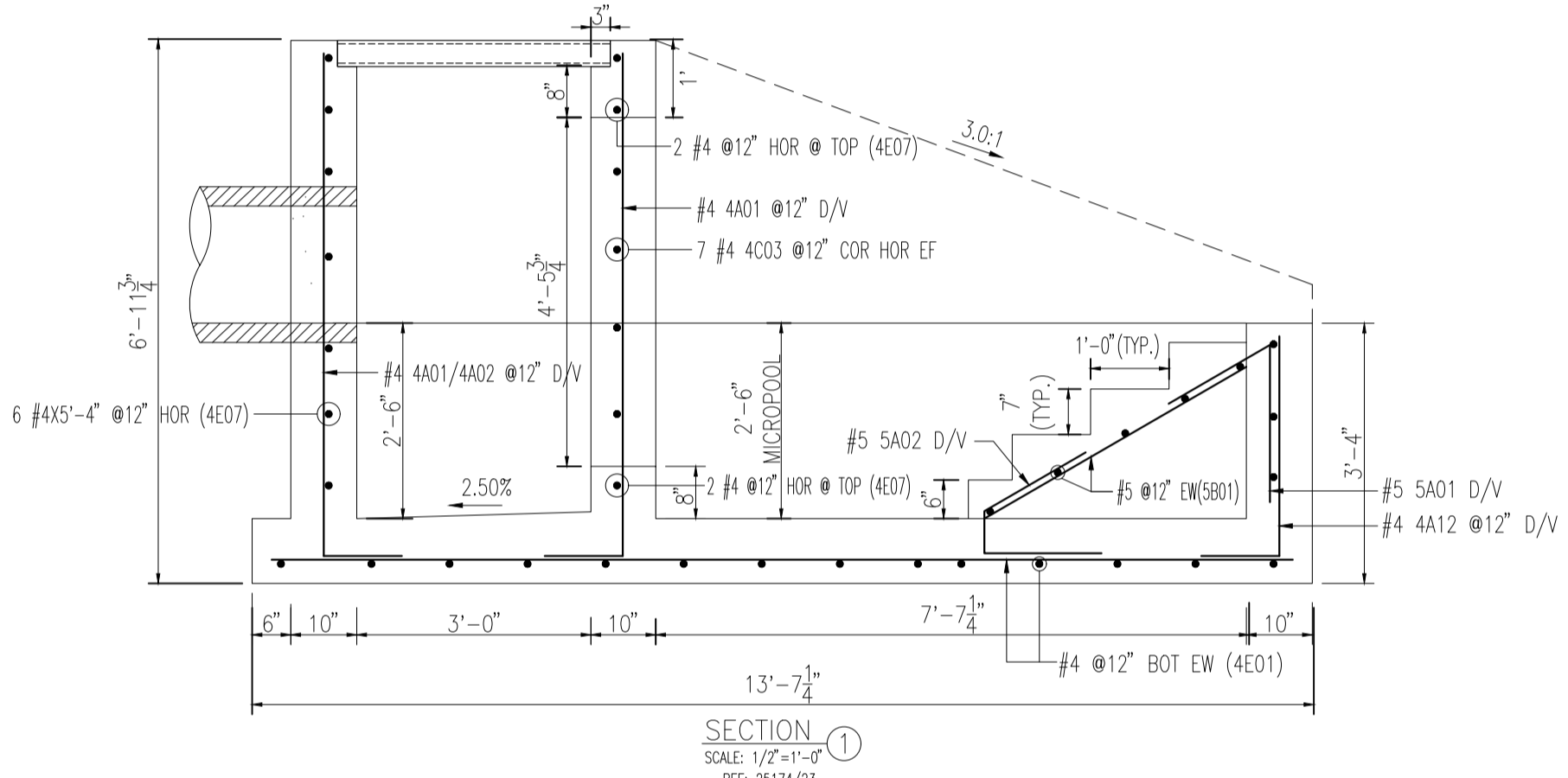
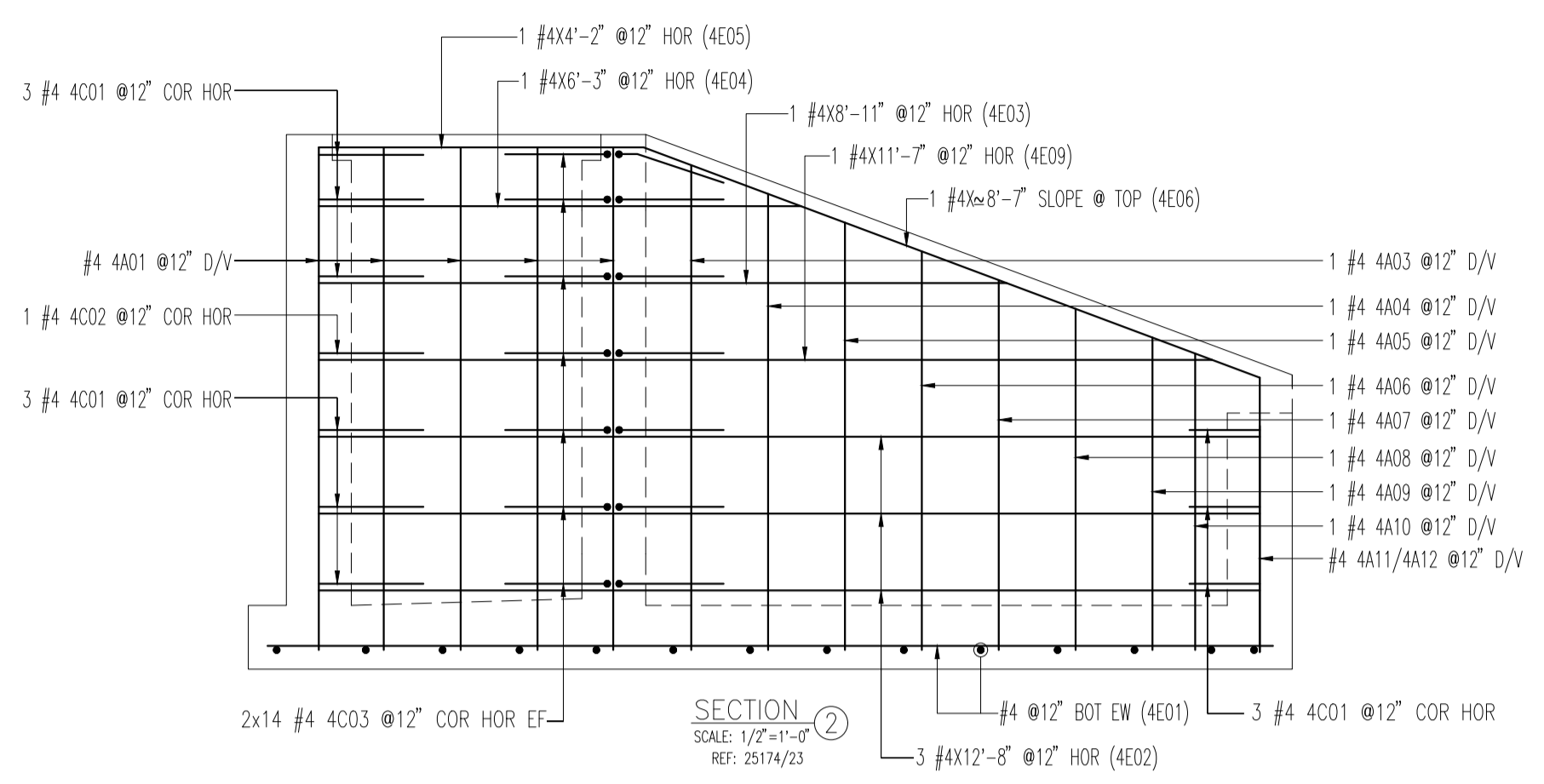
SOLACE AT CIMARRON HILLS
FOUNDATION REINFORCEMENT DETAIL (POND A)
ARACO
GALLEY AND POWERS RD COLORADO SPRINGS, CO 80915
LCM ARCHITECTS

DATE: 05/04/2022
CHECKED BY: ---
JOB NO.: 21591
DRAWING NO.: RF13

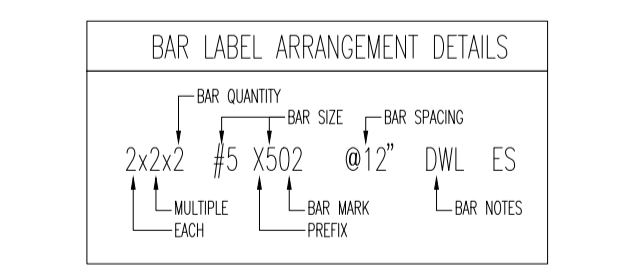
Release Code: RF14		BENDING DETAILS														Total length of bar	Weight (lb/ft)	
Bar Mark	Qty	Size	Length of Rebar	Type	'A'	'B'	'C'	'D'	'E'	'F'	'G'	'H'	'J'	'K'	'O'			'R'
5A01	4	#5	3'-6"	14	1'-6"	1'-3 1/4"	2'-0"										14'-0"	6.571
5A02	4	#5	3'-7"	16		1'-6"	0'-7"	1'-6"						1'-3 1/4"	0'-9"	1'-3 1/4"	14'-4"	6.730
5B01	2	#5	20'-0"	2		20'-0"											40'-0"	18.774
4A01	16	#4	7'-8"	2	1'-0"	6'-6"											122'-8"	36.875
4A02	2	#4	3'-9"	2	1'-0"	2'-9"											7'-6"	2.255
4B01	2	#4	4'-0"	17			2'-0"	2'-0"									8'-0"	2.405
4B02	2	#4	4'-0"	15	2'-0"	1'-11 1/2"	2'-0"										8'-0"	2.405
4B03	2	#4	3'-6"	15	2'-0"	0'-2"	1'-6"										7'-0"	2.104
4C01	18	#4	4'-0"	17			2'-0"	2'-0"									72'-0"	21.643
4C02	2	#4	4'-0"	17			2'-0"	1'-6"									8'-0"	2.405
4C03	28	#4	3'-4"	17			1'-10"	1'-6"									93'-4"	28.055
4D01	1	#4	8'-10"	13						1'-4"					2'-4 1/4"	8'-10"	2.654	
4E01	10	#4	20'-0"	2		20'-0"										200'-0"	60.120	
4E02	6	#4	12'-2"	2		12'-2"										74'-0"	22.244	
4E03	2	#4	8'-11"	2		8'-11"										17'-10"	5.360	
4E04	2	#4	6'-3"	2		6'-3"										12'-6"	3.758	
4E05	2	#4	4'-2"	2		4'-2"										8'-4"	2.504	
4E06	2	#4	8'-7"	2		8'-7"										17'-2"	5.158	
4E07	12	#4	5'-4"	2		5'-4"										64'-0"	19.238	
4E08	2	#4	1'-10"	2		1'-10"										3'-6"	1.103	
4E09	2	#4	11'-7"	2		11'-7"										23'-2"	6.962	
Varies to																		
4A03	2	#4	7'-3"	2	1'-0"	6'-3"											14'-6"	4.359
4A04	2	#4	6'-11"	2	1'-0"	5'-11"											13'-10"	4.157
4A05	2	#4	6'-6"	2	1'-0"	5'-6"											13'-0"	3.908
4A06	2	#4	6'-2"	2	1'-0"	5'-2"											12'-4"	3.706
4A07	2	#4	5'-9"	2	1'-0"	4'-9"											11'-6"	3.457
4A08	2	#4	5'-5"	2	1'-0"	4'-5"											10'-10"	3.255
4A09	2	#4	5'-0"	2	1'-0"	4'-0"											10'-0"	3.006
4A10	2	#4	4'-10"	2	1'-0"	3'-10"											9'-8"	2.907
4A11	4	#4	4'-6"	2	1'-0"	3'-6"											18'-0"	5.411
4A12	2	#4	3'-11"	2	1'-0"	2'-11"											7'-10"	2.354



ABBREVIATIONS	
Top & Bottom	T&B
Bottom	BOT
Middle	MID
Continuous	CONT
Corner Bar	COR
Dowel cum Vertical	D/V
Vertical	V[or]VERT
HORIZONTAL	H[or]HOR
Each way	EW
Each Side	ES
Each Face	EF
Inner Face	IF
Outer Face	OF
Masonry Dowel	M DWL
Top of footing	T/FTG.
Top of Slab on Grade	T/SOG.
Reinforcement	REINF.
Typical	TYP.
Reference	REF
Clear cover	CLR
Schedule	SCHED
Concrete	CONC.
Elevation	EL.
Revision	REV
Standard	STD
Foundation	FDN
Bar bending schedule	BBS
Unless noted otherwise	U.N.O
Pounds Per Square Inch	PSI
Not To Scale	NTS
Dimension	DIM
Drawing	DWG
American Society of Testing and Materials	ASTM



LAP SCHEDULE [FOR FND & WALL]		
SIZE	4000 PSI	
	TOP	OTHERS
#3	15"	12"
#4	19"	15"
#5	24"	19"
#6	29"	23"
REF:		



PLEASE VERIFY ALL CLOUDED ITEMS
IT WILL BE UNDERSTOOD THAT ALL CLOUDED ITEMS RETURNED FROM APPROVAL WITHOUT COMMENT ARE CORRECT AS SUBMITTED.

COVER DETAILS			
ELEMENT	TOP	BOT.	SIDES
SLAB ON GRADE	-	-	2"
CONC.WALL	2"	-	2"

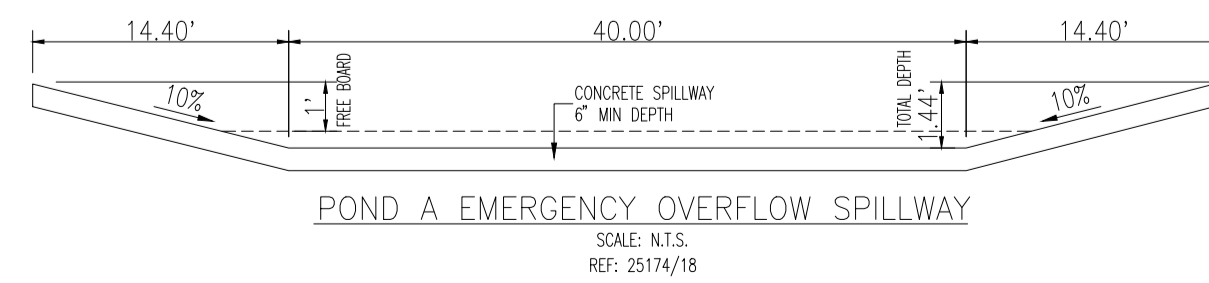
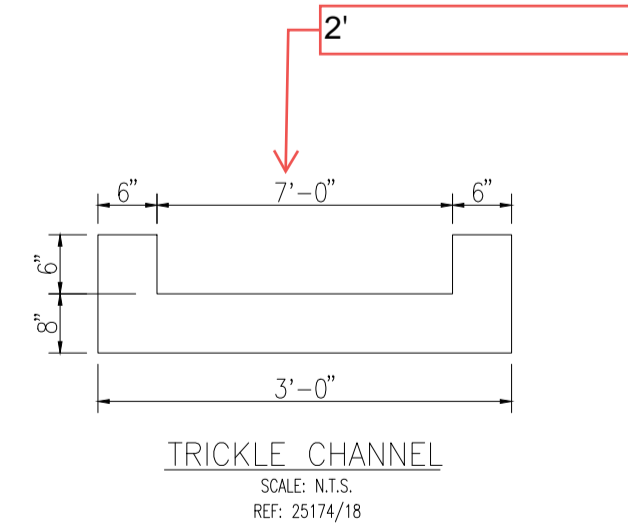
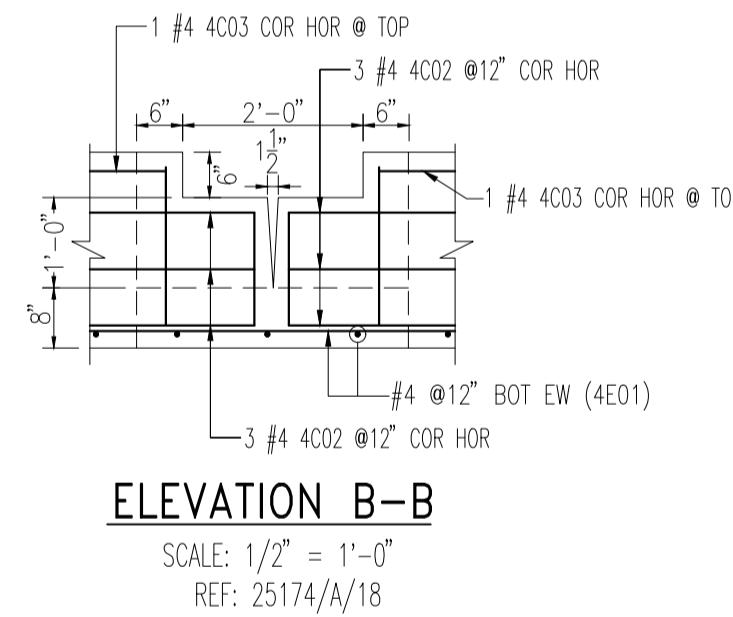
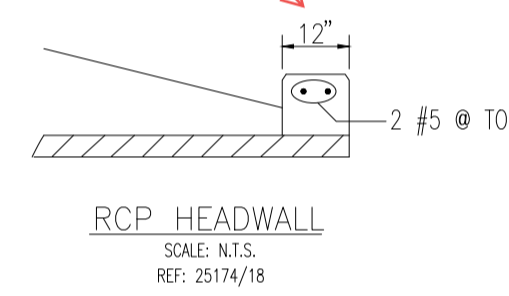
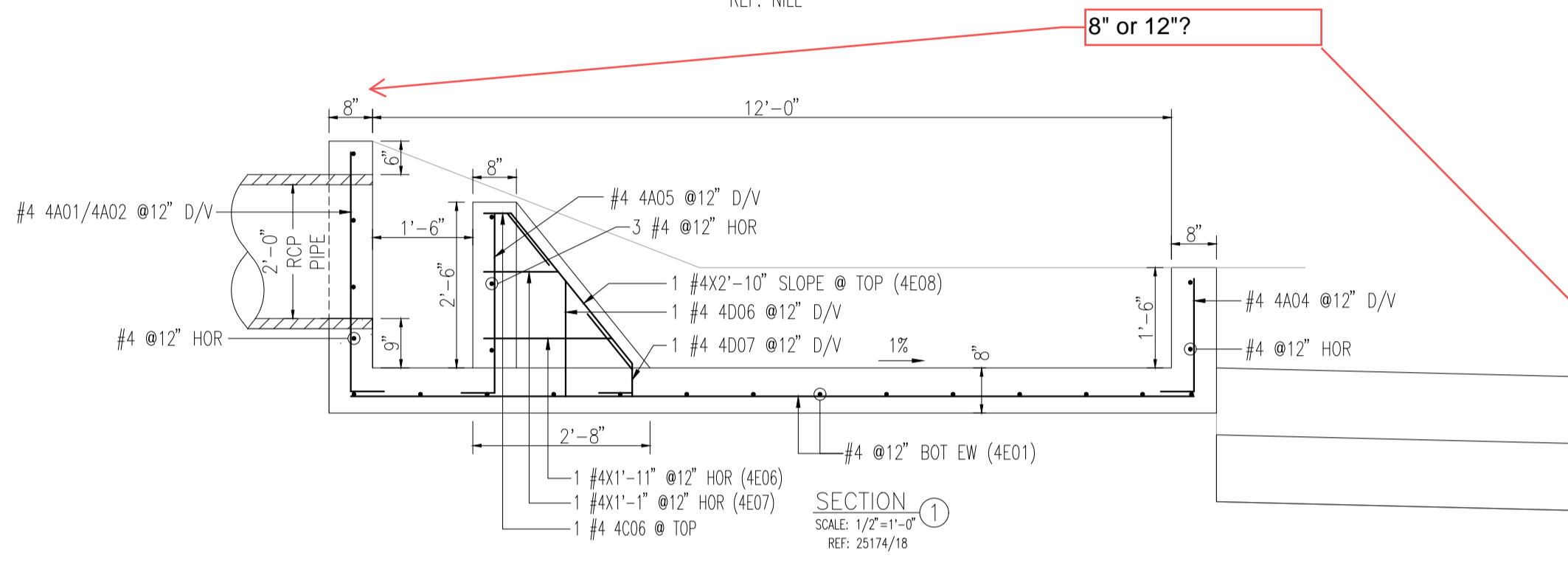
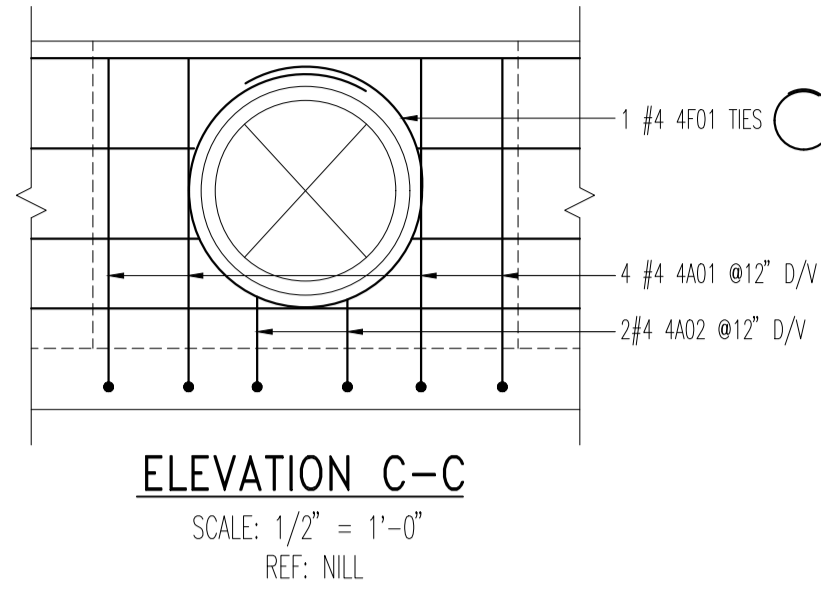
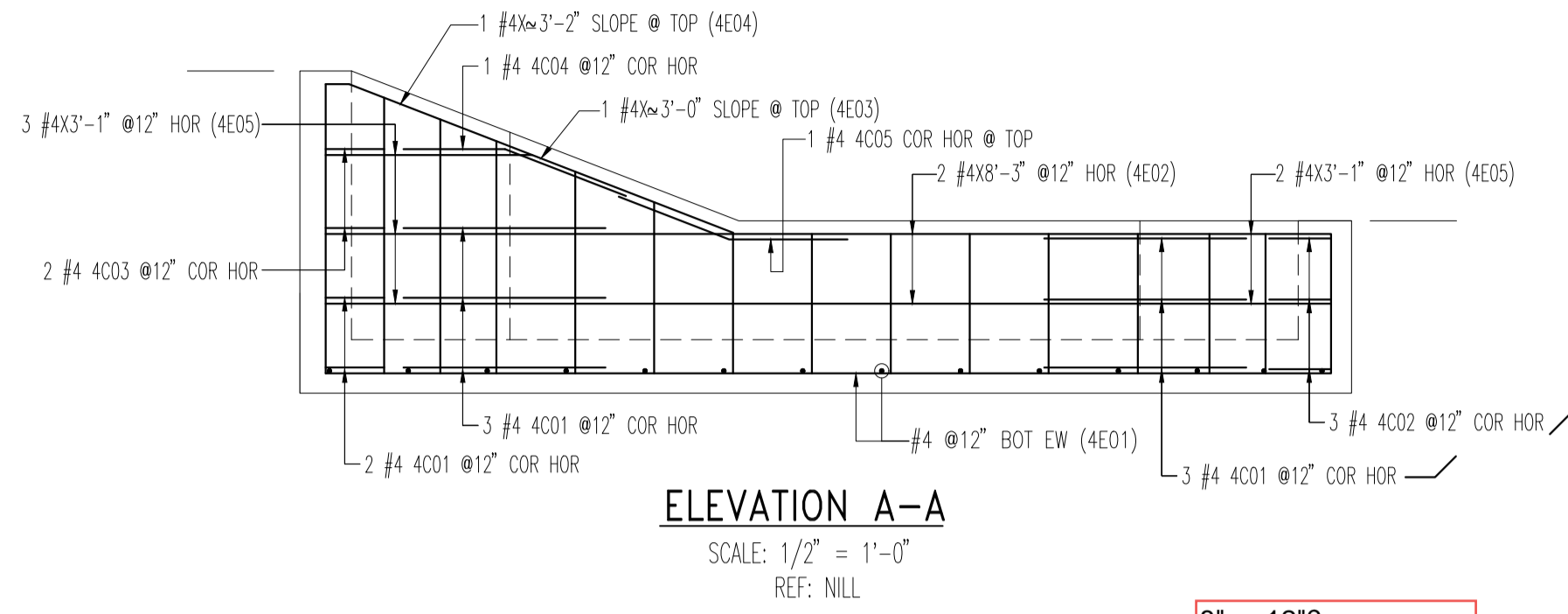
ALL REINFORCING BARS SHALL CONFORM TO ASTM A615 GRADE 60 UNLESS NOTED OTHERWISE. THIS DRAWING TO BE USED FOR REBAR PLACEMENT ONLY. USE THIS DRAWING IN CONJUNCTION WITH CONTRACT DOCUMENTS.

FOR APPROVAL

3380 Astrozon Blvd, Colorado Springs, CO 80910 (719) 576-1705 araco@aracoconcrete.com

Araco Group LLC
Concrete • Asphalt • Paving • Estimating

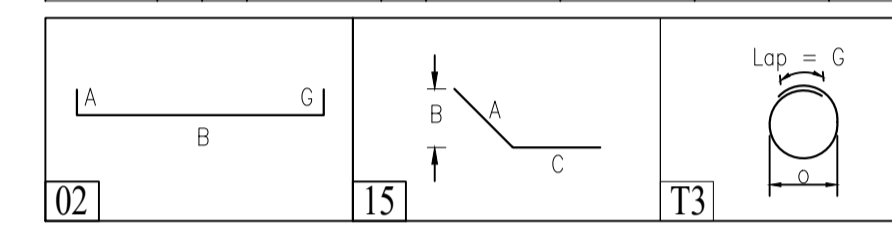
JOB NAME	SOLACE AT CIMARRON HILLS	DATE	05/17/2022
DESCRIPTION	FOUNDATION REINFORCEMENT DETAIL (POND B)	CHECKED BY	----
CONTRACTOR	ARACO	JOB NO.	21591
LOCATION	GALLEY AND POWERS RD COLORADO SPRINGS, CO 80915	DRAWING NO.	RF14
ARCHITECT	LCM ARCHITECTS	FOR APPROVAL	REVISION DESCRIPTION
		GCN	BY
			DATE



[SLAB & WALLS DETAILS]
FOUNDATION REINFORCEMENT DETAIL (FOREBAY A1 & A2)
SCALE: 1/2" = 1'-0"
REF: 25174/18

[DIMENSION DETAILS]
FOUNDATION REINFORCEMENT DETAIL (FOREBAY A1 & A2)
SCALE: 1/4" = 1'-0"
REF: 25174/18

BENDING DETAILS																Total Length of bar	Weight (lb/ft)	
Bar Mark	Qty	Size	Length of Rebar	Type	A'	B'	C'	D'	E'	F'	G'	H'	I'	K'	O'	R'		
4A01	4	#4	4'-2"	2	0'-6"	3'-8"											16'-8"	5.011
4A02	2	#4	1'-5"	2	0'-6"	0'-11"											2'-10"	0.850
4A03	20	#4	2'-3"	2	0'-6"	1'-9"											45'-0"	13.527
4A04	2	#4	1'-9"	2	0'-6"	1'-3"											3'-6"	1.052
4A05	3	#4	3'-5"	2	0'-6"	2'-9"											10'-3"	3.081
4C01	16	#4	3'-0"	15	1'-6"	1'-0 3/4"	1'-6"										48'-0"	14.428
4C02	4	#4	3'-6"	15	1'-6"	1'-0 3/4"	2'-0"										14'-0"	4.208
4C03	6	#4	2'-7"	15	1'-6"	1'-0 3/4"	1'-1"										15'-6"	4.659
4C04	2	#4	3'-0"	15	1'-6"	0'-6 3/4"	1'-6"										6'-0"	1.803
4C05	2	#4	2'-9"	15	1'-3"	0'-6 3/4"	1'-6"										5'-6"	1.653
4C06	1	#4	1'-5"	15	0'-5"	0'-7 3/4"	1'-0"										1'-5"	0.426
4E01	12	#4	20'-0"	2		20'-0"											240'-0"	72.144
4E02	4	#4	8'-3"	2		8'-3"											33'-0"	9.919
4E03	2	#4	3'-0"	2		3'-0"											6'-0"	1.803
4E04	2	#4	3'-2"	2		3'-2"											6'-2"	1.851
4E05	10	#4	3'-1"	2		3'-1"											40'-0"	12.024
4E06	1	#4	1'-11"	2		1'-11"											1'-11"	0.577
4E07	1	#4	1'-1"	2		1'-1"											1'-1"	0.324
4E08	1	#4	2'-10"	2		2'-10"											2'-10"	0.850
4E09	3	#4	1'-8"	2		1'-8"											5'-0"	1.503
4E10	2	#4	4'-4"	2		4'-4"											8'-8"	2.606
4F01	1	#4	9'-7"	T3							1'-4"				2'-7"	9'-7"	2.879	
Varies to																		
4D01	2	#4	3'-11"	2	0'-6"	3'-5"											7'-10"	2.353
4D02	2	#4	3'-8"	2	0'-6"	3'-2"											7'-4"	2.203
4D03	2	#4	3'-5"	2	0'-6"	2'-11"											6'-10"	2.053
4D04	2	#4	3'-0"	2	0'-6"	2'-6"											6'-0"	1.803
4D05	2	#4	2'-8"	2	0'-6"	2'-2"											5'-4"	1.602
4D06	1	#4	2'-2"	2	0'-6"	1'-8"											2'-2"	0.649
4D07	1	#4	1'-6"	15	0'-6"	0'-8"	1'-0"										1'-0"	0.300

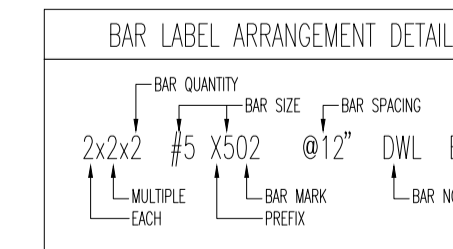


use 4500 psi concrete (typ)

SIZE	4500 PSI	
	TOP	OTHERS
#3	15"	12"
#4	19"	15"
#5	24"	19"
#6	29"	23"

REF:

A/E PLEASE VERIFY LAP VALUE



ELEMENT	TOP	BOT.	SIDES
SLAB ON GRADE	-	-	2"
CONC. WALL	2"	-	2"

PLEASE VERIFY ALL CLOUDED ITEMS
IT WILL BE UNDERSTOOD THAT ALL CLOUDED ITEMS RETURNED FROM APPROVAL WITHOUT COMMENT ARE CORRECT AS SUBMITTED.

FOR APPROVAL

ALL REINFORCING BARS SHALL CONFORM TO ASTM A615 GRADE 60 UNLESS NOTED OTHER WISE. THIS DRAWING TO BE USED FOR REBAR PLACEMENT ONLY. USE THIS DRAWING IN CONJUNCTION WITH CONTRACT DOCUMENTS.

Top & Bottom	T&B
Bottom	BOT
Middle	MID
Continuous	CONT
Corner Bar	COR
Dowel cum Vertical	D/V
Vertical	V or VERT
HORIZONTAL	H or HOR
Each way	EW
Each Side	ES
Each Face	EF
Inner Face	IF
Outer Face	OF
Masonry Dowel	M DWL
Top of footing	T/FTG.
Top of Slab on Grade	T/SOG.
Reinforcement	REINF.
Typical	TYP.
Reference	REF
Clear cover	CLR
Schedule	SCHED
Concrete	CONC.
Elevation	EL.
Revision	REV
Standard	STD
Foundation	FDN
Bar bending schedule	BBS
Unless noted otherwise	U.N.O
Pounds Per Square Inch	PSI
Not To Scale	NTS
Dimension	DIM
Drawing	DWG
American Society of Testing and Materials	ASTM

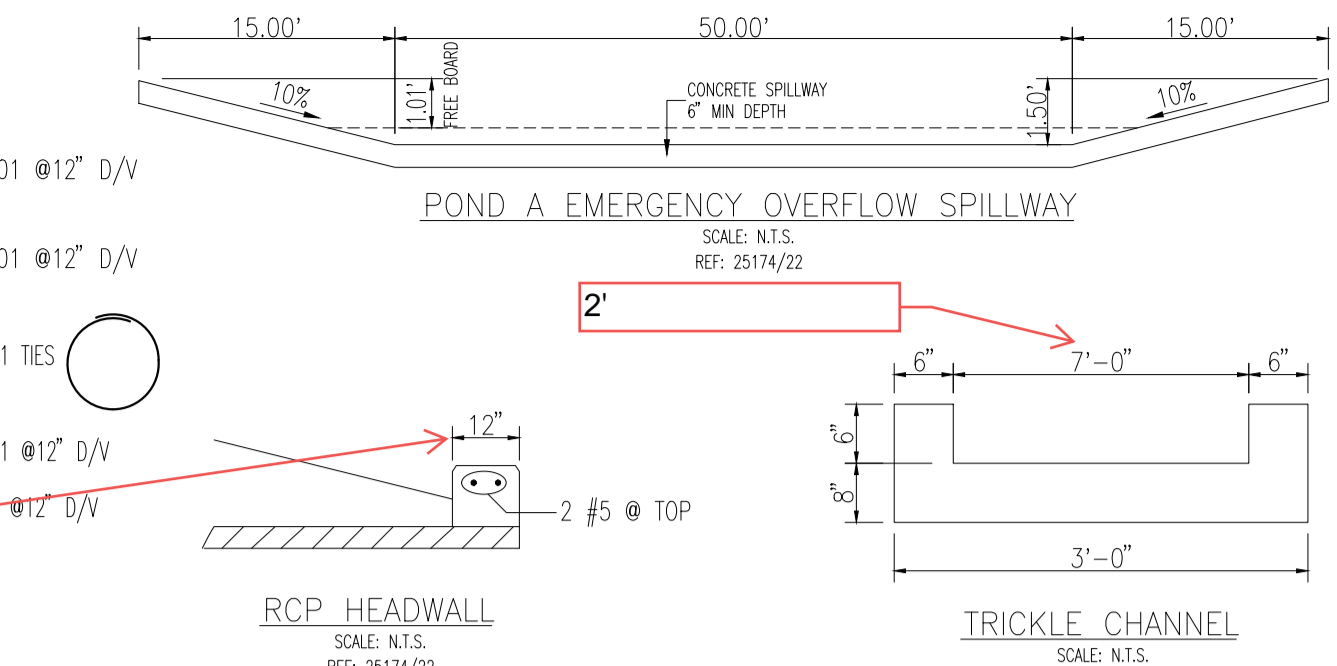
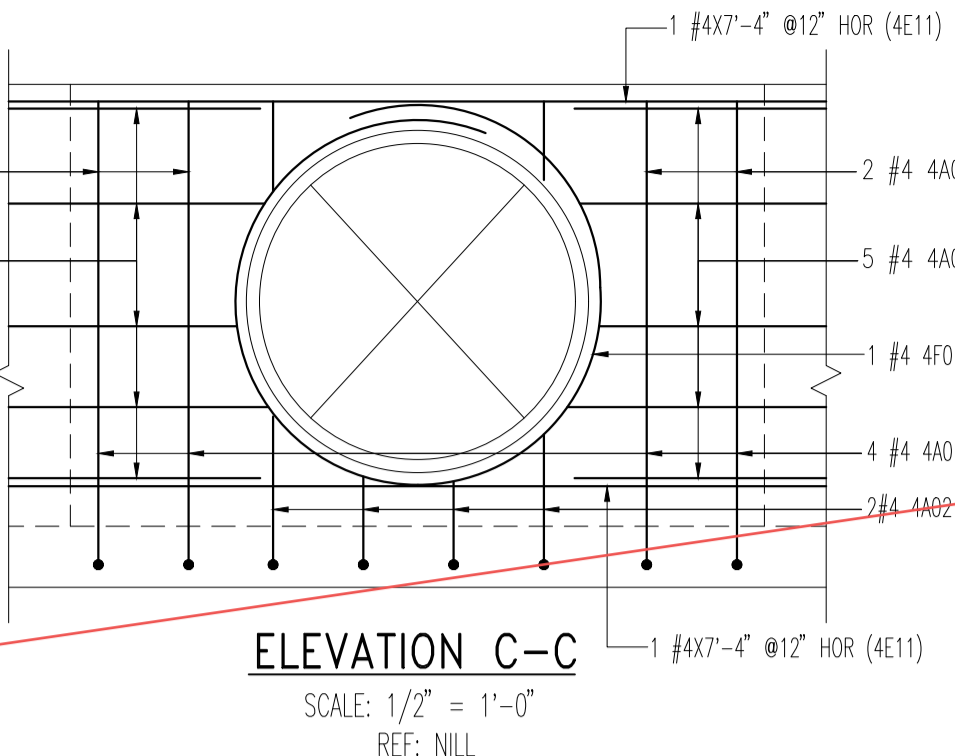
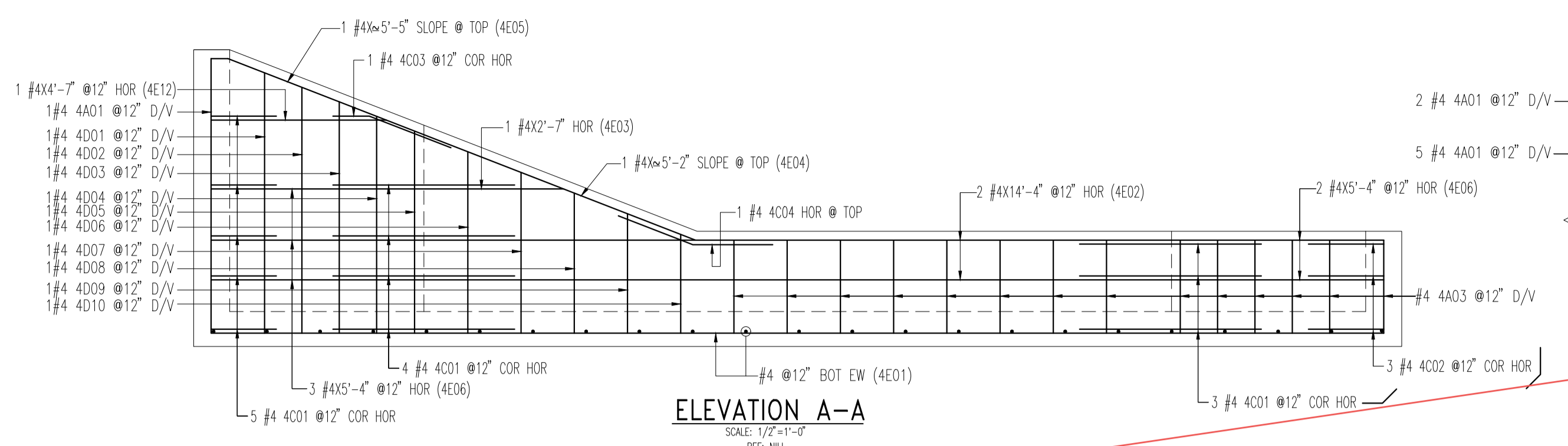
NO.	DATE	BY	DESCRIPTION
05/17/2022	GCN	BY	FOR APPROVAL
			REVISION DESCRIPTION

3380 Astrozon Blvd.
Colorado Springs, CO 80910
(719) 576-1705
araco@aracoconcrete.com

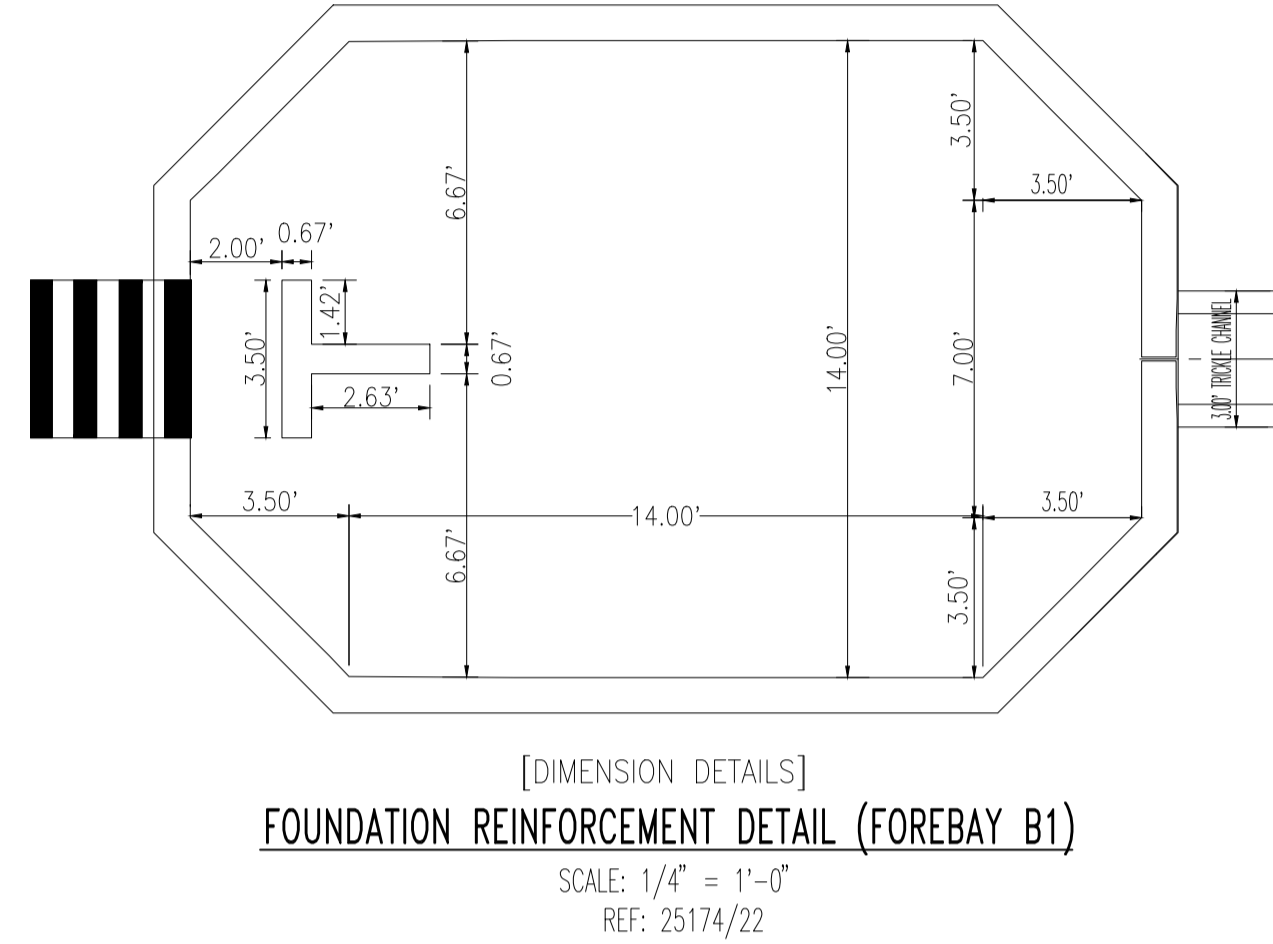
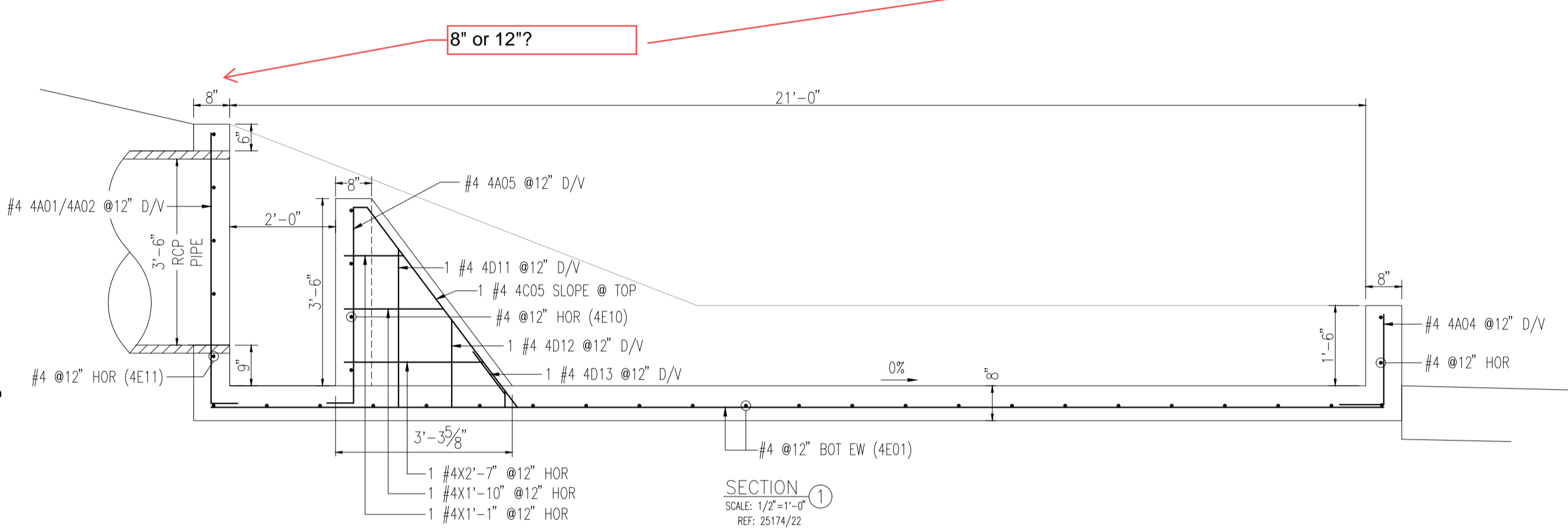
Concrete • Asphalt • Paving
Civil • Pumping • Estimating

JOB NAME	DESCRIPTION	CONTRACTOR	LOCATION	ARCHITECT
SOLACE AT CIMARRON HILLS	FOUNDATION REINFORCEMENT DETAIL (FOREBAY A1 & A2)	ARACO	GALLEY AND POWERS RD COLORADO SPRINGS, CO 80915	LCM ARCHITECTS

DATE:	CHECKED BY:	JOB NO.	DRAWING NO.
05/05/2022	---	21591	RF11



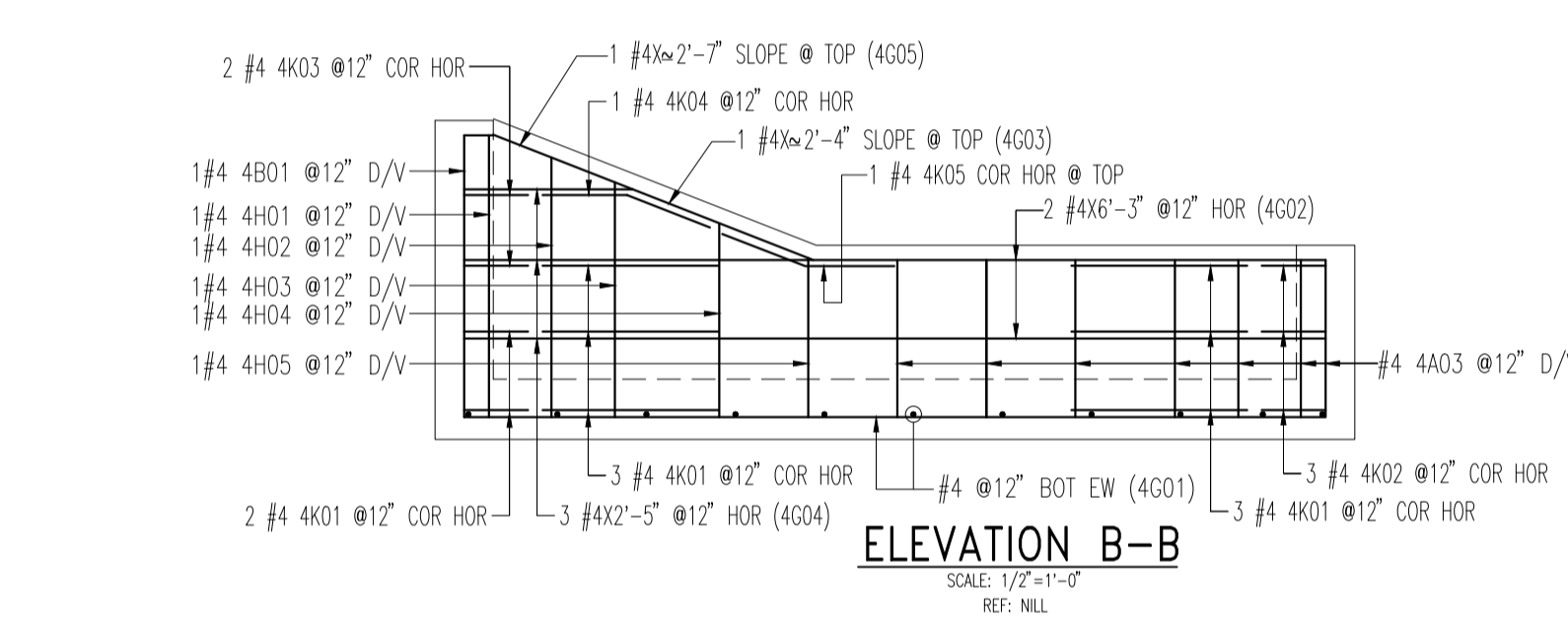
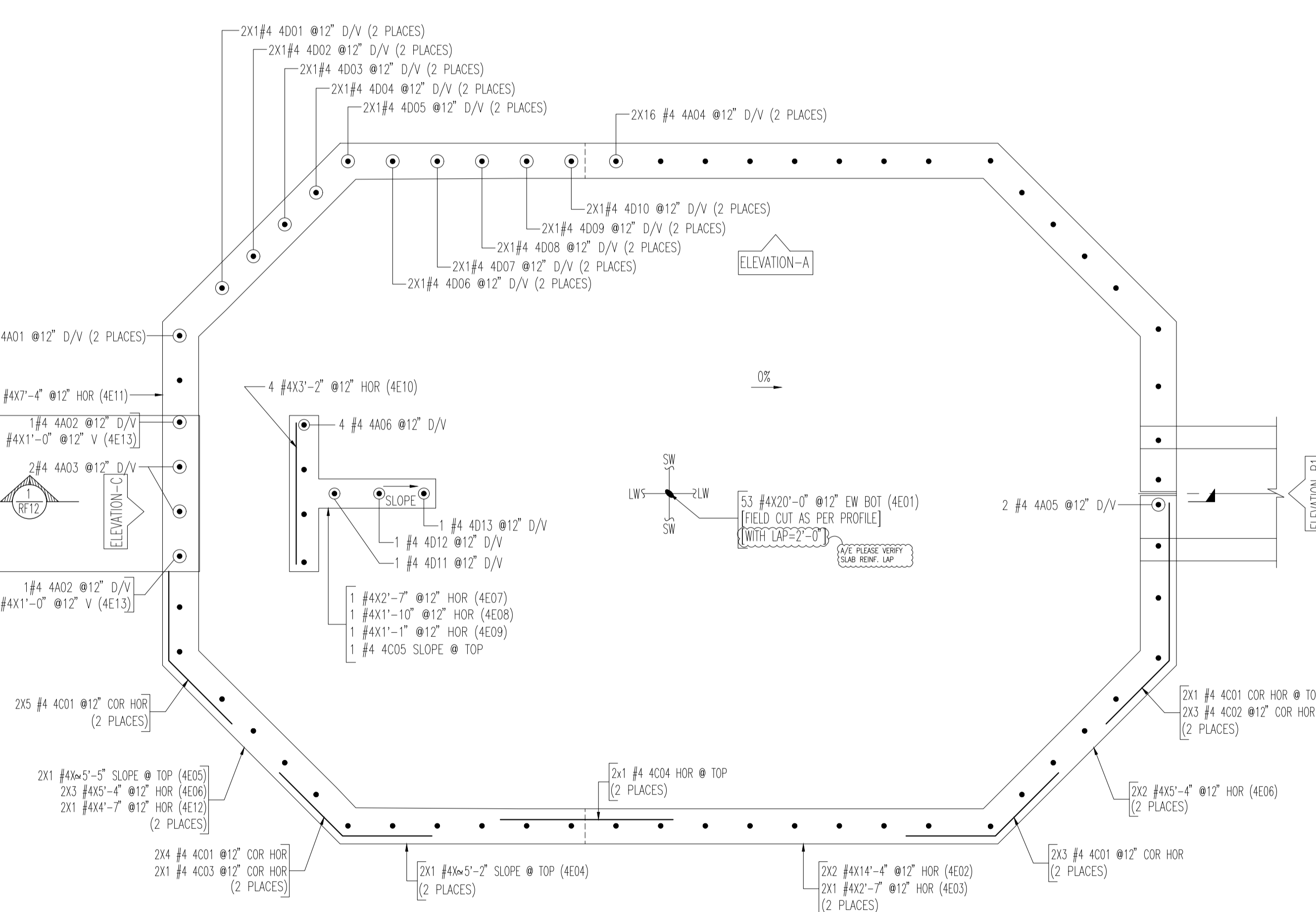
ABBREVIATIONS	
Top & Bottom	T&B
Bottom	BOT
Middle	MID
Continuous	CONT
Corner Bar	COR
Dowel cum Vertical	D/V
Vertical	V[or]VERT
HORIZONTAL	H[or]HOR
Each way	EW
Each Side	ES
Each Face	EF
Inner Face	IF
Outer Face	OF
Masonry Dowel	M DWL
Top of footing	T/FTG.
Top of Slab on Grade	T/SOG.
Reinforcement	REINF.
Typical	TYP.
Reference	REF
Clear cover	CLR
Schedule	SCHED
Concrete	CONC.
Elevation	EL.
Revision	REV
Standard	STD
Foundation	FDN
Bar bending schedule	BBS
Unless noted otherwise	U.N.O
Pounds Per Square Inch	PSI
Not To Scale	NTS
Dimension	DIM
Drawing	DWG
American Society of Testing and Materials	ASTM



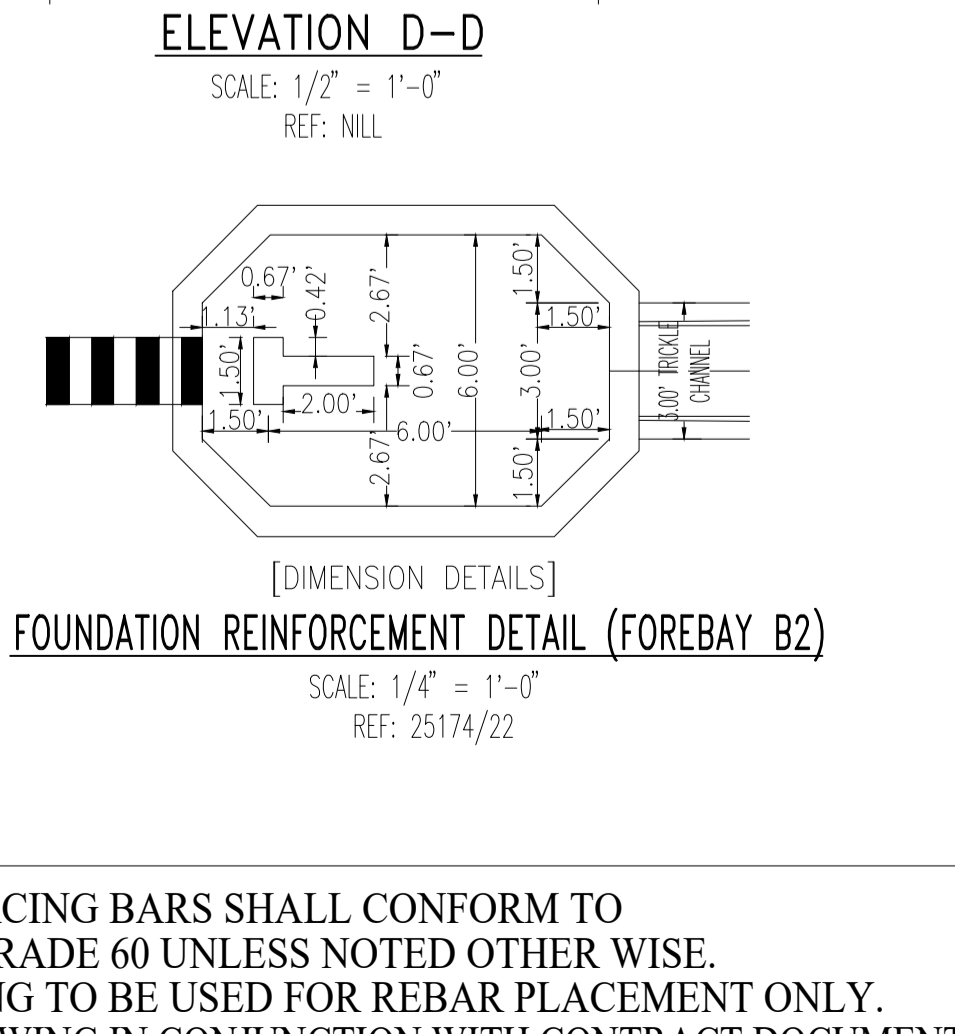
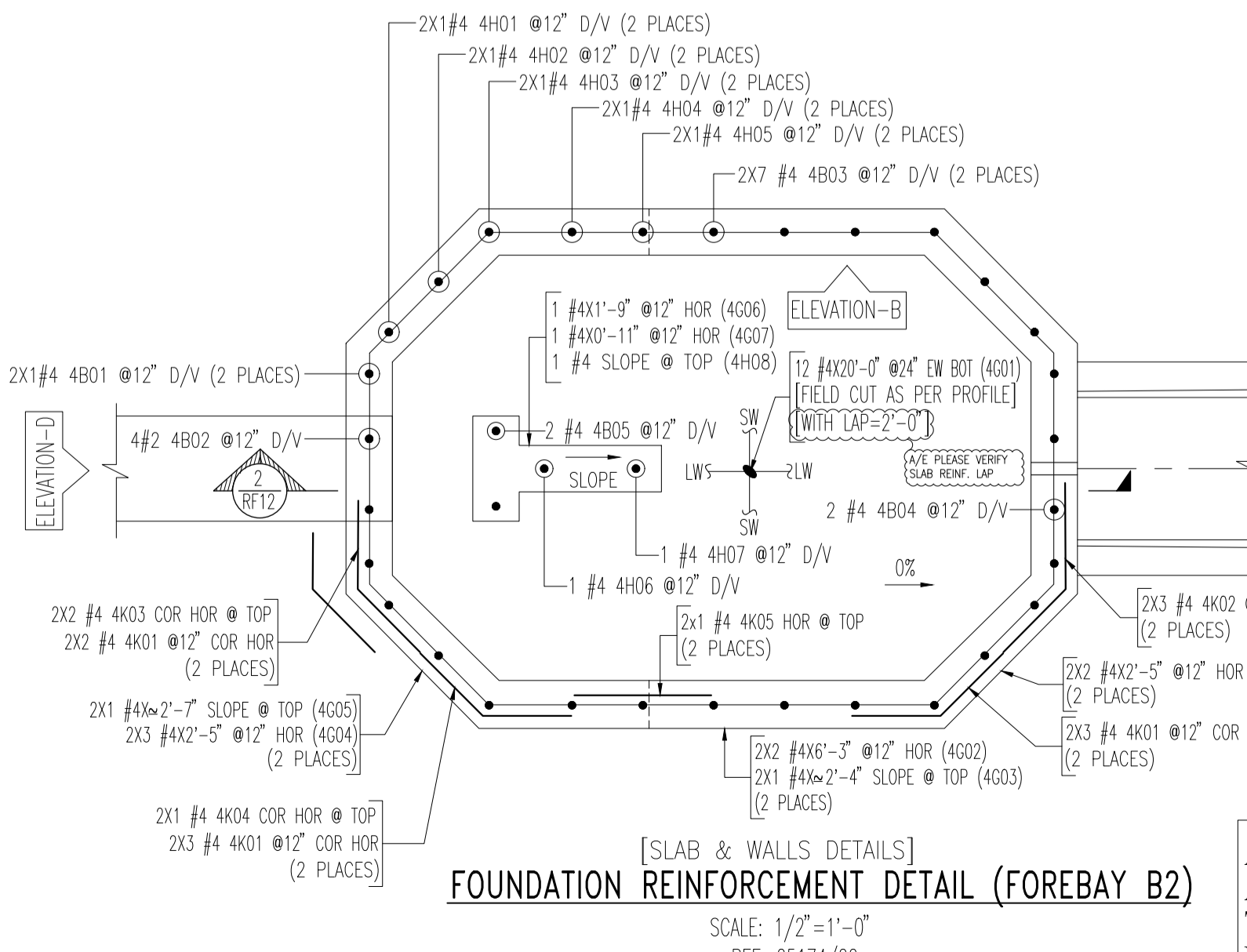
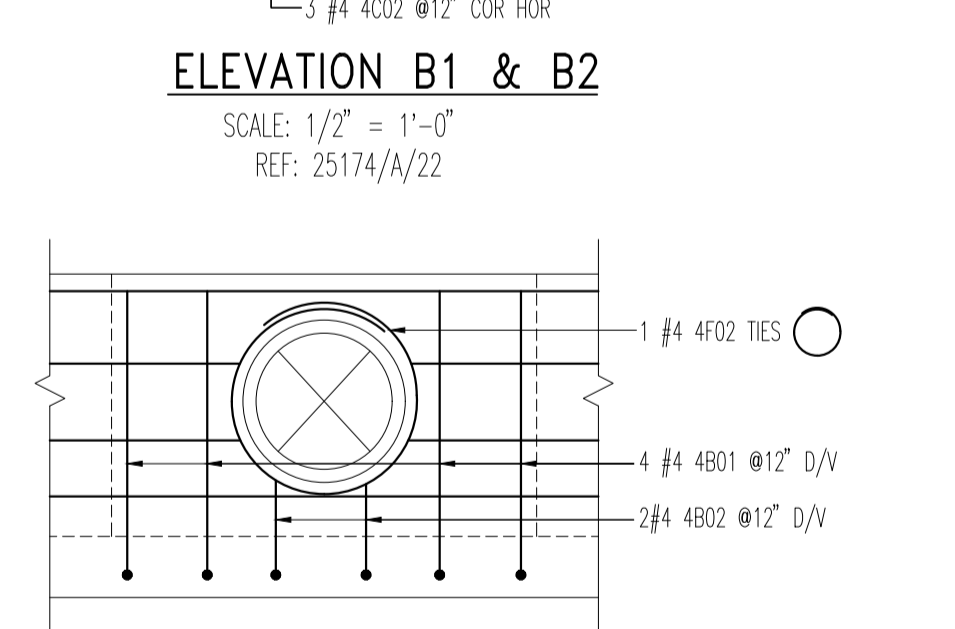
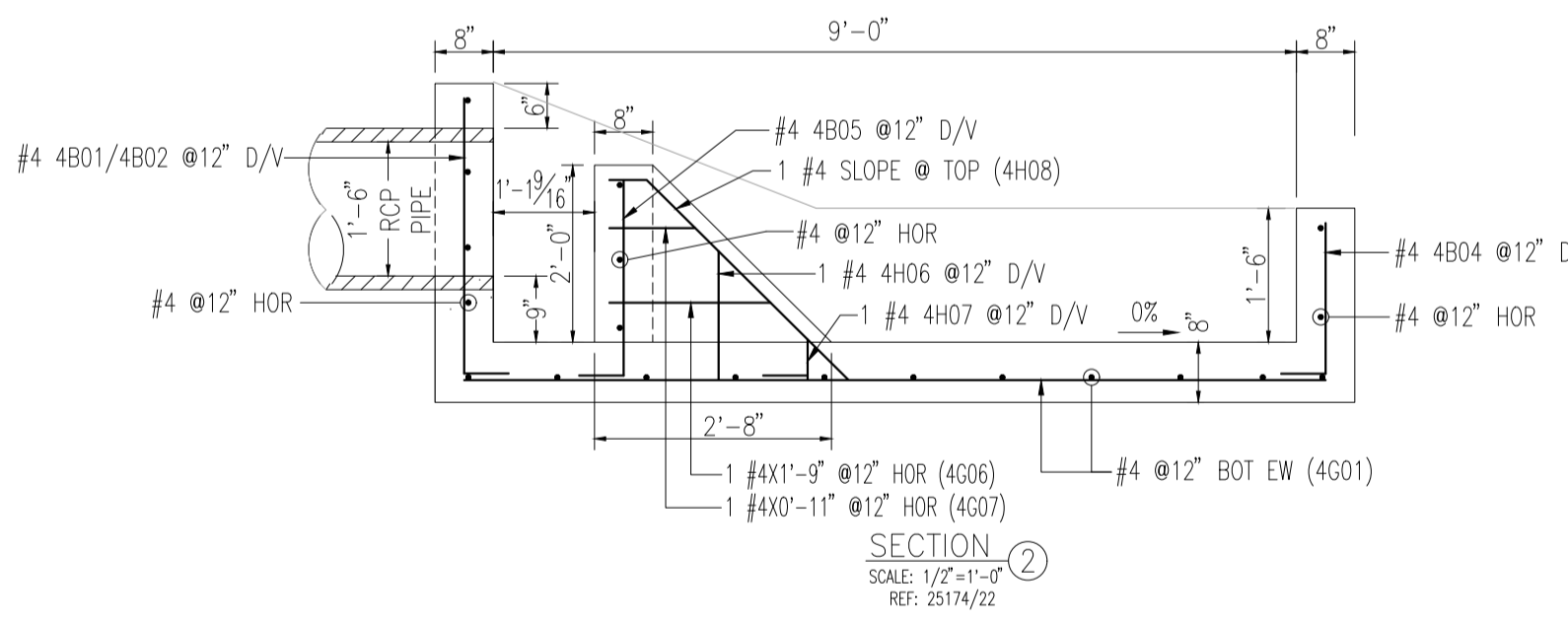
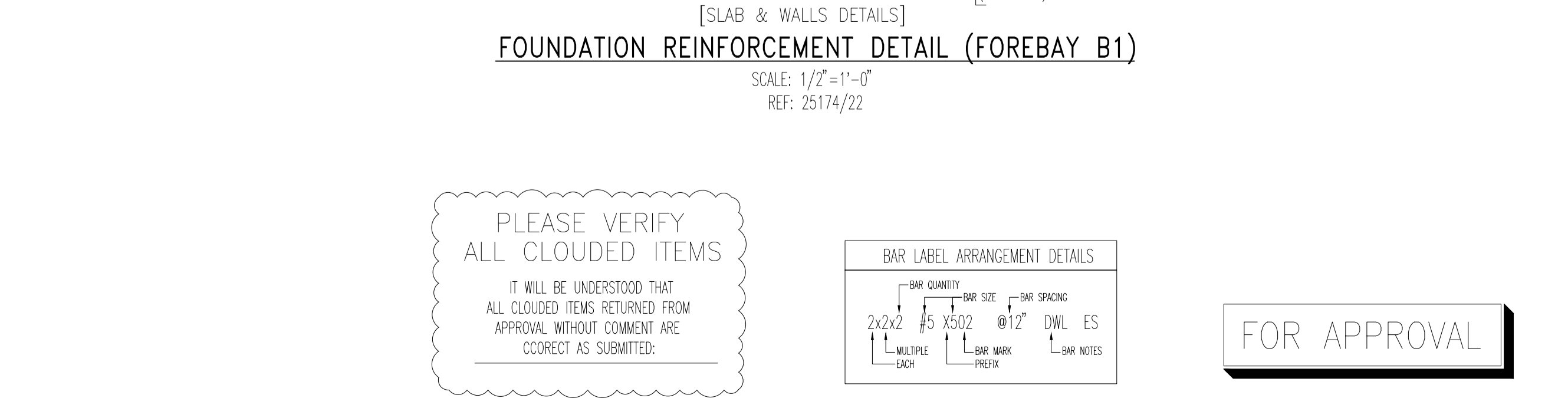
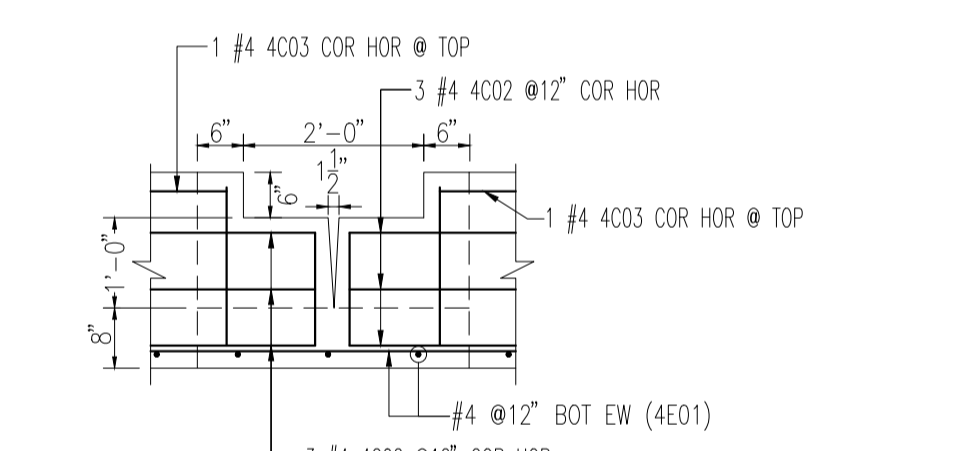
use 4500 psi concrete (typ)

LAP SCHEDULE [FOR FND & WALL]		
SIZE	4000 PSI	
	TOP	OTHERS
#3	15"	12"
#4	19"	15"
#5	24"	19"
#6	29"	23"

REF: A/E PLEASE VERIFY LAP VALUE



COVER DETAILS			
ELEMENT	TOP	BOT.	SIDES
SLAB ON GRADE	-	-	2"
CONC.WALL	2"	-	2"



PLEASE VERIFY ALL CLOUDED ITEMS
IT WILL BE UNDERSTOOD THAT ALL CLOUDED ITEMS RETURNED FROM APPROVAL WITHOUT COMMENT ARE CORRECT AS SUBMITTED.

BAR LABEL ARRANGEMENT DETAILS			
BAR QUANTITY	BAR SIZE	BAR SPACING	BAR MARK
2x2x2	#5	X502	@12" DWL ES
1	#4	X402	@12" DWL ES
1	#4	X402	@12" DWL ES

FOR APPROVAL

ALL REINFORCING BARS SHALL CONFORM TO ASTM A615 GRADE 60 UNLESS NOTED OTHER WISE. THIS DRAWING TO BE USED FOR REBAR PLACEMENT ONLY. USE THIS DRAWING IN CONJUNCTION WITH CONTRACT DOCUMENTS.

JOB NAME	SOLACE AT CIMARRON HILLS	DATE	05/17/2022
DESCRIPTION	FOUNDATION REINFORCEMENT DETAIL (FOREBAY B1 & B2)	BY	GCN
CONTRACTOR	ARACO	REVISION DESCRIPTION	
LOCATION	GALLEY AND POWERS RD COLORADO SPRINGS, CO 80915	REV	
ARCHITECT	LCM ARCHITECTS		

Araco Group LLC
3380 Astrozon Blvd, Colorado Springs, CO 80910
(719) 576-1705
araco@aracococoncrete.com

Concrete • Asphalt • Paving • Estimating
Civil • Pumping

