



July 26, 2021

El Paso County  
Planning and Community Development Department  
2880 International Circle, Suite 110  
Colorado Springs, CO 80910

ATTN: Inspections Staff

**RE: Forest Lakes Filing 5 - Pond D (South of Forest Lakes Drive)**

This letter is intended to provide documentation with the County Inspection Staff that the Pond D facility in Forest Lakes Filing 5 has been constructed per design. Classic Consulting has reviewed the final constructed facility and recently gathered survey as-builts confirming the appropriate size and design. Based upon this information and information gathered during periodic site visits to the project during construction, Classic Consulting is of the opinion that this stormwater BMP has been constructed in general compliance with the approved construction plans and specifications as filed with El Paso County.

STATEMENT OF ENGINEER IN RESPONSIBLE CHARGE:

To the best of my knowledge, information and belief, the referenced Forest Lakes Filing 5 - Pond D improvements have been constructed in general compliance with the approved design plans and specifications as filed with El Paso County.

Seal & Signature of P.E.

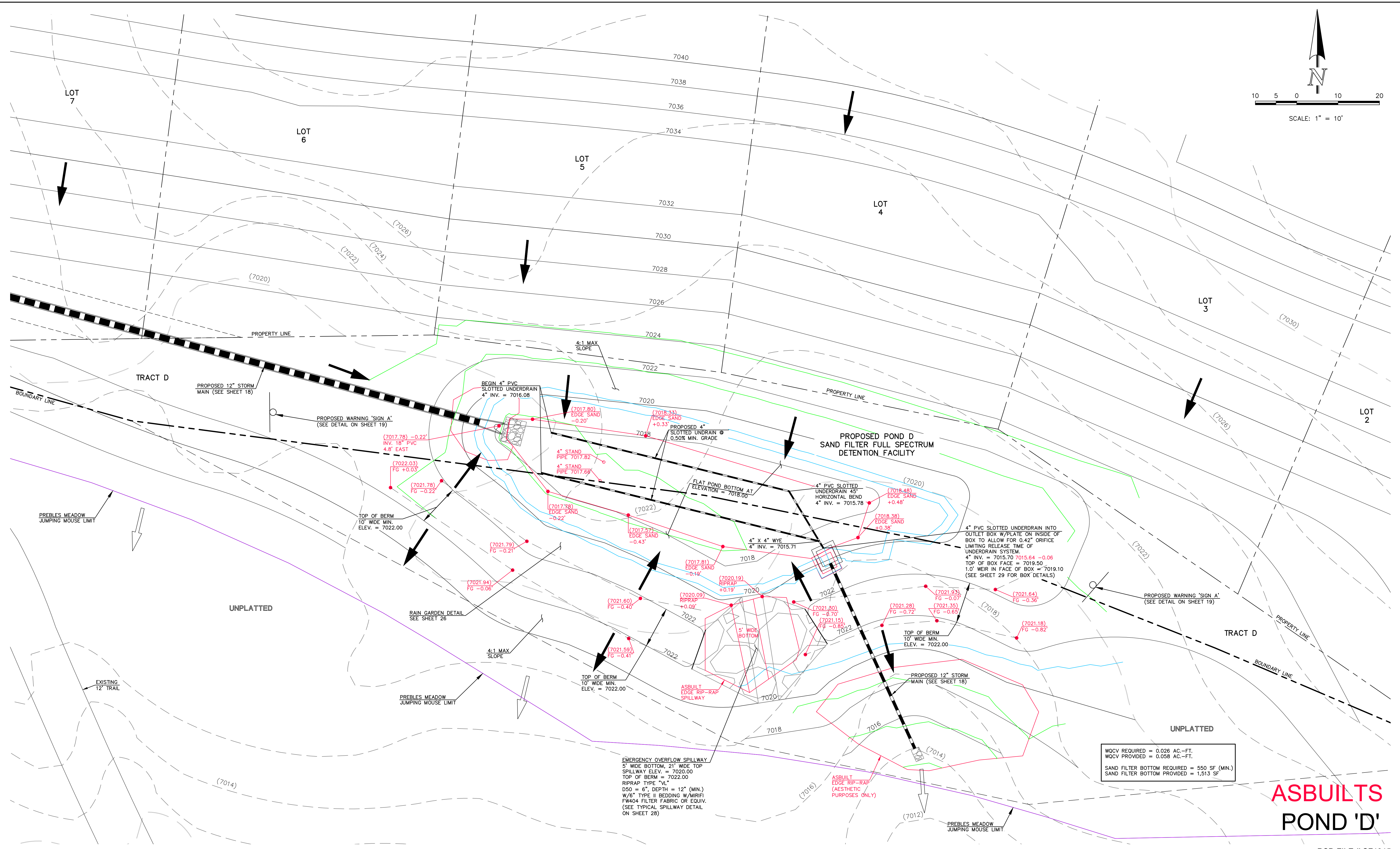
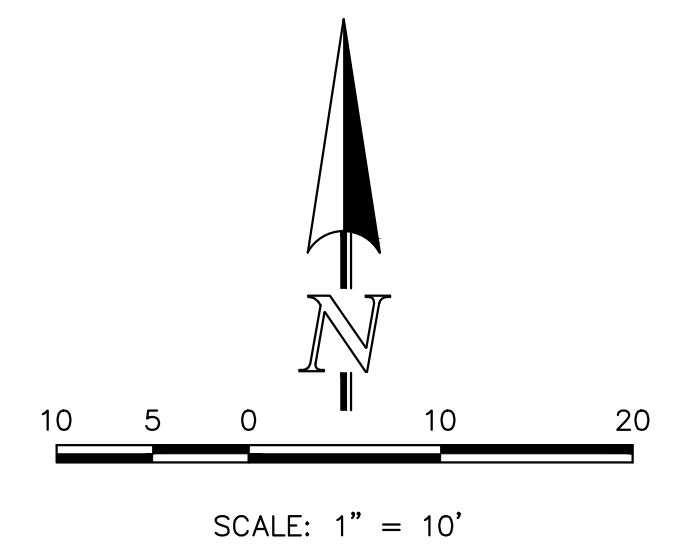
A blue ink handwritten signature is written over a circular red seal. The seal contains the text "COLORADO LICENSE #29794" and "KYLE R. CAMPBELL PROFESSIONAL ENGINEER".

Kyle R. Campbell, P.E.

Colorado No. #29794

For an on behalf of Classic Consulting Engineers and Surveyors, LLC





WQCV REQUIRED = 0.026 AC.-FT.  
 WQCV PROVIDED = 0.058 AC.-FT.  
 SAND FILTER BOTTOM REQUIRED = 550 SF (MIN.)  
 SAND FILTER BOTTOM PROVIDED = 1,513 SF

# ASBUILTS POND 'D'

PCD FILE # SF1915

LEGEND	
	PROPOSED FIRE HYDRANT
	PROPOSED WATER MAIN
	PROPOSED SANITARY SEWER MAIN
	PROPOSED STORM SEWER
	PROPOSED STORM INLET
	ROW/BOUNDARY LINE
	EXISTING FIRE HYDRANT
	EXISTING WATER MAIN
	EXISTING SANITARY SEWER MAIN
	EXISTING STORM SEWER
	EXISTING STORM INLET
	EXISTING GAS MAIN
	EXISTING ELECTRIC

48 HOURS BEFORE YOU DIG,  
CALL UTILITY LOCATORS

**811**  
UTILITY NOTIFICATION CENTER OF COLORADO  
IT'S THE LAW

THE LOCATIONS OF EXISTING UNDERGROUND UTILITIES ARE SHOWN IN AN APPROXIMATE WAY ONLY. THE CONTRACTOR SHALL DETERMINE THE EXACT LOCATION OF ALL EXISTING UTILITIES BEFORE COMMENCING WORK. THE CONTRACTOR SHALL BE FULLY RESPONSIBLE FOR ANY AND ALL DAMAGES WHICH MIGHT BE CAUSED BY HIS FAILURE TO EXACTLY LOCATE AND PRESERVE ANY AND ALL UNDERGROUND UTILITIES.

NO.	REVISION	DATE

REVIEW:

PREPARED UNDER MY DIRECT SUPERVISION FOR AND ON BEHALF OF CLASSIC CONSULTING ENGINEERS AND SURVEYORS, LLC

KYLE R. CAMPBELL, COLORADO P.E. #29794      DATE

619 N Cascade Avenue, Suite 200  
 Colorado Springs, Colorado 80903  
 (719)785-0790  
 (719)785-0799(Fax)

FOREST LAKES FILING NO. 5 CONSTRUCTION DRAWINGS			
POND 'D' SAND FILTER FULL SPECTRUM DETENTION			
DESIGNED BY	MAL	SCALE	DATE 07/14/19
DRAWN BY	BB	(H) 1"= 10'	SHEET 20 OF 32
CHECKED BY	(V) 1"=		JOB NO. 1175.50

N:\1755\DRAWINGS\CONSTRUCT\BOX\STORM\POND\_CERTS\VPOND\_D-ASBUILTS.dwg, 7/26/2019 4:04:21 PM, 1:1

INSTALL STEPS PER EL PASO COUNTY SPECS.

(ALL MATERIALS PER EL PASO COUNTY SPECIFICATIONS)

ORIFICE PLATE NOTES:

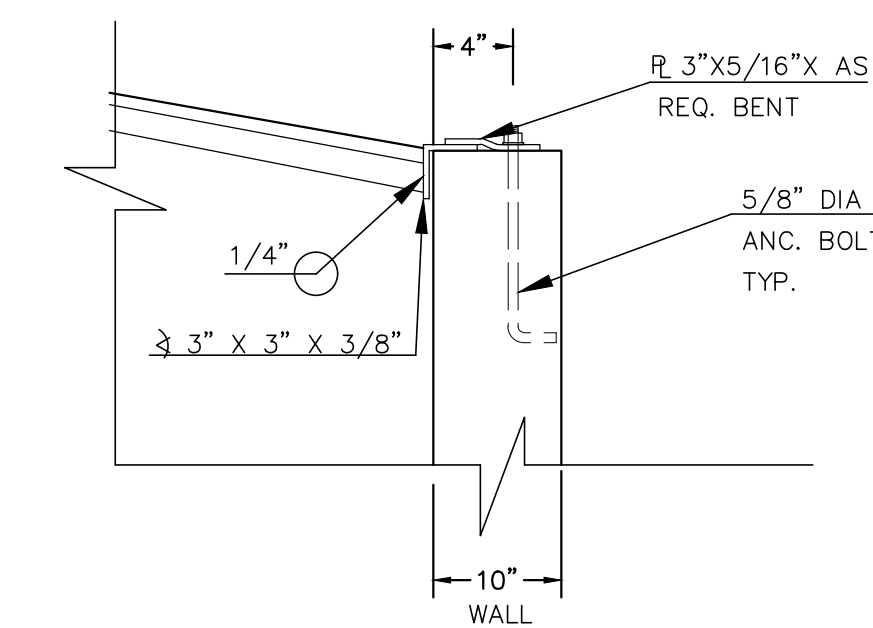
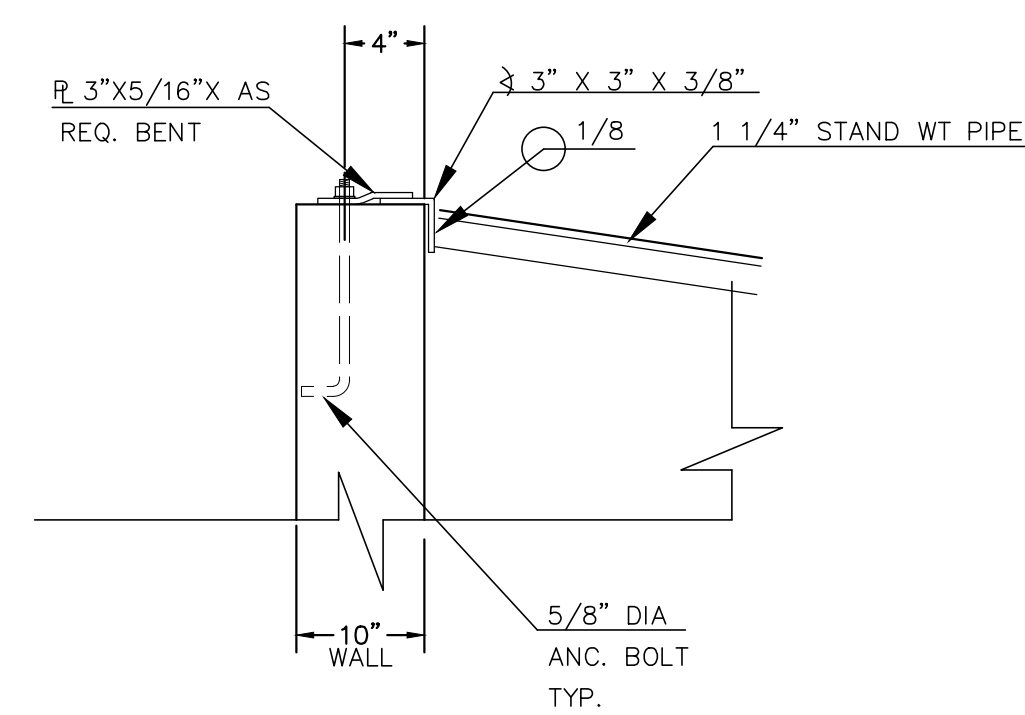
1. INSTALL HOLES AS SHOWN ON DETAIL TO LEFT.
2. PROVIDE GASKET MATERIAL BETWEEN THE ORIFICE PLATE AND CONCRETE

EURYV AND WQCV TRASH RACKS:

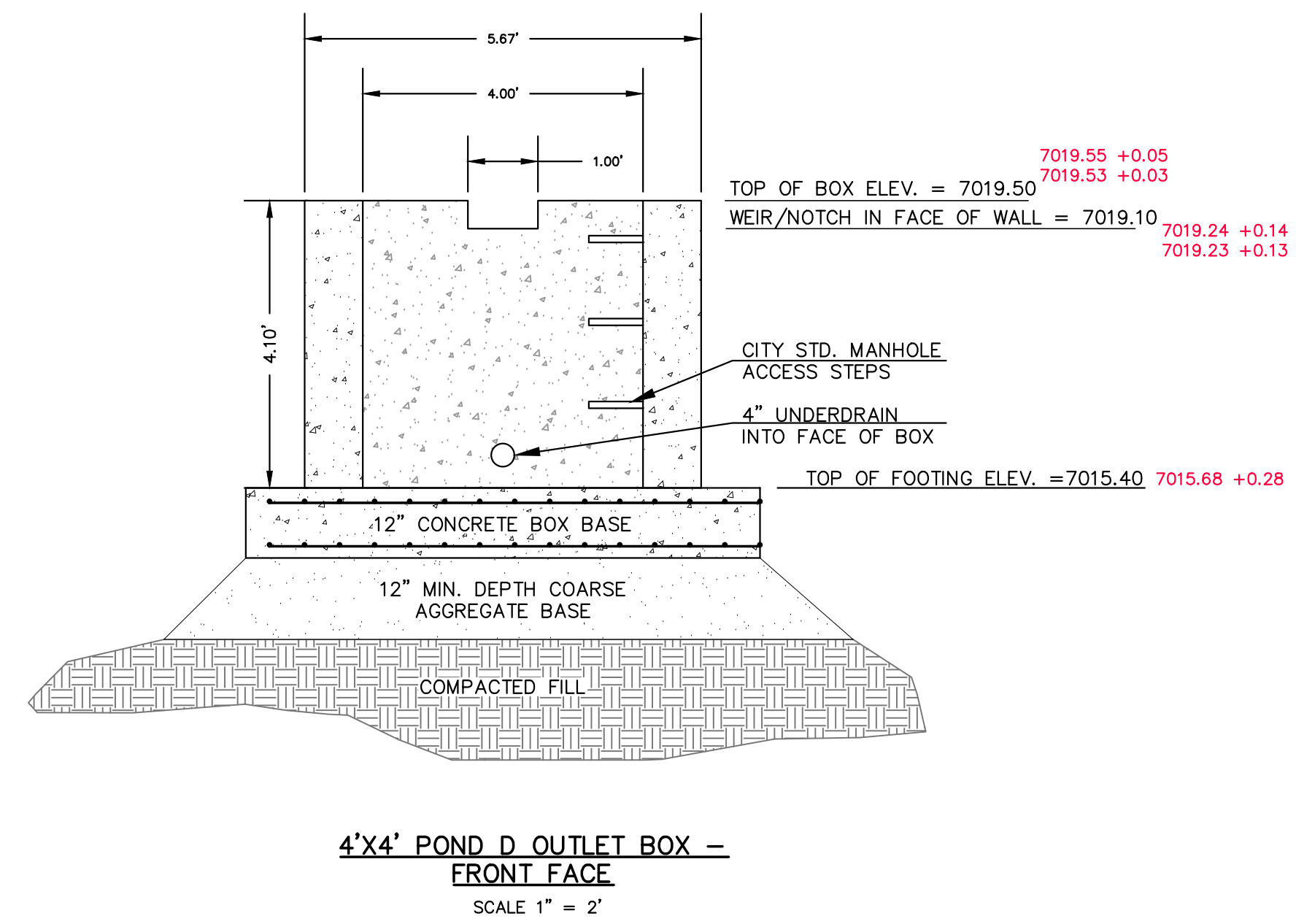
3. WELL-SCREEN TRASH RACKS SHALL BE ATTACHED BY INTERMITTENT WELDS ALONG THE EDGE OF THE MOUNTING FRAME.
4. BAR GRATE TRASH RACKS SHALL BE ALUMINUM AND SHALL BE BOLTED USING STAINLESS STEEL HARDWARE.
5. STRUCTURAL DESIGN OF TRASH RACKS SHALL BE BASED ON FULL HYDROSTATIC HEAD WITH ZERO HEAD DOWNSTREAM OF RACK

OVERFLOW TRASH RACKS:

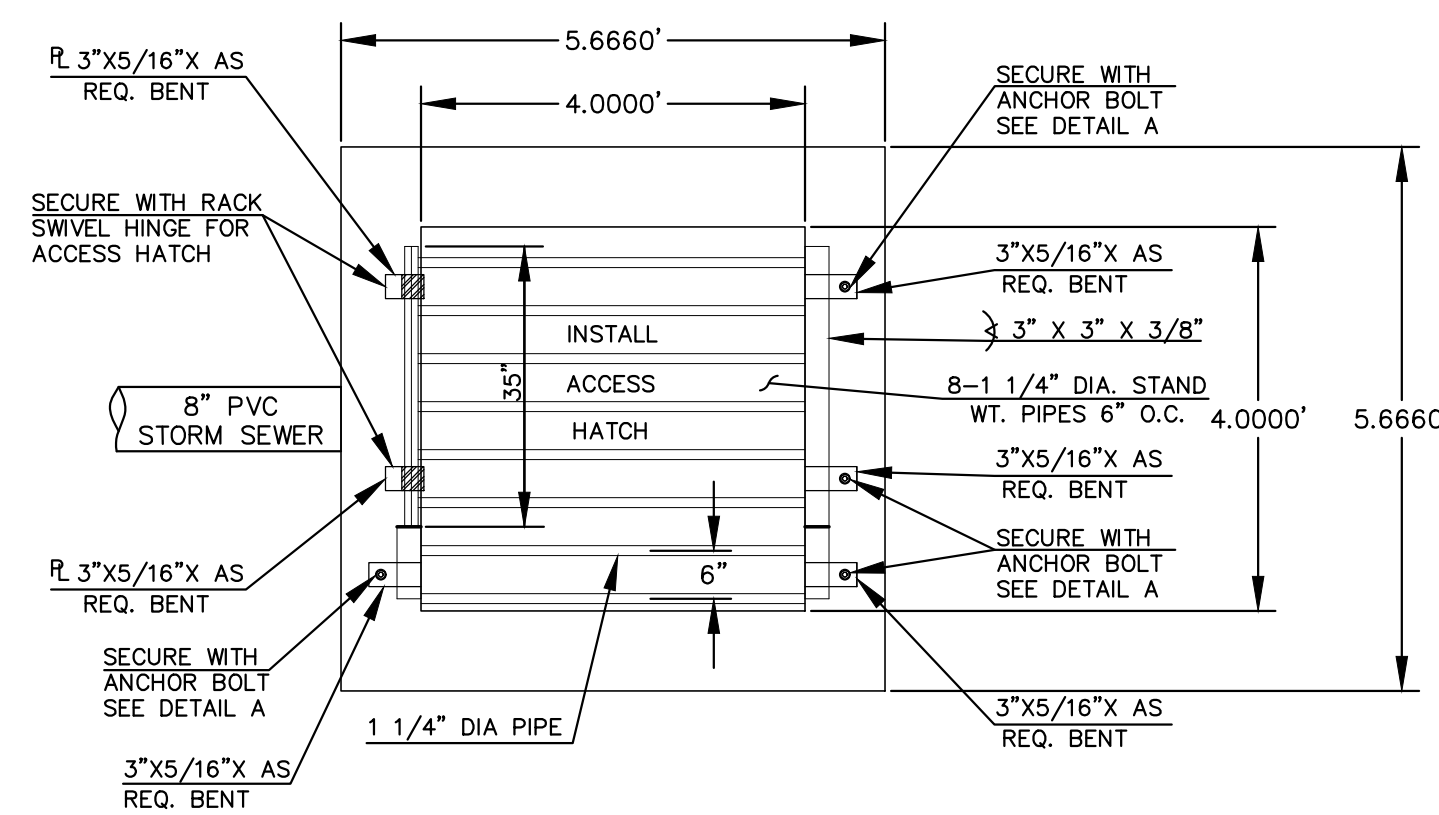
1. ALL TRASH RACKS SHALL BE MOUNTED USING STAINLESS STEEL HARDWARE AND PROVIDED WITH HINGED AND LOCKABLE OR BOLTABLE ACCESS PANELS
2. TRASH RACKS SHALL BE STAINLESS STEEL, ALUMINUM, OR STEEL. STEEL TRASH RACKS SHALL BE HOT DIP GALVANIZED AND MAY BE HOT POWDER COATED AFTER GALVANIZING.
3. TRASH RACKS SHALL BE DESIGNED SUCH THAT THE DIAGONAL DIMENSION OF EACH OPENING IS SMALLER THAN THE DIAMETER OF THE OUTLET PIPE.
4. STRUCTURAL DESIGN OF THE TRASH RACKS SHALL BE BASED ON FULL HYDROSTATIC HEAD WITH ZERO HEAD DOWNSTREAM OF THE RACK.



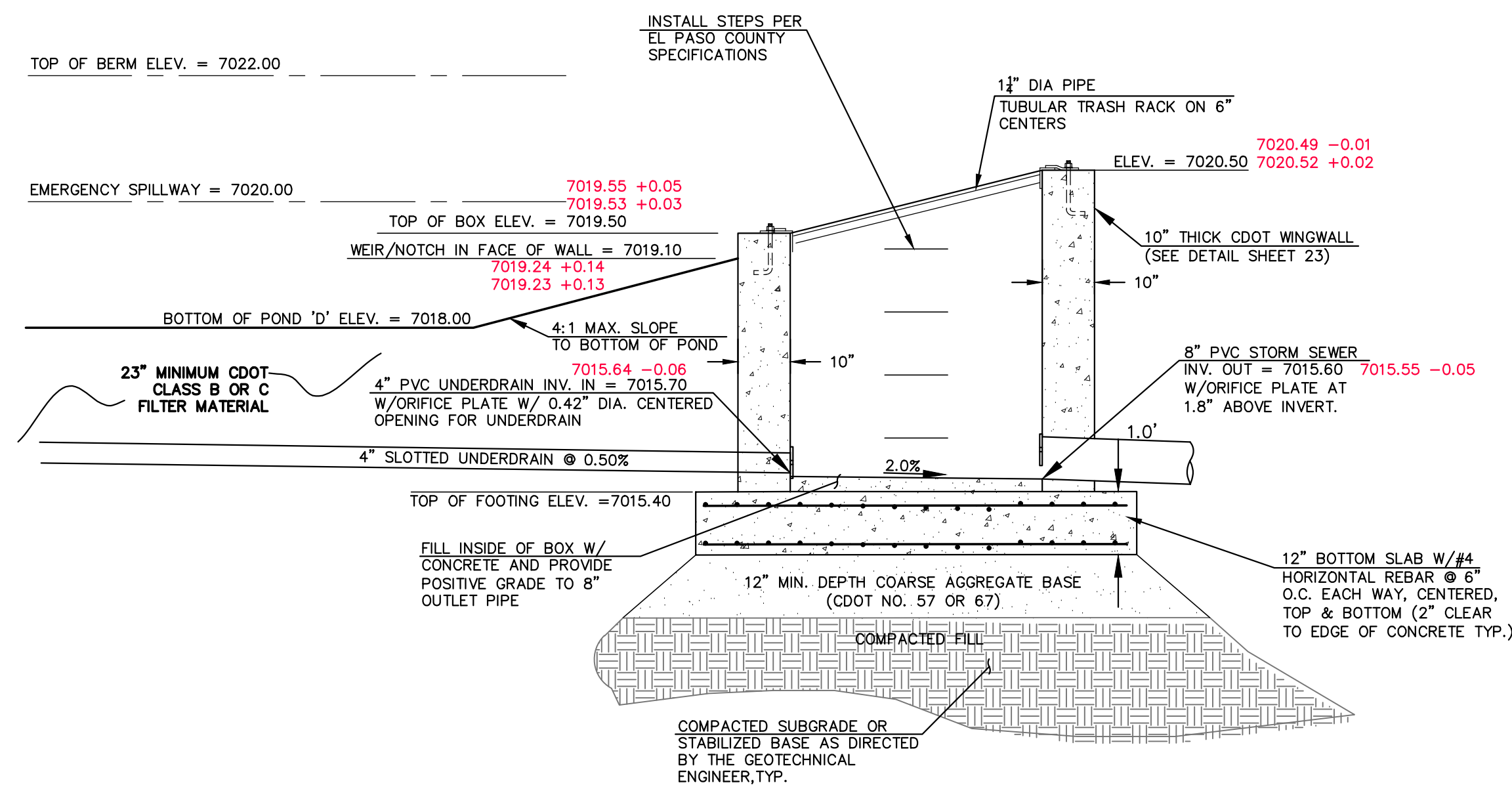
ANCHOR BOLT/GRATE DETAIL  
N.T.S.



4'X4' POND D OUTLET BOX -  
FRONT FACE  
SCALE 1" = 2'



4'X4' POND D OUTLET BOX -  
OVERFLOW TRASH RACK  
SCALE 1" = 2'



4'X4' POND D OUTLET BOX -  
PROFILE VIEW  
SCALE 1" = 2'

**ASBUILTS**  
**POND 'D'**

PCD FILE # SF1915

<p>48 HOURS BEFORE YOU DIG, CALL UTILITY LOCATORS</p> <p><b>811</b></p> <p>UTILITY NOTIFICATION CENTER OF COLORADO IT'S THE LAW</p> <p>THE LOCATIONS OF EXISTING UNDERGROUND UTILITIES ARE SHOWN IN AN APPROXIMATE WAY ONLY. THE CONTRACTOR SHALL DETERMINE THE EXACT LOCATION OF ALL EXISTING UTILITIES BEFORE COMMENCING WORK. THE CONTRACTOR SHALL BE FULLY RESPONSIBLE FOR ANY AND ALL DAMAGES WHICH MIGHT BE CAUSED BY HIS FAILURE TO EXACTLY LOCATE AND PRESERVE ANY AND ALL UNDERGROUND UTILITIES.</p>	<p>NO. REVISION</p> <p>DATE</p>	<p>REVIEW:</p> <p>PREPARED UNDER MY DIRECT SUPERVISION FOR AND ON BEHALF OF CLASSIC CONSULTING ENGINEERS AND SURVEYORS, LLC</p> <p>KYLE R. CAMPBELL, COLORADO P.E. #29794</p>	<p>FOREST LAKES FILING NO. 5 CONSTRUCTION DRAWINGS POND 'D' POND OUTLET BOX - PROFILE VIEW</p> <p>DESIGNED BY MAL SCALE DATE 07/14/19</p> <p>DRAWN BY BB (H) 1" = 2' SHEET 29 OF 32</p> <p>CHECKED BY (V) 1" = N/A JOB NO. 1175.50</p>
	<p>CLASSIC CONSULTING</p> <p>619 N. Cascade Avenue, Suite 200 Colorado Springs, Colorado 80903</p> <p>(719) 785-0790 (719) 785-0799 (Fax)</p>		

N:\117550\DRAWINGS\CONSTRUCTION\STORM\PCD\CERTS\PCD\PCD-D-ASBUILTS-02.dwg, 6/25/2021, 10:45:15 PM, 1:1