

MVEA YODER SUBSTATION

EL PASO COUNTY, CO

GRADING, EROSION & SEDIMENT CONTROL PLAN

SEPTEMBER 2018

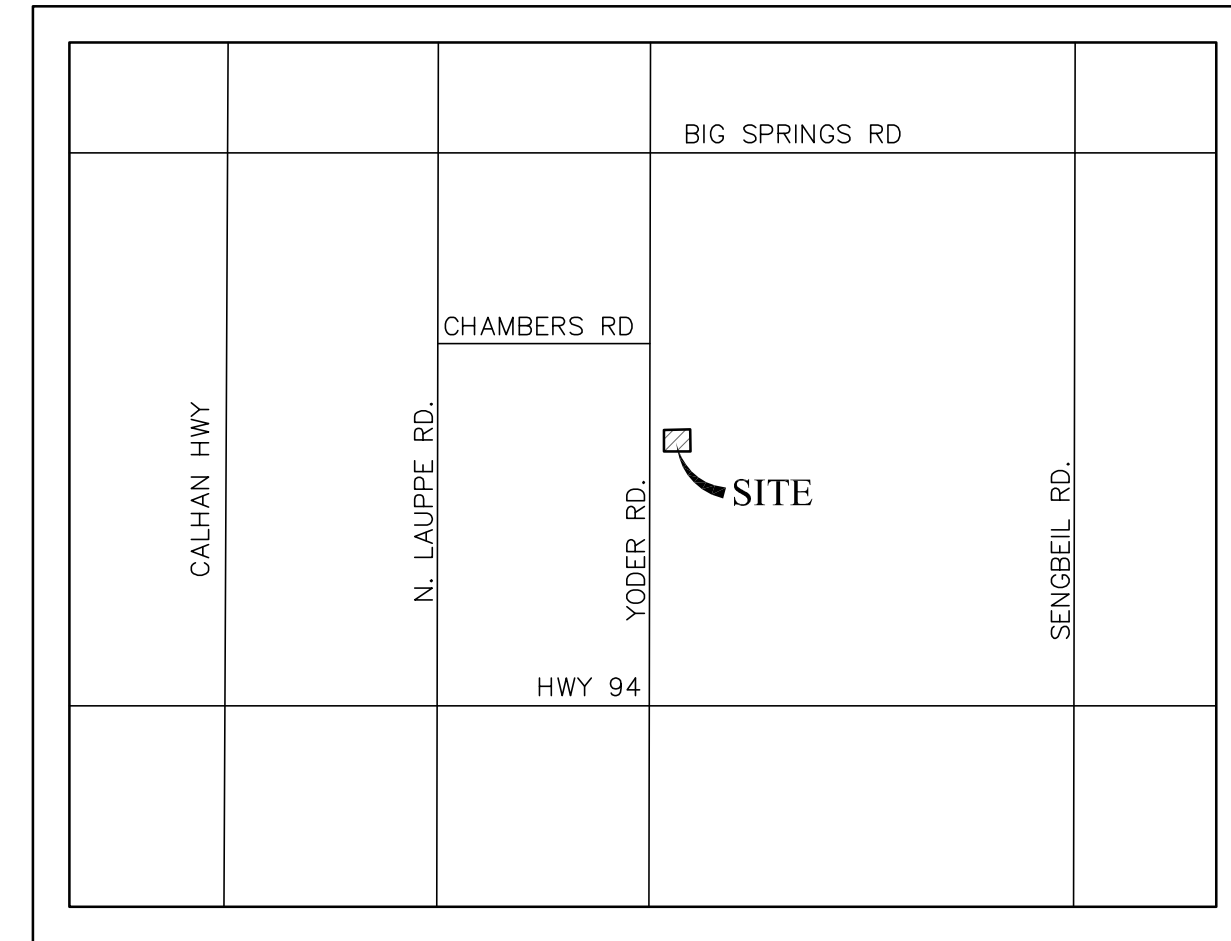
48 HOURS BEFORE YOU DIG,
CALL UTILITY LOCATORS
1-800-922-1987
CITY OF COLORADO SPRINGS DEPT. OF UTILITIES
GAS, ELECTRIC, WATER AND WASTEWATER

STANDARD NOTES FOR EL PASO COUNTY GRADING AND EROSION CONTROL NOTES

REVISED 8/24/16

1. CONSTRUCTION MAY NOT COMMENCE UNTIL A CONSTRUCTION PERMIT IS OBTAINED FROM PLANNING AND COMMUNITY DEVELOPMENT AND A PRECONSTRUCTION CONFERENCE IS HELD WITH PLANNING AND COMMUNITY DEVELOPMENT INSPECTIONS.
2. STORMWATER DISCHARGES FROM CONSTRUCTION SITES SHALL NOT CAUSE OR THREATEN TO CAUSE POLLUTION, CONTAMINATION, OR DEGRADATION OF STATE WATERS. ALL WORK AND EARTH DISTURBANCE SHALL BE DONE IN A MANNER THAT MINIMIZES POLLUTION OF ANY ON-SITE OR OFF-SITE WATERS, INCLUDING WETLANDS.
3. NOTWITHSTANDING ANYTHING DEPICTED IN THESE PLANS IN WORDS OR GRAPHIC REPRESENTATION, ALL DESIGN AND CONSTRUCTION RELATED TO ROADS, STORM DRAINAGE AND EROSION CONTROL SHALL CONFORM TO THE STANDARDS AND REQUIREMENTS OF THE MOST RECENT VERSION OF THE RELEVANT ADOPTED EL PASO COUNTY STANDARDS, INCLUDING THE LAND DEVELOPMENT CODE, THE ENGINEERING CRITERIA MANUAL, THE DRAINAGE CRITERIA MANUAL, AND THE DRAINAGE CRITERIA MANUAL VOLUME 2. ANY DEVIATIONS TO REGULATIONS AND STANDARDS MUST BE REQUESTED, AND APPROVED, IN WRITING.
4. A SEPARATE STORMWATER MANAGEMENT PLAN (SWMP) FOR THIS PROJECT SHALL BE COMPLETED AND AN EROSION AND STORMWATER QUALITY CONTROL PERMIT (ESQCP) ISSUED PRIOR TO COMMENCING CONSTRUCTION. DURING CONSTRUCTION THE SWMP IS THE RESPONSIBILITY OF THE DESIGNATED STORMWATER MANAGER, SHALL BE LOCATED ON SITE AT ALL TIMES AND SHALL BE KEPT UP TO DATE WITH WORK PROGRESS AND CHANGES IN THE FIELD.
5. ONCE THE ESQCP HAS BEEN ISSUED, THE CONTRACTOR MAY INSTALL THE INITIAL STAGE EROSION AND SEDIMENT CONTROL BMPS AS INDICATED ON THE GEC. A PRECONSTRUCTION MEETING BETWEEN THE CONTRACTOR, ENGINEER, AND EL PASO COUNTY WILL BE HELD PRIOR TO ANY CONSTRUCTION. IT IS THE RESPONSIBILITY OF THE APPLICANT TO COORDINATE THE MEETING TIME AND PLACE WITH COUNTY PCD INSPECTIONS STAFF.
6. SOIL EROSION CONTROL MEASURES FOR ALL SLOPES, CHANNELS, DITCHES, OR ANY DISTURBED LAND AREA SHALL BE COMPLETED WITHIN 21 CALENDAR DAYS AFTER FINAL GRADING, OR FINAL EARTH DISTURBANCE, HAS BEEN COMPLETED. DISTURBED AREAS AND STOCKPILES WHICH ARE NOT AT FINAL GRADE BUT WILL REMAIN DORMANT FOR LONGER THAN 30 DAYS SHALL ALSO BE MULCHED WITHIN 21 DAYS AFTER INTERIM GRADING. AN AREA THAT IS GOING TO REMAIN IN AN INTERIM STATE FOR MORE THAN 60 DAYS SHALL ALSO BE SEEDED. ALL TEMPORARY SOIL EROSION CONTROL MEASURES AND BMPS SHALL BE MAINTAINED UNTIL PERMANENT SOIL EROSION CONTROL MEASURES ARE IMPLEMENTED AND ESTABLISHED.
7. TEMPORARY SOIL EROSION CONTROL FACILITIES SHALL BE REMOVED AND EARTH DISTURBANCE AREAS GRADED AND STABILIZED WITH PERMANENT SOIL EROSION CONTROL MEASURES PURSUANT TO STANDARDS AND SPECIFICATION PRESCRIBED IN THE DCM VOLUME II AND THE ENGINEERING CRITERIA MANUAL (ECM) APPENDIX I.
8. ALL PERSONS ENGAGED IN EARTH DISTURBANCE SHALL IMPLEMENT AND MAINTAIN ACCEPTABLE SOIL EROSION AND SEDIMENT CONTROL MEASURES INCLUDING BMPS IN CONFORMANCE WITH THE EROSION CONTROL TECHNICAL STANDARDS OF THE DRAINAGE CRITERIA MANUAL (DCM) VOLUME II AND IN ACCORDANCE WITH THE STORMWATER MANAGEMENT PLAN (SWMP).
9. ALL TEMPORARY EROSION CONTROL FACILITIES INCLUDING BMPS AND ALL PERMANENT FACILITIES INTENDED TO CONTROL EROSION OF ANY EARTH DISTURBANCE OPERATIONS, SHALL BE INSTALLED AS DEFINED IN THE APPROVED PLANS, THE SWMP AND THE DCM VOLUME II AND MAINTAINED THROUGHOUT THE DURATION OF THE EARTH DISTURBANCE OPERATION.
10. ANY EARTH DISTURBANCE SHALL BE CONDUCTED IN SUCH A MANNER SO AS TO EFFECTIVELY REDUCE ACCELERATED SOIL EROSION AND RESULTING SEDIMENTATION. ALL DISTURBANCES SHALL BE DESIGNED, CONSTRUCTED, AND COMPLETED SO THAT THE EXPOSED AREA OF ANY DISTURBED LAND SHALL BE LIMITED TO THE SHORTEST PRACTICAL PERIOD OF TIME.
11. ANY TEMPORARY OR PERMANENT FACILITY DESIGNED AND CONSTRUCTED FOR THE CONVEYANCE OF STORMWATER AROUND, THROUGH, OR FROM THE EARTH DISTURBANCE AREA SHALL BE DESIGNED TO LIMIT THE DISCHARGE TO A NON-EROSIVE VELOCITY.
12. CONCRETE WASH WATER SHALL BE CONTAINED AND DISPOSED OF IN ACCORDANCE WITH THE SWMP. NO WASH WATER SHALL BE DISCHARGED TO OR ALLOWED TO RUNOFF TO STATE WATERS, INCLUDING ANY SURFACE OR SUBSURFACE STORM DRAINAGE SYSTEM OR FACILITIES.
13. EROSION CONTROL BLANKETING IS TO BE USED ON SLOPES STEEPER THAN 3:1.
14. BUILDING, CONSTRUCTION, EXCAVATION, OR OTHER WASTE MATERIALS SHALL NOT BE TEMPORARILY PLACED OR STORED IN THE STREET, ALLEY, OR OTHER PUBLIC WAY, UNLESS IN ACCORDANCE WITH AN APPROVED TRAFFIC CONTROL PLAN. BMP'S MAY BE REQUIRED BY EL PASO COUNTY ENGINEERING IF DEEMED NECESSARY, BASED ON SPECIFIC CONDITIONS AND CIRCUMSTANCES.
15. VEHICLE TRACKING OF SOILS AND CONSTRUCTION DEBRIS OFF-SITE SHALL BE MINIMIZED. MATERIALS TRACKED OFFSITE SHALL BE CLEANED UP AND PROPERLY DISPOSED OF IMMEDIATELY.
16. CONTRACTOR SHALL BE RESPONSIBLE FOR THE REMOVAL OF ALL WASTES FROM THE CONSTRUCTION SITE FOR DISPOSAL IN ACCORDANCE WITH LOCAL AND STATE REGULATORY REQUIREMENTS. NO CONSTRUCTION DEBRIS, TREE SLASH, BUILDING MATERIAL WASTES OR UNUSED BUILDING MATERIALS SHALL BE BURIED, DUMPED, OR DISCHARGED AT THE SITE.
17. THE OWNER, SITE DEVELOPER, CONTRACTOR, AND/OR THEIR AUTHORIZED AGENTS SHALL BE RESPONSIBLE FOR THE REMOVAL OF CONSTRUCTION DEBRIS, DIRT, TRASH, ROCK, SEDIMENT, AND SAND THAT MAY ACCUMULATE IN THE STORM SEWER OR OTHER DRAINAGE CONVEYANCE SYSTEM AND STORMWATER APPURTENANCES AS A RESULT OF SITE DEVELOPMENT.
18. THE QUANTITY OF MATERIALS STORED ON THE PROJECT SITE SHALL BE LIMITED, AS MUCH AS PRACTICAL, TO THAT QUANTITY REQUIRED TO PERFORM THE WORK IN AN ORDERLY SEQUENCE. ALL MATERIALS STORED ON-SITE SHALL BE STORED IN A NEAT, ORDERLY MANNER, IN THEIR ORIGINAL CONTAINERS, WITH ORIGINAL MANUFACTURER'S LABELS.
19. NO CHEMICALS ARE TO BE USED BY THE CONTRACTOR, WHICH HAVE THE POTENTIAL TO BE RELEASED IN STORMWATER UNLESS PERMISSION FOR THE USE OF A SPECIFIC CHEMICAL IS GRANTED IN WRITING BY THE ECM ADMINISTRATOR. IN GRANTING THE USE OF SUCH CHEMICALS, SPECIAL CONDITIONS AND MONITORING MAY BE REQUIRED.
20. BULK STORAGE STRUCTURES FOR PETROLEUM PRODUCTS AND OTHER CHEMICALS SHALL HAVE ADEQUATE PROTECTION SO AS TO CONTAIN ALL SPILLS AND PREVENT ANY SPILLED MATERIAL FROM ENTERING STATE WATERS, INCLUDING ANY SURFACE OR SUBSURFACE STORM DRAINAGE SYSTEM OR FACILITIES.
21. NO PERSON SHALL CAUSE THE IMPEDIMENT OF STORMWATER FLOW IN THE FLOW LINE OF THE CURB AND GUTTER OR IN THE DITCHLINE.
22. INDIVIDUALS SHALL COMPLY WITH THE "COLORADO WATER QUALITY CONTROL ACT" (TITLE 25, ARTICLE 8, CRS), AND THE "CLEAN WATER ACT" (33 USC 1344), IN ADDITION TO THE REQUIREMENTS INCLUDED IN THE DCM VOLUME II AND THE ECM APPENDIX I. ALL APPROPRIATE PERMITS MUST BE OBTAINED BY THE CONTRACTOR PRIOR TO CONSTRUCTION (NPDES, FLOODPLAIN, 404, FUGITIVE DUST, ETC.). IN THE EVENT OF CONFLICTS BETWEEN THESE REQUIREMENTS AND LAWS, RULES, OR REGULATIONS OF OTHER FEDERAL, STATE, OR COUNTY AGENCIES, THE MORE RESTRICTIVE LAWS, RULES, OR REGULATIONS SHALL APPLY.
23. ALL CONSTRUCTION TRAFFIC MUST ENTER/EXIT THE SITE AT APPROVED CONSTRUCTION ACCESS POINTS.
24. PRIOR TO ACTUAL CONSTRUCTION THE PERMITEE SHALL VERIFY THE LOCATION OF EXISTING UTILITIES.
25. A WATER SOURCE SHALL BE AVAILABLE ON SITE DURING EARTHWORK OPERATIONS AND UTILIZED AS REQUIRED TO MINIMIZE DUST FROM EARTHWORK EQUIPMENT AND WIND.
26. THE SOILS REPORT FOR THIS SITE HAS BEEN PREPARED BY CTL-THOMPSON AND SHALL BE CONSIDERED A PART OF THESE PLANS.
27. AT LEAST TEN DAYS PRIOR TO THE ANTICIPATED START OF CONSTRUCTION, FOR PROJECTS THAT WILL DISTURB 1 ACRE OR MORE, THE OWNER OR OPERATOR OF CONSTRUCTION ACTIVITY SHALL SUBMIT A PERMIT APPLICATION FOR STORMWATER DISCHARGE TO THE COLORADO DEPARTMENT OF PUBLIC HEALTH AND ENVIRONMENT, WATER QUALITY DIVISION. THE APPLICATION CONTAINS CERTIFICATION OF COMPLETION OF A STORMWATER MANAGEMENT PLAN (SWMP), OF WHICH THIS GRADING AND EROSION CONTROL PLAN MAY BE A PART. FOR INFORMATION OR APPLICATION MATERIALS CONTACT:

COLORADO DEPARTMENT OF PUBLIC HEALTH AND ENVIRONMENT
WATER QUALITY CONTROL DIVISION
WQCD - PERMITS
4300 CHERRY CREEK DRIVE SOUTH
DENVER, CO 80246-1530
ATTN: PERMITS UNIT



VICINITY MAP
N.T.S.

GENERAL NOTES

1. THE LOCATIONS OF EXISTING UTILITIES HAVE BEEN SHOWN ACCORDING TO THE BEST AVAILABLE INFORMATION. THE CONTRACTOR IS RESPONSIBLE FOR FIELD LOCATION AND VERIFICATION OF EXISTING UTILITIES PRIOR TO BEGINNING WORK. IF IT APPEARS THAT THERE COULD BE A CONFLICT WITH ANY UTILITIES, WHETHER INDICATED ON THE PLANS OR NOT, THE CONTRACTOR IS TO NOTIFY THE ENGINEER AND OWNER IMMEDIATELY. THE CONTRACTOR IS RESPONSIBLE FOR THE PROTECTION AND REPAIR (IF NECESSARY) OF ALL UTILITIES.
2. THE PREPARED EROSION/SEDIMENT CONTROL PLAN IS TO BE CONSIDERED A PART OF THESE PLANS AND ITS REQUIREMENTS ADHERED TO DURING THE CONSTRUCTION OF THIS PROJECT.

EL PASO COUNTY STANDARD NOTES

1. ALL DRAINAGE AND ROADWAY CONSTRUCTION SHALL MEET THE STANDARDS AND SPECIFICATIONS OF THE CITY OF COLORADO SPRINGS/EL PASO COUNTY DRAINAGE CRITERIA MANUAL, VOLUMES 1 & 2 AND THE EL PASO COUNTY ENGINEERING CRITERIA MANUAL.
2. CONTRACTOR SHALL BE RESPONSIBLE FOR THE NOTIFICATION AND FIELD NOTIFICATION OF ALL EXISTING UTILITIES, WHETHER SHOWN ON THE PLANS OR NOT, BEFORE BEGINNING CONSTRUCTION. LOCATION OF EXISTING UTILITIES SHALL BE VERIFIED BY THE CONTRACTOR PRIOR TO CONSTRUCTION. ALL 811 TO CONTACT THE UTILITY NOTIFICATION CENTER OF COLORADO (UNCC).
3. CONTRACTOR SHALL KEEP A COPY OF THESE APPROVED PLANS, THE GRADING AND EROSION CONTROL PLAN, THE STORMWATER MANAGEMENT PLAN (SWMP), THE SOILS AND GEOTECHNICAL REPORT, AND THE APPROPRIATE DESIGN AND CONSTRUCTION STANDARDS AND SPECIFICATIONS AT THE JOB SITE AT ALL TIMES, INCLUDING THE FOLLOWING:
 - A. EL PASO COUNTY ENGINEERING CRITERIA MANUAL (ECM)
 - B. CITY OF COLORADO SPRINGS/EL PASO COUNTY DRAINAGE CRITERIA MANUAL, VOLUMES 1 & 2
 - C. COLORADO DEPARTMENT OF TRANSPORTATION (CDOT) STANDARD SPECIFICATIONS FOR ROAD AND BRIDGE CONSTRUCTION
 - D. CDOT M & S STANDARDS.
4. IT IS THE DESIGN ENGINEER'S RESPONSIBILITY TO ACCURATELY SHOW EXISTING CONDITIONS, BOTH ONSITE AND OFFSITE, ON THE CONSTRUCTION PLANS. ANY MODIFICATIONS NECESSARY DUE TO CONFLICTS, OMISSIONS, OR CHANGED CONDITIONS WILL BE ENTIRELY THE DEVELOPER'S RESPONSIBILITY TO RECTIFY.
5. IT IS THE CONTRACTORS RESPONSIBILITY TO UNDERSTAND THE REQUIREMENTS OF ALL JURISDICTIONAL AGENCIES AND TO OBTAIN ALL REQUIRED PERMITS, INCLUDING BUT NOT LIMITED TO EL PASO COUNTY EROSION AND STORMWATER QUALITY CONTROL PERMIT (ESQCP), REGIONAL BUILDING FLOODPLAIN DEVELOPMENT PERMIT, U.S. ARMY CORPS OF ENGINEERS-ISSUED 401 AND/OR 404 PERMITS, AND COUNTY AND STATE FUGITIVE DUST PERMITS.
6. CONTRACTOR SHALL NOT DEVIATE FROM THE PLANS WITHOUT FIRST OBTAINING WRITTEN APPROVAL FROM THE DESIGN ENGINEER AND PCD. CONTRACTOR SHALL NOTIFY THE DESIGN ENGINEER IMMEDIATELY UPON DISCOVERY OF ANY ERRORS OR INCONSISTENCIES.
7. THE LIMITS OF CONSTRUCTION SHALL REMAIN WITHIN THE PROPERTY LINE UNLESS OTHERWISE NOTED. THE OWNER/DEVELOPER SHALL OBTAIN WRITTEN PERMISSION AND EASEMENTS, WHERE REQUIRED, FROM ADJOINING PROPERTY OWNER(S) PRIOR TO ANY OFF-SITE DISTURBANCE, GRADING OR CONSTRUCTION.

SITE DATA

OWNER/PETITIONER:
MOUNTAIN VIEW ELECTRIC ASSOCIATION
11140 E. WOODMAN RD
PEYTON, CO 80931
MR. DAVID WALDNER, (719) 495-2283

PREPARER:
TERRA NOVA ENGINEERING, INC.
125 N. WAHSATCH AVE.
COLORADO SPRINGS, CO 80903
(719) 635-6422 OFFICE
(719) 499-2255 MOBILE

DESCRIPTION OF ACTIVITIES:

THE DEVELOPER PROPOSES TO CONSTRUCT AN ELECTRIC SUBSTATION AND IMPROVE THE EXISTING DIRT ACCESS ROAD ALONG THE SOUTHERN BOUNDARY TO GRAVEL. THE SITE CONSISTS OF 5 ACRES OF UNDEVELOPED PRAIRIE AREA LOCATED WITHIN A 40 ACRE RESIDENTIAL PARCEL. A SEDIMENT BASIN IS PROPOSED TO BE LOCATED ALONG THE SOUTH SIDE OF THE SITE AND ONE LOCATED AT THE JUST NORTH OF THE ACCESS ROAD.

THE SITE CURRENTLY CONSISTS OF NATIVE GRASSES AND TREES WITH AN ESTIMATED COVERAGE AREA OF APPROXIMATELY 70%. THERE ARE NO EROSION CONTROL MEASURES CURRENTLY IN PLACE.

EROSION CONTROL MEASURES SHALL BE IMPLEMENTED IN A MANNER THAT WILL PROTECT PROPERTIES AND PUBLIC FACILITIES FROM THE ADVERSE EFFECTS OF EROSION AND SEDIMENTATION AS A RESULT OF CONSTRUCTION AND EARTHWORK ACTIVITIES. IT IS ANTICIPATED THAT CONSTRUCTION ACTIVITIES WILL OCCUR BETWEEN SUMMER OF 2018 AND FALL 2019 AT WHICH POINT IT WILL BE CONSIDERED COMPLETED.

CONSTRUCTION PHASING IS ANTICIPATED TO OCCUR AS FOLLOWS:

PHASE 1:
PRIOR TO START OF CONSTRUCTION, INITIAL EROSION CONTROL MEASURES TO BE INSTALLED INCLUDE, BUT NOT LIMITED TO VEHICLE TRACKING CONTROL (VTC) PADS AT THE SITE EXIT POINT ONTO PAVEMENT, SEDIMENT CONTROL LOGS (SCL) ALONG THE PROPERTY BOUNDARY ON THE SOUTH AND EAST SIDES OF THE SITE, A STAGING AREA (SSA) WHICH WILL REMAIN IN PLACE UNTIL CONSTRUCTION IS COMPLETED. ALSO INCLUDED IN THIS PHASE WILL BE INSTALLATION OF SILT FENCE (SF) AROUND THE BASE OF THE DIRT STOCKPILE AREA. UNTIL THE STOCKPILE HAS BEEN REMOVED, THE SILT FENCE SHALL REMAIN IN PLACE AND BE MAINTAINED IN SUCH A WAY AS TO REDUCE TRANSFERENCE OF SEDIMENTATION OVER THE SITE.

PHASE 2:
SEDIMENT CONTROL LOGS (SCL) AND STRAW BALE BARRIERS (SBB) ALONG THE NEWLY GRADED SWALES SHALL BE INSTALLED. THE PROPOSED SEDIMENT BASIN WILL BE GRADED IN AND THE INLET PROTECTION (IP) SHALL BE PLACED AT THE OUTLET STRUCTURE. ALL PREVIOUSLY INSTALLED BMP'S SHALL REMAIN IN PLACE UNTIL A LATER PHASE.

PHASE 3:
ANY AREA THAT IS GOING TO REMAIN IN AN INTERIM STATE FOR MORE THAN 60 DAYS SHALL BE SEEDED IN ORDER TO ESTABLISH A VEGETATIVE COVER UNTIL THE FINAL LANDSCAPING IS INSTALLED. ALL TEMPORARY SOIL EROSION CONTROL MEASURES AND BMP'S SHALL BE MAINTAINED UNTIL PERMANENT SOIL EROSION CONTROL MEASURES ARE IMPLEMENTED AND VEGETATION HAS BEEN ESTABLISHED TO 70% ON AREAS NOT COVERED BY GRAVEL. ONCE VEGETATIVE COVER HAS BEEN ESTABLISHED AT 70% OF THE DISTURBED AREAS, SILT FENCE WILL BE REMOVED FROM THE DIRT STOCKPILE AREA. THE DIRT STOCKPILE (SP) WILL BE REMOVED AND RE-VEGETATED AS PART OF THIS PHASE.

PHASE 4:
FINAL CONSTRUCTION ACTIVITIES HAVE BEEN COMPLETED AT THIS POINT. THE VEHICLE TRACKING CONTROL PADS, SEDIMENT CONTROL LOGS AND STAGING AREAS HAVE ALL BEEN REMOVED AND PERMANENT EROSION CONTROL MEASURES HAVE BEEN ESTABLISHED.

THE SOILS ON THIS SITE ARE NOTED AS TYPE 97, TRUCKTON SANDY LOAM W/3-9 PERCENT SLOPES. A SOILS MAP HAS BEEN INCLUDED IN THE FINAL DRAINAGE REPORT. EXISTING SITE VEGETATION CONSISTS OF NATIVE GRASSES AND TREES. THERE ARE NO WETLANDS ON THIS SITE.

THERE ARE NO POTENTIAL POLLUTANTS EXISTING OR PROPOSED FOR STORAGE ON THIS SITE.

THE RECEIVING WATERS FOR THIS AREA IS CHICO CREEK. PER THE FINAL DRAINAGE REPORT, THE MAJORITY OF THE SITE (APPROXIMATELY 95%) FLOWS TO THE SOUTH TOWARD CANADA DRIVE.

THE PROPERTY OWNER OR OWNERS REPRESENTATIVE IS RESPONSIBLE FOR INSPECTING AND MAINTAINING THE SITE ON A REGULAR BASIS. INITIAL CRITERIA FOR THE OCCURRENCE OF INSPECTIONS IS AS FOLLOWS:

1. ONCE EVERY 14 DAYS OR
 2. AFTER ANY PRECIPITATION OR SNOWMELT EVENT THAT SIGNIFICANT ENOUGH TO CAUSE SURFACE EROSION.
- A WRITTEN RECORD OF INSPECTIONS SHALL BE KEPT BY THE OWNER OR OWNERS REPRESENTATIVE AND MADE AVAILABLE TO THE COUNTY UPON REQUEST. THIS WILL CONTINUE UNTIL THE SITE IS STABILIZED AND THE STOCKPILE IS NO LONGER NEEDED.

LEGAL DESCRIPTION

TRACT M: A PORTION OF THE SOUTHWEST QUARTER OF SECTION 3, TOWNSHIP 14 SOUTH, RANGE 61 WEST OF THE 6TH PRINCIPAL MERIDIAN, SITUATED IN EL PASO COUNTY, STATE OF COLORADO, DESCRIBED AS FOLLOWS: COMMENCING AT THE SOUTHWEST CORNER OF SAID SECTION 3; THENCE N89°07'57"E COINCIDENT WITH THE SOUTH LINE OF SAID SECTION 3, A DISTANCE OF 774.30 FEET TO THE POINT OF BEGINNING; THENCE N01°00'29"W, A DISTANCE OF 466.68 FEET; THENCE N89°07'57"E, A DISTANCE OF 466.70 FEET; THENCE S01°00'29"E, A DISTANCE OF 466.68 FEET TO THE SOUTH LINE OF SAID SECTION 3; THENCE S89°07'57"W COINCIDENT WITH SAID SOUTH LINE OF SECTION 3, A DISTANCE OF 466.70 FEET TO THE POINT OF BEGINNING, CONTAINING A CALCULATED AREA OF 5.000 ACRES MORE OR LESS.

AREA

TOTAL AREA TO BE CLEARED, EXCAVATED, GRADED OR DISTURBED IS 4.64 ACRES.

VOLUME

TOTAL SOIL TO BE MOVED W/ 20% COMPACTION, CUT=201 CY, FILL=8,118, NET=7,918 (F)

STATEMENTS

DESIGN ENGINEER'S STATEMENT:

THESE GRADING AND EROSION CONTROL PLAN WAS PREPARED UNDER MY DIRECTION AND SUPERVISION AND IS CORRECT TO THE BEST OF MY KNOWLEDGE AND BELIEF. SAID PLAN HAS BEEN PREPARED ACCORDING TO THE CRITERIA ESTABLISHED BY THE COUNTY FOR GRADING AND EROSION CONTROL PLANS. I ACCEPT RESPONSIBILITY FOR ANY LIABILITY CAUSED BY ANY NEGLIGENT ACTS, ERRORS OR OMISSIONS ON MY PART IN PREPARING THIS PLAN.

L DUCETT, P.E. #32339 DATE
FOR AND ON BEHALF OF TERRA NOVA ENGINEERING, INC.

OWNER/DEVELOPERS STATEMENT:

I, THE OWNER/DEVELOPER HAVE READ AND WILL COMPLY WITH ALL OF THE REQUIREMENTS SPECIFIED IN THE REQUIREMENTS OF THE GRADING AND EROSION CONTROL PLAN.

DAVID WALDNER DATE
MOUNTAIN VIEW ELECTRIC ASSOCIATION
11140 E. WOODMAN RD
PEYTON, CO 80831

EL PASO COUNTY:

THIS COUNTY PLAN REVIEW IS PROVIDED ONLY FOR GENERAL CONFORMANCE WITH COUNTY DESIGN CRITERIA. THE COUNTY IS NOT RESPONSIBLE FOR THE ACCURACY AND ADEQUACY OF THE DESIGN, DIMENSIONS, AND/OR ELEVATIONS WHICH SHALL BE CONFIRMED AT THE JOB SITE. THE COUNTY THROUGH THE APPROVAL OF THIS DOCUMENT ASSUMES NO RESPONSIBILITY FOR COMPLETENESS AND/OR ACCURACY OF THIS DOCUMENT. FILED IN ACCORDANCE WITH THE REQUIREMENTS OF THE EL PASO COUNTY LAND DEVELOPMENT CODE, DRAINAGE CRITERIA MANUAL, VOLUMES 1 AND 2, AND ENGINEERING CRITERIA MANUAL AS AMENDED.

JENNIFER IRVINE, P.E. DATE
COUNTY ENGINEER/ECM ADMINISTRATOR

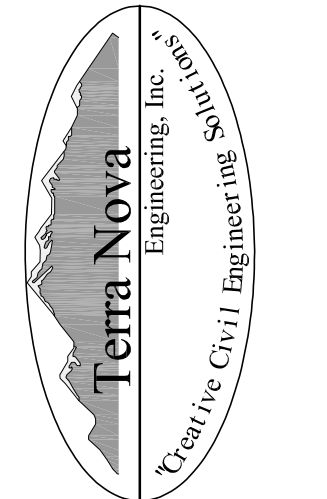
SHEET INDEX

COVER SHEET	1 OF 5
SITE GRADING PLAN	2 OF 5
EROSION CONTROL PLAN	3 OF 5
EROSION CONTROL DETAILS	4 OF 5
EROSION CONTROL DETAILS	5 OF 5

NO.	DESCRIPTION	DATE

UNTIL SUCH TIME AS THESE DRAWINGS ARE APPROVED BY THE ENGINEER, THE REVIEWING AGENTS OF TERRA NOVA ENGINEERING, INC. APPROVES THEIR USE ONLY FOR THE PROJECT AND SITE SPECIFIC AUTHORIZATION.

PREPARED FOR:
MVEA
ATTN: DAVID WALDNER
11140 E. WOODMAN RD
PEYTON, CO 80931
719-495-2283



721 S. 2900 STREET
COLORADO SPRINGS, CO 80904
OFFICE: 719-635-6422
FAK: 719-635-6426
www.tneshc.com

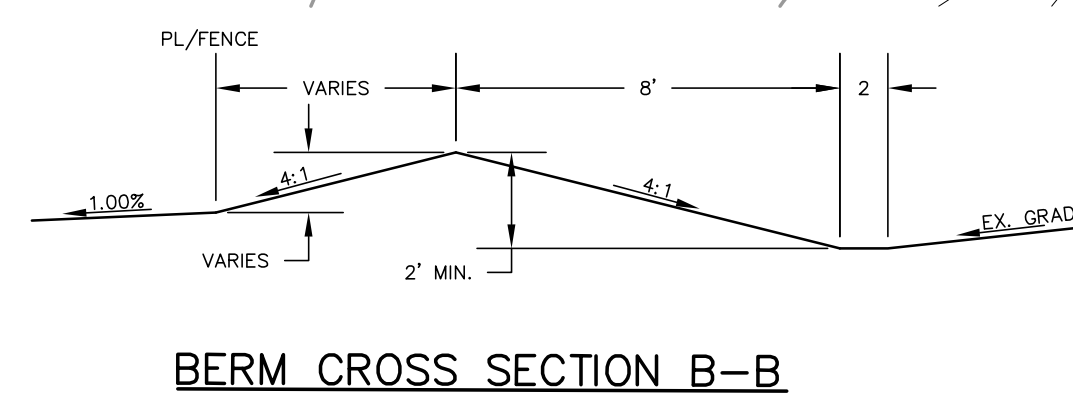
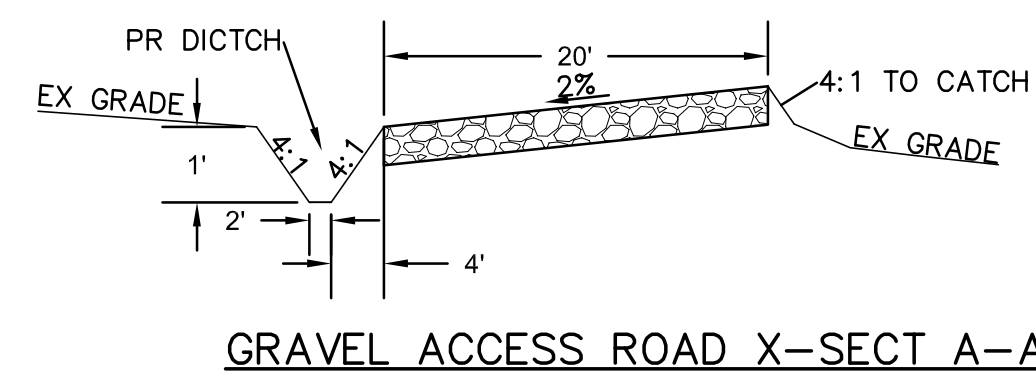
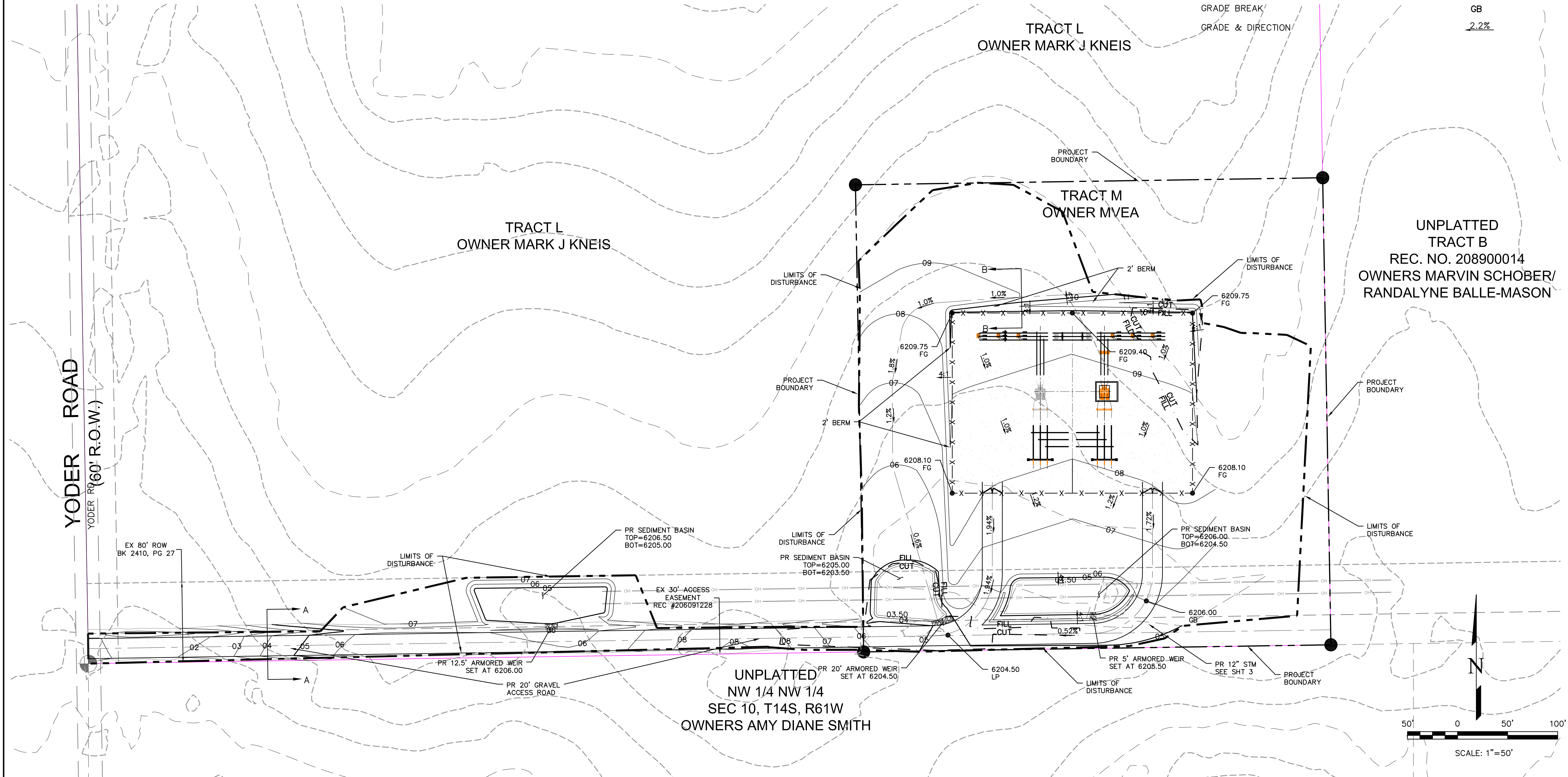
MVEA YODER SUBSTATION

EL PASO COUNTY, COLORADO
GRADING AND EROSION CONTROL PLAN

DESIGNED BY QNA
DRAWN BY QNA
CHECKED BY
H-SCALE NA
V-SCALE NA
JOB NO. 1802.00
DATE ISSUED 9/18/18
SHEET NO. 1 OF 5

GRADING LEGEND

EXISTING CONTOURS - MINOR	---	6130
EXISTING CONTOURS - MAJOR	- - -	6132
PROPOSED CONTOURS - MAJOR	---	6130
PROPOSED CONTOURS - MINOR	- - -	6132
LIMITS OF CONSTRUCTION/DISTURBANCE	---	---
EXISTING FINISHED GROUND	---	EX-FG
PROPOSED FINISHED GROUND	---	FG
PROPOSED FLOWLINE	---	FL
LOW POINT	---	LP
HIGH POINT	---	HP
GRADE BREAK	---	GB
GRADE & DIRECTION	---	2.2%



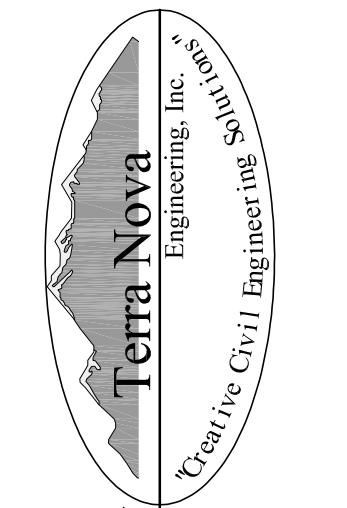
THIS DESIGN WAS PREPARED UNDER MY DIRECT SUPERVISION FOR AND ON BEHALF OF TERRA NOVA ENGINEERING, INC.

L. DUCETT, P.E.
COLORADO P.E. NO. 32339

REVISIONS NO.	DESCRIPTION	DATE

UNTIL SUCH TIME AS THESE DRAWINGS ARE APPROVED BY THE LOCAL JURISDICTION REVIEWING AGENCIES, TERRA NOVA ENGINEERING, INC. APPROVES THEIR USE ONLY FOR THE PROJECT AND COSTS OF REVISIONS AUTHORIZED BY WRITTEN AUTHORIZATION.

PREPARED FOR:
MVEA
ATTN: DAVID WALDNER
11140 E. WOODMAN RD.
PEYTON, CO 80931
719-495-2283



721 S. 2900 STREET
COLORADO SPRINGS, CO 80904
OFFICE: 719-635-6422
FAX: 719-635-6426
www.tnaseinc.com

MVEA YODER SUBSTATION
& SEDIMENT CONTROL PLAN
GRADING PLAN

DESIGNED BY QNA
DRAWN BY QNA
CHECKED BY
H-SCALE 1"=50'
V-SCALE NA
JOB NO. 1802.00
DATE ISSUED 9/18/18
SHEET NO. 2 OF 5

YODER ROAD
(60' R.O.W.)

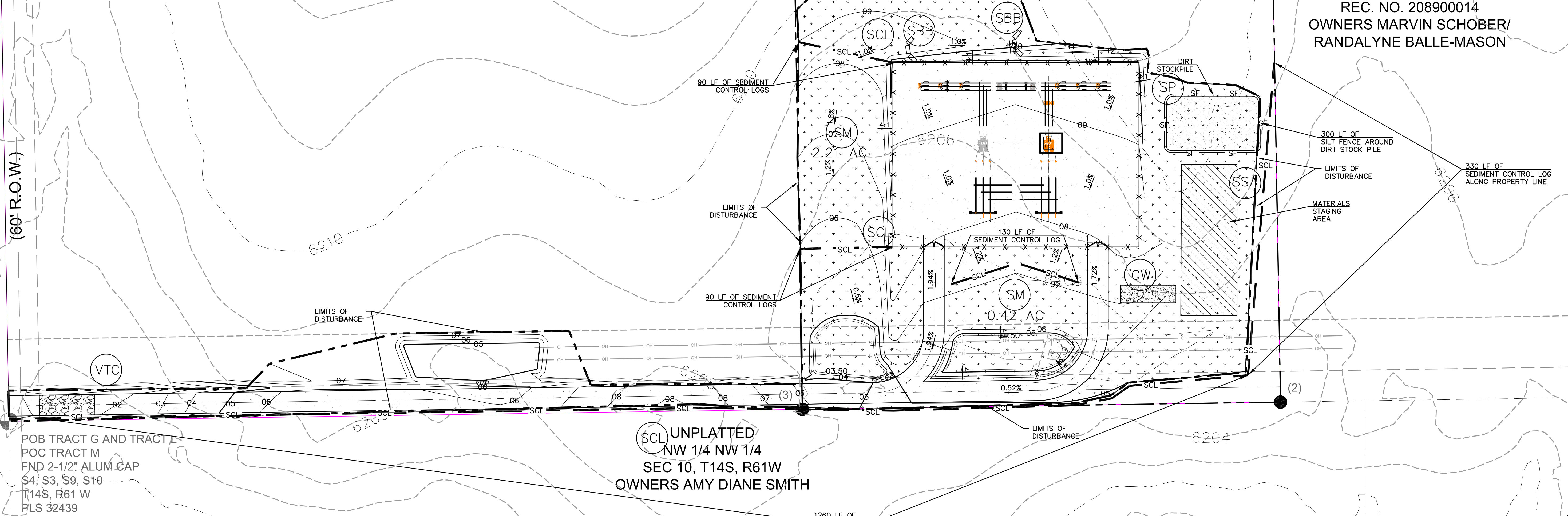
REC. NO. 208900014

TRACT L
OWNER MARK J KNEIS

TRACT L
OWNER MARK J KNEIS

TRACT M
OWNER MVEA

UNPLATTED
TRACT B
REC. NO. 208900014
OWNERS MARVIN SCHOBEL/
RANDALYNE BALLE-MASON



POB TRACT G AND TRACT L
POC TRACT M
FND 2-1/2" ALUM CAP
S4, S3, S9, S10
T14S, R61 W
PLS 32439

UNPLATTED
NW 1/4 NW 1/4
SEC 10, T14S, R61W
OWNERS AMY DIANE SMITH

EROSION CONTROL LEGEND

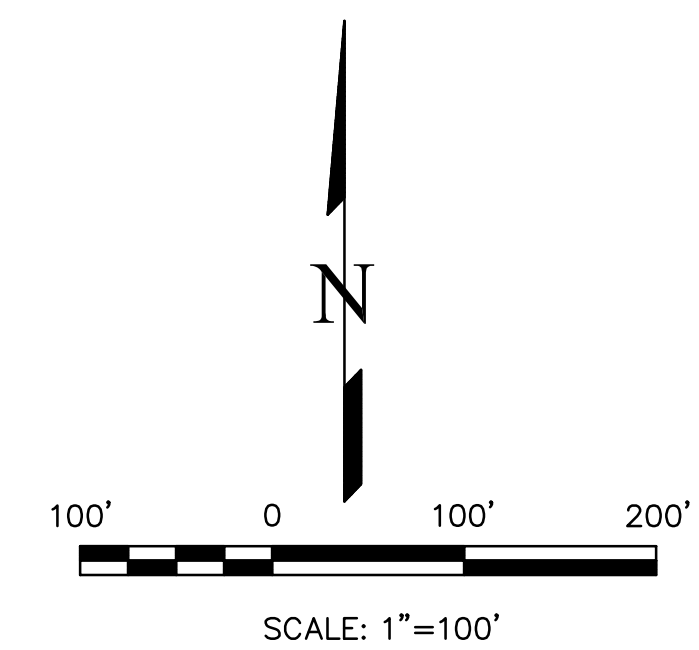
- EL PASO COUNTY ENGINEERING DEPARTMENT GENERAL SPECIFICATIONS SHOULD BE USED AS A RESOURCE WHEN DEVELOPING TECHNICAL SPECIFICATIONS FOR RE-VEGETATION. GENERAL GUIDELINES AND RECOMMENDATIONS FOR RE-VEGETATION INCLUDE:
- SEED MIXTURES SHOULD BE SOWN AT THE PROPER TIME OF YEAR FOR THE MIXTURE. GENERALLY, THERE ARE TWO OPTIMAL SEEDING PERIODS DURING THE YEAR. THE FIRST PERIOD IS IN THE SPRING, MARCH TO MAY. THE SECOND PERIOD IS IN LATE SUMMER TO EARLY FALL, AUGUST TO SEPTEMBER.
 - SEED SHOULD BE DRILL-SEEDED, WHENEVER POSSIBLE.
 - BROADCAST SEEDING OR HYDRO-SEEDED MAY BE SUBSTITUTED ON SLOPES STEEPER THAN 3:1 OR ON OTHER AREAS NOT PRACTICAL TO DRILL SEED.
 - SEEDING RATES SHOULD BE DOUBLED FOR BROADCAST SEEDING OR INCREASED BY 50% IF USING A BRILLION DRILL OR HYDRO-SEEDED.
 - BROADCAST SEED SHOULD BE LIGHTLY HAND-RAKED INTO THE SOIL.
 - SEED DEPTH SHOULD BE 1/2 TO 1/4 INCH FOR MOST MIXTURES.
 - SEEDED AREAS SHOULD BE MULCHED, AND THE MULCH SHOULD BE ADEQUATELY SECURED.
 - IF HYDRO-SEEDED IS CONDUCTED, MULCHING SHOULD BE CONDUCTED AS A SEPARATE, SECOND OPERATION.
 - CONTAINERIZED NURSERY STOCK SHOULD BE KEPT IN A LIVE AND HEALTHY CONDITION PRIOR TO INSTALLATION.
 - CONTAINERIZED TREES AND SHRUBS SHOULD BE INSTALLED ACCORDING TO THE PLANTING DETAILS PROVIDE IN THE COLORADO SPRINGS LANDSCAPE CODE AND POLICY MANUAL, UNIT FOUR, APPENDICES FOR TREE AND SHRUB PLANTING DETAILS.
 - LIVE STAKES, POLES AND WILLOW BUNDLES SHOULD BE INSTALLED WHEN DORMANT (LATE WINTER AND EARLY SPRING).
 - IF BEAVER ARE KNOWN TO BE IN THE AREA, BEAVER PROTECTION SHOULD BE PROVIDED FOR TREES AND SHRUBS.

EROSION CONTROL LEGEND

KEY	TITLE	SYMBOL
(SCL)	SEDIMENT CONTROL LOGS	- - - SCL - - -
(VTC)	VEHICLE TRACKING CONTROL	[Pattern]
(CW)	CONCRETE WASHOUT	[Pattern]
(SM)	SEEDING & MULCHING	[Pattern]
(SP)	STOCK PILE AREA	[Pattern]
(SSA)	CONSTRUCTION STAGING AREA	[Pattern]
(SBB)	STRAW BALE BARRIER	[Symbol]
(SF)	SILT FENCE	- - - SF - - -

GRADING LEGEND

EXISTING CONTOURS - MINOR	6130
EXISTING CONTOURS - MAJOR	6132
PROPOSED CONTOURS - MAJOR	6130
PROPOSED CONTOURS - MAJOR	6132
LIMITS OF CONSTRUCTION/DISTURBANCE	[Symbol]



THIS DESIGN WAS PREPARED UNDER MY DIRECT SUPERVISION FOR AND ON BEHALF OF TERRA NOVA ENGINEERING, INC.

L. DUCETT, P.E.
COLORADO P.E. NO. 32339

REVISIONS	NO.	DESCRIPTION	DATE

UNTIL SUCH TIME AS THESE DRAWINGS ARE APPROVED BY THE REVIEWING AGENCIES, TERRA NOVA ENGINEERING, INC. APPROVES THEIR USE ONLY FOR THE PROJECT AND FOR THE COST OF CORRECTION BY WRITTEN AUTHORIZATION.

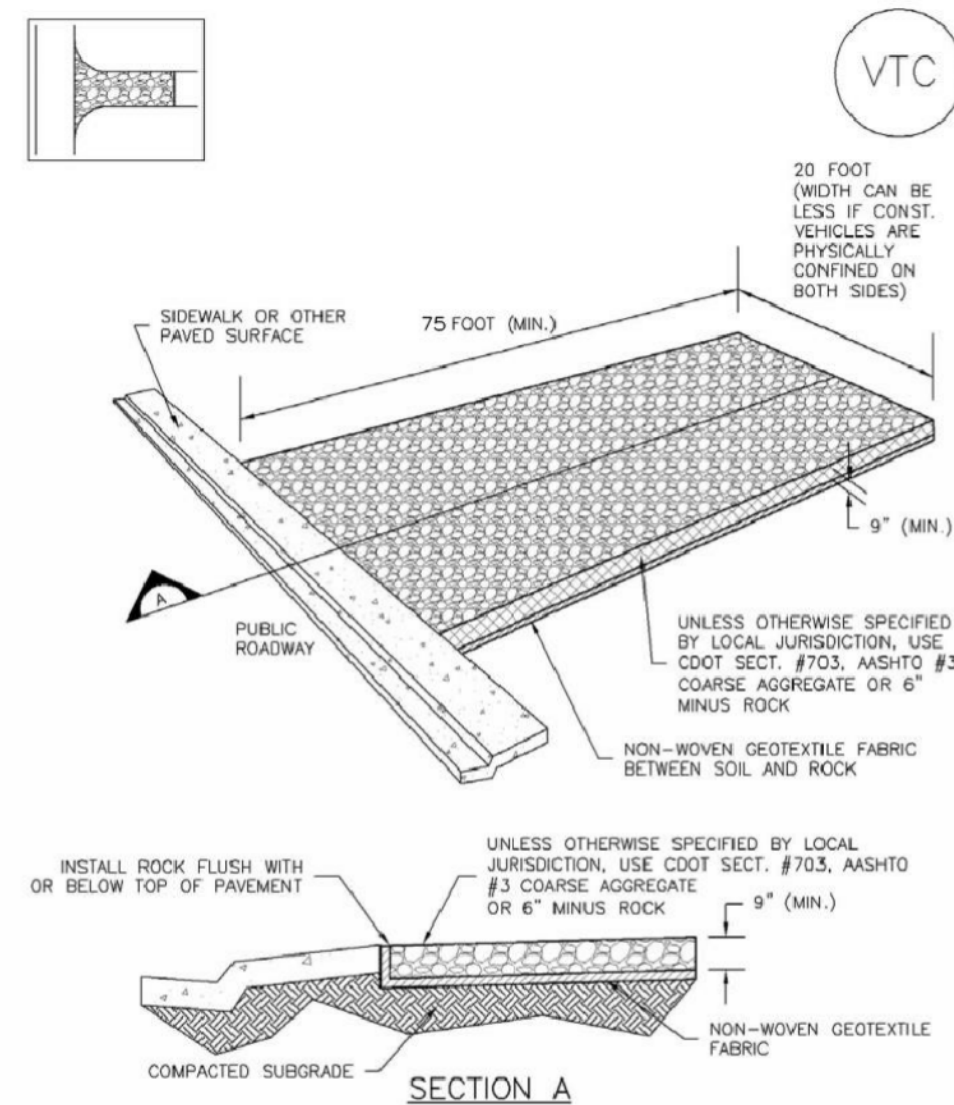
PREPARED FOR:
MVEA
ATTN: LES ULFERS
11140 E. WOODMAN RD.
PEYTON, CO 80831
719-495-2283

721 S. 2900 STREET
COLORADO SPRINGS, CO 80904
OFFICE: 719-635-6422
FAX: 719-635-6426
www.tnaseinc.com

MVEA YODER SUBSTATION
GRADING, EROSION AND SEDIMENT CONTROL PLAN
EROSION CONTROL PLAN

DESIGNED BY QNA
DRAWN BY QNA
CHECKED BY
H-SCALE 1"=20'
V-SCALE NA
JOB NO. 1802.00
DATE ISSUED 9/18/18
SHEET NO. 3 OF 5

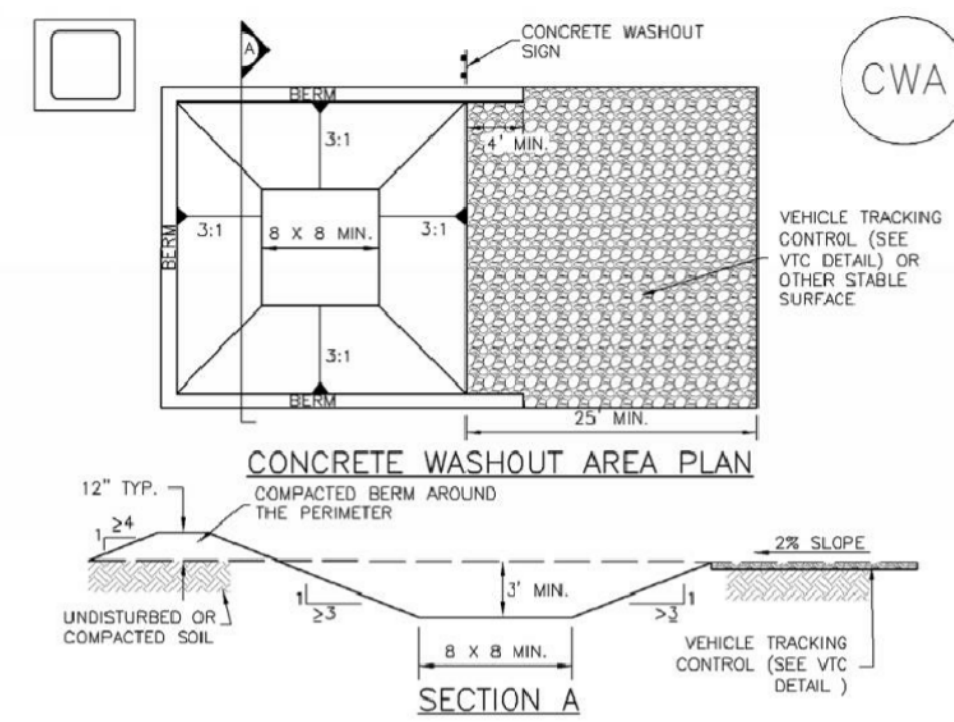
Vehicle Tracking Control (VTC) SM-4



VTC-1. AGGREGATE VEHICLE TRACKING CONTROL

November 2010 Urban Drainage and Flood Control District Urban Storm Drainage Criteria Manual Volume 3 VTC-3

Concrete Washout Area (CWA) MM-1



CWA-1. CONCRETE WASHOUT AREA

November 2010 Urban Drainage and Flood Control District Urban Storm Drainage Criteria Manual Volume 3 CWA-3

MM-1 Concrete Washout Area (CWA)

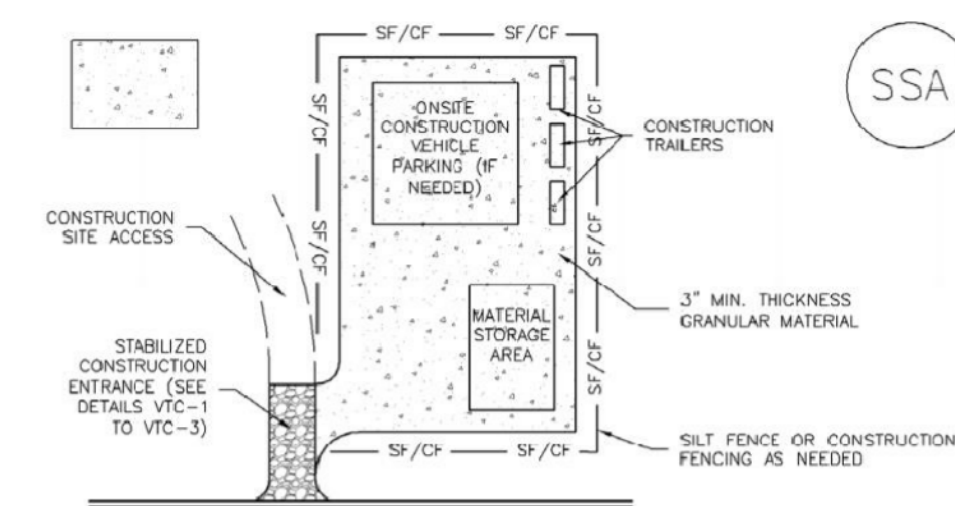
CWA MAINTENANCE NOTES

1. INSPECT BMPs EACH WORKDAY, AND MAINTAIN THEM IN EFFECTIVE OPERATING CONDITION. MAINTENANCE OF BMPs SHOULD BE PROACTIVE, NOT REACTIVE. INSPECT BMPs AS SOON AS POSSIBLE (AND ALWAYS WITHIN 24 HOURS) FOLLOWING A STORM THAT CAUSES SURFACE EROSION, AND PERFORM NECESSARY MAINTENANCE.
2. FREQUENT OBSERVATIONS AND MAINTENANCE ARE NECESSARY TO MAINTAIN BMPs IN EFFECTIVE OPERATING CONDITION. INSPECTIONS AND CORRECTIVE MEASURES SHOULD BE DOCUMENTED THOROUGHLY.
3. WHERE BMPs HAVE FAILED, REPAIR OR REPLACEMENT SHOULD BE INITIATED UPON DISCOVERY OF THE FAILURE.
4. THE CWA SHALL BE REPAIRED, CLEANED, OR ENLARGED AS NECESSARY TO MAINTAIN CAPACITY FOR CONCRETE WASTE. CONCRETE MATERIALS ACCUMULATED IN PIT, SHALL BE REMOVED ONCE THE MATERIALS HAVE REACHED A DEPTH OF 2".
5. CONCRETE WASHOUT WATER, WASTED PIECES OF CONCRETE AND ALL OTHER DEBRIS IN THE SUBSURFACE PIT SHALL BE TRANSPORTED FROM THE JOB SITE IN A WATER-TIGHT CONTAINER AND DISPOSED OF PROPERLY.
6. THE CWA SHALL REMAIN IN PLACE UNTIL ALL CONCRETE FOR THE PROJECT IS PLACED.
7. WHEN THE CWA IS REMOVED, COVER THE DISTURBED AREA WITH TOP SOIL, SEED AND MULCH OR OTHERWISE STABILIZED IN A MANNER APPROVED BY THE LOCAL JURISDICTION. (DETAIL ADAPTED FROM SOULAS COUNTY, COLORADO AND THE CITY OF PARKER, COLORADO, NOT AVAILABLE IN AUTOCAD)

NOTE: MANY JURISDICTIONS HAVE BMP DETAILS THAT VARY FROM UDFCD STANDARD DETAILS. CONSULT WITH LOCAL JURISDICTIONS AS TO WHICH DETAIL SHOULD BE USED WHEN DIFFERENCES ARE NOTED.

CWA-4 Urban Drainage and Flood Control District Urban Storm Drainage Criteria Manual Volume 3 November 2010

Stabilized Staging Area (SSA) SM-6



SSA-1. STABILIZED STAGING AREA

November 2010 Urban Drainage and Flood Control District Urban Storm Drainage Criteria Manual Volume 3 SSA-3

SM-4 Vehicle Tracking Control (VTC)

STABILIZED CONSTRUCTION ENTRANCE/EXIT INSTALLATION NOTES

1. SEE PLAN VIEW FOR:
 - LOCATION OF CONSTRUCTION ENTRANCE(S)/EXIT(S).
 - TYPE OF CONSTRUCTION ENTRANCE(S)/EXIT(S) (WITH/WITHOUT WHEEL WASH, CONSTRUCTION MAT OR TRM).
2. CONSTRUCTION MAT OR TRM STABILIZED CONSTRUCTION ENTRANCES ARE ONLY TO BE USED ON SHORT DURATION PROJECTS (TYPICALLY RANGING FROM A WEEK TO A MONTH) WHERE THERE WILL BE LIMITED VEHICULAR ACCESS.
3. A STABILIZED CONSTRUCTION ENTRANCE/EXIT SHALL BE LOCATED AT ALL ACCESS POINTS WHERE VEHICLES ACCESS THE CONSTRUCTION SITE FROM PAVED, RIGHT-OF-WAYS.
4. STABILIZED CONSTRUCTION ENTRANCE/EXIT SHALL BE INSTALLED PRIOR TO ANY LAND DISTURBING ACTIVITIES.
5. A NON-WOVEN GEOTEXTILE FABRIC SHALL BE PLACED UNDER THE STABILIZED CONSTRUCTION ENTRANCE/EXIT PRIOR TO THE PLACEMENT OF ROCK.
6. UNLESS OTHERWISE SPECIFIED BY LOCAL JURISDICTION, ROCK SHALL CONSIST OF DOT SECT. #703, AASHTO #3 COARSE AGGREGATE OR 6" MINUS ROCK.

STABILIZED CONSTRUCTION ENTRANCE/EXIT MAINTENANCE NOTES

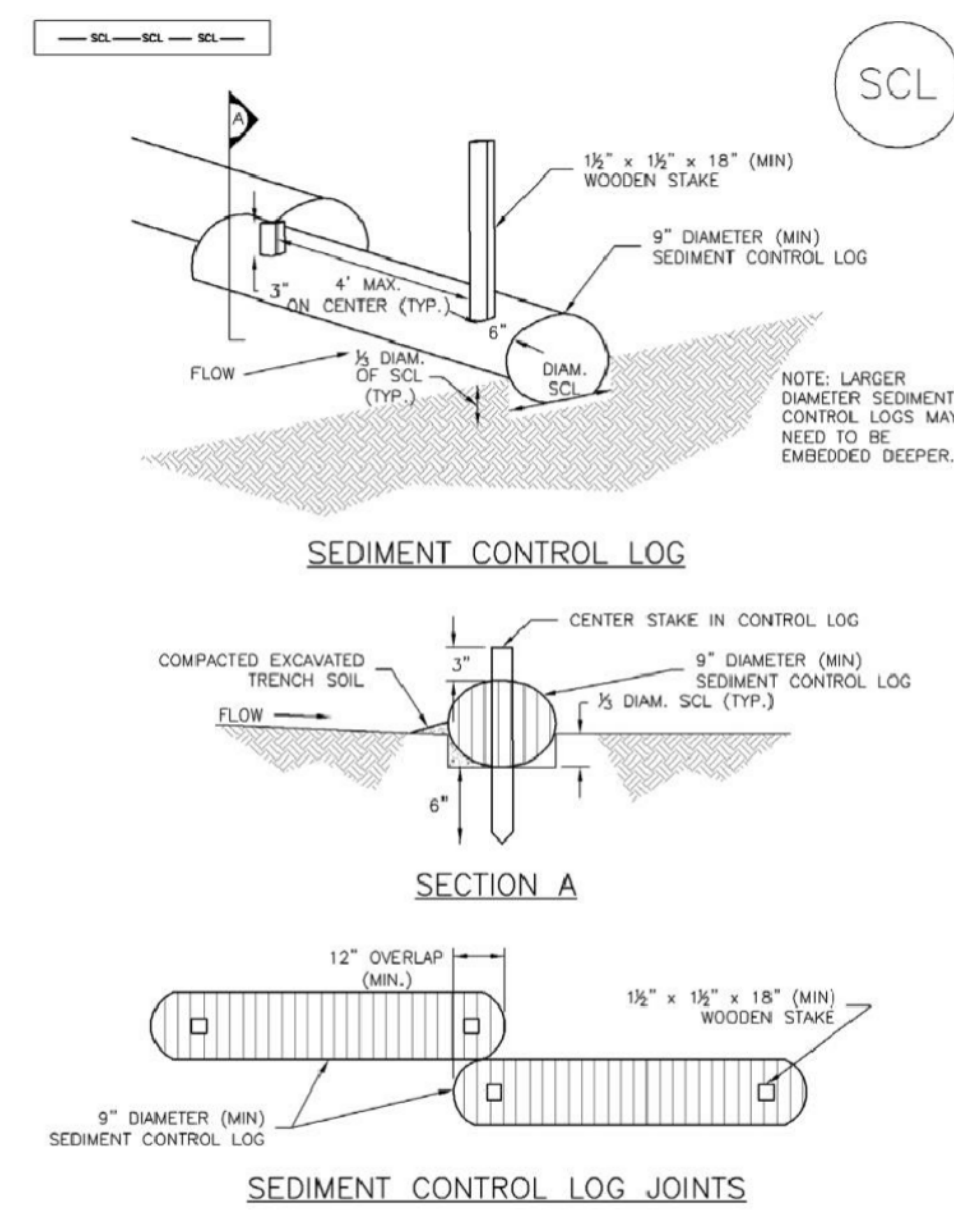
1. INSPECT BMPs EACH WORKDAY, AND MAINTAIN THEM IN EFFECTIVE OPERATING CONDITION. MAINTENANCE OF BMPs SHOULD BE PROACTIVE, NOT REACTIVE. INSPECT BMPs AS SOON AS POSSIBLE (AND ALWAYS WITHIN 24 HOURS) FOLLOWING A STORM THAT CAUSES SURFACE EROSION, AND PERFORM NECESSARY MAINTENANCE.
2. FREQUENT OBSERVATIONS AND MAINTENANCE ARE NECESSARY TO MAINTAIN BMPs IN EFFECTIVE OPERATING CONDITION. INSPECTIONS AND CORRECTIVE MEASURES SHOULD BE DOCUMENTED THOROUGHLY.
3. WHERE BMPs HAVE FAILED, REPAIR OR REPLACEMENT SHOULD BE INITIATED UPON DISCOVERY OF THE FAILURE.
4. ROCK SHALL BE REAPPLIED OR REGRADED AS NECESSARY TO THE STABILIZED ENTRANCE/EXIT TO MAINTAIN A CONSISTENT DEPTH.
5. SEDIMENT TRACKED ONTO PAVED ROADS IS TO BE REMOVED THROUGHOUT THE DAY AND AT THE END OF THE DAY BY SHOVELING OR SKIDING. SEDIMENT MAY NOT BE WASHED DOWN STORM SEWER DRAINS.

NOTE: MANY JURISDICTIONS HAVE BMP DETAILS THAT VARY FROM UDFCD STANDARD DETAILS. CONSULT WITH LOCAL JURISDICTIONS AS TO WHICH DETAIL SHOULD BE USED WHEN DIFFERENCES ARE NOTED.

(DETAILS ADAPTED FROM CITY OF BROOKFIELD, COLORADO, NOT AVAILABLE IN AUTOCAD)

VTC-6 Urban Drainage and Flood Control District Urban Storm Drainage Criteria Manual Volume 3 November 2010

Sediment Control Log (SCL) SC-2



SCL-1. SEDIMENT CONTROL LOG

November 2010 Urban Drainage and Flood Control District Urban Storm Drainage Criteria Manual Volume 3 SCL-3

SC-2 Sediment Control Log (SCL)

SEDIMENT CONTROL LOG INSTALLATION NOTES

1. SEE PLAN VIEW FOR LOCATION AND LENGTH OF SEDIMENT CONTROL LOGS.
2. SEDIMENT CONTROL LOGS THAT ACT AS A PERIMETER CONTROL SHALL BE INSTALLED PRIOR TO ANY UPWARD LAND-DISTURBING ACTIVITIES.
3. SEDIMENT CONTROL LOGS SHALL CONSIST OF STRAW, COMPOST, EXCELISOR OR COCONUT FIBER, AND SHALL BE FREE OF ANY NOXIOUS WEED SEEDS OR DEFECTS INCLUDING RIPS, HOLES AND OBVIOUS WEAR.
4. SEDIMENT CONTROL LOGS MAY BE USED AS SMALL CHECK DAMS IN DITCHES AND SWALES. HOWEVER, THEY SHOULD NOT BE USED IN PERENNIAL STREAMS OR HIGH VELOCITY DRAINAGE WAYS.
5. IT IS RECOMMENDED THAT SEDIMENT CONTROL LOGS BE TRENCHED INTO THE GROUND TO A DEPTH OF APPROXIMATELY 1/3 OF THE DIAMETER OF THE LOG. IF TRENCHING TO THIS DEPTH IS NOT FEASIBLE AND/OR DESIRABLE (SHORT TERM INSTALLATION WITH DESIRE NOT TO DAMAGE LANDSCAPE) A LESSER TRENCHING DEPTH MAY BE ACCEPTABLE WITH MORE ROBUST STAKING.
6. THE UP-HILL SIDE OF THE SEDIMENT CONTROL LOG SHALL BE BACKFILLED WITH SOIL THAT IS FREE OF ROCKS AND DEBRIS. THE SOIL SHALL BE THOROUGHLY COMPACTED INTO THE SHAPE OF A RIGHT TRIANGLE USING A SHOVEL OR WEIGHTED LAWN ROLLER.
7. FOLLOW MANUFACTURERS' GUIDANCE FOR STAKING. IF MANUFACTURERS' INSTRUCTIONS DO NOT SPECIFY SPACING, STAKES SHALL BE PLACED ON 4' CENTERS AND EMBEDDED A MINIMUM OF 6" INTO THE GROUND. 3" OF THE STAKE SHALL PROTRUDE FROM THE TOP OF THE LOG. STAKES THAT ARE BROKEN PRIOR TO INSTALLATION SHALL BE REPLACED.

SEDIMENT CONTROL LOG MAINTENANCE NOTES

1. INSPECT BMPs EACH WORKDAY, AND MAINTAIN THEM IN EFFECTIVE OPERATING CONDITION. MAINTENANCE OF BMPs SHOULD BE PROACTIVE, NOT REACTIVE. INSPECT BMPs AS SOON AS POSSIBLE (AND ALWAYS WITHIN 24 HOURS) FOLLOWING A STORM THAT CAUSES SURFACE EROSION, AND PERFORM NECESSARY MAINTENANCE.
2. FREQUENT OBSERVATIONS AND MAINTENANCE ARE NECESSARY TO MAINTAIN BMPs IN EFFECTIVE OPERATING CONDITION. INSPECTIONS AND CORRECTIVE MEASURES SHOULD BE DOCUMENTED THOROUGHLY.
3. WHERE BMPs HAVE FAILED, REPAIR OR REPLACEMENT SHOULD BE INITIATED UPON DISCOVERY OF THE FAILURE.
4. SEDIMENT ACCUMULATED UPSTREAM OF SEDIMENT CONTROL LOG SHALL BE REMOVED AS NEEDED TO MAINTAIN FUNCTIONALITY OF THE BMP. TYPICALLY WHEN DEPTH OF ACCUMULATED SEDIMENTS IS APPROXIMATELY 1/3 OF THE HEIGHT OF THE SEDIMENT CONTROL LOG.
5. SEDIMENT CONTROL LOG SHALL BE REMOVED AT THE END OF CONSTRUCTION, IF DISTURBED AREAS EXIST AFTER REMOVAL, THEY SHALL BE COVERED WITH TOP SOIL, SEED AND MULCH OR OTHERWISE STABILIZED IN A MANNER APPROVED BY THE LOCAL JURISDICTION.

(DETAILS ADAPTED FROM TOWN OF PARKER, COLORADO, JEFFERSON COUNTY, COLORADO, SOULAS COUNTY, COLORADO, AND CITY OF AURORA, COLORADO, NOT AVAILABLE IN AUTOCAD)

NOTE: MANY JURISDICTIONS HAVE BMP DETAILS THAT VARY FROM UDFCD STANDARD DETAILS. CONSULT WITH LOCAL JURISDICTIONS AS TO WHICH DETAIL SHOULD BE USED WHEN DIFFERENCES ARE NOTED.

November 2010 Urban Drainage and Flood Control District Urban Storm Drainage Criteria Manual Volume 3 SCL-5

SM-6 Stabilized Staging Area (SSA)

STABILIZED STAGING AREA MAINTENANCE NOTES

1. SEE PLAN VIEW FOR:
 - LOCATION OF STAGING AREA(S).
 - CONTRACTOR MAY ADJUST LOCATION AND SIZE OF STAGING AREA WITH APPROVAL FROM THE LOCAL JURISDICTION.
2. STABILIZED STAGING AREA SHOULD BE APPROPRIATE FOR THE NEEDS OF THE SITE. OVERSIZING RESULTS IN A LARGER AREA TO STABILIZE FOLLOWING CONSTRUCTION.
3. STAGING AREA SHALL BE STABILIZED PRIOR TO OTHER OPERATIONS ON THE SITE.
4. THE STABILIZED STAGING AREA SHALL CONSIST OF A MINIMUM 3" THICK GRANULAR MATERIAL.
5. UNLESS OTHERWISE SPECIFIED BY LOCAL JURISDICTION, ROCK SHALL CONSIST OF DOT SECT. #703, AASHTO #3 COARSE AGGREGATE OR 6" (MINUS) ROCK.
6. ADDITIONAL PERIMETER BMPs MAY BE REQUIRED INCLUDING BUT NOT LIMITED TO SILT FENCE AND CONSTRUCTION FENCING.

STABILIZED STAGING AREA MAINTENANCE NOTES

1. INSPECT BMPs EACH WORKDAY, AND MAINTAIN THEM IN EFFECTIVE OPERATING CONDITION. MAINTENANCE OF BMPs SHOULD BE PROACTIVE, NOT REACTIVE. INSPECT BMPs AS SOON AS POSSIBLE (AND ALWAYS WITHIN 24 HOURS) FOLLOWING A STORM THAT CAUSES SURFACE EROSION, AND PERFORM NECESSARY MAINTENANCE.
2. FREQUENT OBSERVATIONS AND MAINTENANCE ARE NECESSARY TO MAINTAIN BMPs IN EFFECTIVE OPERATING CONDITION. INSPECTIONS AND CORRECTIVE MEASURES SHOULD BE DOCUMENTED THOROUGHLY.
3. WHERE BMPs HAVE FAILED, REPAIR OR REPLACEMENT SHOULD BE INITIATED UPON DISCOVERY OF THE FAILURE.
4. ROCK SHALL BE REAPPLIED OR REGRADED AS NECESSARY IF RUTTING OCCURS OR UNDERLYING SUBGRADE BECOMES EXPOSED.

(DETAILS ADAPTED FROM SOULAS COUNTY, COLORADO, NOT AVAILABLE IN AUTOCAD)

SSA-4 Urban Drainage and Flood Control District Urban Storm Drainage Criteria Manual Volume 3 November 2010

THIS DESIGN WAS PREPARED UNDER MY DIRECT SUPERVISION FOR AND ON BEHALF OF TERRA NOVA ENGINEERING, INC.

L. DUCETT, P.E.
COLORADO P.E. NO. 32339

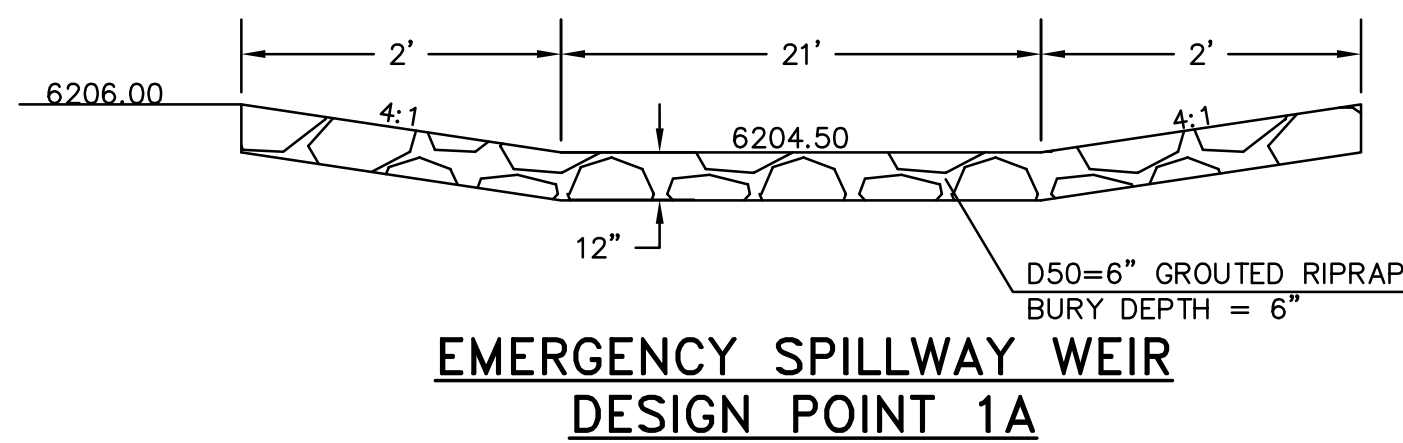
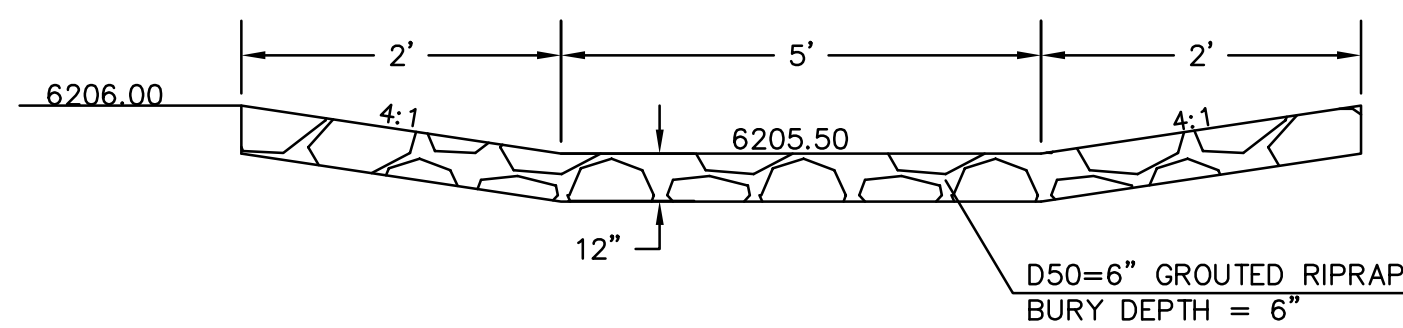
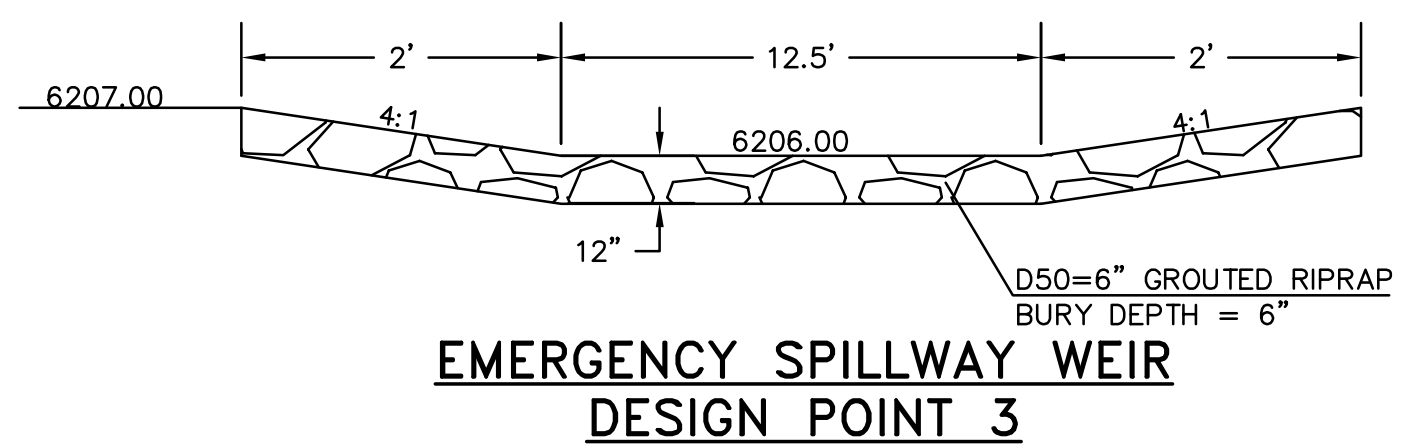
REVISIONS	NO.	DESCRIPTION	DATE
UNTIL SUCH TIME AS THESE DRAWINGS ARE APPROVED BY THE REVIEWING AGENCY: TERRA NOVA ENGINEERING, INC. APPROVES THEIR USE ONLY FOR THE PROJECT AND PURPOSES AUTHORIZED BY WRITTEN AUTHORIZATION.			

PREPARED FOR:
MVEA
ATTN: DAVID WALDNER
11140 E. WOODMAN RD.
PEYTON, CO 80831
719-495-2283

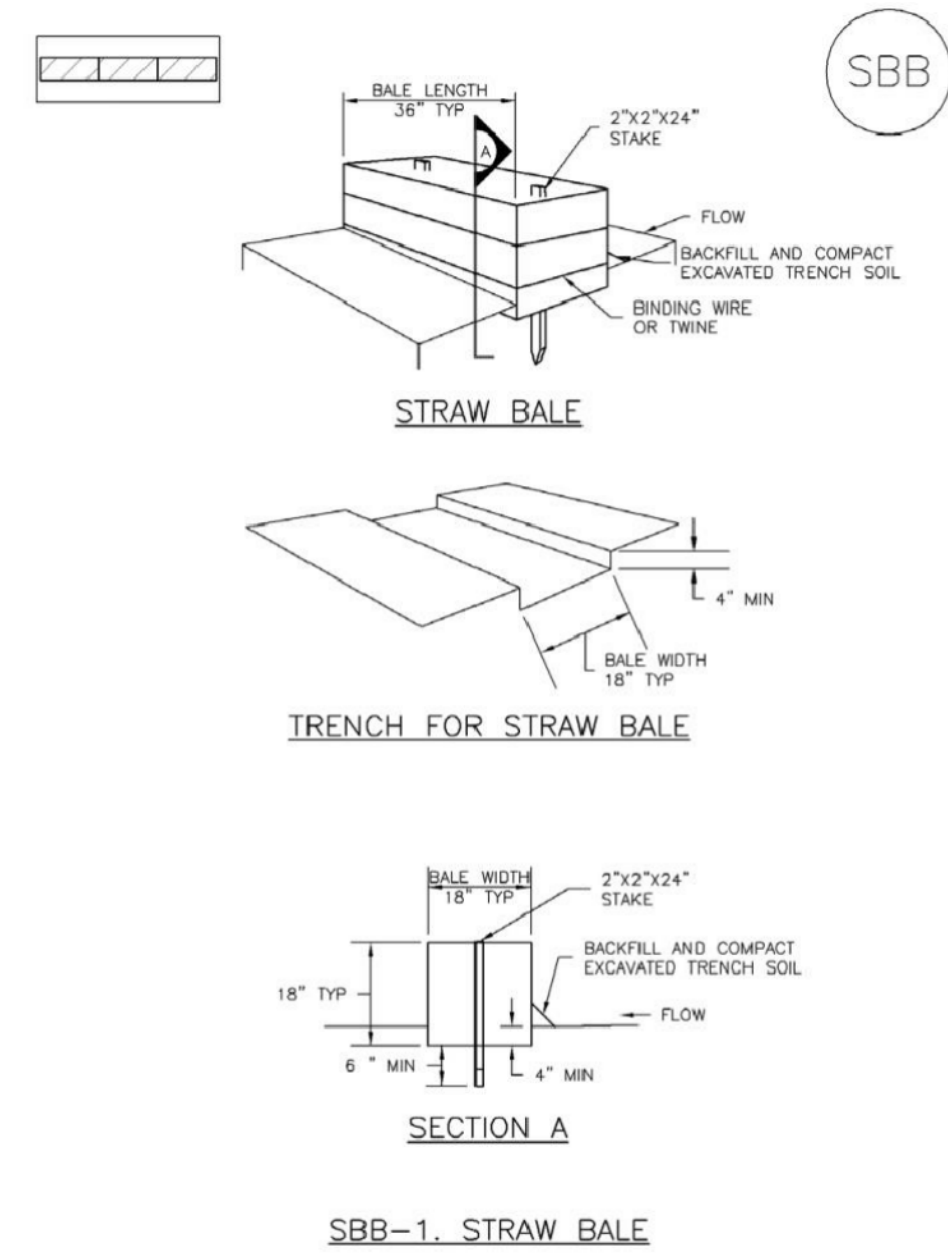
721 S. 29th STREET
COLORADO SPRINGS, CO 80904
OFFICE: 719-635-6422
FAX: 719-635-6426
www.tnnae.com

MVEA YODER SUBSTATION
GRADING, EROSION & SEDIMENT CONTROL PLAN
EROSION CONTROL DETAILS

DESIGNED BY QNA
DRAWN BY QNA
CHECKED BY
H-SCALE NA
V-SCALE NA
JOB NO. 1802.00
DATE ISSUED 9/18/18
SHEET NO. 4 OF 5



SC-3 Straw Bale Barrier (SBB)



SBB-2 Urban Drainage and Flood Control District
Urban Storm Drainage Criteria Manual Volume 3 November 2010

MM-2 Stockpile Management (SM)

STOCKPILE PROTECTION MAINTENANCE NOTES

1. INSPECT BMPs EACH WORKDAY, AND MAINTAIN THEM IN EFFECTIVE OPERATING CONDITION. MAINTENANCE OF BMPs SHOULD BE PROACTIVE, NOT REACTIVE. INSPECT BMPs AS SOON AS POSSIBLE (AND ALWAYS WITHIN 24 HOURS) FOLLOWING A STORM THAT CAUSES SURFACE EROSION, AND PERFORM NECESSARY MAINTENANCE.
2. FREQUENT OBSERVATIONS AND MAINTENANCE ARE NECESSARY TO MAINTAIN BMPs IN EFFECTIVE OPERATING CONDITION. INSPECTIONS AND CORRECTIVE MEASURES SHOULD BE DOCUMENTED THOROUGHLY.
3. WHERE BMPs HAVE FAILED, REPAIR OR REPLACEMENT SHOULD BE INITIATED UPON DISCOVERY OF THE FAILURE.

STOCKPILE PROTECTION MAINTENANCE NOTES

4. IF PERIMETER PROTECTION MUST BE MOVED TO ACCESS SOIL STOCKPILE, REPLACE PERIMETER CONTROLS BY THE END OF THE WORKDAY.
5. STOCKPILE PERIMETER CONTROLS CAN BE REMOVED ONCE ALL THE MATERIAL FROM THE STOCKPILE HAS BEEN USED.

(DETAILS ADAPTED FROM PARKER, COLORADO, NOT AVAILABLE IN AUTOCAD)
NOTE: MANY JURISDICTIONS HAVE BMP DETAILS THAT VARY FROM UDFCD STANDARD DETAILS. CONSULT WITH LOCAL JURISDICTIONS AS TO WHICH DETAIL SHOULD BE USED WHEN DIFFERENCES ARE NOTED.

SP-4 Urban Drainage and Flood Control District
Urban Storm Drainage Criteria Manual Volume 3 November 2010

Chapter 14 Revegetation

or irrigation to wet and settle the seed bed. Firming of the seedbed following seeding will improve results during dry or warm seeding times.

Table 14-9. Recommended Seed Mix for High Water Table Conditions¹

Common Name (Variety)	Scientific Name	Growth Season	Growth Form	Seeds/Lb	Lbs PLS/Acre Drilled	Lbs PLS/Acre Broadcast or Hydroseeded
Redtop ²	<i>Agrostis alba</i>	Warm	Sod	5,000,000	0.1	0.2
Switchgrass (Pathfinder)	<i>Panicum virgatum</i>	Warm	Sod/ Bunch	389,000	2.2	4.4
Western wheatgrass (Arriba)	<i>Pascopyrum smithii</i>	Cool	Sod	110,000	7.9	15.8
Indian saltgrass	<i>Distichlis spicata</i>	Warm	Sod	520,000	1.0	2.0
Woolly sedge	<i>Carex lasiocarpa</i>	Cool	Sod	400,000	0.1	0.2
Baltic rush	<i>Juncus balticus</i>	Cool	Sod	109,300,000	0.1	0.2
Prairie cordgrass	<i>Spartina pectinata</i>	Cool	Sod	110,000	1.0	2.0
Annual rye	<i>Lolium multiflorum</i>	Cool	Cover crop	227,000	10.0	20.0
				TOTAL	22.4	44.8
Wildflowers						
Nuttall's sunflower	<i>Helianthus nuttallii</i>	---	---	250,000	0.10	0.20
Wild bergamot	<i>Monarda fistulosa</i>	---	---	1,450,000	0.12	0.24
Yarrow	<i>Achillea millefolium</i>	---	---	2,770,000	0.06	0.12
Blue vervain	<i>Verbena hastata</i>	---	---		0.12	0.24
				TOTAL	0.40	0.80

¹For portions of facilities located near or on the bottom or where wet soil conditions occur. Planting of potted nursery stock without plants 26x60x60 is recommended for sites with wetland hydrology.
²Non-native

May 2014 City of Colorado Springs
Drainage Criteria Manual, Volume 1 14-21

Straw Bale Barrier (SBB) SC-3

STRAW BALE INSTALLATION NOTES

1. SEE PLAN VIEW FOR:
 - LOCATION(S) OF STRAW BALES.
2. STRAW BALES SHALL CONSIST OF CERTIFIED WOOD FREE STRAW OR HAY. LOCAL JURISDICTIONS MAY REQUIRE PROOF THAT BALES ARE WOOD FREE.
3. STRAW BALES SHALL CONSIST OF APPROXIMATELY 5 CUBIC FEET OF STRAW OR HAY AND WEIGH NOT LESS THAN 35 POUNDS.
4. WHEN STRAW BALES ARE USED IN SERIES AS A BARRIER, THE END OF EACH BALE SHALL BE TIGHTLY ABUTTING ONE ANOTHER.
5. STRAW BALE DIMENSIONS SHALL BE APPROXIMATELY 36"x18"x18".
6. A UNIFORM ANCHOR TRENCH SHALL BE EXCAVATED TO A DEPTH OF 4". STRAW BALES SHALL BE PLACED SO THAT BINDING TWINE IS ENCOMPASSING THE VERTICAL SIDES OF THE BALES. ALL EXCAVATED SOIL SHALL BE PLACED ON THE UPHILL SIDE OF THE STRAW BALES AND COMPACTED.
7. TWO (2) WOODEN STAKES SHALL BE USED TO HOLD EACH BALE IN PLACE. WOODEN STAKES SHALL BE 2"x2"x24". WOODEN STAKES SHALL BE DRIVEN 6" INTO THE GROUND.

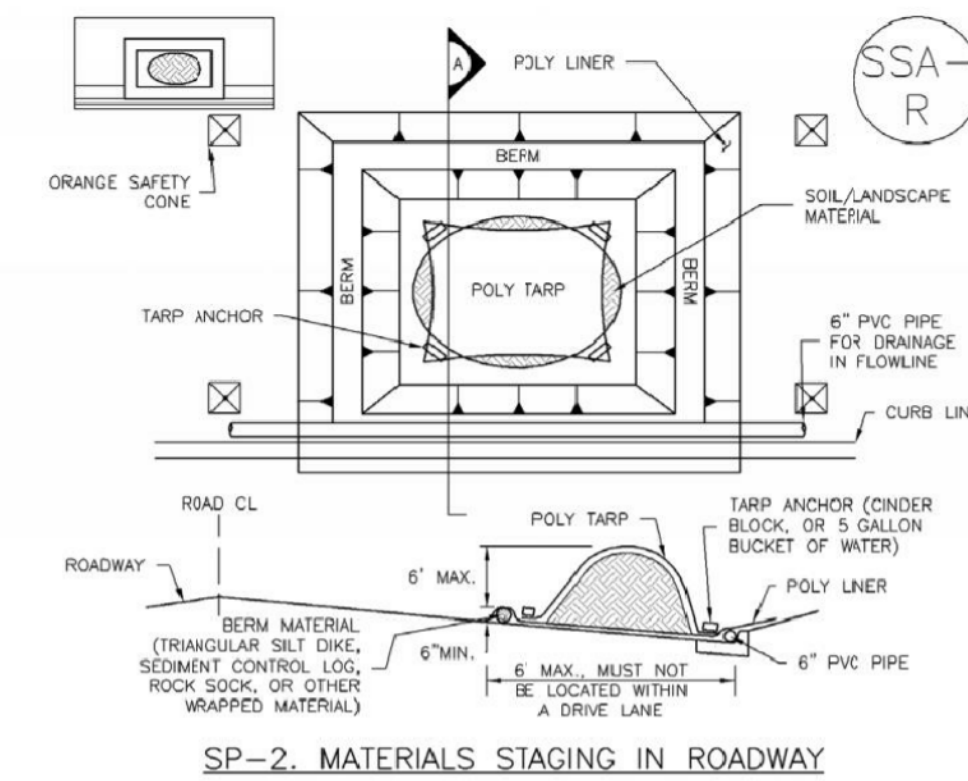
STRAW BALE MAINTENANCE NOTES

1. INSPECT BMPs EACH WORKDAY, AND MAINTAIN THEM IN EFFECTIVE OPERATING CONDITION. MAINTENANCE OF BMPs SHOULD BE PROACTIVE, NOT REACTIVE. INSPECT BMPs AS SOON AS POSSIBLE (AND ALWAYS WITHIN 24 HOURS) FOLLOWING A STORM THAT CAUSES SURFACE EROSION, AND PERFORM NECESSARY MAINTENANCE.
2. FREQUENT OBSERVATIONS AND MAINTENANCE ARE NECESSARY TO MAINTAIN BMPs IN EFFECTIVE OPERATING CONDITION. INSPECTIONS AND CORRECTIVE MEASURES SHOULD BE DOCUMENTED THOROUGHLY.
3. WHERE BMPs HAVE FAILED, REPAIR OR REPLACEMENT SHOULD BE INITIATED UPON DISCOVERY OF THE FAILURE.
4. STRAW BALES SHALL BE REPLACED IF THEY BECOME HEAVILY SOILED, ROTTEN, OR DAMAGED BEYOND REPAIR.
5. SEDIMENT ACCUMULATED UPSTREAM OF STRAW BALE BARRIER SHALL BE REMOVED AS NEEDED TO MAINTAIN FUNCTIONALITY OF THE BMP. TYPICALLY WHEN DEPTH OF ACCUMULATED SEDIMENTS IS APPROXIMATELY 1/4 OF THE HEIGHT OF THE STRAW BALE BARRIER.
6. STRAW BALES ARE TO REMAIN IN PLACE UNTIL THE UPSTREAM DISTURBED AREA IS STABILIZED AND APPROVED BY THE LOCAL JURISDICTION.
7. WHEN STRAW BALES ARE REMOVED, ALL DISTURBED AREAS SHALL BE COVERED WITH TOPSOIL, SEEDING AND MULCHED OR OTHERWISE STABILIZED AS APPROVED BY LOCAL JURISDICTION.

(DETAILS ADAPTED FROM TOWN OF PARKER, COLORADO, NOT AVAILABLE IN AUTOCAD)
NOTE: MANY JURISDICTIONS HAVE BMP DETAILS THAT VARY FROM UDFCD STANDARD DETAILS. CONSULT WITH LOCAL JURISDICTIONS AS TO WHICH DETAIL SHOULD BE USED WHEN DIFFERENCES ARE NOTED.

November 2010 Urban Drainage and Flood Control District
Urban Storm Drainage Criteria Manual Volume 3 SBB-3

Stockpile Management (SP) MM-2



MATERIALS STAGING IN ROADWAYS INSTALLATION NOTES

1. SEE PLAN VIEW FOR:
 - LOCATION OF MATERIAL STAGING AREA(S).
 - CONTRACTOR MAY ADJUST LOCATION AND SIZE OF STAGING AREA WITH APPROVAL FROM THE LOCAL JURISDICTION.
2. FEATURE MUST BE INSTALLED PRIOR TO EXCAVATION, EARTHWORK OR DELIVERY OF MATERIALS.
3. MATERIALS MUST BE STATIONED ON THE POLY LINER. ANY INCIDENTAL MATERIALS DEPOSITED ON PAVED SECTION OR ALONG CURB LINE MUST BE CLEANED UP PROMPTLY.
4. POLY LINER AND TARP COVER SHOULD BE OF SIGNIFICANT THICKNESS TO PREVENT DAMAGE OR LOSS OF INTEGRITY.
5. SAND BAGS MAY BE SUBSTITUTED TO ANCHOR THE COVER TARP OR PROVIDE BERMING UNDER THE BASE LINER.
6. FEATURE IS NOT INTENDED FOR USE WITH WET MATERIAL THAT WILL BE DRAINING AND/OR SPREADING OUT ON THE POLY LINER OR FOR DEMOLITION MATERIALS.
7. THIS FEATURE CAN BE USED FOR:
 - UTILITY REPAIRS
 - WHEN OTHER STAGING LOCATIONS AND OPTIONS ARE LIMITED.
 - OTHER LIMITED APPLICATION AND SHORT DURATION STAGING.

November 2010 Urban Drainage and Flood Control District
Urban Storm Drainage Criteria Manual Volume 3 SP-5

Revegetation Chapter 14

Table 14-10. Recommended Seed Mix for Transition Areas¹

Common Name (Variety)	Scientific Name	Growth Season	Growth Form	Seeds/Lb	Lbs PLS/Acre Drilled	Lbs PLS/Acre Broadcast or Hydroseeded
Sheep fescue (Darar)	<i>Festuca ovina</i>	Cool	Bunch	680,000	1.3	2.6
Western wheatgrass (Arriba)	<i>Pascopyrum smithii</i>	Cool	Sod	110,000	7.9	15.8
Alkali sacaton	<i>Spolobolus airoides</i>	Warm	Bunch	1,758,000	0.5	1.0
Slender wheatgrass (Ruebens)	<i>Elymus trachycanthus</i>	Cool	Bunch	159,000	5.5	11.0
Canadian bluegrass	<i>Poa compressa</i>	Cool	Sod	2,500,000	0.3	0.6
Switchgrass (Pathfinder)	<i>Panicum virgatum</i>	Warm	Sod/ Bunch	389,000	1.3	2.6
Annual rye	<i>Lolium multiflorum</i>	Cool	Cover crop	227,000	10.0	20.0
				TOTAL	26.8	53.6
Wildflowers						
Blanket flower	<i>Faithardia aristata</i>	---	---	132,000	0.25	0.50
Prairie coneflower	<i>Ratibida columnaris</i>	---	---	1,230,000	0.20	0.40
Purple prairie clover	<i>Petalostemum purpureum</i>	---	---	210,000	0.20	0.40
Gayfeather	<i>Liatris punctata</i>	---	---	138,000	0.06	0.12
Flax	<i>Linum lewisii</i>	---	---	293,000	0.20	0.40
Penstemon	<i>Penstemon strictus</i>	---	---	592,000	0.20	0.40
Yarrow	<i>Achillea millefolium</i>	---	---	2,770,000	0.03	0.06
				TOTAL	1.14	2.28

¹For site slopes or between wet and dry areas.
²Substitute 1.7 lbs PLS/acre of inland saltgrass (*Distichlis spicata*) if salty soils.

14-22 City of Colorado Springs
Drainage Criteria Manual, Volume 1 May 2014

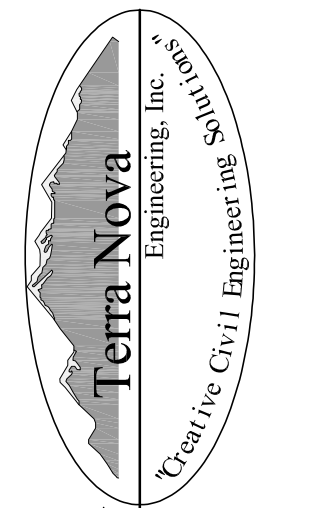
THIS DESIGN WAS PREPARED UNDER MY DIRECT SUPERVISION FOR AND ON BEHALF OF TERRA NOVA ENGINEERING, INC.

L. DUCETT, P.E.
COLORADO P.E. NO. 32339

REVISIONS	NO.	DESCRIPTION	DATE

UNTIL SUCH TIME AS THESE DRAWINGS ARE APPROVED BY THE REVIEWING AGENCIES TERRA NOVA ENGINEERING, INC. APPROVES THEIR USE ONLY FOR THE PROJECT AND SITE SPECIFIC CONDITIONS STATED BY WRITTEN AUTHORIZATION.

PREPARED FOR:
MVEA
ATTN: DDAVID WALDNER
11140 E. WOODMAN RD.
PEYTON, CO 80831
719-495-2283



721 S. 2900 STREET
COLORADO SPRINGS, CO 80904
OFFICE: 719-635-6422
FAX: 719-635-6426
www.tnengine.com

MVEA YODER SUBSTATION
GRADING, EROSION & SEDIMENT CONTROL PLAN
EROSION CONTROL DETAILS

DESIGNED BY QNA
DRAWN BY QNA
CHECKED BY
H-SCALE NA
V-SCALE NA
JOB NO. 1802.00
DATE ISSUED 9/18/18
SHEET NO. 5 OF 5