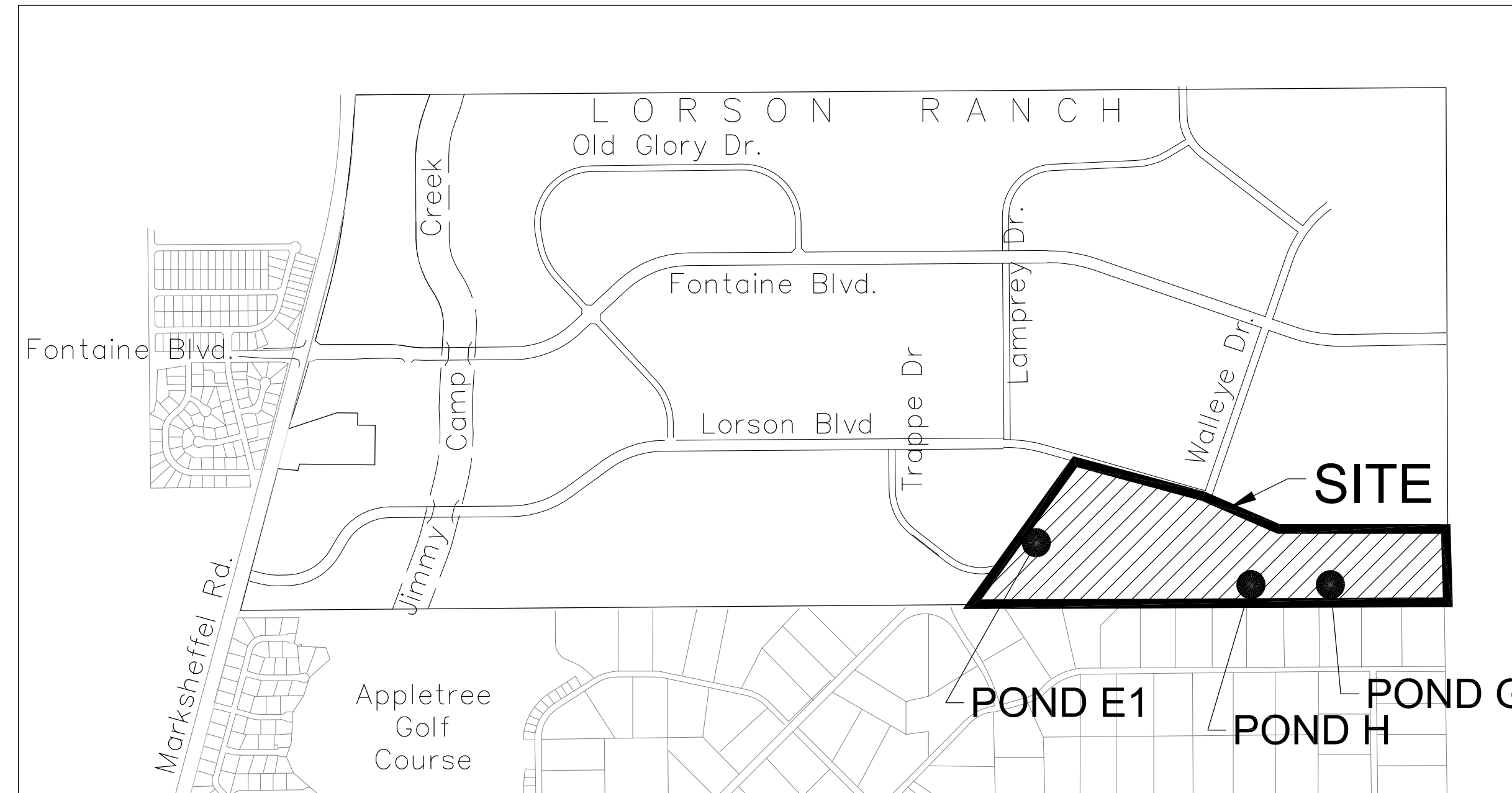


FINAL SITE GRADING CONSTRUCTION PLANS  
FOR  
**HILLSIDE AT LORSON RANCH FILING NO. 1**  
FINAL OVERLOT GRADING / EROSION CONTROL PLANS



Know what's below.  
Call before you dig.

CALL 2-BUSINESS DAYS IN ADVANCE  
BEFORE YOU DIG, GRADE OR  
EXCAVATE FOR THE MARKING OF  
UNDERGROUND MEMBER UTILITIES



SHEET INDEX	
SHEET NO.	SHEET DESCRIPTION
C0.1	COVER SHEET
C0.2	NOTES (GENERAL, GRADING, EROSION CONTROL)
C0.3	TYPICAL SECTIONS
C4.1 ~ C4.5	GRADING AND EROSION CONTROL PLAN
C9.1 ~ C9.8	PONDS E1, G, & H, OUTLET STRUCTURES, AND DETAILS
C12.1 ~ C12.4	DETAILS

**DEVELOPER'S STATEMENT**

I, THE OWNER/DEVELOPER HAVE READ AND WILL COMPLY WITH THE REQUIREMENTS OF THE GRADING AND EROSION CONTROL PLAN.

DEC 1, 2022

DATE

**CONSTRUCTION APPROVAL**

COUNTY PLAN REVIEW IS PROVIDED ONLY FOR GENERAL CONFORMANCE WITH COUNTY DESIGN CRITERIA. THE COUNTY IS NOT RESPONSIBLE FOR THE ACCURACY AND ADEQUACY OF THE DESIGN, DIMENSIONS, AND/OR ELEVATIONS WHICH SHALL BE CONFIRMED AT THE JOB SITE. THE COUNTY THROUGH THE APPROVAL OF THIS DOCUMENT ASSUMES NO RESPONSIBILITY FOR COMPLETENESS AND/OR ACCURACY OF THIS DOCUMENT. FILED IN ACCORDANCE WITH THE REQUIREMENTS OF THE EL PASO COUNTY LAND DEVELOPMENT CODE, DRAINAGE CRITERIA MANUAL VOLUMES 1 AND 2, AND ENGINEERING CRITERIA MANUAL, AS AMENDED.

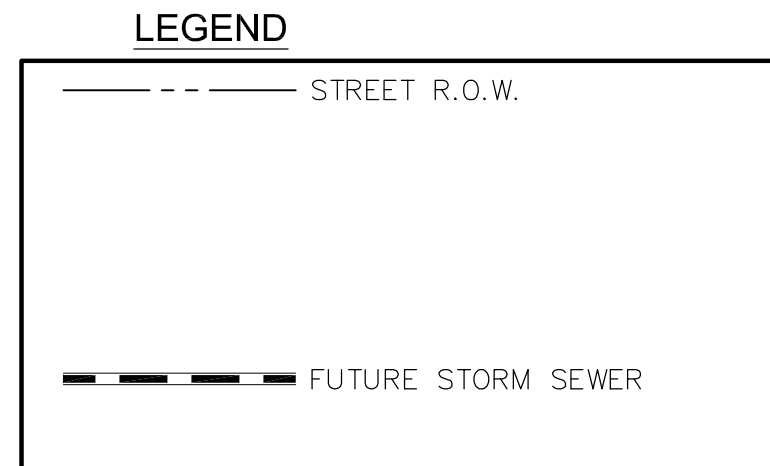
IN ACCORDANCE WITH ECM SECTION 1.12, THESE CONSTRUCTION DOCUMENTS WILL BE VALID FOR CONSTRUCTION FOR A PERIOD OF 2 YEARS FROM THE DATE SIGNED BY THE EL PASO COUNTY ENGINEER. IF CONSTRUCTION HAS NOT STARTED WITHIN THOSE 2 YEARS, THE PLANS WILL NEED TO BE RESUBMITTED FOR APPROVAL, INCLUDING PAYMENT OF REVIEW FEES AT THE PLANNING AND COMMUNITY DEVELOPMENT DIRECTOR'S DISCRETION.

JOSHUA PALMER, P.E., COUNTY ENGINEER/ECM ADMINISTRATOR DATE  
CONDITIONS:

**ENGINEER'S APPROVAL**

THIS GRADING AND EROSION CONTROL PLAN WAS PREPARED UNDER MY DIRECTION AND SUPERVISION AND IS CORRECT TO THE BEST OF MY KNOWLEDGE AND BELIEF. SAID PLAN HAS BEEN PREPARED ACCORDING TO THE CRITERIA ESTABLISHED BY THE COUNTY FOR GRADING AND EROSION CONTROL PLANS. I ACCEPT RESPONSIBILITY FOR ANY LIABILITY CAUSED BY NEGLIGENT ACTS, ERRORS, OR OMISSIONS ON MY PART IN PREPARING THIS PLAN

RICHARD L. SCHINDLER, P.E. # 33997  
FOR AND ON BEHALF OF CORE ENGINEERING GROUP



**WATER / SANITARY**  
WIDEFIELD WATER AND SANITATION DISTRICT  
8495 FONTAINE BLVD.  
COLORADO SPRINGS, CO 80925  
719-390-7111

**CABLE**  
COMCAST  
P.O. BOX 173838  
DENVER, CO 80217  
970-641-4774

**ELECTRIC**  
MOUNTAIN VIEW ELECTRIC  
11140 E. WOODMEN RD.  
COLORADO SPRINGS, CO 80831  
719-495-2283

**SECURITY FIRE PROTECTION DISTRICT**  
400 SECURITY BOULEVARD  
SECURITY, CO 80911  
719-392-7121

PREPARED FOR:  
**LORSON, LLC**  
N. WAHSATCH AVE., SUITE 301  
COLORADO SPRINGS, CO 80903  
719-635-3200  
CONTACT: JEFF MARK

PREPARED BY:  
**CORE ENGINEERING GROUP**  
15004 1ST AVENUE S.  
BURNSVILLE, MN 55306  
719-570-1100  
CONTACT: RICHARD L. SCHINDLER P.E.

**TELEPHONE**  
CENTURYLINK  
7925 INDUSTRY ROAD  
COLORADO SPRINGS, CO 80939  
719-278-4651

**GAS**  
BLACK HILLS ENGERGY  
7060 ALLEGRE ST.  
FOUNTAIN, CO 80817  
719-393-6639

**EL PASO COUNTY PLANNING AND COMMUNITY DEVELOPMENT**  
2880 INTERNATIONAL CIRCLE  
COLORADO SPRINGS, CO 80910  
719-520-6300

**BASIS OF BEARING**

BEARINGS ARE BASED ON THE SOUTH LINE OF THE NORTH HALF OF SECTION 23, TOWNSHIP 15 SOUTH, RANGE 65 WEST OF THE 6TH PRINCIPAL MERIDIAN AS BEING SOUTH 8941'52" WEST. THE EAST QUARTER CORNER OF SAID SECTION 23 IS A FOUND 3-1/2" ALUMINUM CAP MONUMENT AND THE WEST QUARTER CORNER OF SAID SECTION 23 IS A FOUND 2-1/2" ALUMINUM CAP MONUMENT

**BENCHMARK**

FIMS MONUMENT F204 LOCATED AT THE NORTHWEST CORNER OF FONTAINE BLVD AND COTTONWOOD GROVE DR. ELEVATION 5724.072 (N.G.V.D. 29)

**TRAFFIC CONTROL NOTE**

THE CONTRACTOR SHALL PROVIDE ALL TRAFFIC CONTROL DEVICES AND MONITORING NECESSARY TO SAFELY COMPLETE THE WORK SHOWN IN THESE CONSTRUCTION DOCUMENTS IN CONFORMANCE WITH M.U.T.C.D. GUIDELINES. THE CONTRACTOR SHALL COMPLETE ALL NECESSARY WORK FOR PLAN REVIEW, PERMITS AND PROCESSING. TRAFFIC CONTROL WILL NOT BE PAID SEPARATELY BUT IS INCLUDED IN THE COST OF THE PROJECT.

Revise to:  
"EPC's EDARP File Number: SF231"  
(with no dashes or extras zeros or extra spaces in the file number)

SF 22-00x

**CORE ENGINEERING GROUP**  
15004 1ST AVENUE S.  
BURNSVILLE, MN 55306  
PH: 719.570.1100  
CONTACT: RICHARD L. SCHINDLER, P.E.  
EMAIL: Rich@cog1.com

DATE: \_\_\_\_\_  
DESCRIPTION: \_\_\_\_\_  
NO. \_\_\_\_\_  
PROJECT: HILLSIDE AT LORSON RANCH  
LORSON BLVD AND WALLEYE DR  
COLORADO SPRINGS, COLORADO  
PREPARED FOR: LORSON, LLC  
212 N. WAHSATCH AVE, SUITE 301  
COLORADO SPRINGS, COLORADO 80903  
(719) 635-3200  
CONTACT: JEFF MARK

DRAWN: RLS  
DESIGNED: RLS  
CHECKED: RLS

COVER SHEET  
FINAL GRADING AND  
EROSION CONTROL PLAN

DATE: DEC 1, 2022  
PROJECT NO. 100.065  
SHEET NUMBER C0.1  
TOTAL SHEETS: 20

**CONSTRUCTION NOTES**

- ALL WORK SHALL COMPLY WITH THE CODES AND POLICIES FOR EL PASO COUNTY.
- EXISTING TOPOGRAPHIC INFORMATION SHOWN ON THIS GRADING PLAN WAS OBTAINED FROM AERIAL CONTOURS AND PREVIOUS CONSTRUCTION DOCUMENTS. THE CONTRACTOR SHALL BE RESPONSIBLE TO EXAMINE THE SITE AND BE FAMILIAR WITH THE EXISTING CONDITIONS.
- DEPTH OF MOISTURE-DENSITY CONTROL FOR THIS PROJECT SHALL BE AS FOLLOWS:  
BASE OF ALL CUTS AND FILLS - 12 INCHES,  
FULL DEPTH OF ALL EMBANKMENTS
- THE CONTRACTOR IS RESPONSIBLE FOR THE RE-ESTABLISHMENT OF ALL SURVEY MONUMENTS DISTURBED WITHIN THE PROJECT LIMITS.
- THE CONTRACTOR SHALL PROTECT ALL WORK AREAS AND FACILITIES FROM FLOODING AT ALL TIMES. AREAS AND FACILITIES SUBJECTED TO FLOODING, REGARDLESS OF THE SOURCE OF WATER, SHALL BE PROMPTLY DEWATERED AND RESTORED.
- PRIOR TO PAVING OPERATIONS, THE ENTIRE SUBGRADE SHALL BE PROOF-ROLLED WITH A LOADED 988 FRONT-END LOADER OR SIMILAR HEAVY RUBBER Tired VEHICLE (GVW OF 50,000 POUNDS WITH 18 KIP PER AXLE AT TIRE PRESSURES OF 90 PSI) TO DETECT ANY SOFT OR LOOSE AREAS. IN AREAS WHERE SOFT OR LOOSE SOILS, PUMPING OR EXCESSIVE MOVEMENT IS OBSERVED, THE EXPOSED MATERIALS SHALL BE OVER-EXCAVATED TO A MINIMUM DEPTH OF TWO FEET BELOW PROPOSED FINAL GRADE OR TO A DEPTH AT WHICH SOILS ARE STABLE. AFTER THIS HAS BEEN COMPLETED, THE EXPOSED MATERIALS SHALL BE SCARIFIED TO A DEPTH OF 12 INCHES AND MOISTURE CONDITIONED. THE SUBGRADE SHALL THEN BE UNIFORMLY COMPACTED TO A MINIMUM OF 95% OF STANDARD PROCTOR DENSITY (ASTM D-698) AT 0 TO +4.0% OF OPTIMUM MOISTURE CONTENT FOR A-6 AND A-7-6 SOILS ENCOUNTERED. OTHER SUBGRADE TYPES SHALL BE UNIFORMLY COMPACTED TO A MINIMUM OF 95% OF MODIFIED PROCTOR DENSITY (ASTM D-1557) AT PLUS OR MINUS 2.0% OF OPTIMUM MOISTURE CONTENT. AREAS WHERE STABLE NATURAL SOILS ARE ENCOUNTERED AT PROPOSED SUBGRADE ELEVATION SHALL ALSO BE SCARIFIED (18 INCHES FOR A-7-6 SOILS BELOW FULL-DEPTH ASPHALT CONCRETE) AND COMPACTED AS OUTLINED ABOVE PRIOR TO PAVING OPERATIONS. SUBGRADE FILL SHALL BE PLACED IN SIX-INCH LIFTS AND UNIFORMLY COMPACTED, MEETING THE REQUIREMENTS AS PREVIOUSLY DESCRIBED.
- SUBGRADE MATERIALS DEEMED UNSUITABLE BY THE ENGINEER SHALL BE EXCAVATED, DISPOSED OF AND REPLACED WITH APPROVED MATERIALS.
- FILL SHALL BE PLACED IN 8-INCH MAXIMUM LOOSE LIFTS AND SHALL BE COMPACTED PRIOR TO SUCCESSIVE LIFTS.
- THE CONTRACTOR IS RESPONSIBLE FOR PREVENTING AND CONTROLLING EROSION DURING CONSTRUCTION ACTIVITIES AT ALL TIMES DURING GRADING AND CONSTRUCTION. THE CONTRACTOR SHALL PROVIDE THE FOLLOWING EROSION AND SEDIMENT CONTROL MEASURES:
  - HAY BALE BARRIERS WHERE NEEDED AND/OR AS DIRECTED BY THE ENGINEER.
  - SILT FENCE WHERE NEEDED AND/OR AS DIRECTED BY THE ENGINEER.
  - TEMPORARY SEDIMENTATION BASINS WHERE NEEDED AND/OR AS DIRECTED BY THE ENGINEER.
  - MULCHING AND SEEDING OF EXCESSIVE SLOPED AREAS AS NEEDED OR AS DIRECTED BY THE ENGINEER.
  - TEMPORARY VEHICLE TRACKING CONTROL AS NEEDED AND/OR DIRECTED BY THE ENGINEER.
  - CONCRETE WASH AREAS.
  - INLET PROTECTION.
 THESE AND ALL EROSION CONTROL BEST MANAGEMENT PRACTICES AS SHOWN IN THE GRADING AND EROSION CONTROL PLANS SHALL BE STRICTLY ADHERED TO.
- FINISHED CONTOURS/SPOT ELEVATIONS SHOWN HEREON REPRESENT FINISHED GRADES. ALL PAVEMENT SUBGRADES ARE BASED ON THE COMPOSITE ASPHALT PAVEMENT RECOMMENDATIONS MADE IN THE "GEOTECHNICAL STUDY" FOR THIS PROJECT.
- THERE MAY BE SOME TOPSOIL WITHIN LORSON RANCH EAST THAT IS NOT SUITABLE FOR RE-USE. CONTRACTOR SHALL AMEND THE TOPSOIL AS NECESSARY AND RE-SPREAD IN ACCORDANCE WITH THE GEOTECHNICAL RECOMMENDATIONS. IF TOPSOIL CANNOT BE AMENDED IT SHALL BE USED AS FILL WHERE NO FUTURE STRUCTURES OR ROADS WILL BE BUILT.

ADDITIONAL SWMP PLAN CONTRACTOR NOTES:

- CONTRACTOR MUST ADD THEIR CONTACT INFORMATION TO THE SWMP PLANS PRIOR TO CONSTRUCTION
- IF THE GRADING IS TO BE PHASED THE CONTRACTOR MUST PROVIDE PHASING MAPS FOR INSERTION INTO THE SWMP PLANS.
- THE CONTRACTOR MUST PROVIDE THE CLIENT THE LOCATION OF ANY POTENTIAL SOURCES OF POLLUTIONS SUCH AS FUELING AREAS, ETC TO BE INSERTED INTO THE SWMP PLANS.
- THE ON-SITE SWMP PLAN SHALL BE LOCATED AT THE SE CORNER OF FONTAINE BLVD AND MARKSHEFFEL ROAD UNLESS OTHERWISE DOCUMENTED.
- EXISTING VEGETATION WITHIN THE LIMITS OF CONSTRUCTION CONSISTS OF NATIVE GRASSES AND WEEDS. GROUND COVER IS ESTIMATED AT 70% DENSITY. EXISTING VEGETATION WILL BE VERIFIED VISUALLY IN THE FIELD PRIOR TO STARTING WORK.

EL PASO COUNTY STANDARD CONSTRUCTION NOTES:

- ALL DRAINAGE AND ROADWAY CONSTRUCTION SHALL MEET THE STANDARDS AND SPECIFICATIONS OF THE CITY OF COLORADO SPRINGS/EL PASO COUNTY DRAINAGE CRITERIA MANUAL, VOLUMES 1 AND 2, AND THE EL PASO COUNTY ENGINEERING CRITERIA MANUAL.
- CONTRACTOR SHALL BE RESPONSIBLE FOR THE NOTIFICATION AND FIELD NOTIFICATION OF ALL EXISTING UTILITIES, WHETHER SHOWN ON THE PLANS OR NOT, BEFORE BEGINNING CONSTRUCTION. LOCATION OF EXISTING UTILITIES SHALL BE VERIFIED BY THE CONTRACTOR PRIOR TO CONSTRUCTION. CALL 811 TO CONTACT THE UTILITY NOTIFICATION CENTER OF COLORADO (UNCC).
- CONTRACTOR SHALL KEEP A COPY OF THESE APPROVED PLANS, THE GRADING AND EROSION CONTROL PLAN, THE STORMWATER MANAGEMENT PLAN (SWMP), THE SOILS AND GEOTECHNICAL REPORT, AND THE APPROPRIATE DESIGN AND CONSTRUCTION STANDARDS AND SPECIFICATIONS AT THE JOB SITE AT ALL TIMES, INCLUDING THE FOLLOWING:
  - EL PASO COUNTY ENGINEERING CRITERIA MANUAL (ECM)
  - CITY OF COLORADO SPRINGS/EL PASO COUNTY DRAINAGE CRITERIA MANUAL, VOLUMES 1 AND 2
  - COLORADO DEPARTMENT OF TRANSPORTATION (CDOT) STANDARD SPECIFICATIONS FOR ROAD AND BRIDGE CONSTRUCTION
  - CDOT M & S STANDARDS
- NOTWITHSTANDING ANYTHING DEPICTED IN THESE PLANS IN WORDS OR GRAPHIC REPRESENTATION, ALL DESIGN AND CONSTRUCTION RELATED TO ROADS, STORM DRAINAGE AND EROSION CONTROL SHALL CONFORM TO THE STANDARDS AND REQUIREMENTS OF THE MOST RECENT VERSION OF THE RELEVANT ADOPTED EL PASO COUNTY STANDARDS, INCLUDING THE LAND DEVELOPMENT CODE, THE ENGINEERING CRITERIA MANUAL, THE DRAINAGE CRITERIA MANUAL, AND THE DRAINAGE CRITERIA MANUAL VOLUME 2. ANY DEVIATIONS FROM REGULATIONS AND STANDARDS MUST BE REQUESTED, AND APPROVED, IN WRITING. ANY MODIFICATIONS NECESSARY TO MEET CRITERIA AFTER-THE-FACT WILL BE ENTIRELY THE DEVELOPER'S RESPONSIBILITY TO RECTIFY.
- IT IS THE DESIGN ENGINEER'S RESPONSIBILITY TO ACCURATELY SHOW EXISTING CONDITIONS, BOTH ONSITE AND OFFSITE, ON THE CONSTRUCTION PLANS. ANY MODIFICATIONS NECESSARY DUE TO CONFLICTS, OMISSIONS, OR CHANGED CONDITIONS WILL BE ENTIRELY THE DEVELOPER'S RESPONSIBILITY TO RECTIFY.
- CONTRACTOR SHALL SCHEDULE A PRE-CONSTRUCTION MEETING WITH EL PASO COUNTY PLANNING AND COMMUNITY DEVELOPMENT (PCD) - INSPECTIONS, PRIOR TO STARTING CONSTRUCTION.
- IT IS THE CONTRACTOR'S RESPONSIBILITY TO UNDERSTAND THE REQUIREMENTS OF ALL JURISDICTIONAL AGENCIES AND TO OBTAIN ALL REQUIRED PERMITS, INCLUDING BUT NOT LIMITED TO EL PASO COUNTY EROSION AND STORMWATER QUALITY CONTROL PERMIT (ESQCP), REGIONAL BUILDING FLOODPLAIN DEVELOPMENT PERMIT, U.S. ARMY CORPS OF ENGINEERS-ISSUED 401 AND/OR 404 PERMITS, AND COUNTY AND STATE FUGITIVE DUST PERMITS.
- CONTRACTOR SHALL NOT DEVIATE FROM THE PLANS WITHOUT FIRST OBTAINING WRITTEN APPROVAL FROM THE DESIGN ENGINEER AND DSD. CONTRACTOR SHALL NOTIFY THE DESIGN ENGINEER IMMEDIATELY UPON DISCOVERY OF ANY ERRORS OR INCONSISTENCIES.
- ALL STORM DRAIN PIPE SHALL BE CLASS III RCP UNLESS OTHERWISE NOTED AND APPROVED BY PCD.
- CONTRACTOR SHALL COORDINATE GEOTECHNICAL TESTING PER ECM STANDARDS. PAVEMENT DESIGN SHALL BE APPROVED BY EL PASO COUNTY PCD PRIOR TO PLACEMENT OF CURB AND GUTTER AND PAVEMENT.
- ALL CONSTRUCTION TRAFFIC MUST ENTER/EXIT THE SITE AT APPROVED CONSTRUCTION ACCESS POINTS.
- SIGHT VISIBILITY TRIANGLES AS IDENTIFIED IN THE PLANS SHALL BE PROVIDED AT ALL INTERSECTIONS. OBSTRUCTIONS GREATER THAN 18 INCHES ABOVE FLOWLINE ARE NOT ALLOWED WITHIN SIGHT TRIANGLES.
- SIGNING AND STRIPING SHALL COMPLY WITH EL PASO COUNTY PUBLIC WORK DEPARTMENT AND MUTCD CRITERIA.
- CONTRACTOR SHALL OBTAIN ANY PERMITS REQUIRED BY EL PASO COUNTY PWD, INCLUDING WORK WITHIN THE RIGHT-OF-WAY AND SPECIAL TRANSPORT PERMITS.
- THE LIMITS OF CONSTRUCTION SHALL REMAIN WITHIN THE PROPERTY LINE UNLESS OTHERWISE NOTED. THE OWNER/DEVELOPER SHALL OBTAIN WRITTEN PERMISSION AND EASEMENTS, WHERE REQUIRED, FROM ADJOINING PROPERTY OWNER(S) PRIOR TO ANY OFF-SITE DISTURBANCE, GRADING, OR CONSTRUCTION.

GEOTECHNICAL REPORT NOTE

- ALL GRADING SHALL CONFORM TO THE GEOTECHNICAL RECOMMENDATIONS PREPARED BY RMG, " SOILS AND GEOLOGY FOR HILLSIDE AT LORSON RANCH", DATED JANUARY 3, 2022, REV. MAY 20, 2022, JOB NO. 181988.

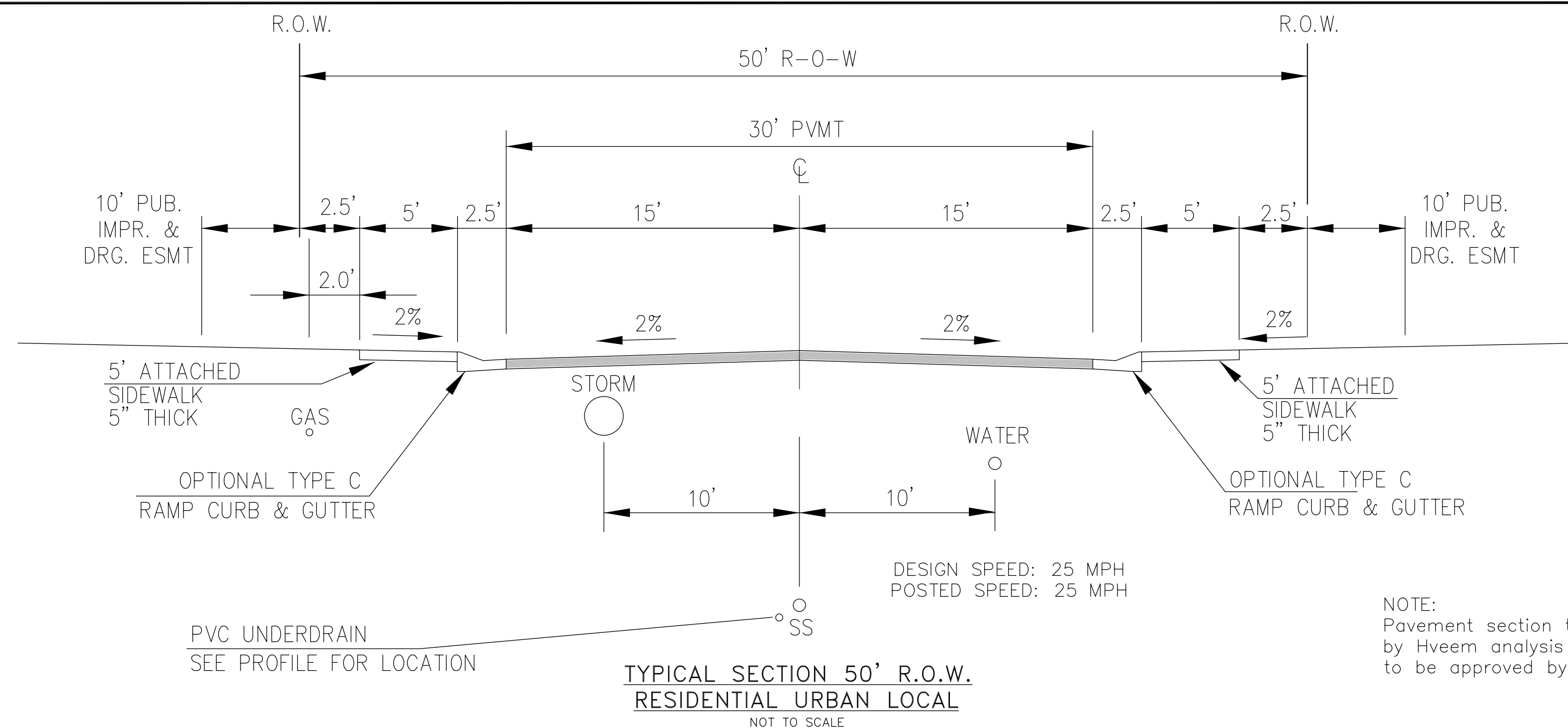
STANDARD NOTES FOR EL PASO COUNTY GRADING AND EROSION CONTROL PLANS

- Stormwater discharges from construction sites shall not cause or threaten to cause pollution, contamination, or degradation of State Waters. All work and earth disturbance shall be done in a manner that minimizes pollution of any on-site or off-site waters, including wetlands.
- Notwithstanding anything depicted in these plans in words or graphic representation, all design and construction related to roads, storm drainage and erosion control shall conform to the standards and requirements of the most recent version of the relevant adopted El Paso County standards, including the Land Development Code, the Engineering Criteria Manual, the Drainage Criteria Manual, and the Drainage Criteria Manual Volume 2. Any deviations from regulations and standards must be requested, and approved, in writing.
- A separate Stormwater Management Plan (SWMP) for this project shall be completed and an Erosion and Stormwater Quality Control Permit (ESQCP) issued prior to commencing construction. Management of the SWMP during construction is the responsibility of the designated Qualified Stormwater Manager or Certified Erosion Control Inspector. The SWMP shall be located on site at all times during construction and shall be kept up to date with work progress and changes in the field.
- Once the ESQCP is approved and a "Notice to Proceed" has been issued, the contractor may install the initial stage erosion and sediment control measures as indicated on the approved GEC. A Preconstruction Meeting between the contractor, engineer, and El Paso County will be held prior to any construction. It is the responsibility of the applicant to coordinate the meeting time and place with County staff.
- Control measures must be installed prior to commencement of activities that could contribute pollutants to stormwater. Control measures for all slopes, channels, ditches, and disturbed land areas shall be installed immediately upon completion of the disturbance.
- All temporary sediment and erosion control measures shall be maintained and remain in effective operating condition until permanent soil erosion control measures are implemented and final stabilization is established. All persons engaged in land disturbance activities shall assess the adequacy of control measures at the site and identify if changes to those control measures are needed to ensure the continued effective performance of the control measures. All changes to temporary sediment and erosion control measures must be incorporated into the Stormwater Management Plan.
- Temporary stabilization shall be implemented on disturbed areas and stockpiles where ground disturbing construction activity has permanently ceased or temporarily ceased for longer than 14 days.
- Final stabilization must be implemented at all applicable construction sites. Final stabilization is achieved when all ground disturbing activities are complete and all disturbed areas either have a uniform vegetative cover with individual plant density of 70 percent of pre-disturbance levels established or equivalent permanent alternative stabilization method is implemented. All temporary sediment and erosion control measures shall be removed upon final stabilization and before permit closure.
- All permanent stormwater management facilities shall be installed as designed in the approved plans. Any proposed changes that effect the design or function of permanent stormwater management structures must be approved by the ECM Administrator prior to implementation.
- Earth disturbances shall be conducted in such a manner so as to effectively minimize accelerated soil erosion and resulting sedimentation. All disturbances shall be designed, constructed, and completed so that the exposed area of any disturbed land shall be limited to the shortest practical period of time. Pre-existing vegetation shall be protected and maintained within 50 horizontal feet of a waters of the state unless shown to be infeasible and specifically requested and approved.
- Compaction of soil must be prevented in areas designated for infiltration control measures or where final stabilization will be achieved by vegetative cover. Areas designated for infiltration control measures shall also be protected from sedimentation during construction until final stabilization is achieved. If compaction prevention is not feasible due to site constraints, all areas designated for infiltration and vegetation control measures must be loosened prior to installation of the control measure(s).
- Any temporary or permanent facility designed and constructed for the conveyance of stormwater around, through, or from the earth disturbance area shall be a stabilized conveyance designed to minimize erosion and the discharge of sediment off site.
- Concrete wash water shall be contained and disposed of in accordance with the SWMP. No wash water shall be discharged to or allowed to enter State Waters, including any surface or subsurface storm drainage system or facilities. Concrete washouts shall not be located in an area where shallow groundwater may be present, or within 50 feet of a surface water body, creek or stream.
- During dewatering operations of uncontaminated ground water may be discharged on site, but shall not leave the site in the form of surface runoff unless an approved State dewatering permit is in place.
- Erosion control blanketing or other protective covering shall be used on slopes steeper than 3:1.
- Contractor shall be responsible for the removal of all wastes from the construction site for disposal in accordance with local and State regulatory requirements. No construction debris, tree slash, building material wastes or unused building materials shall be buried, dumped, or discharged at the site.
- Waste materials shall not be temporarily placed or stored in the street, alley, or other public way, unless in accordance with an approved Traffic Control Plan. Control measures may be required by El Paso County Engineering if deemed necessary, based on specific conditions and circumstances.
- Tracking of soils and construction debris off-site shall be minimized. Materials tracked off-site shall be cleaned up and properly disposed of immediately.
- The owner/developer shall be responsible for the removal of all construction debris, dirt, trash, rock, sediment, soil, and sand that may accumulate in roads, storm drains and other drainage conveyance systems and stormwater appurtenances as a result of site development.
- The quantity of materials stored on the project site shall be limited, as much as practical, to that quantity required to perform the work in an orderly sequence. All materials stored on-site shall be stored in a neat, orderly manner, in their original containers, with original manufacturer's labels.
- No chemical(s) having the potential to be released in stormwater are to be stored or used onsite unless permission for the use of such chemical(s) is granted in writing by the ECM Administrator. In granting approval for the use of such chemical(s), special conditions and monitoring may be required.
- Bulk storage of allowed petroleum products or other allowed liquid chemicals in excess of 55 gallons shall require adequate secondary containment protection to contain all spills onsite and to prevent any spilled materials from entering State Waters, any surface or subsurface storm drainage system or other facilities.
- No person shall cause the impediment of stormwater flow in the curb and gutter or ditch except with approved sediment control measures.
- Owner/developer and their agents shall comply with the "Colorado Water Quality Control Act" (Title 25, Article 8, CRS), and the "Clean Water Act" (33 USC 1344), in addition to the requirements of the Land Development Code, DCM Volume II and the ECM Appendix I. All appropriate permits must be obtained by the contractor prior to construction (1041, NPDES, Floodplain, 404, fugitive dust, etc.). In the event of conflicts between these requirements and other laws, rules, or regulations of other Federal, State, local, or County agencies, the most restrictive laws, rules, or regulations shall apply.
- All construction traffic must enter/exit the site only at approved construction access points.
- Prior to construction the permittee shall verify the location of existing utilities.
- A water source shall be available on site during earthwork operations and shall be utilized as required to minimize dust from earthwork equipment and wind.
- The soils report for this site has been prepared by RMG and shall be considered a part of these plans. See Geotechnical Report Note.
- At least ten (10) days prior to the anticipated start of construction, for projects that will disturb one (1) acre or more, the owner or operator of construction activity shall submit a permit application for stormwater discharge to the Colorado Department of Public Health and Environment, Water Quality Division. The application contains certification of completion of a stormwater management plan (SWMP), of which this Grading and Erosion Control Plan may be a part. For information or application materials contact:

Colorado Department of Public Health and Environment  
Water Quality Control Division  
WQCD - Permits  
4300 Cherry Creek Drive South  
Denver, CO 80246-1530  
Attn: Permits Unit

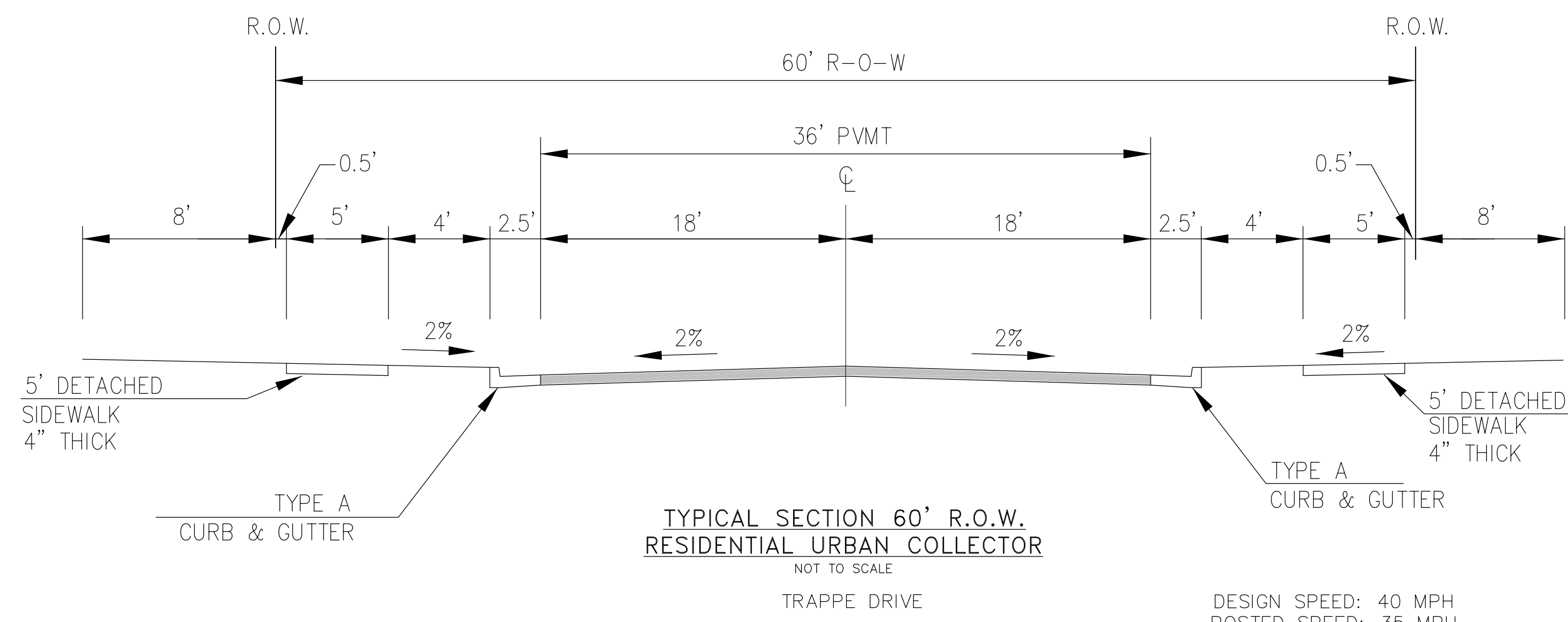
<b>CORE ENGINEERING GROUP</b>	DATE	NO.	DESCRIPTION	PREPARED FOR:
				HILLSIDE AT LORSON RANCH
				LORSON, LLC
				212 N. WAHSATCH AVE. SUITE 301 COLORADO SPRINGS, COLORADO 80903
				PROJECT: HILLSIDE AT LORSON RANCH
				LORSON, BLVD. WALLEYE DR. COLORADO SPRINGS, COLORADO
				DRAWN: RLS DESIGNED: RLS CHECKED: RLS
				DATE: DEC 1, 2022
				PROJECT NO. 100.065
				SHEET NUMBER C0.2
				TOTAL SHEETS: 20





KINGSTON PEAK PL, WAHLUKE DR, HACKBERRY HILL ST, TIN MOUNTAIN TR,  
YAMSAY WY, HOCKING TR, SALT SPRING WY, WHISKEY HILL LN, SHUKSAN LN  
SPERRY TER, SAWTOOTH RIDGE WY, ELK HILLS DR, CRAFTON CT,  
TRAPPE DR, LONG RIDGE CT, KEYNOT CT, BEACON BUTTE PL, SOLOMON TR.

NOTE:  
Pavement section to be determined  
by Hveem analysis and design. Design  
to be approved by El Paso County PCD Engineering



NOTE:  
Pavement section to be determined  
by Hveem analysis and design. Design  
to be approved by PCD Engineering

**CORE**  
**ENGINEERING GROUP**  
15004 1ST AVENUE S.  
BURNSVILLE, MN 55306  
PH: 719.570.1100  
CONTACT: RICHARD L. SCHINDLER, P.E.  
EMAIL: Rich@cegi.com

DATE: \_\_\_\_\_  
DESCRIPTION: \_\_\_\_\_  
NO. \_\_\_\_\_

PREPARED FOR:  
**LORSON, LLC**  
212 N. WAHSATCH AVE, SUITE 301  
COLORADO SPRINGS, COLORADO 80903  
(719) 635-3200  
CONTACT: JEFF MARK

PROJECT:  
**HILL SIDE AT LORSON  
RANCH**  
LORSON BLVD. - WALLEYE DR  
COLORADO SPRINGS, COLORADO

DRAWN: RLS  
DESIGNED: RLS  
CHECKED: RLS

**OVERLOT  
SITE GRADING  
TYPICAL ROADWAY SECTIONS**

DATE:  
DEC 1, 2022

PROJECT NO.  
100.065

SHEET NUMBER  
**C0.3**

TOTAL SHEETS: 20



### LEGEND

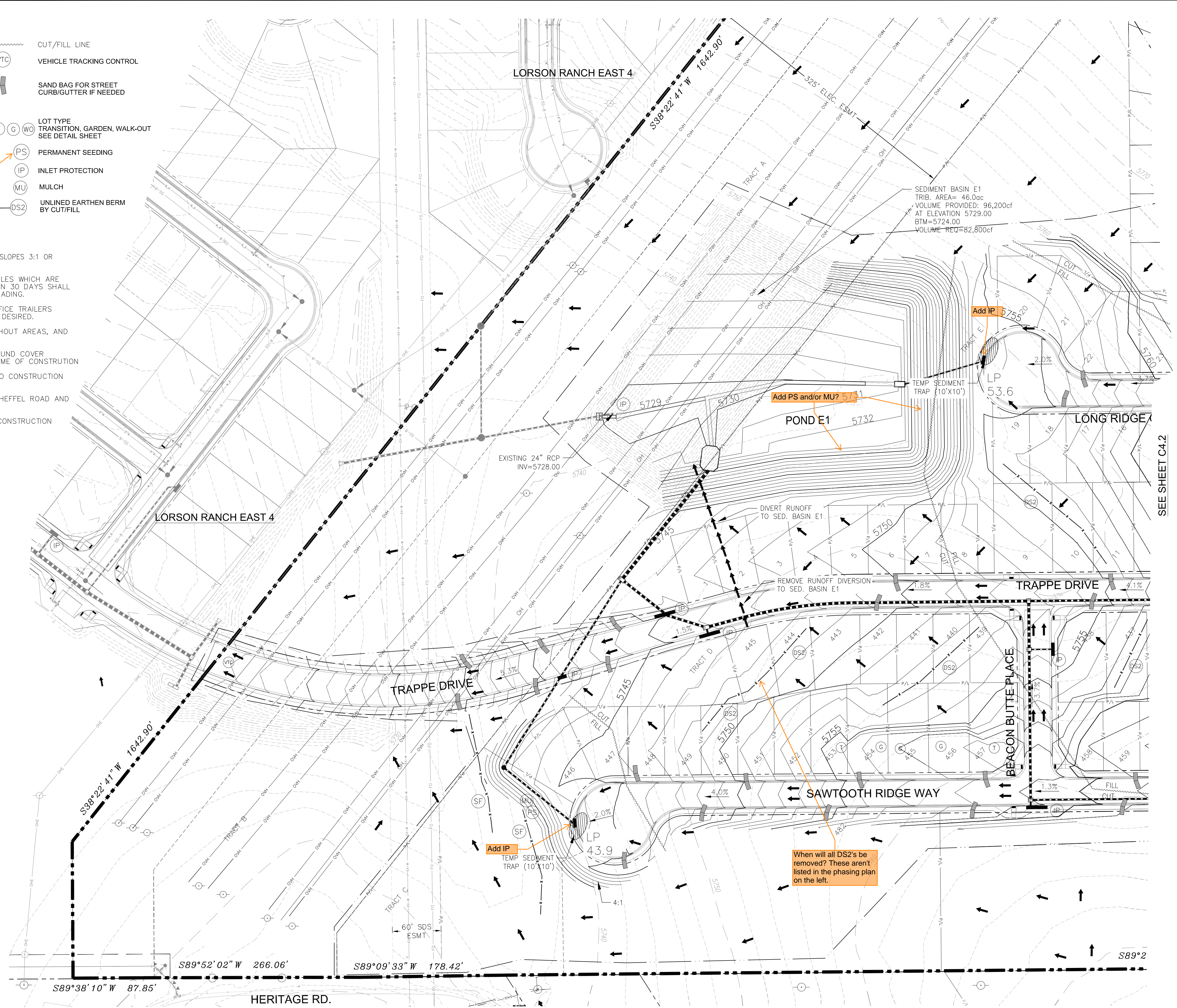
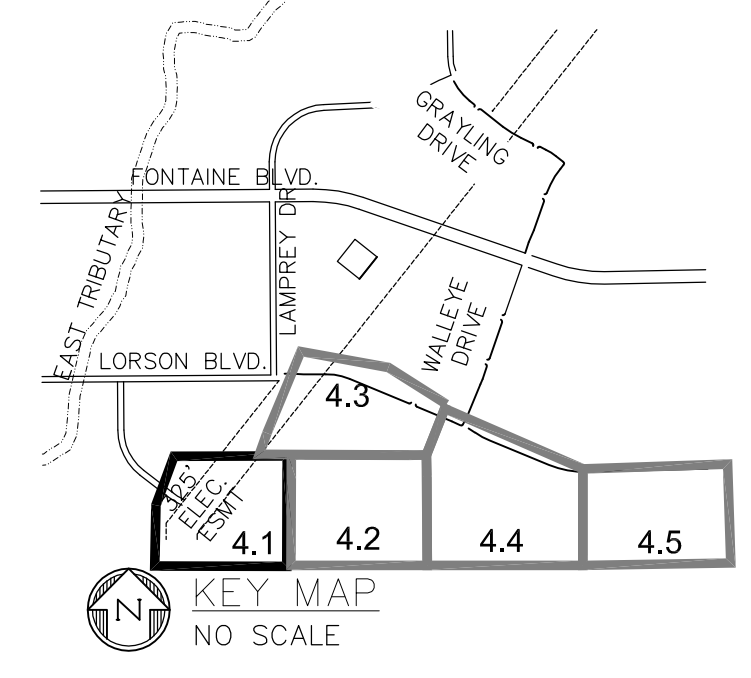
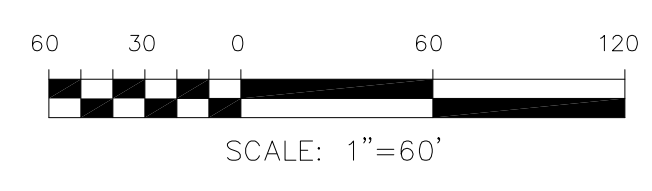
5721	EXISTING/PROPOSED CURB/GUTTER	-----	CUT/FILL LINE
5720	EXISTING MINOR CONTOUR	-----	VEHICLE TRACKING CONTROL (VTC)
5720	EXISTING MAJOR CONTOUR	-----	
5720	PROPOSED CONTOUR	-----	
---	EXISTING STORM SEWER	---	
---	PROPOSED STORM SEWER, INLETS, MANHOLES	---	
(SF)	PERIMETER EROSION CONTROL	(SF)	
---	SILT FENCE, EROSION LOG, OR EARTH BERM	---	
---	SUBDIVISION BOUNDARY	---	
---	CONSTRUCTION BOUNDARY/LIMITS OF DISTURBANCE	---	
P/L	PROPERTY LINE OR TRACT LINE	(T) (G) (WO)	LOT TYPE TRANSITION, GARDEN, WALK-OUT SEE DETAIL SHEET
---	ROW LINE	(PS)	PERMANENT SEEDING
---	STORMWATER RUNOFF DIRECTION	(IP)	INLET PROTECTION
X%	SLOPE DIRECTION AND GRADE	(MU)	MULCH
		(DS2)	UNLINED EARTHEN BERM BY CUT/FILL

- NOTE:**
- SLOPES SHALL BE 4:1 UNLESS OTHERWISE NOTED
  - POND SLOPES SHALL BE 4:1
  - STRAW ECB SHALL BE PLACED ON ALL SIDE SLOPES AND PERMANENT SLOPES 3:1 OR STEEPER
  - TEMPORARY SEEDING REQUIRED ON DISTURBED AREAS AND STOCKPILES WHICH ARE NOT AT FINAL GRADE BUT WILL REMAIN DORMANT FOR LONGER THAN 30 DAYS SHALL ALSO BE MULCHED AND SEEDED WITHIN 21 DAYS AFTER INTERIM GRADING.
  - THERE ARE NO ASPHALT BATCH PLANTS OR CONSTRUCTION OFFICE TRAILERS PLANNED FOR THIS SITE OR CONTRACTOR SHALL OBTAIN PERMIT IF DESIRED.
  - CONTRACTOR TO DETERMINE STOCKPILE AREAS, CONCRETE WASHOUT AREAS, AND STAGING AREAS AND SHOW THEM ON THE WORKING MAPS.
  - EXISTING VEGETATION CONSISTS OF GRASSES AND WEEDS. GROUND COVER ESTIMATED AT 65% DENSITY AND WILL BE FIELD VERIFIED AT THE TIME OF CONSTRUCTION
  - THE STAGING AREA WILL BE DETERMINED IN THE FIELD PRIOR TO CONSTRUCTION AND WILL BE DEPICTED ON THE SWMP PLAN AT THAT TIME
  - THE SWMP MANUAL IS LOCATED AT THE SE CORNER OF MARKSHEFFEL ROAD AND FONTAINE BOULEVARD.
  - THERE ARE NO STREAMS OR WETLANDS WITHIN THE LIMITS OF CONSTRUCTION

- INITIAL BMP'S:**
- PERIMETER SILT FENCE
  - VEHICLE TRACKING CONTROL PADS
  - SEDIMENT BASIN IN POND E1
  - INLET PROTECTION FOR EXISTING INLETS
  - PLACEMENT OF ON-SITE SWMP MANUAL

- INTERIM BMP'S:**
- TEMPORARY SEDIMENT TRAPS AS GRADING PROGRESSES
  - TEMPORARY SEEDING/MULCHING AS NEEDED
  - STRAW BALE CHECKS AS NEEDED DURING GRADING
  - SEDIMENT BASIN IN POND H

- FINAL BMP'S:**
- FINAL SEEDING AND MULCHING
  - STRAW ECB ON PERMANENT SLOPES 3:1 OR STEEPER.
  - POND OUTLET STRUCTURES



**CORE ENGINEERING GROUP**  
 1500S AVENUE S,  
 SUITE 100,  
 PH: 719.570.1100  
 CONTACT: RICHARD L. SCHINDLER, P.E.  
 EMAIL: Rich@ceg1.com

DATE: \_\_\_\_\_  
 DESCRIPTION: \_\_\_\_\_  
 NO. \_\_\_\_\_  
 PREPARED FOR: **LORSON, LLC**  
 212 N. WAHSATCH AVE, SUITE 301  
 COLORADO SPRINGS, COLORADO 80903  
 CONTACT: JEFF MARK  
 PROJECT: **HILLSIDE AT LORSON RANCH**  
 LORSON BLVD. - WALLEYE DR.  
 COLORADO SPRINGS, COLORADO

DRAWN: RLS  
 DESIGNED: RLS  
 CHECKED: RLS

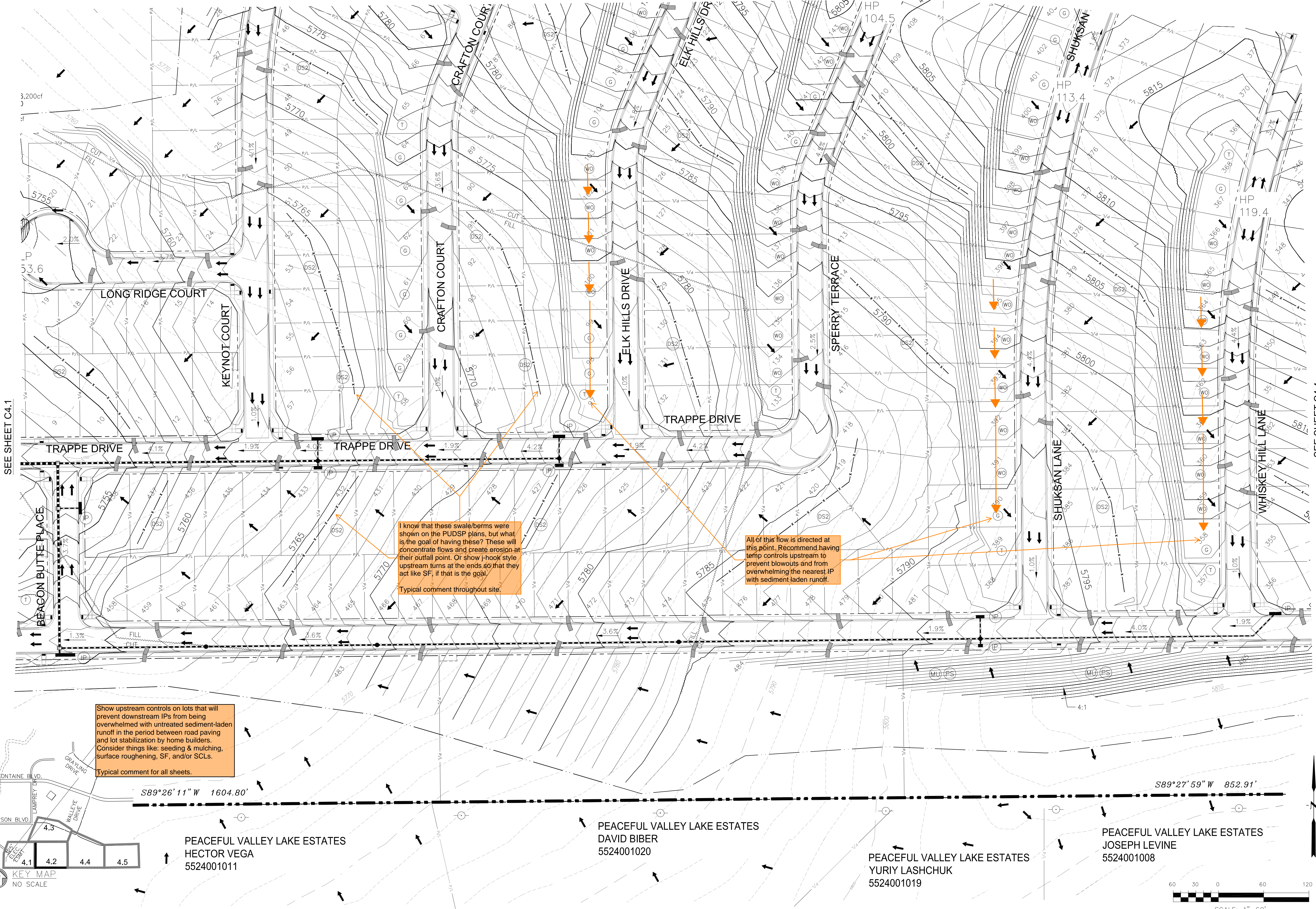
**HILLSIDE AT LORSON RANCH  
 OVERLOT FINAL GRADING AND  
 EROSION CONTROL PLAN**

DATE: DEC 1, 2022  
 PROJECT NO. 100.065  
 SHEET NUMBER C4.1  
 TOTAL SHEETS: 20

SEE SHEET C4.2



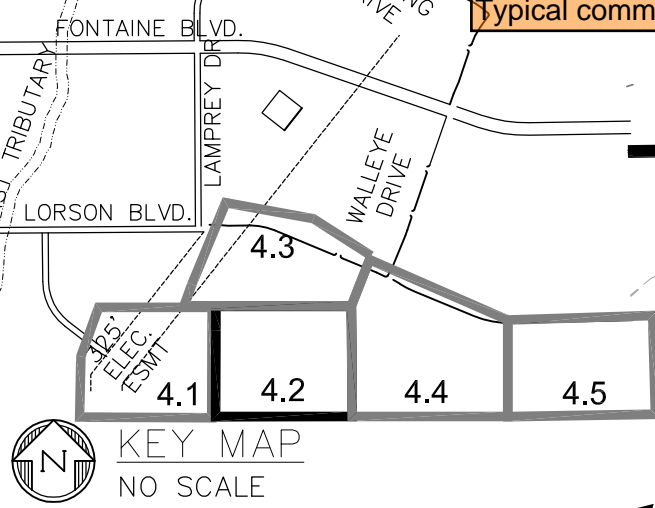
SEE SHEET C4.3



I know that these swale/berms were shown on the PUDSP plans, but what is the goal of having these? These will concentrate flows and create erosion at their outfall point. Or show j-hook style upstream turns at the ends so that they act like SF, if that is the goal.  
 Typical comment throughout site.

All of this flow is directed at this point. Recommend having temp controls upstream to prevent blowouts and from overwhelming the nearest IP with sediment laden runoff.

Show upstream controls on lots that will prevent downstream IPs from being overwhelmed with untreated sediment-laden runoff in the period between road paving and lot stabilization by home builders. Consider things like: seeding & mulching, surface roughening, SF, and/or SCLs.  
 Typical comment for all sheets.

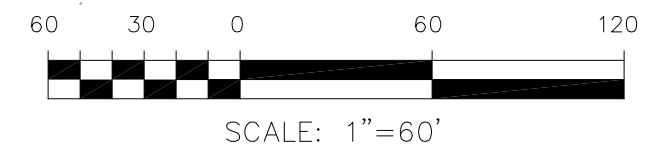


PEACEFUL VALLEY LAKE ESTATES  
 HECTOR VEGA  
 5524001011

PEACEFUL VALLEY LAKE ESTATES  
 DAVID BIBER  
 5524001020

PEACEFUL VALLEY LAKE ESTATES  
 YURIY LASHCHUK  
 5524001019

PEACEFUL VALLEY LAKE ESTATES  
 JOSEPH LEVINE  
 5524001008



**CORE**  
**ENGINEERING GROUP**  
 1500S W. 151ST AVENUE, SUITE 301  
 COLORADO SPRINGS, COLORADO 80903  
 PH: 719.570.1100  
 CONTACT: RICHARD L. SCHINDLER, P.E.  
 EMAIL: Rich@eg1.com

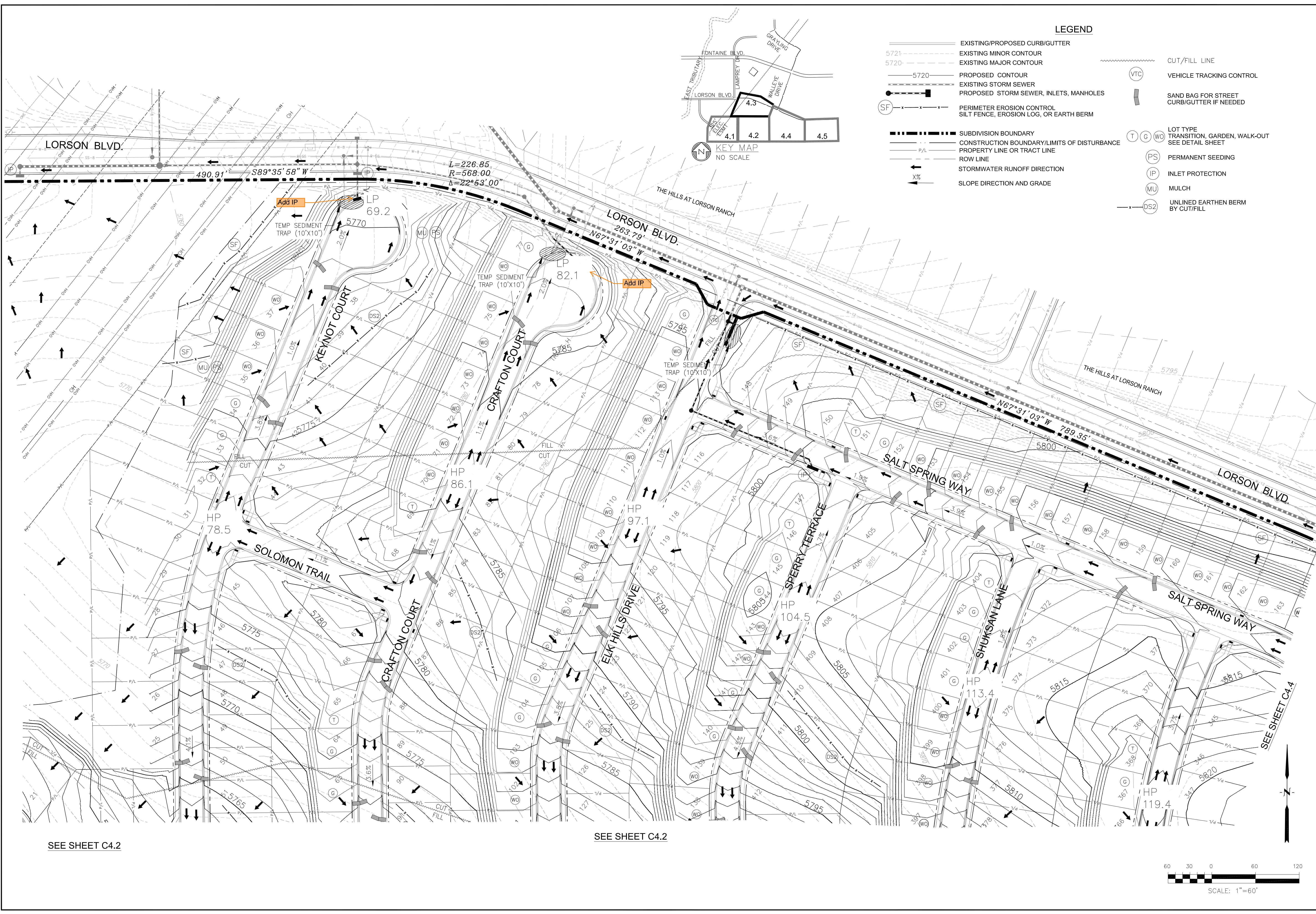
DATE: \_\_\_\_\_  
 DESCRIPTION: \_\_\_\_\_  
 NO. \_\_\_\_\_  
 PREPARED FOR:  
**LORSON, LLC**  
 212 N. WAHSATCH AVE, SUITE 301  
 COLORADO SPRINGS, COLORADO 80903  
 LORSON, BLVD. - WALLEYE DR.  
 COLORADO SPRINGS, COLORADO  
 CONTACT: JEFF MARK

DRAWN: RLS  
 DESIGNED: RLS  
 CHECKED: RLS

**HILLSIDE AT LORSON RANCH  
 OVERLOT FINAL GRADING AND  
 EROSION CONTROL PLAN**

DATE:  
 DEC 1, 2022  
 PROJECT NO.  
 100.065  
 SHEET NUMBER  
**C4.2**  
 TOTAL SHEETS: 20





- LEGEND**
- 5721 --- EXISTING/PROPOSED CURB/GUTTER
  - 5720 --- EXISTING MINOR CONTOUR
  - 5720 --- EXISTING MAJOR CONTOUR
  - 5720 --- PROPOSED CONTOUR
  - EXISTING STORM SEWER
  - PROPOSED STORM SEWER, INLETS, MANHOLES
  - (SF) --- PERIMETER EROSION CONTROL  
SILT FENCE, EROSION LOG, OR EARTH BERM
  - SUBDIVISION BOUNDARY
  - CONSTRUCTION BOUNDARY/LIMITS OF DISTURBANCE
  - P/L --- PROPERTY LINE OR TRACT LINE
  - ROW LINE
  - STORMWATER RUNOFF DIRECTION
  - X% --- SLOPE DIRECTION AND GRADE
  - CUT/FILL LINE
  - (VTC) --- VEHICLE TRACKING CONTROL
  - SAND BAG FOR STREET CURB/GUTTER IF NEEDED
  - (T) (G) (WO) --- LOT TYPE  
TRANSITION, GARDEN, WALK-OUT  
SEE DETAIL SHEET
  - (PS) --- PERMANENT SEEDING
  - (IP) --- INLET PROTECTION
  - (MU) --- MULCH
  - (DS2) --- UNLINED EARTHEN BERM  
BY CUT/FILL

**CORE ENGINEERING GROUP**  
 1500 S. AVENUE J.S.  
 SUITE 100, FLORENCE, CO 80606  
 PH: 719.570.1100  
 CONTACT: RICHARD L. SCHINDLER, P.E.  
 EMAIL: Rich@ceg1.com

DATE: \_\_\_\_\_  
 DESCRIPTION: \_\_\_\_\_  
 NO. \_\_\_\_\_  
 PREPARED FOR: **LORSON, LLC**  
 212 N. WAHSATCH AVE, SUITE 301  
 COLORADO SPRINGS, COLORADO 80903  
 PROJECT: **HILLSIDE AT LORSON RANCH**  
 LORSON BLVD. - WALLACE DR.  
 COLORADO SPRINGS, COLORADO  
 CONTACT: JEFF MARK

DRAWN: RLS  
 DESIGNED: RLS  
 CHECKED: RLS

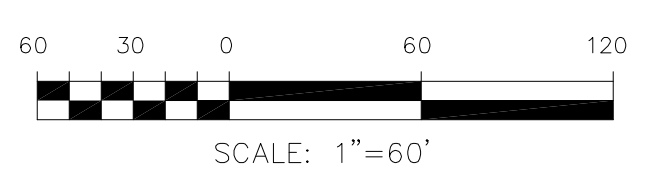
**HILLSIDE AT LORSON RANCH  
 OVERLOT FINAL GRADING AND  
 EROSION CONTROL PLAN**

DATE: DEC 1, 2022  
 PROJECT NO. 100.065  
 SHEET NUMBER **C4.3**  
 TOTAL SHEETS: 20

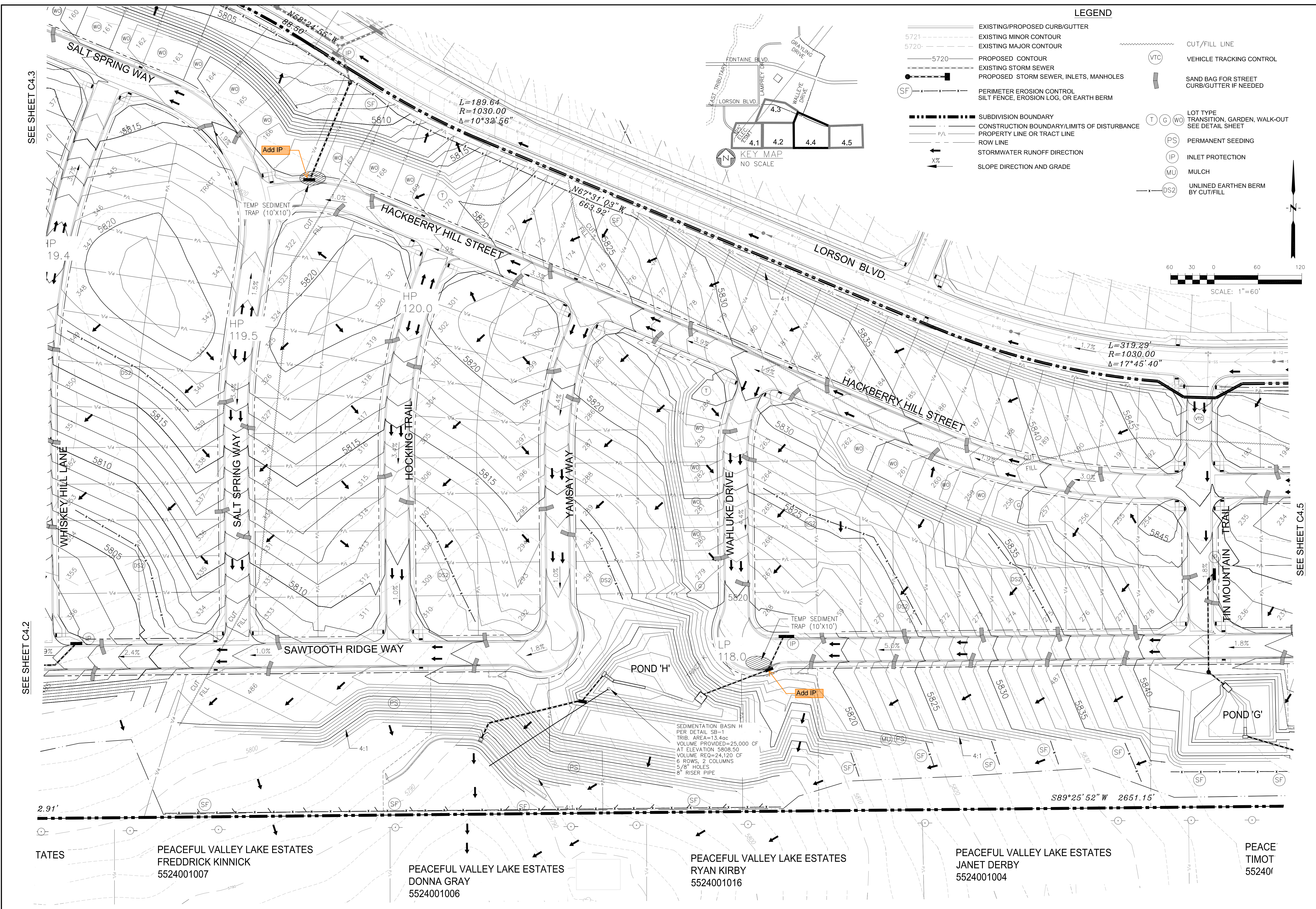
SEE SHEET C4.2

SEE SHEET C4.2

SEE SHEET C4.4

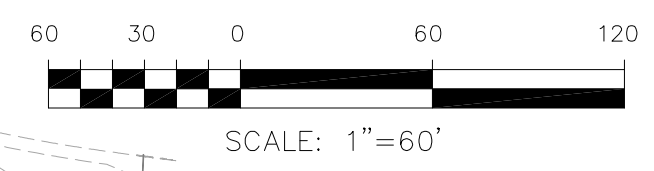






**LEGEND**

- 5721- EXISTING/PROPOSED CURB/GUTTER
- 5720- EXISTING MINOR CONTOUR
- 5720- EXISTING MAJOR CONTOUR
- 5720- PROPOSED CONTOUR
- EXISTING STORM SEWER
- PROPOSED STORM SEWER, INLETS, MANHOLES
- (SF) PERIMETER EROSION CONTROL  
SILT FENCE, EROSION LOG, OR EARTH BERM
- CUT/FILL LINE
- (VTC) VEHICLE TRACKING CONTROL
- SAND BAG FOR STREET CURB/GUTTER IF NEEDED
- (T) (G) (WO) LOT TYPE  
TRANSITION, GARDEN, WALK-OUT  
SEE DETAIL SHEET
- (PS) PERMANENT SEEDING
- (IP) INLET PROTECTION
- (MU) MULCH
- (DS2) UNLINED EARTHEN BERM  
BY CUT/FILL
- SUBDIVISION BOUNDARY
- CONSTRUCTION BOUNDARY/LIMITS OF DISTURBANCE
- P/L PROPERTY LINE OR TRACT LINE
- ROW LINE
- STORMWATER RUNOFF DIRECTION
- X% SLOPE DIRECTION AND GRADE



SEDIMENTATION BASIN H  
PER DETAIL S3-1  
TRIB. AREA=13.4ac  
VOLUME PROVIDED=25,000 CF  
AT ELEVATION 5808.50  
VOLUME REQ=24,120 CF  
6 ROWS, 2 COLUMNS  
5'8" HOLES  
8" RISER PIPE

**CORE ENGINEERING GROUP**  
1500S 151ST AVENUE S.  
DENVER, CO 80202  
PH: 719.570.1100  
CONTACT: RICHARD L. SCHINDLER, P.E.  
EMAIL: Rich@ceg1.com

DATE: \_\_\_\_\_  
DESCRIPTION: \_\_\_\_\_  
NO. \_\_\_\_\_  
PROJECT: HILLSIDE AT LORSON RANCH  
PREPARED FOR: LORSON, LLC  
212 N. WAHSATCH AVE, SUITE 301  
COLORADO SPRINGS, COLORADO 80903  
LORSON BLVD. - WALLEYE DR.  
COLORADO SPRINGS, COLORADO  
CONTACT: JEFF MARK

DRAWN: RLS  
DESIGNED: RLS  
CHECKED: RLS

**HILLSIDE AT LORSON RANCH AND  
OVERLOT FINAL GRADING AND  
EROSION CONTROL PLAN**

DATE: DEC 1, 2022  
PROJECT NO. 100.065  
SHEET NUMBER C4.4  
TOTAL SHEETS: 20

SEE SHEET C4.3

SEE SHEET C4.2

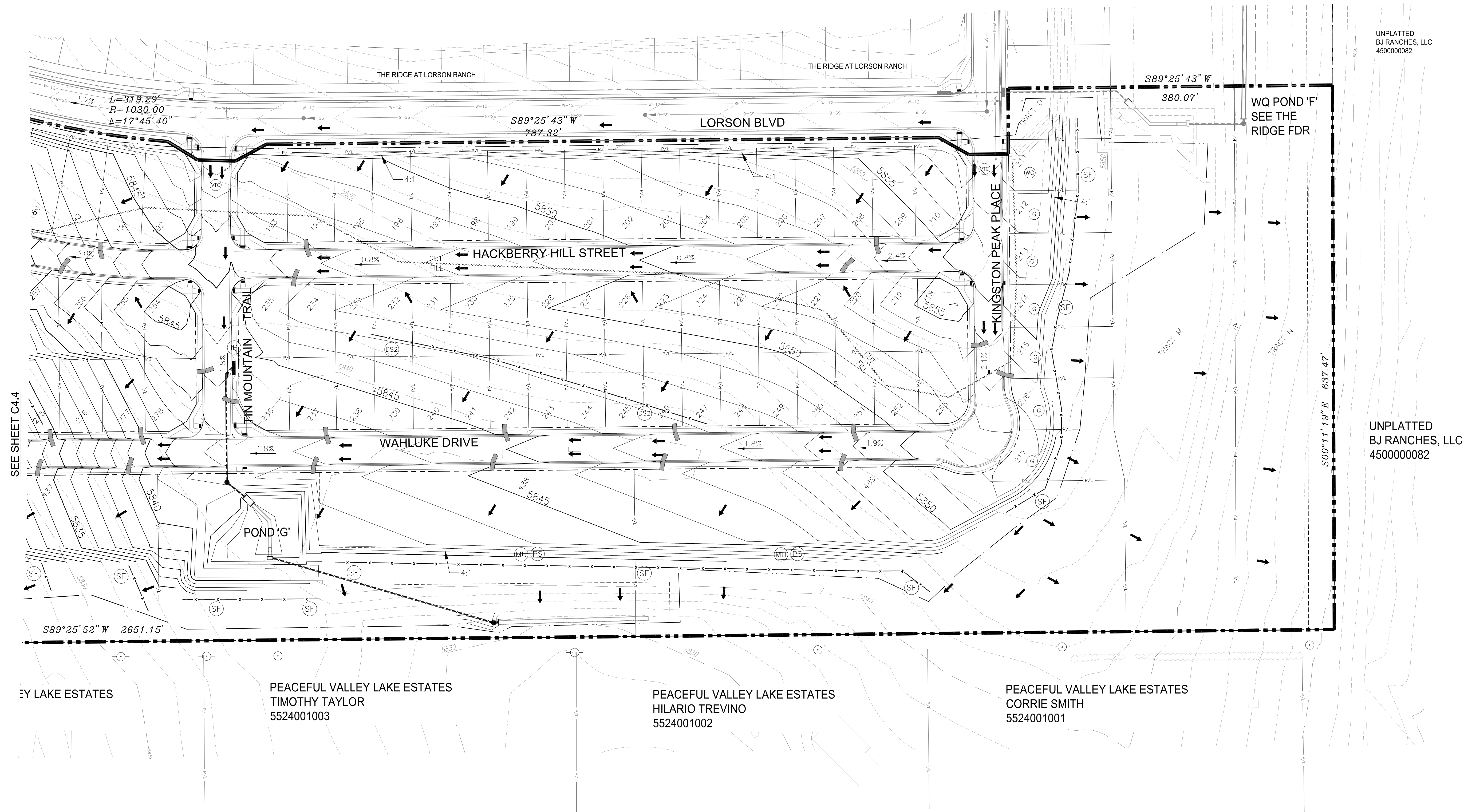
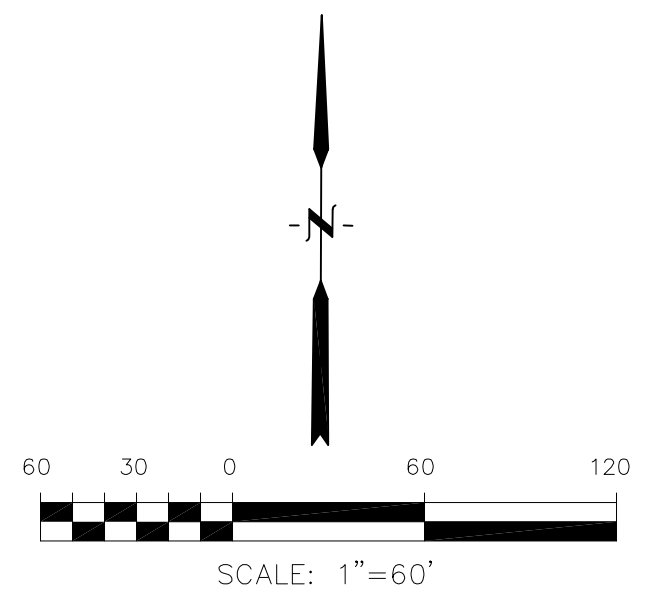
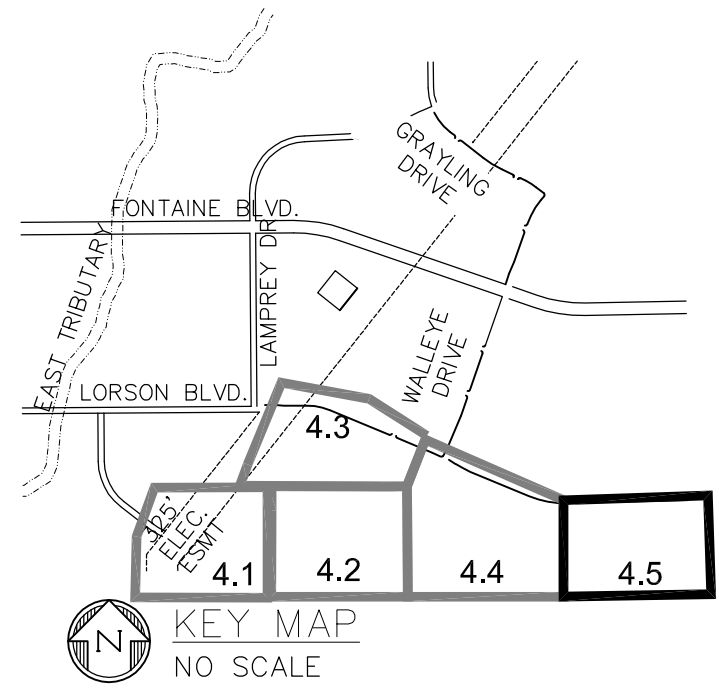
SEE SHEET C4.5

TATES  
PEACEFUL VALLEY LAKE ESTATES  
FREDDRICK KINNICK  
5524001007  
PEACEFUL VALLEY LAKE ESTATES  
DONNA GRAY  
5524001006  
PEACEFUL VALLEY LAKE ESTATES  
RYAN KIRBY  
5524001016  
PEACEFUL VALLEY LAKE ESTATES  
JANET DERBY  
5524001004  
PEACE  
TIMOT  
552401



**LEGEND**

- EXISTING/PROPOSED CURB/GUTTER
- 5721- - - - - EXISTING MINOR CONTOUR
- 5720- - - - - EXISTING MAJOR CONTOUR
- 5720 — PROPOSED CONTOUR
- - - - - EXISTING STORM SEWER
- PROPOSED STORM SEWER, INLETS, MANHOLES
- (SF) — PERIMETER EROSION CONTROL  
SILT FENCE, EROSION LOG, OR EARTH BERM
- SUBDIVISION BOUNDARY
- - - - - CONSTRUCTION BOUNDARY/LIMITS OF DISTURBANCE
- P/L — PROPERTY LINE OR TRACT LINE
- ROW LINE
- ← X% — STORMWATER RUNOFF DIRECTION
- ← X% — SLOPE DIRECTION AND GRADE
- CUT/FILL LINE
- (VTC) — VEHICLE TRACKING CONTROL
- SAND BAG FOR STREET CURB/GUTTER IF NEEDED
- (T) (G) (WO) — LOT TYPE  
TRANSITION, GARDEN, WALK-OUT  
SEE DETAIL SHEET
- (PS) — PERMANENT SEEDING
- (IP) — INLET PROTECTION
- (MU) — MULCH
- (DS2) — UNLINED EARTHEN BERM  
BY CUT/FILL



**CORE ENGINEERING GROUP**  
 1500 S. AVENUE S.  
 SUITE 100  
 PH: 719.570.1100  
 CONTACT: RICHARD L. SCHINDLER, P.E.  
 EMAIL: Rich@ceg1.com

DATE: \_\_\_\_\_  
 DESCRIPTION: \_\_\_\_\_  
 NO. \_\_\_\_\_  
 DRAWN: RLS  
 DESIGNED: RLS  
 CHECKED: RLS

PROJECT: HILLSIDE AT LORSON RANCH  
 LORSON, LLC  
 212 N. WAHSATCH AVE, SUITE 301  
 COLORADO SPRINGS, COLORADO 80903  
 (719) 635-3200  
 CONTACT: JEFF MARK

UNPLATTED BJ RANCHES, LLC 4500000082

**HILLSIDE AT LORSON RANCH AND OVERLOT FINAL GRADING AND EROSION CONTROL PLAN**

DATE: DEC 1, 2022  
 PROJECT NO. 100.065  
 SHEET NUMBER C4.5  
 TOTAL SHEETS: 20

SEE SHEET C4.4

PEACEFUL VALLEY LAKE ESTATES  
 TIMOTHY TAYLOR  
 5524001003

PEACEFUL VALLEY LAKE ESTATES  
 HILARIO TREVINO  
 5524001002

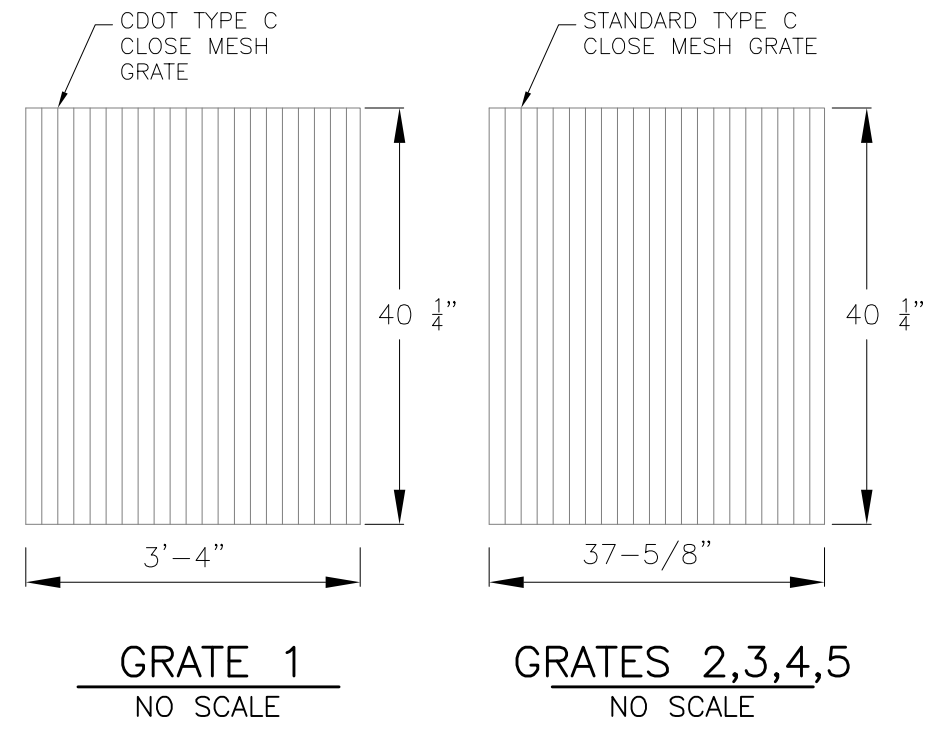
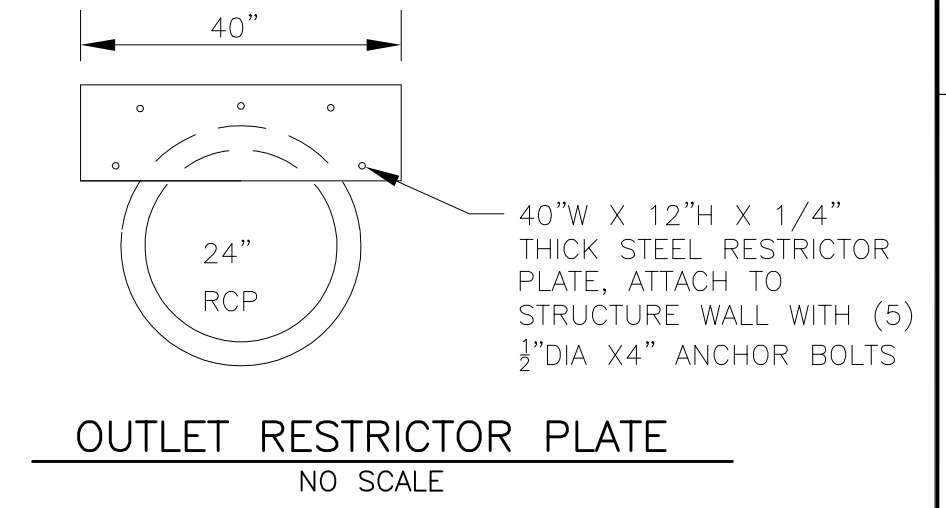
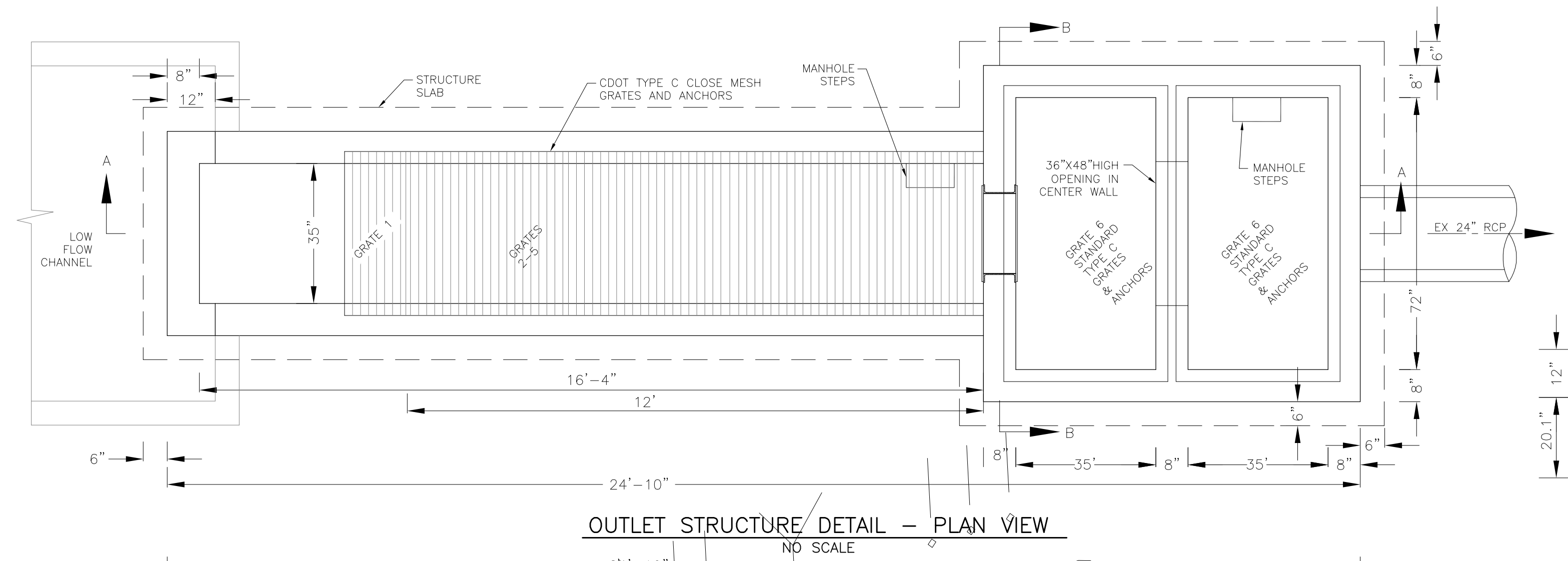
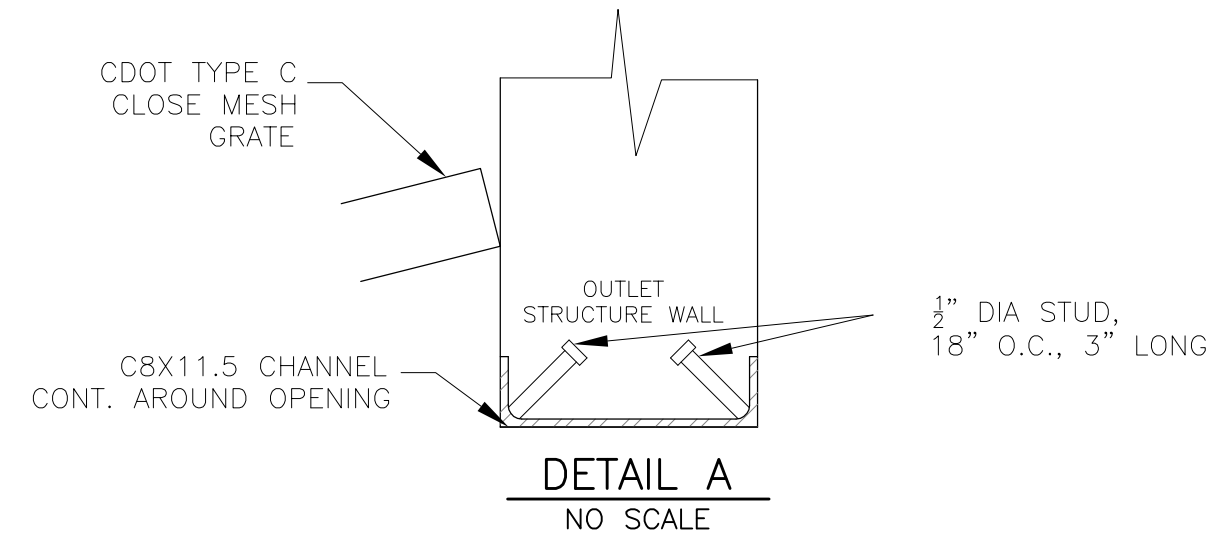
PEACEFUL VALLEY LAKE ESTATES  
 CORRIE SMITH  
 5524001001











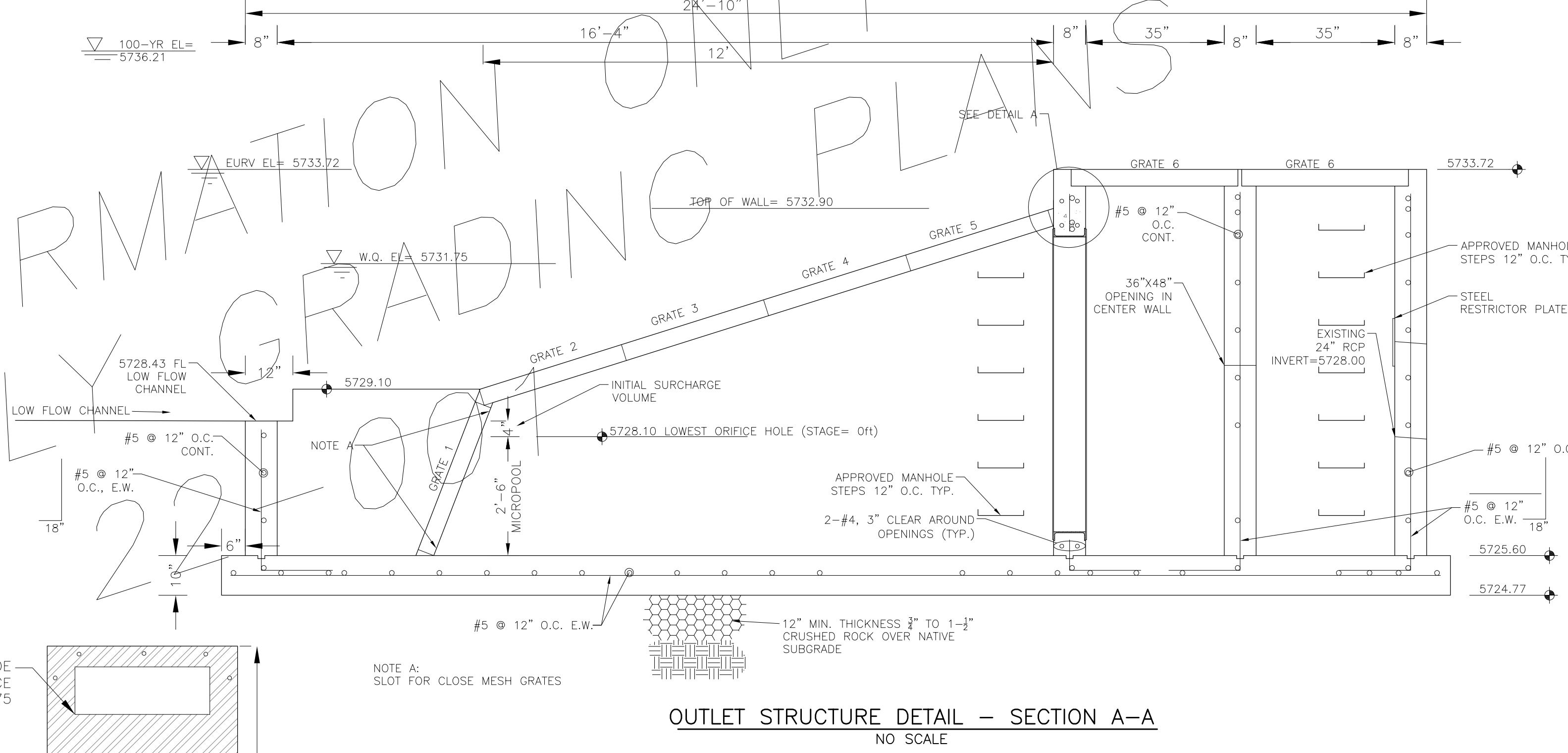
GRATE 1  
NO SCALE



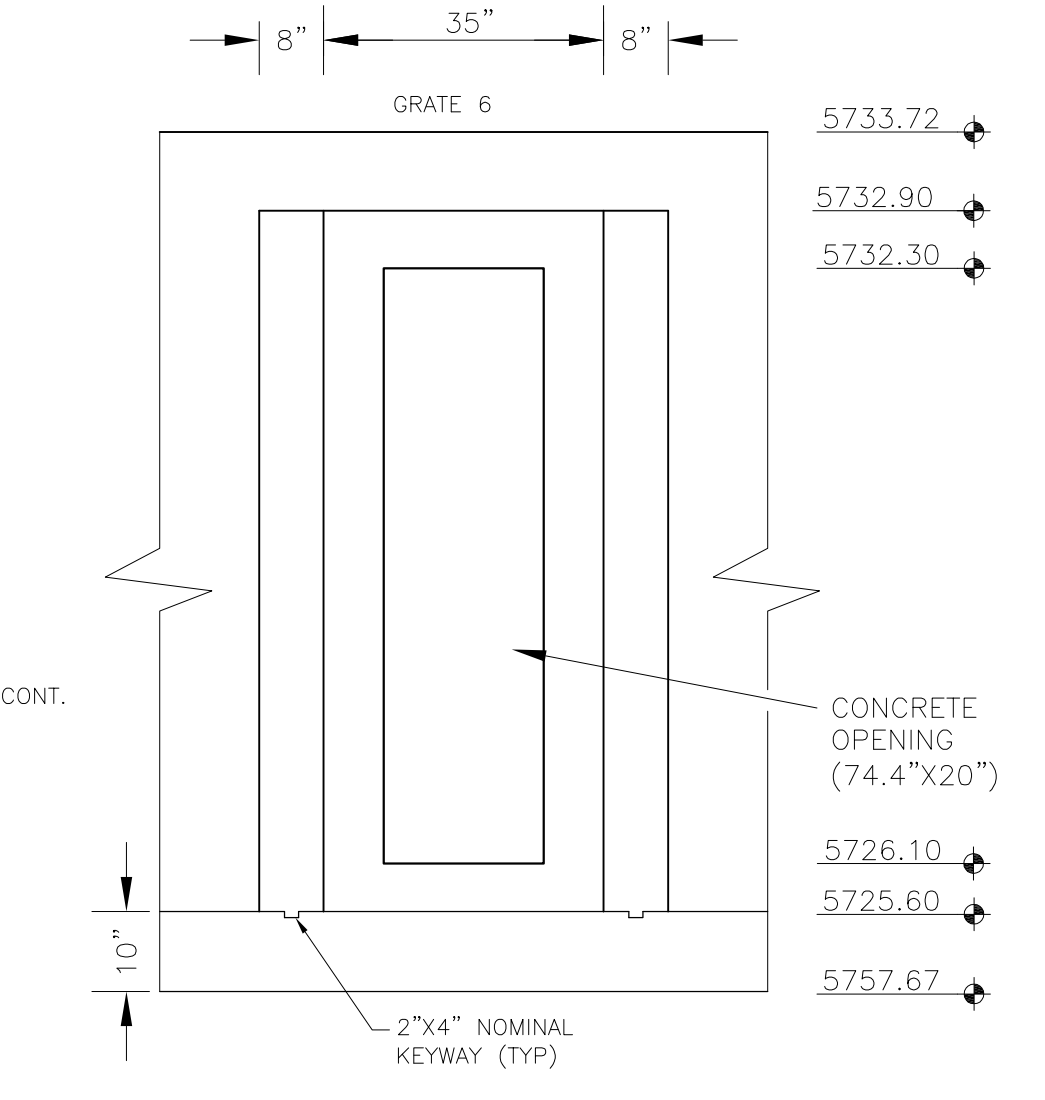
GRATES 2,3,4,5  
NO SCALE

FOR INFORMATION ONLY GRADING PLANS

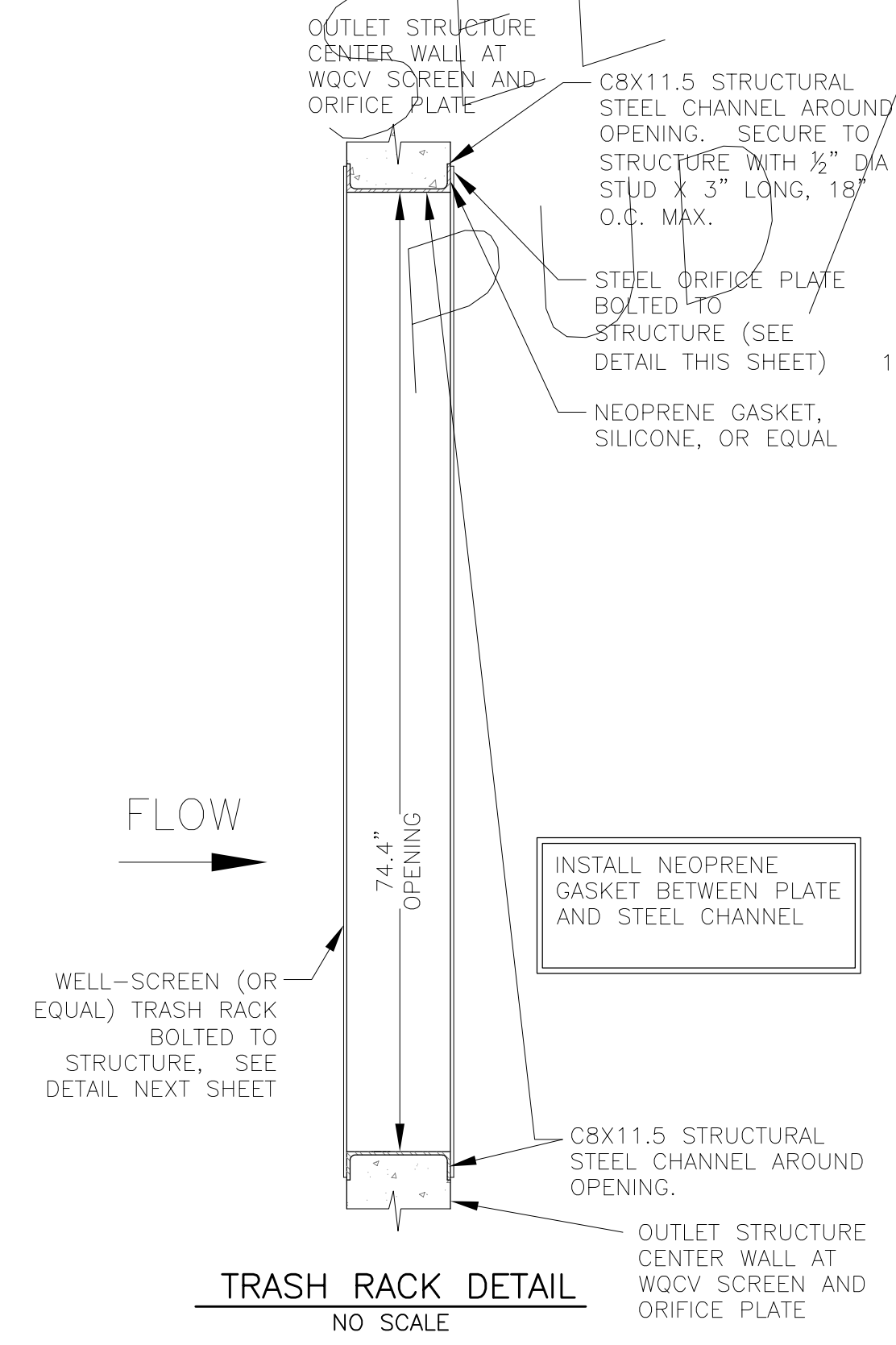
SEE EARLY SP 22



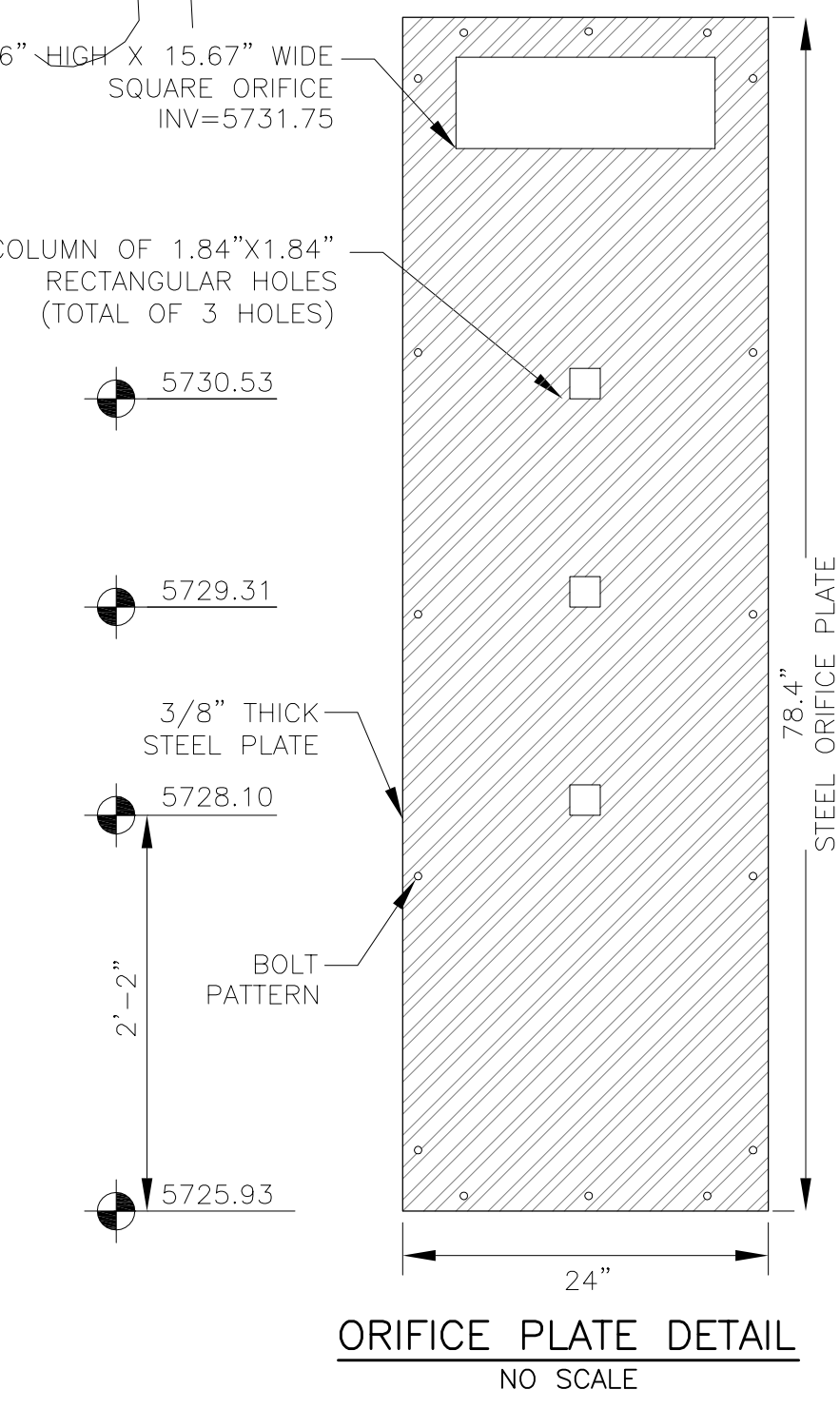
OUTLET STRUCTURE DETAIL - SECTION A-A  
NO SCALE



OUTLET STRUCTURE DETAIL - SECTION B-B  
NO SCALE



TRASH RACK DETAIL  
NO SCALE



ORIFICE PLATE DETAIL  
NO SCALE

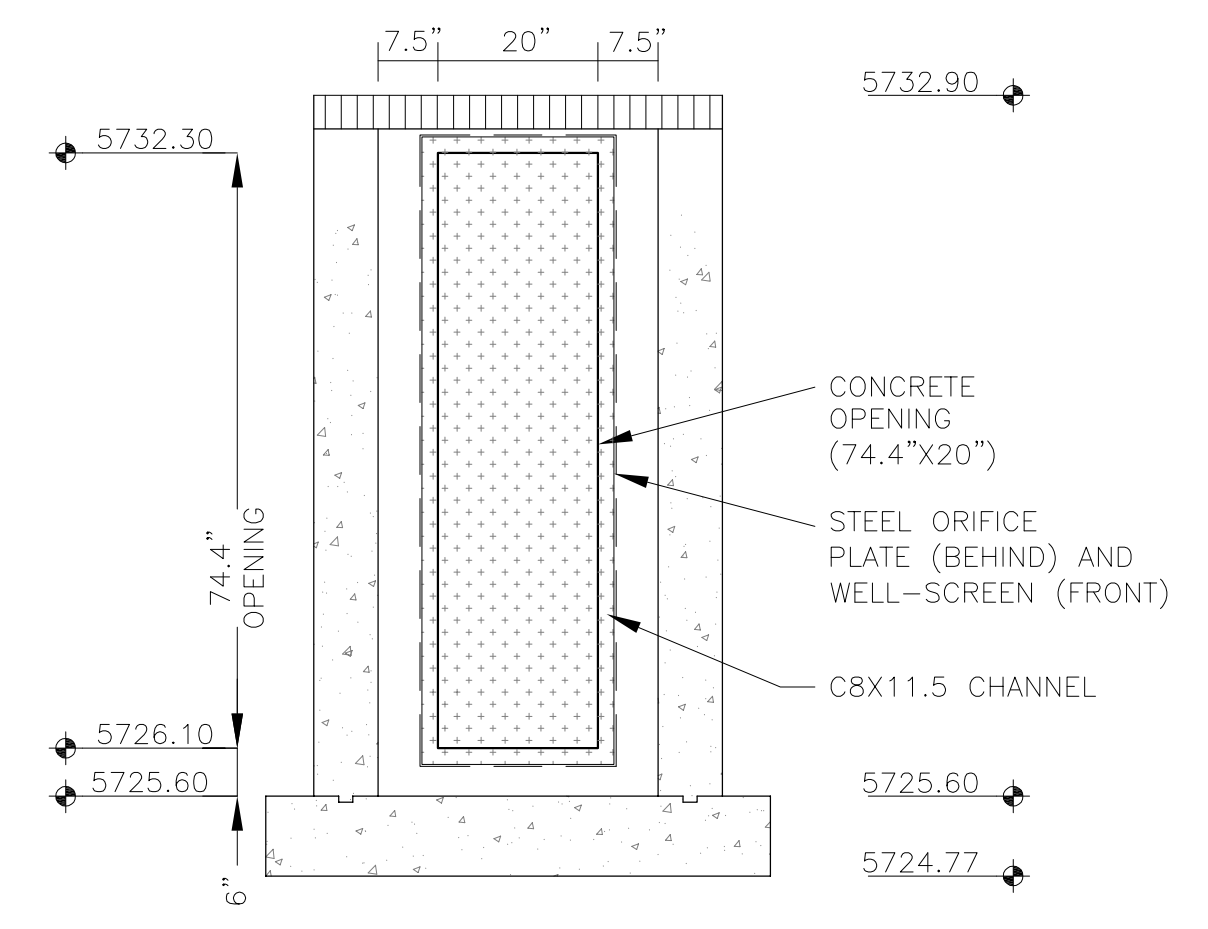
OUTLET STRUCTURE, FOREBAY, AND DRAIN CHANNEL NOTES:

- PRIOR TO CONSTRUCTION, CONTRACTOR SHALL PROVIDE SHOP DRAWINGS FOR ALL COMPONENTS OF THE OUTLET STRUCTURE.
- GRADE 60 REINFORCING STEEL REQUIRED. SEE TABLE FOR THE MINIMUM LAP SPLICE LENGTH FOR REINFORCING BARS. ALL REINFORCING STEEL SHALL HAVE A TWO-INCH MINIMUM CLEARANCE FROM EDGE OF CONCRETE, UNLESS OTHERWISE NOTED.
- CONCRETE FOR THE OUTLET STRUCTURE AND FOREBAY SHALL BE CDOT CLASS D CONCRETE.
- CONCRETE FOR DRAIN CHANNELS SHALL BE CDOT CLASS B CONCRETE.
- EXPANSION JOINT MATERIAL SHALL MEET AASHTO SPECIFICATION M-213. EXPANSION JOINT MATERIAL SHALL BE 1/2" THICK, SHALL EXTEND THE FULL DEPTH OF CONTACT SURFACE AND THE JOINT SHALL BE SEALED, REFER TO DETAILS.
- ALL EXPOSED CONCRETE CORNERS SHALL HAVE A 3/8" CHAMFER UNLESS OTHERWISE NOTED.
- SUBGRADE TO BE 12" THICK CLEAN FILL COMPACTED TO 95% STANDARD PROCTOR DENSITY PER ASTM M698 UNDER STRUCTURE.
- REFER TO POND DETAILS FOR PRESEDIMENTATION/FOREBAY DESIGN.
- ENGINEER SHALL BE NOTIFIED PRIOR TO BEGINNING CONSTRUCTION OF OUTLET STRUCTURE TO SCHEDULE OBSERVATION VISITS FOR STRUCTURES.

BAR SIZE	#4	#5	#6
MIN. SPLICE LENGTH	1'-3"	1'-7"	2'-0"

WQCV WELL-SCREEN NOTES:

- Well-Screen shall be stainless steel and attached by stainless steel bolts along edge of the mounting frame.
- WQCV Well Screen
  - Type of Screen: Stainless steel #93 Vee Wire (Johnson Vee Wire (tm) Stainless Steel Screen or equivalent with 60% open area)
  - Screen slot opening dimension: 0.139" (Screen #93 Vee Wire Slot Opening)
  - Type and Size of Support Rod: TE 0.074"x0.50"
  - Spacing of Support Rod (O.C.): 1.0 Inch
  - Total Screen Thickness: 0.655"
  - Carbon Steel Holding Frame Type: 3/4" x 1.0" angle



OUTLET STRUCTURE DETAIL - SECTION B-B  
NO SCALE

**CORE**  
**ENGINEERING GROUP**  
15004 1ST AVENUE S.  
PH: 719.570.5506  
PH: 719.570.1100  
CONTACT: RICHARD L. SCHINDLER, P.E.  
EMAIL: Rich@cog1.com

DATE: \_\_\_\_\_  
DESCRIPTION: \_\_\_\_\_  
NO: \_\_\_\_\_  
PREPARED FOR: **LORSON, LLC**  
212 N. WAHSATCH AVE, SUITE 301  
COLORADO SPRINGS, COLORADO 80903  
CONTACT: JEFF MARK

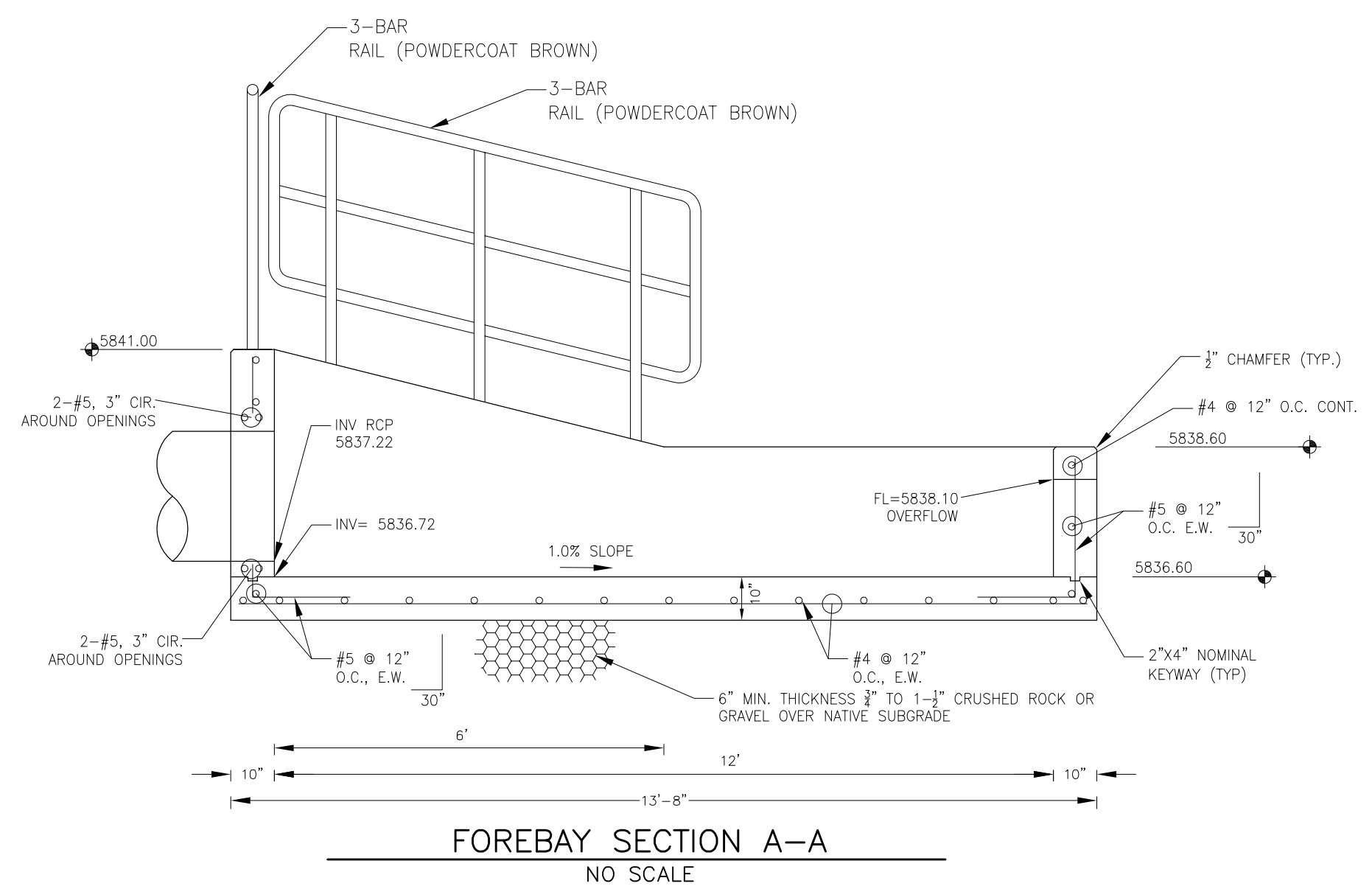
DRAWN: RLS  
DESIGNED: RLS  
CHECKED: RLS

PROJECT: **HILLSIDE AT LORSON RANCH**  
LORSON BLVD. - WALLEYE DR.  
COLORADO SPRINGS, COLORADO

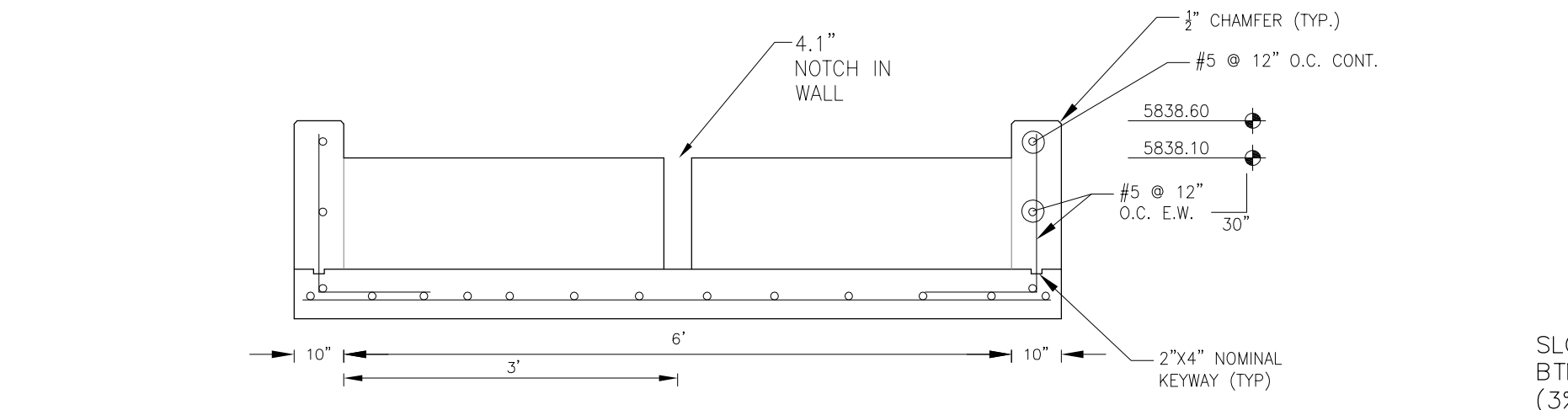
**POND E1**  
**FULL SPECTRUM / WQ POND**  
**OUTLET STRUCTURE DETAILS**

DATE: **DEC 1, 2022**  
PROJECT NO: **100.065**  
SHEET NUMBER: **C9.3**  
TOTAL SHEETS: 20

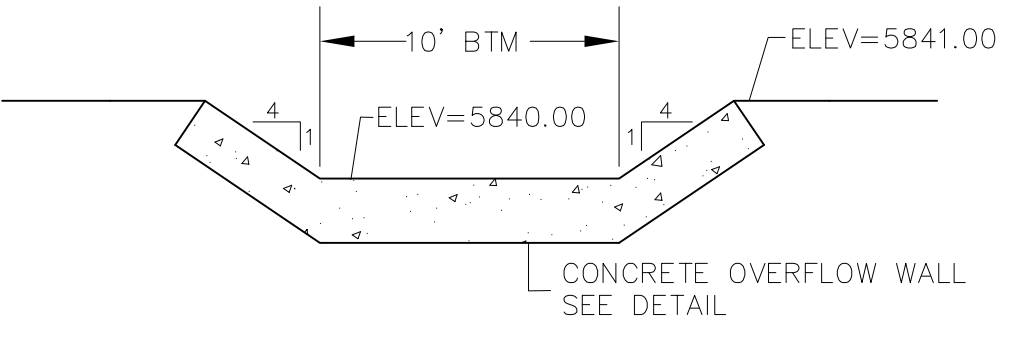




FOREBAY SECTION A-A  
NO SCALE

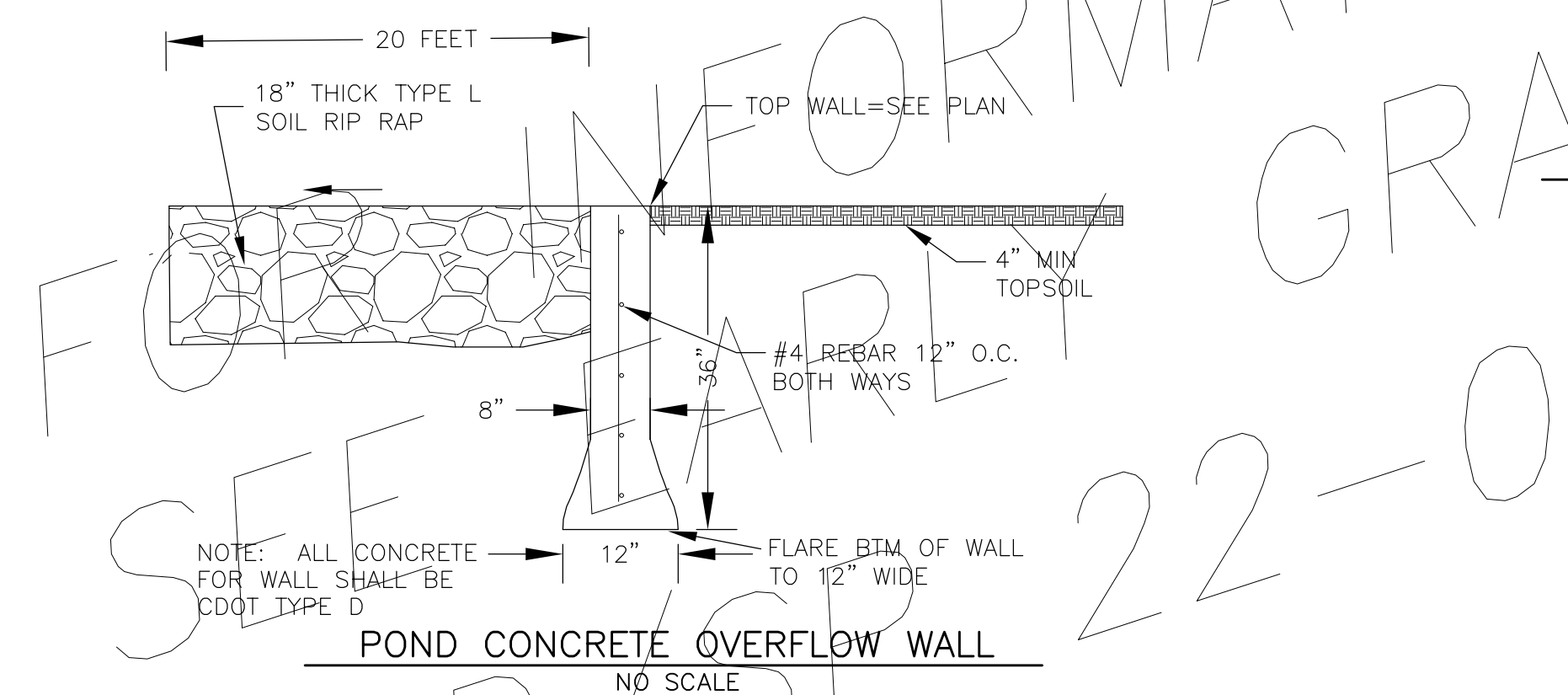


FOREBAY SECTION B-B  
NO SCALE

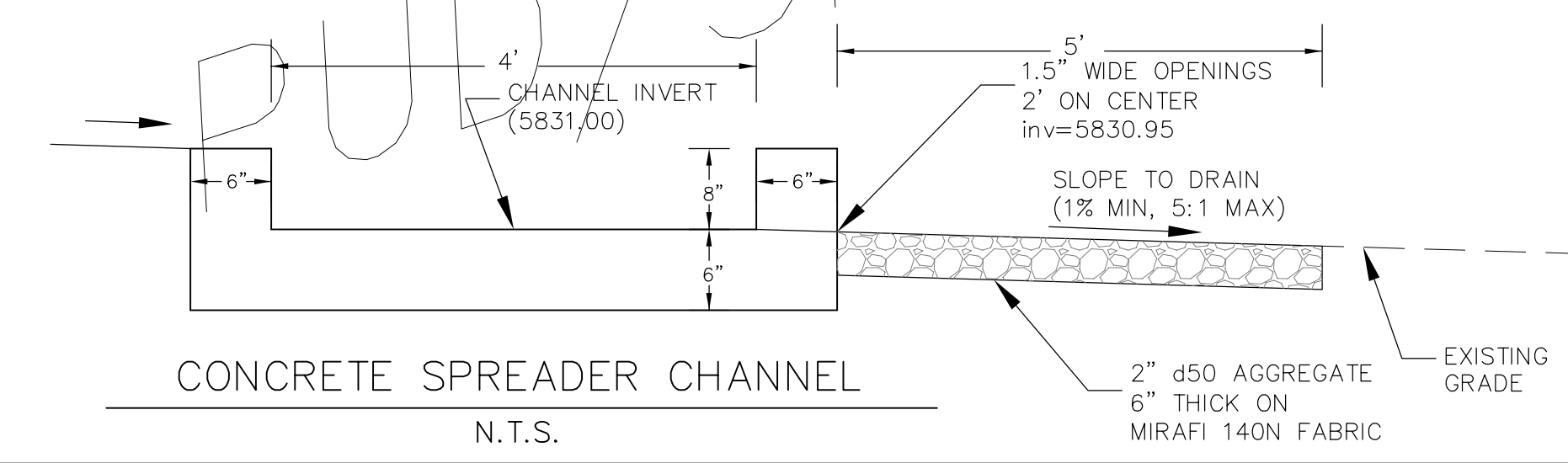


WQ POND G  
EMERGENCY OVERFLOW  
PROFILE  
SCALE: N.T.S.

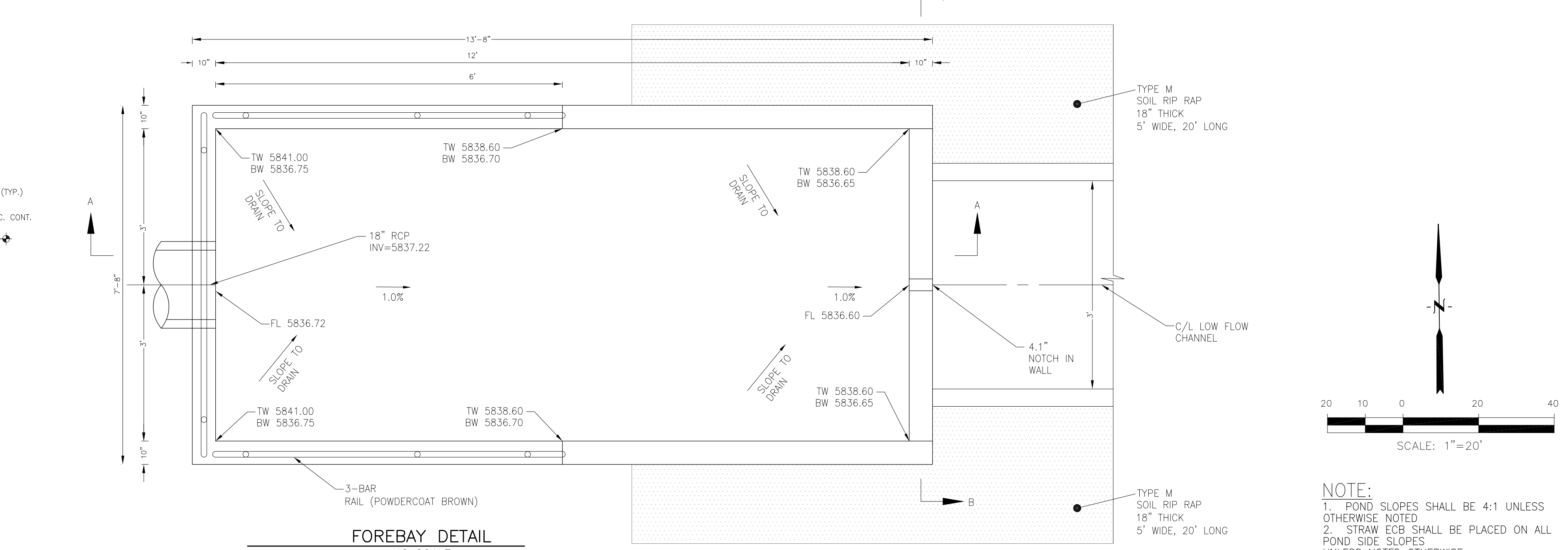
POND G  
EMERGENCY OVERFLOW  
BTM=5840.00, TOP=5841.00  
WIDTH=10', 4:1 SIDE SLOPES  
FLOW DEPTH=0.50', Q100=12.5cfs



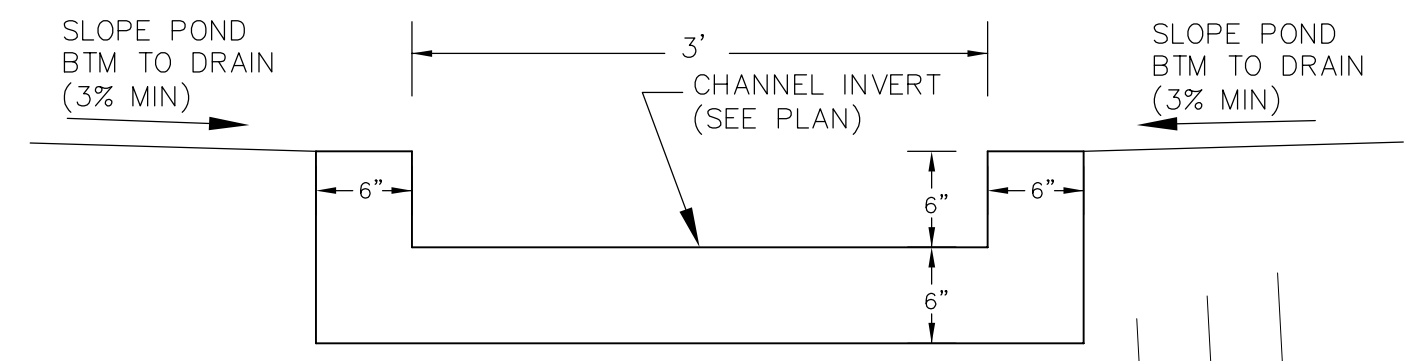
POND CONCRETE OVERFLOW WALL  
NO SCALE



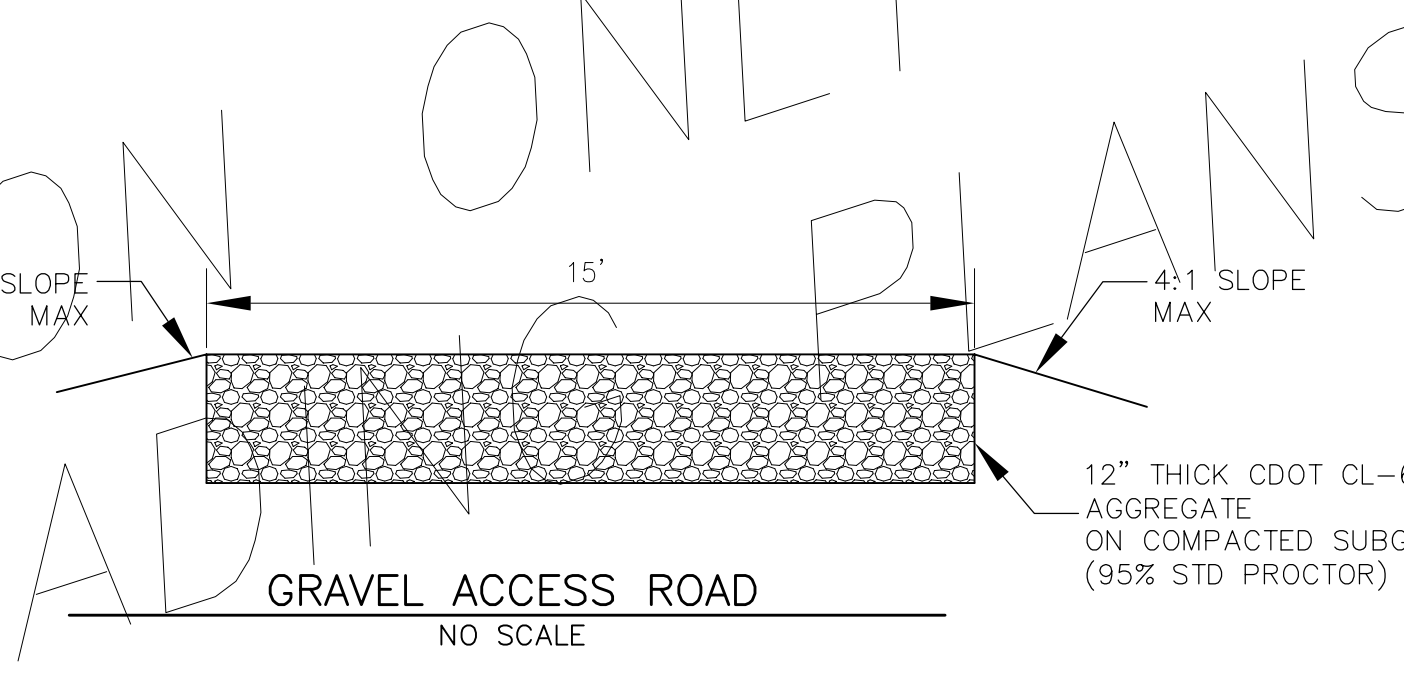
CONCRETE SPREADER CHANNEL  
N.T.S.



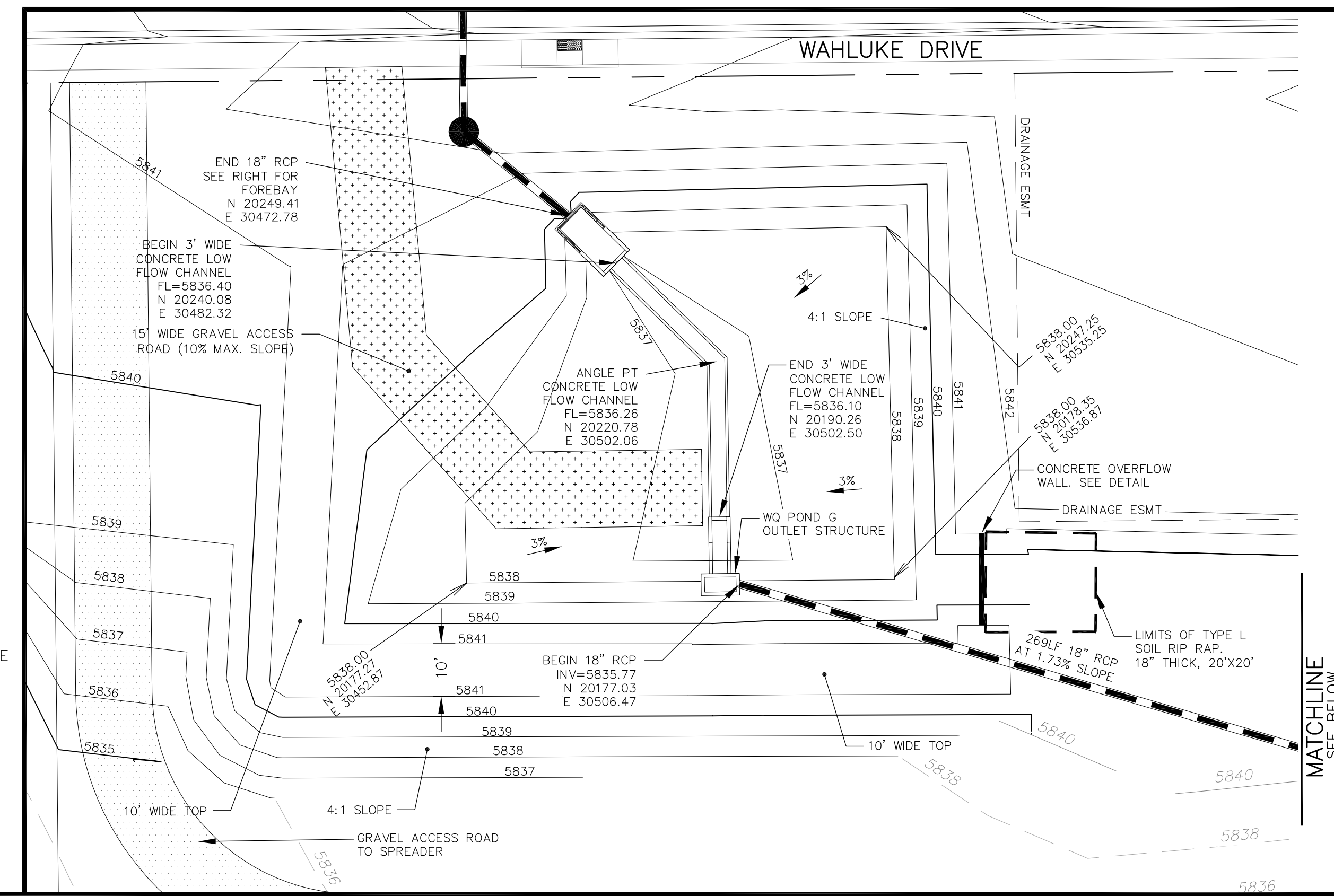
FOREBAY DETAIL  
NO SCALE



CONCRETE LOW FLOW CHANNEL  
N.T.S.



GRAVEL ACCESS ROAD  
NO SCALE



NO.	1.	MODIFY CONCRETE SPREADER CHANNEL
	DATE	NOV. 30, 2021
PROJECT	HILLSIDE AT LORSON RANCH	
PREPARED FOR:	LORSON, LLC 212 N. WAHSATCH AVE, SUITE 301 COLORADO SPRINGS, COLORADO 80903	
DESIGNED BY:	R.L.S.	
CHECKED BY:	R.L.S.	
DRAWN BY:	R.L.S.	
DATE:	NOV. 30, 2021	
PROJECT NO.	100.065	
SHEET NUMBER	C9.4	
TOTAL SHEETS:	20	

**CORE**  
**ENGINEERING GROUP**  
1500R 151ST AVENUE, SUITE 306  
PH: 719.570.1100  
CONTACT: RICHARD L. SCHINDLER, P.E.  
EMAIL: Rich@eg1.com

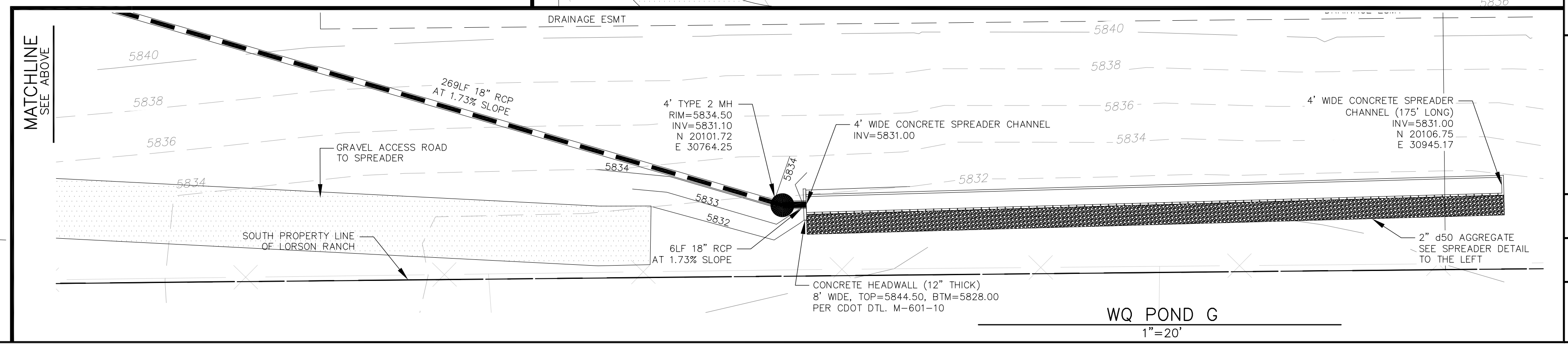
**POND G**  
**POND DETAILS**  
**AND TRICKLE CHANNEL**

FORMATION ONLY PLANS  
GRADIENT  
22-001

SEE PURSUANT TO

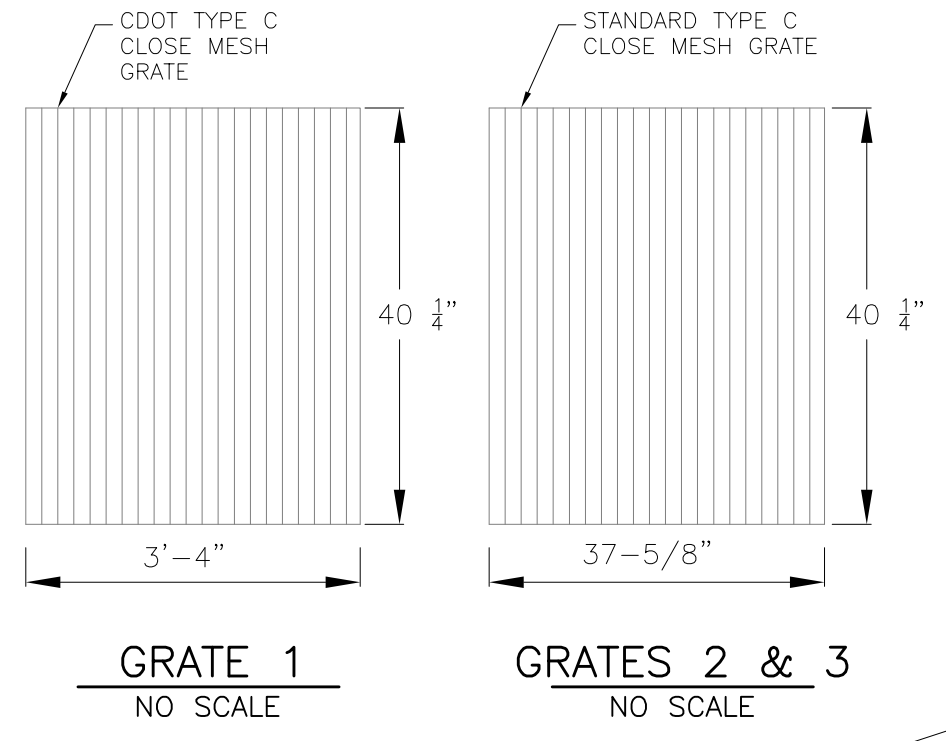
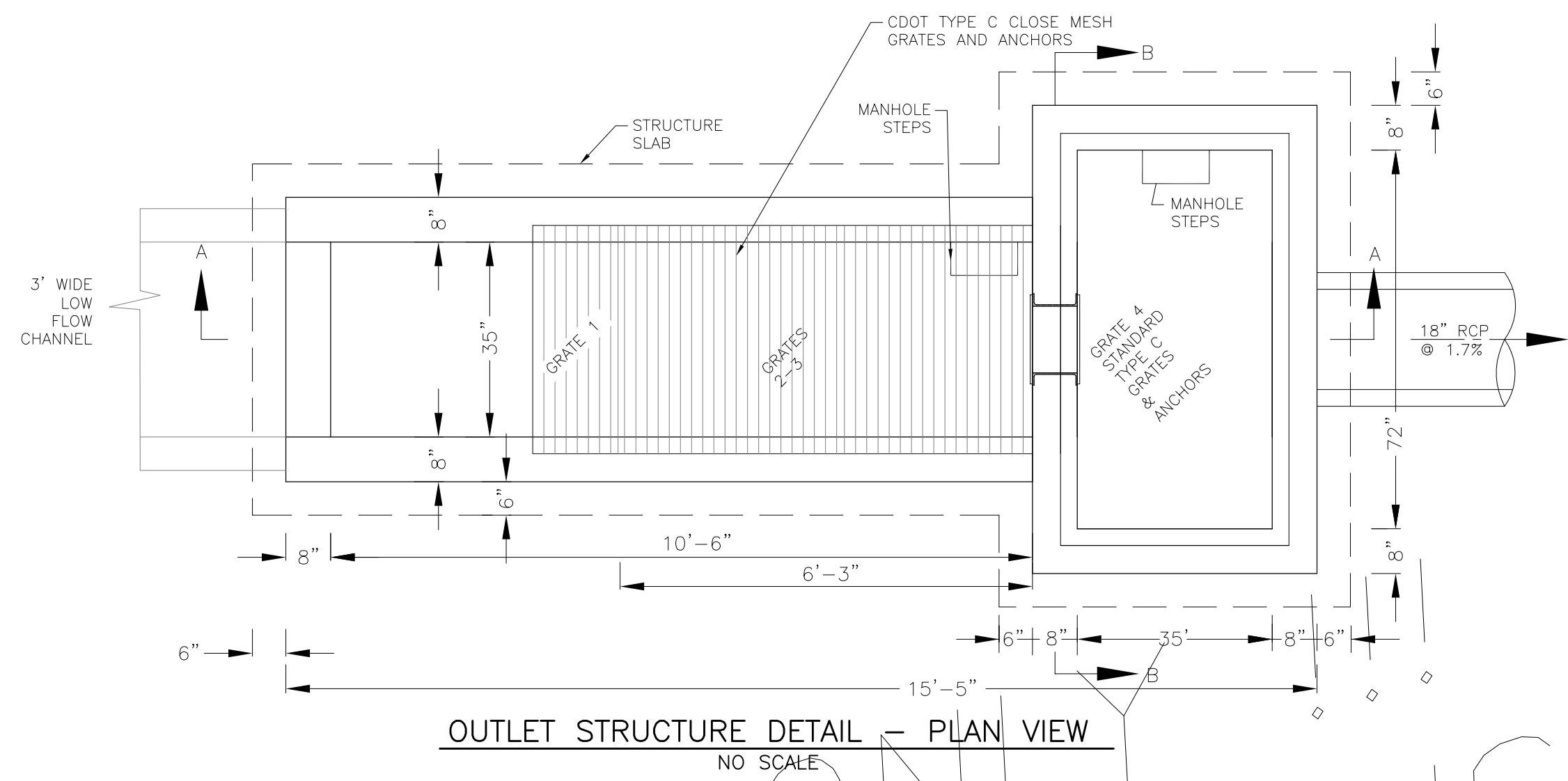
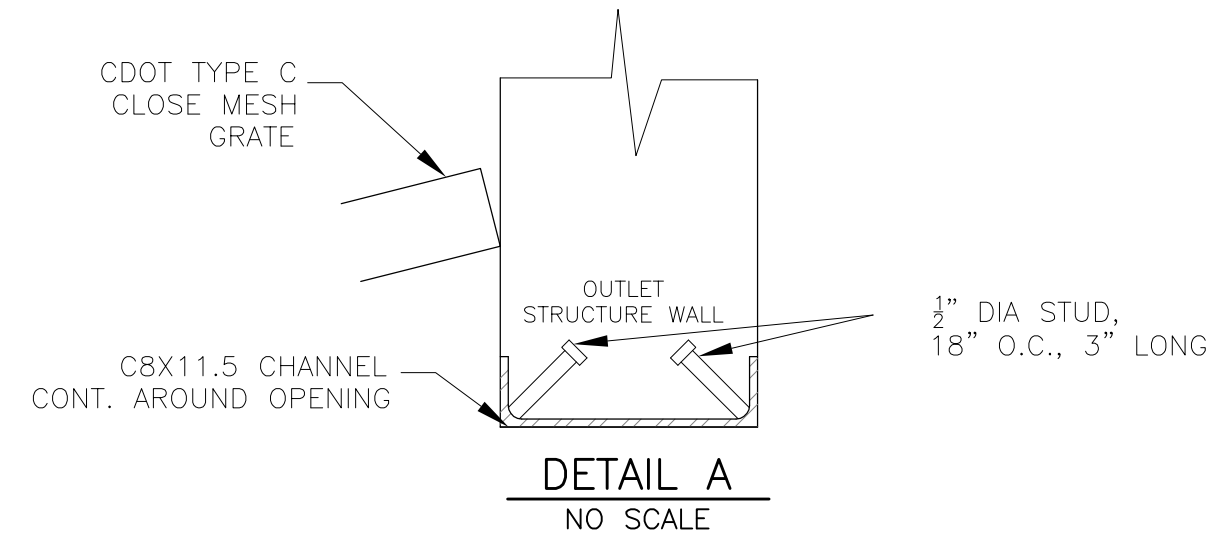
MATCHLINE SEE ABOVE

MATCHLINE SEE BELOW

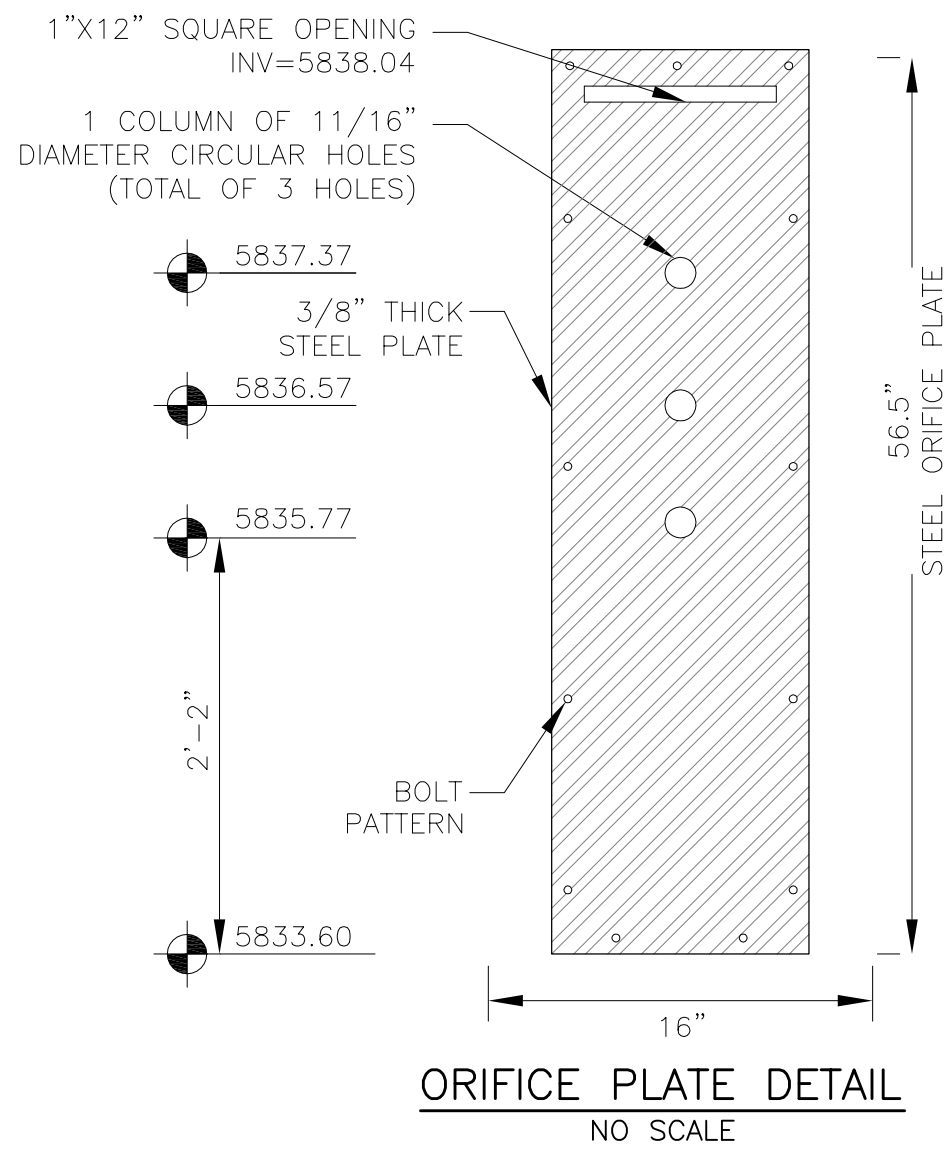
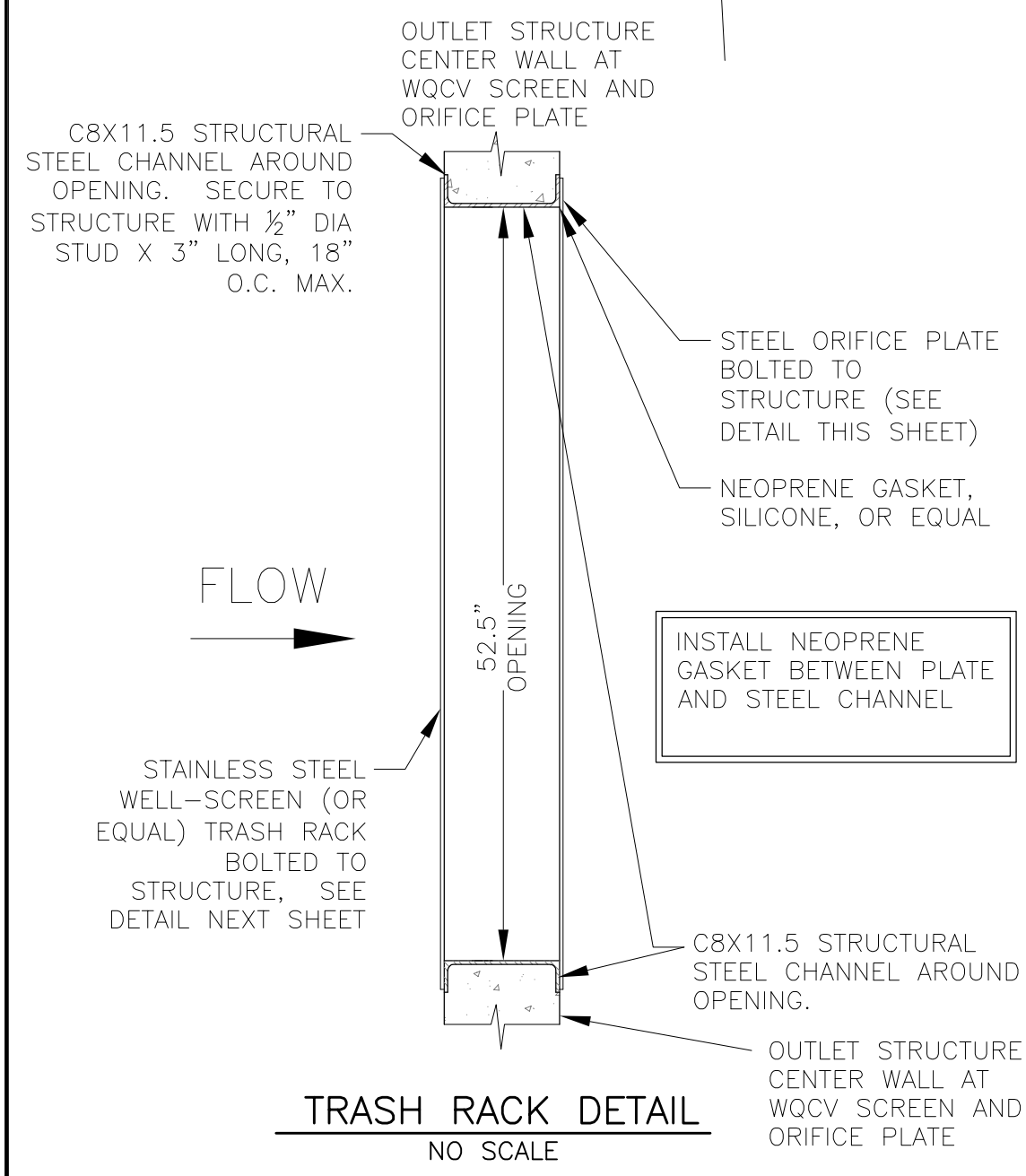
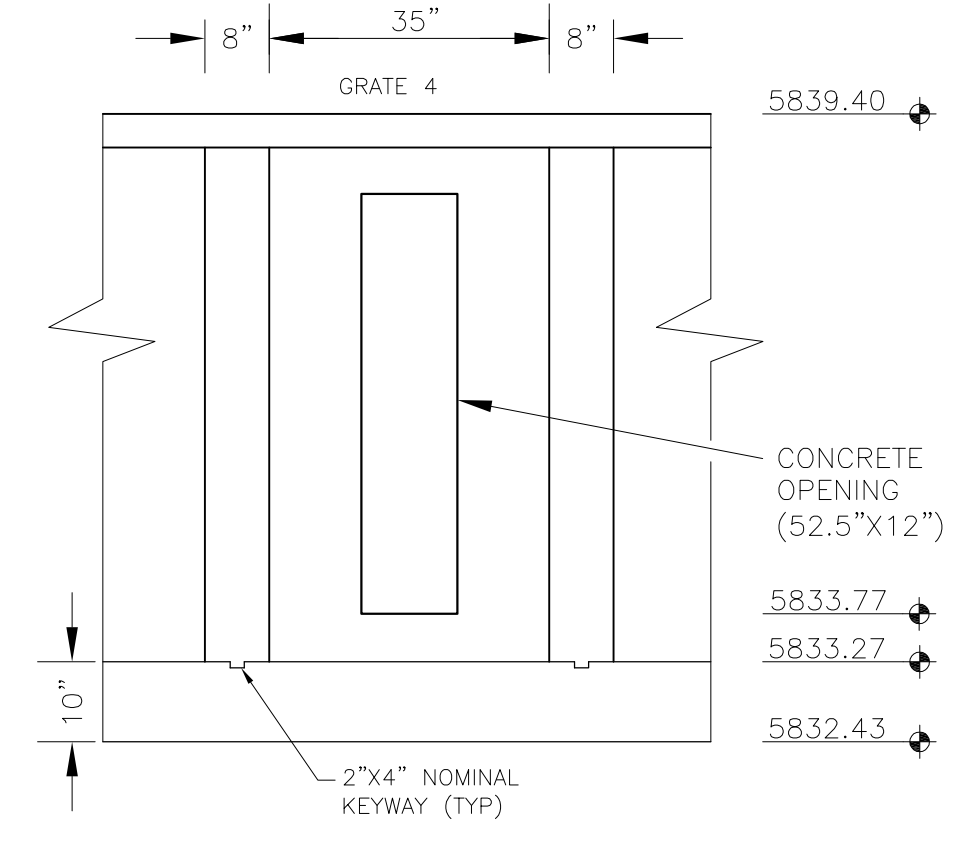
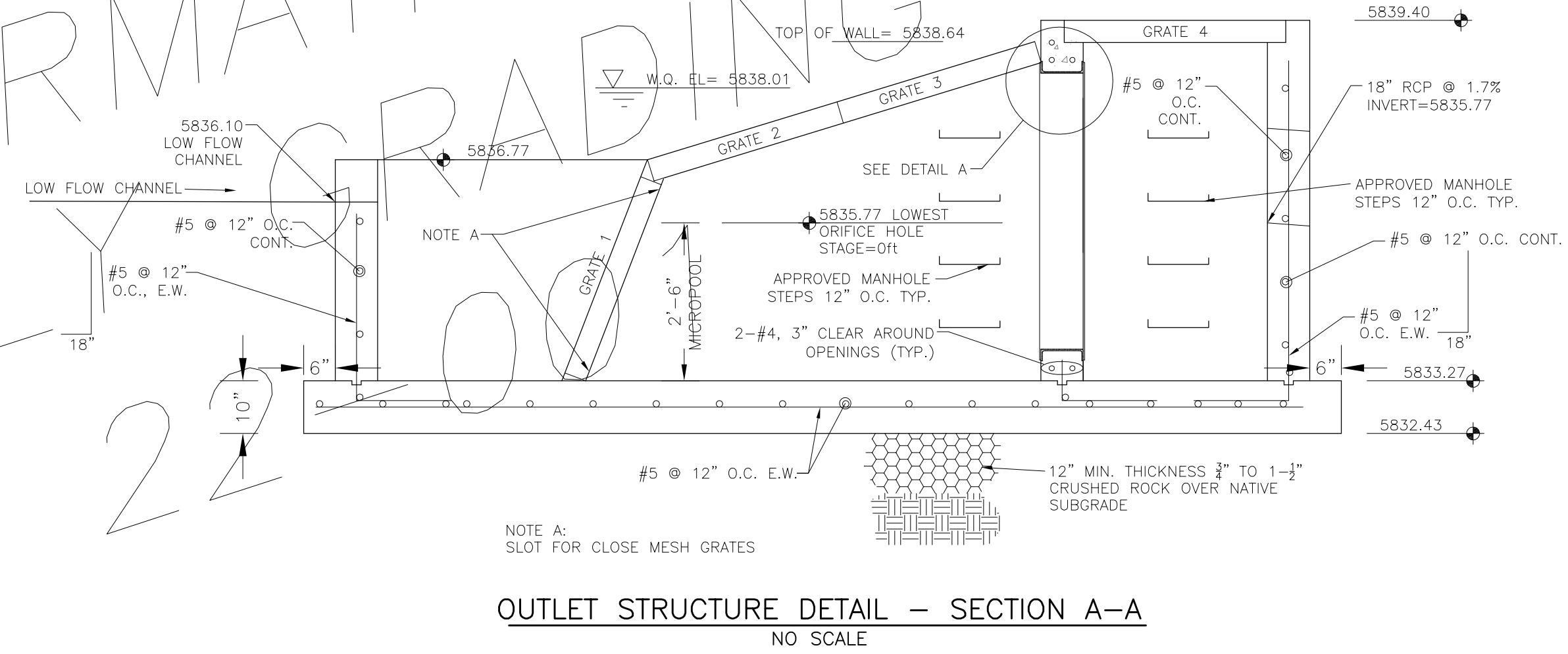


WQ POND G  
1"=20'





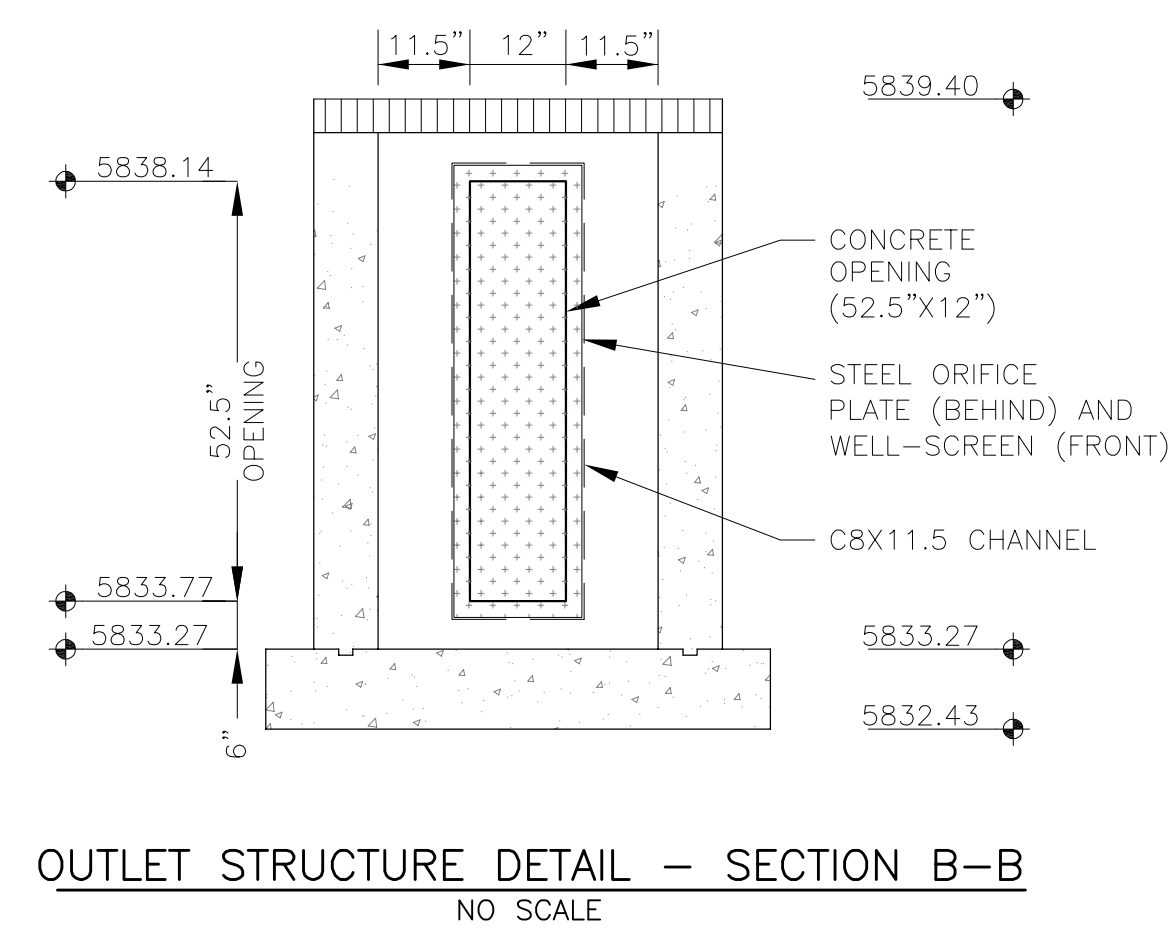
FOR INFORMATION ONLY  
SEE EARLY GRADING PLANS  
PUD/SP 22



**OUTLET STRUCTURE, FOREBAY, AND DRAIN CHANNEL NOTES:**

- PRIOR TO CONSTRUCTION, CONTRACTOR SHALL PROVIDE SHOP DRAWINGS FOR ALL COMPONENTS OF THE OUTLET STRUCTURE.
  - GRADE 60 REINFORCING STEEL REQUIRED. SEE TABLE FOR THE MINIMUM LAP SPLICE LENGTH FOR REINFORCING BARS. ALL REINFORCING STEEL SHALL HAVE A TWO-INCH MINIMUM CLEARANCE FROM EDGE OF CONCRETE, UNLESS OTHERWISE NOTED.
- | BAR SIZE           | #4    | #5    | #6    |
|--------------------|-------|-------|-------|
| MIN. SPLICE LENGTH | 1'-3" | 1'-7" | 2'-0" |
- CONCRETE FOR THE OUTLET STRUCTURE AND FOREBAY SHALL BE CDOT CLASS D CONCRETE.
  - CONCRETE FOR DRAIN CHANNELS SHALL BE CDOT CLASS B CONCRETE
  - EXPANSION JOINT MATERIAL SHALL MEET AASHTO SPECIFICATION M-213. EXPANSION JOINT MATERIAL SHALL BE 1/2" THICK, SHALL EXTEND THE FULL DEPTH OF CONTACT SURFACE AND THE JOINT SHALL BE SEALED, REFER TO DETAILS.
  - ALL EXPOSED CONCRETE CORNERS SHALL HAVE A 3/8" CHAMFER UNLESS OTHERWISE NOTED.
  - SUBGRADE TO BE 12" THICK CLEAN FILL COMPACTED TO 95% STANDARD PROCTOR DENSITY PER ASTM M698 UNDER STRUCTURE.
  - REFER TO POND DETAILS FOR PRESEDIMENTATION/FOREBAY DESIGN.
  - ENGINEER SHALL BE NOTIFIED PRIOR TO BEGINNING CONSTRUCTION OF OUTLET STRUCTURE TO SCHEDULE OBSERVATION VISITS FOR STRUCTURES.

- WQCV WELL-SCREEN NOTES:**
- Well-Screen shall be stainless steel and attached by stainless steel bolts along edge of the mounting frame.
  - WQCV Well Screen
    - Type of Screen: Stainless steel #93 Vee Wire (Johnson Vee Wire (tm) Stainless Steel Screen or equivalent with 60% open area)
    - Screen slot opening dimension: 0.139" (Screen #93 Vee Wire Slot Opening)
    - Type and Size of Support Rod: TE 0.074"x0.50"
    - Spacing of Support Rod (O.C.): 1.0 Inch
    - Total Screen Thickness: 0.655"
    - Carbon Steel Holding Frame Type: 3/4" x 1.0" angle



**CORE ENGINEERING GROUP**  
15004 1ST AVENUE S.  
DENVER, CO 80202  
PH: 719.570.1100  
CONTACT: RICHARD L. SCHINDLER, P.E.  
EMAIL: Rich@cog1.com

DATE: NOV 30, 2021  
DESCRIPTION: MODIFY CIRCULAR HOLES IN ORIFICE PLATE  
PREPARED FOR: LORSON, LLC  
212 N. WAHSATCH AVE, SUITE 301  
COLORADO SPRINGS, COLORADO 80903  
CONTACT: JEFF MARK

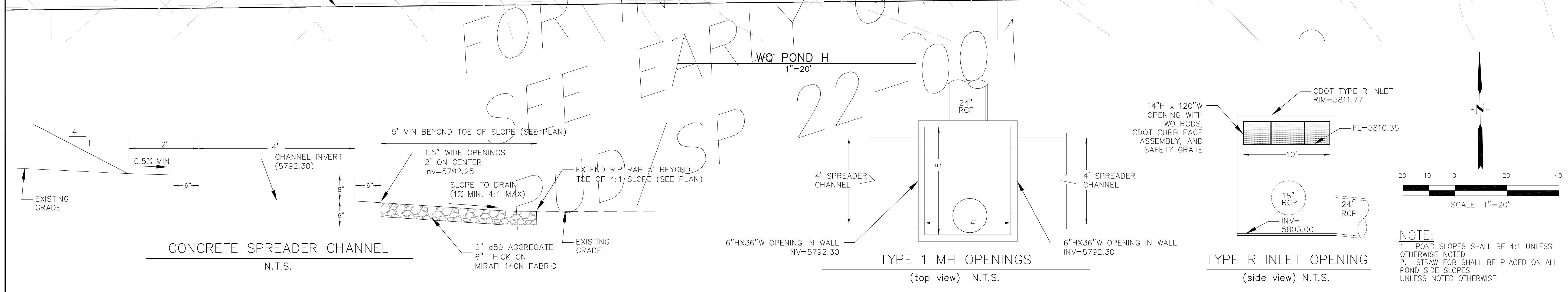
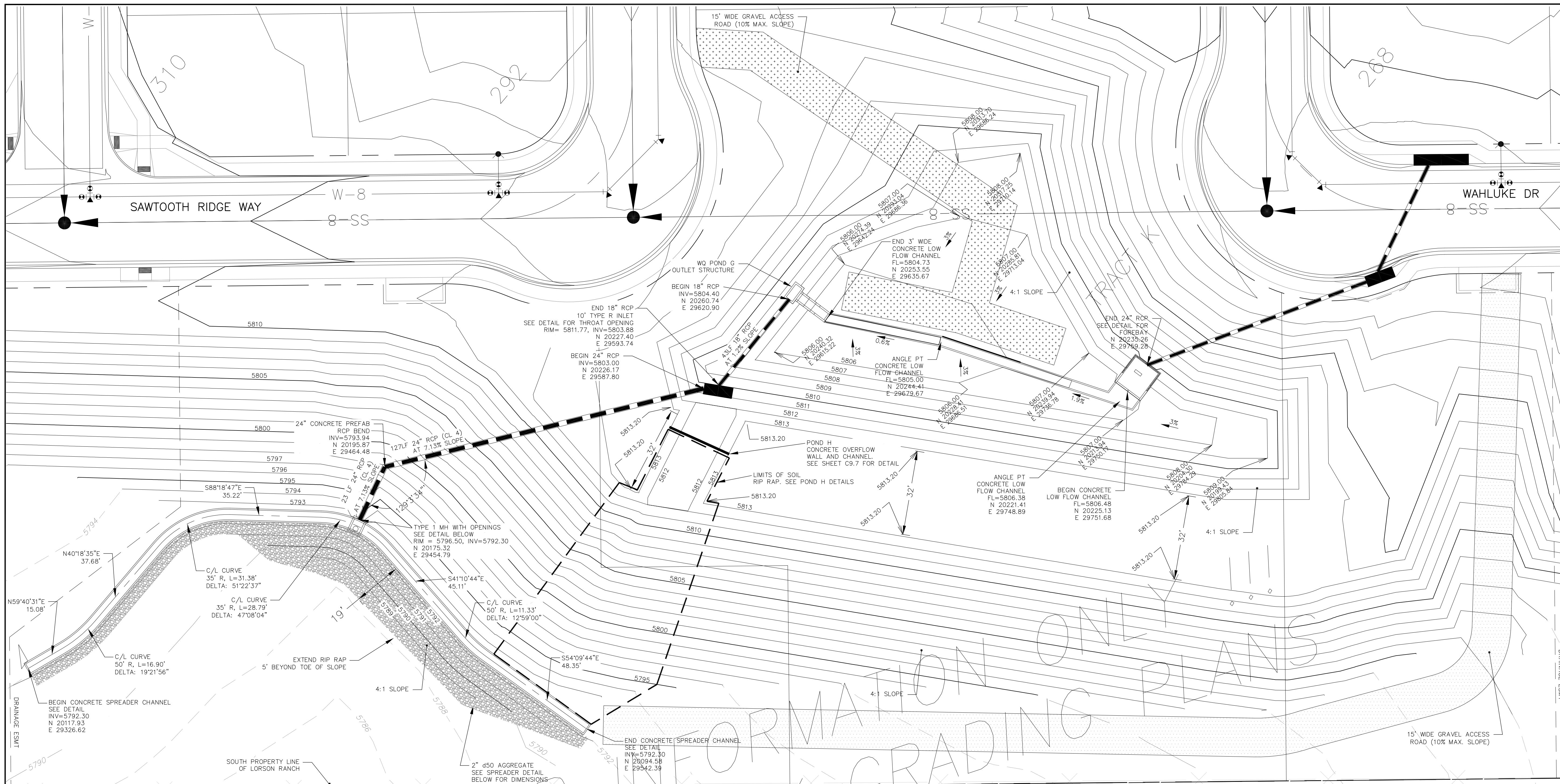
PROJECT: HILLSIDE AT LORSON RANCH  
LORSON BLVD. - WALLEYE DR.  
COLORADO SPRINGS, COLORADO

DRAWN: RLS  
DESIGNED: RLS  
CHECKED: RLS

**POND G  
FULL SPECTRUM / WQ POND  
OUTLET STRUCTURE DETAILS**

DATE: DEC 1, 2022  
PROJECT NO: 100.065  
SHEET NUMBER: C9.5  
TOTAL SHEETS: 20





FOR INFORMATION ONLY  
SEE EARLY GRADING  
22-001

**CORE**  
**ENGINEERING GROUP**  
1500R 1ST AVENUE, S.  
DENVER, CO 80202  
PHONE: 719.570.1100  
CONTACT: RICHARD L. SCHINDLER, P.E.  
EMAIL: Rich@ceg1.com

DATE: \_\_\_\_\_  
DESCRIPTION: \_\_\_\_\_  
NO: \_\_\_\_\_  
DRAWN: RLS  
DESIGNED: RLS  
CHECKED: RLS

PREPARED FOR:  
**LORSON, LLC**  
212 N. WAHSATCH AVE, SUITE 301  
COLORADO SPRINGS, COLORADO 80903  
LORSON BLVD. - WALLEYE DR.  
COLORADO SPRINGS, COLORADO  
(719) 635-3200  
CONTACT: JEFF MARK

PROJECT:  
**HILLSIDE AT LORSON RANCH**  
POND H  
POND GRADING AND  
CONCRETE SPREADER CHANNEL

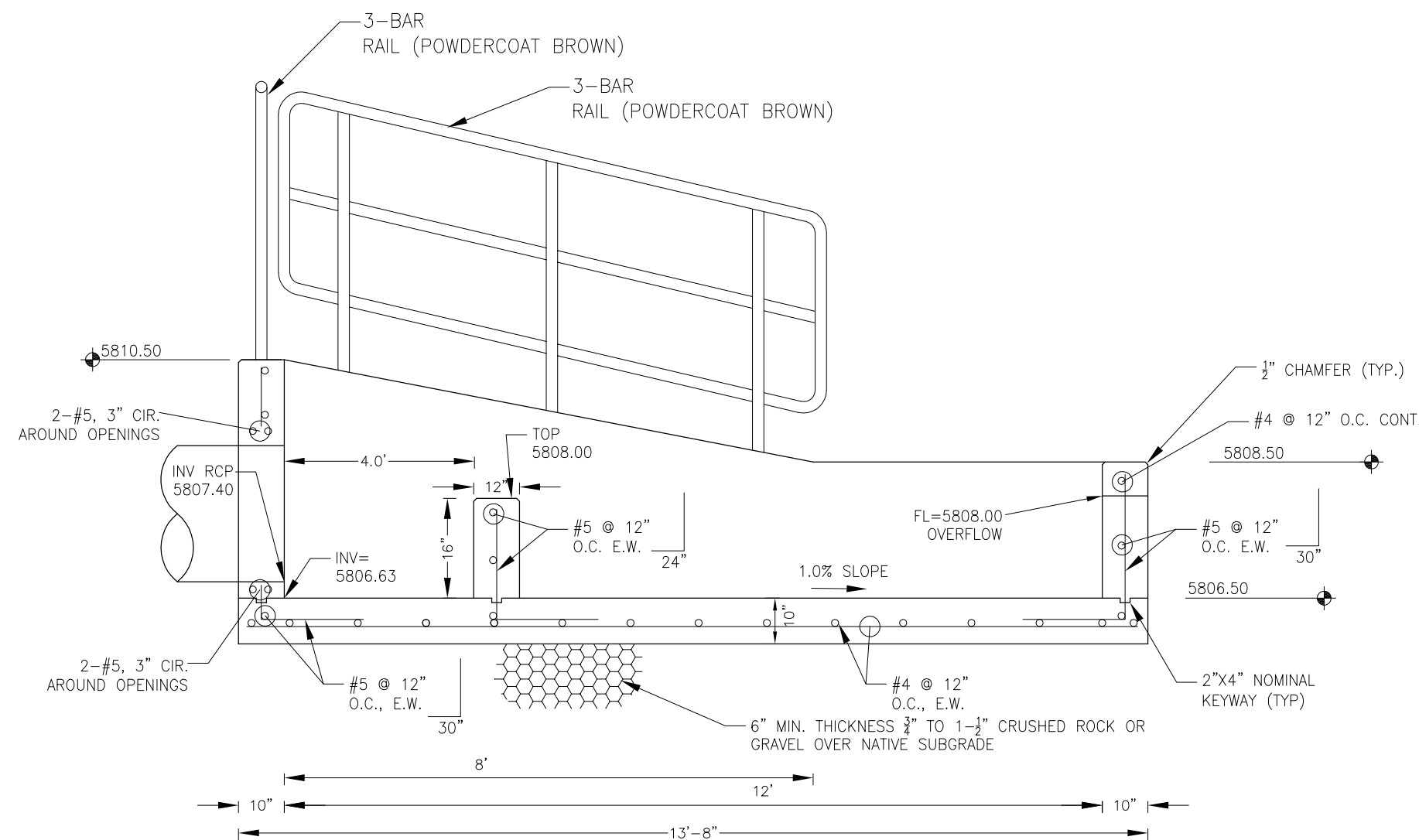
DATE:  
DEC 1, 2022

PROJECT NO.  
100.065

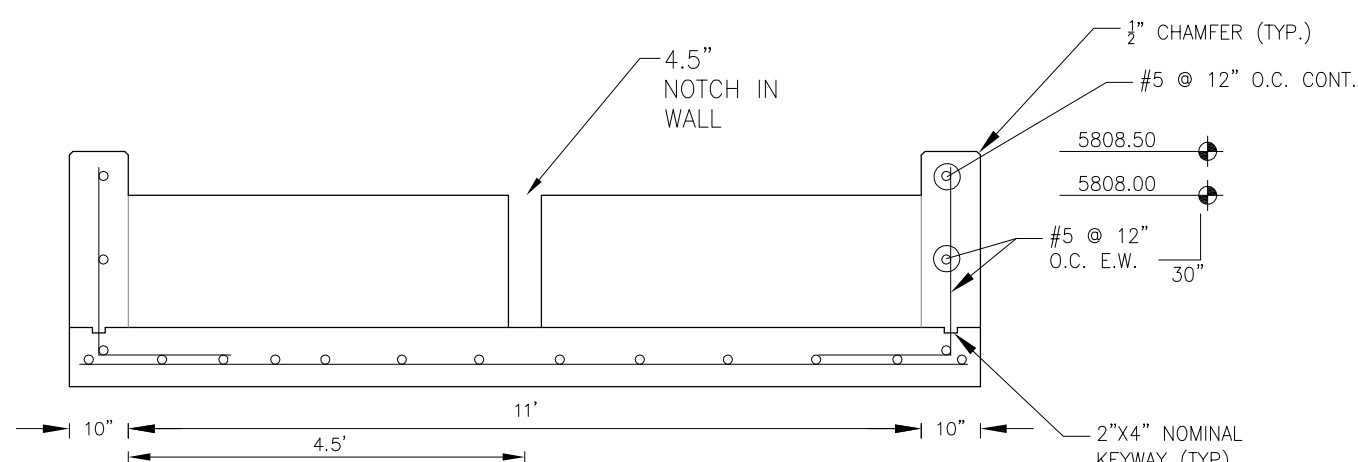
SHEET NUMBER  
**C9.6**

TOTAL SHEETS: 20

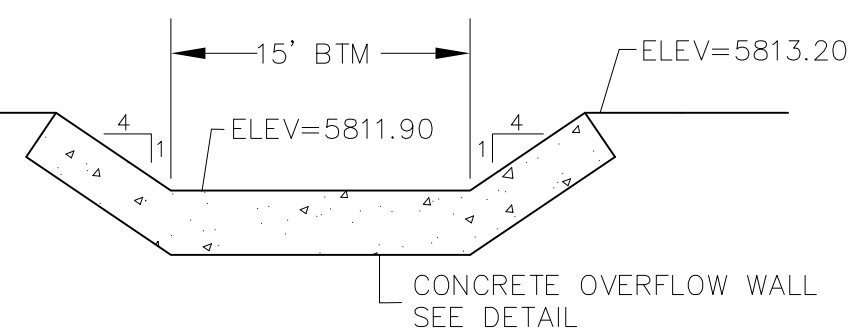




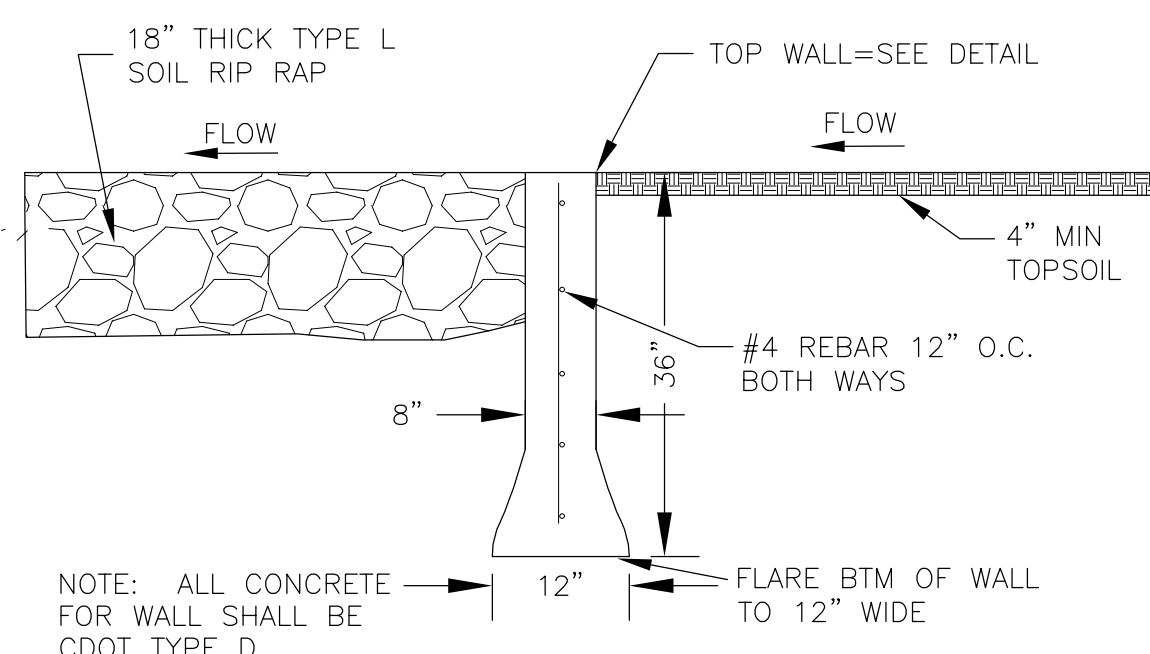
FOREBAY SECTION A-A  
NO SCALE



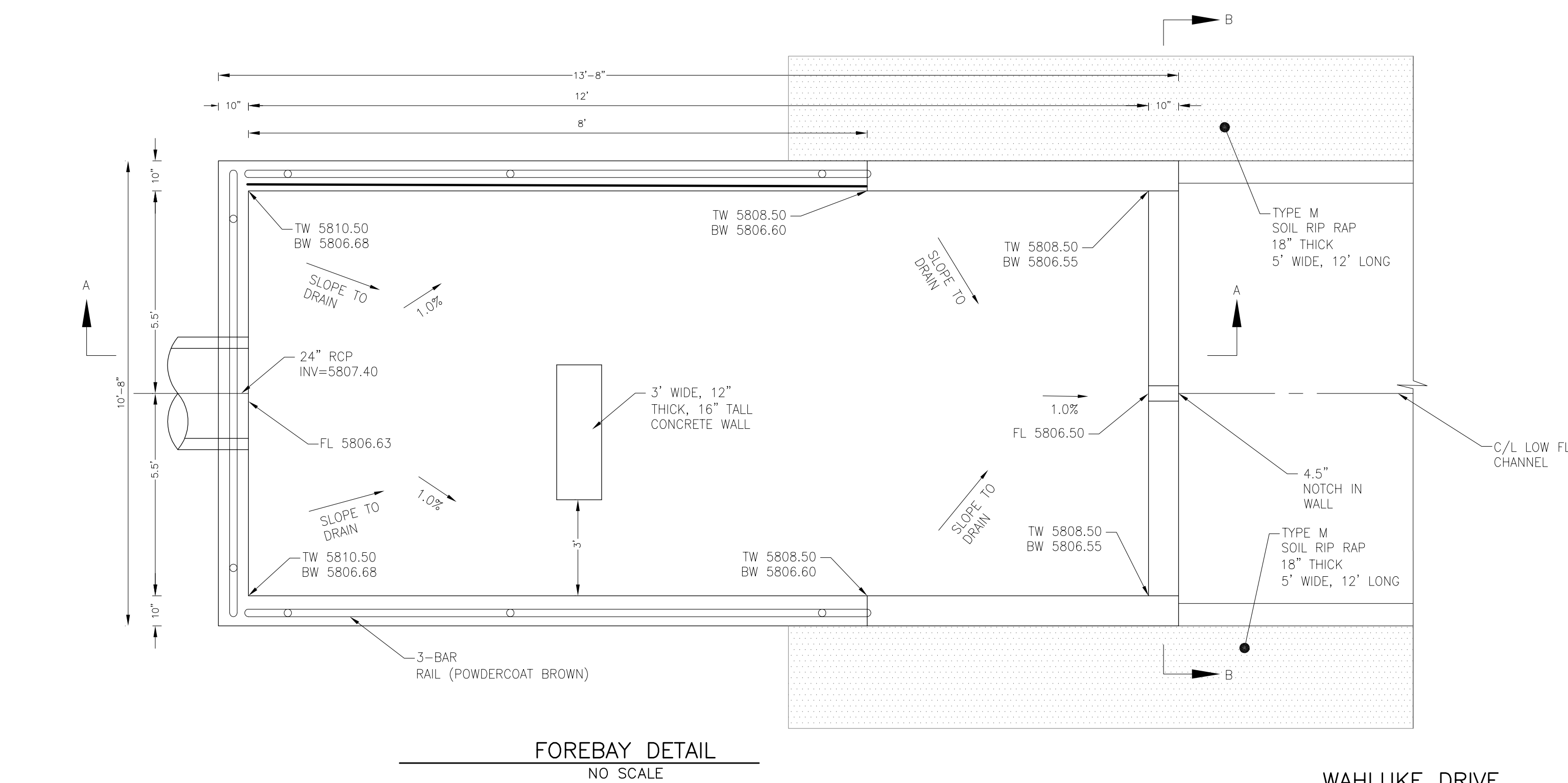
FOREBAY SECTION B-B  
NO SCALE



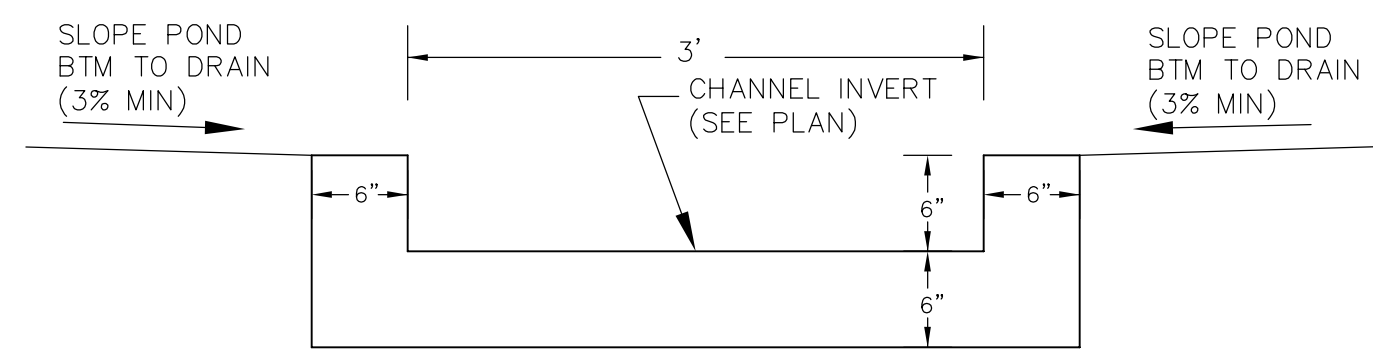
WQ POND H  
EMERGENCY OVERFLOW  
PROFILE  
SCALE: NTS



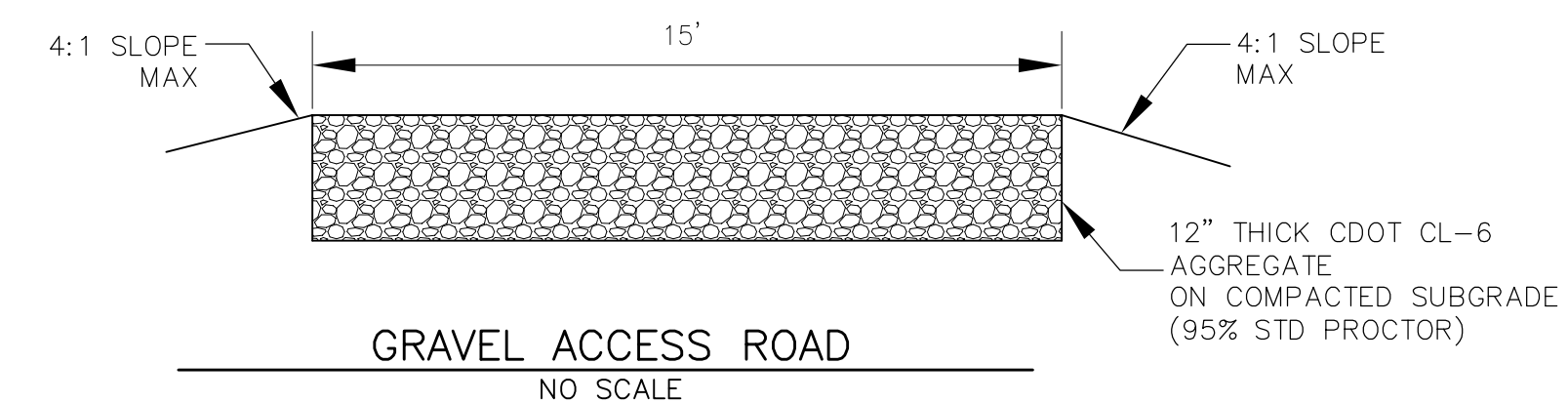
POND CONCRETE OVERFLOW WALL  
NO SCALE



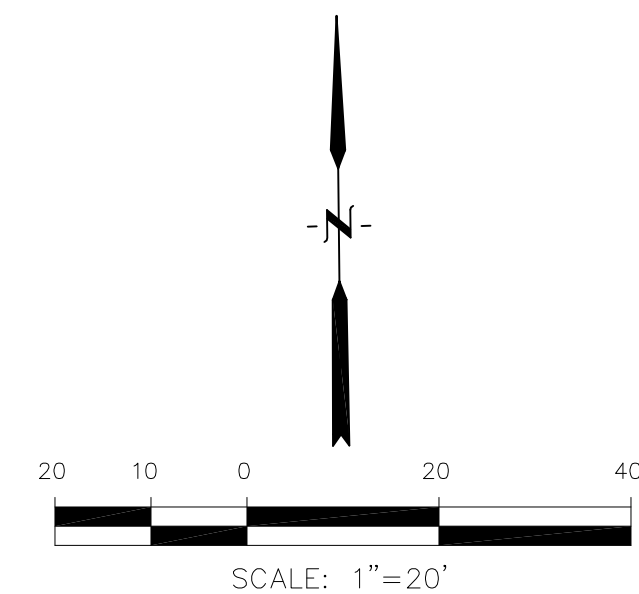
FOREBAY DETAIL  
NO SCALE



CONCRETE LOW FLOW CHANNEL  
N.T.S.



GRAVEL ACCESS ROAD  
NO SCALE

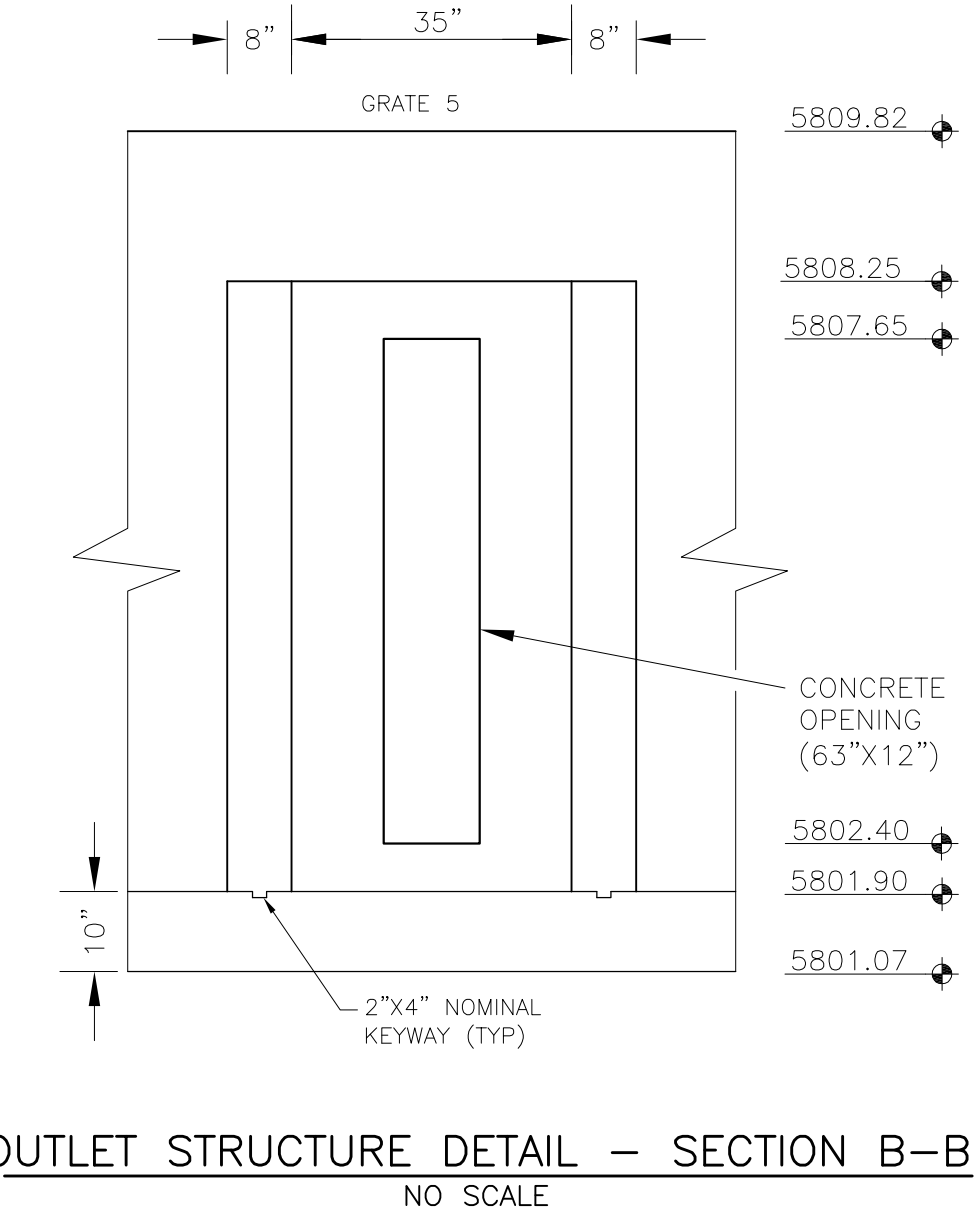
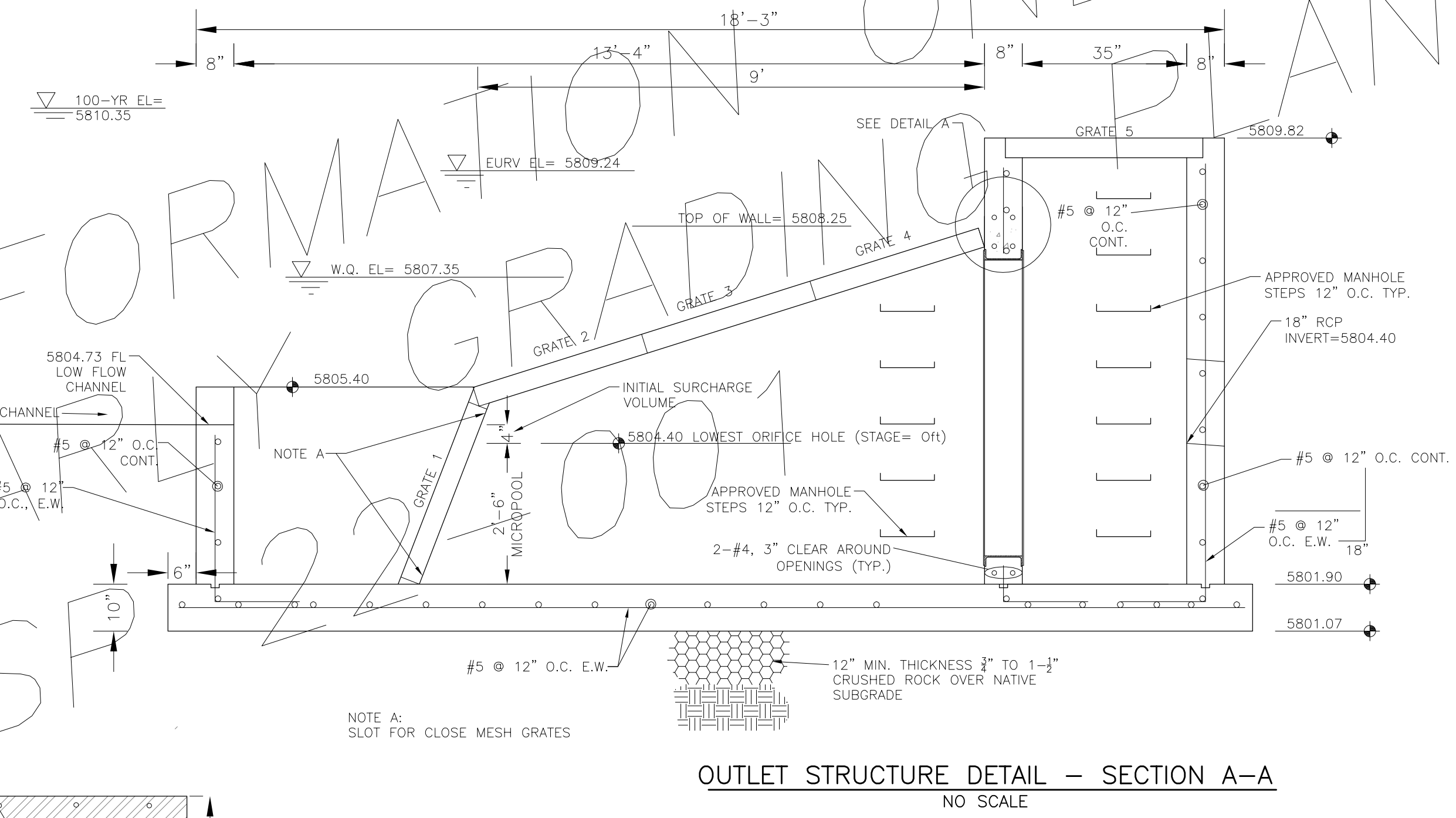
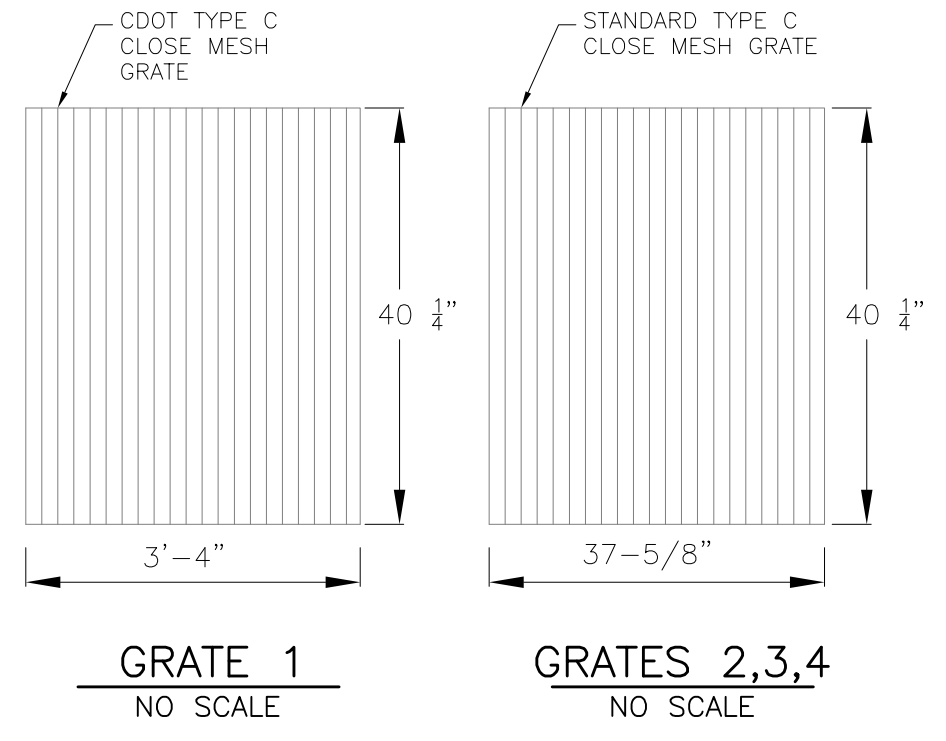
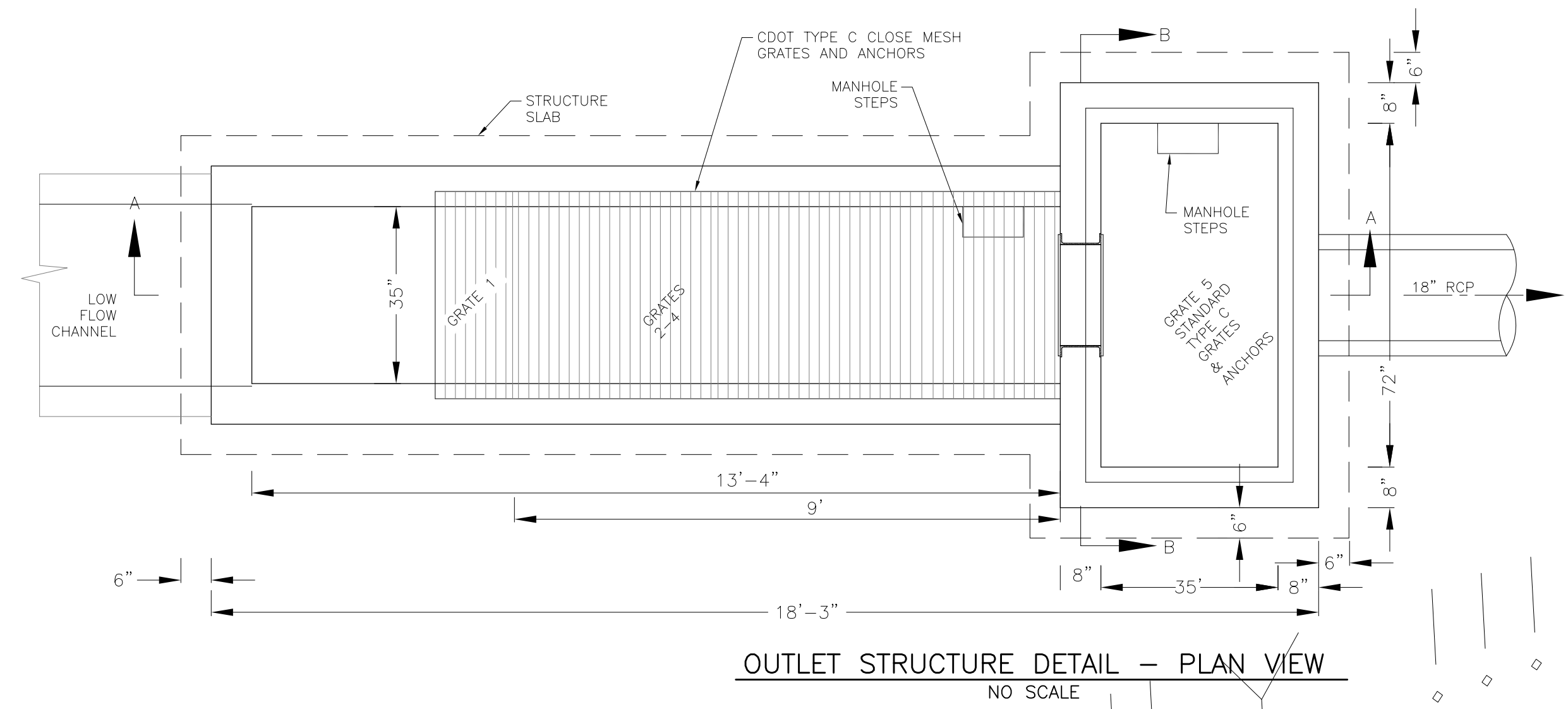
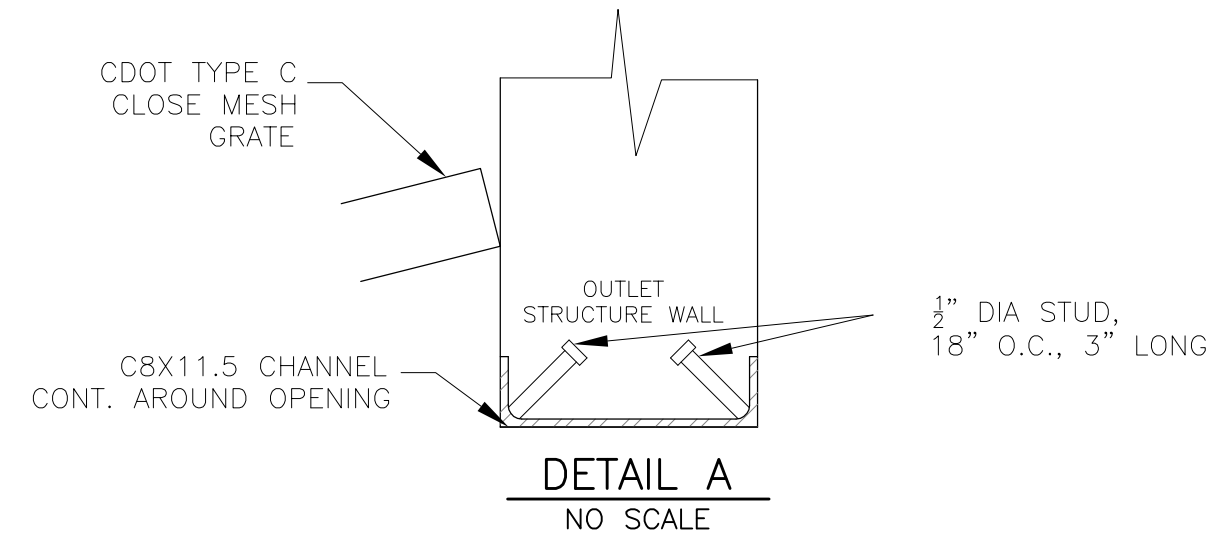


NOTE:  
1. POND SLOPES SHALL BE 4:1 UNLESS OTHERWISE NOTED  
2. STRAW ECB SHALL BE PLACED ON ALL POND SIDE SLOPES UNLESS NOTED OTHERWISE

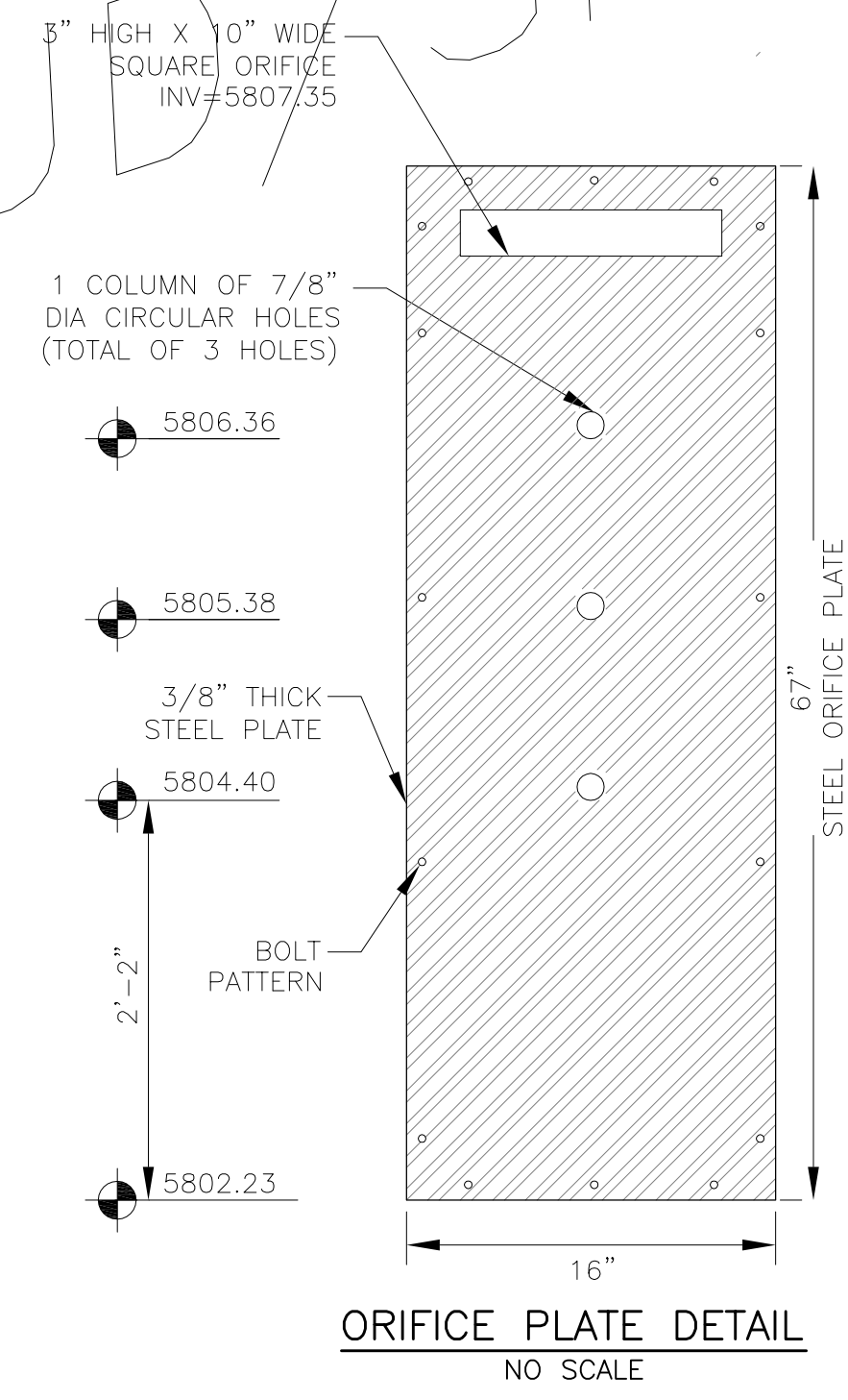
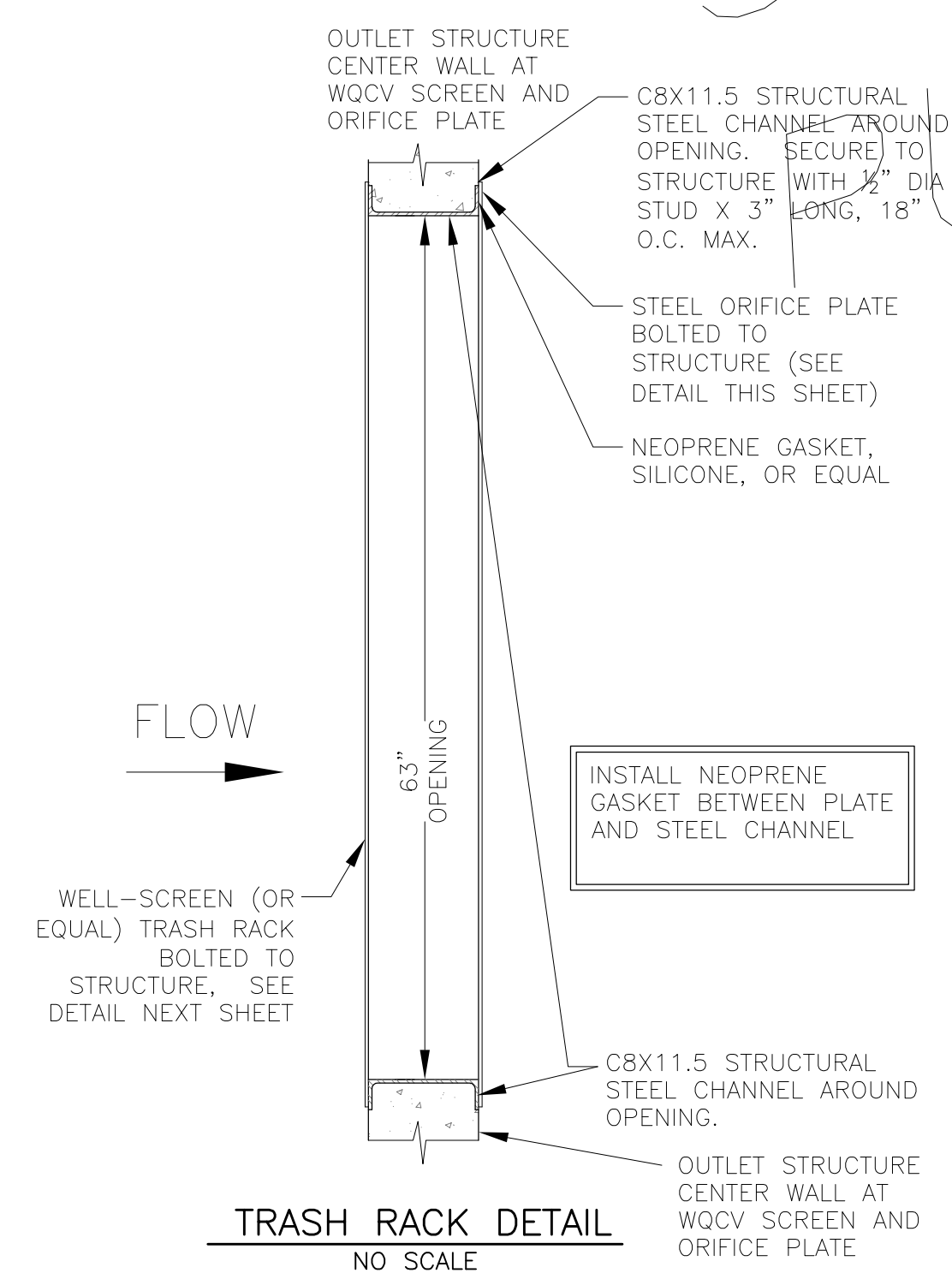
FOR INFORMATION ONLY !!!  
SEE EARLY GRADING PLANS  
PUD/SP 22-001

<b>CORE ENGINEERING GROUP</b>	
1500R 151 <sup>ST</sup> AVENUE, SUITE 301 DENVER, CO 80202 PHONE: 719.570.1100 CONTACT: RICHARD L. SCHINDLER, P.E. EMAIL: Rich@ceg1.com	
DATE:	NOV 30, 2021
DESCRIPTION:	MODIFY CONCRETE SPREADER CHANNEL
NO.	1.
PROJECT:	HILLSIDE AT LORSON RANCH LORSON BLVD. - WALLEYE DR. COLORADO SPRINGS, COLORADO
PREPARED FOR:	LORSON, LLC 212 N. WAHSATCH AVE, SUITE 301 COLORADO SPRINGS, COLORADO 80903 (719) 635-3200 CONTACT: JEFF MARK
DRAWN:	RLS
DESIGNED:	RLS
CHECKED:	RLS
<b>POND H POND DETAILS AND TRICKLE CHANNEL</b>	
DATE:	DEC 1, 2022
PROJECT NO.	100.065
SHEET NUMBER	C9.7
TOTAL SHEETS:	20





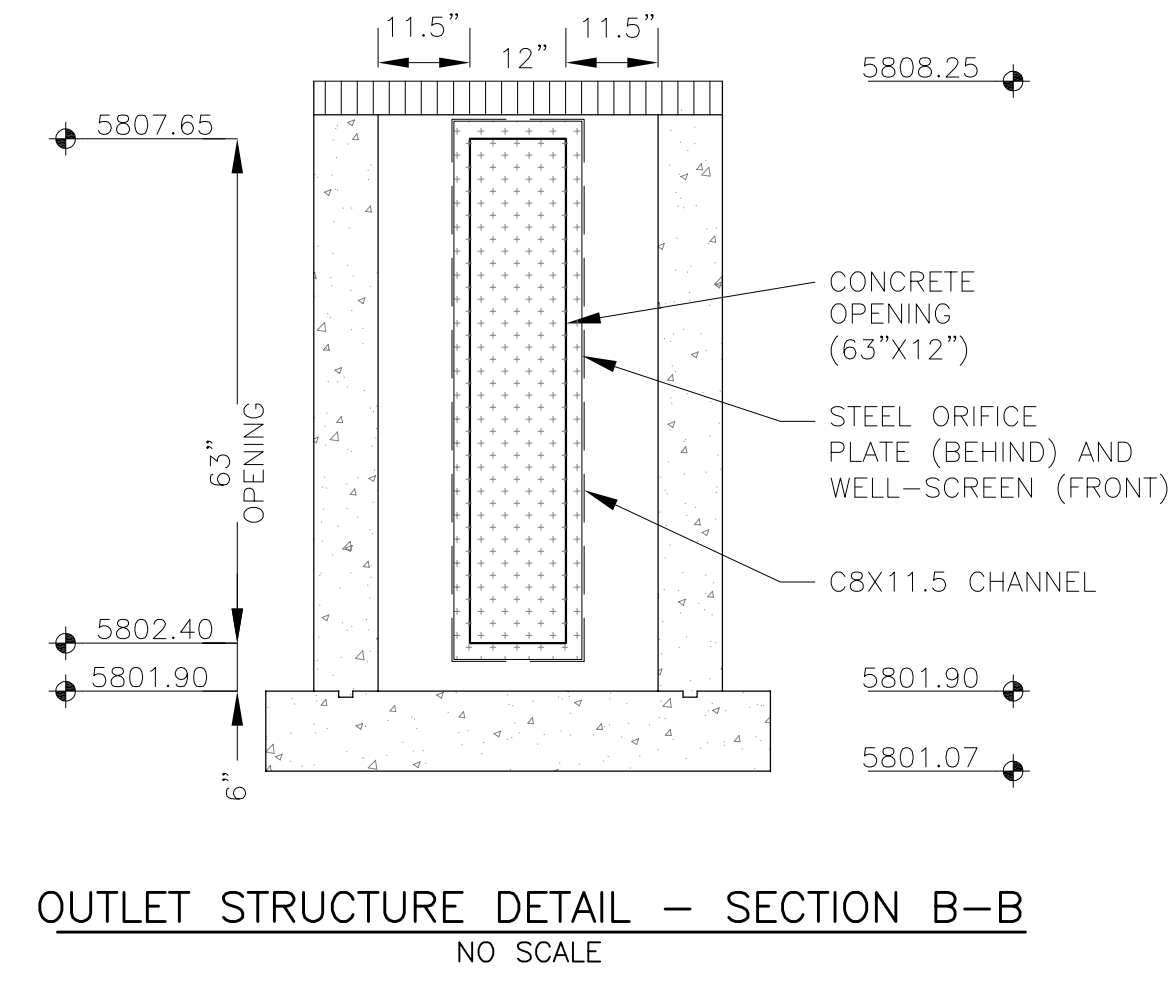
FOR SEE EASY GRADING INFORMATION ONLY PLANS



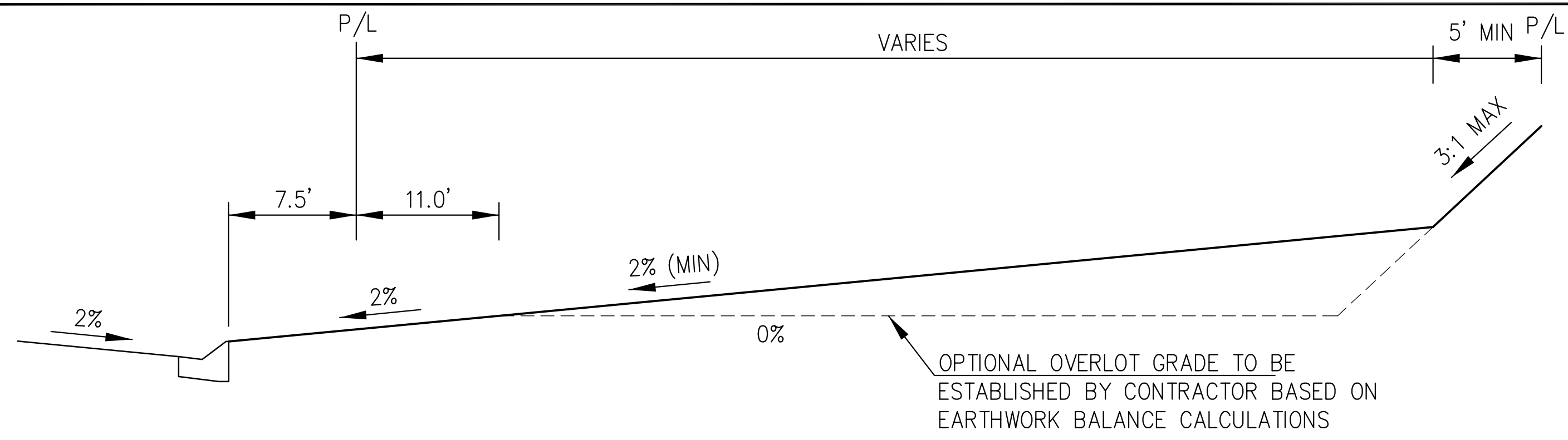
**OUTLET STRUCTURE, FOREBAY, AND DRAIN CHANNEL NOTES:**

- PRIOR TO CONSTRUCTION, CONTRACTOR SHALL PROVIDE SHOP DRAWINGS FOR ALL COMPONENTS OF THE OUTLET STRUCTURE.
  - GRADE 60 REINFORCING STEEL REQUIRED. SEE TABLE FOR THE MINIMUM LAP SPLICE LENGTH FOR REINFORCING BARS. ALL REINFORCING STEEL SHALL HAVE A TWO-INCH MINIMUM CLEARANCE FROM EDGE OF CONCRETE, UNLESS OTHERWISE NOTED.
- | BAR SIZE           | #4    | #5    | #6    |
|--------------------|-------|-------|-------|
| MIN. SPLICE LENGTH | 1'-3" | 1'-7" | 2'-0" |
- CONCRETE FOR THE OUTLET STRUCTURE AND FOREBAY SHALL BE CDOT CLASS D CONCRETE.
  - CONCRETE FOR DRAIN CHANNELS SHALL BE CDOT CLASS B CONCRETE.
  - EXPANSION JOINT MATERIAL SHALL MEET AASHTO SPECIFICATION M-213. EXPANSION JOINT MATERIAL SHALL BE 1/2" THICK, SHALL EXTEND THE FULL DEPTH OF CONTACT SURFACE AND THE JOINT SHALL BE SEALED, REFER TO DETAILS.
  - ALL EXPOSED CONCRETE CORNERS SHALL HAVE A 3/8" CHAMFER UNLESS OTHERWISE NOTED.
  - SUBGRADE TO BE 12" THICK CLEAN FILL COMPACTED TO 95% STANDARD PROCTOR DENSITY PER ASTM M698 UNDER STRUCTURE.
  - REFER TO POND DETAILS FOR PRESEDIMENTATION/FOREBAY DESIGN.
  - ENGINEER SHALL BE NOTIFIED PRIOR TO BEGINNING CONSTRUCTION OF OUTLET STRUCTURE TO SCHEDULE OBSERVATION VISITS FOR STRUCTURES.

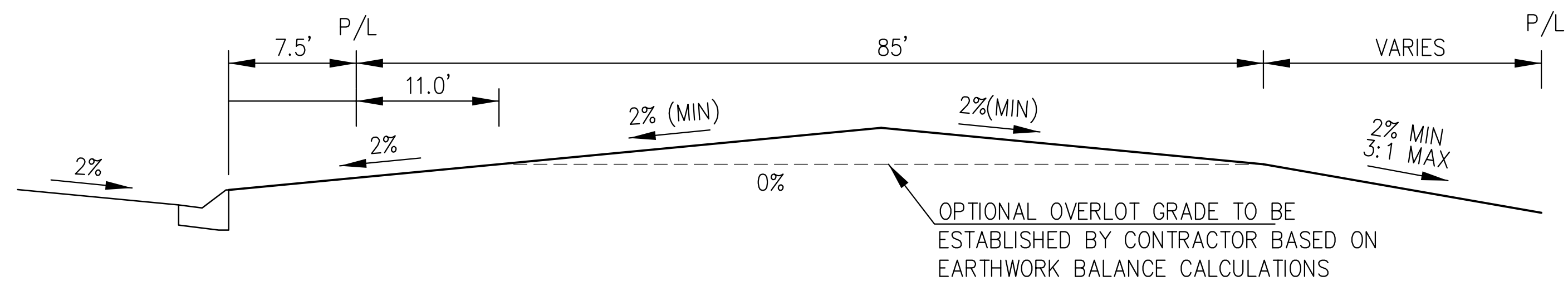
- WQCV WELL-SCREEN NOTES:**
- Well-Screen shall be stainless steel and attached by stainless steel bolts along edge of the mounting frame.
  - WQCV Well Screen
    - Type of Screen: Stainless steel #93 Vee Wire (Johnson Vee Wire (tm) Stainless Steel Screen or equivalent with 60% open area)
    - Screen slot opening dimension: 0.139" (Screen #93 Vee Wire Slot Opening)
    - Type and Size of Support Rod: TE 0.074"x0.50"
    - Spacing of Support Rod (O.C.): 1.0 Inch
    - Total Screen Thickness: 0.655"
    - Carbon Steel Holding Frame Type: 3/4" x 1.0" angle



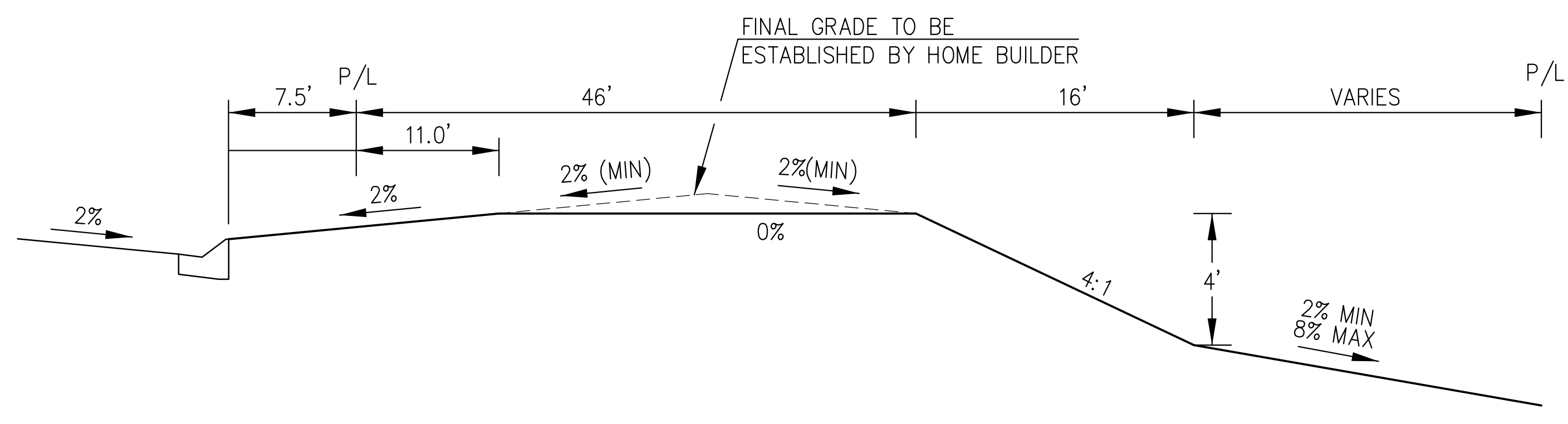




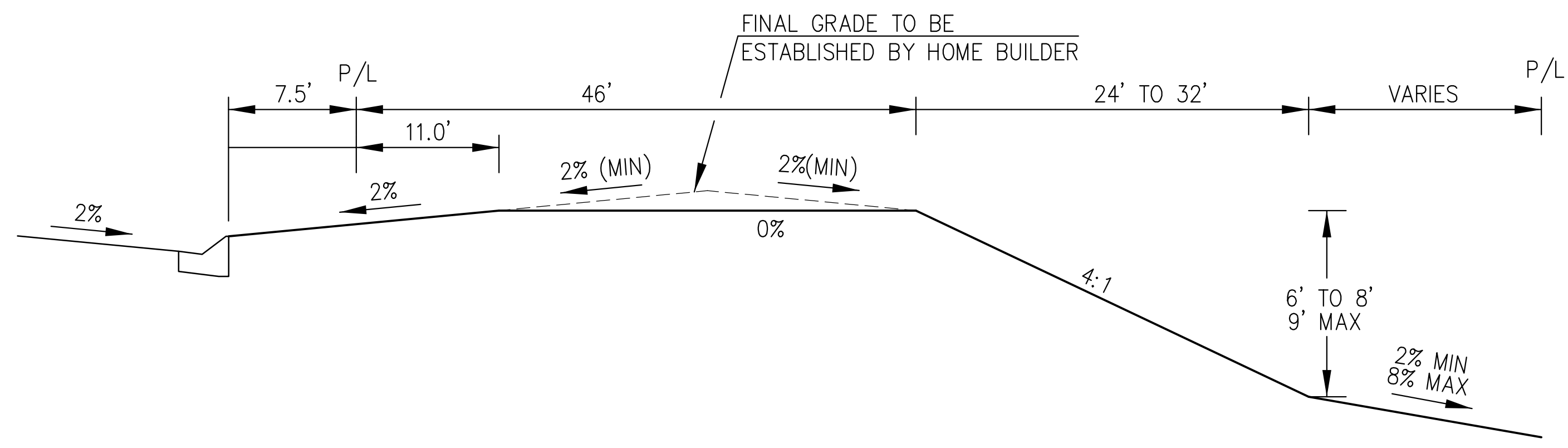
TYPICAL "A" LOT



TYPICAL "B" LOT



TYPICAL "GARDEN" LOT



TYPICAL "WALKOUT" LOT

### Sediment Control Log (SCL) SC-2

**SEDIMENT CONTROL LOG JOINTS**

W (FT)	X (FT)
20-30	5
31-40	7
41-50	9
51-60	10.5
61-70	12

**SCL-1. SEDIMENT CONTROL LOG**

November 2010 Urban Drainage and Flood Control District Urban Storm Drainage Criteria Manual Volume 3 SCL-3

### EC-9 Rough Cut Street Control (RCS)

**TABLE RCS-1**

W (FT)	X (FT)
20-30	5
31-40	7
41-50	9
51-60	10.5
61-70	12

**TABLE RCS-2**

LONGITUDINAL STREET SLOPE (%)	SPACING (FT)
<2	NOT TYPICALLY NEEDED
3	200
4	150
5	100
6	50
7	25
8	25

**RCS-1. ROUGH CUT STREET CONTROL**

EC-9 Urban Drainage and Flood Control District Urban Storm Drainage Criteria Manual Volume 3 November 2010

### STRAW BALE INLET PROTECTION

**STRAW BALE INLET PROTECTION NOTES**

**INSTALLATION REQUIREMENTS**

- INLET PROTECTION SHALL BE INSTALLED IMMEDIATELY AFTER CONSTRUCTION OF INLET.
- BALES ARE TO BE PLACED IN A SINGLE ROW AROUND THE INLET WITH THE END OF THE BALES TIGHTLY ADJUTING ONE ANOTHER.
- SEE STRAW BALE BARRIER FIGURE 88B-2 FOR INSTALLATION REQUIREMENTS.

**MAINTENANCE REQUIREMENTS**

- CONTRACTOR SHALL INSPECT STRAW BALE INLET PROTECTION IMMEDIATELY AFTER EACH RAINFALL, AND AT LEAST DAILY DURING PROLONGED RAINFALL, AND WEEKLY DURING PERIODS NO RAINFALL.
- DAMAGED OR INEFFECTIVE INLET PROTECTION SHALL PROMPTLY BE REPAIRED, REPLACING BALES IF NECESSARY, AND UNREINFORCED BALES NEED TO BE REPAIRED WITH COMPACTED BACKFILL MATERIAL.
- SEDIMENT SHALL BE REMOVED FROM BEHIND STRAW BALES WHEN IT ACCUMULATES TO APPROXIMATELY 1/3 THE HEIGHT OF THE BARRIERS.
- INLET PROTECTION SHALL BE REMOVED WHEN ADEQUATE VEGETATIVE COVER IS ATTAINED WITHIN THE DRAINAGE AREA AS APPROVED BY THE CITY.

City of Colorado Springs Stormwater Quality Figure IP-2 Straw Bale Inlet Protection Construction Detail and Maintenance Requirements 3-28

### Concrete Washout Structure

**CONCRETE WASHOUT STRUCTURE NOTES**

- SIGN MATERIAL, EXCAVATION, AND RESTORATION ARE INCLUDED IN THE COST OF THE CONCRETE WASHOUT STRUCTURE.
- EROSION BALES MAY BE USED AS AN ALTERNATIVE FOR THE BERM.

DATE APPROVED: 1/1/08  
 DEPARTMENT OF TRANSPORTATION John A. McCarty  
 STANDARD DRAWING  
 REVISION DATE: 7/17/07 FILE NAME: SD\_3-84  
 ET PASO COUNTY DEPARTMENT OF TRANSPORTATION

**CORE ENGINEERING GROUP**  
 1500 S. 1ST AVENUE, SUITE 3506  
 DENVER, CO 80202  
 PH: 719.570.1100  
 CONTACT: RICHARD L. SCHINDLER, P.E.  
 EMAIL: Rich@ceg1.com

**LORSON, LLC**  
 212 N. WAHSATCH AVE, SUITE 301  
 COLORADO SPRINGS, COLORADO 80903  
 (719) 635-3200  
 CONTACT: JEFF MARK

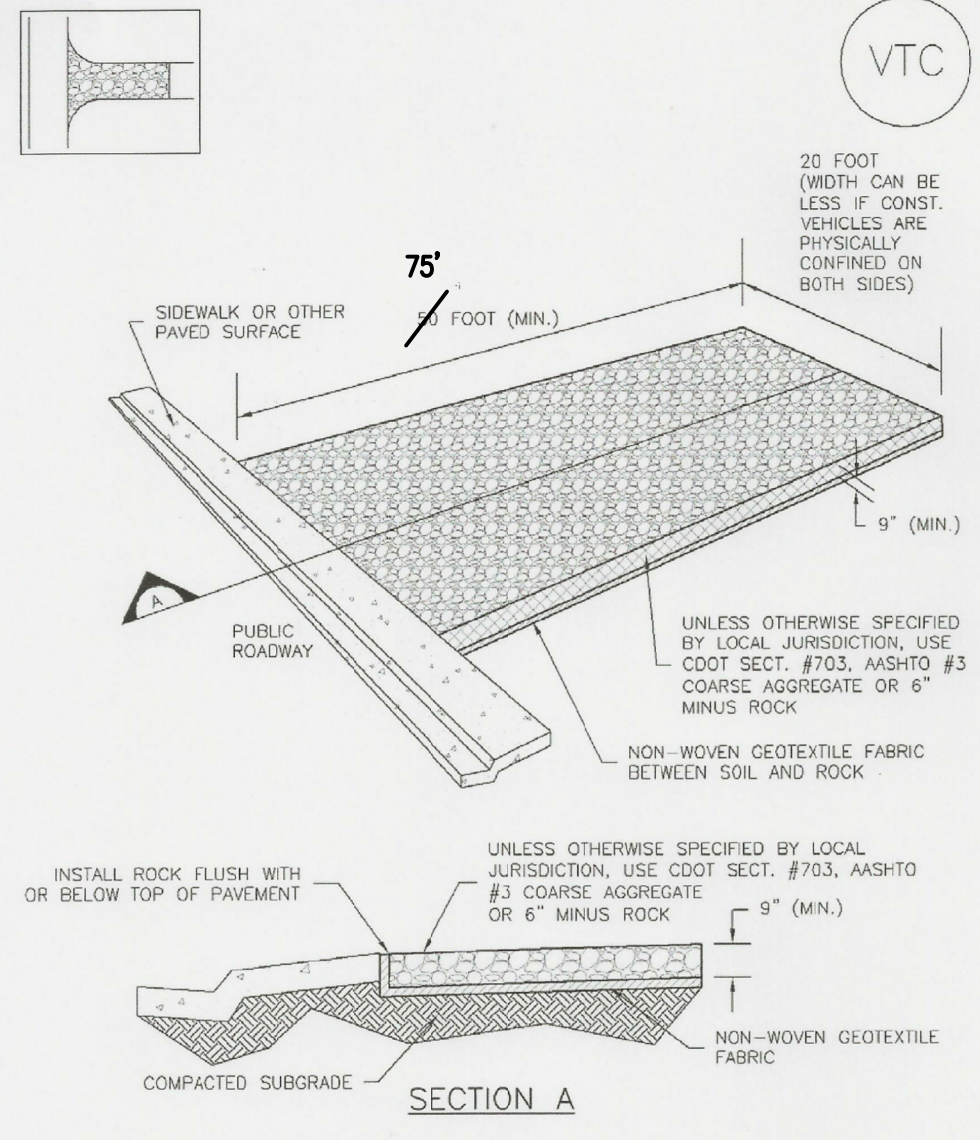
**HILLSIDE AT LORSON RANCH**  
 LORSON BLVD. - WALLEYE DR.  
 COLORADO SPRINGS, COLORADO

DATE: DEC 1, 2022  
 PROJECT NO: 100.065  
 SHEET NUMBER: C12.1  
 TOTAL SHEETS: 20

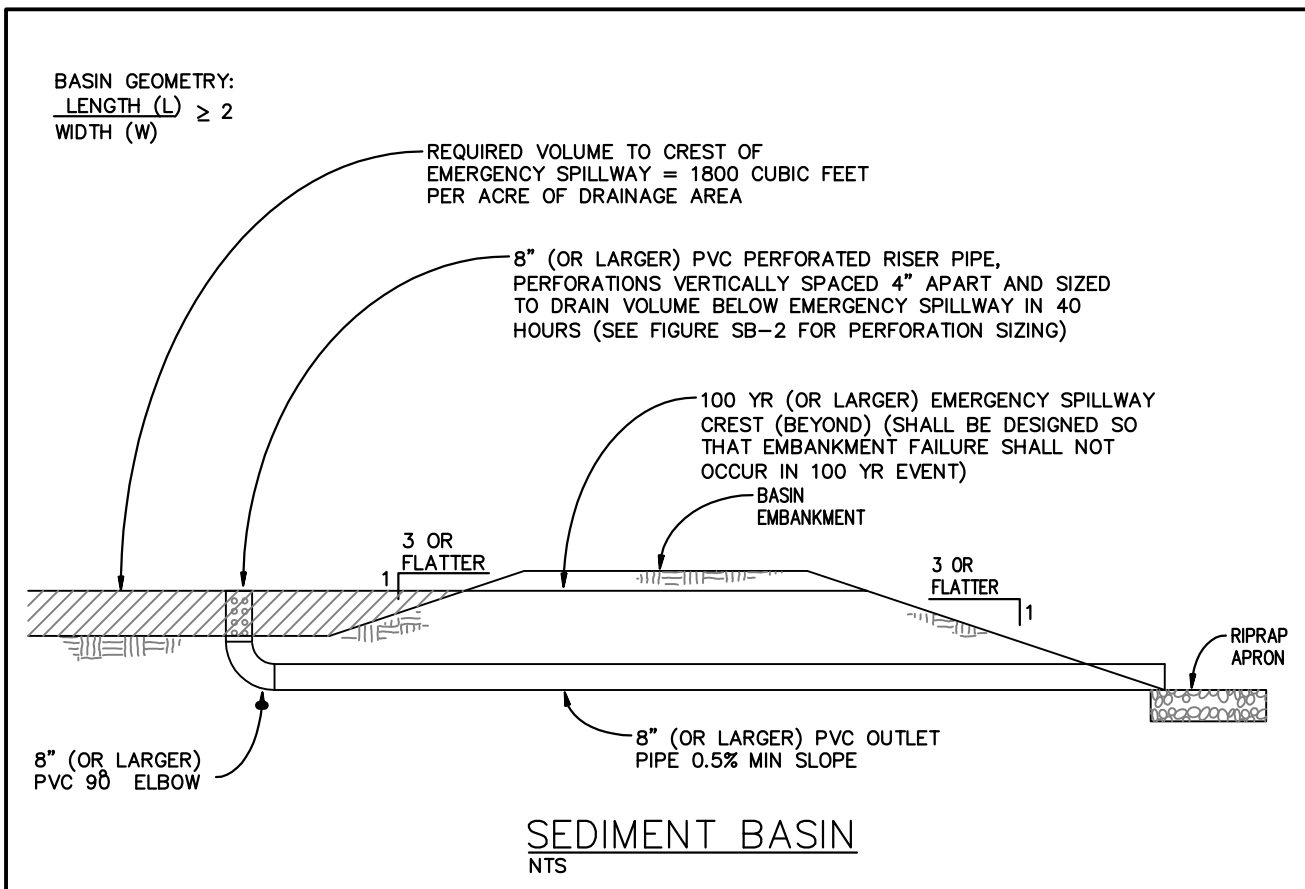
GRADING AND EROSION CONTROL DETAILS



Vehicle Tracking Control (VTC) SM-4



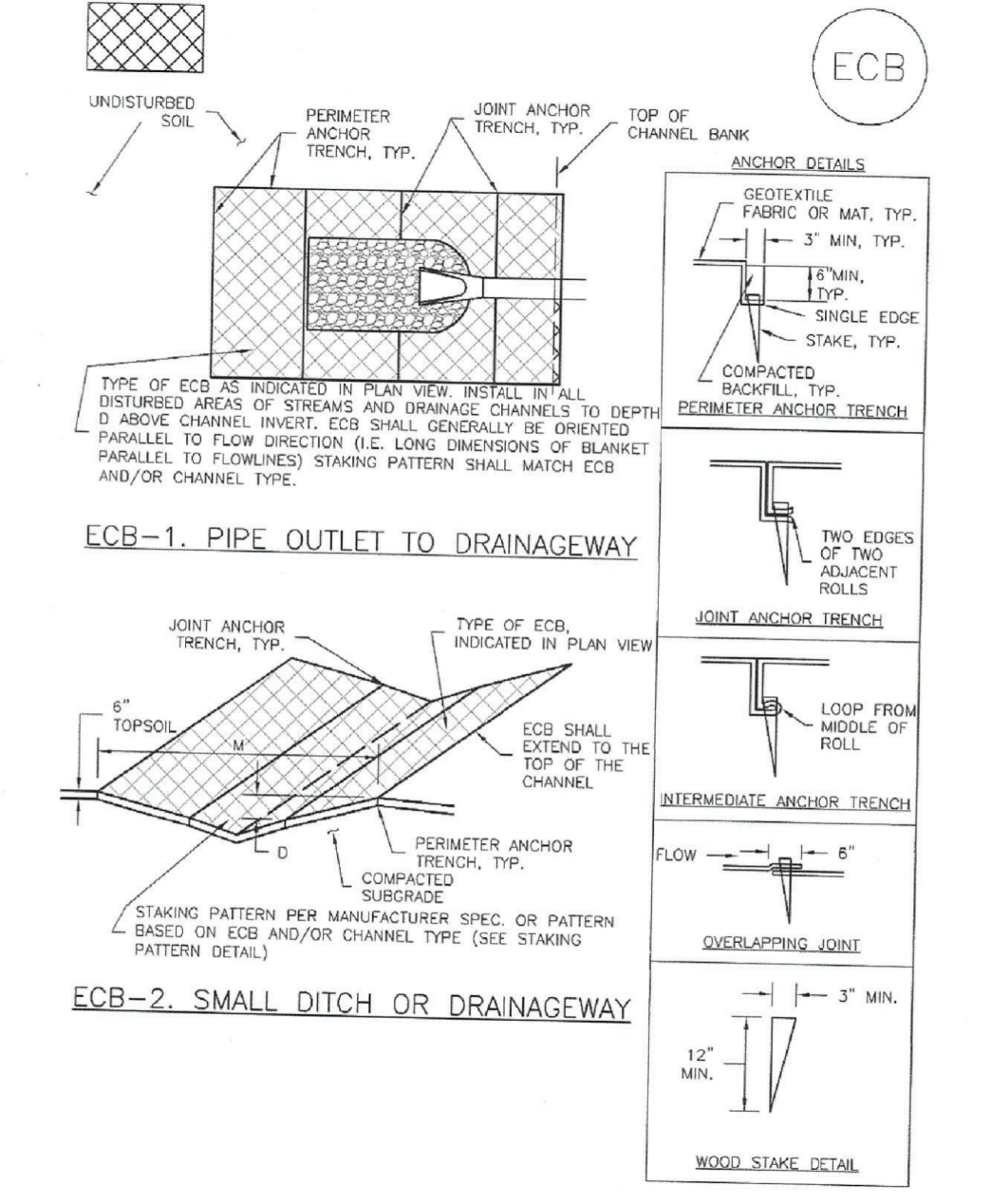
VTC-1. AGGREGATE VEHICLE TRACKING CONTROL



SEDIMENT BASIN NOTES  
SEDIMENT BASIN

- INSTALLATION REQUIREMENTS**
- SEDIMENT BASINS SHALL BE INSTALLED BEFORE ANY CLEARING AND/OR GRADING IS UNDERTAKEN.
  - THE AREA UNDER WHICH THE EMBANKMENT IS TO BE INSTALLED SHALL BE CLEARED, GRUBBED, AND STRIPPED OF ALL VEGETATION AND ROOT MAT.
  - THE OUTLET OF THE BASIN SHALL BE DESIGNED TO DRAIN ITS VOLUME IN 40 HOURS.
  - THE OUTLET IS TO BE LOCATED AT THE FURTHEST DISTANCE FROM THE INLET OF THE BASIN. BATTLES MAY BE NEEDED TO INCREASE THE FLOW LENGTH AND SETTLING TIME.
  - EMBANKMENT MATERIAL SHALL CONSIST OF SOIL WITH A MINIMUM OF 15% PASSING A #20 SIEVE. EXCAVATED SOIL CAN BE USED IF IT MEETS THIS REQUIREMENT.
  - EMBANKMENT IS TO BE COMPACTED TO AT LEAST 90% OF MAXIMUM DENSITY AND WITHIN 2% OF OPTIMUM MOISTURE CONTENT ACCORDING TO ASTM D 698.
  - WHEN A BASIN IS INSTALLED NEAR A RESIDENTIAL AREA, FOR SAFETY REASONS, A SIGN SHALL BE POSTED AND THE AREA SECURED WITH A FENCE.
- MAINTENANCE REQUIREMENTS**
- CONTRACTOR SHALL INSPECT SEDIMENT BASINS AFTER EACH RAINFALL, AT LEAST DAILY DURING PROLONGED RAINFALL, AND WEEKLY DURING PERIODS OF NO RAINFALL.
  - SEDIMENT BASINS SHALL BE CLEANED OUT BEFORE SEDIMENT HAS FILLED HALF THE VOLUME OF THE BASIN.
  - SEDIMENT BASINS SHALL REMAIN OPERATIONAL AND PROPERLY MAINTAINED UNTIL THE SITE AREA IS PERMANENTLY STABILIZED WITH ADEQUATE VEGETATIVE COVER AND/OR OTHER PERMANENT STRUCTURE AS APPROVED BY THE CITY.

EC-6 Rolled Erosion Control Products (RECP)



RECP-6 Urban Drainage and Flood Control District Urban Storm Drainage Criteria Manual Volume 3 November 2010

**CORE ENGINEERING GROUP**  
1500 S. AVENUE 105  
BOULDER, CO 80506  
PH: 727.970.1100  
CONTACT: RICHARD L. SCHINDLER, P.E.  
EMAIL: Rich@cegi.com

DATE: \_\_\_\_\_  
DESCRIPTION: \_\_\_\_\_  
NO: \_\_\_\_\_  
PREPARED FOR: **LORSON, LLC**  
212 N. WAHSATCH AVE, SUITE 301  
COLORADO SPRINGS, COLORADO 80903  
CONTACT: JEFF MARK

DRAWN: RLS  
DESIGNED: RLS  
CHECKED: RLS

GRADING AND EROSION CONTROL DETAILS

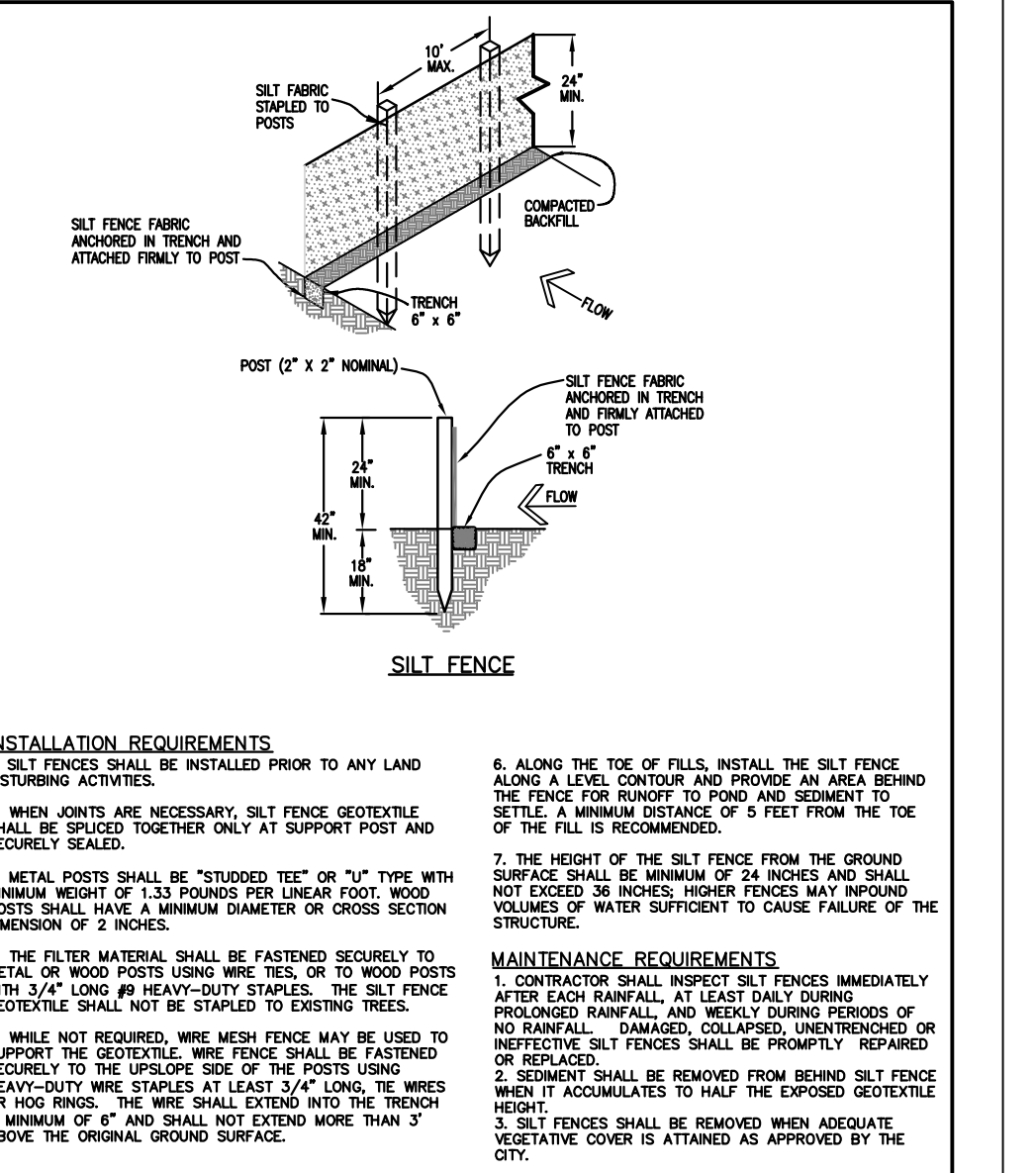


Figure SF-2 Silt Fence Construction Detail and Maintenance Requirements

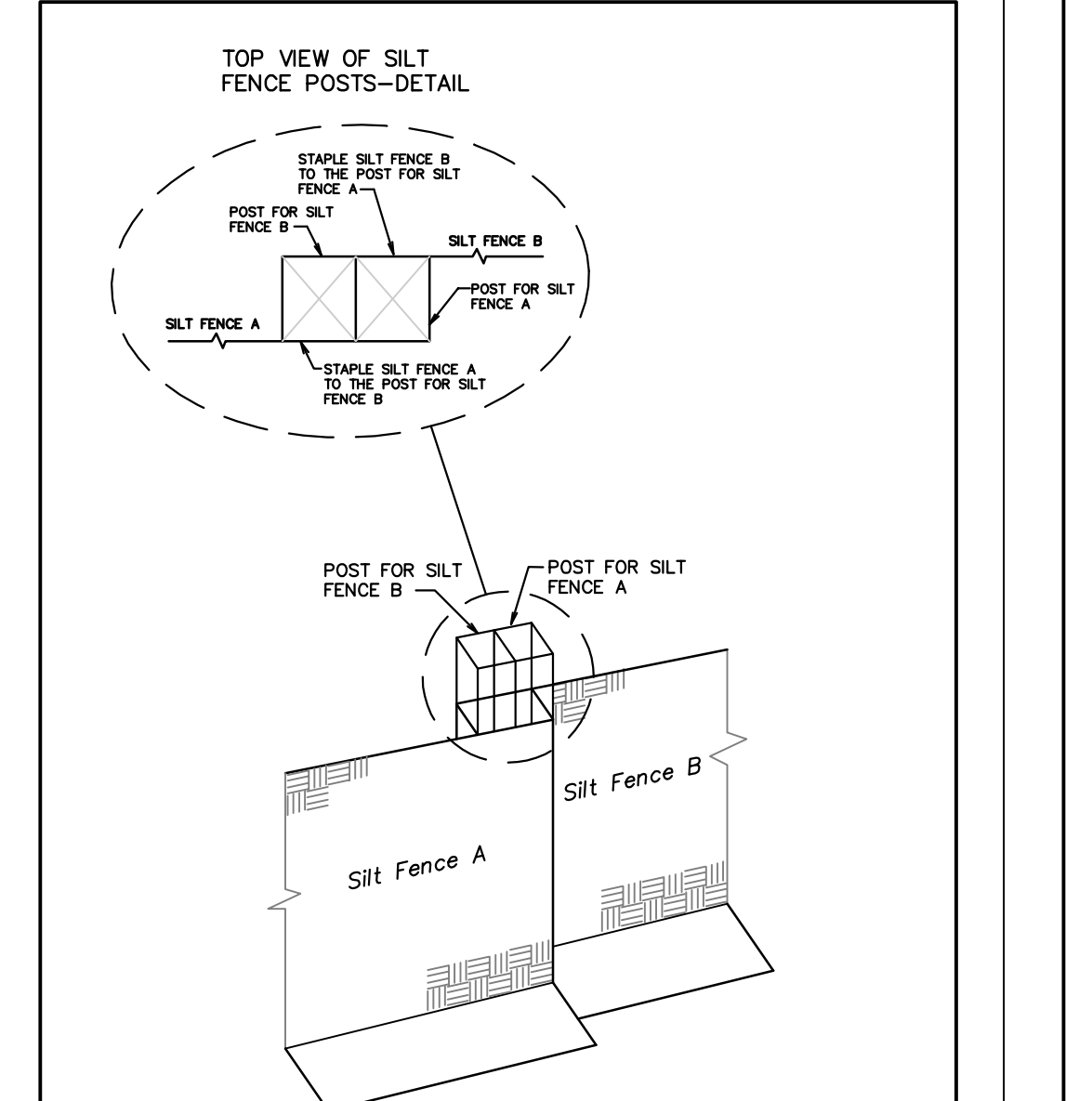


Figure SF-3 Silt Fence Joint Tying Construction Detail and Maintenance Requirements

Required Area per Row (ft<sup>2</sup>)

Depth at Outlet (ft)	Depth at Outlet (ft)							
	1.0	1.5	2.0	2.5	3.0	3.5	4.0	4.5
2	15.04	7.71	5.10	3.76	2.95	2.41	2.02	1.73
1	7.52	3.86	2.55	1.88	1.48	1.21	1.01	0.87
0.8	4.51	2.31	1.53	1.13	0.89	0.72	0.61	0.52
0.4	3.01	1.54	1.02	0.75	0.59	0.48	0.40	0.35
0.2	1.50	0.77	0.51	0.38	0.30	0.24	0.20	0.17
0.1	0.75	0.39	0.26	0.19	0.15	0.12	0.10	0.09
0.08	0.45	0.23	0.15	0.11	0.09	0.07	0.06	0.05
0.04	0.30	0.15	0.10	0.08	0.06	0.05	0.04	0.03
0.02	0.15	0.08	0.05	0.04	0.03	0.02	0.02	0.02
0.01	0.08	0.04	0.03	0.02	0.01	0.01	0.01	0.01

TABLE SB-1

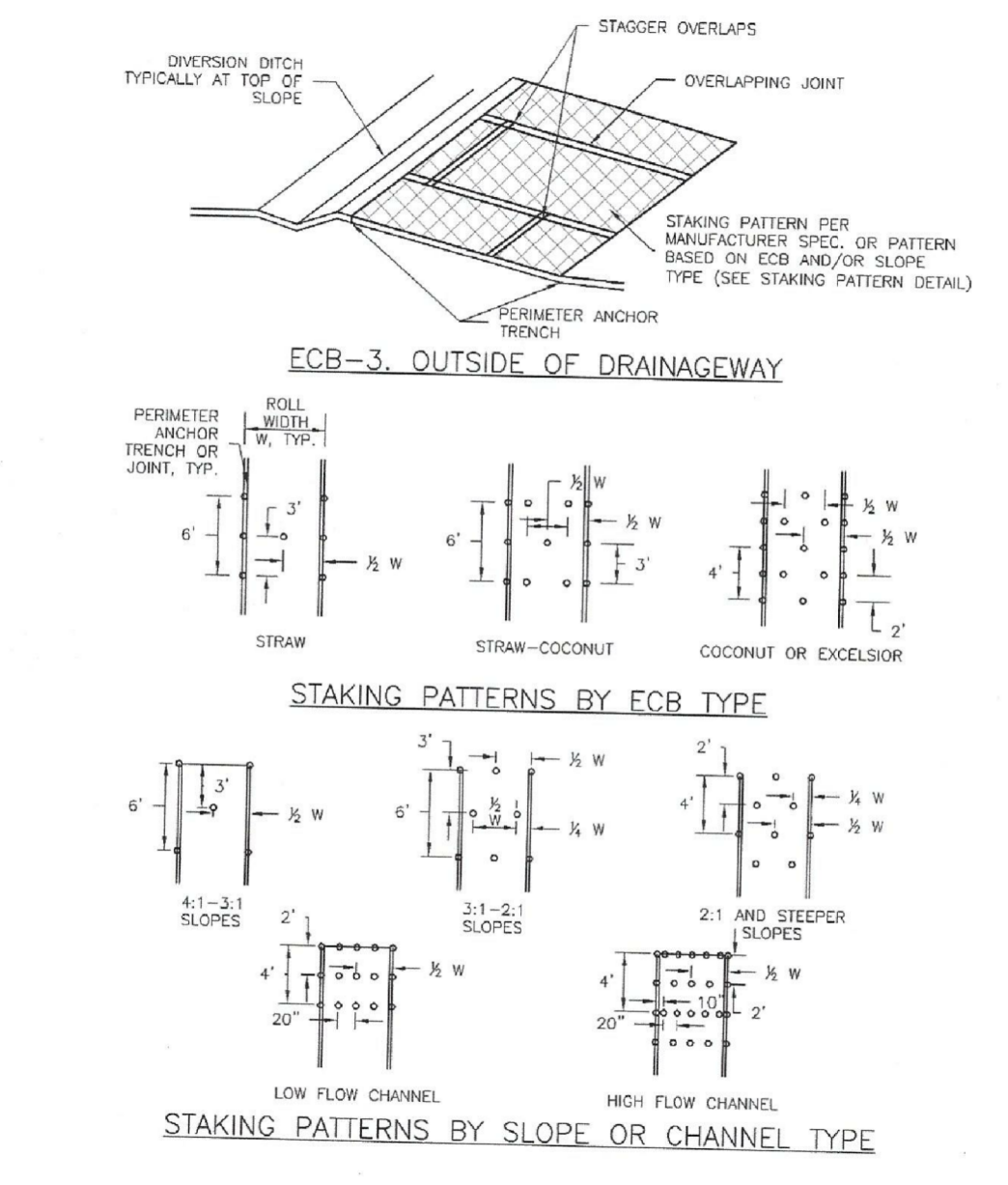
Circular Perforation Staking

Hole Diameter (in)	Hole Diameter (in)	Area per Row (ft <sup>2</sup> )	
		n = 1	n = 2
1/4	0.250	0.05	0.10
5/16	0.313	0.08	0.15
3/8	0.375	0.11	0.22
7/16	0.438	0.15	0.30
1/2	0.500	0.20	0.39
9/16	0.563	0.25	0.50
5/8	0.625	0.31	0.61
11/16	0.688	0.37	0.74
3/4	0.750	0.44	0.88
7/8	0.875	0.60	1.20
1	1.000	0.79	1.57
1 1/8	1.125	0.99	1.99
1 1/4	1.250	1.23	2.45
1 3/8	1.375	1.48	2.97
1 1/2	1.500	1.77	3.53
1 5/8	1.625	2.07	4.15
1 3/4	1.750	2.41	4.81
1 7/8	1.875	2.76	5.52
2	2.000	3.14	6.28

n = Number of columns of perforations

TABLE SB-2

EC-6 Rolled Erosion Control Products (RECP)



RECP-7 Urban Drainage and Flood Control District Urban Storm Drainage Criteria Manual Volume 3 November 2010

DATE: DEC 1, 2022  
PROJECT NO: 100.065  
SHEET NUMBER: C12.2  
TOTAL SHEETS: 20



**EC-2 Temporary and Permanent Seeding (TS/PS)**

Table TS/PS-2. Minimum Drill Seeding Rates for Perennial Grasses

Common Name	Botanical Name	Growth Season	Growth Form	Seeds/Pound	Pounds of PLS/acre
<b>Alkali Soil Seed Mix</b>					
Alkali sycamore	<i>Sporobolus airoides</i>	Cool	Bunch	1,750,000	0.25
Basin wildrye	<i>Elymus cinereus</i>	Cool	Bunch	165,000	2.5
Sodar streambank wheatgrass	<i>Agropyron riparium 'Sodar'</i>	Cool	Sod	170,000	2.5
Jose tall wheatgrass	<i>Agropyron elongatum 'Jose'</i>	Cool	Bunch	79,000	7.0
Arriba western wheatgrass	<i>Agropyron smithii 'Arriba'</i>	Cool	Sod	110,000	5.5
<b>Total</b>					<b>17.75</b>
<b>Fertile Loamy Soil Seed Mix</b>					
Ephraim crested wheatgrass	<i>Agropyron cristatum 'Ephraim'</i>	Cool	Sod	175,000	2.0
Dural hard fescue	<i>Festuca ovina 'duriuscula'</i>	Cool	Bunch	565,000	1.0
Lincoln smooth brome	<i>Bromus inermis leysii 'Lincoln'</i>	Cool	Sod	130,000	3.0
Sodar streambank wheatgrass	<i>Agropyron riparium 'Sodar'</i>	Cool	Sod	170,000	2.5
Arriba western wheatgrass	<i>Agropyron smithii 'Arriba'</i>	Cool	Sod	110,000	7.0
<b>Total</b>					<b>18.5</b>
<b>High Water Table Soil Seed Mix</b>					
Meadow foxtail	<i>Alopecurus pratensis</i>	Cool	Sod	900,000	0.5
Redtop	<i>Agrostis alba</i>	Warm	Open sod	5,000,000	0.25
Reed canarygrass	<i>Phalaris arundinacea</i>	Cool	Sod	68,000	0.5
Lincoln smooth brome	<i>Bromus inermis leysii 'Lincoln'</i>	Cool	Sod	130,000	3.0
Pathfinder switchgrass	<i>Panicum virgatum 'Pathfinder'</i>	Warm	Sod	389,000	1.0
Alkar tall wheatgrass	<i>Agropyron elongatum 'Alkar'</i>	Cool	Bunch	79,000	5.5
<b>Total</b>					<b>10.75</b>
<b>Transition Turf Seed Mix<sup>1</sup></b>					
Ruchens Canadian bluegrass	<i>Poa compressa 'Ruchens'</i>	Cool	Sod	2,500,000	0.5
Dural hard fescue	<i>Festuca ovina 'duriuscula'</i>	Cool	Bunch	565,000	1.0
Citation perennial ryegrass	<i>Lolium perenne 'Citation'</i>	Cool	Sod	247,000	3.0
Lincoln smooth brome	<i>Bromus inermis leysii 'Lincoln'</i>	Cool	Sod	130,000	3.0
<b>Total</b>					<b>7.5</b>

**Temporary and Permanent Seeding (TS/PS) EC-2**

Table TS/PS-2. Minimum Drill Seeding Rates for Perennial Grasses (cont.)

Common Name	Botanical Name	Growth Season	Growth Form	Seeds/Pound	Pounds of PLS/acre
<b>Sandy Soil Seed Mix</b>					
Blue grama	<i>Bouteloua gracilis</i>	Warm	Sod-forming bunchgrass	825,000	0.5
Camper little bluestem	<i>Schizachyrium scoparium 'Camper'</i>	Warm	Bunch	240,000	1.0
Prairie sandreed	<i>Calamovilfa longifolia</i>	Warm	Open sod	274,000	1.0
Sand dropseed	<i>Sporobolus cryptandrus</i>	Cool	Bunch	5,298,000	0.25
Vaughn sidecoats grama	<i>Bouteloua curtipendula 'Vaughn'</i>	Warm	Sod	191,000	2.0
Arriba western wheatgrass	<i>Agropyron smithii 'Arriba'</i>	Cool	Sod	110,000	5.5
<b>Total</b>					<b>10.25</b>
<b>Heavy Clay, Rocky Foothill Seed Mix</b>					
Ephraim crested wheatgrass <sup>1</sup>	<i>Agropyron cristatum 'Ephraim'</i>	Cool	Sod	175,000	1.5
Oahu Intermediate wheatgrass	<i>Agropyron intermedium 'Oahu'</i>	Cool	Sod	115,000	5.5
Vaughn sidecoats grama <sup>2</sup>	<i>Bouteloua curtipendula 'Vaughn'</i>	Warm	Sod	191,000	2.0
Lincoln smooth brome	<i>Bromus inermis leysii 'Lincoln'</i>	Cool	Sod	130,000	3.0
Arriba western wheatgrass	<i>Agropyron smithii 'Arriba'</i>	Cool	Sod	110,000	5.5
<b>Total</b>					<b>17.5</b>

<sup>1</sup> All of the above seeding mixes and rates are based on drill seeding followed by crimped straw mulch. These rates should be doubled if seed is broadcast and should be increased by 50 percent if the seeding is done using a Brillion Drill or is applied through hydraulic seeding. Hydraulic seeding may be substituted for drilling only where slopes are steeper than 3:1. If hydraulic seeding is used, hydraulic mulching should be done as a separate operation.  
<sup>2</sup> See Table TS/PS-3 for seeding dates.  
<sup>3</sup> If site is to be irrigated, the transition turf seed rates should be doubled.  
<sup>4</sup> Crested wheatgrass should not be used on slopes steeper than 6H to 1V.  
<sup>5</sup> Can substitute 0.5 lbs PLS of blue grama for the 2.0 lbs PLS of Vaughn sidecoats grama.

**Temporary and Permanent Seeding (TS/PS) EC-2**

Seeding dates for the highest success probability of perennial species along the Front Range are generally in the spring from April through early May and in the fall after the first of September until the ground freezes. If the area is irrigated, seeding may occur in summer months, as well. See Table TS/PS-3 for appropriate seeding dates.

Table TS/PS-1. Minimum Drill Seeding Rates for Various Temporary Annual Grasses

Species* (Common name)	Growth Season	Pounds of Pure Live Seed (PLS)/acre	Planting Depth (inches)
1. Oats	Cool	35 - 50	1 - 2
2. Spring wheat	Cool	25 - 35	1 - 2
3. Spring barley	Cool	25 - 35	1 - 2
4. Annual ryegrass	Cool	10 - 15	½
5. Millet	Warm	3 - 15	½ - ¾
6. Sudangrass	Warm	5-10	½ - ¾
7. Sorghum	Warm	5-10	½ - ¾
8. Winter wheat	Cool	20-35	1 - 2
9. Winter barley	Cool	20-35	1 - 2
10. Winter rye	Cool	20-35	1 - 2
11. Triticale	Cool	25-40	1 - 2

<sup>1</sup> Successful seeding of annual grass resulting in adequate plant growth will usually produce enough dead-plant residue to provide protection from wind and water erosion for an additional year. This assumes that the cover is not disturbed or mowed closer than 8 inches.  
 Hydraulic seeding may be substituted for drilling only where slopes are steeper than 3:1 or where access limitations exist. When hydraulic seeding is used, hydraulic mulching should be applied as a separate operation, when practical, to prevent the seeds from being encapsulated in the mulch.  
<sup>2</sup> See Table TS/PS-3 for seeding dates. Irrigation, if consistently applied, may extend the use of cool season species during the summer months.  
<sup>3</sup> Seeding rates should be doubled if seed is broadcast, or increased by 50 percent if done using a Brillion Drill or by hydraulic seeding.

**EC-2 Temporary and Permanent Seeding (TS/PS)**

Table TS/PS-3. Seeding Dates for Annual and Perennial Grasses

Seeding Dates	Annual Grasses (Numbers in table reference species in Table TS/PS-4)		Perennial Grasses	
	Warm	Cool	Warm	Cool
January 1-March 15			✓	✓
March 16-April 30	4	1,2,3	✓	✓
May 1-May 15	4		✓	
May 16-June 30	4,5,6,7			
July 1-July 15	5,6,7			
July 16-August 31				
September 1-September 30		8,9,10,11		
October 1-December 31			✓	✓

**Mulch**  
 Cover seeded areas with mulch or an appropriate rolled erosion control product to promote establishment of vegetation. Anchor mulch by crimping, netting or use of a non-toxic tackifier. See the Mulching BMP Fact Sheet for additional guidance.

**Maintenance and Removal**  
 Monitor and observe seeded areas to identify areas of poor growth or areas that fail to germinate. Reseed and mulch these areas, as needed.

An area that has been permanently seeded should have a good stand of vegetation within one growing season if irrigated and within three growing seasons without irrigation in Colorado. Reseed portions of the site that fail to germinate or remain bare after the first growing season.

Seeded areas may require irrigation, particularly during extended dry periods. Targeted weed control may also be necessary.

Protect seeded areas from construction equipment and vehicle access.

**CORE ENGINEERING GROUP**  
 1500 S. AVENUE 103  
 BOULDER, CO 80506  
 TEL: 719.576.1100  
 CONTACT: RICHARD L. SCHINDLER, P.E.  
 EMAIL: Rich@eg1.com

DATE: \_\_\_\_\_

DESCRIPTION: \_\_\_\_\_

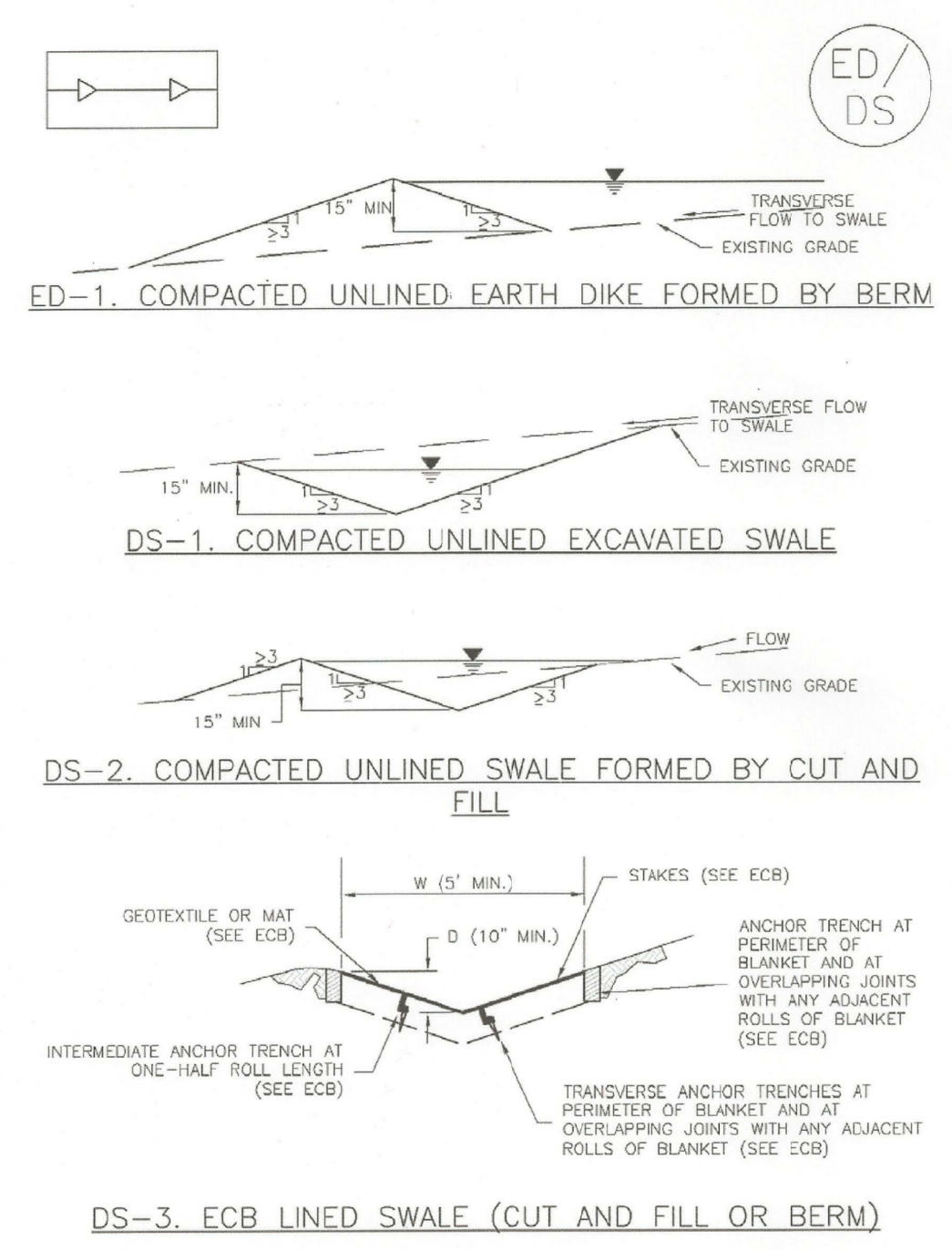
NO. \_\_\_\_\_

PREPARED FOR: **LORSON, LLC**  
 212 N. WAHSATCH AVE, SUITE 301  
 COLORADO SPRINGS, COLORADO 80903  
 (719) 635-3200  
 CONTACT: JEFF MARK

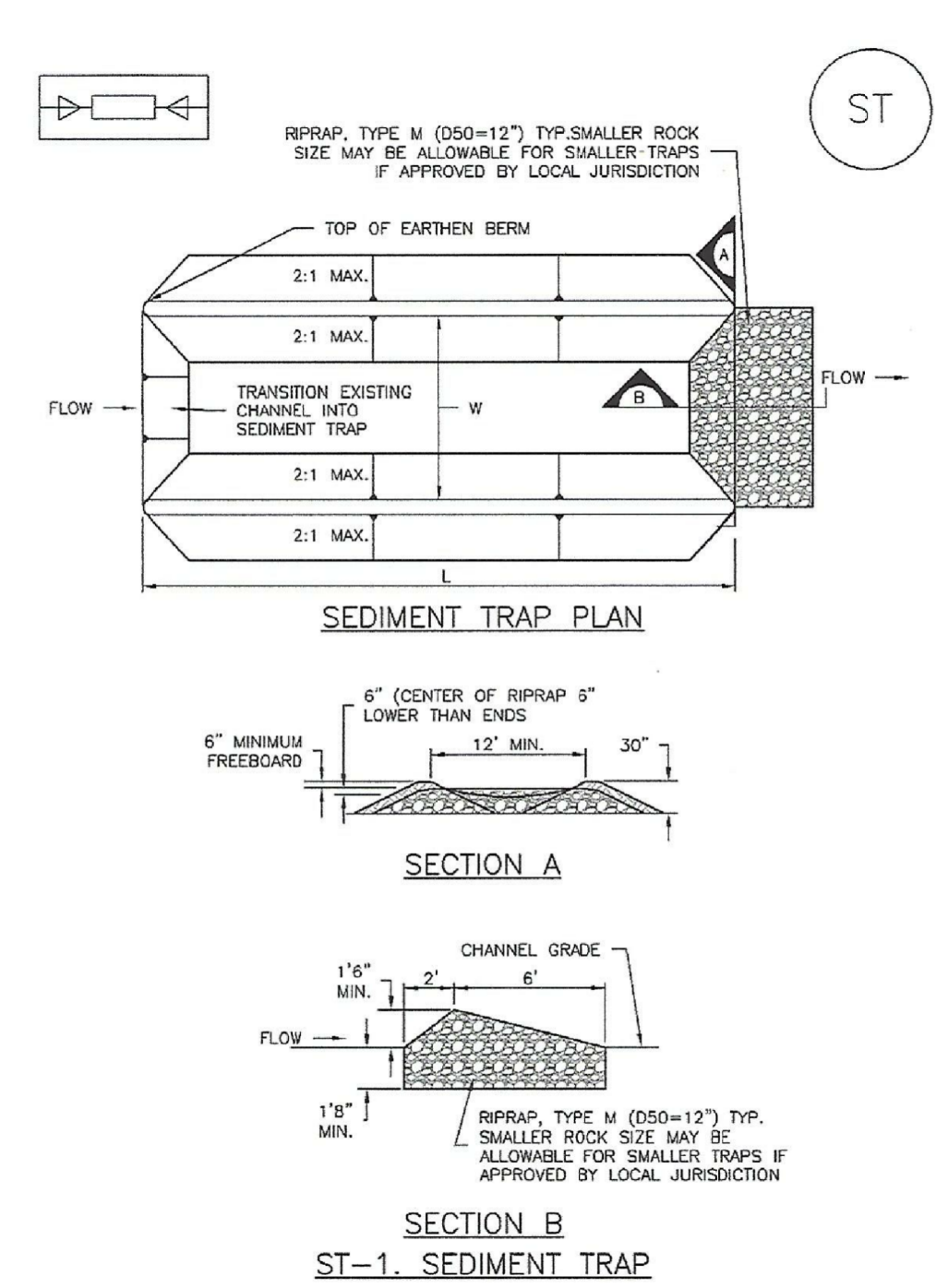
PROJECT: **HILLSIDE AT LORSON RANCH**  
 LORSON BLVD. - WALLEYE DR.  
 COLORADO SPRINGS, COLORADO

DRAWN: RLS  
 DESIGNED: RLS  
 CHECKED: RLS

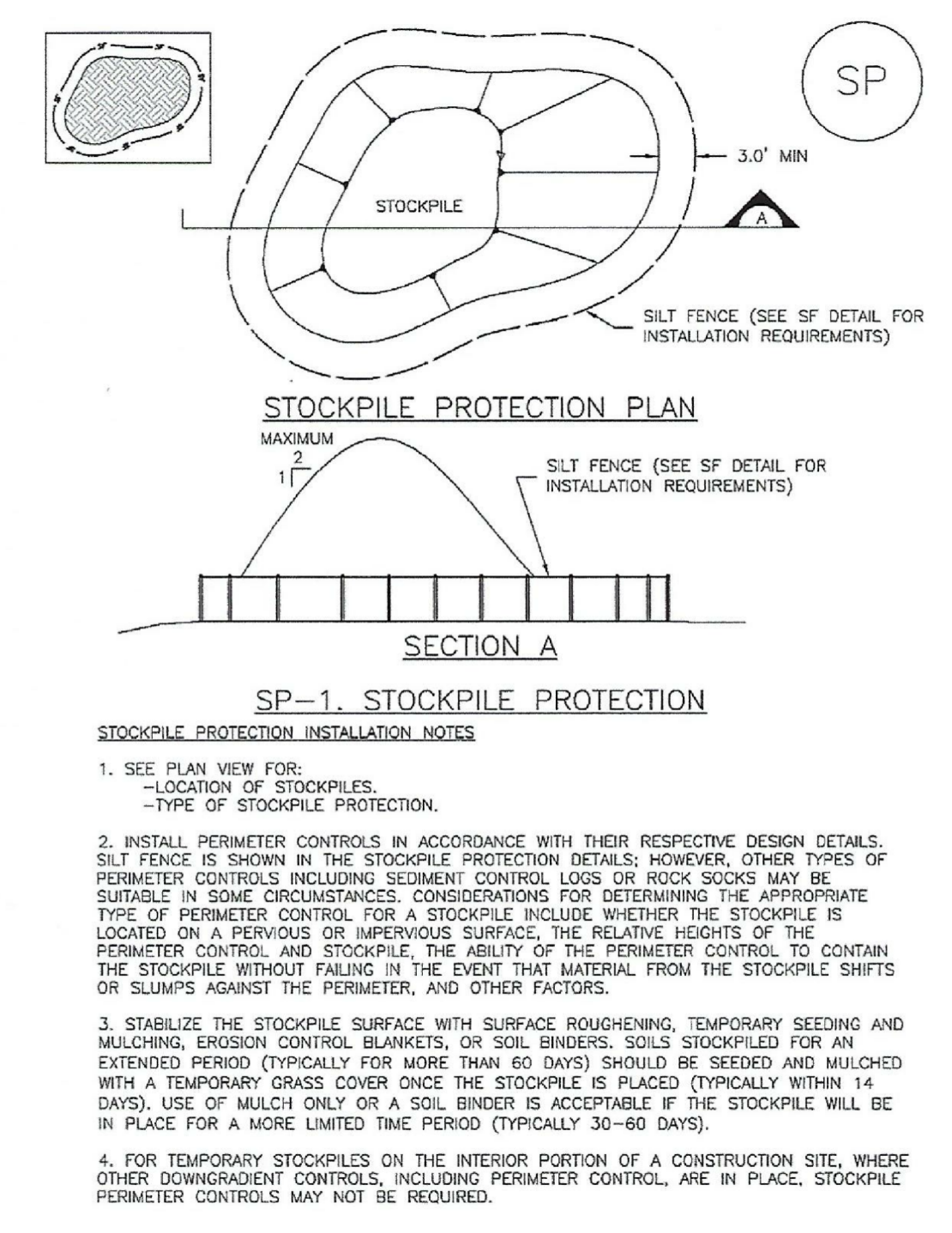
**Earth Dikes and Drainage Swales (ED/DS) EC-10**



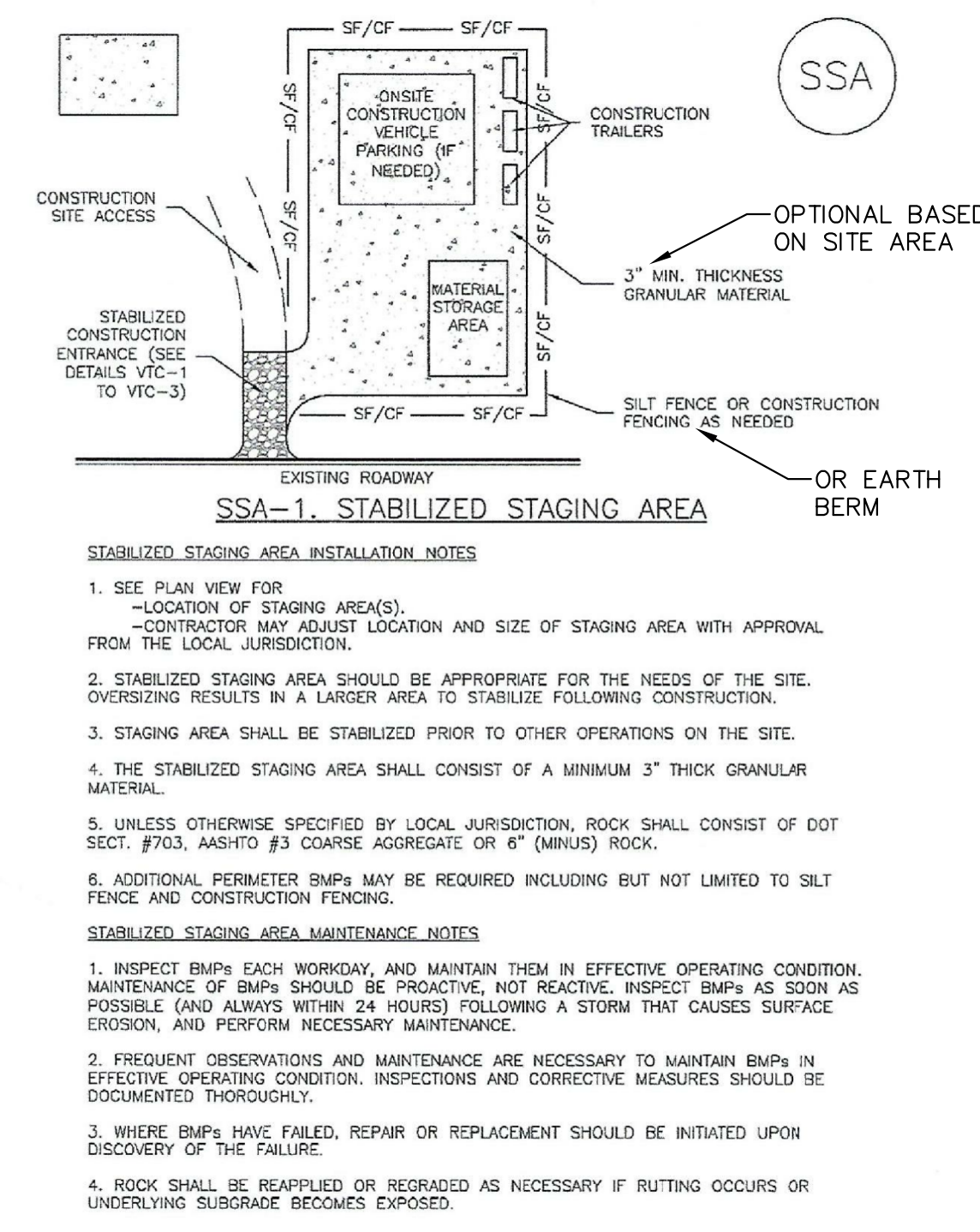
**ST-8 Sediment Trap (ST) November 2010**



**Stockpile Management (SP) MM-2**

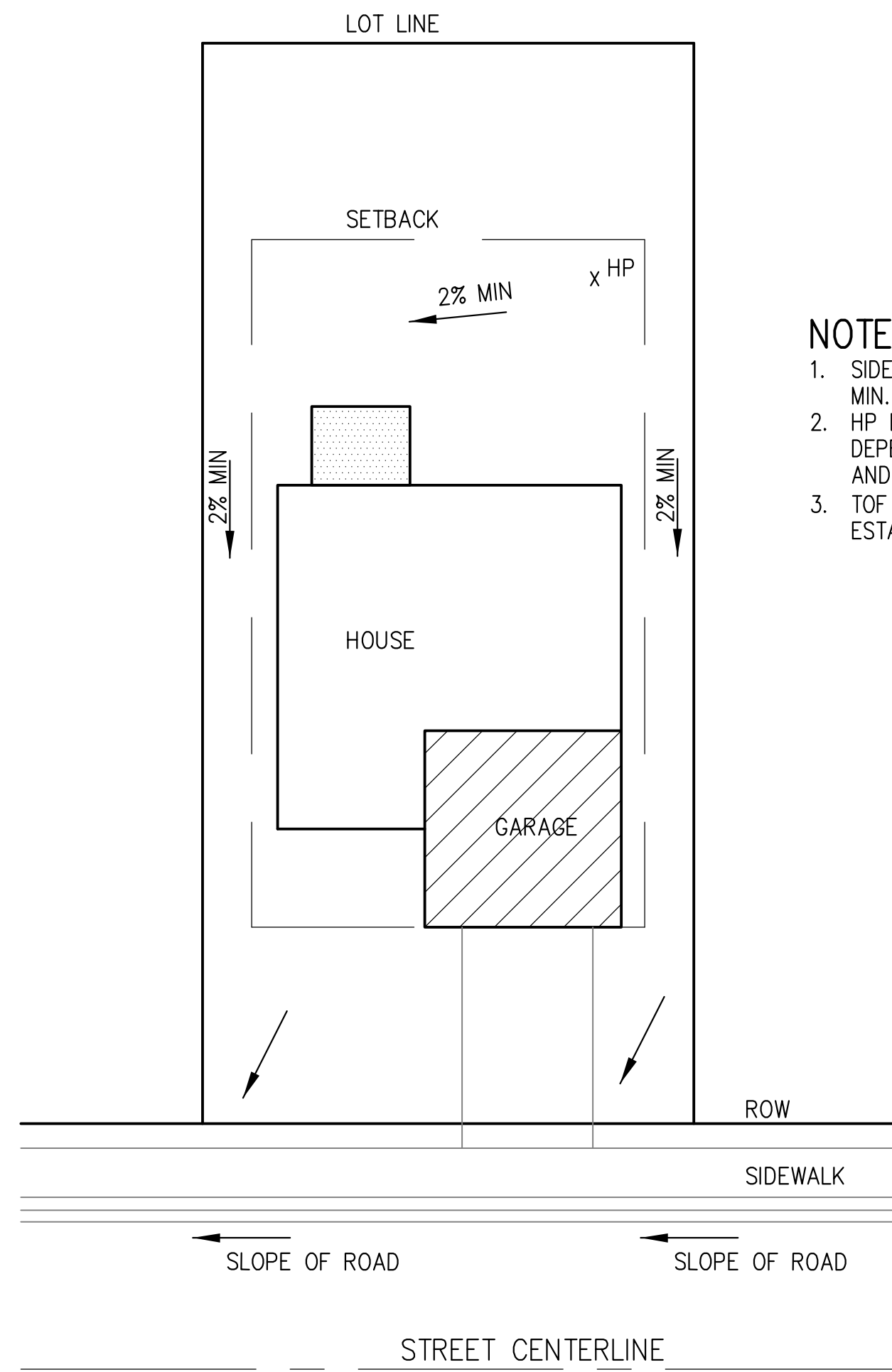


**Stabilized Staging Area (SSA) SM-6**



**GRADING AND EROSION CONTROL DETAILS**

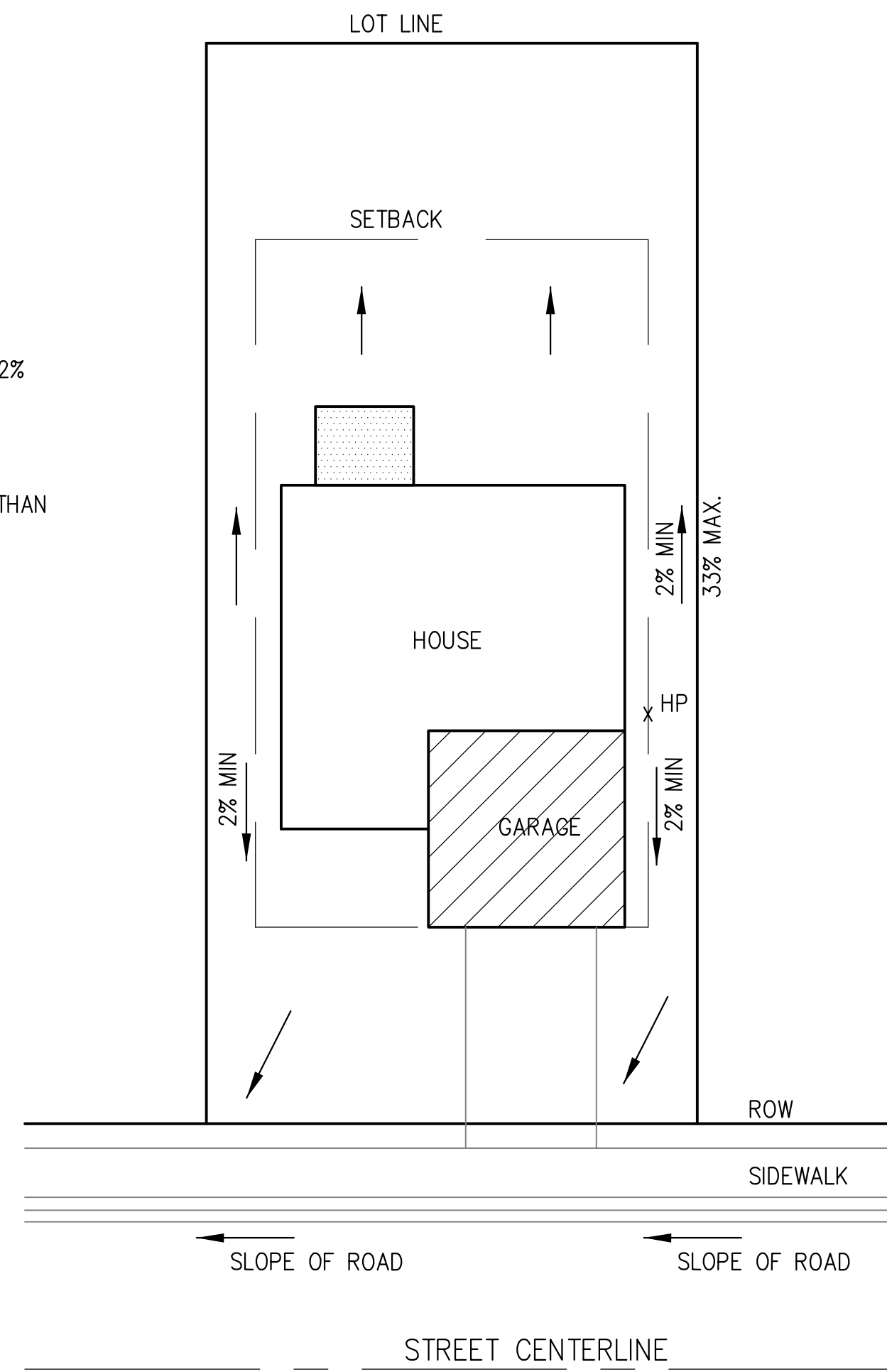




**TYPICAL "A" LOT DRAINAGE PATTERN**  
N.T.S.

**NOTES:**

1. SIDEYARD SWALE TO BE CONSTRUCTED AT 2% MIN. SLOPE.
2. HP LOCATION ON EACH LOT WILL VARY DEPENDING UPON EXACT HOUSE FOOTPRINT AND LOCATION
3. TOF ELEVATION MUST BE MIN. 18" HIGHER THAN ESTABLISHED HP.



**TYPICAL "B", "G", "W/O" LOT DRAINAGE PATTERN**  
N.T.S.

**MULCHING NOTES**

**INSTALLATION REQUIREMENTS**

1. ALL DISTURBED AREAS MUST BE MULCHED WITHIN 21 DAYS AFTER FINAL GRADE AND SEEDING AREAS ARE TO BE MULCHED WITHIN 24 HOURS AFTER SEEDING.
2. MATERIAL USED FOR MULCH CAN BE CERTIFIED CLEAN, WEED- AND SEED-FREE LONG STEMMED FIELD OR MARSH HAY, OR STRAW OF OATS, BARLEY, WHEAT, RYE, OR TRITICALE CERTIFIED BY THE COLORADO DEPARTMENT OF AGRICULTURE WEED FREE FORAGE CERTIFICATION PROGRAM.
3. HYDRAULIC MULCHING MATERIAL SHALL CONSIST OF VIRGIN WOOD CHIPER MANUFACTURED FROM CLEAN WHOLE WOOD CHIPS. WOOD CHIPS CANNOT CONTAIN ANY GROWTH OR GERMINATION INHIBITORS OR BE PRODUCED FROM RECYCLED MATERIAL. GRAVEL CAN ALSO BE USED.
4. MULCH IS TO BE APPLIED EVENLY AT A RATE OF 2 TONS PER ACRE.
5. MULCH IS TO BE ANCHORED EITHER BY GRIPPING (TUCKING MULCH FIBERS 4 INCHES INTO THE SOIL) USING NETTING (USED ON SMALL AREAS WITH STEEP SLOPES), OR WITH A TACKIFIER.
6. HYDRAULIC MULCHING AND TACKIFIERS ARE NOT TO BE USED IN THE PRESENCE OF FREE SURFACE WATER.

**MAINTENANCE REQUIREMENTS**

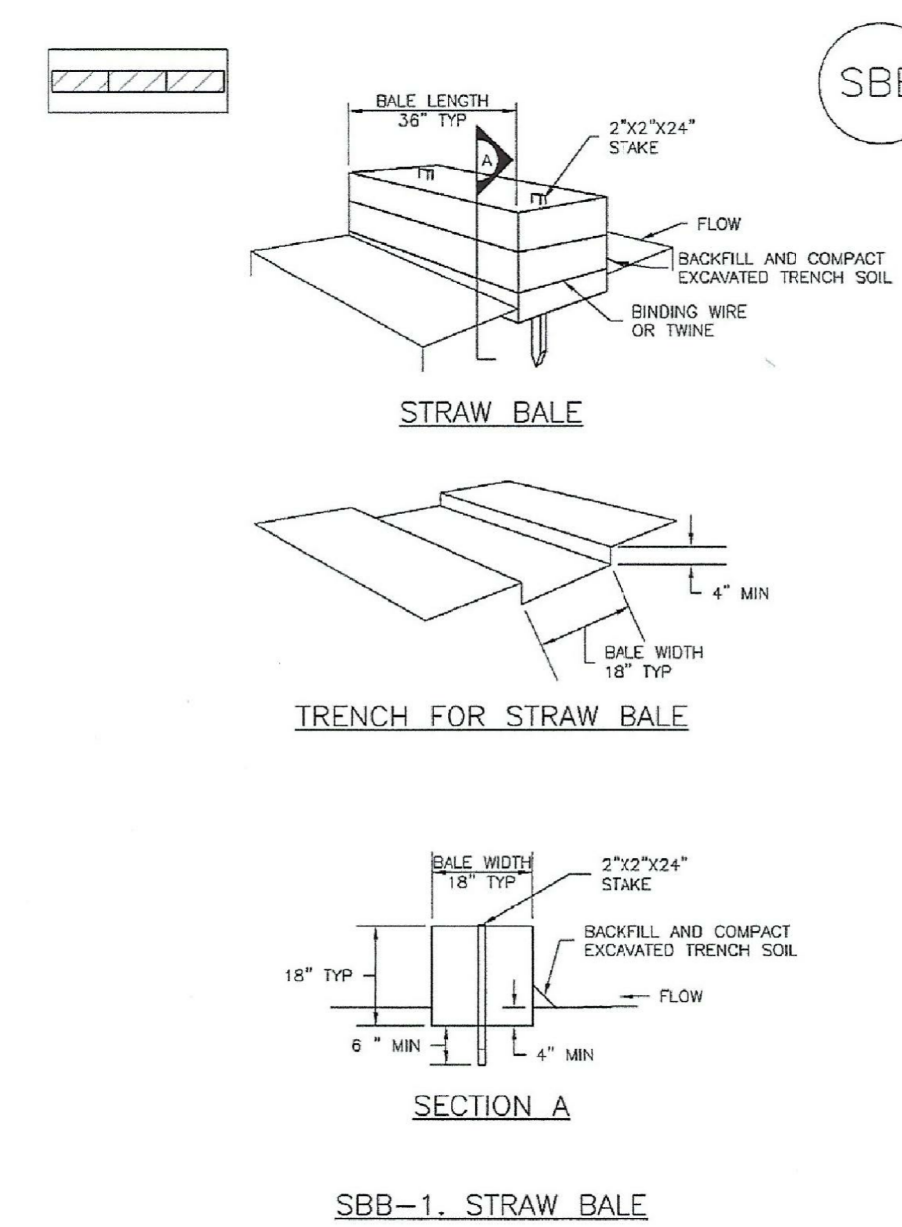
1. REGULAR INSPECTIONS ARE TO BE MADE OF ALL MULCHED AREAS.
2. MULCH IS TO BE REPLACED IMMEDIATELY IN THOSE AREAS IT HAS BEEN REMOVED, AND IF NECESSARY THE AREA SHOULD BE RESEEDING.

City of Colorado Springs  
Stormwater Quality

Figure MU-1  
Mulching  
Construction Detail and Maintenance  
Requirements

**SC-3**

**Straw Bale Barrier (SBB)**



SBB-2

Urban Drainage and Flood Control District  
Urban Storm Drainage Criteria Manual Volume 3

November 2010

**CORE**  
**ENGINEERING GROUP**

1500 S. 1ST AVENUE, SUITE 100  
DENVER, CO 80202  
PH: 719.570.1100  
CONTACT: RICHARD L. SCHINDLER, P.E.  
EMAIL: Rich@ceg1.com

DATE: \_\_\_\_\_  
DESCRIPTION: \_\_\_\_\_  
NO: \_\_\_\_\_

PREPARED FOR:  
**LORSON, LLC**  
212 N. WAHSATCH AVE, SUITE 301  
COLORADO SPRINGS, COLORADO 80903  
(719) 635-3200  
CONTACT: JEFF MARK

PROJECT:  
**HILLSIDE AT LORSON RANCH**  
LORSON BLVD. - WALLEYE DR.  
COLORADO SPRINGS, COLORADO

DRAWN: RLS  
DESIGNED: RLS  
CHECKED: RLS

**GRADING AND EROSION CONTROL DETAILS**

DATE:  
DEC 1, 2022

PROJECT NO.  
100.065

SHEET NUMBER  
C12.4

TOTAL SHEETS: 20