



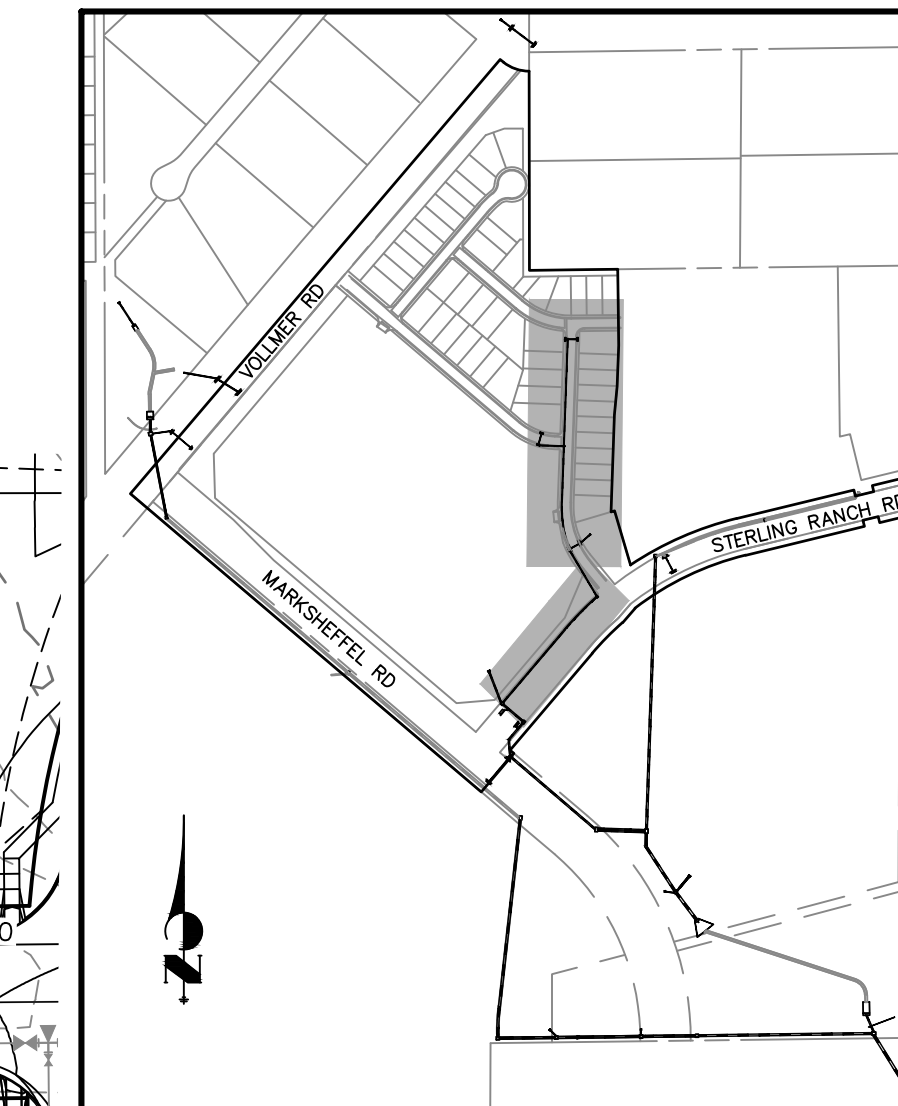
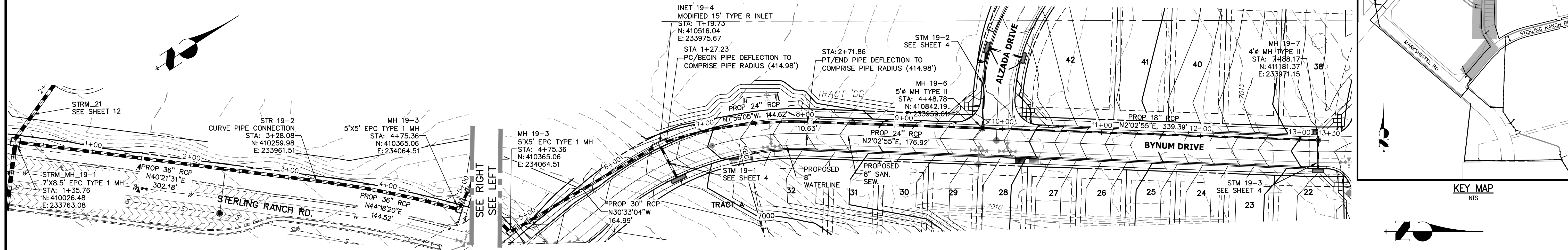






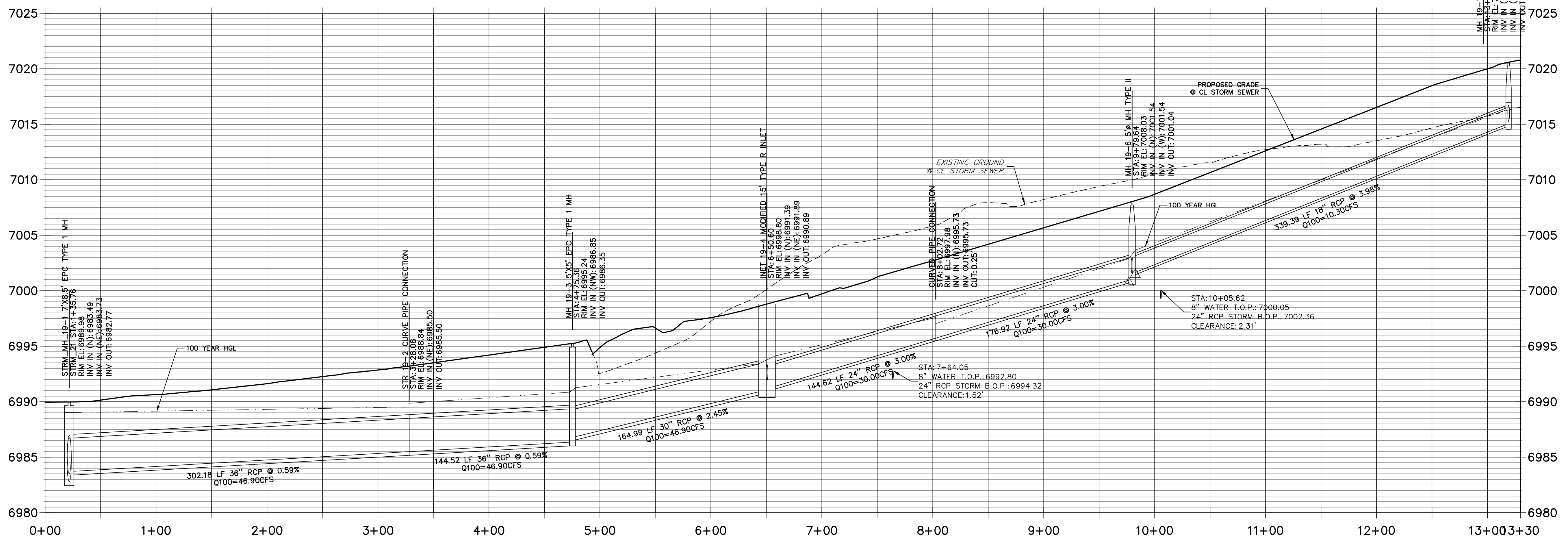


Know what's below.  
Call before you dig.



HORIZONTAL  
ORIGINAL SCALE: 1" = 50'  
VERTICAL  
ORIGINAL SCALE: 1" = 5'

### STRM\_19 PROFILE STA 0+00.00 TO 13+29.82 PUBLIC



**NOTE**  
WATER TIGHT JOINTS  
REQUIRED WHERE HGL IS  
OUTSIDE OF THE PIPE.

UNTIL SUCH TIME AS  
THESE DRAWINGS ARE  
APPROVED BY THE  
APPROPRIATE REVIEWING  
AGENCIES, OR ENGINEERING  
APPROVES THEIR USE,  
DESIGNATED BY WRITTEN  
AUTHORIZATION.

PREPARED FOR  
**SR LAND, LLC**  
20 BOULDER CRESCENT  
SUITE 201  
COLORADO SPRINGS, CO 80903  
JAMES F. MORLEY  
(719) 471-1742

**J.R. ENGINEERING**  
A Westman Company  
Central 303-740-9888 • Colorado Springs 719-583-2593  
Fort Collins 970-491-9888 • www.jrengineering.com

No.	REVISION	BY	DATE

H-SCALE	V-SCALE	DATE	DESIGNED BY	DRAWN BY	CHECKED BY
1"=50'	1"=5'	08/18/21	RAB	KRW	

STERLING RANCH FILING NO.2  
STORM SEWER PLANS

SHEET 3 OF 26  
JOB NO. 25188.01

EPC 11/17/2021

**ENGINEER'S STATEMENT**  
PREPARED UNDER MY DIRECT SUPERVISION

*Mike Bramlett*  
MIKE A. BRAMLETT, P.E.  
COLORADO P.E. 32314  
FOR AND ON BEHALF OF JR ENGINEERING

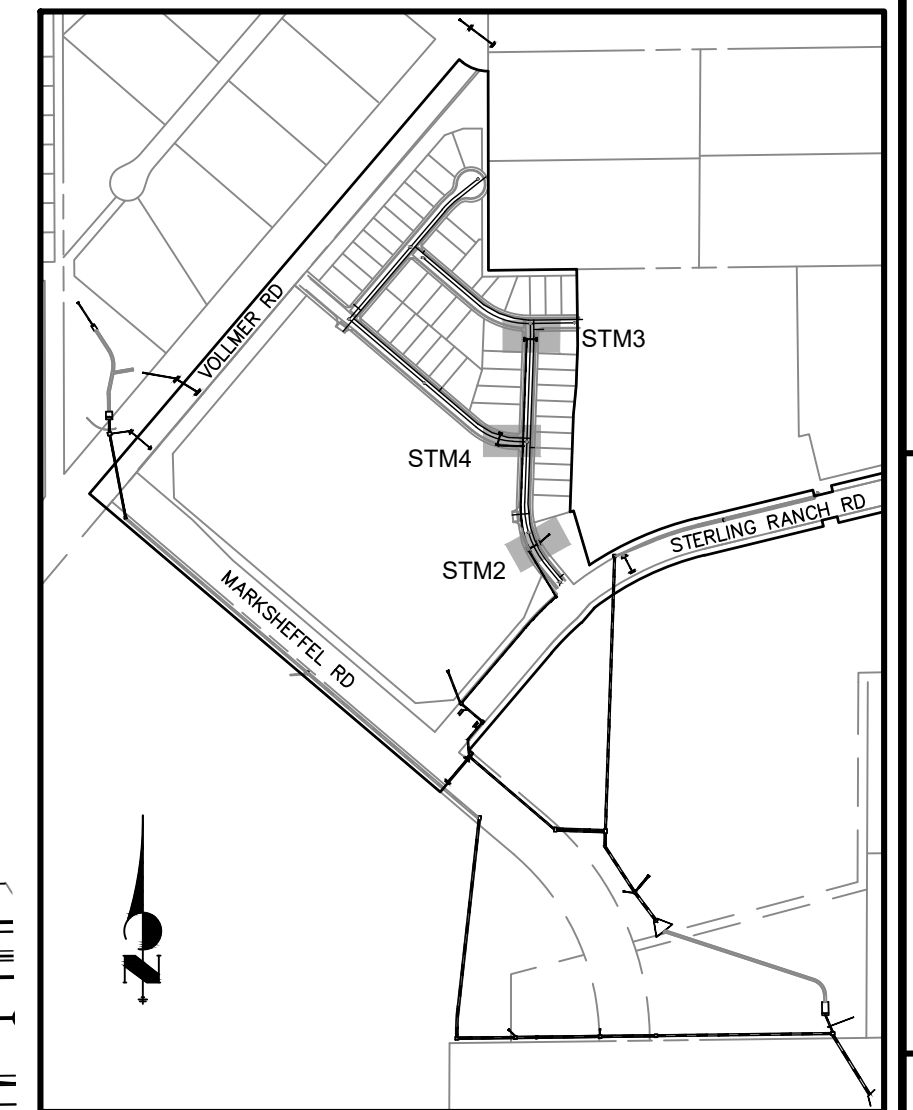
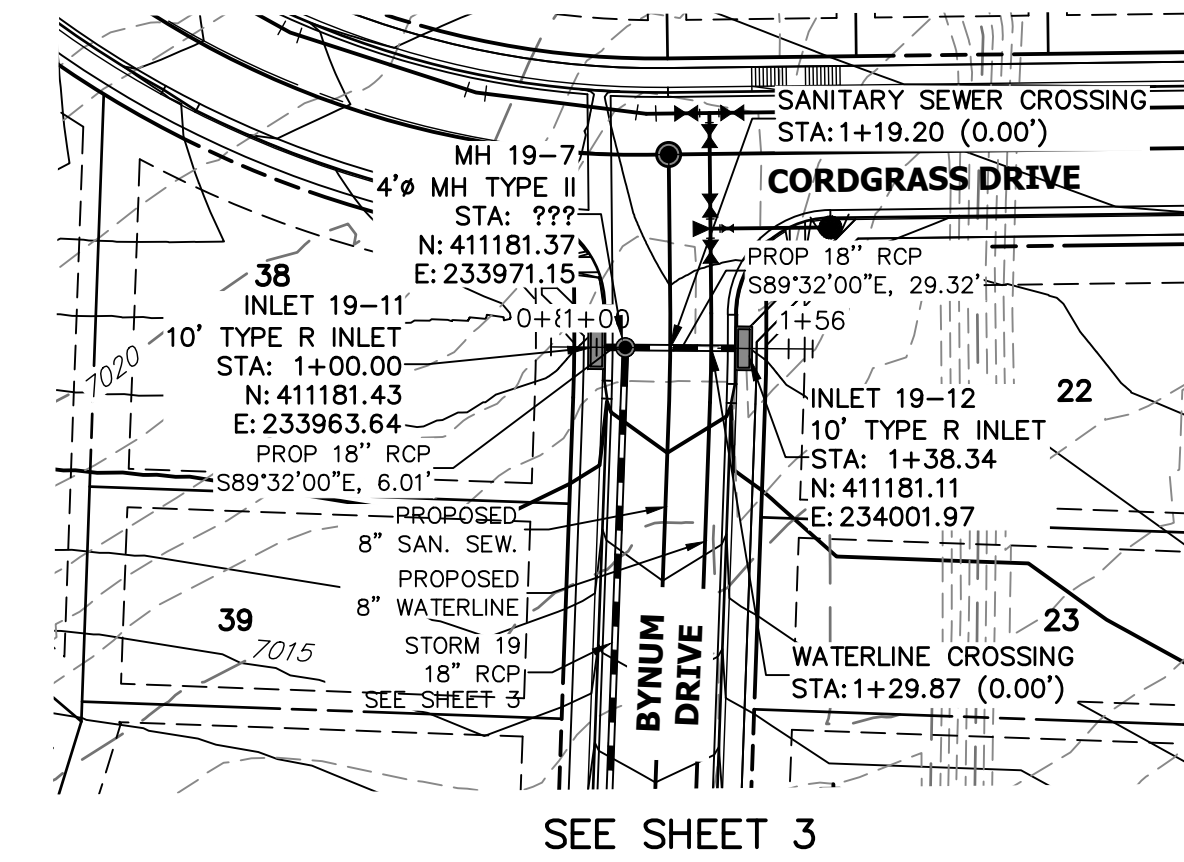
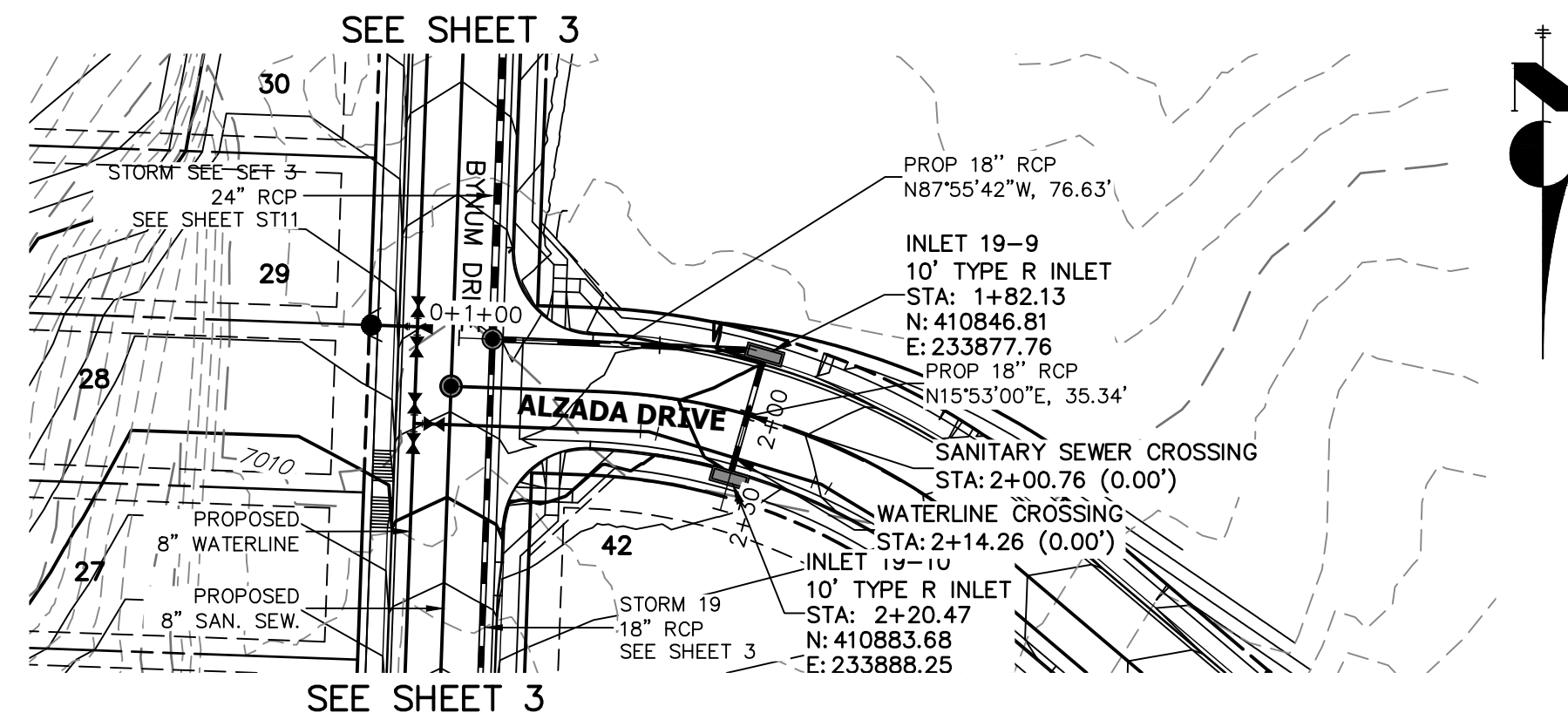
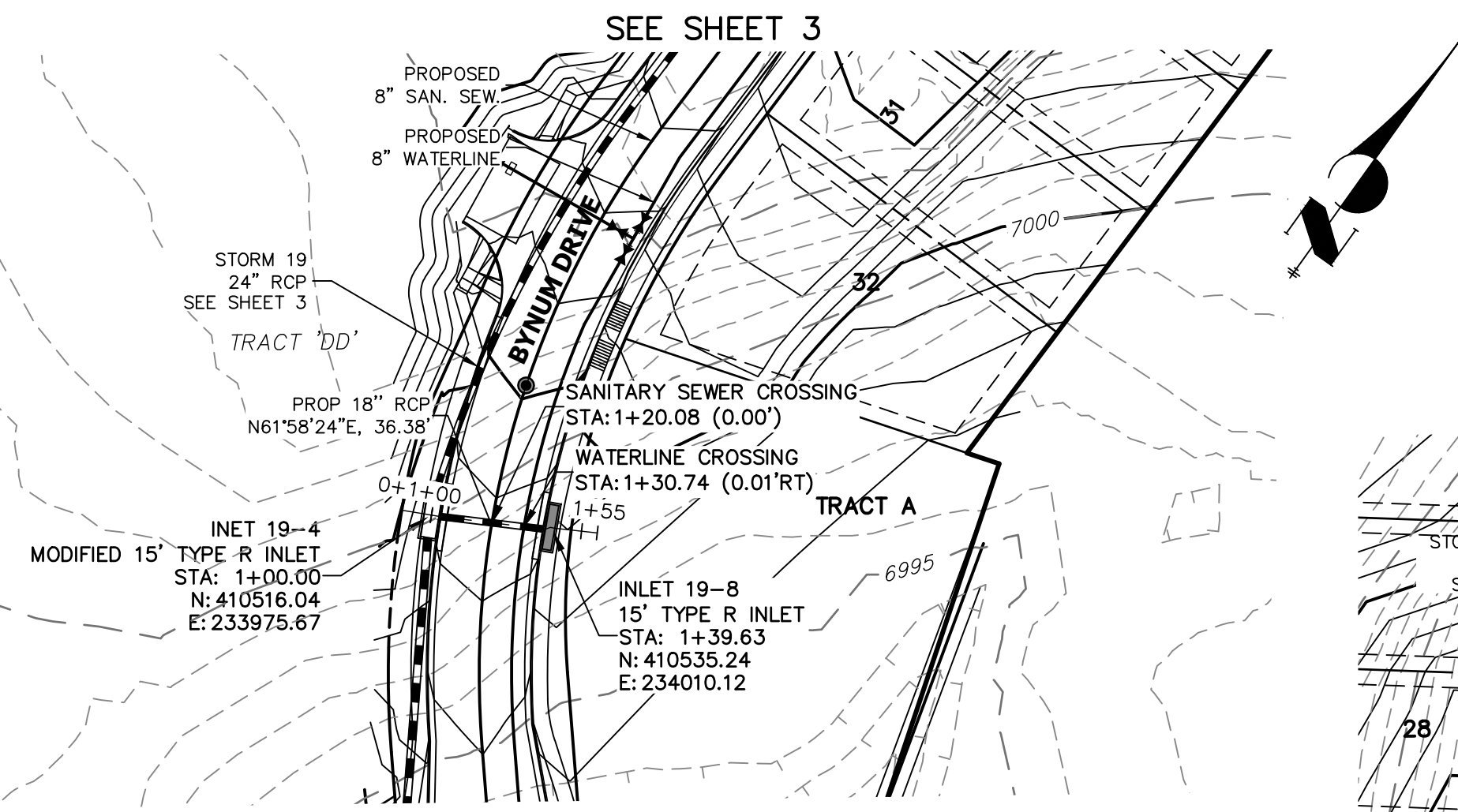
32314  
8/18/2021  
DATE





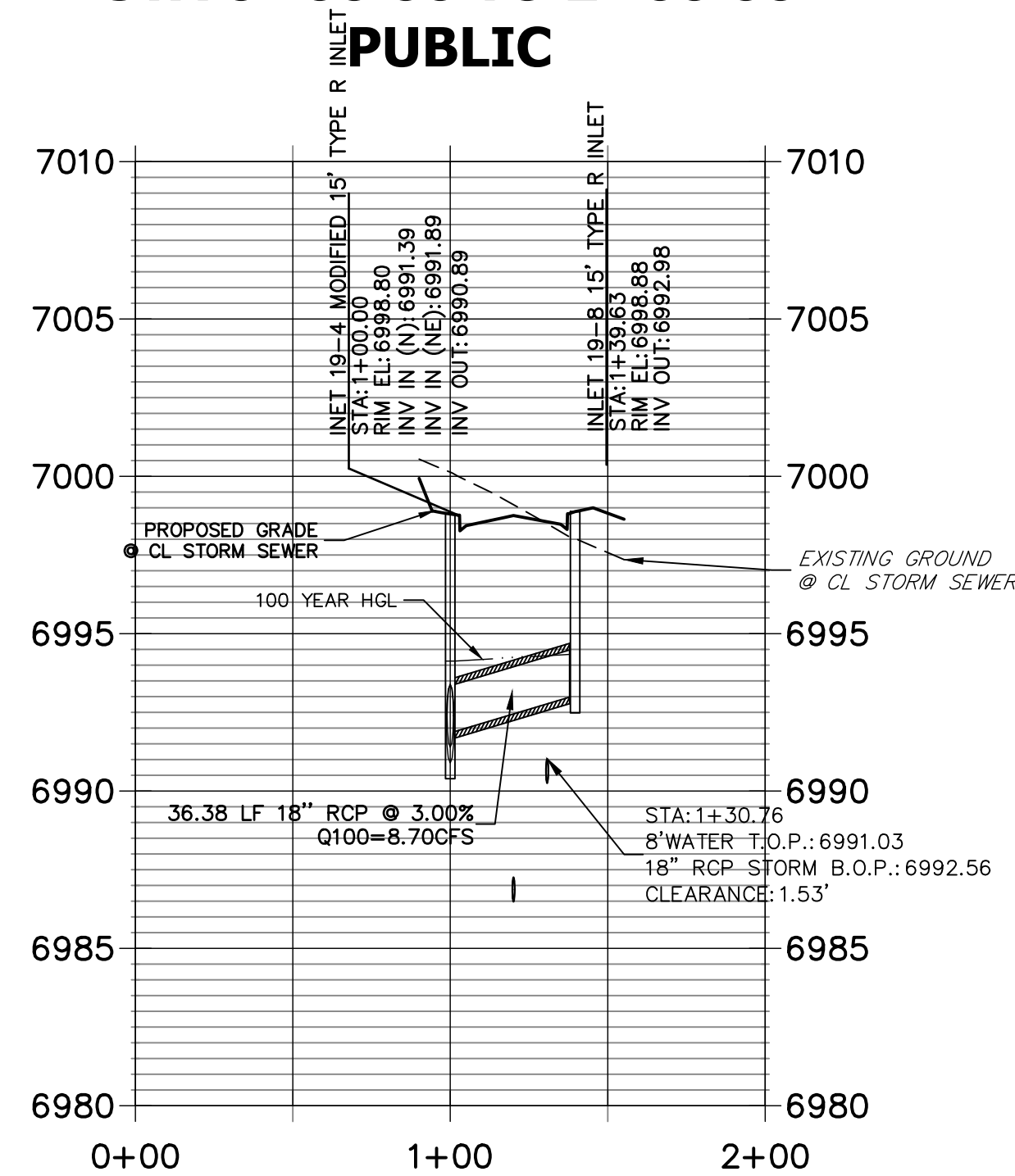
Know what's below.  
Call before you dig.

HORIZONTAL  
ORIGINAL SCALE: 1" = 50'  
VERTICAL  
ORIGINAL SCALE: 1" = 5'

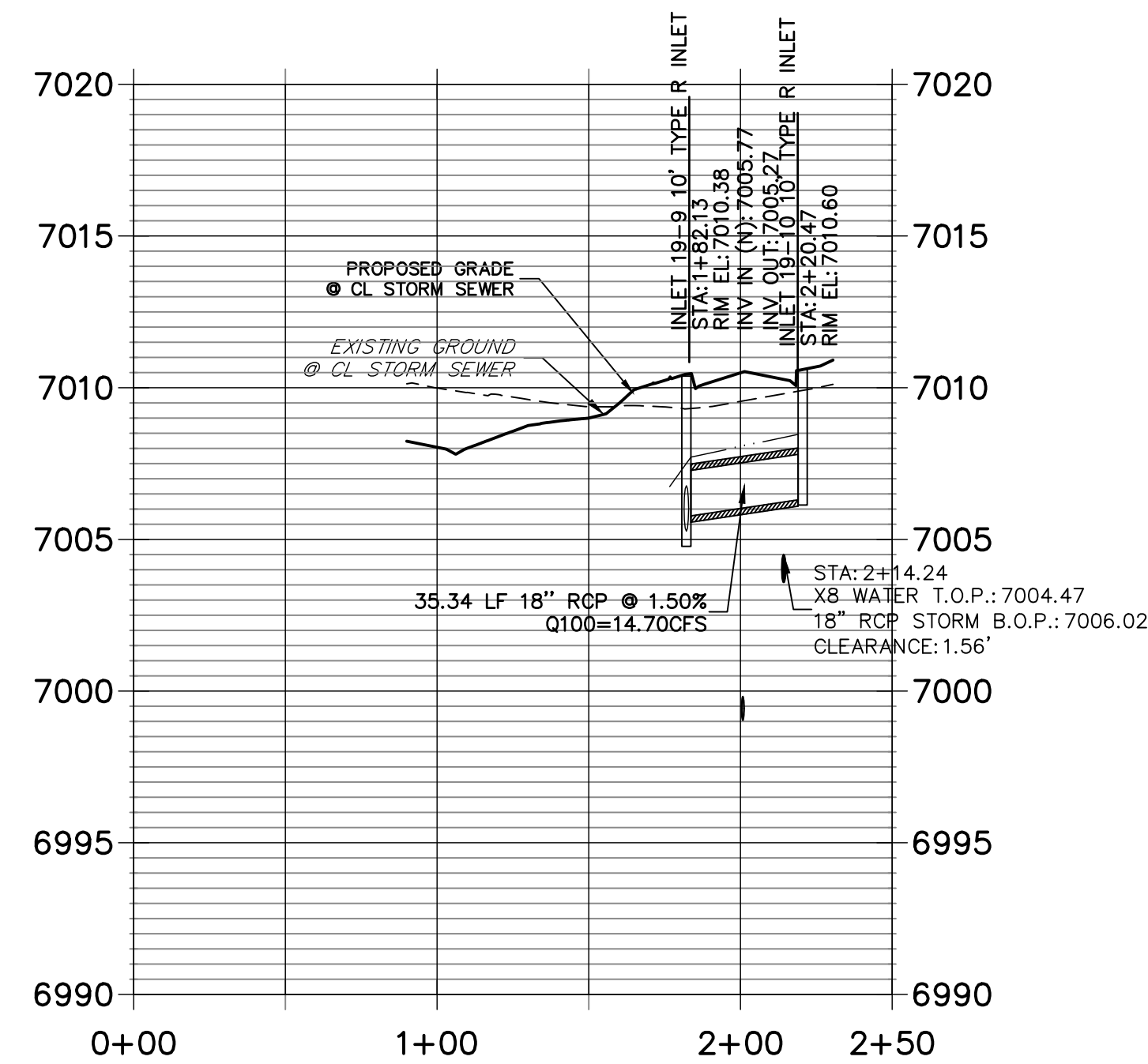


KEY MAP  
NTS

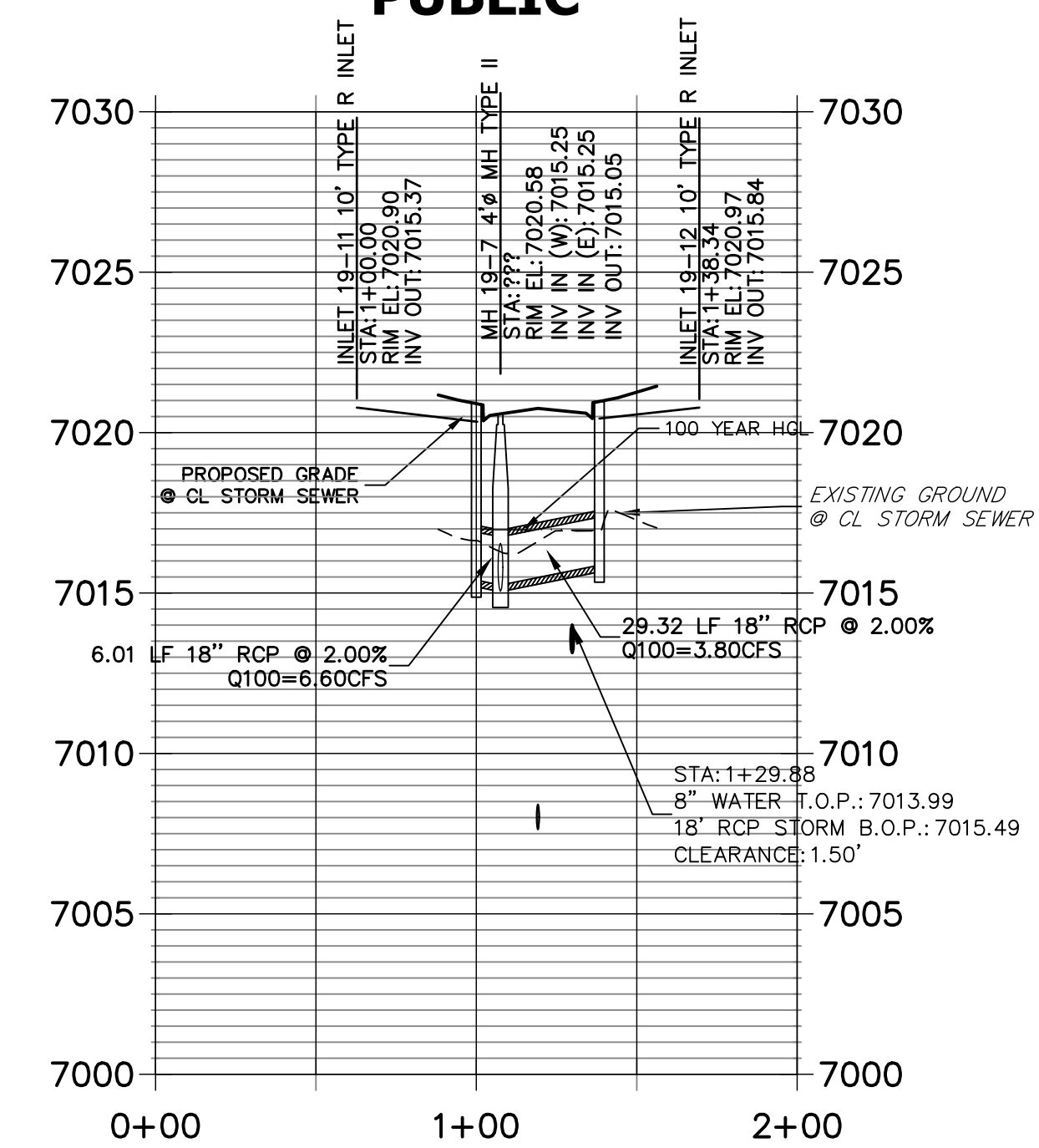
**STRM\_19\_LAT 1 PROFILE  
STA 0+00.00 TO 2+00.00  
PUBLIC**



**STRM\_19\_LAT 2 PROFILE  
STA 0+00.00 TO 2+50.00  
PUBLIC**



**STRM\_19\_LAT 3 PROFILE  
STA 0+00.00 TO 2+00.00  
PUBLIC**



**NOTE**  
WATER TIGHT JOINTS  
REQUIRED WHERE HGL IS  
OUTSIDE OF THE PIPE.

EPC 11/17/2021

**ENGINEER'S STATEMENT**

PREPARED UNDER MY DIRECT SUPERVISION

*Mike Bramlett*  
MIKE A. BRAMLETT, P.E.  
COLORADO P.E. 32314

FOR AND ON BEHALF OF JR ENGINEERING

DATE: 8/18/2021  
PROFESSIONAL ENGINEER  
32314

H-SCALE	V-SCALE	DATE	DESIGNED BY	DRAWN BY	CHECKED BY	No.	REVISION	BY DATE	
1"=50'	1"=5'	08/18/21	RAB	KRW					

STERLING RANCH FILING NO.2  
STORM SEWER PLANS  
SHEET 4 OF 26  
JOB NO. 25188.01

**J.R. ENGINEERING**  
A Westman Company  
Central 300-740-9383 • Colorado Springs 719-583-2593  
Fort Collins 970-491-9888 • www.jrengineering.com

PREPARED FOR  
**SR LAND, LLC**  
20 BOULDER CRESCENT  
SUITE 201  
COLORADO SPRINGS, CO 80903  
JAMES F. MORLEY  
(719) 471-1742

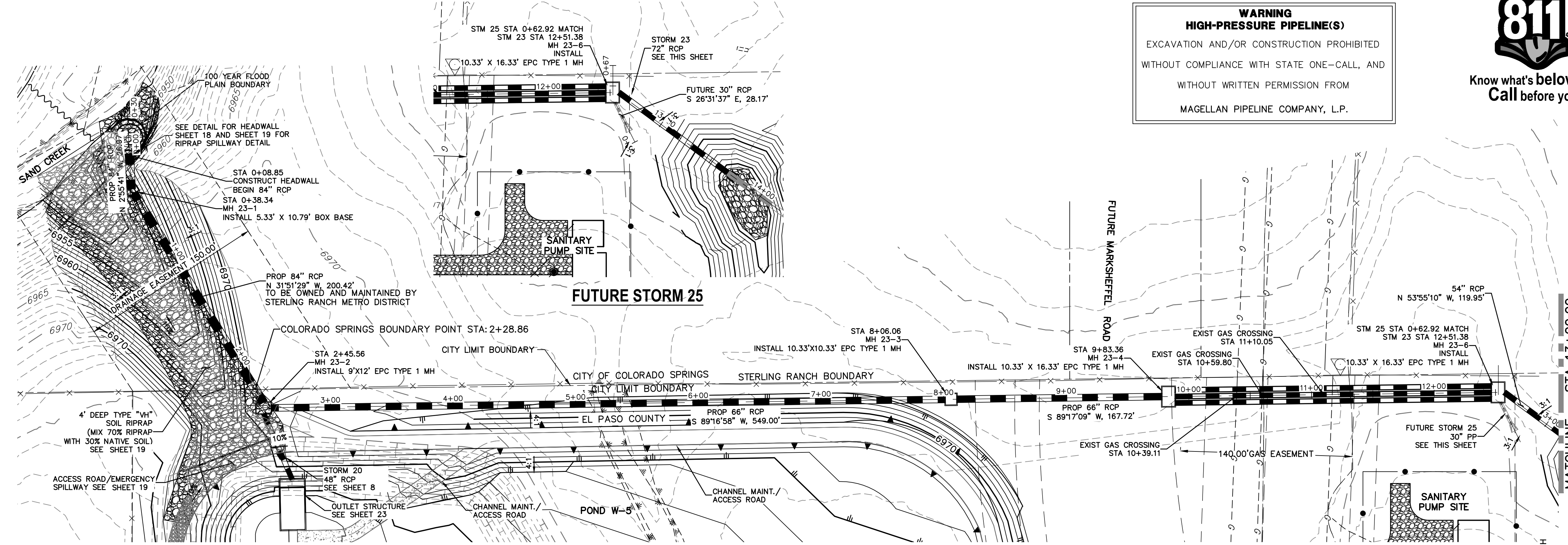
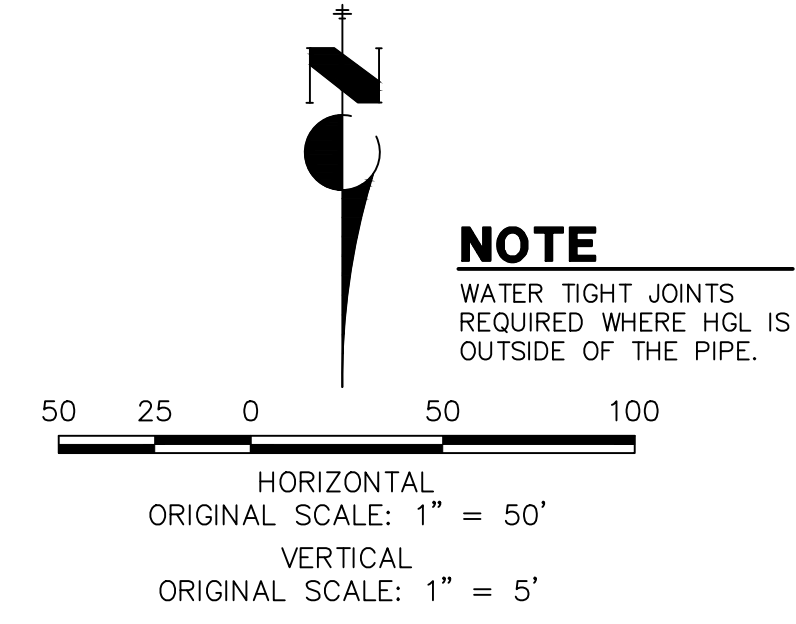
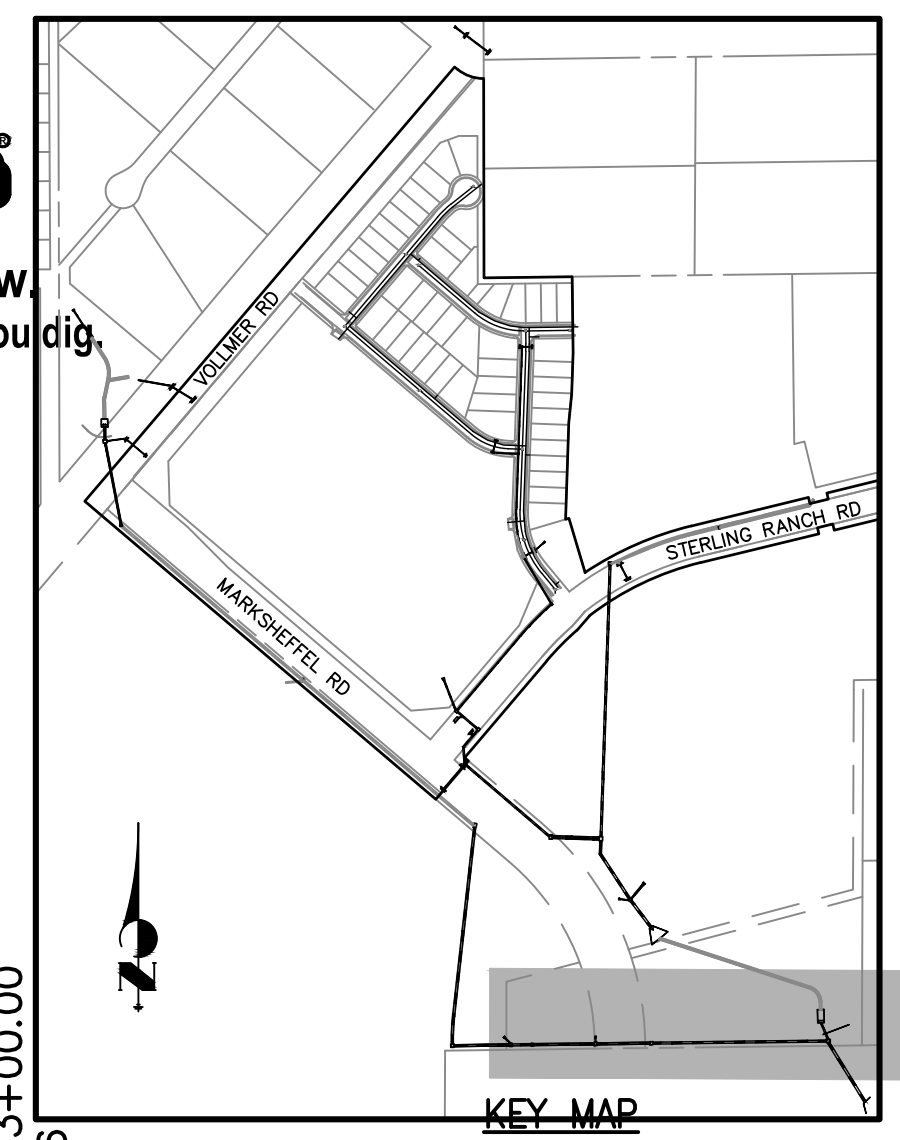
UNTIL SUCH TIME AS  
THESE DRAWINGS ARE  
APPROVED BY THE  
APPROPRIATE REVIEWING  
AGENCIES, JR ENGINEERING  
APPROVES THEIR USE  
DESIGNATED BY WRITTEN  
AUTHORIZATION.





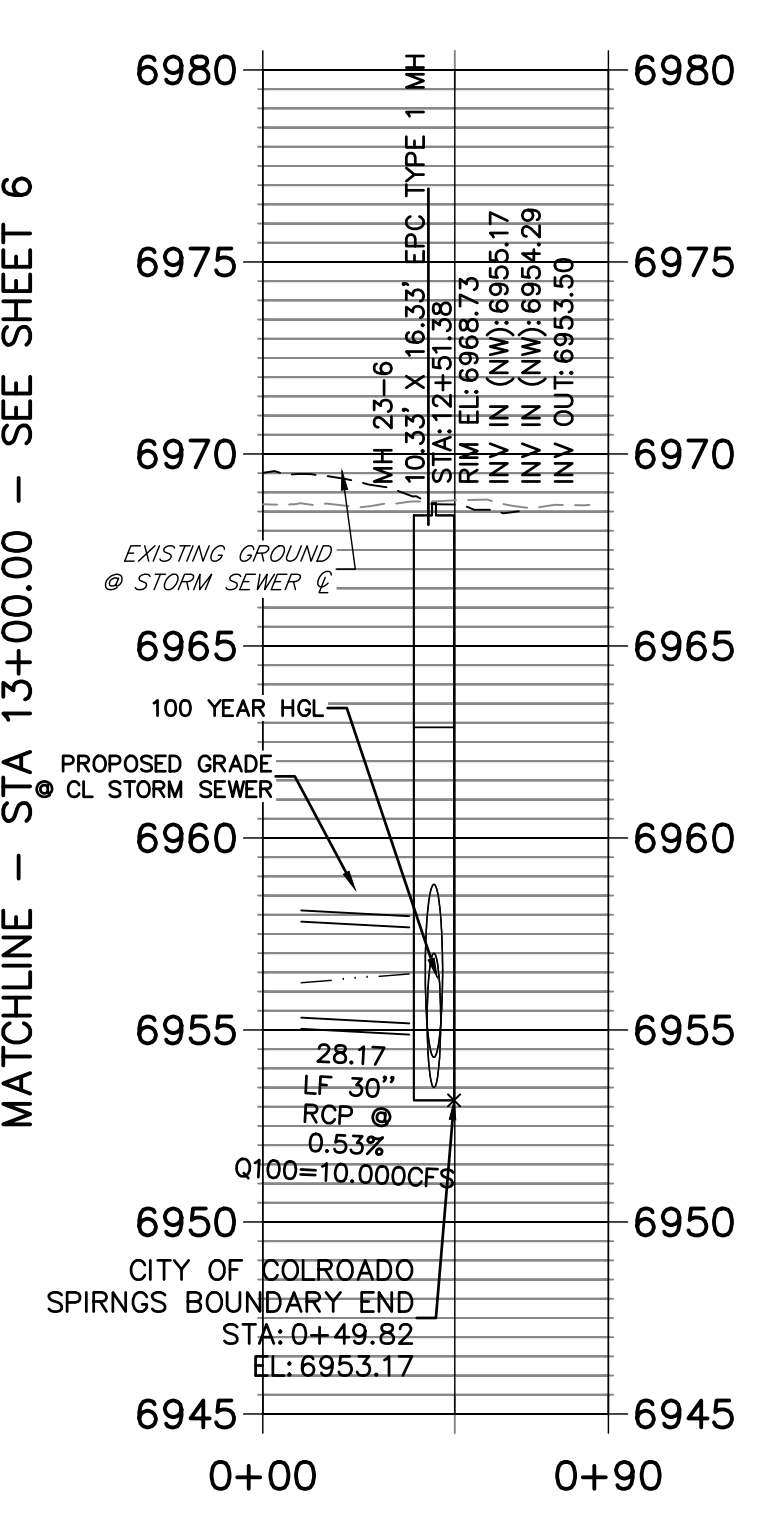
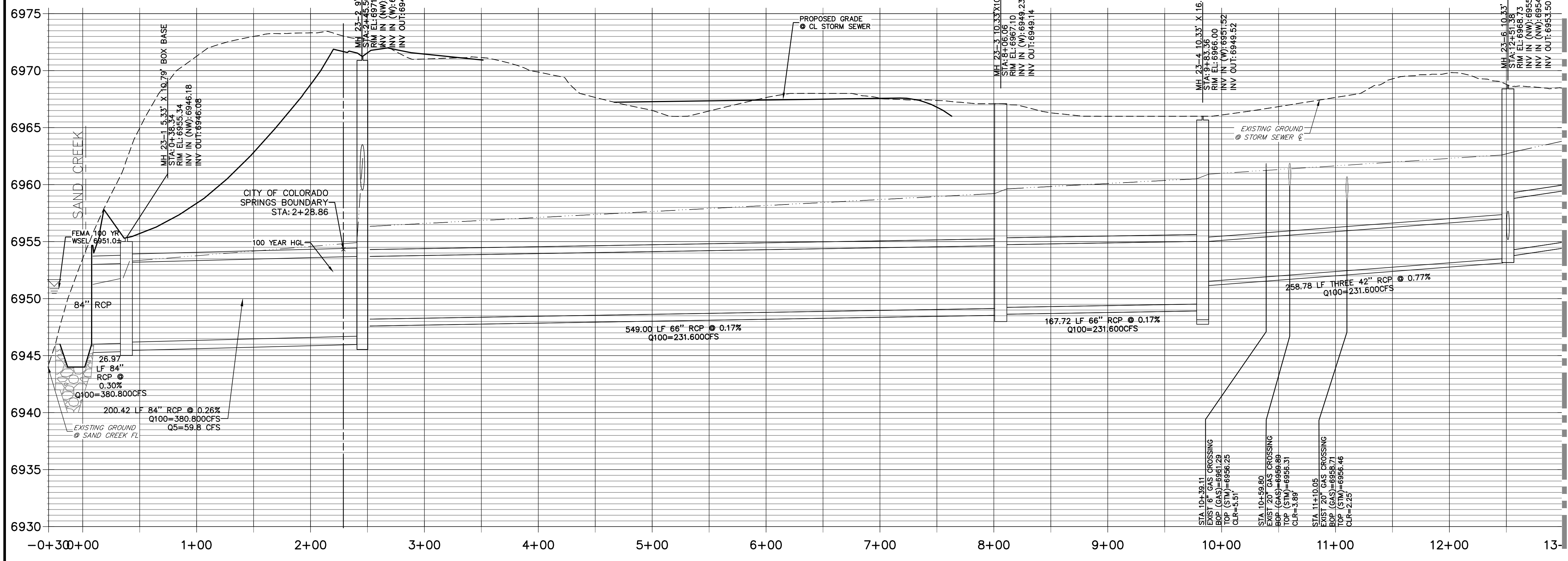
Know what's below  
Call before you dig.

**WARNING**  
**HIGH-PRESSURE PIPELINE(S)**  
EXCAVATION AND/OR CONSTRUCTION PROHIBITED  
WITHOUT COMPLIANCE WITH STATE ONE-CALL, AND  
WITHOUT WRITTEN PERMISSION FROM  
MAGELLAN PIPELINE COMPANY, L.P.



**STRM\_23 PROFILE**  
**STA -0+30.00 TO 13+00.00**  
**PRIVATE (SRMD)**

**STRM 25**  
**STA 0+00.00 TO 0+90.00**  
**PRIVATE (SRMD)**



**ENGINEER'S STATEMENT**  
PREPARED UNDER MY DIRECT SUPERVISION  
*Mike Bramlett*  
MIKE A. BRAMLETT, P.E.  
COLORADO P.E. 32314  
FOR AND ON BEHALF OF JR ENGINEERING, A WESTERN COMPANY  
DATE: 8/18/2021

PREPARED FOR  
**SR LAND, LLC**  
20 BOULDER CRESCENT  
SUITE 201  
COLORADO SPRINGS, CO 80903  
JAMES F. MORLEY  
(719) 471-1742

**J-R ENGINEERING**  
A Western Company  
Central 303-740-9383 • Colorado Springs 719-580-2883  
Fort Collins 970-491-8888 • www.jrengineering.com

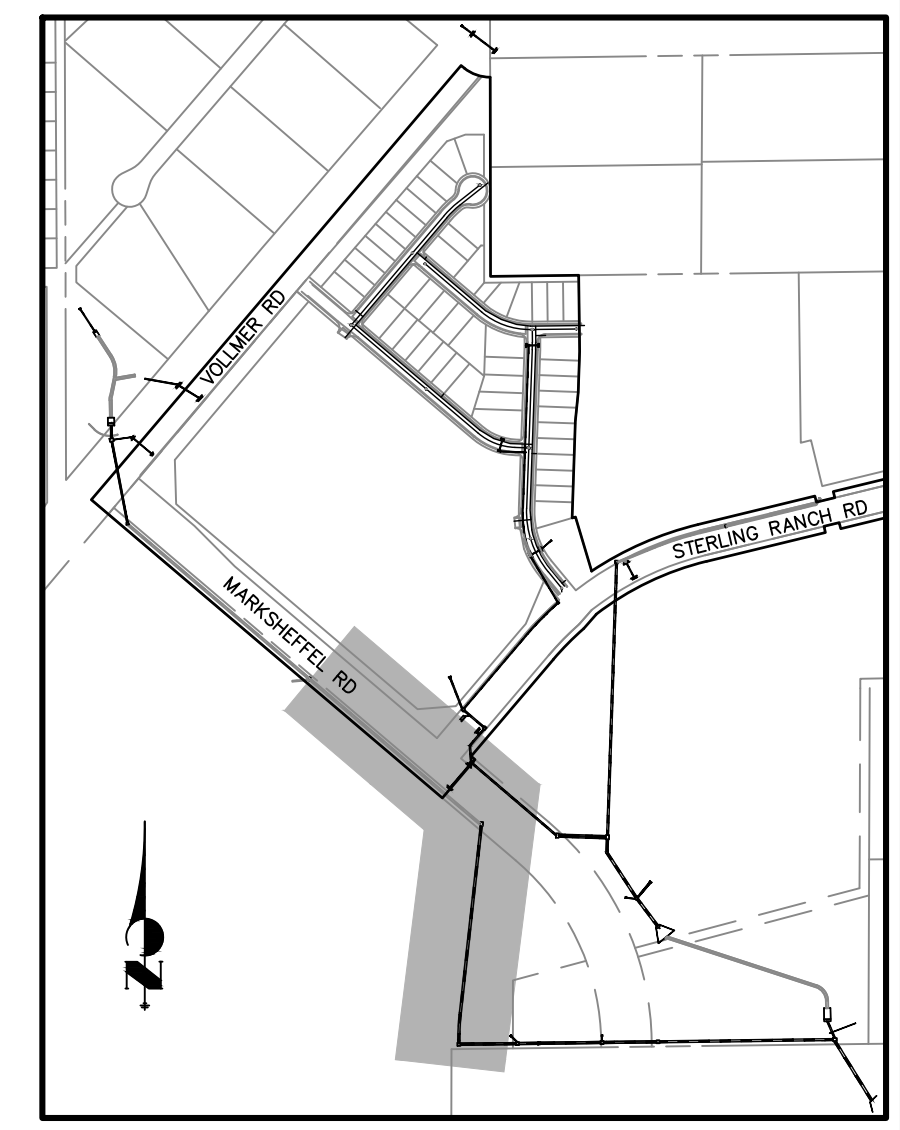
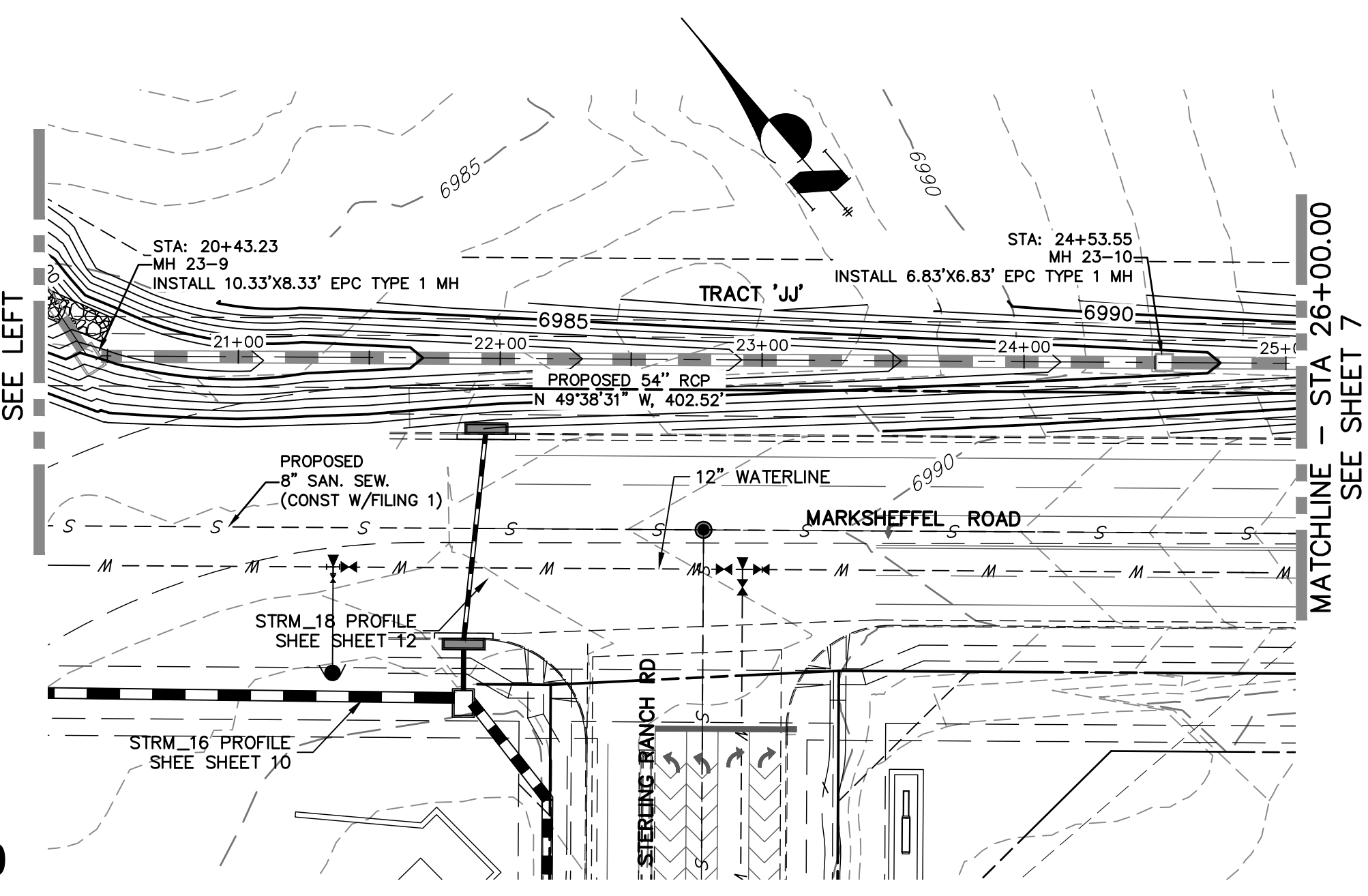
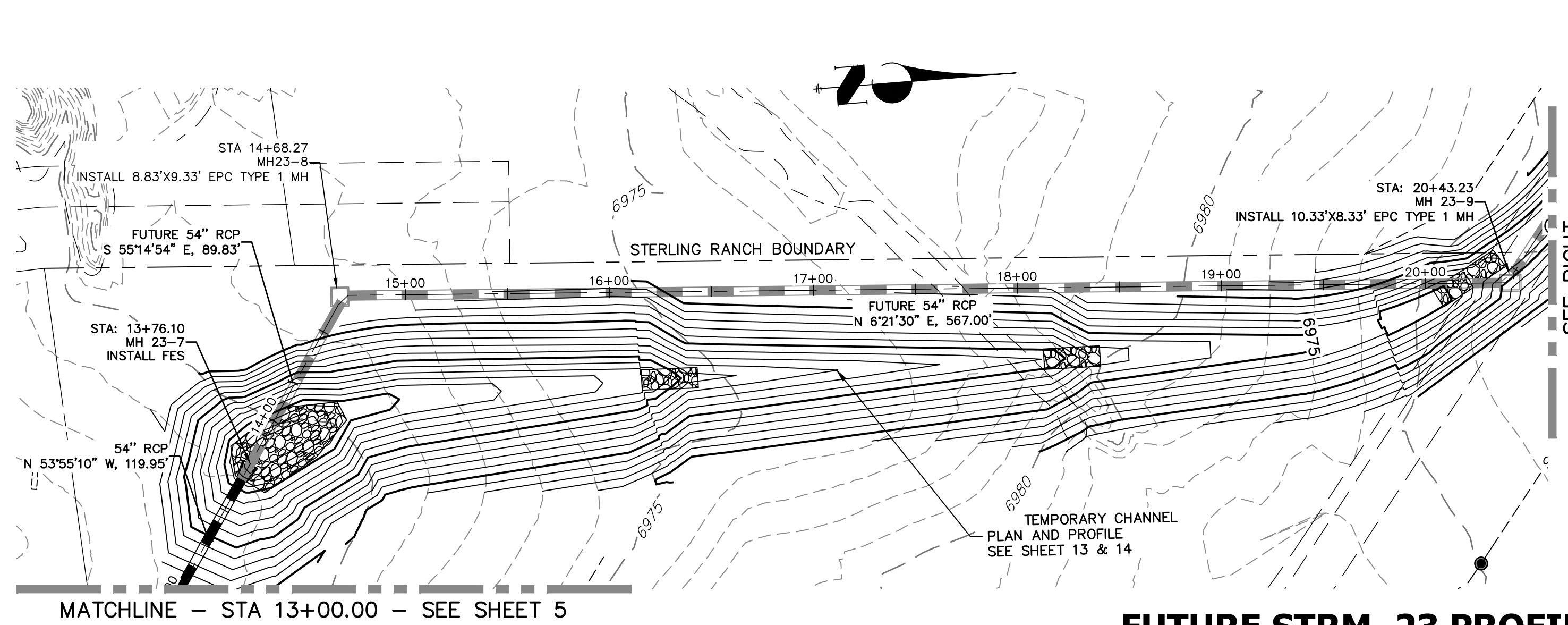
NO.	REVISION	BY	DATE

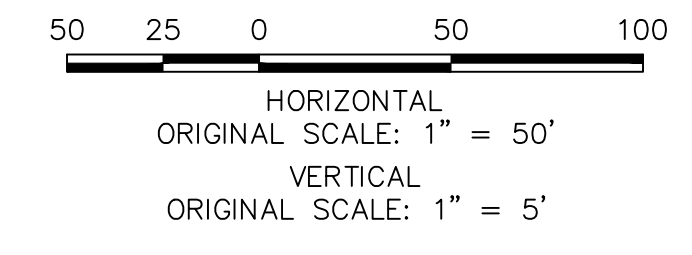
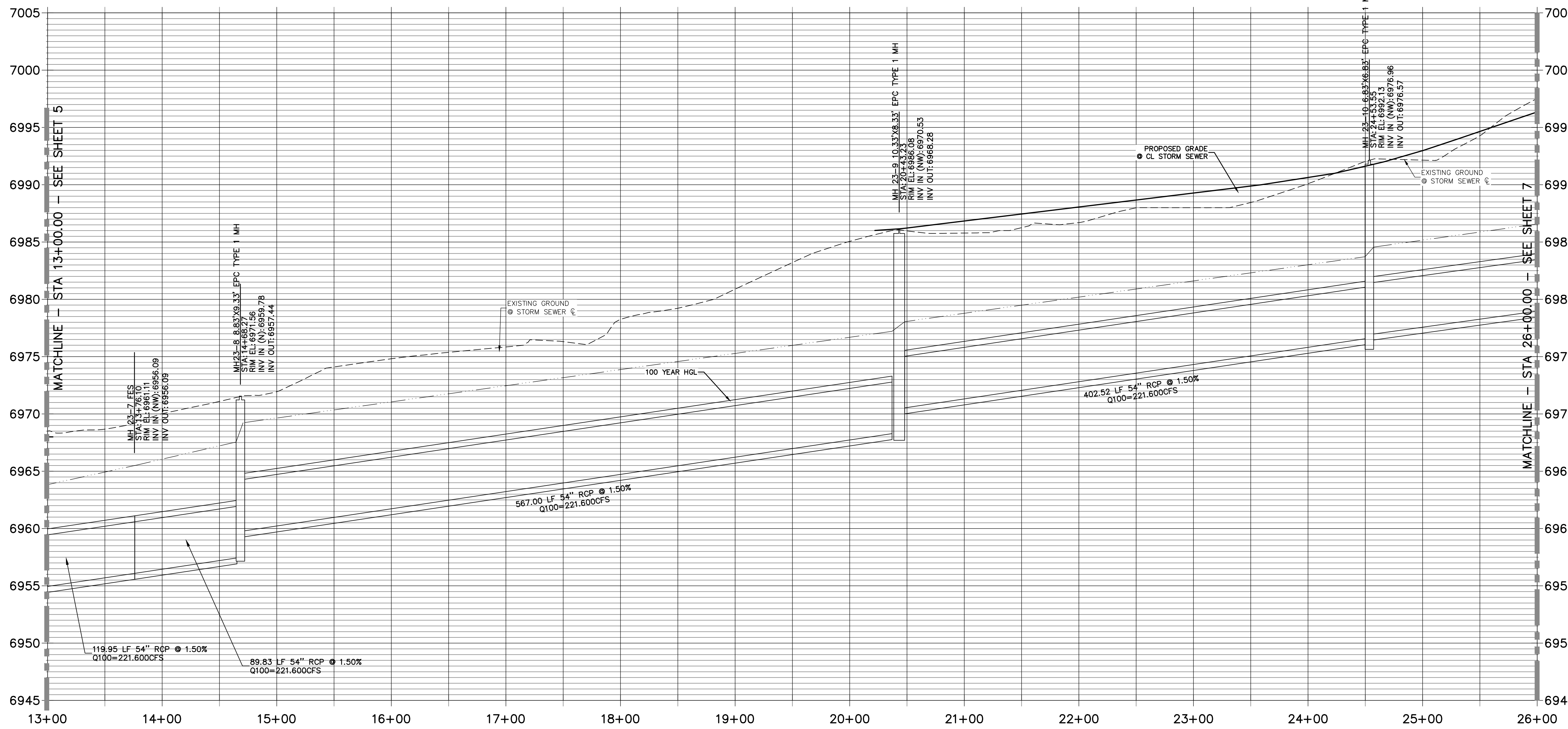
H-SCALE	V-SCALE	DATE	DESIGNED BY	DRAWN BY	CHECKED BY
1"=50'	1"=5'	08/18/21	RAB	KRW	

STERLING RANCH FILING NO.2  
STORM SEWER PLANS  
SHEET 5 OF 26  
JOB NO. 25188.01





**FUTURE STRM\_23 PROFILE  
STA 13+00.00 TO 26+00.00  
PRIVATE (SRMD)**



**NOTE**  
WATER TIGHT JOINTS  
REQUIRED WHERE HGL IS  
OUTSIDE OF THE PIPE.



**ENGINEER'S STATEMENT**  
PREPARED UNDER MY DIRECT SUPERVISION

*Mike Bramlett*  
MIKE A. BRAMLETT, P.E.  
COLORADO P.E. 32314  
FOR AND ON BEHALF OF JR ENGINEERING

DATE: 8/18/2021

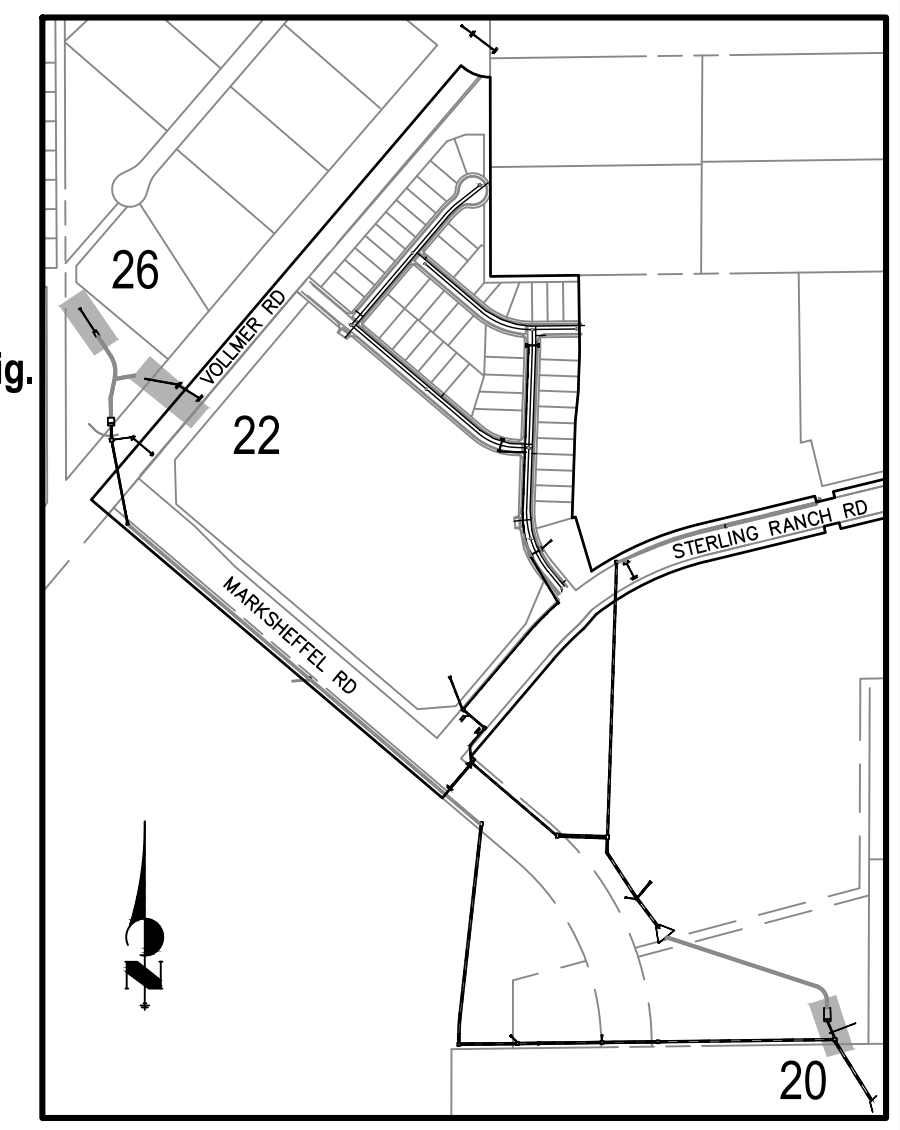
UNTIL SUCH TIME AS THESE DRAWINGS ARE APPROVED BY THE AGENCIES, OR ENGINEERING AGENTS, THIS IS ONLY FOR THE PURPOSES DESIGNATED BY WRITTEN AUTHORIZATION.	
PREPARED FOR	SR LAND, LLC 20 BOULDER CRESCENT SUITE 201 COLORADO SPRINGS, CO 80903 JAMES F. MORLEY (719) 471-1742
DESIGNED BY	RAB
DRAWN BY	KRW
CHECKED BY	
DATE	08/18/21
H-SCALE	1"=50'
V-SCALE	1"=5'
DATE	08/18/21
DESIGNED BY	RAB
DRAWN BY	KRW
CHECKED BY	
STERLING RANCH FILING NO.2	
FUTURE STORM SEWER PLANS	
SHEET	6 OF 26
JOB NO.	25188.01





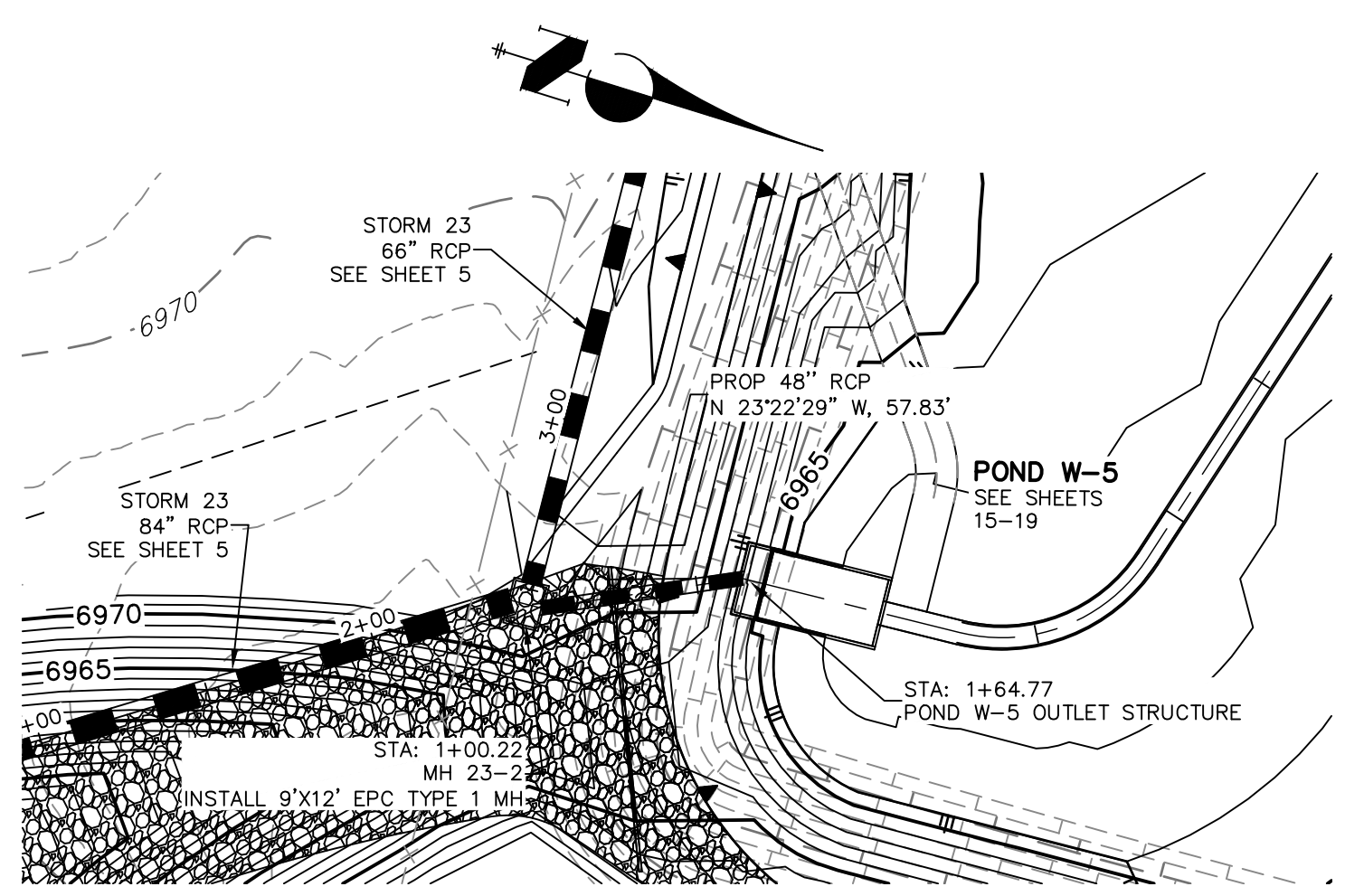


50 25 0 50 100  
 HORIZONTAL  
 ORIGINAL SCALE: 1" = 50'  
 VERTICAL  
 ORIGINAL SCALE: 1" = 5'

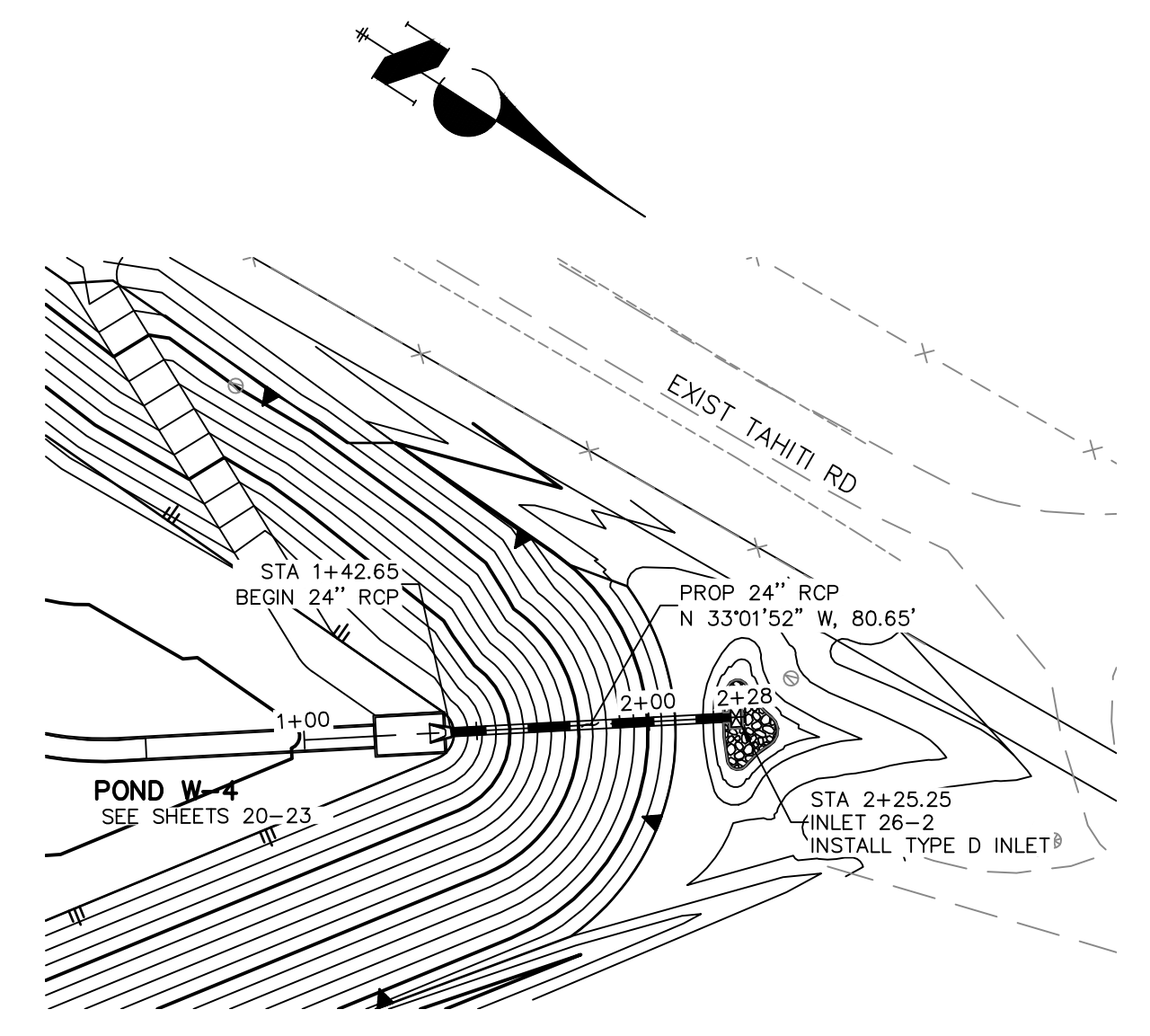
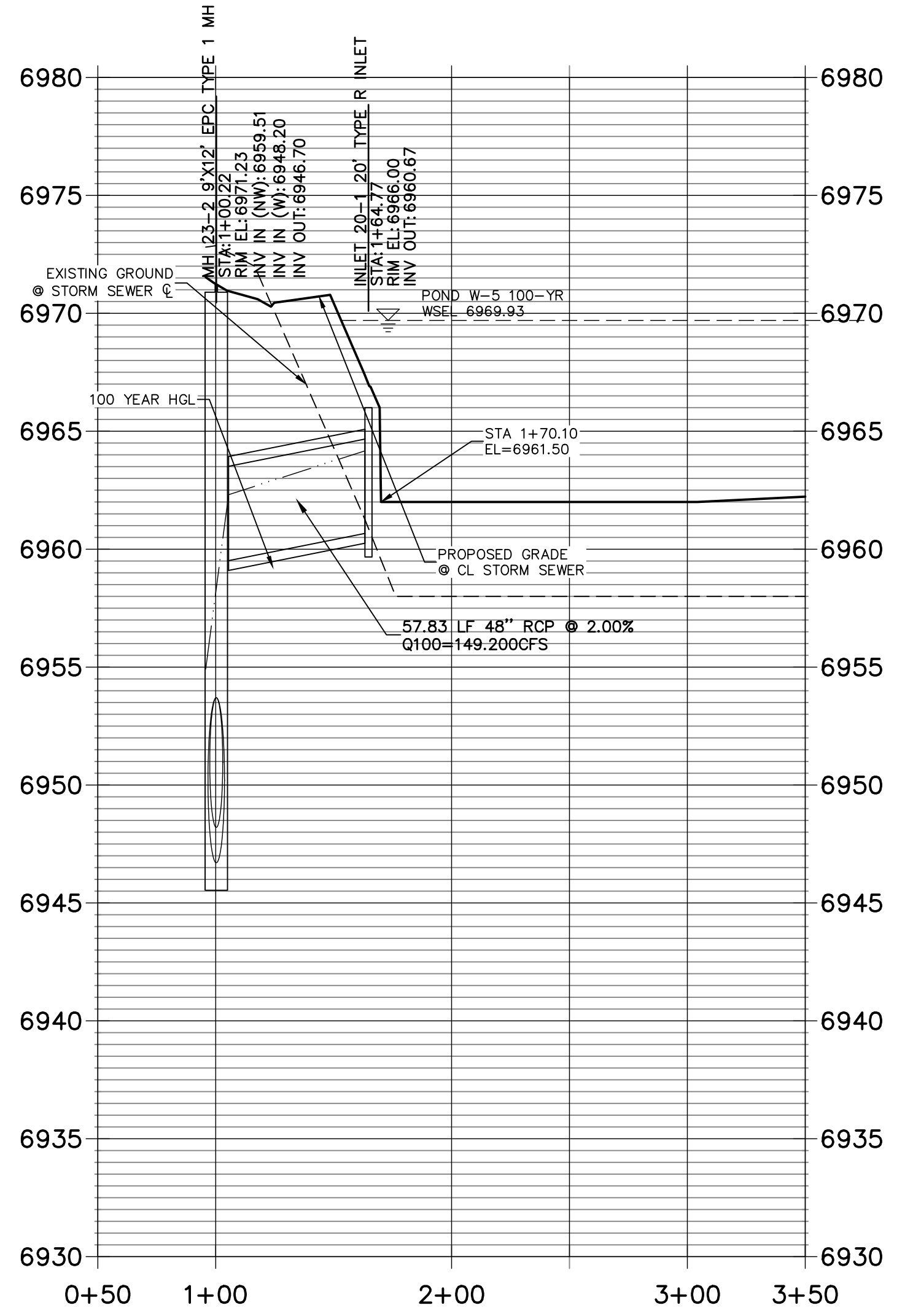


UNTIL SUCH TIME AS THESE DRAWINGS ARE APPROVED BY THE APPROPRIATE REVIEWING AGENCIES, JR ENGINEERING ASSOCIATES IS NOT BEING HELD RESPONSIBLE FOR THE PURPOSES ONLY FOR THE PURPOSES DESIGNATED BY WRITTEN AUTHORIZATION.

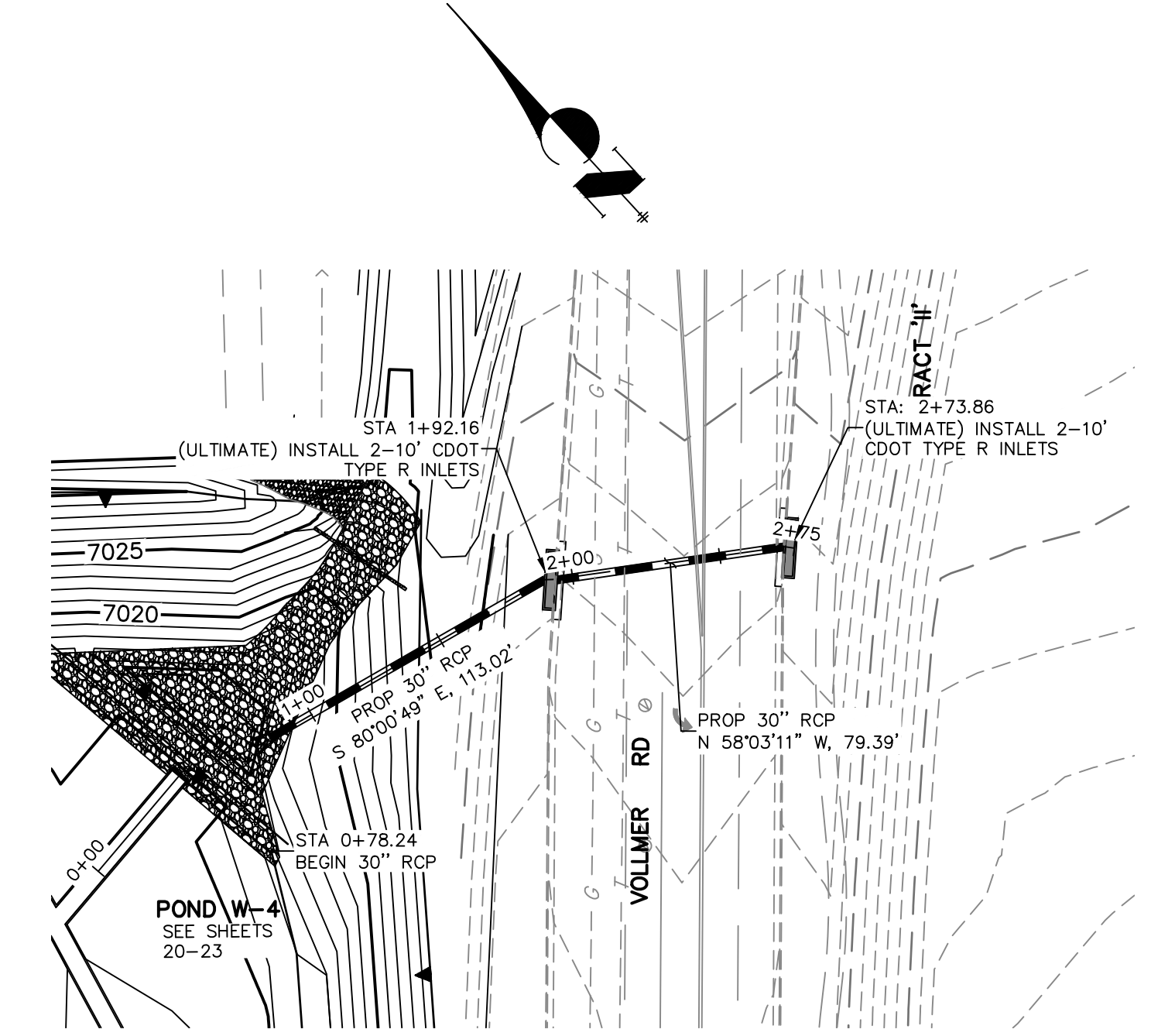
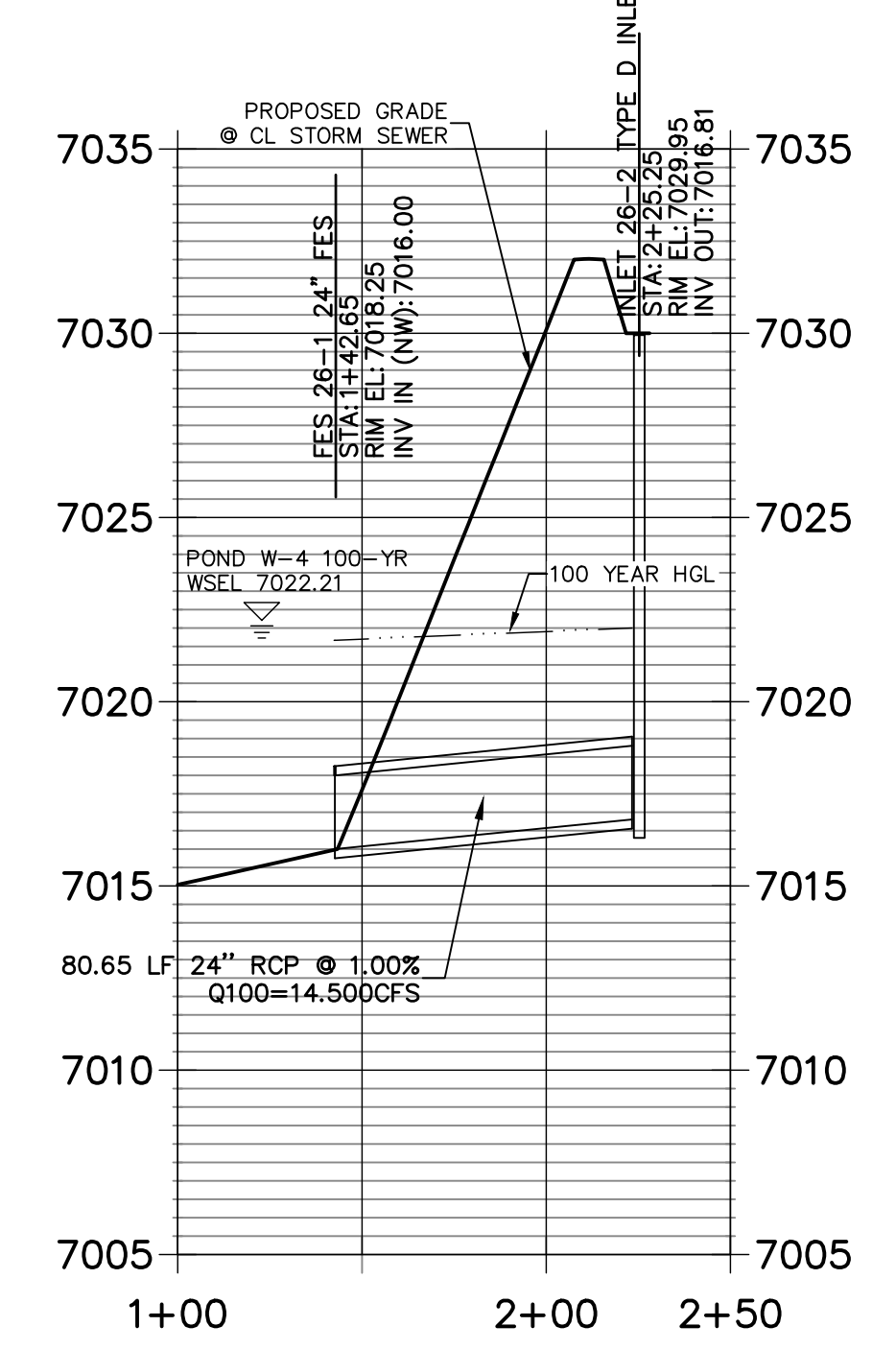
PREPARED FOR  
**SR LAND, LLC**  
 20 BOULDER CRESCENT  
 SUITE 201  
 COLORADO SPRINGS, CO 80903  
 JAMES F. MORLEY  
 (719) 471-1742



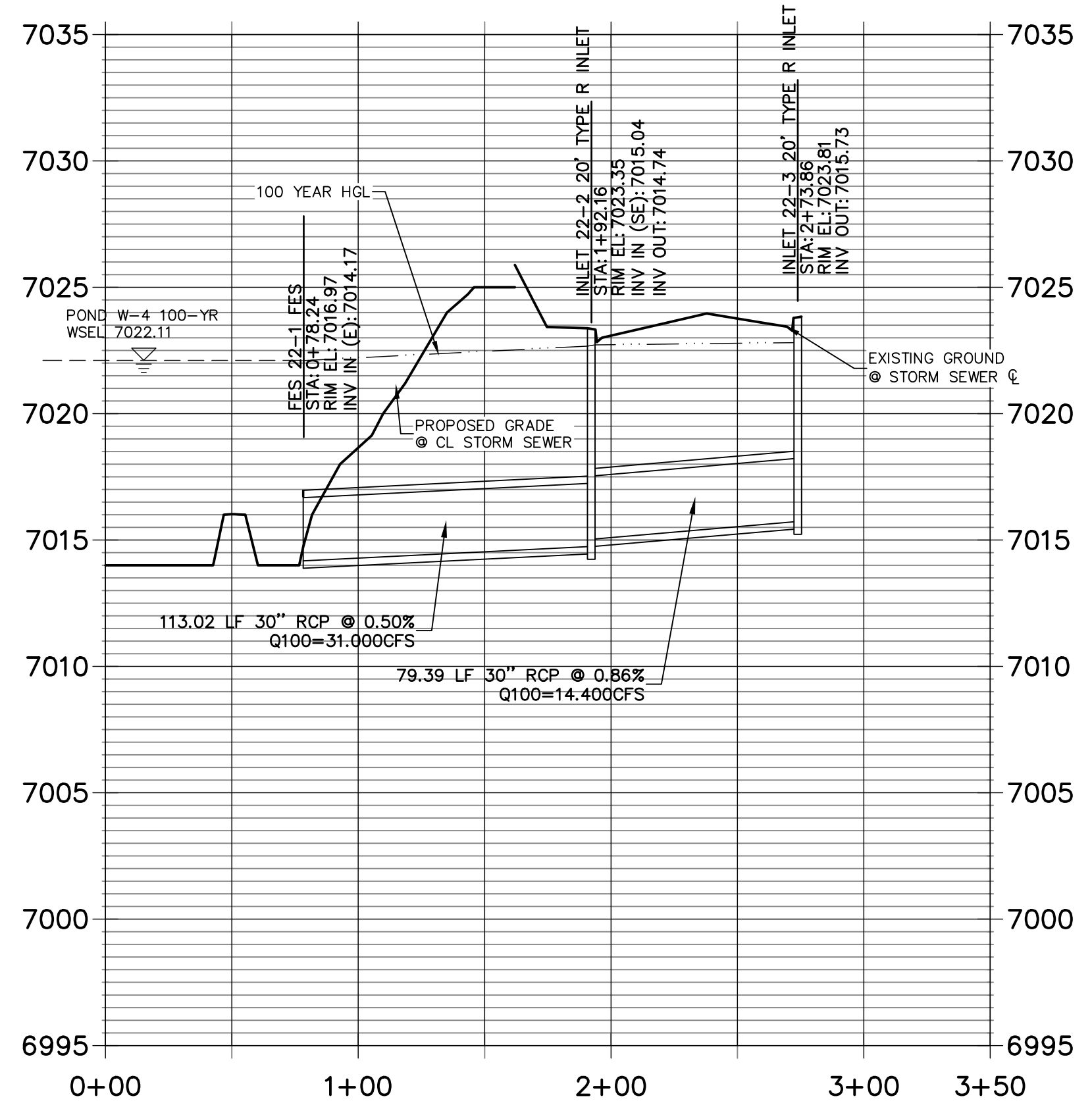
**STRM\_20 PROFILE**  
**STA 0+50.00 TO 3+50.00**  
**PRIVATE (SRMD)**



**STRM\_26 PROFILE**  
**STA 1+00.00 TO 2+50.00**  
**PRIVATE (SRMD)**



**STRM\_22 PROFILE**  
**STA 0+00.00 TO 3+50.00**  
**PUBLIC**



**NOTE**  
 WATER TIGHT JOINTS  
 REQUIRED WHERE HGL IS  
 OUTSIDE OF THE PIPE.  
 EPC 11/17/2021

**ENGINEER'S STATEMENT**  
 PREPARED UNDER MY DIRECT SUPERVISION

*Mike Bramlett*  
 MIKE A. BRAMLETT, P.E.  
 COLORADO P.E. 32314  
 FOR AND ON BEHALF OF JR ENGINEERING ASSOCIATES

32314  
 8/18/2021

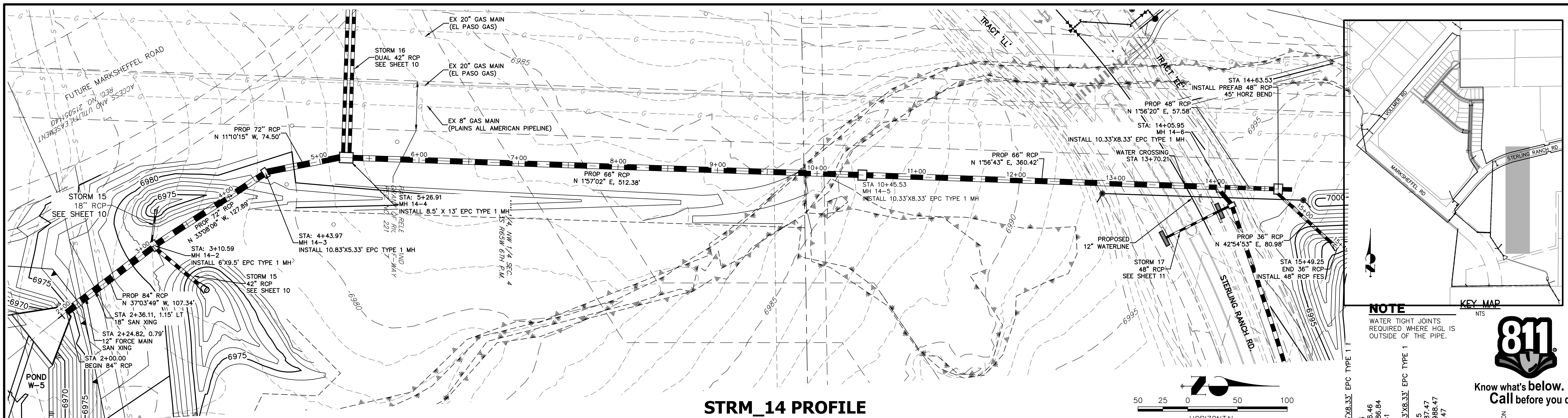
**J-R ENGINEERING**  
 A Western Company  
 Centennial 305-740-9383 • Colorado Springs 719-580-2993  
 Fort Collins 970-491-8888 • www.jrengineering.com

NO.	REVISION	BY	DATE

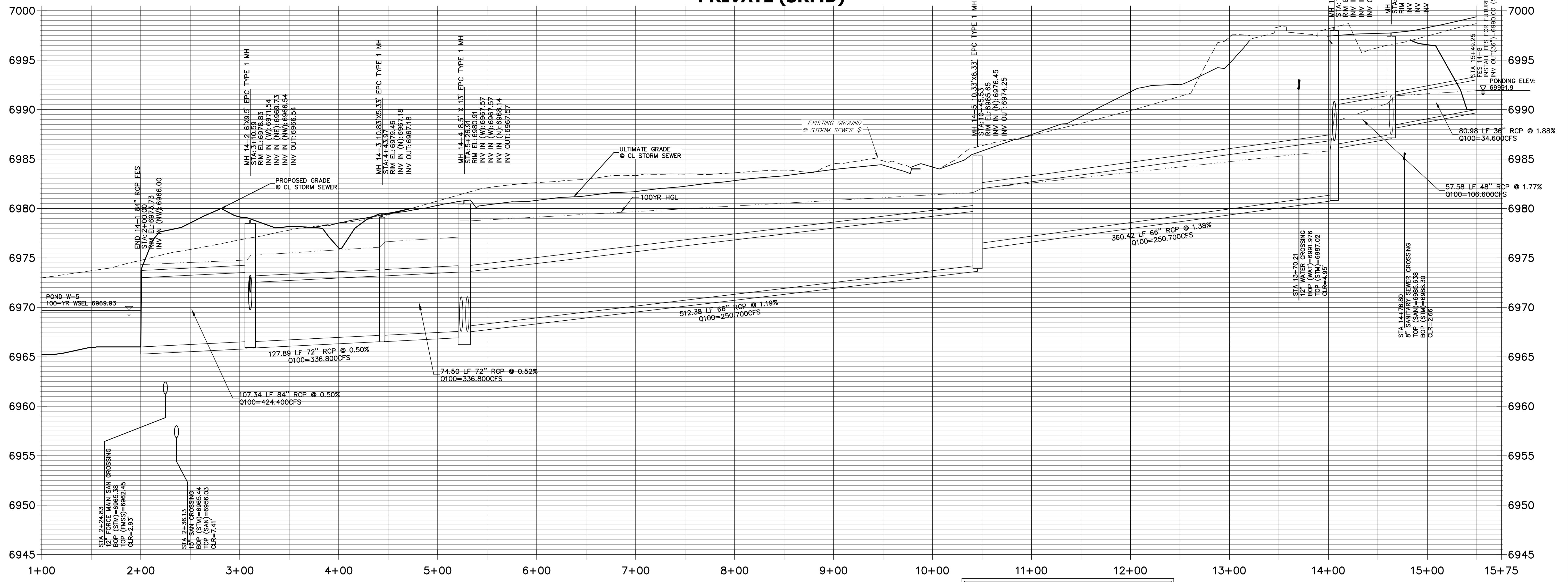
STERLING RANCH FILING NO.2  
 STORM SEWER PLANS

SHEET 8 OF 26  
 JOB NO. 25188.01



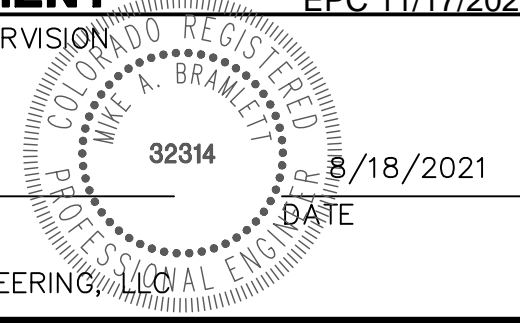


**STRM\_14 PROFILE  
STA 1+00.00 TO 15+75.00  
PRIVATE (SRMD)**



**WARNING  
HIGH-PRESSURE PIPELINE(S)**  
EXCAVATION AND/OR CONSTRUCTION PROHIBITED  
WITHOUT COMPLIANCE WITH STATE ONE-CALL, AND  
WITHOUT WRITTEN PERMISSION FROM  
MAGELLAN PIPELINE COMPANY, L.P.

**ENGINEER'S STATEMENT**  
PREPARED UNDER MY DIRECT SUPERVISION  
*Mike Bramlett*  
MIKE A. BRAMLETT, P.E.  
COLORADO P.E. 32314  
FOR AND ON BEHALF OF JR ENGINEERING



UNTIL SUCH TIME AS THESE DRAWINGS ARE APPROVED BY THE AGENCIES, OR ENGINEERING ONLY FOR THE PURPOSES DESIGNATED BY WRITTEN AUTHORIZATION.

PREPARED FOR  
**SR LAND, LLC**  
20 BOULDER CRESCENT  
SUITE 201  
COLORADO SPRINGS, CO 80903  
JAMES F. MORLEY  
(719) 471-1742

**J-R ENGINEERING**  
A Wetland Company  
Central 303-740-9383 • Colorado Springs 719-580-2893  
Fort Collins 970-491-8888 • www.jrengineering.com

No.	REVISION	BY	DATE

H-SCALE 1"=50'	V-SCALE 1"=5'	DATE 08/18/21	DESIGNED BY RAB	DRAWN BY KRW	CHECKED BY
-------------------	------------------	------------------	--------------------	-----------------	------------

STERLING RANCH FILING NO.2  
STORM SEWER PLANS  
SHEET 9 OF 26  
JOB NO. 25188.01













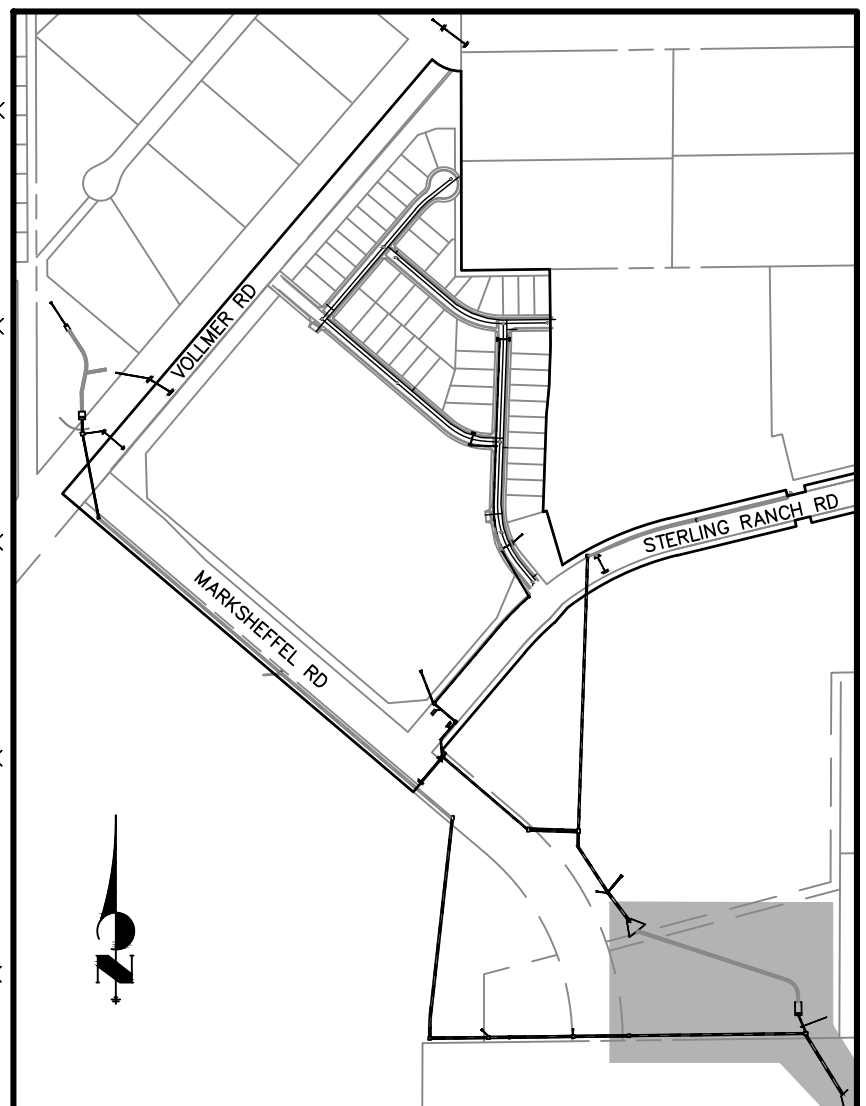
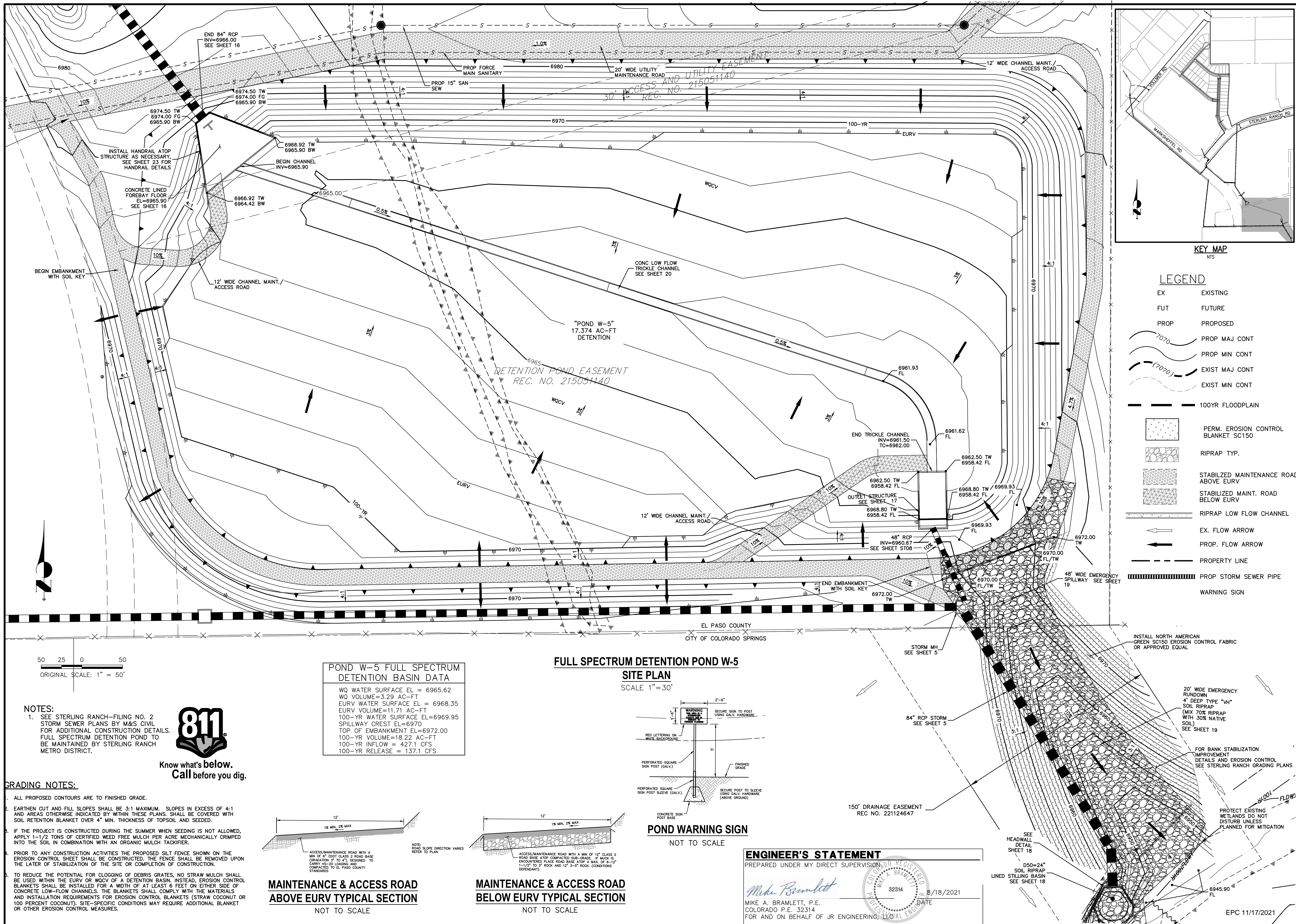












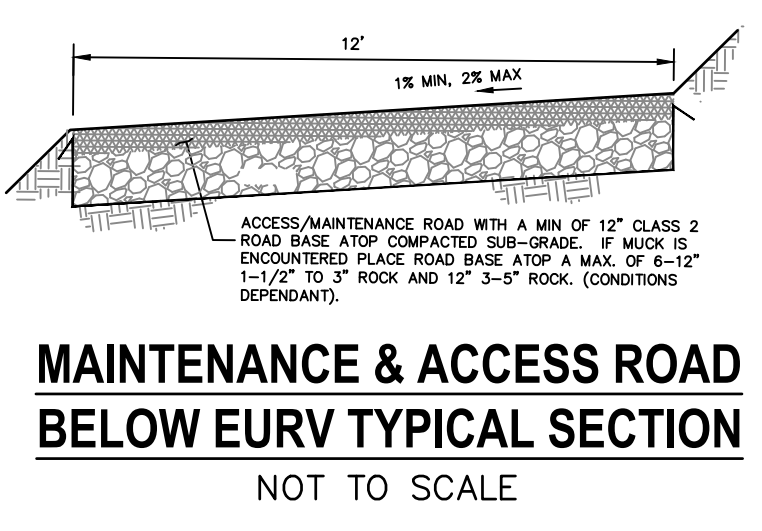
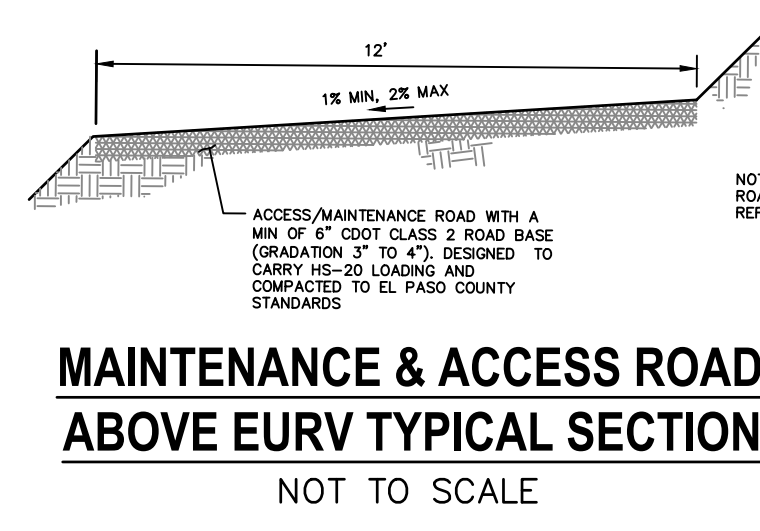
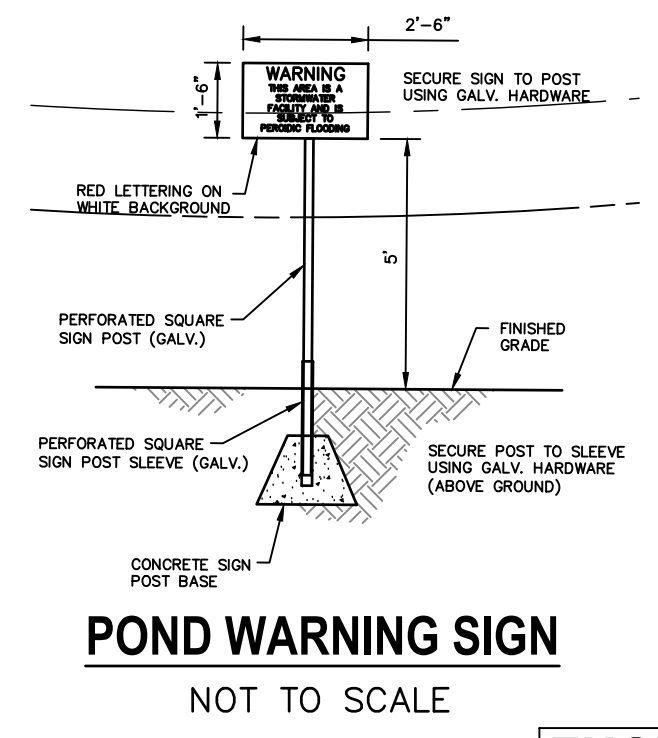
**LEGEND**

EX	EXISTING
FUT	FUTURE
PROP	PROPOSED
	PROP MAJ CONT
	PROP MIN CONT
	EXIST MAJ CONT
	EXIST MIN CONT
	100YR FLOODPLAIN
	PERM. EROSION CONTROL BLANKET SC150
	RIPRAP TYP.
	STABILIZED MAINTENANCE ROAD ABOVE EURV
	STABILIZED MAINT. ROAD BELOW EURV
	RIPRAP LOW FLOW CHANNEL
	EX. FLOW ARROW
	PROP. FLOW ARROW
	PROPERTY LINE
	PROP STORM SEWER PIPE
	WARNING SIGN

**POND W-5 FULL SPECTRUM DETENTION BASIN DATA**

WQ WATER SURFACE EL =	6965.62
WQ VOLUME =	3.29 AC-FT
EURV WATER SURFACE EL =	6968.35
EURV VOLUME =	11.71 AC-FT
100-YR WATER SURFACE EL =	6969.95
SPILLWAY CREST EL =	6970
TOP OF EMBANKMENT EL =	6972.00
100-YR VOLUME =	18.22 AC-FT
100-YR INFLOW =	427.1 CFS
100-YR RELEASE =	137.1 CFS

**FULL SPECTRUM DETENTION POND W-5 SITE PLAN**  
SCALE 1"=30'



**NOTES:**  
1. SEE STERLING RANCH-FILING NO. 2 STORM SEWER PLANS BY M&S CIVIL FOR ADDITIONAL CONSTRUCTION DETAILS. FULL SPECTRUM DETENTION POND TO BE MAINTAINED BY STERLING RANCH METRO DISTRICT.



**GRADING NOTES:**

- ALL PROPOSED CONTOURS ARE TO FINISHED GRADE.
- EARTHEN CUT AND FILL SLOPES SHALL BE 3:1 MAXIMUM. SLOPES IN EXCESS OF 4:1 AND AREAS OTHERWISE INDICATED BY WITHIN THESE PLANS, SHALL BE COVERED WITH SOIL RETENTION BLANKET OVER 4" MIN. THICKNESS OF TOPSOIL AND SEEDED.
- IF THE PROJECT IS CONSTRUCTED DURING THE SUMMER WHEN SEEDING IS NOT ALLOWED, APPLY 1-1/2 TONS OF CERTIFIED WEED FREE MULCH PER ACRE MECHANICALLY CRIMPED INTO THE SOIL IN COMBINATION WITH AN ORGANIC MULCH TACKIFIER.
- PRIOR TO ANY CONSTRUCTION ACTIVITIES THE PROPOSED SILT FENCE SHOWN ON THE EROSION CONTROL SHEET SHALL BE CONSTRUCTED. THE FENCE SHALL BE REMOVED UPON THE LATER OF STABILIZATION OF THE SITE OR COMPLETION OF CONSTRUCTION.
- TO REDUCE THE POTENTIAL FOR CLOGGING OF DEBRIS GRATES, NO STRAW MULCH SHALL BE USED WITHIN THE EURV OR WQCV OF A DETENTION BASIN. INSTEAD, EROSION CONTROL BLANKETS SHALL BE INSTALLED FOR A WIDTH OF AT LEAST 6 FEET ON EITHER SIDE OF CONCRETE LOW-FLOW CHANNELS. THE BLANKETS SHALL COMPLY WITH THE MATERIALS AND INSTALLATION REQUIREMENTS FOR EROSION CONTROL BLANKETS (STRAW COCONUT OR 100 PERCENT COCONUT). SITE-SPECIFIC CONDITIONS MAY REQUIRE ADDITIONAL BLANKET OR OTHER EROSION CONTROL MEASURES.

**ENGINEER'S STATEMENT**  
PREPARED UNDER MY DIRECT SUPERVISION  
*Mike Bramlett*  
MIKE A. BRAMLETT, P.E.  
COLORADO P.E. 32314  
FOR AND ON BEHALF OF JR ENGINEERING

32314  
8/18/2021  
DATE

UNTIL SUCH TIME AS THESE DRAWINGS ARE APPROVED BY THE AGENCIES, OR ENGINEERING APPROVES THEIR USE, THESE DRAWINGS ARE DESIGNATED BY WRITTEN AUTHORIZATION.

PREPARED FOR  
**SR LAND, LLC**  
20 BOULDER CRESCENT  
SUITE 201  
COLORADO SPRINGS, CO 80903  
JAMES F. MORLEY  
(719) 471-1742

**J.R. ENGINEERING**  
A Westman Company  
Central 303-740-9383 • Colorado Springs 719-583-2593  
Fort Collins 970-491-9888 • www.jrengineering.com

BY	DATE	NO.	REVISION

H-SCALE 1"=50'  
V-SCALE 1"=5'  
DATE 08/18/21  
DESIGNED BY RAB  
DRAWN BY KRW  
CHECKED BY

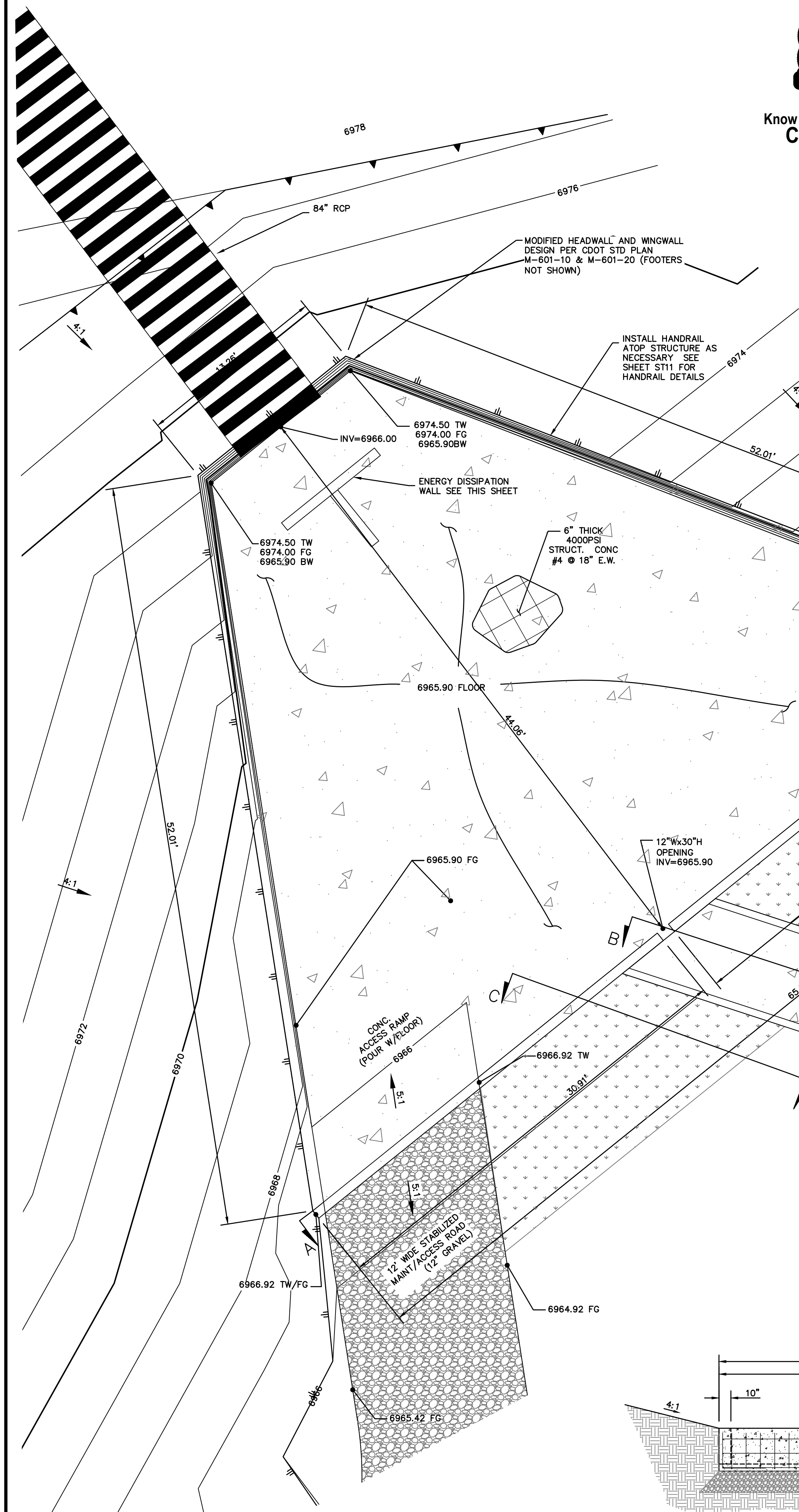
**STERLING RANCH FILING NO.2**  
**POND W5**

SHEET 15 OF 26  
JOB NO. 25188.01  
EPC 11/17/2021

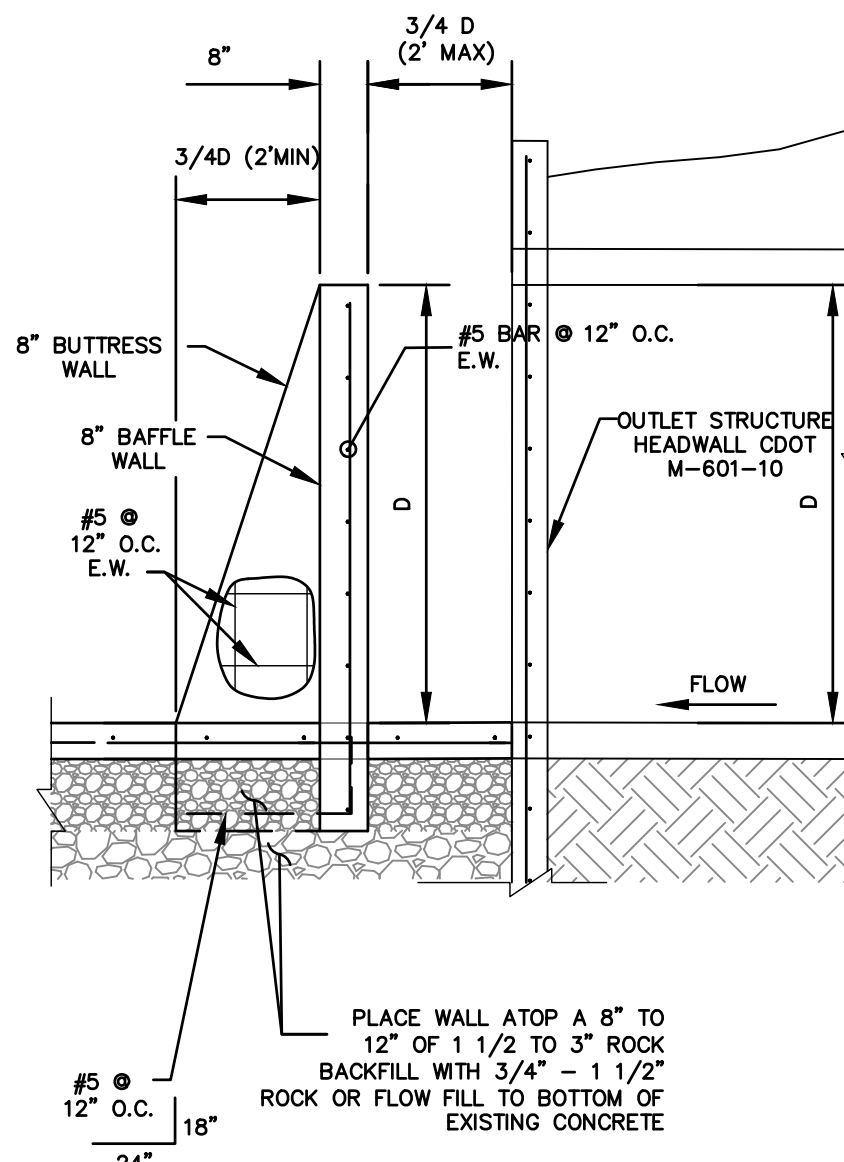




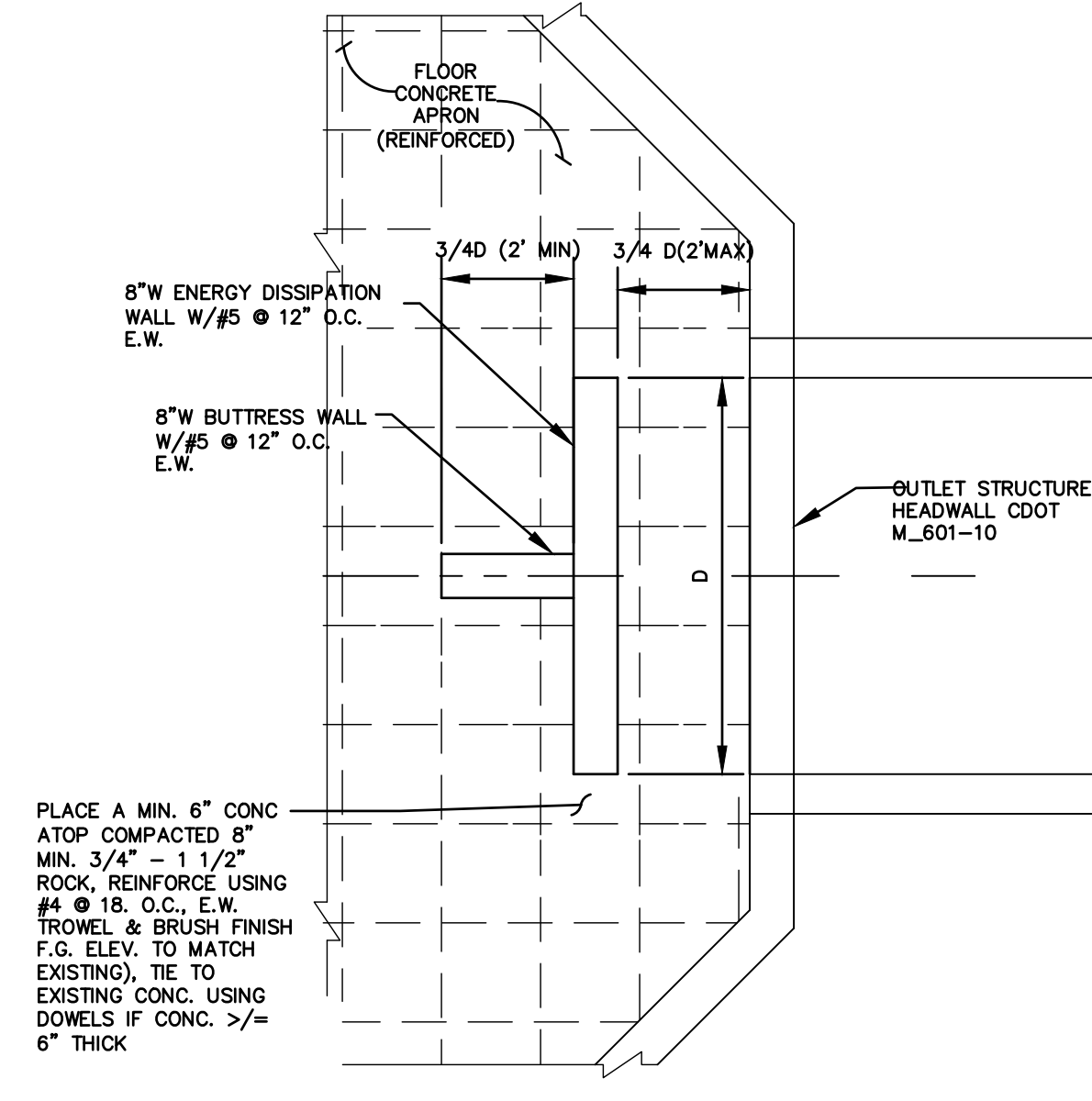
Know what's below.  
Call before you dig.



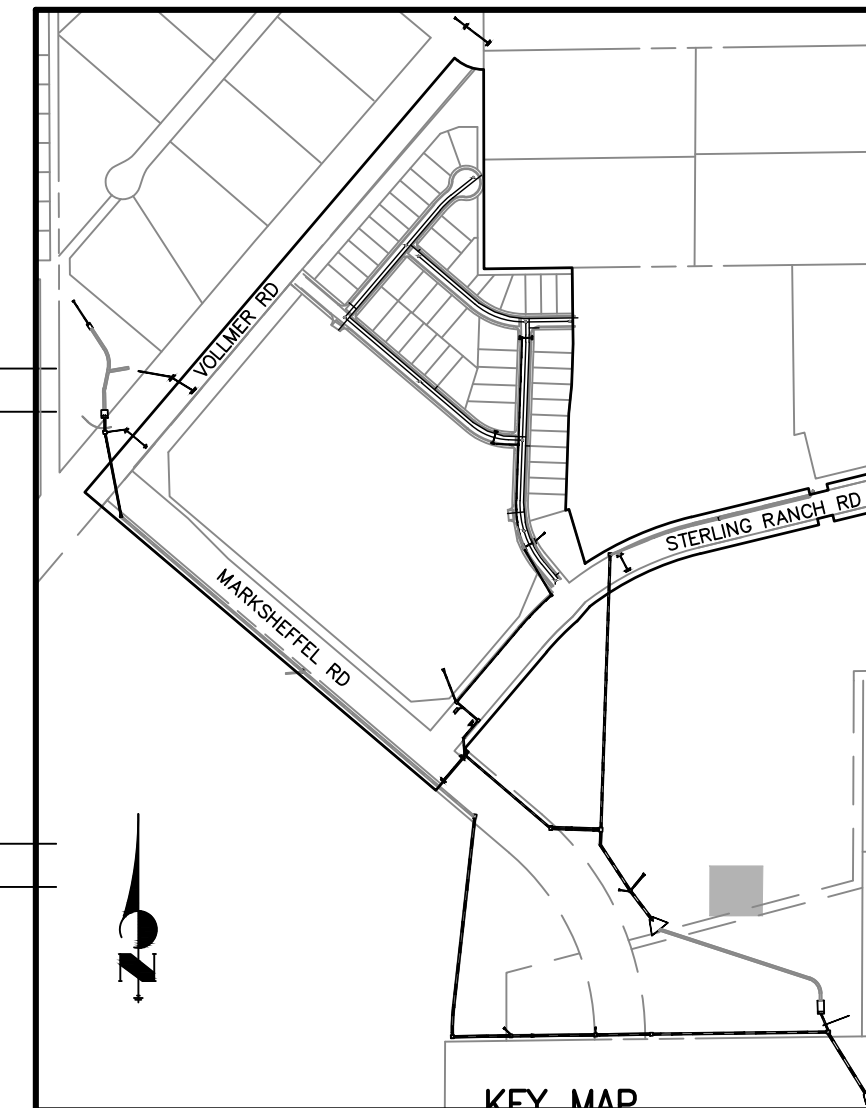
**FULL SPECTRUM DETENTION  
POND W-5 FOREBAY PLAN**  
NOT TO SCALE



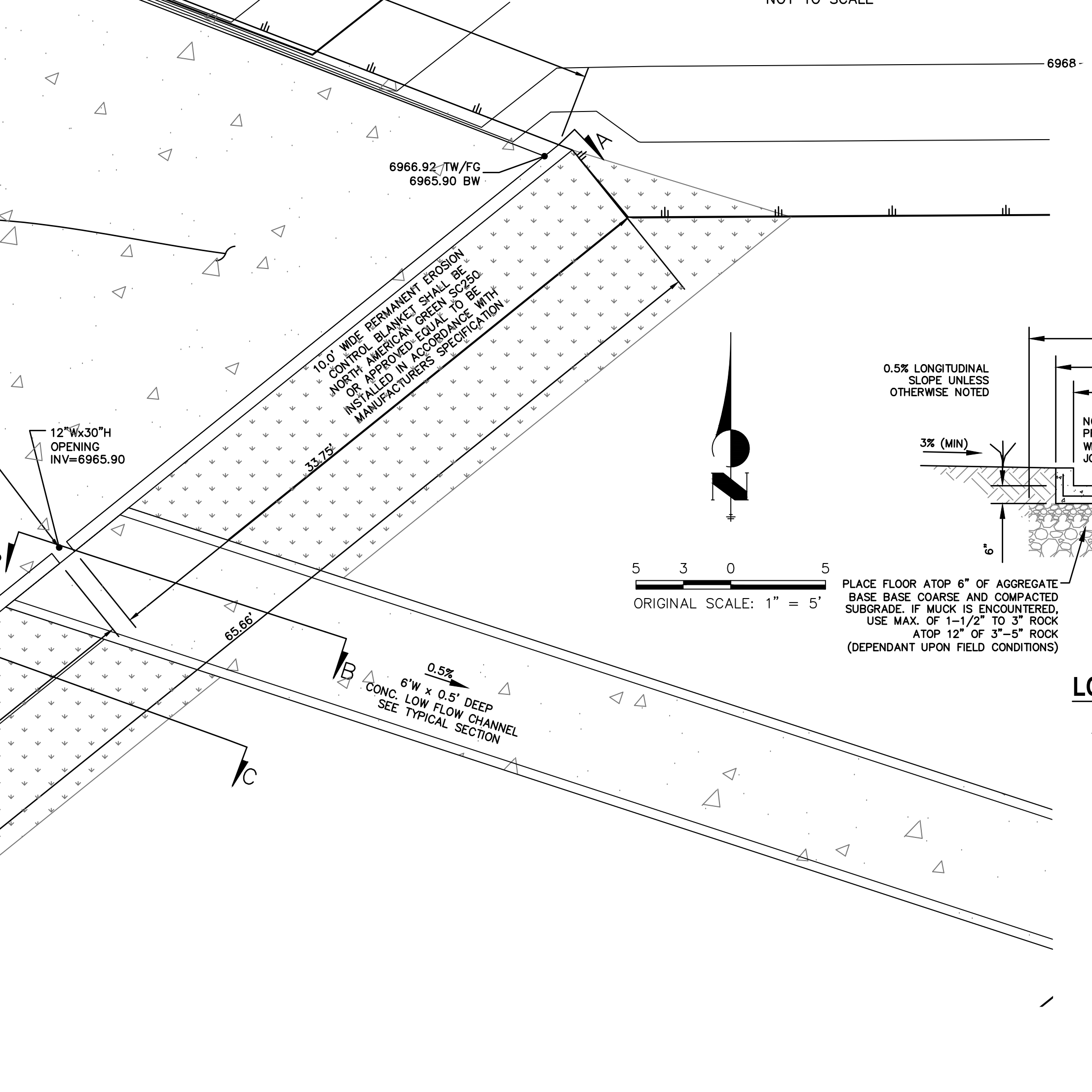
**POND W-5 - ENERGY DISSIPATION WALL TYPICAL SECTION**  
NOT TO SCALE



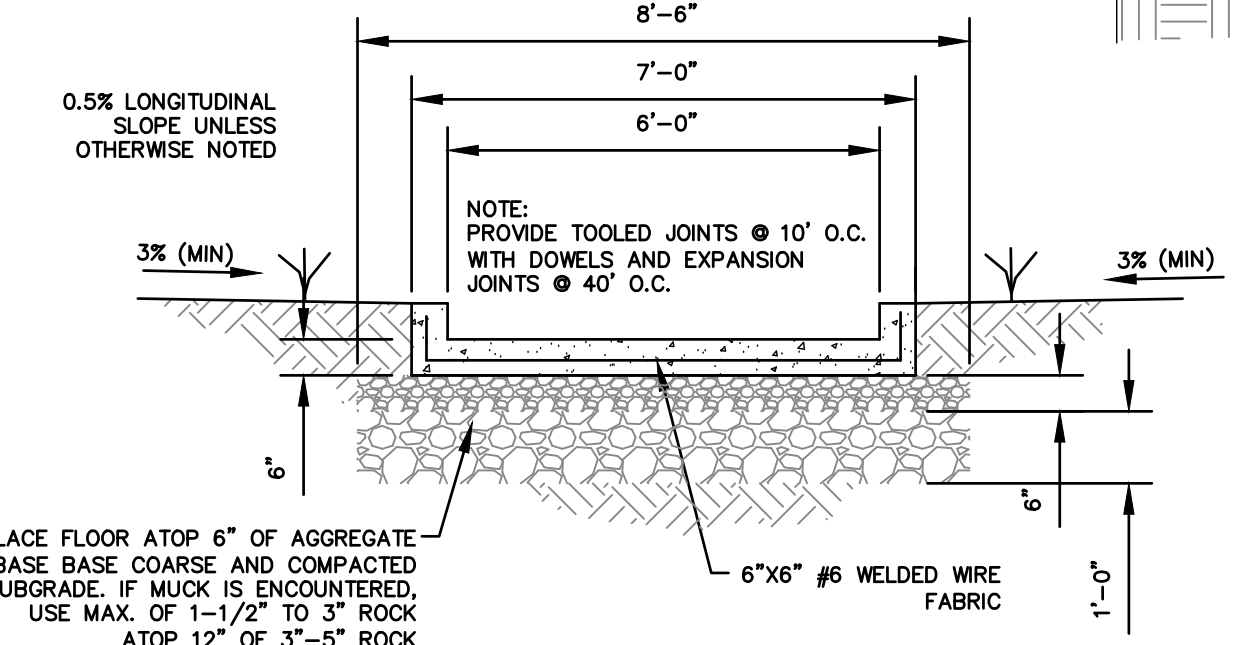
**POND W-5 - ENERGY DISSIPATION WALL TYPICAL PLAN**  
NOT TO SCALE



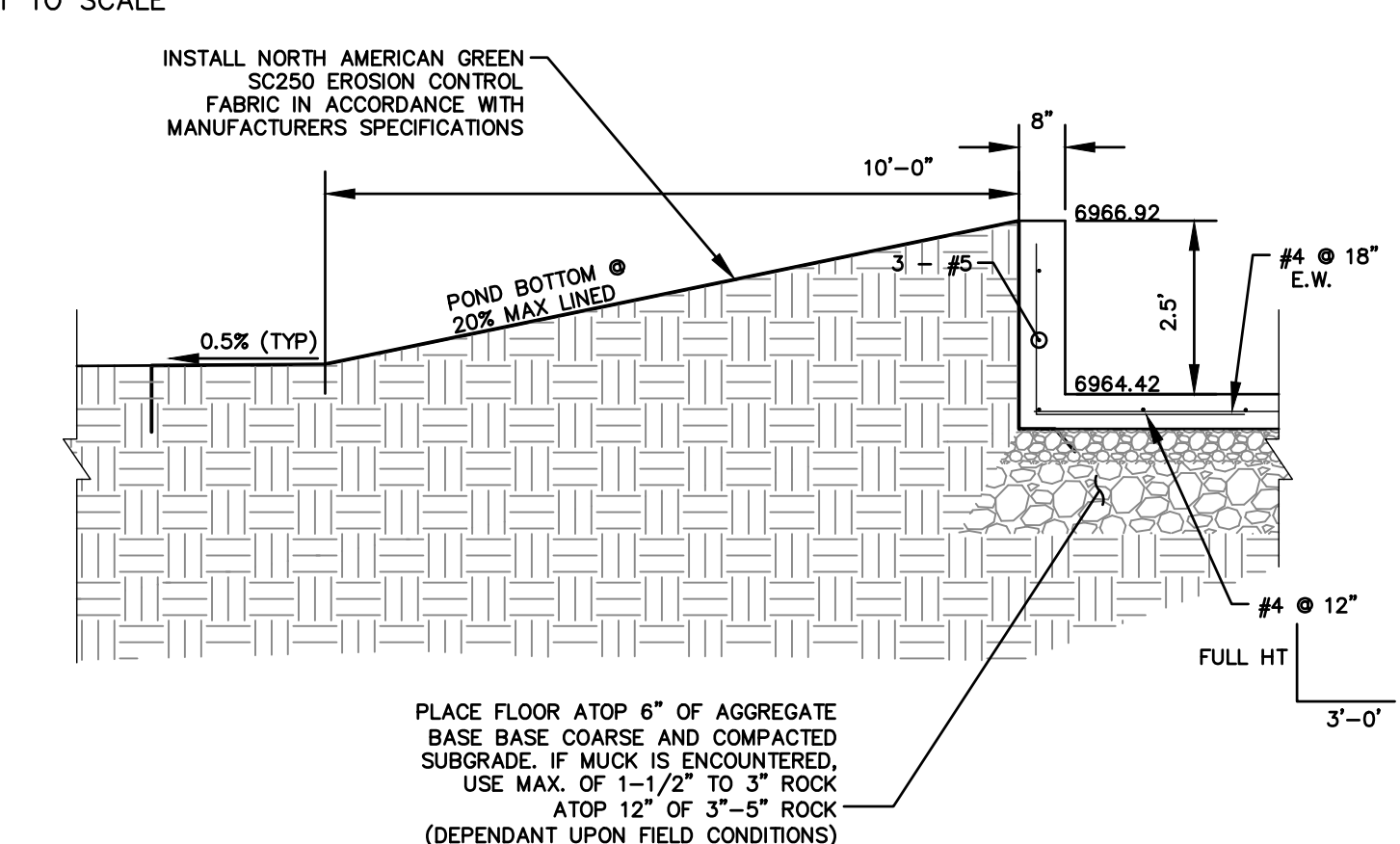
KEY MAP



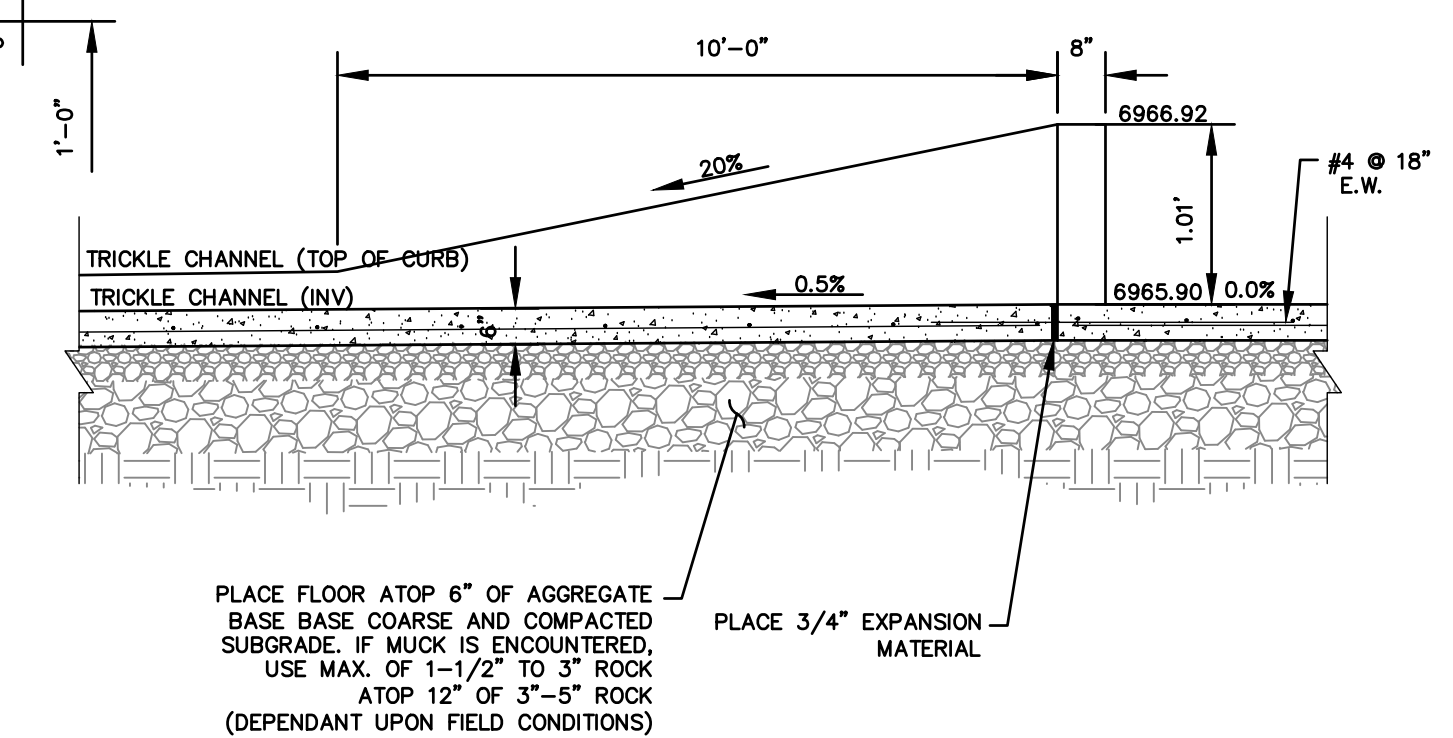
**FOREBAY FRONT WALL W/NOTCH  
SECTION A-A**  
NOT TO SCALE



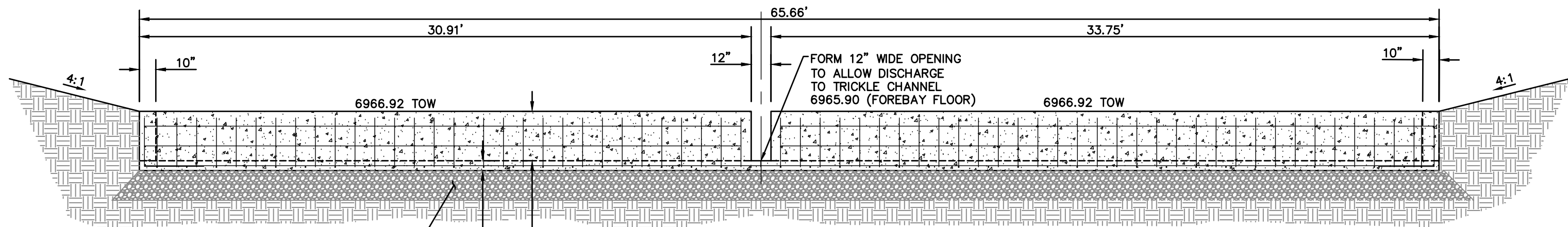
**LOW FLOW CHANNEL  
TYPICAL SECTION**  
NOT TO SCALE



**SLOPE GRADING BELOW FOREBAY  
SECTION C-C**  
NOT TO SCALE



**LOW FLOW CHANNEL AT FOREBAY  
SECTION B-B**  
NOT TO SCALE

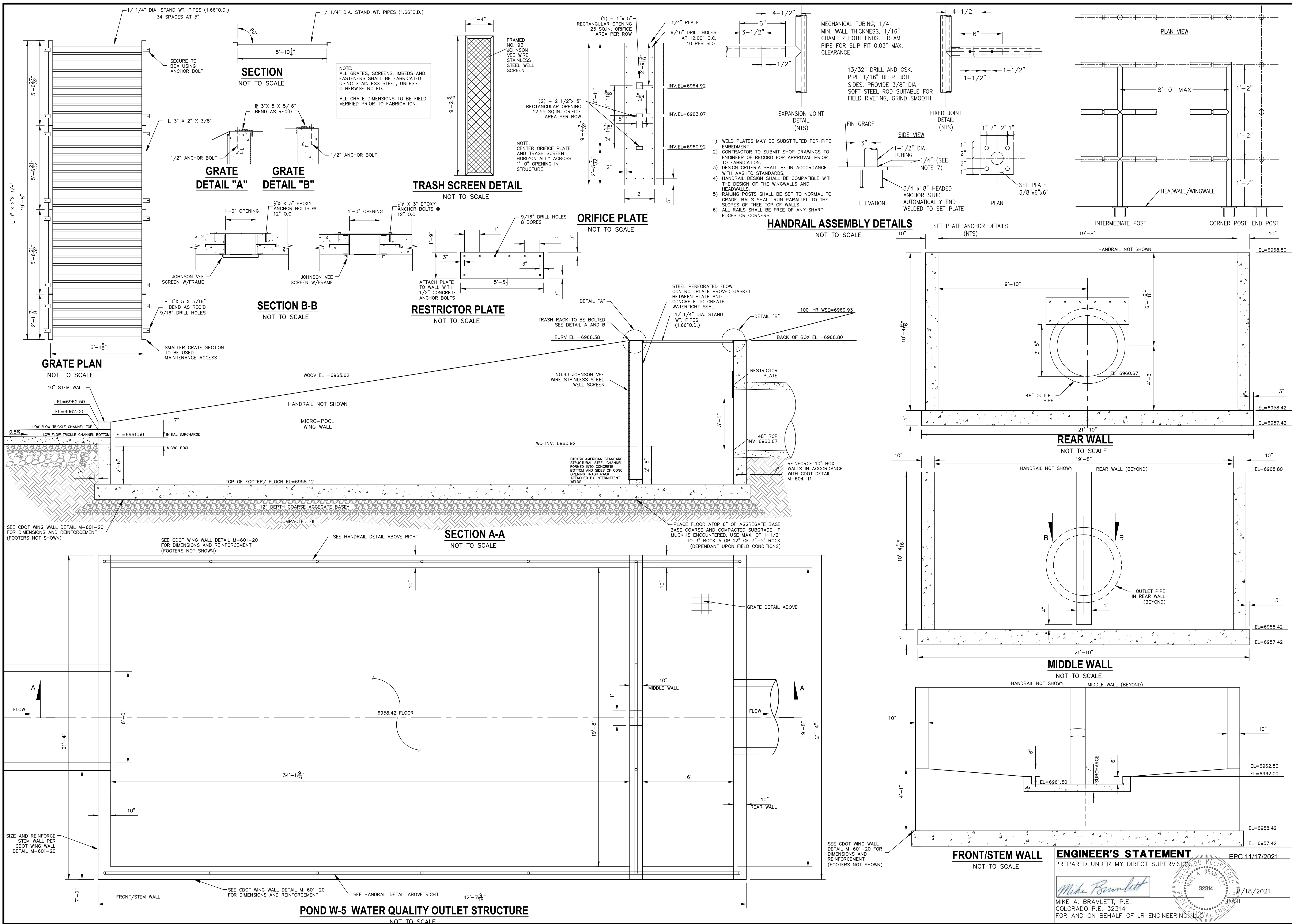


PLACE FLOOR ATOP 6\"/>

**ENGINEER'S STATEMENT**  
PREPARED UNDER MY DIRECT SUPERVISION.  
*Mike Bramlett*  
MIKE A. BRAMLETT, P.E.  
COLORADO P.E. 32314  
FOR AND ON BEHALF OF JR ENGINEERING  
DATE: 8/18/2021

UNTIL SUCH TIME AS THESE DRAWINGS ARE APPROVED BY THE APPROPRIATE REVIEWING AGENCIES, JR ENGINEERING IS NOT TO BE USED FOR ANY PURPOSES DESIGNATED BY WRITTEN AUTHORIZATION.
PREPARED FOR <b>SR LAND, LLC</b> 20 BOULDER CRESCENT SUITE 201 COLORADO SPRINGS, CO 80903 JAMES F. MORLEY (719) 471-1742
<b>JR ENGINEERING</b> A Western Company  Central 303-740-9383 • Colorado Springs 719-580-2583 Fort Collins 970-491-8888 • www.jrengineering.com
STERLING RANCH FILING NO.2 POND DETAILS
SHEET 16 OF 26 JOB NO. 25188.01





UNTIL SUCH TIME AS THESE DRAWINGS ARE APPROVED BY THE AGENCIES, OR ENGINEERING ONLY FOR THE PURPOSES DESIGNATED BY WRITTEN AUTHORIZATION.

PREPARED FOR  
**SR LAND, LLC**  
 20 BOULDER CRESCENT  
 SUITE 201  
 COLORADO SPRINGS, CO 80903  
 JAMES F. MORLEY  
 (719) 471-1742

**J-R ENGINEERING**  
 A Western Company  
 Centennial 305-740-9383 • Colorado Springs 719-580-2693  
 Fort Collins 970-491-8888 • www.jrengineering.com

No.	REVISION	DATE	BY	DATE	No.	REVISION	DATE	BY	DATE	No.	REVISION	DATE	BY	DATE	No.	REVISION	DATE	BY	DATE	
																				H-SCALE
1"	50'				1"	5'	08/18/21	RAB												

STERLING RANCH FILING NO.2  
**POND DETAILS**

SHEET 17 OF 26  
 JOB NO. 25188.01

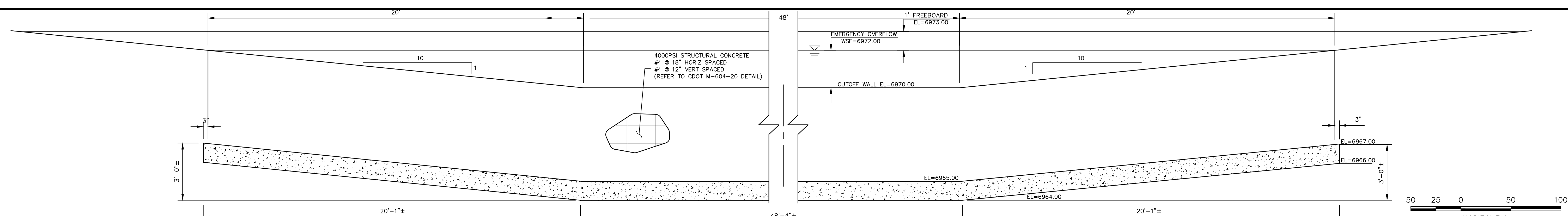
**ENGINEER'S STATEMENT**  
 PREPARED UNDER MY DIRECT SUPERVISION  
 Mike Bramlett  
 MIKE A. BRAMLETT, P.E.  
 COLORADO P.E. 32314  
 FOR AND ON BEHALF OF JR ENGINEERING

EPC 11/17/2021  
 8/18/2021



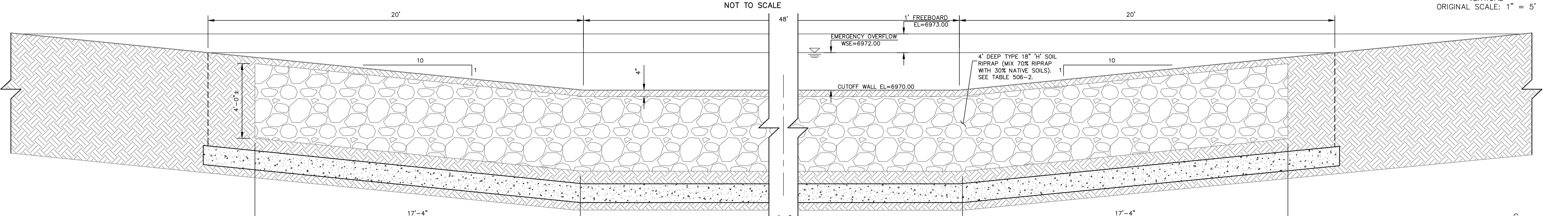




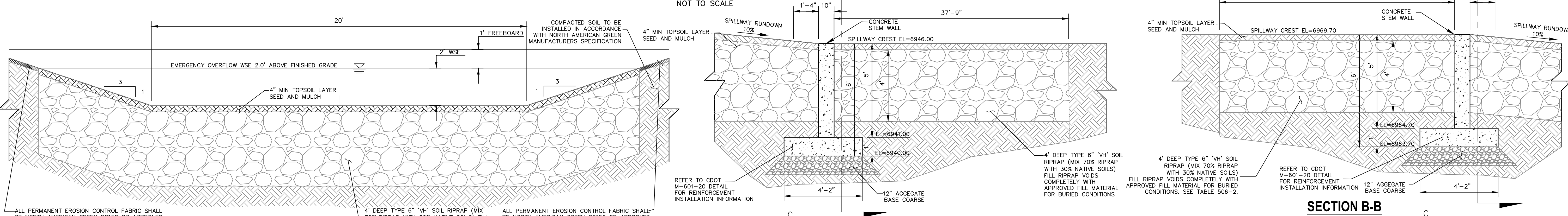


**SECTION A-A CONCRETE CUTOFF WALL - ELEVATION**  
NOT TO SCALE

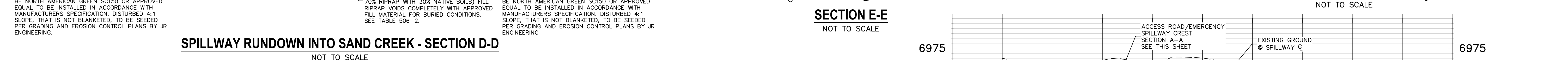
HORIZONTAL ORIGINAL SCALE: 1" = 50'  
VERTICAL ORIGINAL SCALE: 1" = 5'



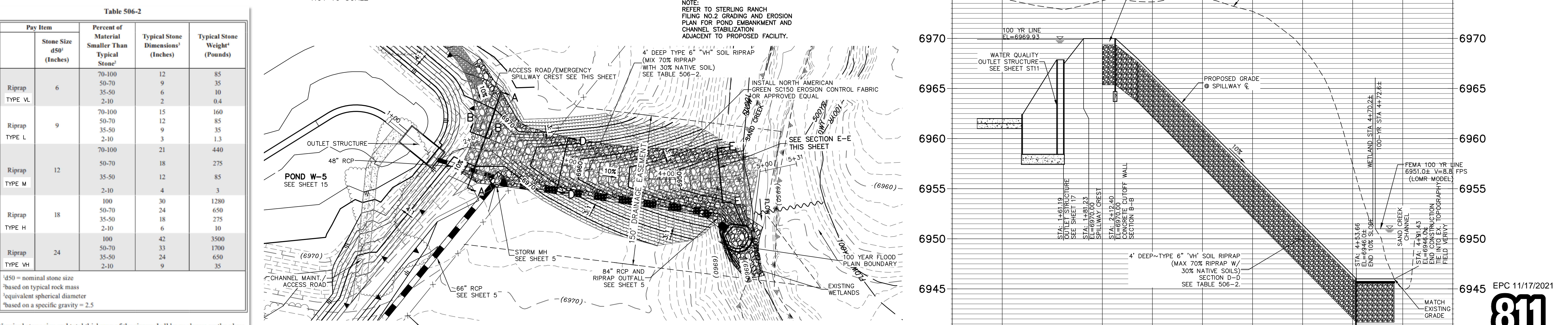
**SECTION C-C**  
NOT TO SCALE



**SECTION B-B**  
NOT TO SCALE



**SECTION E-E**  
NOT TO SCALE



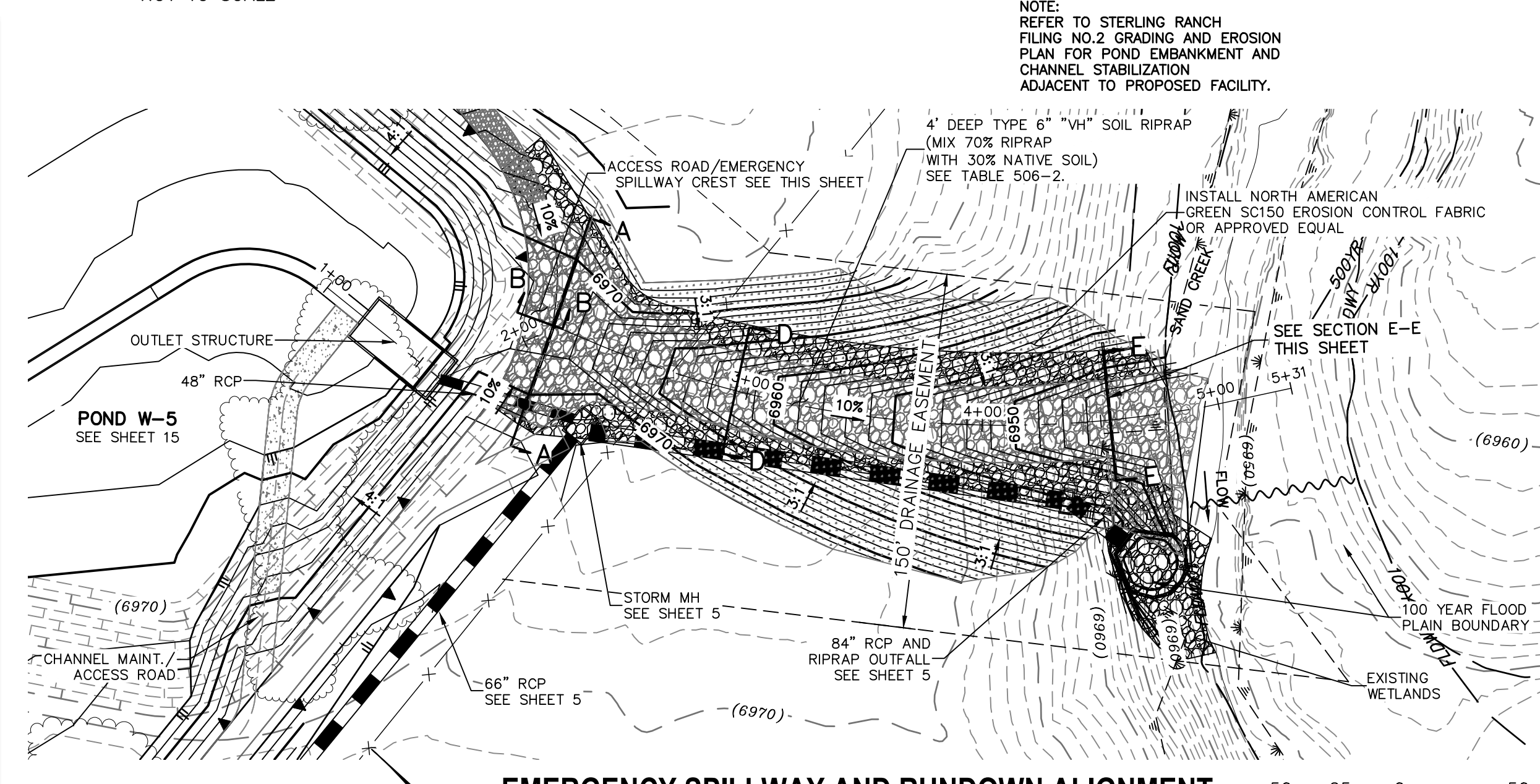
**SPILLWAY RUNDOWN INTO SAND CREEK - SECTION D-D**  
NOT TO SCALE

**Table 506-2**

Pay Item	Stone Size d50 (Inches)	Percent of Material Smaller Than Typical Stone <sup>1</sup>	Typical Stone Dimensions <sup>1</sup> (Inches)	Typical Stone Weight <sup>1</sup> (Pounds)
Riprap TYPE VL	6	70-100	12	85
		50-70	9	35
Riprap TYPE L	9	35-50	6	10
		2-10	2	0.4
Riprap TYPE M	12	70-100	15	160
		50-70	12	85
Riprap TYPE H	18	35-50	9	35
		2-10	3	1.3
Riprap TYPE VH	24	70-100	21	440
		50-70	18	275
Riprap TYPE H	18	35-50	12	85
		2-10	4	3
Riprap TYPE VH	24	100	30	1280
		50-70	24	650
Riprap TYPE VH	24	35-50	18	275
		2-10	6	10
Riprap TYPE VH	24	100	42	3500
		50-70	33	1700
Riprap TYPE VH	24	35-50	24	650
		2-10	9	35

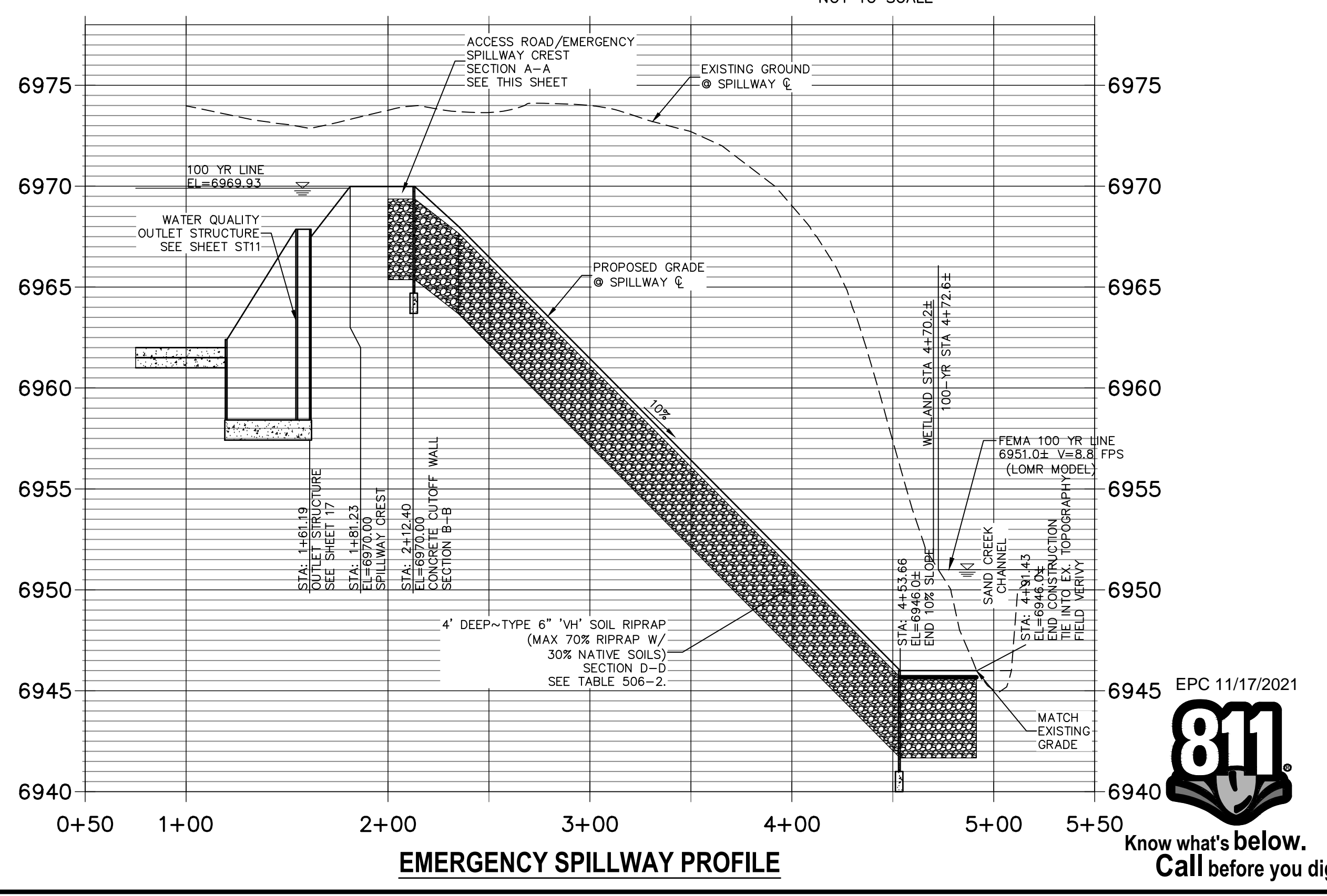
<sup>1</sup>d50 = nominal stone size  
<sup>2</sup>based on typical rock mass  
<sup>3</sup>equivalent spherical diameter  
<sup>4</sup>based on a specific gravity = 2.5

Nominal stone size and total thickness of the riprap shall be as shown on the plans.



**EMERGENCY SPILLWAY AND RUNDOWN ALIGNMENT**

HORIZONTAL ORIGINAL SCALE: 1" = 50'  
VERTICAL ORIGINAL SCALE: 1" = 5'



**EMERGENCY SPILLWAY PROFILE**

EPC 11/17/2021  
**811**  
Know what's below.  
Call before you dig.

UNTIL SUCH TIME AS THESE DRAWINGS ARE APPROVED BY THE APPROPRIATE REVIEWING AGENCIES, OR ENGINEERING APPROVES THEIR USE, THESE DRAWINGS ARE DESIGNATED BY WRITTEN AUTHORIZATION.

PREPARED FOR  
**SR LAND, LLC**  
20 BOULDER CRESCENT  
SUITE 201  
COLORADO SPRINGS, CO 80903  
JAMES F. MORLEY  
(719) 471-1742

**J.R. ENGINEERING**  
A Westman Company  
Central 303-740-9883 • Colorado Springs 719-583-2593  
Fort Collins 970-491-9888 • www.jrengineering.com

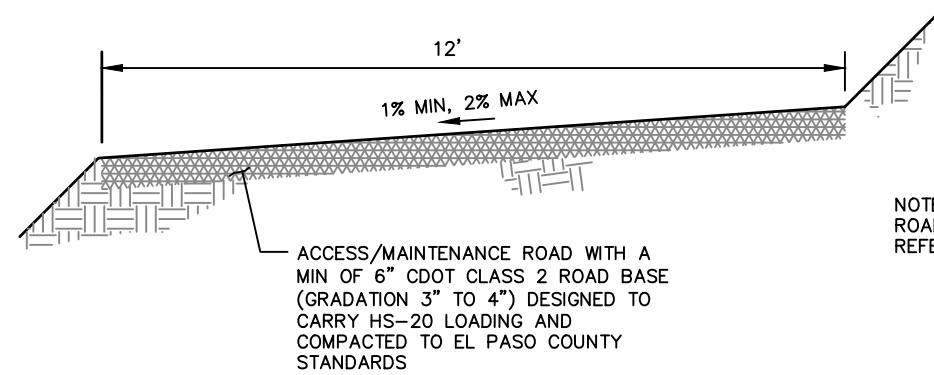
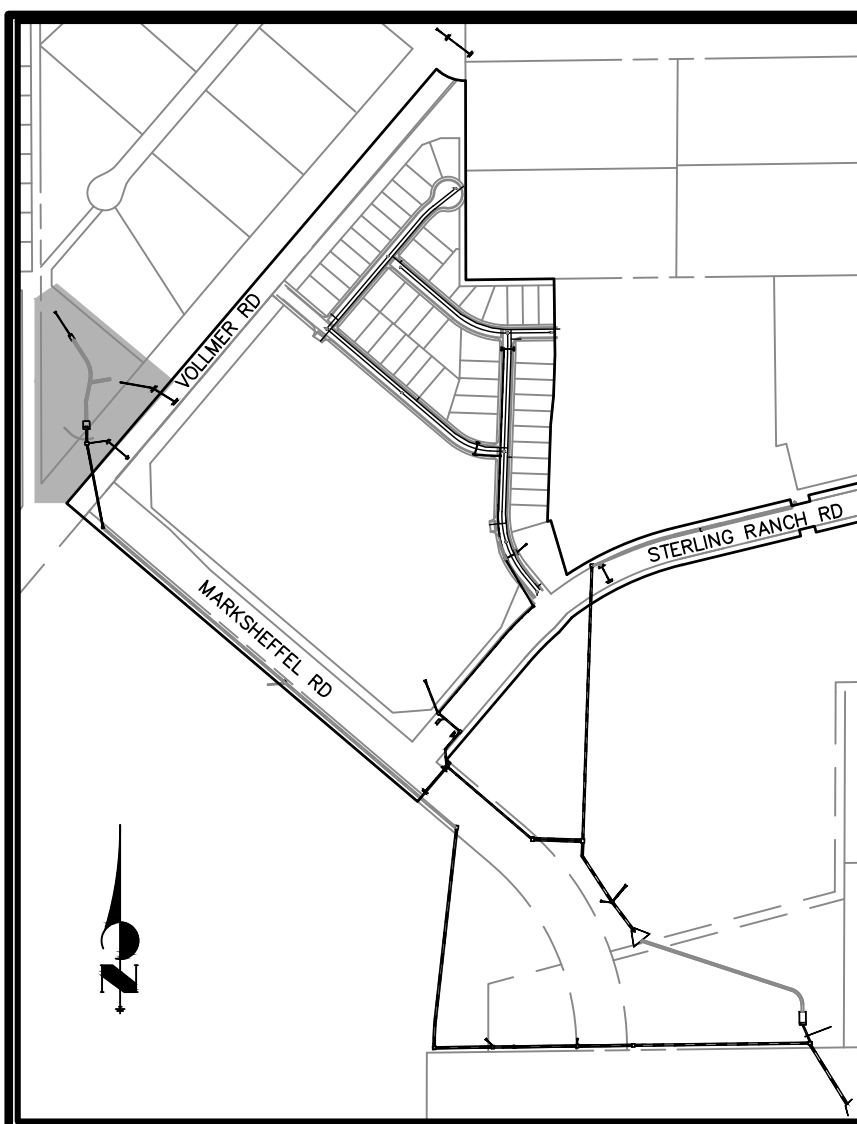
No.	REVISION	DATE	BY	DATE
1		08/18/21	RAB	
2			KRW	

STERLING RANCH FILING NO.2  
POND DETAILS

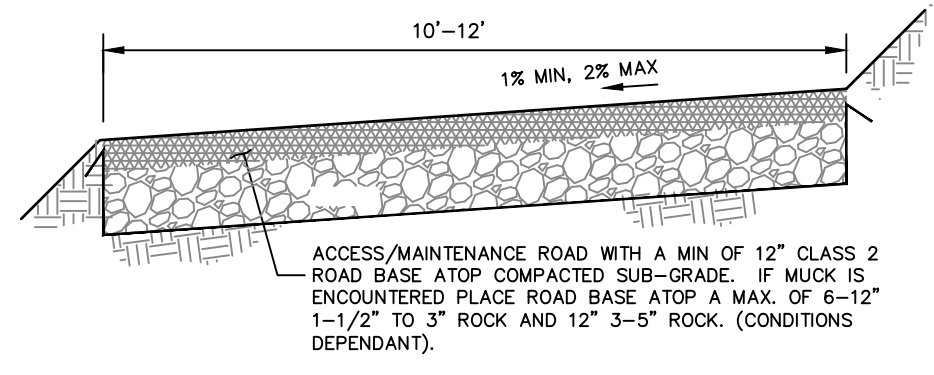
DESIGNED BY: RAB  
DRAWN BY: KRW  
CHECKED BY:

SHEET 19 OF 26  
JOB NO. 25188.01

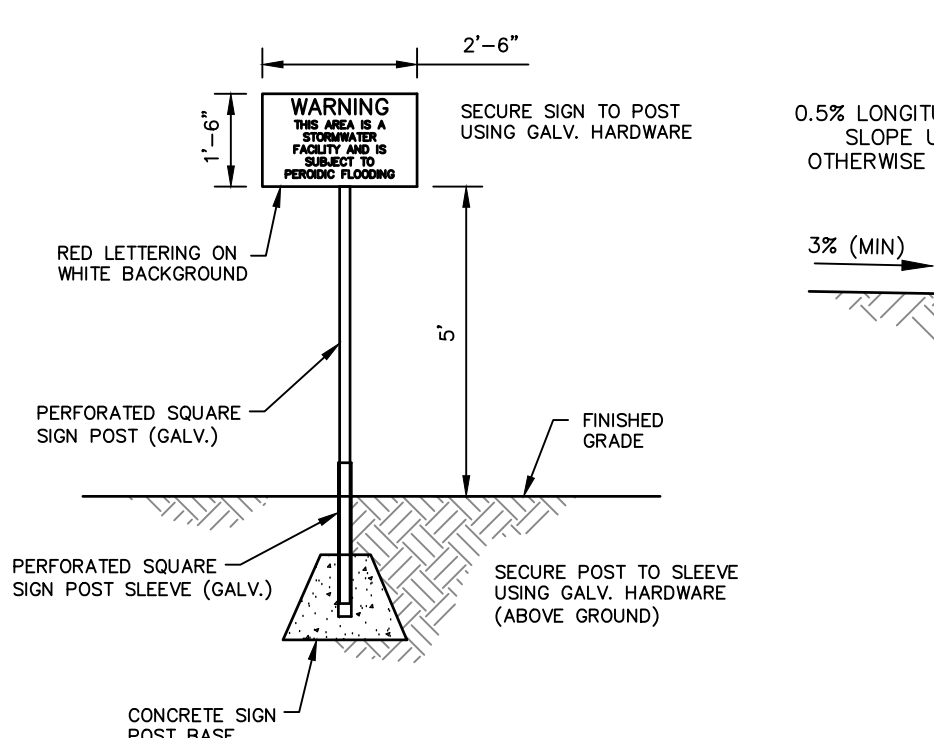




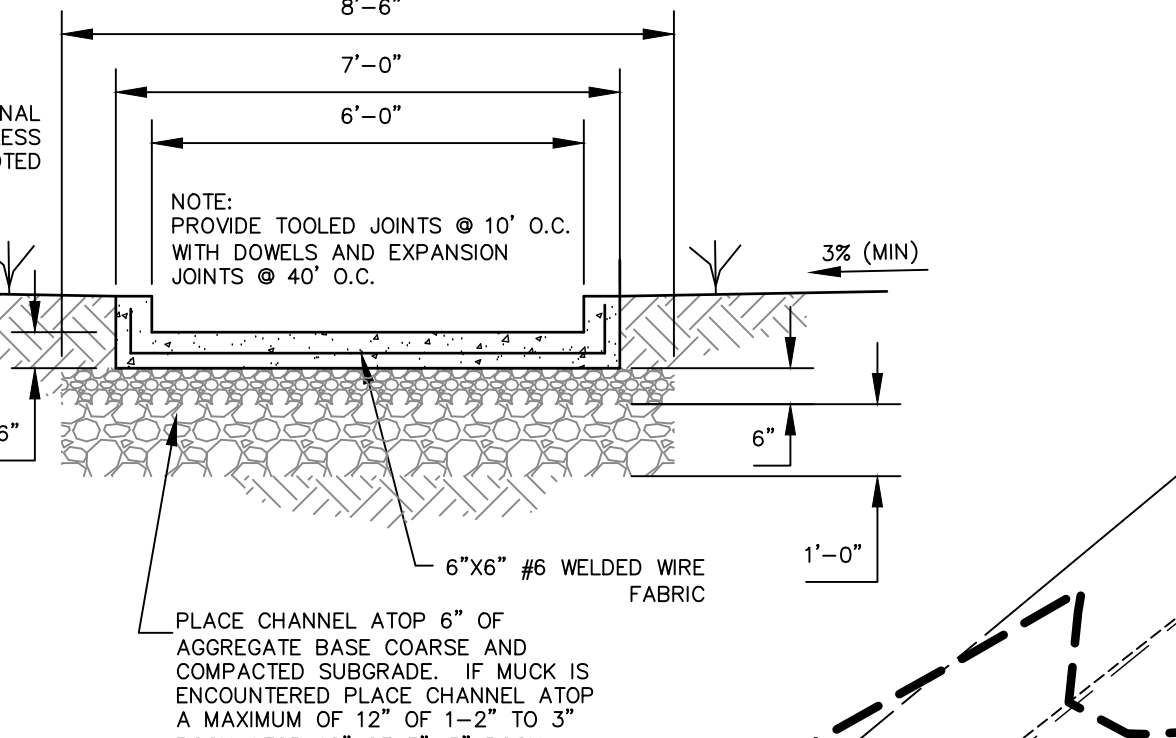
**MAINTENANCE & ACCESS ROAD ABOVE EURV TYPICAL SECTION**  
NOT TO SCALE



**MAINTENANCE & ACCESS ROAD BELOW EURV TYPICAL SECTION**  
NOT TO SCALE



**POND WARNING SIGN**  
NOT TO SCALE



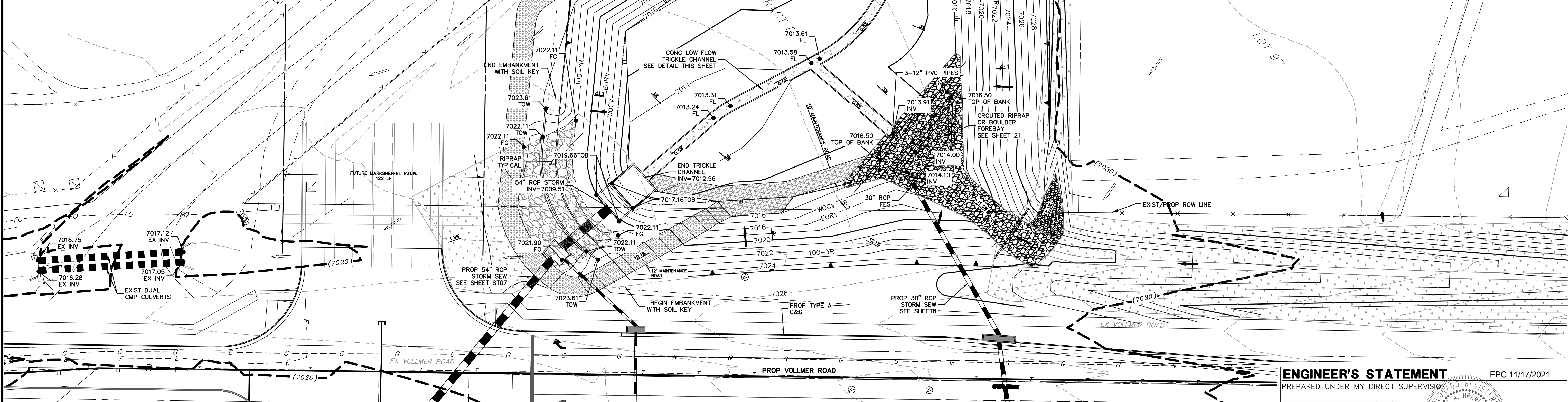
**LOW FLOW CHANNEL TYPICAL SECTION**  
NOT TO SCALE

**NOTES:**  
SEE STERLING RANCH-FILING NO. 2 GRADING AND EROSION CONTROL PLANS FOR EROSION CONTROL DETAILS.  
FULL SPECTRUM DETENTION POND TO BE MAINTAINED BY STERLING RANCH METRO DISTRICT.

**POND W-4 FULL SPECTRUM DETENTION BASIN DATA**  
WQ WATER SURFACE EL = 7017.09  
WQ VOLUME = 1.86 AC-FT  
EURV WATER SURFACE EL = 7018.11  
EURV VOLUME = 2.79 AC-FT  
100-YR WATER SURFACE EL = 7022.10  
SPILLWAY CREST EL = 7022.11  
TOP OF EMBANKMENT EL = 7024.71  
100-YR VOLUME = 7.506 AC-FT  
100-YR INFLOW = 308.1 CFS  
100-YR RELEASE = 221.6 CFS



- LEGEND**
- EX EXISTING
  - FUT FUTURE
  - PROP PROPOSED
  - 7070 PROP MAJ CONT
  - (7070) PROP MIN CONT
  - EXIST MAJ CONT
  - EXIST MIN CONT
  - NORTH AMERICAN GREEN SC150 PERM EROSION CONTROLBLANKET
  - NORTH AMERICAN GREEN SC250 PERM EROSION CONTROLBLANKET
  - GROUDED RIPRAP
  - RIPRAP TYP.
  - STABILIZED MAINTENANCE ROAD ABOVE EURV
  - STABILIZED MAINT. ROAD BELOW EURV
  - RIPRAP LOW FLOW CHANNEL
  - EX. FLOW ARROW
  - PROP. FLOW ARROW
- KEY MAP**
- NTS
  - EXISTING
  - FUTURE
  - PROPOSED
  - PROP MAJ CONT
  - PROP MIN CONT
  - EXIST MAJ CONT
  - EXIST MIN CONT
  - PROPERTY LINE
  - EX PROPERTY LINE
  - PROP STORM SEWER PIPE
  - EX. STORM SEWER PIPE
  - WARNING SIGN
  - SHOULDER EDGE
  - EX. FENCE
- 30 15 0 30 60  
ORIGINAL SCALE: 1" = 30'



**FULL SPECTRUM DETENTION POND W-4**  
**SITE PLAN**  
SCALE 1"=30'

**ENGINEER'S STATEMENT** EPC 11/17/2021  
PREPARED UNDER MY DIRECT SUPERVISION  
*Mike Bramlett*  
MIKE A. BRAMLETT, P.E.  
COLORADO P.E. 32314  
FOR AND ON BEHALF OF JR ENGINEERING

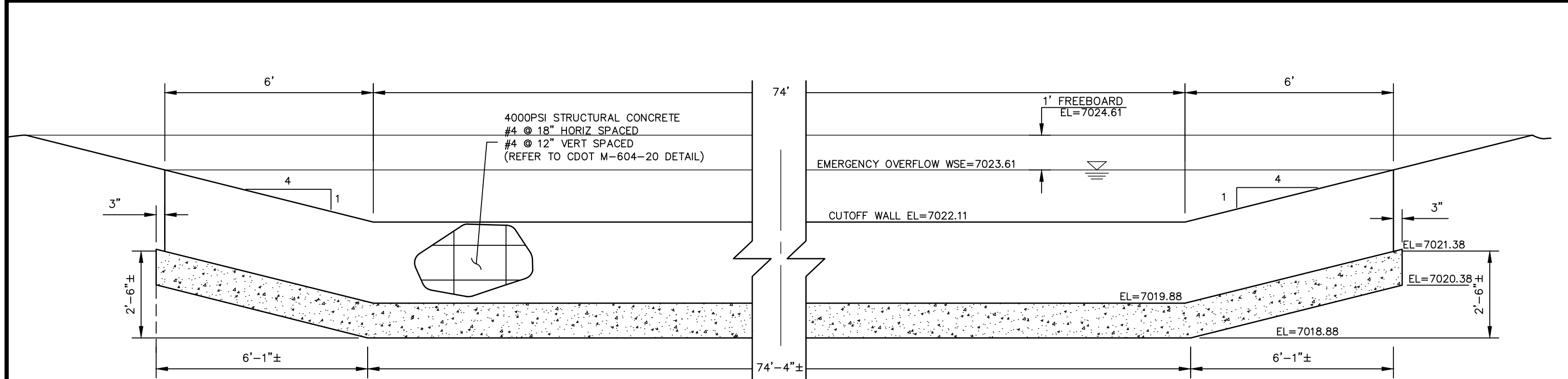
8/18/2021

UNTIL SUCH TIME AS THESE DRAWINGS ARE APPROVED BY THE AGENCIES, OR ENGINEERING APPROVES THEIR USE DESIGNATED BY WRITTEN AUTHORIZATION.	
PREPARED FOR	SR LAND, LLC 20 BOULDER CRESCENT SUITE 201 COLORADO SPRINGS, CO 80903 JAMES F. MORLEY (719) 471-1742
BY	J.R. ENGINEERING A Westman Company Centennial 300-740-9888 • Colorado Springs 719-583-2593 Fort Collins 970-491-9888 • www.jrengineering.com
DATE	
REVISION	
H-SCALE	1"=30'
V-SCALE	N/A
DATE	08/18/21
DESIGNED BY	RAB
DRAWN BY	KRW
CHECKED BY	
STERLING RANCH FILING NO. 2	
POND W-4	
SHEET	20 OF 26
JOB NO.	25188.01

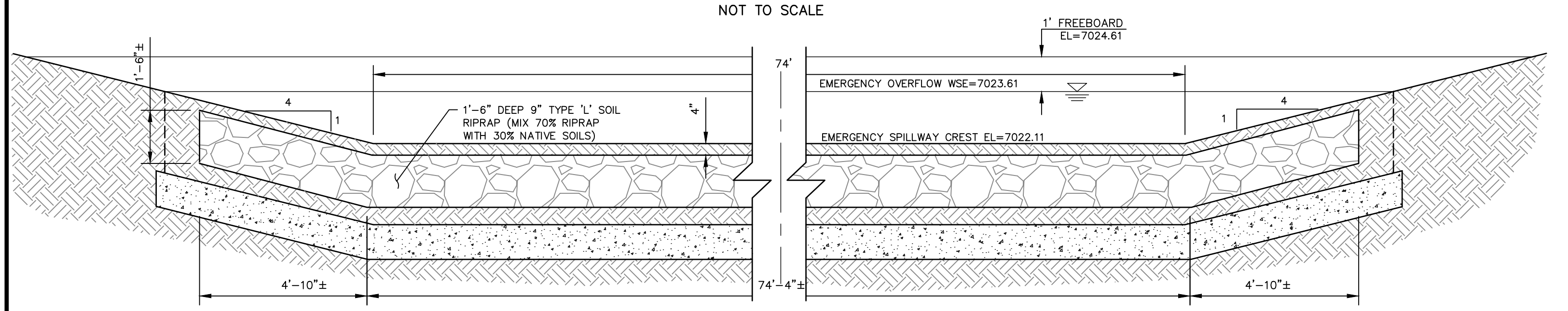




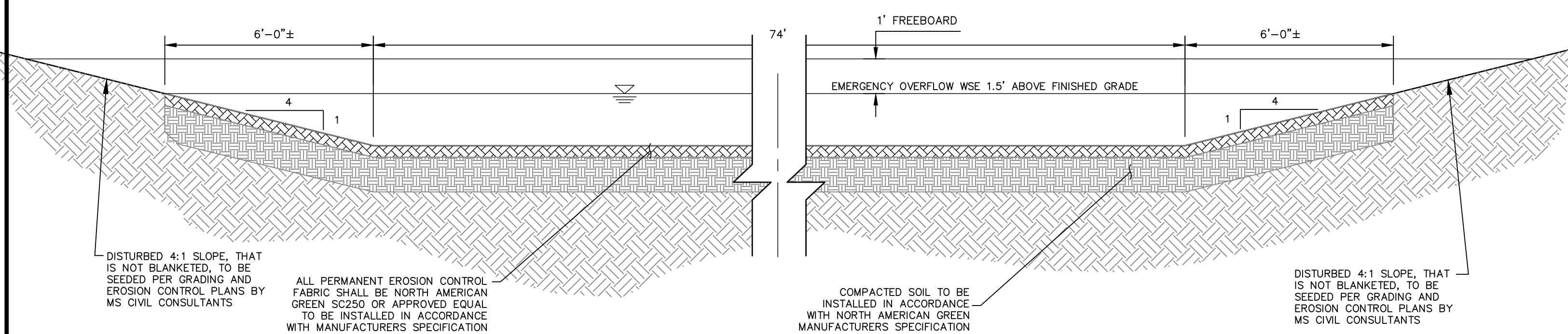




**SECTION A-A CONCRETE CUTOFF WALL - ELEVATION**  
NOT TO SCALE

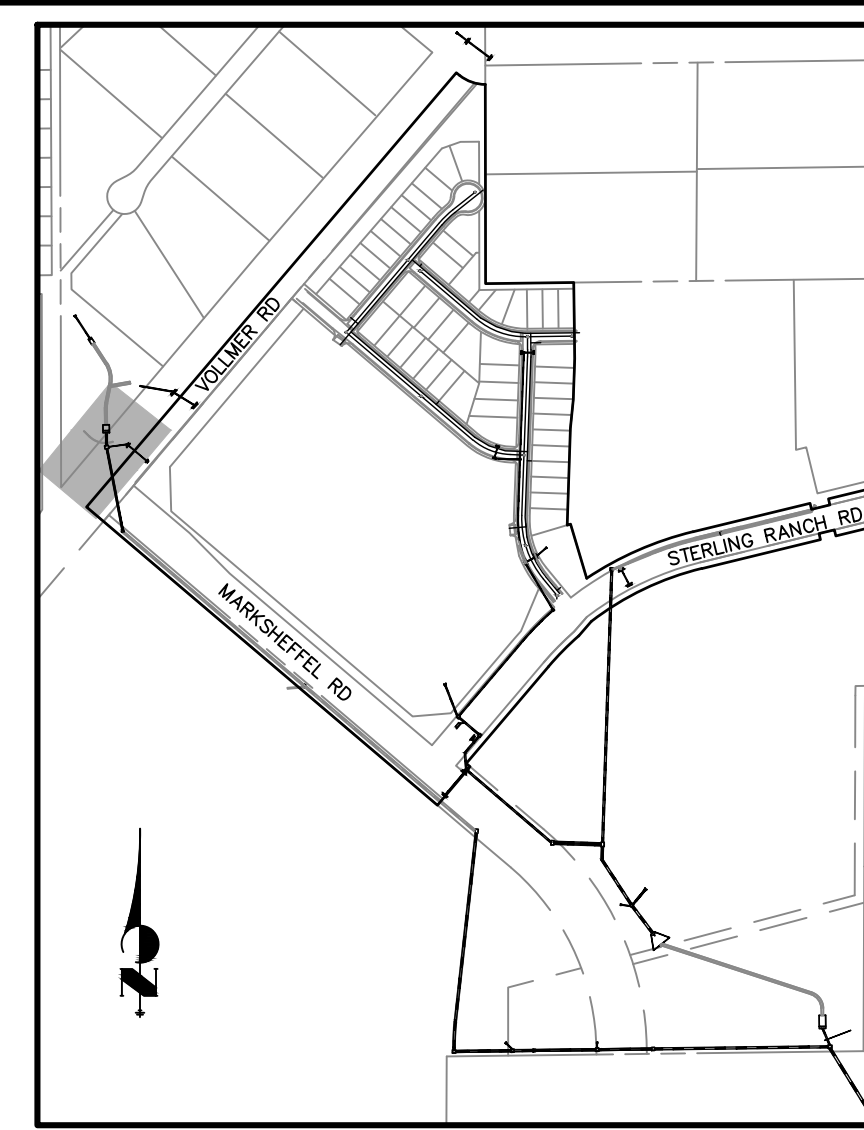


**SECTION C-C**  
NOT TO SCALE

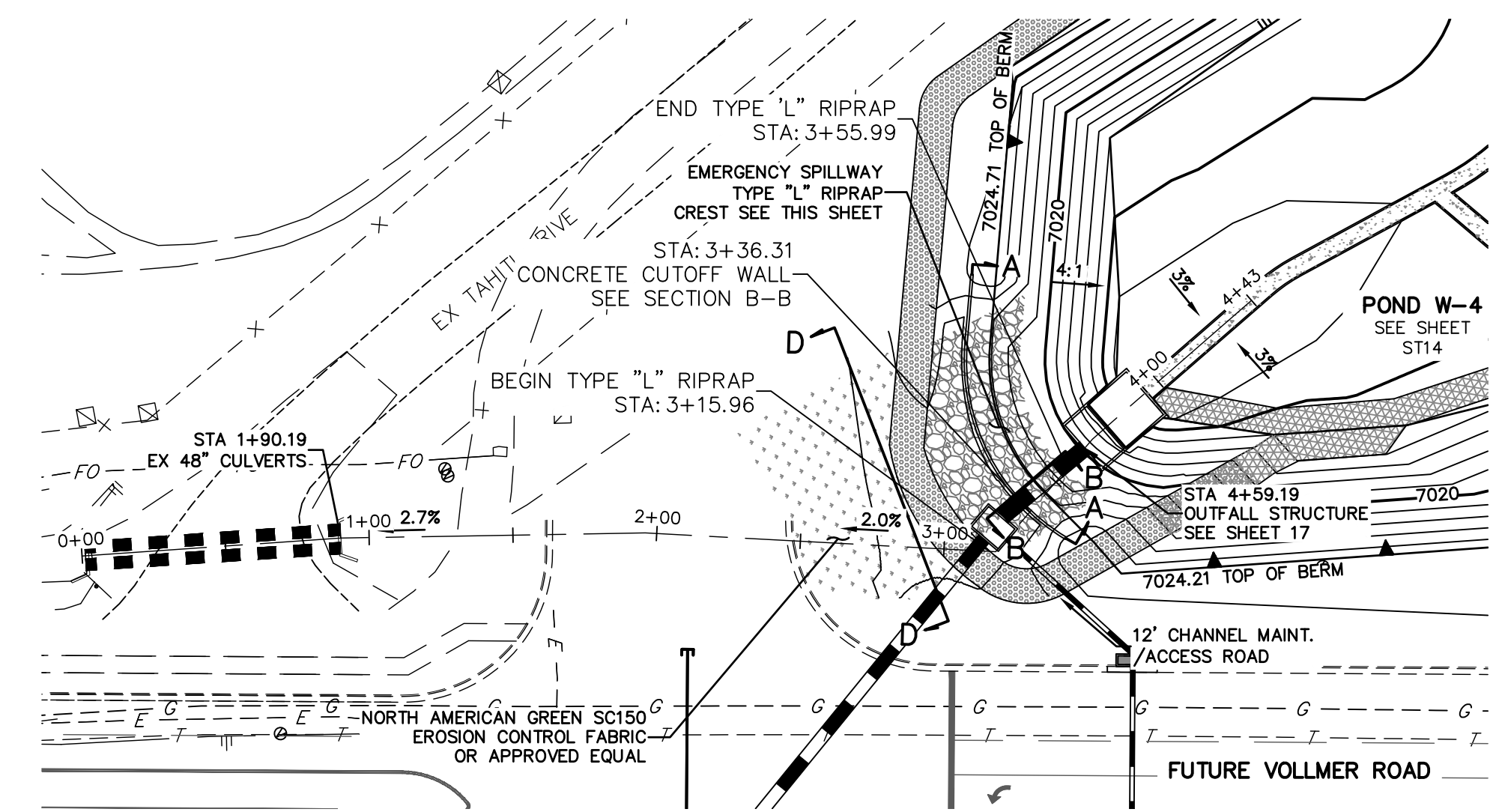


**SECTION D-D SWALE RUNDOWN INTO VOLLMER DITCH**  
NOT TO SCALE

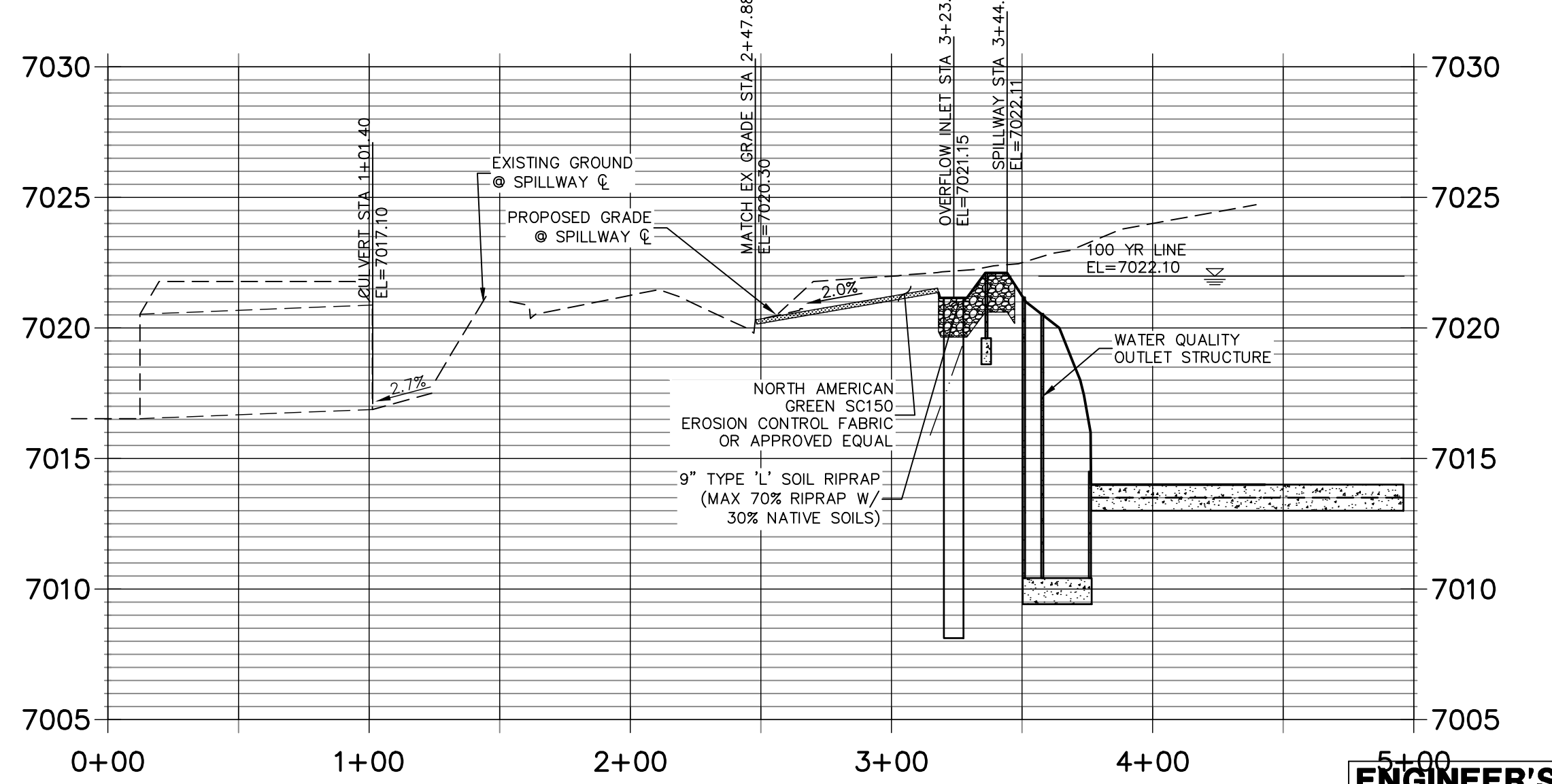
- LEGEND**
- EX EXISTING
  - FUT FUTURE
  - PROP PROPOSED
  - PROP MAJ CONT
  - PROP MIN CONT
  - EXIST MAJ CONT
  - EXIST MIN CONT
  - NORTH AMERICAN GREEN SC150 PERM EROSION CONTROL BLANKET
  - NORTH AMERICAN GREEN SC250 PERM EROSION CONTROL BLANKET
  - GROUTED RIPRAP
  - RIPRAP TYP.
  - RIPRAP LOW FLOW CHANNEL
  - EX. FLOW ARROW
  - PROP. FLOW ARROW
  - PROPERTY LINE
  - EX PROPERTY LINE
  - PROP STORM SEWER PIPE
  - EX. STORM SEWER PIPE
  - WARNING SIGN
  - SHOULDER EDGE
  - EX. FENCE
  - STABILIZED MAINTENANCE ROAD ABOVE EURV
  - STABILIZED MAINT. ROAD BELOW EURV



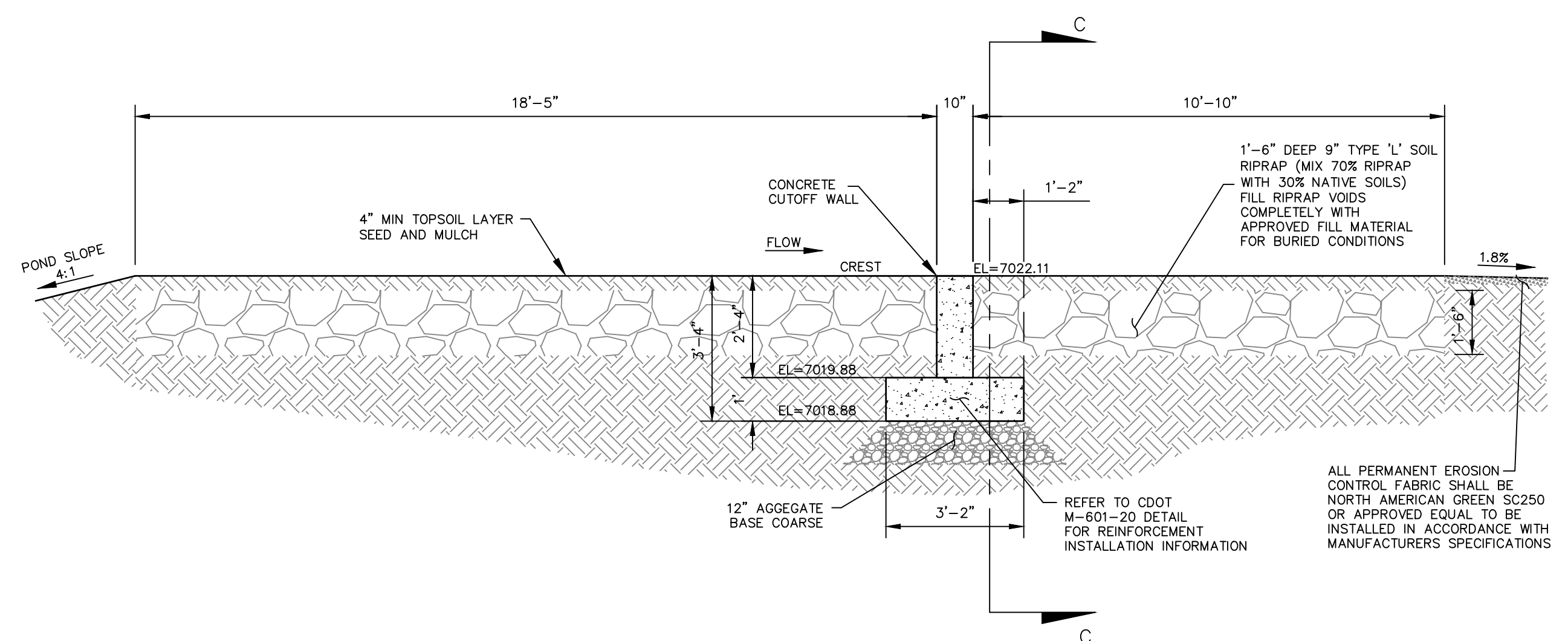
**KEY MAP**  
NTS



**POND W4 EMERGENCY SPILLWAY4**  
**STA 0+00.00 TO 5+00.00**  
**PRIVATE (SRMD)**



50 25 0 50  
HORIZONTAL  
ORIGINAL SCALE: 1" = 50'  
VERTICAL  
ORIGINAL SCALE: 1" = 5'



**SECTION B-B**  
NOT TO SCALE

NOTE:  
SEE CDOT GRADATION TABLE 506-2  
ON SHEET 19 FOR ADDITIONAL  
INFORMATION ON RIP RAP MATERIAL

NOTE:  
REFER TO STERLING RANCH  
FILING NO.2 GRADING AND EROSION  
PLAN FOR POND EMBANKMENT AND  
CHANNEL STABILIZATION  
ADJACENT TO PROPOSED FACILITY.

**ENGINEER'S STATEMENT**  
PREPARED UNDER MY DIRECT SUPERVISION

*Mike Bramlett*  
MIKE A. BRAMLETT, P.E.  
COLORADO P.E. 32314  
FOR AND ON BEHALF OF JR ENGINEERING

DATE: 8/18/2021

32314

EPC 11/17/2021

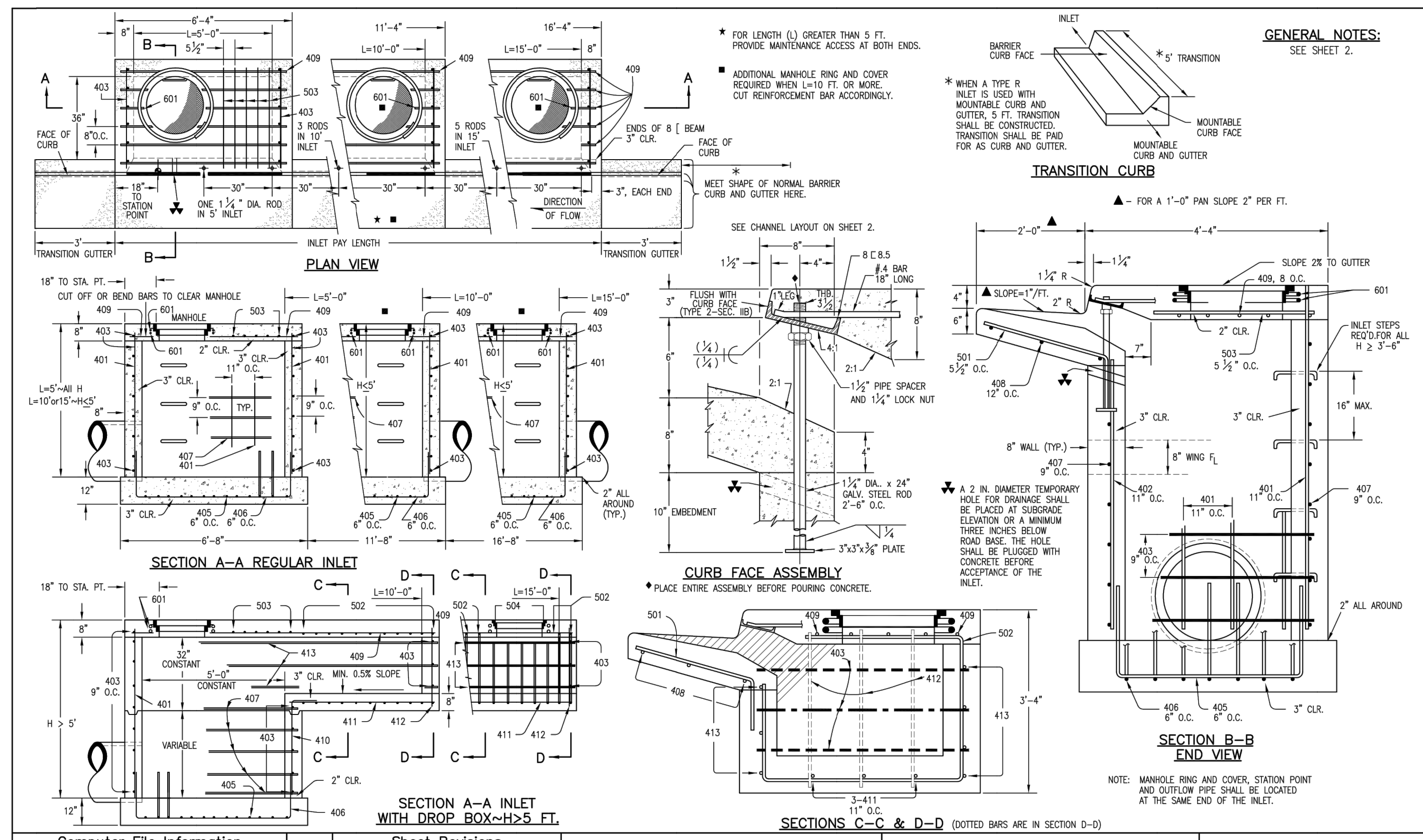
UNTIL SUCH TIME AS THESE DRAWINGS ARE APPROVED BY THE APPROPRIATE REVIEWING AGENCIES, THESE DRAWINGS SHALL BE APPLIED ONLY FOR THE PURPOSES DESIGNATED BY WRITTEN AUTHORIZATION.	
PREPARED FOR	SR LAND, LLC 20 BOULDER CRESCENT SUITE 201 COLORADO SPRINGS, CO 80903 JAMES F. MORLEY (719) 471-1742
DESIGNED BY	RAB
DRAWN BY	KRW
CHECKED BY	
DATE	08/18/21
REVISION	
NO.	
H-SCALE	1"=50'
V-SCALE	1"=5'
DATE	08/18/21
DESIGNED BY	RAB
DRAWN BY	KRW
CHECKED BY	
STERLING RANCH FILING NO.2	
POND DETAILS	
SHEET	22 OF 26
JOB NO.	25188.01

X:\25188.01\Drawings\Sheet\Drawings\Sterling Ranch\Filing 2\_Civil\Storm Plans\DP16.dwg, DP16, 11/4/2021, 9:32:56 AM, FC

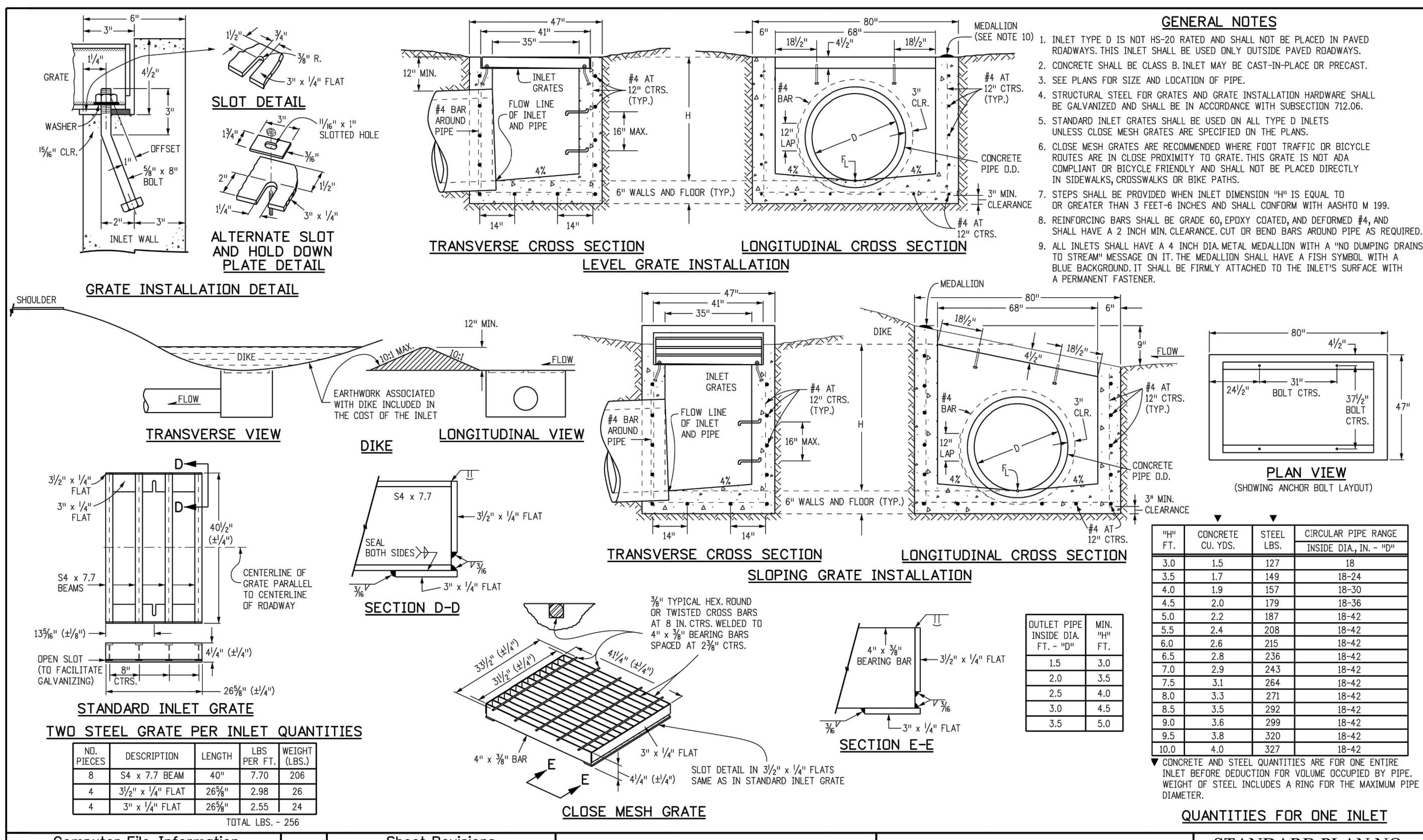




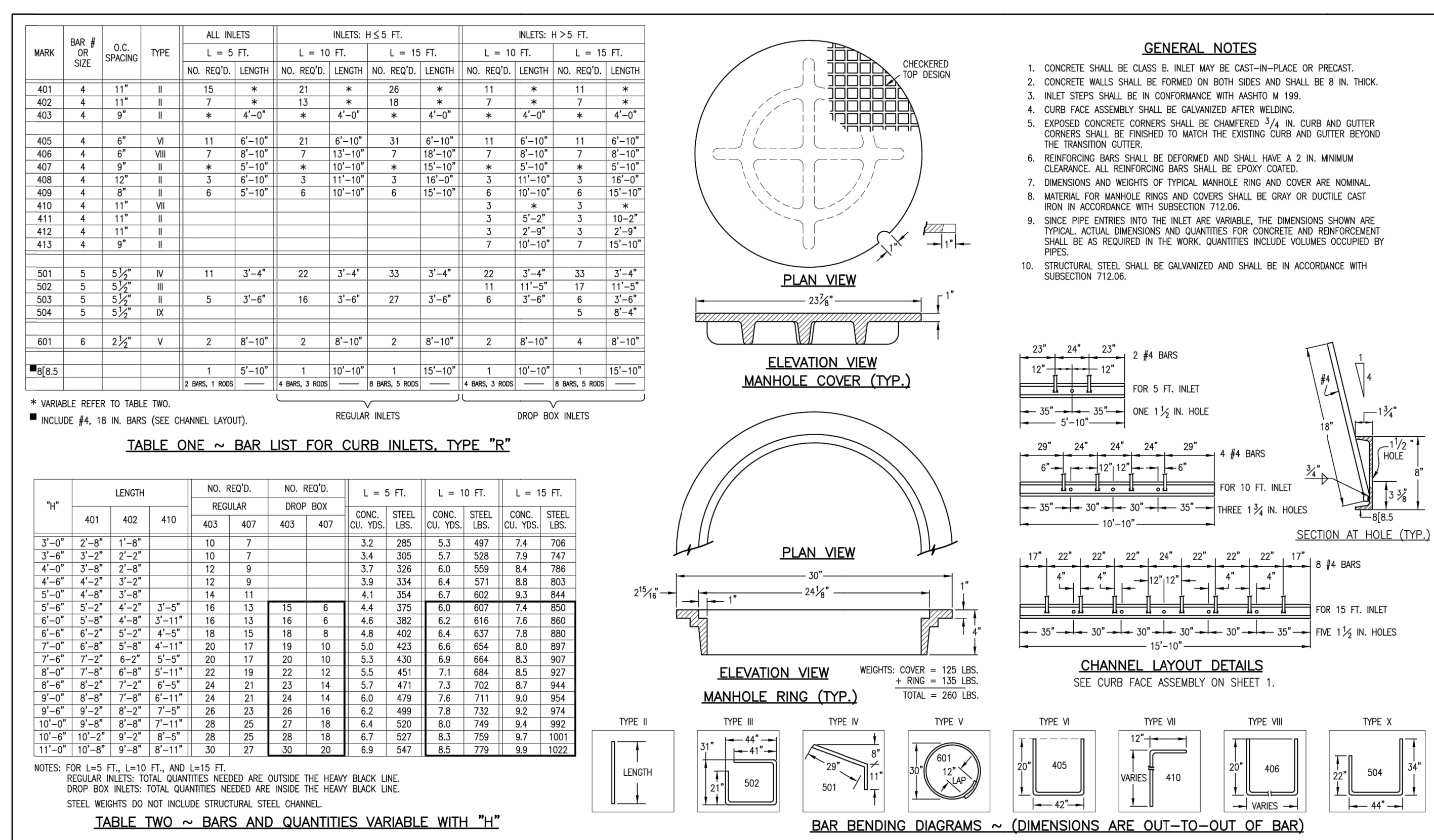




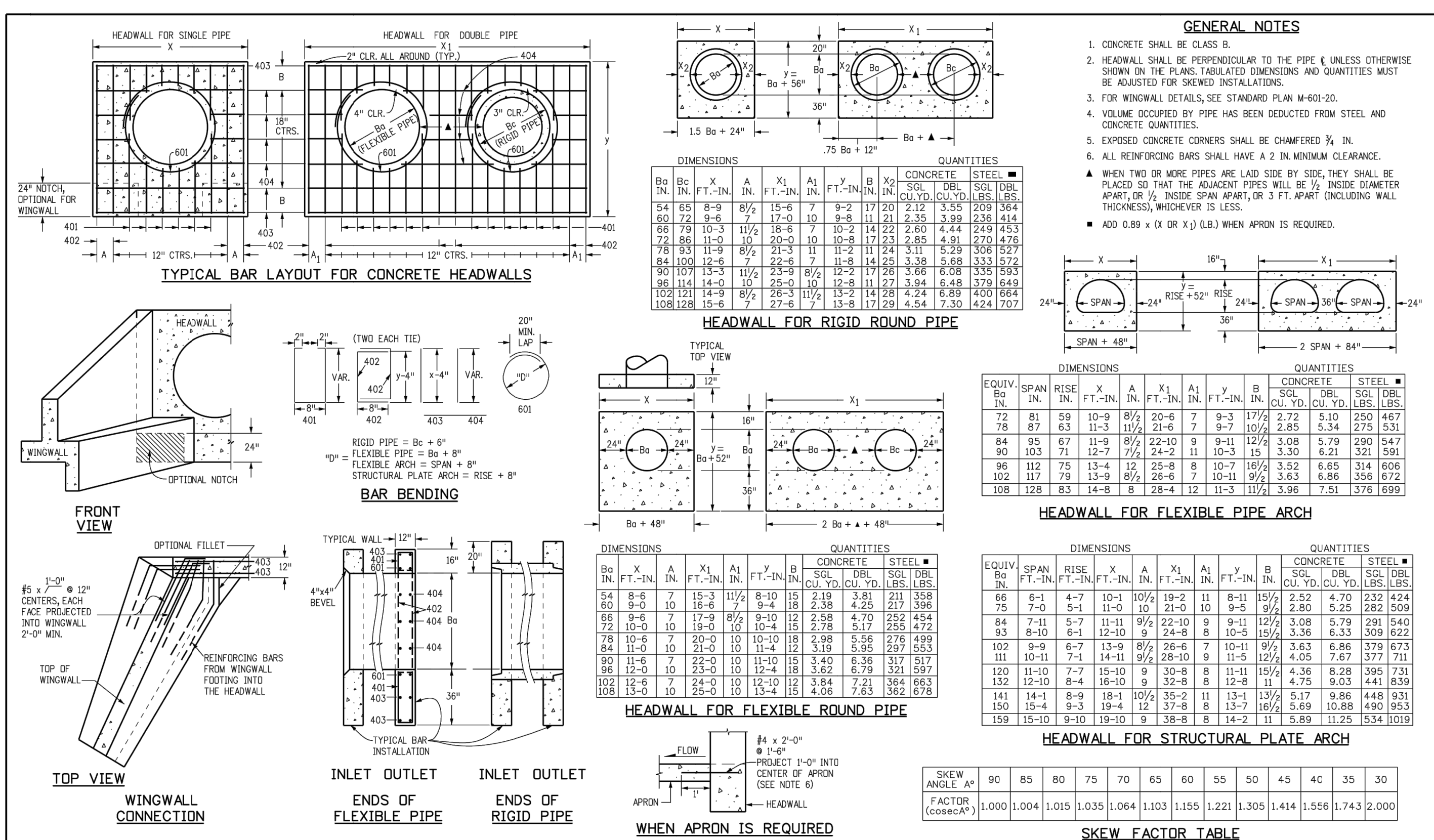
<b>Computer File Information</b> Creation Date: 07/04/06 Last Modification Date: 07/04/06 Full Path: www.dot.state.co.us/DesignSupport/ Drawing File Name: 6040120102.dwg CAD Ver.: MicroStation V8 Scale: Not to Scale Units: English	<b>Sheet Revisions</b> Date: _____ Comments: _____	<b>Colorado Department of Transportation</b> 4201 East Arkansas Avenue Denver, Colorado 80222 Phone: (303) 757-9083 Fax: (303) 757-9820 Project Development Branch SRJ/LTA	<b>STANDARD PLAN NO.</b> M-604-12
---	--	---	--------------------------------------



<b>Computer File Information</b> Creation Date: 07/31/19 Designer Initials: JBR Last Modification Date: 07/31/19 Drafter Initials: LTA CAD Ver.: MicroStation V8 Scale: Not to Scale Units: English	<b>Sheet Revisions</b> Date: _____ Comments: _____	<b>Colorado Department of Transportation</b> 2829 West Howard Place CDOT HQ, 3rd Floor Denver, CO 80204 Phone: 303-757-9021 FAX: 303-757-9868 Project Development Branch JBR	<b>STANDARD PLAN NO.</b> M-604-11
--	--	---	--------------------------------------



<b>Computer File Information</b> Creation Date: 07/04/06 Last Modification Date: 07/04/06 Full Path: www.dot.state.co.us/DesignSupport/ Drawing File Name: 6040120102.dwg CAD Ver.: MicroStation V8 Scale: Not to Scale Units: English	<b>Sheet Revisions</b> Date: _____ Comments: _____	<b>Colorado Department of Transportation</b> 4201 East Arkansas Avenue Denver, Colorado 80222 Phone: (303) 757-9083 Fax: (303) 757-9820 Project Development Branch SRJ/LTA	<b>STANDARD PLAN NO.</b> M-604-12
---	--	---	--------------------------------------



<b>Computer File Information</b> Creation Date: 07/31/19 Designer Initials: JBR Last Modification Date: 07/31/19 Drafter Initials: LTA CAD Ver.: MicroStation V8 Scale: Not to Scale Units: English	<b>Sheet Revisions</b> Date: _____ Comments: _____	<b>Colorado Department of Transportation</b> 2829 West Howard Place CDOT HQ, 3rd Floor Denver, CO 80204 Phone: 303-757-9021 FAX: 303-757-9868 Project Development Branch JBR	<b>STANDARD PLAN NO.</b> M-601-10
--	--	---	--------------------------------------

UNTIL SUCH TIME AS THESE DRAWINGS ARE APPROVED BY THE AGENCIES, OR ENGINEERING APPROVES THEIR USE, THESE DRAWINGS ARE NOT TO BE USED FOR ANY PURPOSES DESIGNATED BY WRITTEN AUTHORIZATION.

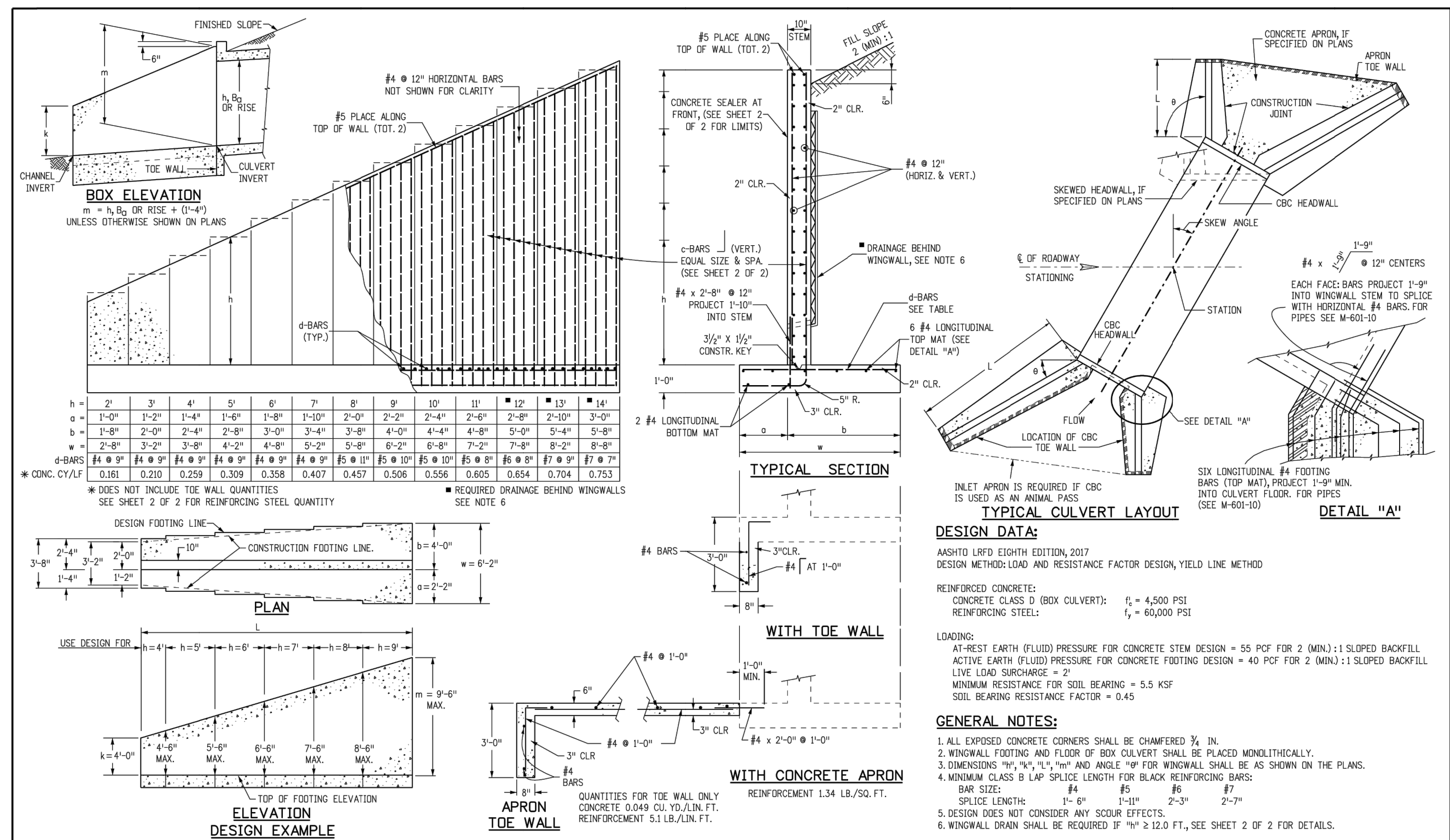
PREPARED FOR  
**SR LAND, LLC**  
 20 BOULDER CRESCENT  
 SUITE 201  
 COLORADO SPRINGS, CO 80903  
 JAMES F. MORLEY  
 (719) 471-1742

**J.R. ENGINEERING**  
 A Westcon Company  
 Centennial 303-740-9383 • Colorado Springs 719-583-2593  
 Fort Collins 970-491-9888 • www.jrengineering.com

STERLING RANCH FILING NO. 2  
 DETAILS

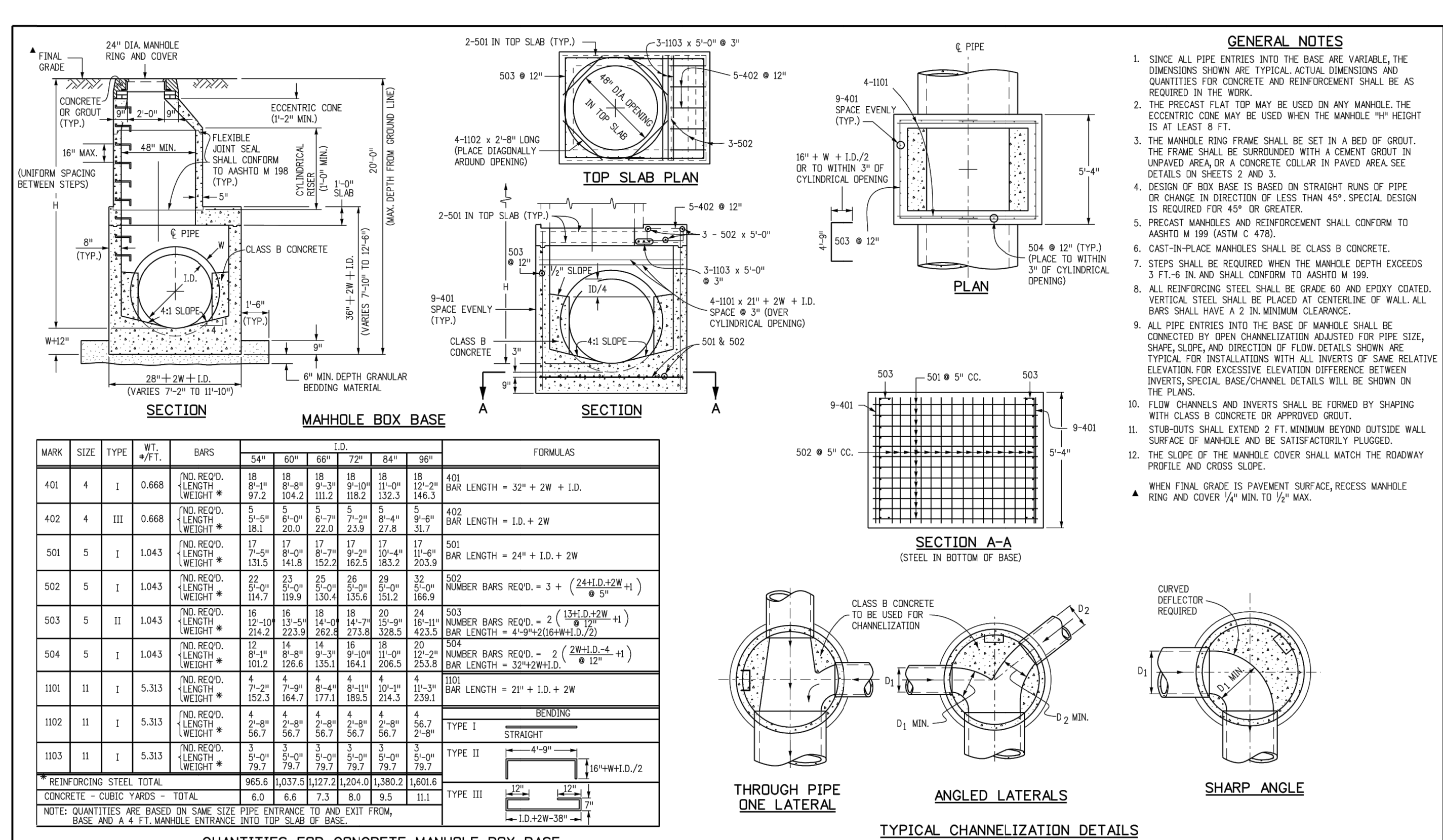
BY DATE  
 NO. REVISION  
 N/A  
 N/A  
 08/18/21  
 RAB  
 KRW  
 DESIGNED BY  
 DRAWN BY  
 CHECKED BY



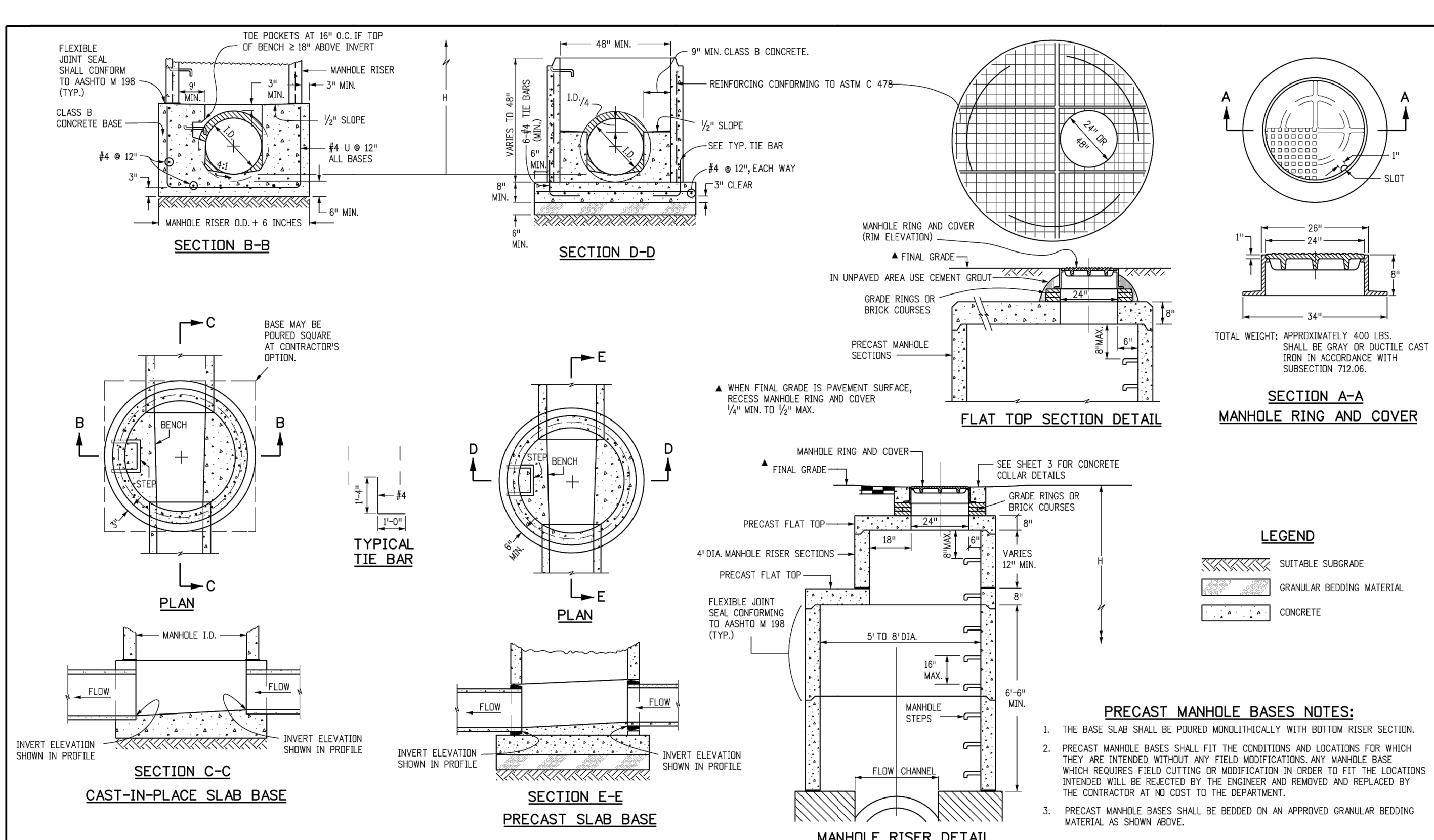


Computer File Information		Sheet Revisions		Colorado Department of Transportation		WINGWALLS FOR PIPE OR BOX CULVERTS		STANDARD PLAN NO.	
Creation Date: 07/04/12	Initials: HHB	Date:	Comments:	2829 West Howard Place	CDOT HO, 3rd Floor	Denver, CO 80204	Phone: 303-757-9021	FAX: 303-757-9868	Division of Project Support
Last Modification Date: 09/04/18	Initials: JBK	09/04/18	LRF Design	2829 West Howard Place	CDOT HO, 3rd Floor	Denver, CO 80204	Phone: 303-757-9021	FAX: 303-757-9868	Division of Project Support
File Path: www.codot.gov/business/designsupport				2829 West Howard Place	CDOT HO, 3rd Floor	Denver, CO 80204	Phone: 303-757-9021	FAX: 303-757-9868	Division of Project Support
Drawing File Name: 6010200102.dgn				2829 West Howard Place	CDOT HO, 3rd Floor	Denver, CO 80204	Phone: 303-757-9021	FAX: 303-757-9868	Division of Project Support
CAD Ver.: MicroStation V8	Scale: Not to Scale	Units: English		2829 West Howard Place	CDOT HO, 3rd Floor	Denver, CO 80204	Phone: 303-757-9021	FAX: 303-757-9868	Division of Project Support

Computer File Information		Sheet Revisions		Colorado Department of Transportation		WINGWALLS FOR PIPE OR BOX CULVERTS		STANDARD PLAN NO.	
Creation Date: 07/04/12	Initials: HHB	Date:	Comments:	2829 West Howard Place	CDOT HO, 3rd Floor	Denver, CO 80204	Phone: 303-757-9021	FAX: 303-757-9868	Division of Project Support
Last Modification Date: 09/04/18	Initials: JBK	09/04/18	LRF Design	2829 West Howard Place	CDOT HO, 3rd Floor	Denver, CO 80204	Phone: 303-757-9021	FAX: 303-757-9868	Division of Project Support
File Path: www.codot.gov/business/designsupport				2829 West Howard Place	CDOT HO, 3rd Floor	Denver, CO 80204	Phone: 303-757-9021	FAX: 303-757-9868	Division of Project Support
Drawing File Name: 6010200202.dgn				2829 West Howard Place	CDOT HO, 3rd Floor	Denver, CO 80204	Phone: 303-757-9021	FAX: 303-757-9868	Division of Project Support
CAD Ver.: MicroStation V8	Scale: Not to Scale	Units: English		2829 West Howard Place	CDOT HO, 3rd Floor	Denver, CO 80204	Phone: 303-757-9021	FAX: 303-757-9868	Division of Project Support



Computer File Information		Sheet Revisions		Colorado Department of Transportation		MANHOLES		STANDARD PLAN NO.	
Creation Date: 07/31/19	Initials: JBK	Date:	Comments:	2829 West Howard Place	CDOT HO, 3rd Floor	Denver, CO 80204	Phone: 303-757-9021	FAX: 303-757-9868	Project Development Branch
Last Modification Date: 07/31/19	Initials: LTA			2829 West Howard Place	CDOT HO, 3rd Floor	Denver, CO 80204	Phone: 303-757-9021	FAX: 303-757-9868	Project Development Branch
Designer Initials: JBK				2829 West Howard Place	CDOT HO, 3rd Floor	Denver, CO 80204	Phone: 303-757-9021	FAX: 303-757-9868	Project Development Branch
Detailed Initials: LTA				2829 West Howard Place	CDOT HO, 3rd Floor	Denver, CO 80204	Phone: 303-757-9021	FAX: 303-757-9868	Project Development Branch
CAD Ver.: MicroStation V8	Scale: Not to Scale	Units: English		2829 West Howard Place	CDOT HO, 3rd Floor	Denver, CO 80204	Phone: 303-757-9021	FAX: 303-757-9868	Project Development Branch



Computer File Information		Sheet Revisions		Colorado Department of Transportation		MANHOLES		STANDARD PLAN NO.	
Creation Date: 07/31/19	Initials: JBK	Date:	Comments:	2829 West Howard Place	CDOT HO, 3rd Floor	Denver, CO 80204	Phone: 303-757-9021	FAX: 303-757-9868	Project Development Branch
Last Modification Date: 07/31/19	Initials: LTA			2829 West Howard Place	CDOT HO, 3rd Floor	Denver, CO 80204	Phone: 303-757-9021	FAX: 303-757-9868	Project Development Branch
Designer Initials: JBK				2829 West Howard Place	CDOT HO, 3rd Floor	Denver, CO 80204	Phone: 303-757-9021	FAX: 303-757-9868	Project Development Branch
Detailed Initials: LTA				2829 West Howard Place	CDOT HO, 3rd Floor	Denver, CO 80204	Phone: 303-757-9021	FAX: 303-757-9868	Project Development Branch
CAD Ver.: MicroStation V8	Scale: Not to Scale	Units: English		2829 West Howard Place	CDOT HO, 3rd Floor	Denver, CO 80204	Phone: 303-757-9021	FAX: 303-757-9868	Project Development Branch

UNTIL SUCH TIME AS THESE DRAWINGS ARE APPROVED BY THE APPROPRIATE ENGINEERING OFFICE, THE USER AGREES TO HOLD SR LAND, LLC HARMLESS FROM ANY LIABILITY ARISING OUT OF THE USE OF THESE DRAWINGS. THE USER'S USE OF THESE DRAWINGS IS LIMITED TO THE PROJECT AND SITE SPECIFICALLY IDENTIFIED HEREIN. ANY OTHER USE OF THESE DRAWINGS WITHOUT THE WRITTEN AUTHORIZATION OF SR LAND, LLC IS PROHIBITED.

PREPARED FOR:  
**SR LAND, LLC**  
 20 BOULDER CRESCENT  
 SUITE 201  
 COLORADO SPRINGS, CO 80903  
**JAMES F. MORLEY**  
 (719) 471-1742

**J.R. ENGINEERING**  
 A Westcon Company  
 Centennial 303-740-0080 • Colorado Springs 719-588-2583  
 Fort Collins 970-491-9888 • www.jrengineering.com

STERLING RANCH FILING NO. 2  
 DETAILS

BY DATE

No.	REVISION	N/A	N/A	08/18/21	RAB	KRW

H-SCALE  
 V-SCALE

DESIGNED BY  
 DRAWN BY  
 CHECKED BY

SHEET 25 OF 26

JOB NO. 25188.01

EPC 11/17/2021



