

1356 ELEVATION
 AVERAGE FINISH GRADE = (AFG)
 $AFG = \frac{59.3 + 59.1(3) + 59.0(2)}{6} = 59.1$
 BUILDING HEIGHT = 22.6 + (TF - AFG) =
 BUILDING HEIGHT = 22.6 + (59.8 - 59.1) = 23.3

Released for Permit
 05/29/2026 7:38:55 AM
 REGIONAL Building Department
 matthewa CONSTRUCTION

Released for Permit
 05/28/2026 4:06 PM
 REGIONAL Building Department
 Becky A ENUMERATION



SFD26483
 PLAT: 15140
 ZONE: PUD

APPROVED
 Plan Review

06/01/2026 9:37:07 AM
 dschambers

EPC Planning & Community
 Development Department



ANY APPROVAL GIVEN BY
 EL PASO COUNTY
 DOES NOT OBTAIN THE NEED
 TO COMPLY WITH APPLICABLE
 FEDERAL, STATE, OR LOCAL
 LAWS AND/OR REGULATION

Planning & Community Development Department
 approval is contingent upon compliance with all
 applicable notes on the recorded plat.

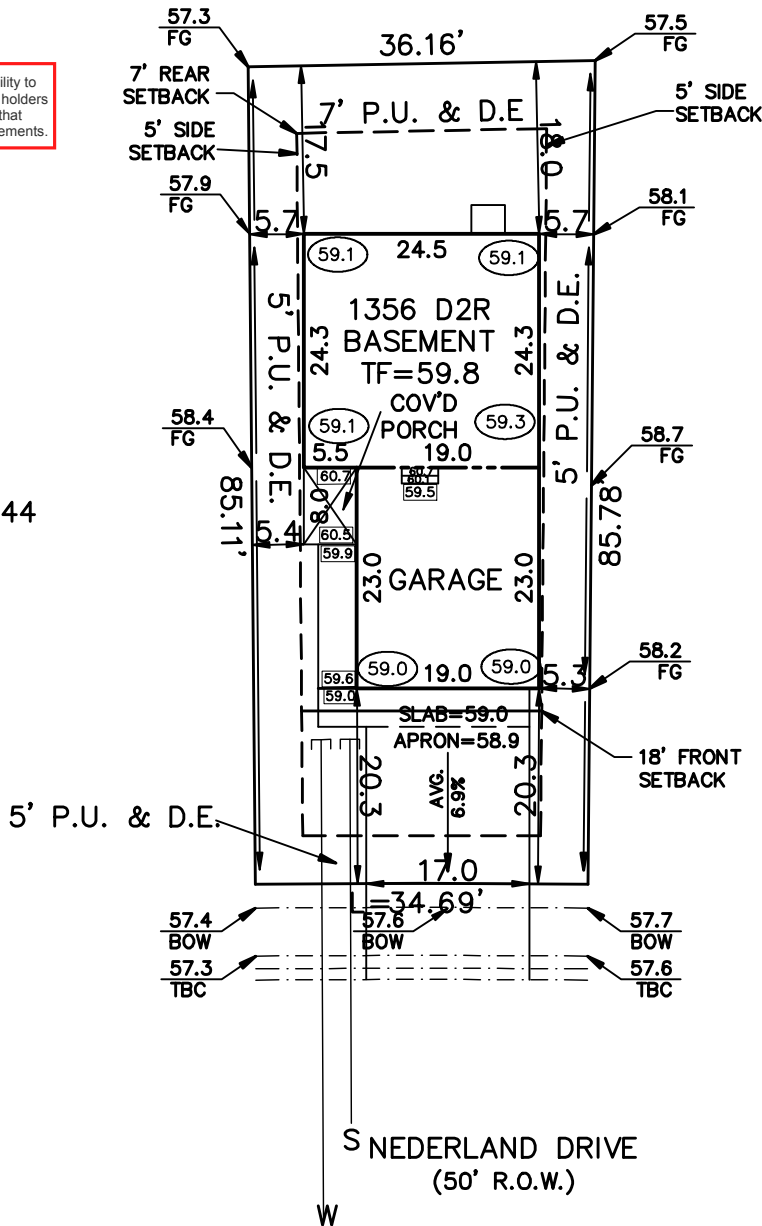
An access permit must be granted by the
 Planning & Community Development Department
 prior to the establishment of any driveway onto a
 County road.

Diversion of blockage of any drainage way
 is not permitted without approval of the
 Planning & Community Development Department



It is the owner's responsibility to
 coordinate with easement holders
 to avoid impact to utilities that
 may be located in the easements.

LOT 144



LOT 146

SCHEDULE No. 4220407024

WARNING!

1. LOCATE UNDERGROUND
 UTILITIES PRIOR TO EXCAVATION.
 2. THIS PLOT PLAN SHOWS
 IMPROVEMENTS AT GRADE ONLY.
 SEE FOUNDATION PLANS FOR
 STRUCTURAL INFORMATION.

SITE DATA

LOT SQ. FT. = 3025
 HOUSE SQ. FT. = 1077
 COVERAGE = 35.6%
 BLDG. HEIGHT = 23.3

PLOT PLAN

LEGAL DESCRIPTION

LOT 145
 The Sanctuary Filing No. 1 at Meridian Ranch
 EL PASO COUNTY, COLORADO

ADDRESS

13565 NEDERLAND DRIVE

ASPEN LAND CONSULTANTS, LLC
 11670 SILVER CHARM WAY
 COLORADO SPRINGS, COLORADO 80921

SCALE: ...1"=20'
 DRAWN BY: TAP

TITLE CO. FILE NO.

DATE

05-27-26

DRAWING NAME

PROJECT NO.

S1MR-145


SITE



2023 PPRBC
2021 IECC Amended

Address: 13565 NEDERLAND DR, PEYTON

Parcel: 4220407024

Plan Track #: 213673 

Received: 28-May-2026 (BECKYA)

Description:

RESIDENCE

Type of Unit:

Garage	654	
Lower Level 2	533	
Main Level	596	
Upper Level 1	760	
	2543	Total Square Feet

Required PPRBD Departments (3)

Enumeration

APPROVED

BECKYA

5/28/2026 2:40:32 PM

Floodplain

(N/A) RBD GIS

Construction
Released for Permit

05/29/2026 7:39:02 AM



matthewa

CONSTRUCTION


Required Outside Departments (1)

County Zoning

APPROVED

Plan Review

06/01/2026 9:37:30 AM



dsdchambers

**EPC Planning & Community
Development Department**

Release of this plan does not preclude compliance with all applicable codes, ordinances and other pertinent regulations. This plan set must be present on the job site for every inspection.



2880 International Circle, Suite 110
 Colorado Springs, CO 80910
 Phone: 719-520-6300
 Email: Stormwater@elpasoco.com
publicworks.elpasoco.com/stormwater/

EPC STORMWATER APPROVAL:

APPROVED

05/27/2026 2:27:32 PM

Erica Rylander

EPC Department of Public Works

EL PASO COUNTY
STORMWATER PERMIT FORM
Associate Erosion and Stormwater Quality Control Permit (AESQCP)

Stormwater Permit Number: ASQ 268

This form initially acts as the permit application. Only once this form has been signed & approved, all other required documents have been submitted & approved, and the Notice to Proceed has been issued, does this form become an active permit. The AESQCP is for single-family residential home construction within a Larger Common Plan of Development (see ECM Appendix I.3).

Part I. Home Builder/Operator (Permit Holder)	
Company	DRB Group Colorado, LLC
Name of Responsible Individual	Nate Talocco
Title	Division President
Physical Address (not PO Box)	
Street Number and Street Name	8310 South Valley Highway, Suite 250
City, State, Zip Code	Englewood, CO 80112
Mailing Address (if differs from above)	
Street Number and Street Name	
City, State, Zip Code	
Phone Number - Office	
Phone Number - Cell	720-987-9742
Email Address	ntalocco@drbgroup.com

Part II. Property Owner
<i>Check the box next to the applicable Property Owner statement.</i>
<input checked="" type="checkbox"/> The Property Owner is the same entity as listed in Part I. Home Builder/Operator <input type="checkbox"/> The Property Owner is a different entity than listed in Part I. Home Builder/Operator <i>If the Home Builder/Operator is not the Property Owner of one or more lots, please provide the Property Owner's information in Table 1 on Page 5 of this application.</i>

Part III. Qualified Stormwater Manager (QSM)*	
Company/Organization	DRB Group Colorado, LLC
Name	Nate Talocco
Phone Number - Office	
Phone Number - Cell	720-987-9742
Email Address	ntalocco@drbgroup.com

*This section can be left blank through Stormwater Permit Application review but must be filled in no later than at the Pre-Construction Meeting.



2880 International Circle, Suite 110
 Colorado Springs, CO 80910
 Phone: 719-520-6300
 Email: Stormwater@elpasoco.com
publicworks.elpasoco.com/stormwater/

EL PASO COUNTY
STORMWATER PERMIT FORM
Associate Erosion and Stormwater Quality Control Permit (AESQCP)

Stormwater Permit Number: ASQ 268

Part IV. Project Information	
Subdivision Name and Filing Number	Sanctuary at Meridian Ranch
Street Address and Lot Number*	Lots South of Rex Rd and Shelter Creek Drive Lots: 1-7, 28-31, 136-138, 140-147, 149-167, 335-343
Schedule <i>input estimated month (or season) and year</i>	Start of Construction: 07/02/2025 Completion of Construction: 07/02/2029

*Following issuance of this AESQCP, additional lots purchased by the Permit Holder, within the Subdivision and Filing identified above, may be added to this AESQCP by submitting an AESQCP Modification Request Form.



2880 International Circle, Suite 110
Colorado Springs, CO 80910
Phone: 719-520-6300
Email: Stormwater@elpasoco.com
publicworks.elpasoco.com/stormwater/

EL PASO COUNTY
STORMWATER PERMIT FORM
Associate Erosion and Stormwater Quality Control Permit (AESQCP)

Stormwater Permit Number: ASQ 268

REQUIRED SUBMISSIONS

See ECM Appendix I for the documentation required to be submitted, reviewed, and approved in conjunction with this Stormwater Permit Form.

RESPONSIBILITY FOR DAMAGE

The County and its officers and employees, including but not limited to the ECM Administrator, shall not be answerable or accountable in any manner for damage to property or for injury to or death of any person, including but not limited to the Permit Holder, persons employed by the Permit Holder, or persons acting on behalf of the Permit Holder, from any cause. The Permit Holder shall be responsible for any liability imposed by law and for damage to property or injuries to or death of any person, including but not limited to the Permit Holder, persons employed by the Permit Holder, and persons acting on behalf of the Permit Holder, arising out of work or other activity permitted and done under a permit, or arising out of the failure to perform the obligations under any permit with respect to maintenance or any other obligations, or resulting from defects or obstructions, or from any cause whatsoever during the progress of the work or other activity, or at any subsequent time work or other activity is being performed under the obligations provided by and contemplated by the permit.

The Permit Holder shall indemnify, save, and hold harmless the County and its officers and employees, including but not limited to the Board of County Commissioners (BoCC) and ECM Administrator, from all claims, suits or actions of every name, kind and description brought for or on account of damage to property or injuries to or death of any person, including but not limited to the Permit Holder, persons employed by the Permit Holder, persons acting in behalf of the Permit Holder and the public, resulting from the performance of work or other activity under the permit, or arising out of the failure to perform obligations under any permit with respect to maintenance or any other obligations, or resulting from defects or obstructions, or from any cause whatsoever during the progress of the work or other activity, or at any subsequent time work or other activity is being performed under the obligations provided by and contemplated by the permit, except as otherwise provided by state law. The Permit Holder waives any and all rights to any type of expressed or implied indemnity against the County, its officers or employees. It is the intent of the parties that the Permit Holder will indemnify, save, and hold harmless the County, its officers and employees from any and all claims, suits or actions as set forth above regardless of the existence or degree of fault of or negligence, whether active or passive, primary or secondary, on the part of the County, the Permit Holder, persons employed by the Permit Holder, or persons acting in behalf of the Permit Holder.



2880 International Circle, Suite 110
Colorado Springs, CO 80910
Phone: 719-520-6300
Email: Stormwater@elpasoco.com
publicworks.elpasoco.com/stormwater/

EL PASO COUNTY
STORMWATER PERMIT FORM

Associate Erosion and Stormwater Quality Control Permit (AESQCP)

Stormwater Permit Number: ASQ 268

APPLICATION AND PERMIT CERTIFICATION – PERMIT HOLDER

We, as the Permit Holder, hereby certify that this application is correct and complete as per the requirements presented in the El Paso County Engineering Criteria Manual (ECM) and Drainage Criteria Manual (DCM) Volume 2. We, as the Permit Holder, have read and will comply with all of the requirements of the submitted Stormwater Management Plan (SWMP), Grading & Erosion Control (GEC) Plan, and any other documents specifying construction control measures to be used on the site, including permit conditions that may be required by the ECM Administrator. We understand that the approved plans are an enforceable part of the Stormwater Permit. We further understand that we are to comply with all requirements set forth by the ECM and DCM Volume 2. We understand that the permitted area is that which is shown as the Limits of Disturbance on the approved GEC Plans and any subsequently approved AESQCP Modification Request Form. We further understand all necessary construction control measures are to be installed in accordance with the SWMP, GEC Plan, ECM, and DCM Volume 2 before land disturbance begins and that failure to comply will result in a Stop Work Order and may result in other penalties as allowed by law. We understand that the construction control measures are to be maintained on the site and be modified as necessary to protect stormwater quality as the project progresses. We understand that, prior to the sale or transfer of control of the lot to a private homeowner, we are responsible for installing adequate construction control measures and informing the private homeowner of their responsibility to maintain the construction control measures until Final Stabilization is achieved, in accordance with ECM Section I.4.7 and ECM Section I.4.8. We further understand and agree to indemnify, save, and hold harmless the County and its officers and employees, including but not limited to the BoCC and ECM Administrator, from all claims, suits or actions of every name, kind and description as outlined in Responsibility for Damage section above.

Signed by:

Nate Talocco

FE3E9C4952DE45F...
Signature of Home Builder/Operator (Permit Holder)

5/27/2026

Date

Nate Talocco

Print Name of Home Builder/Operator (Permit Holder)



2880 International Circle, Suite 110
Colorado Springs, CO 80910
Phone: 719-520-6300
Email: Stormwater@elpasoco.com
publicworks.elpasoco.com/stormwater/

EL PASO COUNTY
STORMWATER PERMIT FORM
Associate Erosion and Stormwater Quality Control Permit (AESQCP)

Stormwater Permit Number: ASQ 268

For all lots to be covered by the AESQCP that are not owned by the Home Builder/Operator, provide the Property Owner's information in Table 1 below.

Table 1. Property Owner Information

Lot Number	Property Owner Name	Current Mailing Address	Phone Number	Email Address