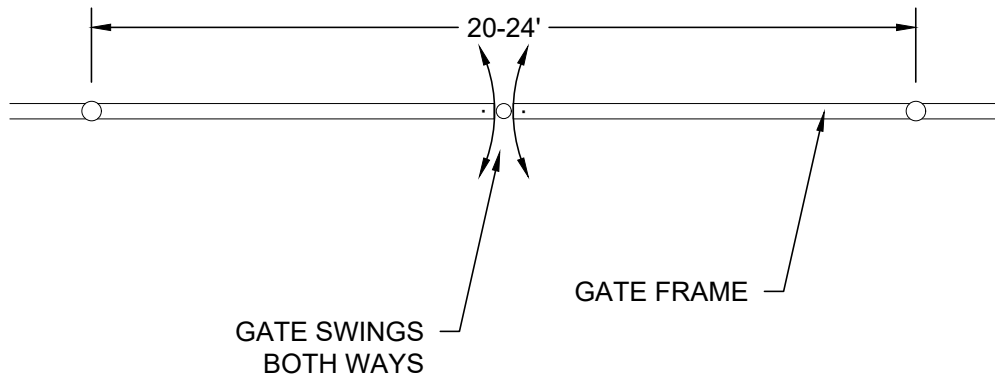
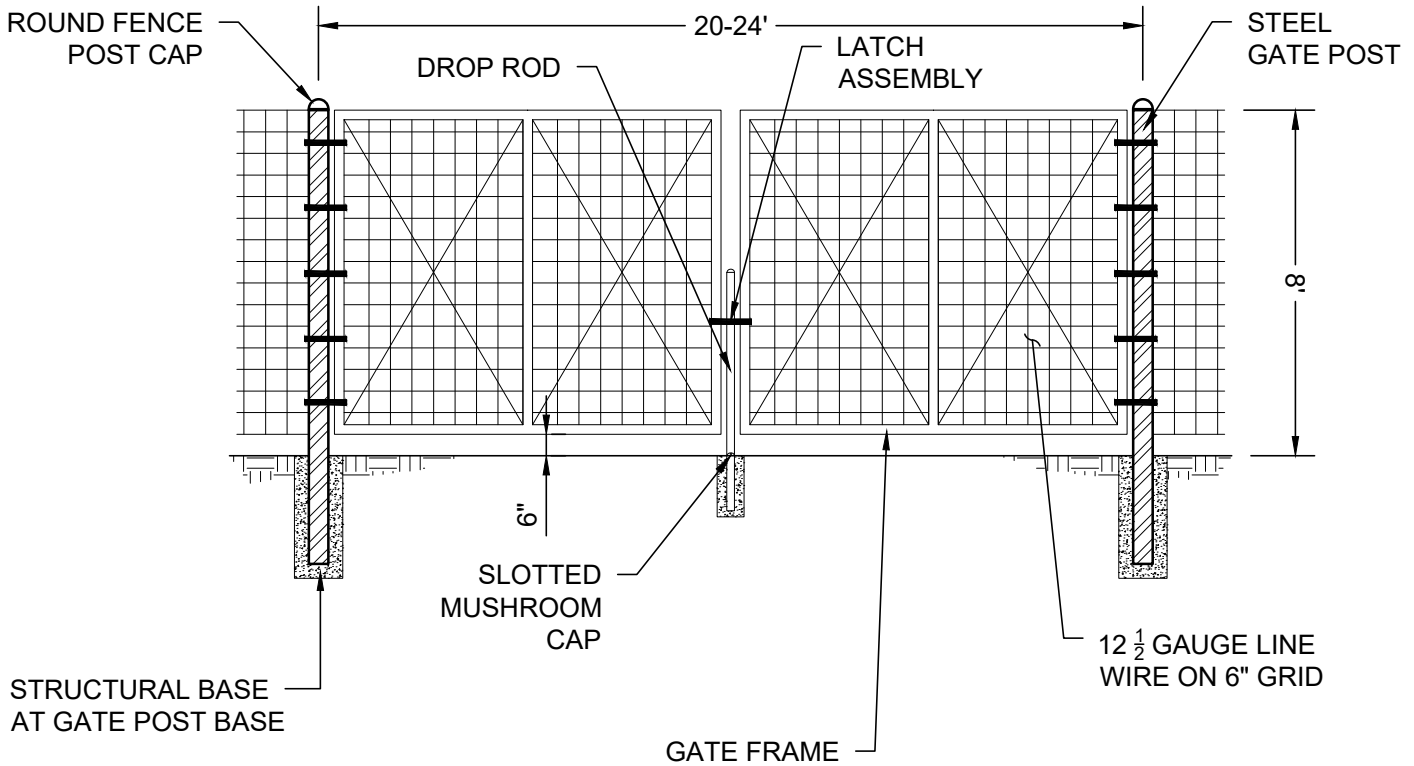


NOTES:

1. FENCE SHALL BE INSTALLED PER MANUFACTURE RECOMMENDATIONS.
2. STRUCTURAL DESIGN TO BE PROVIDED BY FENCE SUPPLIER.
3. DETAILS SHOWN ARE TO CLARIFY REQUIREMENTS AND ARE NOT INTENDED TO LIMIT OTHER TYPES OF FENCE SECTIONS AND METHODS OF INSTALLATION THAT COMPLY WITH THE SPECIFICATIONS.
4. WIRE TIES OR WELDS, RAILS, POSTS, AND BRACES SHALL BE CONSTRUCTED ON THE SECURE SIDE OF THE FENCE ALIGNMENT. WIRE FABRIC SHALL BE PLACED ON THE SIDE OPPOSITE THE SECURE AREA.
5. SEE JUWI PLAN SET FOR GROUNDING DETAILS AND DESIGN.

WILDLIFE EXCLUSIONARY FENCE WITH STEEL POSTS



NOTES:

1. FENCE SHALL BE INSTALLED PER MANUFACTURE RECOMMENDATIONS.
2. STRUCTURAL DESIGN TO BE PROVIDED BY FENCE SUPPLIER.
3. DETAILS SHOWN ARE TO CLARIFY REQUIREMENTS AND ARE NOT INTENDED TO LIMIT OTHER TYPES OF FENCE SECTIONS AND METHODS OF INSTALLATION THAT COMPLY WITH THE SPECIFICATIONS.
4. WIRE TIES OR WELDS, RAILS, POSTS, AND BRACES SHALL BE CONSTRUCTED ON THE SECURE SIDE OF THE FENCE ALIGNMENT. WIRE FABRIC SHALL BE PLACED ON THE SIDE OPPOSITE THE SECURE AREA.
5. SEE JUWI PLAN SET FOR GROUNDING DETAILS AND DESIGN.

WILDLIFE EXCLUSIONARY GATE WITH STEEL POSTS

FENCE POSTS

- SET POSTS IN CDOT CLASS B CONCRETE OR APPROVED EQUAL.
- ALL STEEL POSTS SHALL BE ASTM A53 GRADE B, FY = 35 KSI, FU = 60 KSI
- POST BRACES TO MATCH POST TYPE AND SIZE.
- USE CORNER BRACE ON FENCE LINE DEVIATIONS GREATER THAN A 17 DEGREE ANGLE.
- END POST, CORNER POST AND LINE BRACE POST SHALL BE ASSEMBLED BY THE UNIT AND PAID FOR AS SUCH. ALL WORK AND MATERIAL ASSOCIATED WITH EACH ASSEMBLY, SHALL BE INCLUDED IN THE UNIT PRICE FOR THAT ASSEMBLY.
- LINE BRACE POSTS SHALL BE SPACED AT 400 FT. INTERVALS, WHERE FENCING IS CONTINUOUS AND WHERE END, CORNER & LINE BRACE POSTS ARE NOT SPECIFIED.
- POST DIMENSIONS TO BE DETERMINED BY FENCING SUPPLIER.

MESH FABRIC

- WOVEN WIRE FENCE FABRIC SHALL CONFORM TO AASHTO M 279 (ASTM A 116), DESIGN NO. 2096-6-12½, GRADE 60, COATING TYPE ZA, COATING CLASS 80.
- ALL FENCE WIRE TIES OR WELDS, BRACE WIRES, STAPLES AND OTHER WIRE APPURTENANCES SHALL BE GALVANIZED IN CONFORMANCE WITH AASHTO M 232.
- CONTINUOUS LINE WIRE SHALL BE HIGH TENSILE (175 K MIN.). CONTINUOUS STAY WIRE SHALL BE MID-TENSILE (125 K MIN.). FIXED KNOT 13 GAUGE WIRE (60K MIN.) SHALL CONNECT LINE WIRE WITH THE VERTICAL STAY WIRE.
- USE RAIL END CAPS WITH SET SCREWS, BOLTS, OR BUTT WELD METAL BRACES TO THE METAL POST. BEAR AT MINIMUM STRESS POINT.
- TERMINATE FENCE MESH AT EACH CORNER POST.

GATE

- FOR GATE FRAME USE STEEL PIPE, DIMENSIONS TO BE DETERMINED BY FENCE SUPPLIER.
- PROVIDE AT LEAST A 4 INCH GAP WHERE DOUBLE GATES ARE INSTALLED BETWEEN GATE FRAMES TO ALLOW FOR LATCH.
- ALL STEEL POSTS SHALL BE ASTM A53 GRADE B, FY = 35 KSI, FU = 60 KSI

WILDLIFE EXCLUSIONARY FENCE **SPECIFICATIONS**