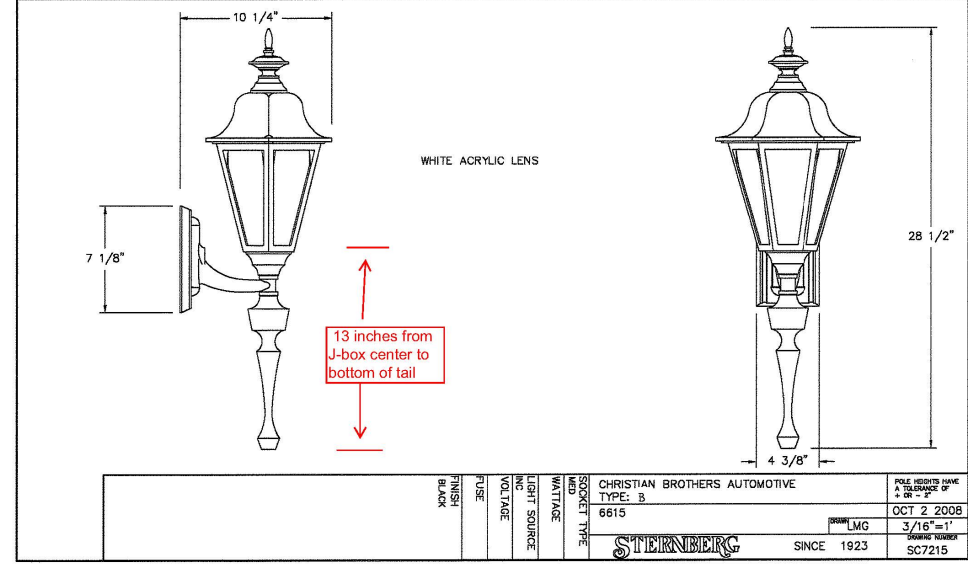
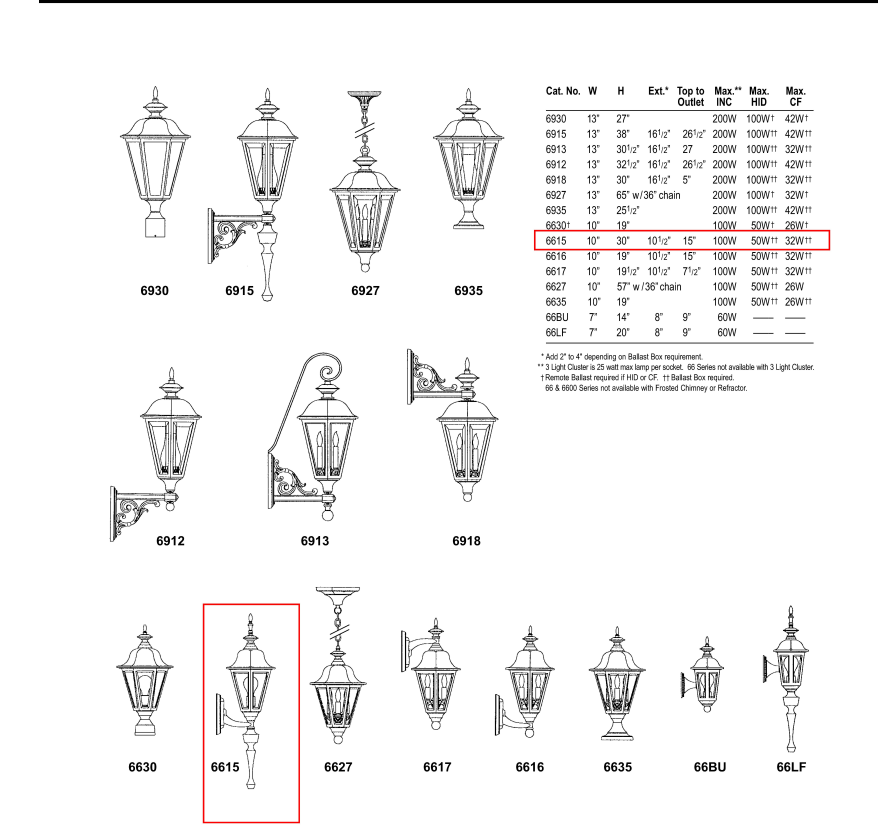


Symbol	Qty	Label	Arrangement	Total Lamp Lumens	LLF	Description
⊙	1	L	SINGLE	N.A.	0.810	LD8A401D010 ER8A40840 8LM1H
⊙	2	G	SINGLE	1600	0.810	23 watt Coach Light
⊙	9	F	SINGLE	N.A.	0.810	ISW-F02-LED-E1-BL4-BK

Label	CalcType	Units	Avg	Max	Min	Avg/Min	Max/Min
Site Lighting Planar	Illuminance	Fc	0.53	10.5	0.0	N.A.	N.A.

**STERNBERG** 6615BINCINAVBK Type G1  
Small Scale Commercial Fixtures

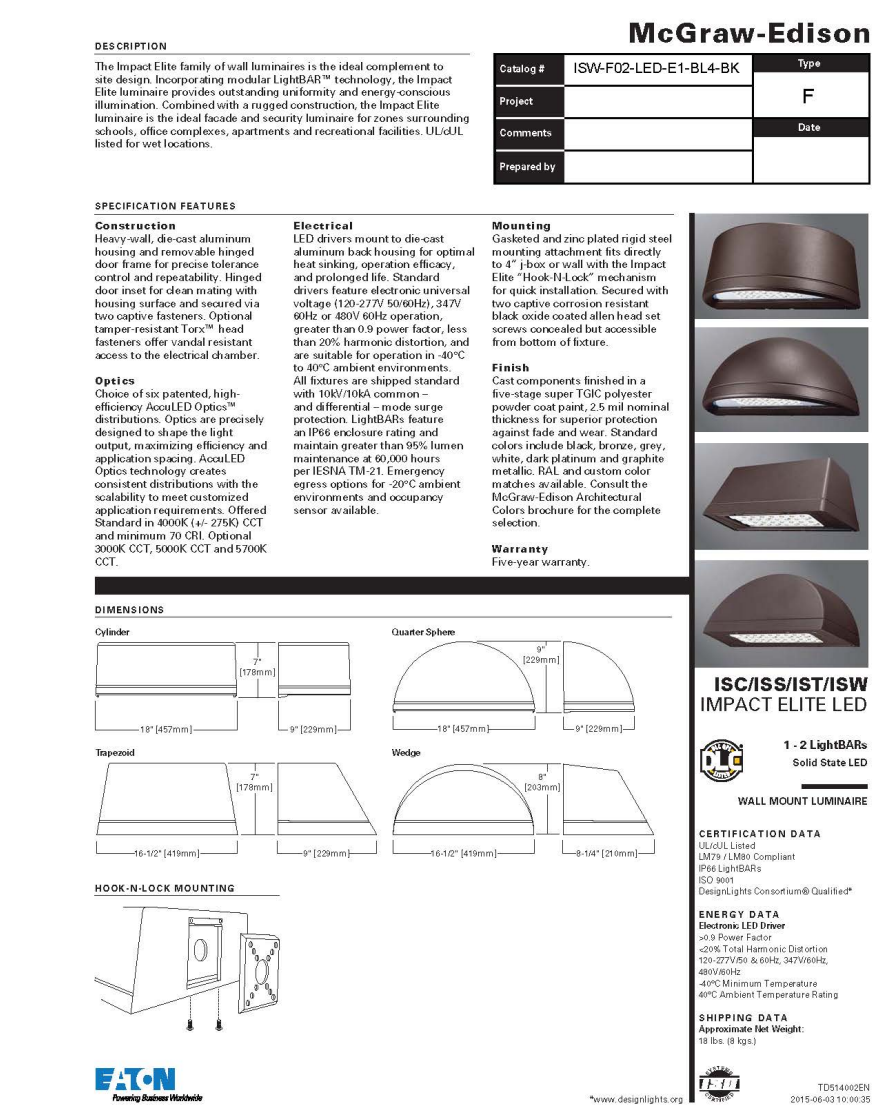


LOT 2  
WOODMEN HILLS FILING NO. 7H  
(Reception No. 205112159)

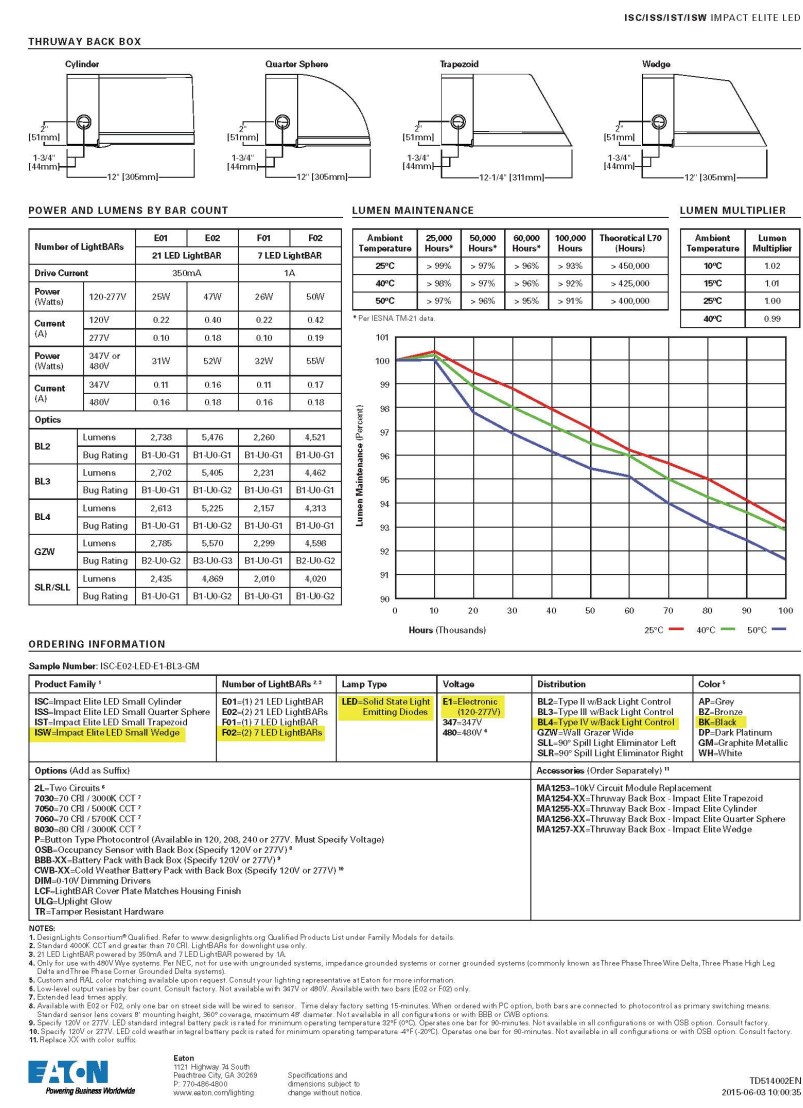
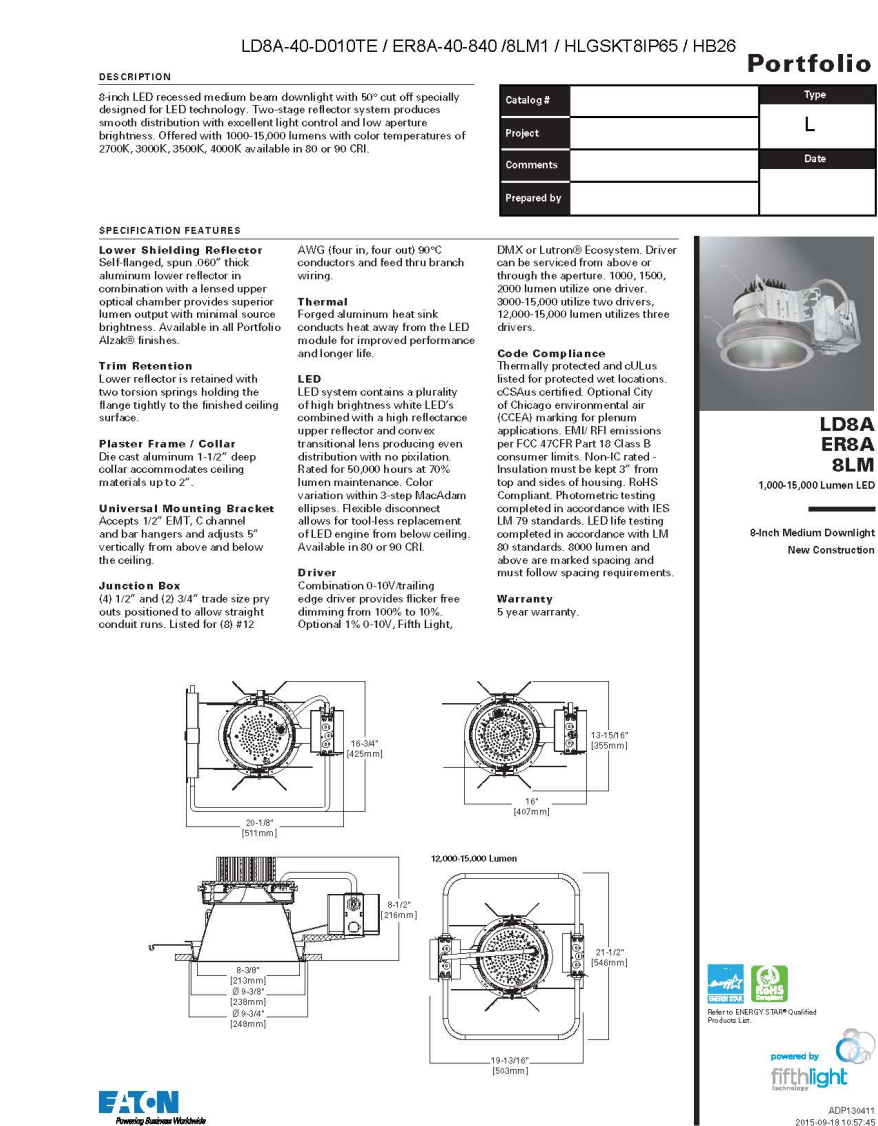
Owner: TAMLIN PROPERTIES LLC  
EPC APN 43072-10-005

**STERNBERG LIGHTING** 555 Lawrence Ave. Roswell, GA 30077-8475-3400 / Fax 847-580-3440  
www.sternberglighting.com Email: info@sternberglighting.com

**McGraw-Edison** ISW-F02-LED-E1-BL4-BK



**McGraw-Edison** ISW-F02-LED-E1-BL4-BK

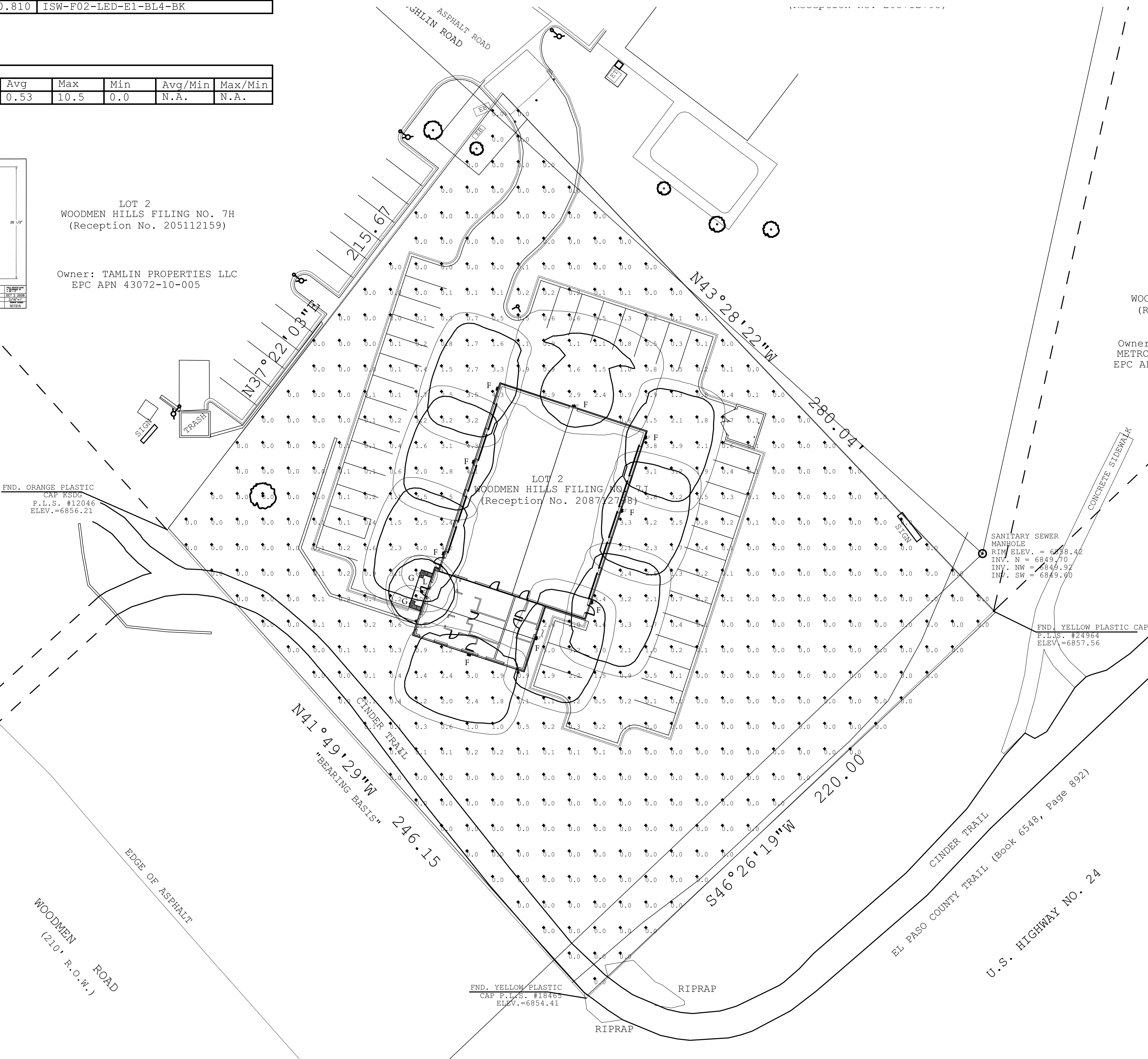


Model	Beam Angle	Beam Diameter	Beam Length	Beam Area	Beam Illuminance
ISW-F02-LED-E1-BL4-BK	30°	1.0m	1.73m	2.83m²	566 fc
ISW-F02-LED-E1-BL4-BK	45°	1.5m	2.25m	5.06m²	322 fc
ISW-F02-LED-E1-BL4-BK	60°	2.0m	2.83m	7.07m²	238 fc
ISW-F02-LED-E1-BL4-BK	75°	2.5m	3.54m	8.84m²	188 fc
ISW-F02-LED-E1-BL4-BK	90°	3.0m	4.24m	10.6m²	156 fc

FND. ORANGE PLASTIC  
CAP R5DG  
P.L.S. #12046  
ELEV.=6856.21

SANITARY SEWER  
MANHOLE  
RIM ELEV. = 6858.42  
INV. N = 6849.70  
INV. NW = 6849.92  
INV. SW = 6849.60

FND. YELLOW PLASTIC CAP  
P.L.S. #24964  
ELEV.=6857.56



**ICON Architects**  
6104 Fannin Drive  
Arlington, Texas 76001  
Phn: 817.665.0200  
Fax: 817.665.0202

**Christian Brothers Automotive**  
Lot 2, Woodmen Hills Filing No. 7J  
Highway 24 at E Woodmen Road  
Falcon, County of El Paso, CO

**Christian Brothers Automotive**  
17725 Katy Freeway, St. 200  
Houston, TX 77094

Date

Revisions

2/2/18 - Issued for Site Plan Review

Project No. 17-37

Drawn By:

Date: 2/2/18

Sheet Title:

SITE PHOTOMETRIC PLAN

Drawing No.

**A-4.1**

RH10N-10-2017

1 SITE PHOTOMETRIC PLAN  
SCALE: 1" = 20' - 0"