

- GENERAL NOTES**
- ALL DIMENSIONS ARE FROM STUD TO STUD U.N.O.
 - 104 INDICATES ROOM NUMBER.
 - DOOR NUMBER RE: DOOR SCHEDULE. HARDWARE SET. RE: HARDWARE SCHEDULE.
 - WINDOW TYPE. RE: 2/A-2 WINDOW SCHEDULE.
 - F.E. - INDICATES FIRE EXTINGUISHER. PROVIDE FIRE EXTINGUISHER (MINIMUM SIZE, 10-B, C AT 48" A.F.F.)
 - ALL INTERIOR WALL AND CEILING FINISH MATERIALS SHALL BE MINIMUM "CLASS A".
 - F.D. - INDICATES FLOOR DRAIN. PROVIDE FLOOR DRAINS AT TOILET ROOM 107. KEEP TOP OF DRAIN LEVEL WITH TOP OF FINISHED FLOOR.
 - PROVIDE TOILET ACCESSORIES (TA-1 - TA-6) FOR TOILET ROOMS 103 AND 107. RE: A-10 FOR INTERIOR ELEVATIONS ILLUSTRATING LOCATIONS. RE: GENERAL TOILET ROOM NOTES SHEET A-10.
 - PROVIDE SOUND ATTENUATION INSULATION AT PERIMETER WALLS OF OFFICE TOILET ROOM 103 AND TECH TOILET ROOM 107.

ROOM FINISHES SCHEDULE

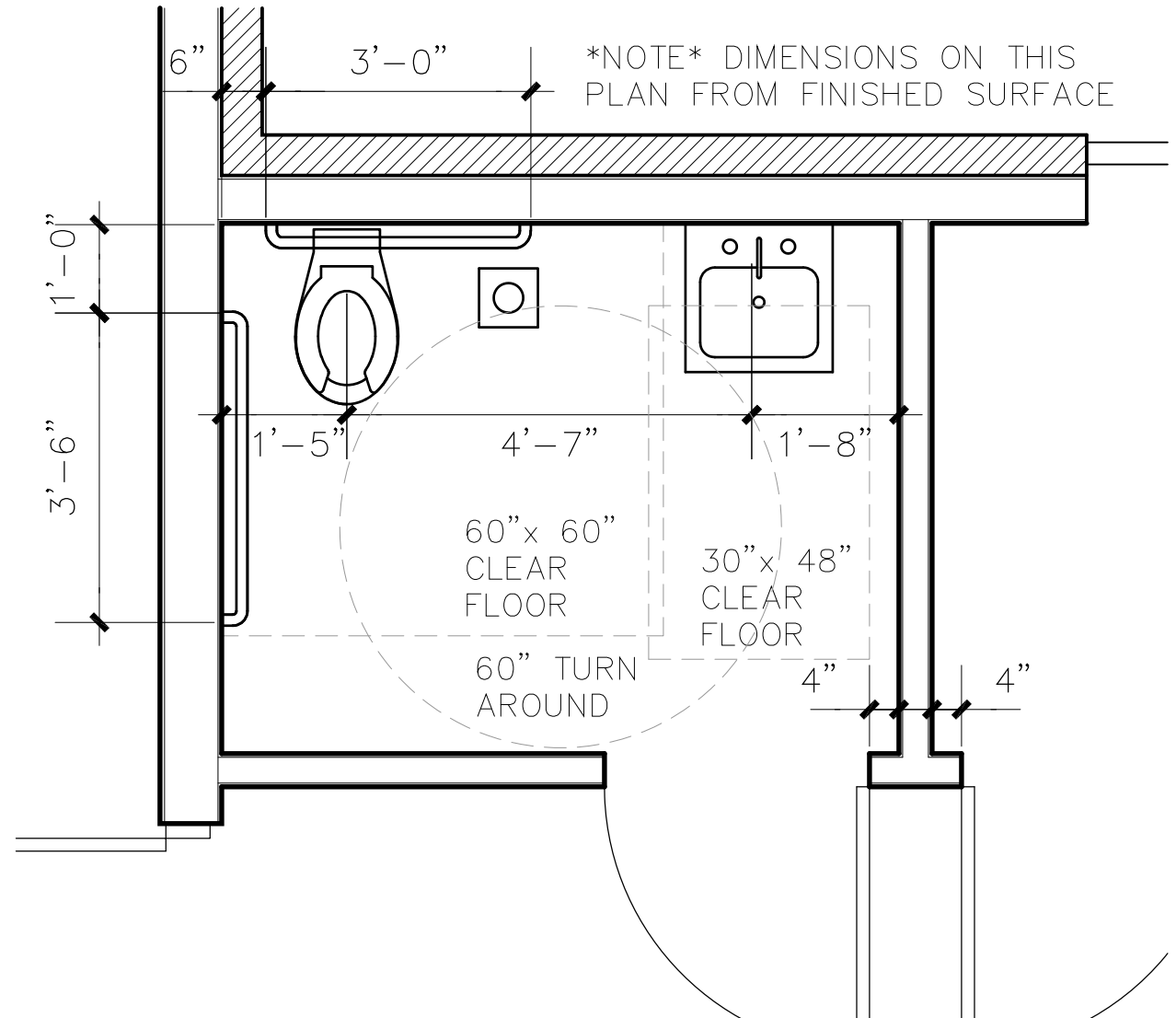
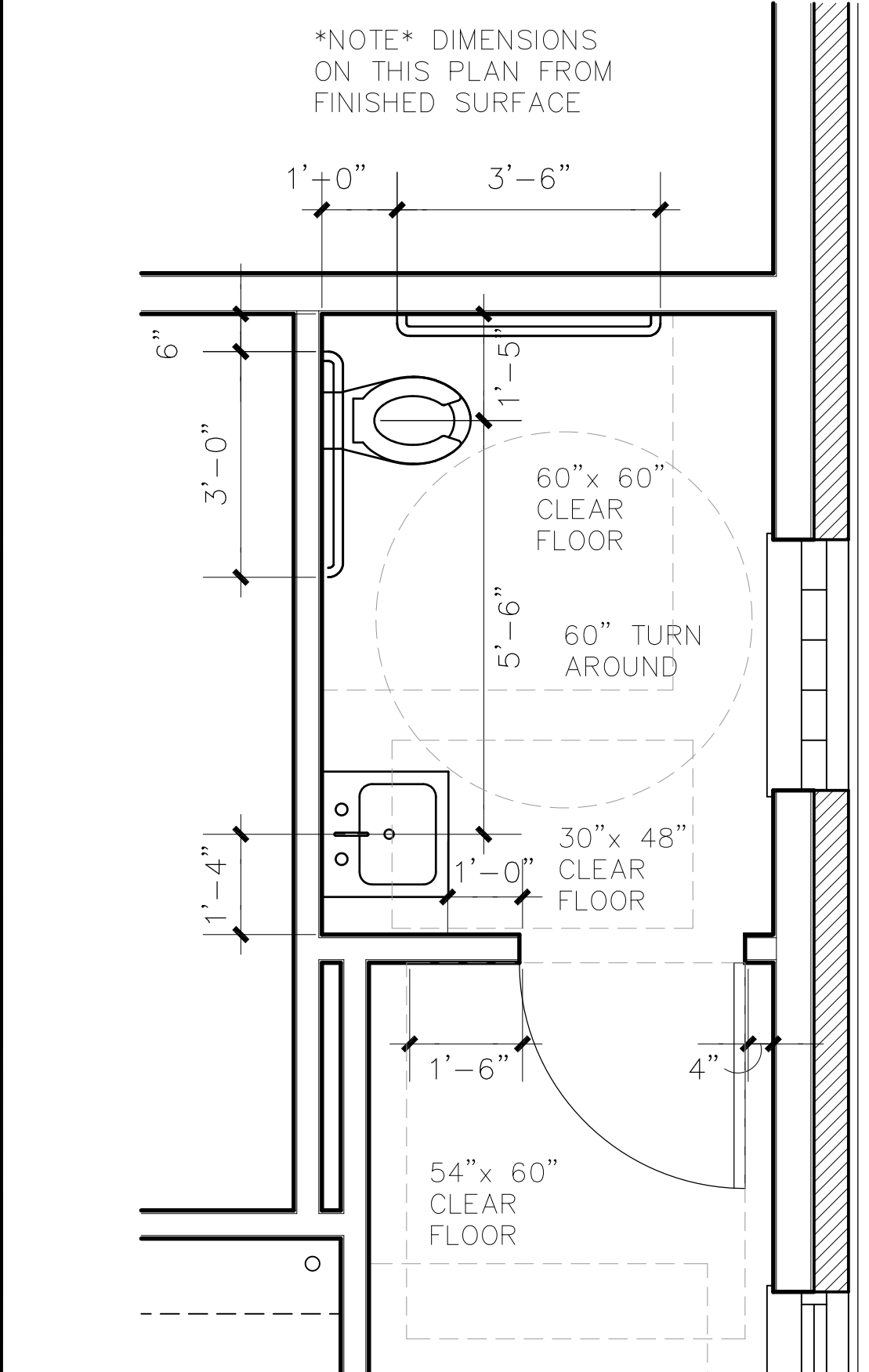
| RM. NO. | ROOM NAME | FLOOR | BASE | WALLS | CEILING | CLG HT. | REMARKS |
|---------|---------------------|--------------------------------------|---------------------------------|---|--|---------------|--|
| 100 | PORCH | REFER 5/A-1 | NONE | RE: EXTERIOR ELEVATIONS | WATER RESISTANT GYP. BD. W/ ORANGE PEEL TEXTURE PC-8 | VARIES | CEILING TO BE PAINTED WHITE ORANGE PEEL TEXTURE, PAINT, SEE 3/A-7 |
| 101 | RECEPTION / WAITING | VINYL FLOOR | WOOD BASE- PAINTED PC-3 | GYP. BD.- PAINTED PC-1 & PC-3 | GYP. BD.- PAINTED PC-8 | 9'-0" A.F.F. | WAINSCOT AND CROWN MOLDING- PAINTED PC-3. RE: A-10 FOR ELEVATIONS |
| 102 | SERVICE | VINYL FLOOR | VINYL BASE- | GYP. BD.- PAINTED PC-2 | GYP. BD.- PAINTED PC-8 | 9'-0" A.F.F. | PROFESSIONALLY BURNISH, WAX AND POLISH FLOOR |
| 103 | RECEPT. TOILET ROOM | VINYL FLOOR | CERAMIC COVE BASE AND WALL TILE | WATER RESISTANT GYP. BD. PAINTED PC-2 ABOVE 4'-0" A.F.F. CERAMIC WALL TILE M-3 - BELOW 4'-0" A.F.F. | WATER RESISTANT GYP. BD. PAINTED PC-8 | 9'-0" A.F.F. | RE: A-10 FOR ELEVATIONS |
| 104 | MANAGER | VINYL FLOOR | WOOD BASE- PAINTED PC-3 | GYP. BD.- PAINTED PC-3 | GYP. BD.- PAINTED PC-8 | 9'-0" A.F.F. | WAINSCOT AND CROWN MOLDING- PAINTED PC-3. RE: A-10 FOR ELEVATIONS |
| 105 | LUNCH / WORK ROOM | VINYL FLOOR | VINYL BASE- | GYP. BD.- PAINTED PC-2 | GYP. BD.- PAINTED PC-8 | 9'-0" A.F.F. | WAX AND POLISH FLOOR. WATER RESISTANT GYP. BD. ON WALL BEHIND SNK COUNTER TOP. |
| 106 | RESEARCH | VINYL FLOOR | VINYL BASE- | GYP. BD.- PAINTED PC-2 | GYP. BD.- PAINTED PC-8 | 9'-0" A.F.F. | WAX AND POLISH FLOOR |
| 107 | TECH TOILET | INTEGRAL COLORED CONCRETE FOUNDATION | VINYL BASE- | WATER RESISTANT GYP. BD. W/WHITE FRP PANELS TO 2'-0" A.F.F. PAINT PC-2 | WATER RESISTANT GYP. BD. PAINTED PC-8 | 9'-0" A.F.F. | |
| 108 | TECHNICIAN AREA | INTEGRAL COLORED CONCRETE FOUNDATION | VINYL BASE- | GYP. BD./POLYWOOD - PAINTED GREEN PC-12 BELOW 7'-0" WHITE PC-12 ABOVE 7'-0" | GYP. BD.- PAINTED PC-8 | 14'-0" A.F.F. | |
| 109 | COMPRESSOR ROOM | INTEGRAL COLORED CONCRETE FOUNDATION | VINYL BASE- | GYP. BD.- PAINTED PC-2 | GYP. BD.- PAINTED PC-8 | 9'-0" A.F.F. | |
| 110 | STORAGE | INTEGRAL COLORED CONCRETE FOUNDATION | VINYL BASE- | GYP. BD.- PAINTED PC-2 | GYP. BD.- PAINTED PC-8 | 9'-0" A.F.F. | |

PAINT AND MATERIALS

| MARK | AREA OR ELEMENT TO BE PAINTED | SHEEN COLOR | BENJAMIN MOORE | SHERWIN WILLIAMS | OTHER | REMARKS |
|-------|---|--------------------------------------|----------------------|---------------------|---|--|
| PC-1 | INTERIOR WALL ENTRY / DROP OFF 101 | FLAT | STONE HEARTH 984 | | | |
| PC-2 | OFFICE INTERIOR WALLS - TOILETS 103 & 107, LUNCH 105, SERVICE 102, MANAGER 104, COMP. ROOM 109, STORAGE 110 | SEMI-GLOSS | STONE HEARTH 984 | | | |
| PC-3 | WAINSCOT AND ALL TRIM MOLDINGS | SEMI-GLOSS | SAILCLOTH | | EXTERIOR READY MIX COLOR | TAPE AND FLOAT GYP. BD. SAND SMOOTH, THEN PAINT TO GIVE THE APPEARANCE OF WOOD PANELING. |
| PC-4 | EXTERIOR ORANGE PEEL FINISH STUCCO/PORCH | FLAT | WHITE | | | |
| PC-5 | EXTERIOR FASCIA, EIFS KEYWAYS GUTTERS, SOFFIT | SEMI-GLOSS | LACEY PEARL 2108-2A1 | MARSHMALLOW SW 7006 | CHINA WHITE "DRIVIT" # 310 SAND PEBBLE FINE | PRE-FINISHED/FACTORY FINISHED |
| PC-6 | BAY DOORS & MASONRY PERPENDICULAR TO DOORS. EXTERIOR DOORS AND H.M. FRAMES. | SEMI-GLOSS BLACK | BLACK | BLACK | | WORKROOM-TO-TECHNICIAN AREA DOOR. USE FACTORY PRE-MIX BLACK. |
| PC-7 | TECH AREA 108 WALL BELOW 7'-0" A.F.F. | HIGH-GLOSS | CHROME GREEN | HUNT CLUB SW 6468 | | |
| PC-8 | ALL SOFFITS/CEILING & INTERIOR OFFICES - FLAT TECH AREA CEILING - SEMI-GLOSS (WHITE) | RE: REMARKS | SUPER WHITE | EXTRA WHITE SW 6468 | | SEMI-GLOSS AT TECH AREA 108 ONLY. ALL OTHER AREAS ARE TO BE FLAT SHEEN |
| PC-9 | TECHNICIAN AREA 108 FLOOR | INTEGRAL COLORED CONCRETE FOUNDATION | | | | |
| PC-10 | (NOT USED) | | | | | |
| PC-11 | (NOT USED) | | | | | |
| PC-12 | TECH AREA 108 WALL ABOVE 7'-0" A.F.F. | SEMI-GLOSS | SUPER WHITE | EXTRA WHITE SW 7006 | | |
| PC-13 | SHOP CEILING DOWNSPOUT | SEMI-GLOSS | | | | ALL DOWNSPOUTS ARE TO MATCH THE COLOR BEHIND THE DOWNSPOUT IN SOME CASES ONE DOWNSPOUT MAY REQUIRE 3 DIFFERENT COLORS. |

PAINT AND MATERIALS SCHEDULE

| | | | | | | |
|------|--|--|--|--|---------------------------------------|--|
| M-1 | VINYL FLOOR | MANUFACTURER: CALI-VINYL STYLE: JAVA VINYL FLOORING SIZE: 7 x 48 PATTERN: RUNNING BOND | | | | |
| M-2 | VINYL BASE | 4" BASE, ROPPE-100 BLACK | | | | |
| M-3 | CERAMIC TILE BASE/WALL | "DAL-TILE" #K775. MATTE URBAN PUTTY 0761; 6x6 COVE BASE TILE; 6x6 FIELD TILE FOR WALLS TO 4'-6" A.F.F. WITH BULLNOSE FINISH FOR TOP ROW | | | ALL WALL GROUT IS TO BE ANTIQUE WHITE | |
| M-4 | PLASTIC LAMINATE ON CABINETS AND COUNTERTOPS | A - EXTERIOR UPPER CABINETS - WILSONART - SLATE GREY MATT FINISH D91-60 B - EXTERIOR LOWER CABINETS - WILSONART - GREY MATT FINISH 1500-60 C - OFFICE COUNTERTOPS - WILSONART - GREY MATT FINISH 1500-60 D - CUSTOMER COUNTERTOP - DUPONT CORIAN - ELEGANT GRAY E - FRONT FACE OF CUSTOMER COUNTER - WILSONART - DESIGNER WHITE D354K-01 | | | INTERIOR - WHITE MELAMINE | |
| M-5 | BRICK | ACME BRICK CO. 8" NOM. 2 1/4" MODULAR BRICK, COLOR: BURGUNDY MORTAR COLOR "WHITE" | | | | RUNNING BOND PATTERN, MASONRY CONTROL JOINTS AS SHOWN ON EXTERIOR ELEVATIONS |
| M-6 | ARCHITECTURAL COMPOSITION SHINGLES | CERTAINTED LANDMARK 30 AR COLOR: "HUNTER GREEN" | | | | GUARD & GRAFFITI CONTROL USE "DRYBLOCK" IN MORTAR MIX. INSTALL OVER PLYWOOD AND 15LB. FELT (PER MANUF. REC.) |
| M-7 | MARBLE TILE MEDALLION | DAL-TILE M741-12 EMPRESS GREEN (POLISHED) | | | | |
| M-8 | BRICK | ACME BRICK CO. 8" NOM. 2 1/4" MODULAR BRICK, COLOR: GLACIER WHITE MORTAR COLOR "WHITE" | | | | RUNNING BOND PATTERN, MASONRY CONTROL JOINTS AS SHOWN ON EXTERIOR ELEVATIONS |
| M-9 | NOT USED | | | | | |
| M-10 | LIMESTONE VENEER | MANUFACTURED THIN LIMESTONE VENEER ADHERED TO 4" CMU BLOCK BASE SUNSET STONE, STYLE: LIMESTONE, COLOR:ASH. MORTAR COLOR "WHITE" | | | | |
| M-11 | CAST STONE | PRE-CAST STONE WATERTABLE AND SILL, COLOR: WHITE, SEE A-5 FOR PROFILE | | | | |



5 PAINT AND MATERIALS SCHEDULE NO SCALE

NOTE: CONTACT DAL-TILE FOR PRICING: CHARLIE JUHL (713) 956-1900, Cell (218) 831-2952

NOTE: M-10 LIMESTONE VENEER INSTALL PER MANUFACTURER'S RECOMMENDATIONS AND PER 1405.9 OF THE IBC AND SECTIONS 6.1 AND 6.3 OF ACI 530/ASCE 5/TMS 402.