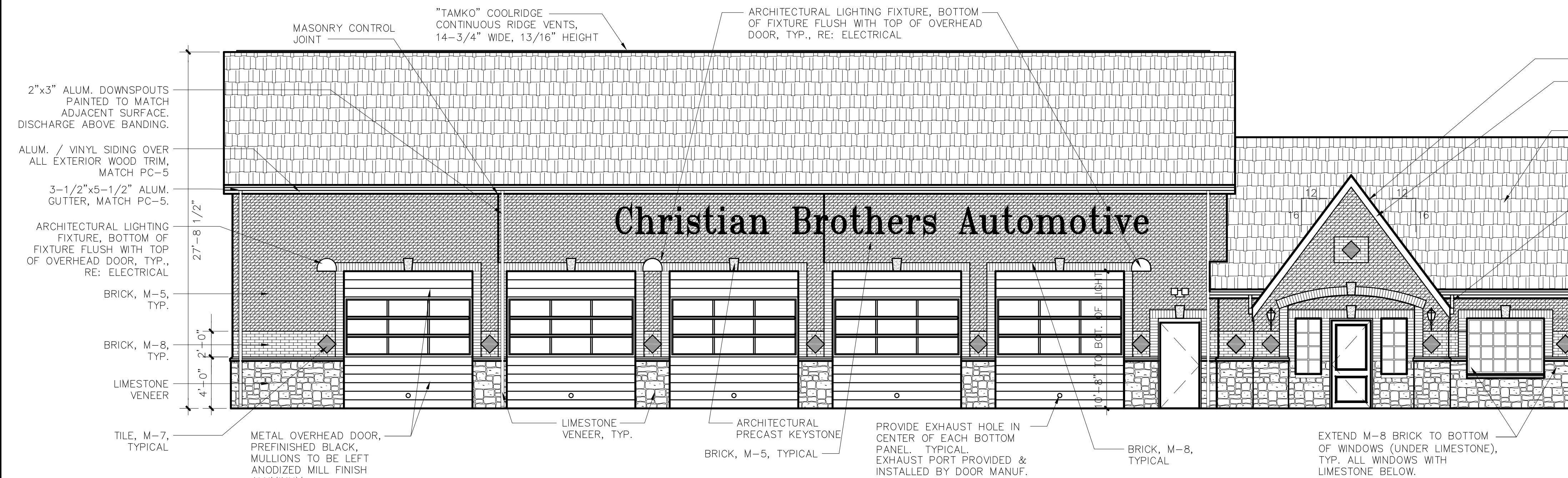


**NOTES:**  
- ALL SIGNAGE TO BE REVIEWED AND APPROVED SEPARATELY.  
- HVAC AIR HANDLER IS LOCATED IN ATTIC. CONDENSER UNIT IS GROUND MOUNTED AS SHOWN. ALL ROOF PENETRATIONS ARE PAINTED TO MATCH ROOF COLOR.



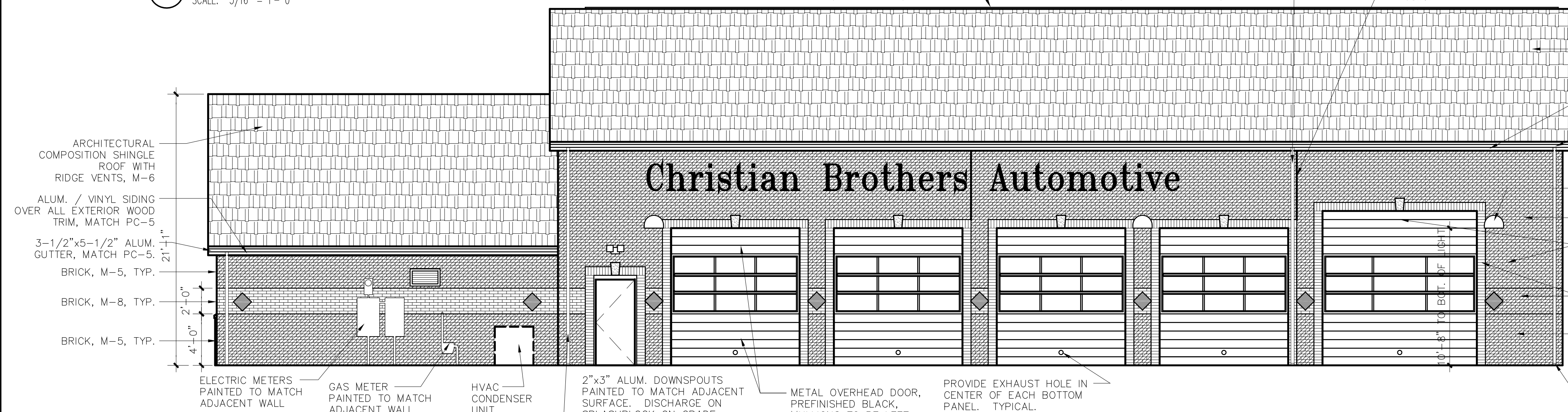
**5 FRONT ELEVATION**  
SCALE: 3/16" = 1'-0"

**MATERIAL LEGEND**

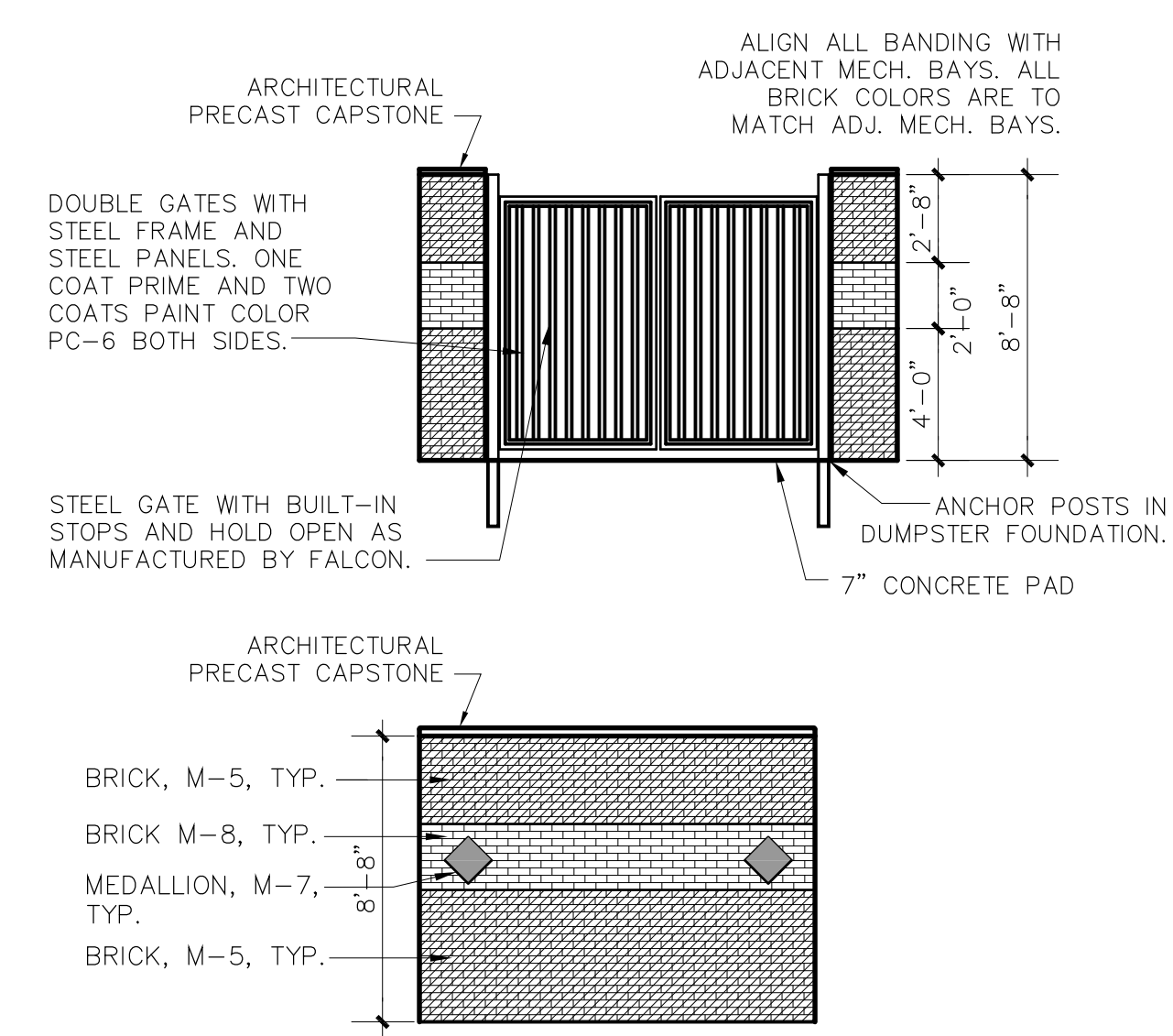
M-5	BRICK	ACME BRICK CO., 8" NOM. 2 1/4" MODULAR BRICK, COLOR: BURGANDY, MORTAR COLOR "WHITE"
M-6	COMPOSITION SHINGLE ROOF	CERTAINTED LANDMARK 30 AR, COLOR: "HUNTER GREEN"
M-7	MARBLE TILE MEDALLION	DAL-TILE M741-12 EMPRESS GREEN (POLISHED)
M-8	BRICK	ACME BRICK CO., 8" NOM. 2 1/4" MODULAR BRICK, COLOR: GLACIER WHITE, MORTAR COLOR "WHITE"
M-10	LIMESTONE VENEER	1 1/2" THIN LIMESTONE VENEER OVER 4" CMU BLOCK BASE, SUNSET STONE, LIMESTONE, ASH, MORTAR COLOR "WHITE"
M-11	CAST STONE	PRE-CAST STONE WATERTABLE AND SILL, COLOR: WHITE

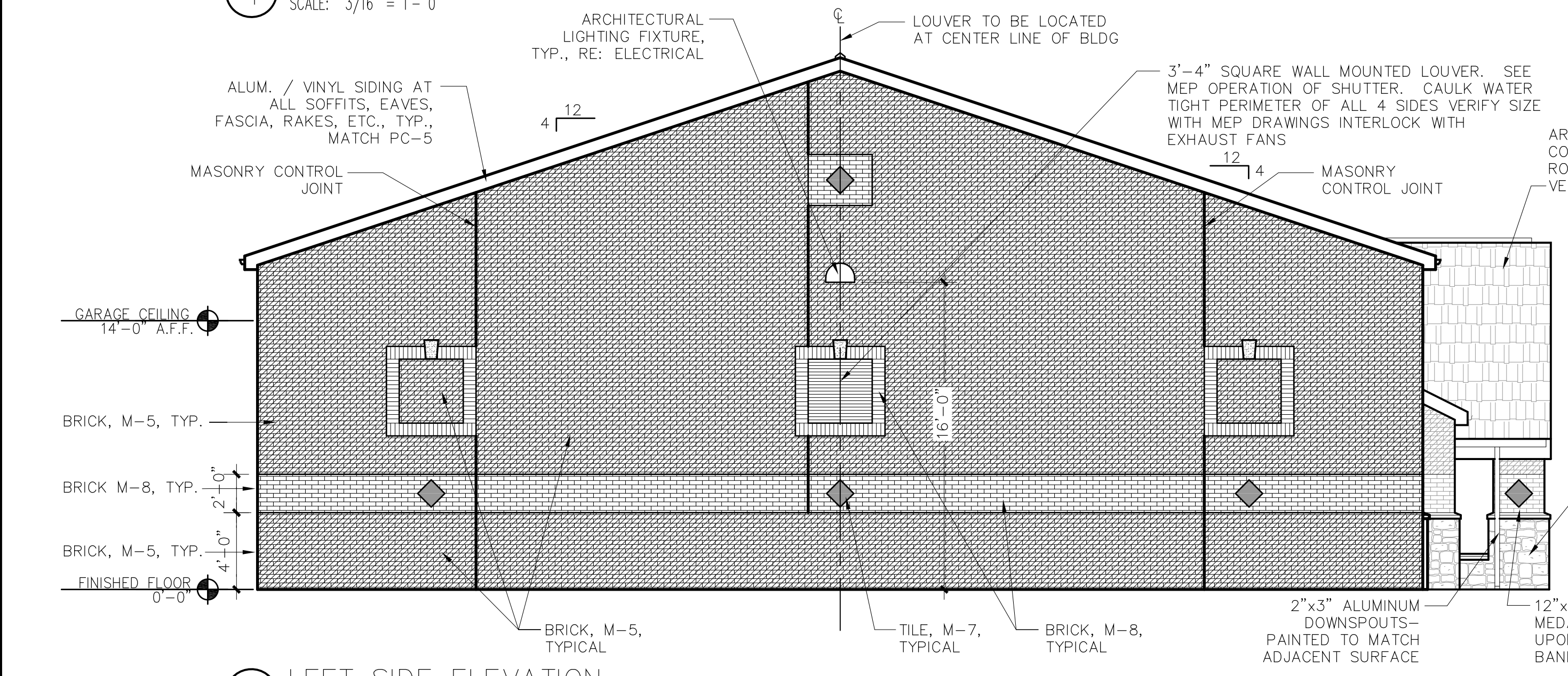
PC-5	PAINT	SEMI-GLOSS	SHERWIN WILLIAMS	MARSHMALLOW SW 7001
PC-6	PAINT	SEMI-GLOSS	SHERWIN WILLIAMS	BLACK



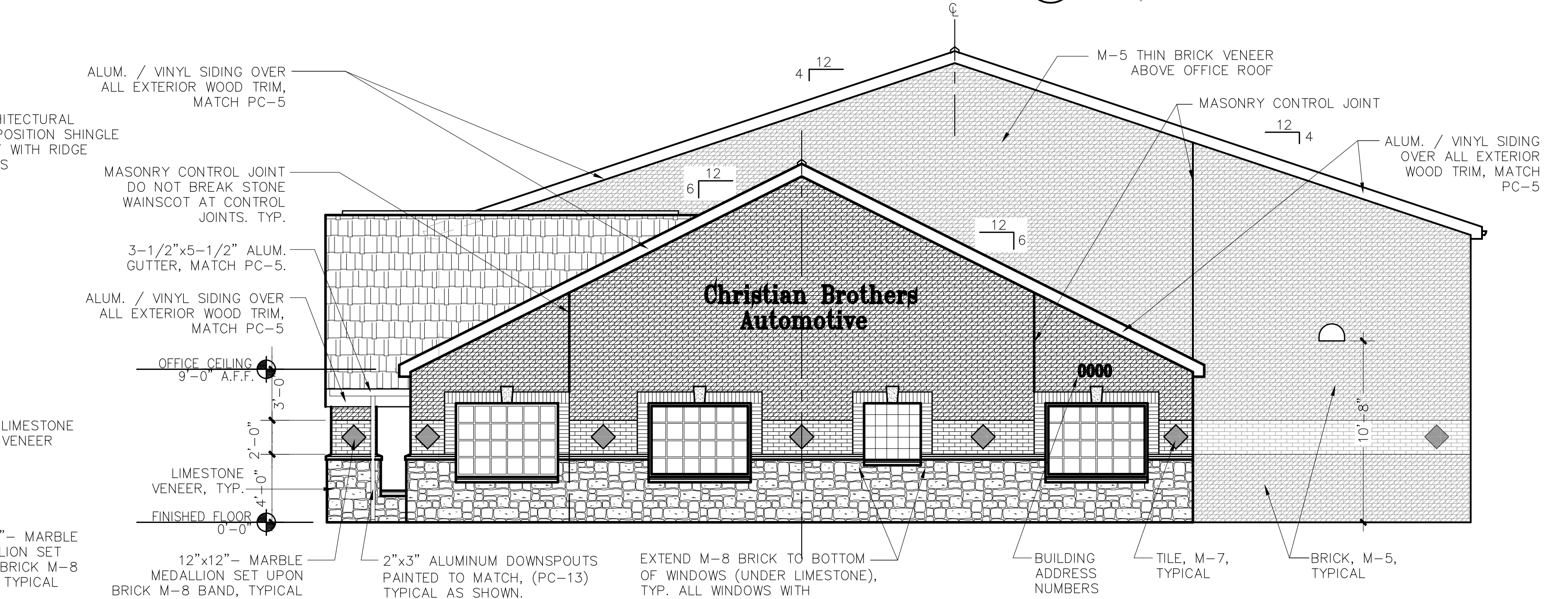
**4 BACK ELEVATION**  
SCALE: 3/16" = 1'-0"



**1 DUMPSTER ENCLOSURE ELEVATIONS**  
SCALE: 3/16" = 1'-0"



**3 LEFT SIDE ELEVATION**  
SCALE: 3/16" = 1'-0"



**2 RIGHT SIDE ELEVATION**  
SCALE: 3/16" = 1'-0"

**TYPICAL NOTES FOR ALL ELEVATIONS**

- 2'-0" BAND, JAMBS, HEADS OF DOORS AND WINDOWS, AND ACCENT IN GABLES AT ENTRY AND SIDE ELEVATIONS TO BE BRICK COLOR M-8.
- ALL MASONRY SURFACES ARE TO BE SPRAYED WITH WATER-PROOFING SEALER, PROSO CO. INC. BLOCK GUARD AND GRAFFITI CONTROL #40093 - PH: 800-255-4255
- ALL DOWN SPOUTS ARE TO BE PAINTED TO MATCH THE COLOR OF THE WALL MATERIAL BEHIND IT.
- ALL WOOD TRIM AT SOFFITS, EAVES, FASCIAS, RAKES, ETC. TO BE ALUMINUM OR VINYL SIDING OVER EXPOSED WOOD.
- ALL EXTERIOR LIGHTS ARE TO BE ON PHOTO CELL. TYPICAL OF ALL ELEVATIONS.

Date

**Revisions**

2/2/18	- Issued for Site Plan Review
--------	-------------------------------

Project No. 17-37  
Drawn By:  
Date: 2/2/18  
Sheet Title:  
**EXTERIOR ELEVATIONS**  
Drawing No.  
**A-4**  
RH10N-10-2017