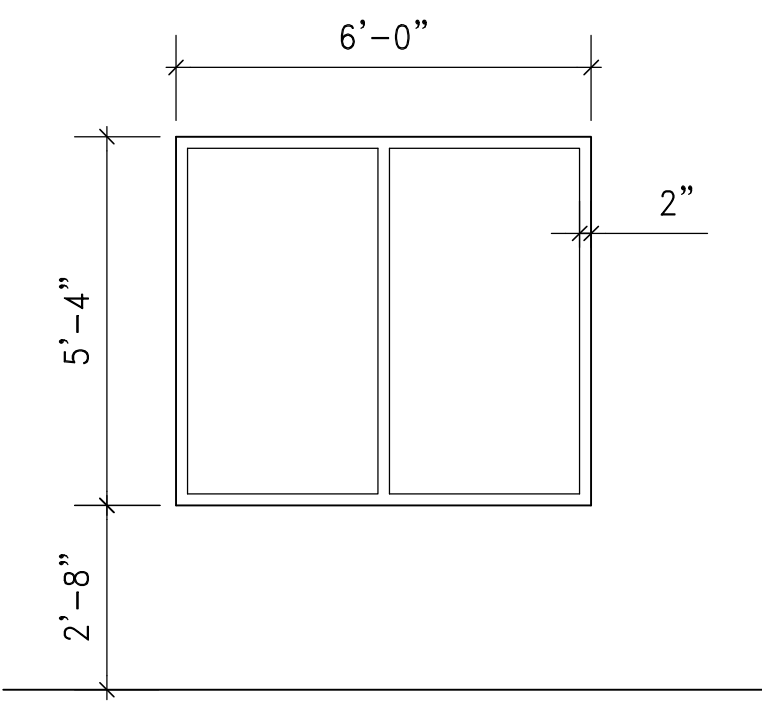


1 EAST ELEVATION
A-200 SCALE: 1/8"=1'-0"

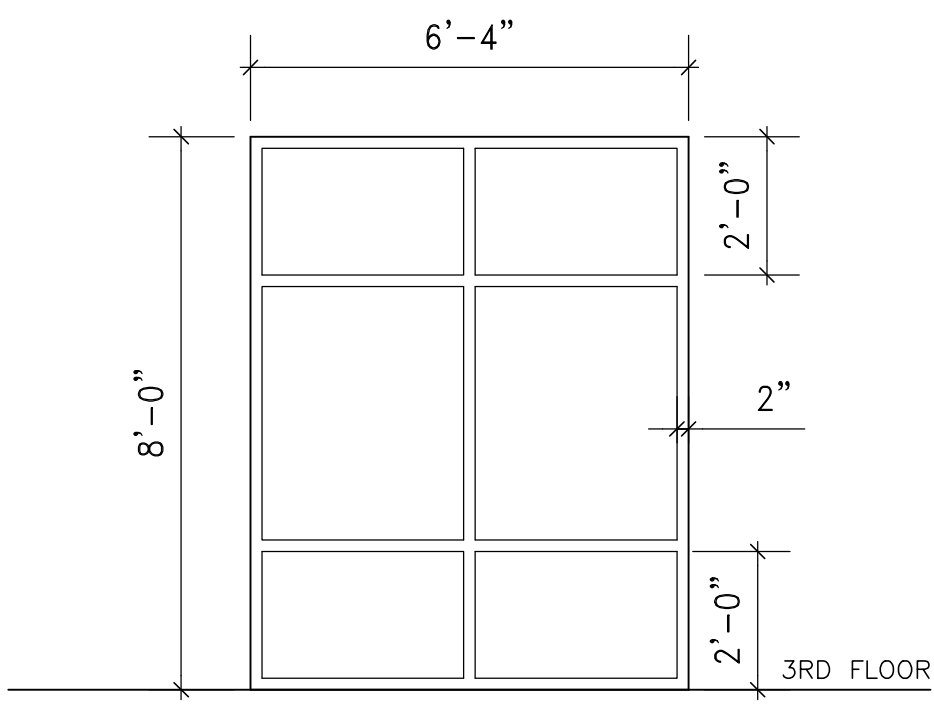
THE LOADING DOCK-
2 STORIES TALL

THE LOADING DOCK-
2 STORIES TALL

BA - EXTERIOR BUILDING WALL LIGHTING 102W LED
ON PHOTOCELL(TIMER CONTROL), SEE ELECTRICAL DWGS.



TYPICAL OFFICE CELLAR STOREFRONT SYSTEM
SCALE: 3/8"=1'-0"



STOREFRONT SYSTEM AT DISPLAY
SCALE: 3/8"=1'-0"
-CB.O.D.: OLD CASTLE 3000 x T OR EQ.

EXTERIOR MATERIAL SCHEDULE					
#	DESCRIPTION	MATERIAL	COLOR	MANUFACTURER	REMARKS
1	CMU-Masonry	8" Split-Faced	Charcoal w/ Med. Gray Accent (S4-N2)	EP Henry	All grout to match medium gray block 2 story at loading docks and around entry doors on west elevation
2	Roof Coping	Metal	Charcoal Gray	MBCI or Equal	
3a	Metal Siding	Metal	Charcoal Gray	MBCI or Equal	Reverse-Rolled Vertical PBU Panels
3b	Metal Siding	Metal	Tundra	MBCI or Equal	Reverse-Rolled Horizontal PBU Panels
4	Decorative Window Box	EIFS	Metallic Medium Gray		Match medium gray block
5	Exterior Roll-Up Door	Metal	Apple Lime Cocktail	JAN. International	Rough Openings (8x8)
6	Automatic Bi-Parting Door	Metal & Glass	Anodized Silver	Stanley or Equal	Glass to be supplied by store front contractor
7	Window	Aluminum & Glass	Anodized Silver	TDB	Glass & Frame to be supplied by store front contractor
8	Metal Column Wrap	Metal	Tundra	MBCI or Equal	24" wide
9	Sign per Tenant	-	-	-	-
10	Display Window	Aluminum & Glass	Anodized Silver	TDB	Glass & Frame to be supplied by store front contractor
11	Gutter	Metal	Charcoal Gray	MBCI or Equal	-
12	Accent Band #1	EIFS	Match Ultra Marine Blue	JAN. International	Over East Elevation Roll-up Doors
13	Accent Band #2	EIFS	Match Apple Lime Cocktail	JAN. International	Over Loading Dock Entries
14	EIFS	EIFS	Match Snow White	MBCI or Equal	Second Floor Exterior
15a	Accent Squares	EIFS	Match Ultra Marine Blue	JAN. International	Horizontal line and Squares (3x3)
15b	Accent Squares	EIFS	Match Ultra Marine Blue	JAN. International	Horizontal line and Squares (4x4)

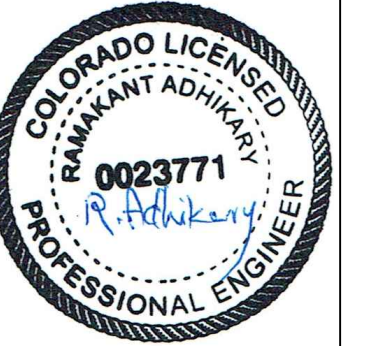
NOTES:

- ALL S.F. SYSTEM TO BE 1" LOW-E GLASS, TEMPERED, MAXIMUM U=0.38, MAXIMUM SHGC=0.4
- AIR LEAKAGE: PROVIDE FLASHING, WINDOW DAMS, SEALANT/CAULKING AT R.O. & TO CREATE CONTINUOUS AIR BARRIER
- COORDINATE/ VERIFY ALL OPENING DIMENSIONS PRIOR TO FABRICATION OF STOREFRONT SYSTEM

ELECTRONIC DRIVE SELF STORAGE

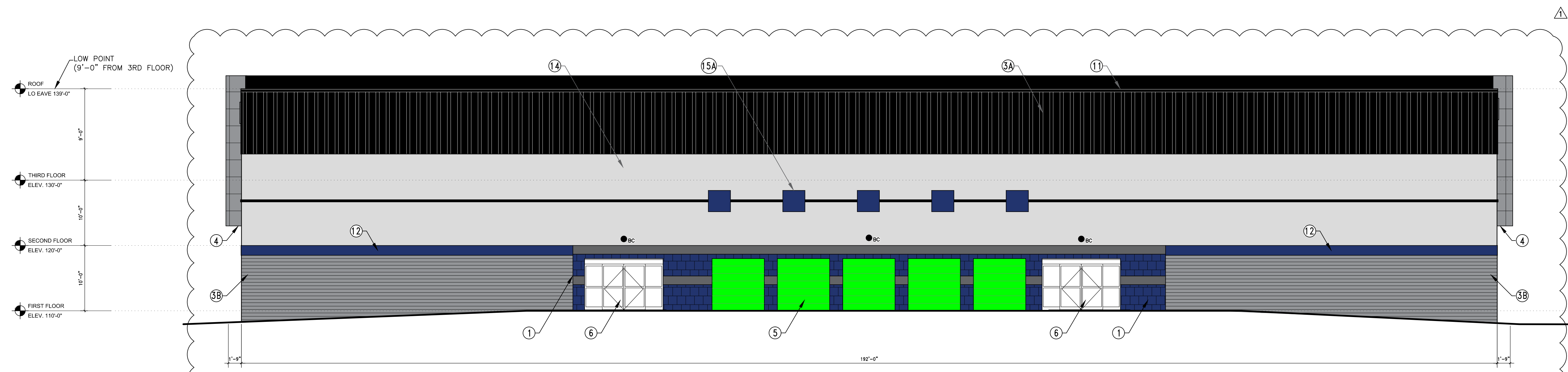
7765 Electronic Drive,
Colorado Spring, CO 80922

C.S. DEVELOPMENT PARTNER,
LLC.
520 WEST 21st STREET
Unit 12, # 710
NORFOLK, VA 23517
TEL. (757) 333-3144



Advance Structural Concepts, LLC.
Consulting Structural Engineers
10875 Main Street, Suite #101
Fairfax, VA 22030
Tel (703) 865-7122 Fax (703) 865-7155

© 2015 BY ADVANCE STRUCTURAL CONCEPTS LLC.
This drawing is the property of ADVANCE STRUCTURAL CONCEPTS LLC., contains proprietary and confidential information and may not be used or reproduced without the prior written consent of ADVANCE STRUCTURAL CONCEPTS LLC., or any successor thereto.



1 WEST ELEVATION
A-200 SCALE: 1/8"=1'-0"

ELECTRONIC DRIVE SELF STORAGE

7765 Electronic Drive,
Colorado Spring, CO 80922

C.S. DEVELOPMENT PARTNER,
LLC.
520 WEST 21st STREET
UNIT 42, # 710
NORFOLK, VA 23517
TEL. (757) 333-3144

