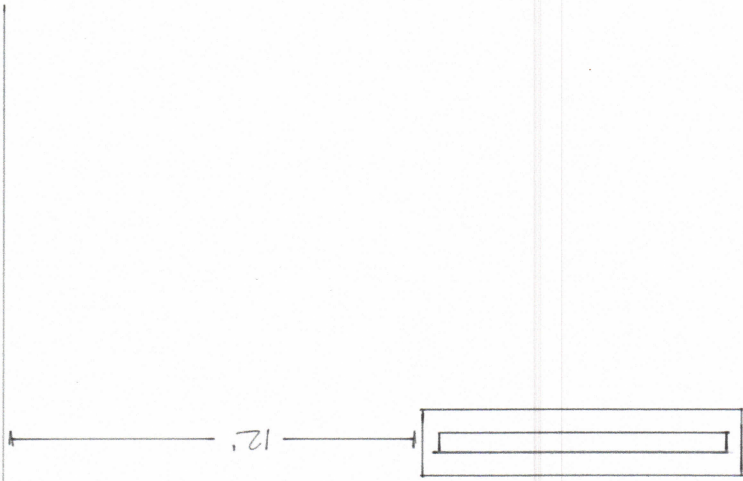


2.1

5

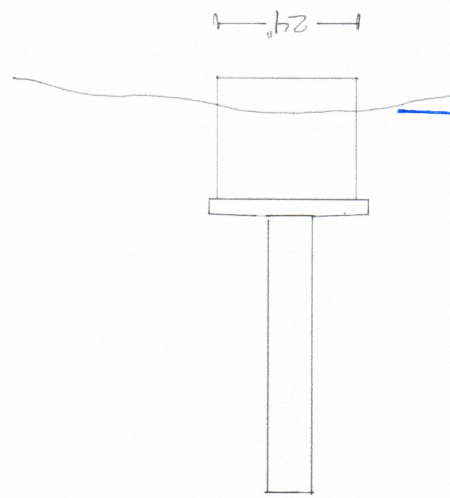


8



SIDE VIEW

PLAN VIEW



SIDE ELEVATION