



GIVEN:
Wind: 130 MPH
Snow: 40 PSF
Book 2018 IRC
Min. Soil Capacity: 1.500 PSF



A Division of Larkspur Outlet, LLC

(303) 396-3957

17 Commerce St.
Colorado Springs, CO 80907

PROJECT:

36'x36'x12'
POLE BARN

PROJECT NAME:

BRITT ELY

PROJECT ADDRESS:

8510 KIRK DR.
COLORADO SPRINGS, CO 80908



TITLE:

TITLE SHEET

SCALE:

NTS

SHEET:

01



A Division of Larkspur Outlet, LLC

(303) 396-3957

17 Commerce St.
Colorado Springs, CO 80907

PROJECT:

36'x36'x12'
POLE BARN

PROJECT NAME:

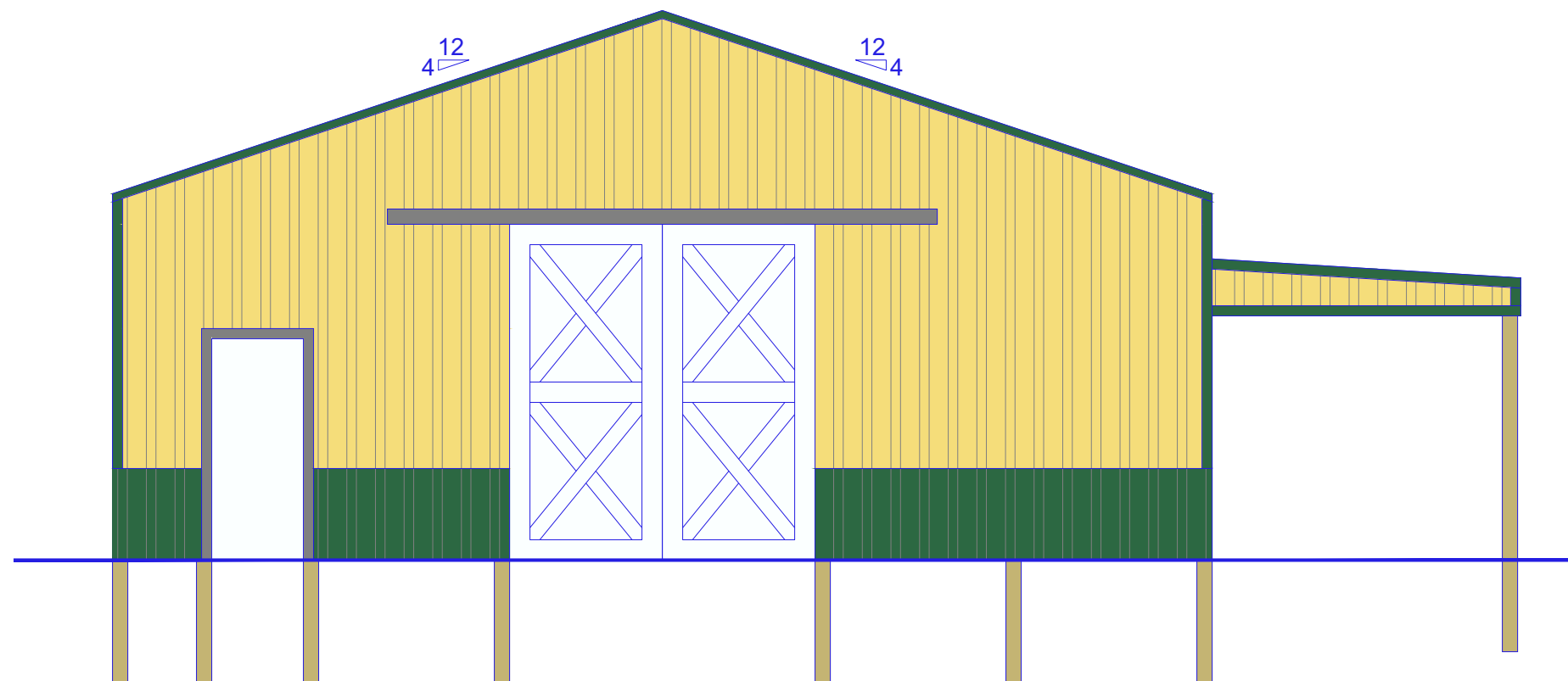
BRITT ELY

PROJECT ADDRESS:

8510 KIRK DR.
COLORADO SPRINGS, CO 80908

TITLE:

Patrick Greenwood
PROFESSIONAL ENGINEER
1/15/2022



FRONT ELEVATION

SCALE: 3/16"=1'-0"

FRONT ELEVATION

SCALE:

3/16"=1'-0"

SHEET:

02



A Division of Larkspur Outlet, LLC

(303) 396-3957

17 Commerce St.
Colorado Springs, CO 80907

PROJECT:

36'x36'x12'
POLE BARN

PROJECT NAME:

BRITT ELY

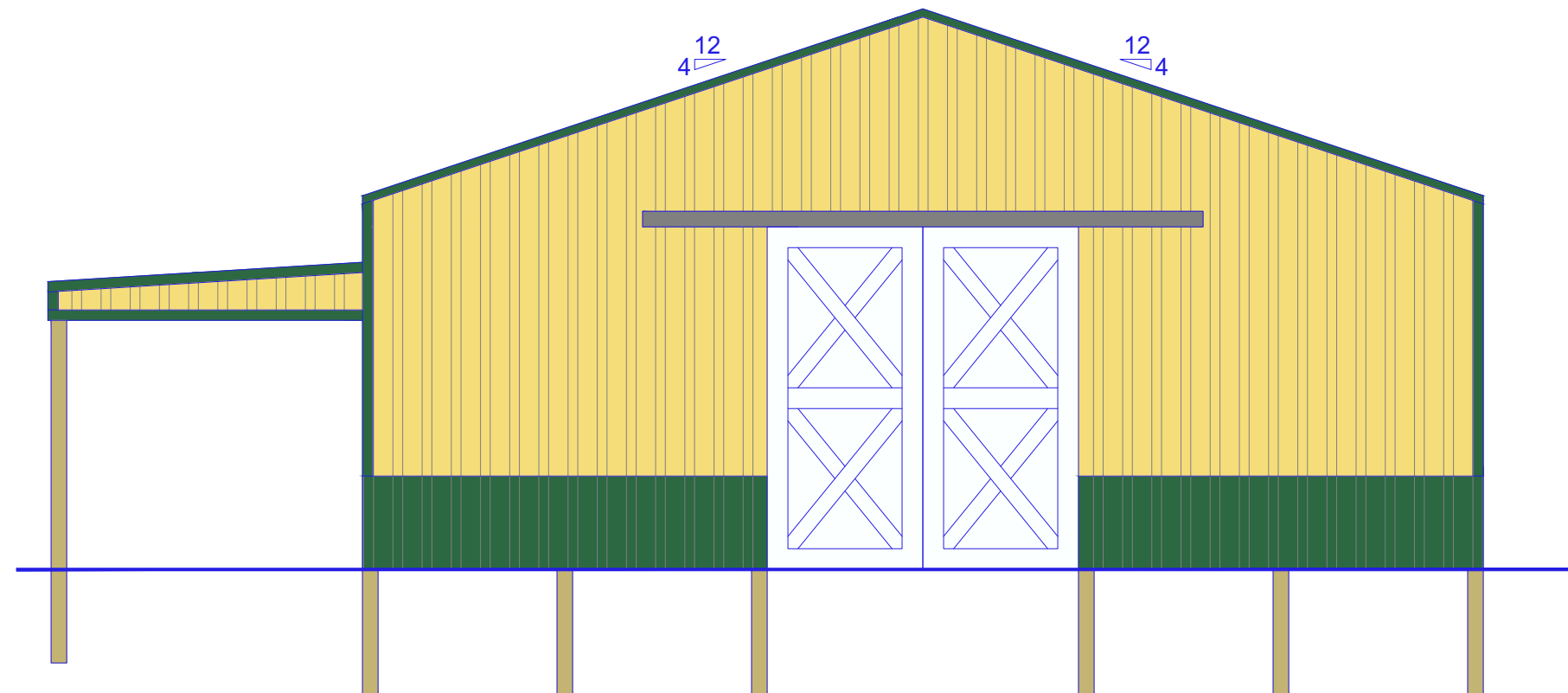
PROJECT ADDRESS:

8510 KIRK DR.
COLORADO SPRINGS, CO 80908



TITLE:

REAR ELEVATION



REAR ELEVATION
SCALE: 3/16"=1'-0"

SCALE:

3/16"=1'-0"

SHEET:

03



A Division of Larkspur Outlet, LLC

(303) 396-3957

17 Commerce St.
Colorado Springs, CO 80907

PROJECT:

**36'x36'x12'
POLE BARN**

PROJECT NAME:

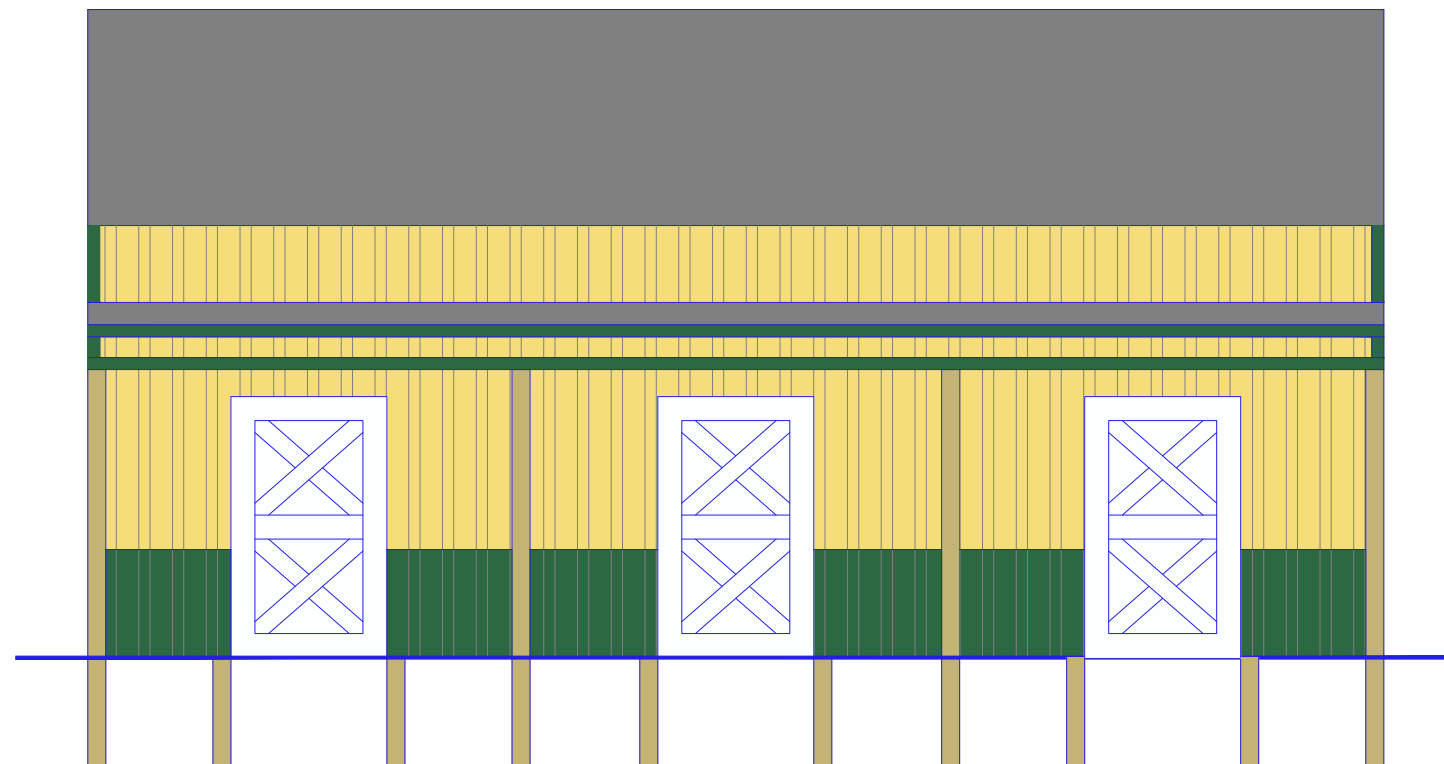
BRITT ELY

PROJECT ADDRESS:

**8510 KIRK DR.
COLORADO SPRINGS, CO 80908**

TITLE:

**RIGHT
ELEVATION**



RIGHT ELEVATION

SCALE: 1/8"=1'-0"

SCALE:

3/16"=1'-0"

SHEET:

04



A Division of Larkspur Outlet, LLC

(303) 396-3957

17 Commerce St.
Colorado Springs, CO 80907

PROJECT:

36'x36'x12'
POLE BARN

PROJECT NAME:

BRITT ELY

PROJECT ADDRESS:

8510 KIRK DR.
COLORADO SPRINGS, CO 80908

TITLE:

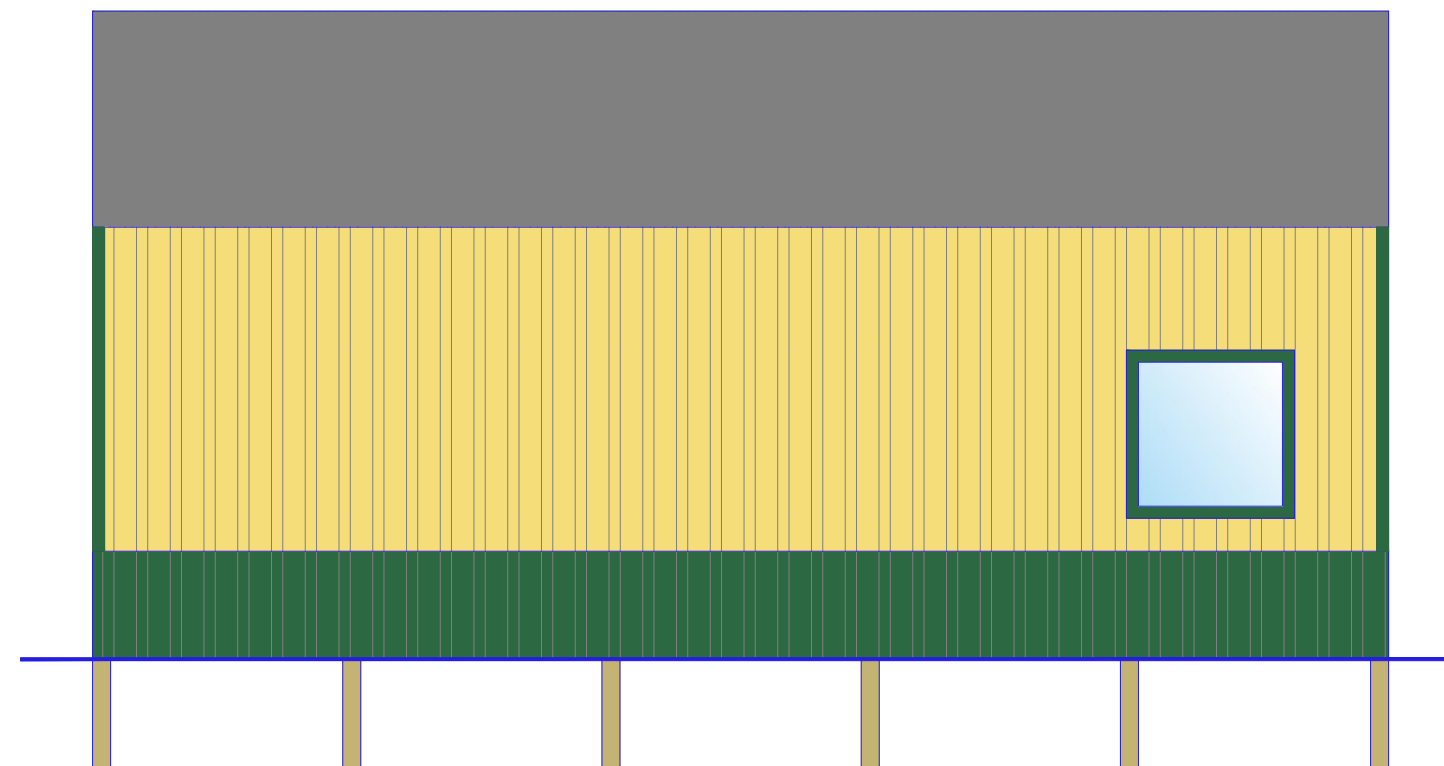
**LEFT
ELEVATION**

SCALE:

3/16"=1'-0"

SHEET:

05



LEFT ELEVATION
SCALE: 3/16"=1'-0"





A Division of Larkspur Outlet, LLC

(303) 396-3957

17 Commerce St.
Colorado Springs, CO 80907

PROJECT:

**36'x36'x12'
POLE BARN**

PROJECT NAME:

BRITT ELY

PROJECT ADDRESS:

**8510 KIRK DR
COLORADO SPRINGS, CO 80908**



TITLE:

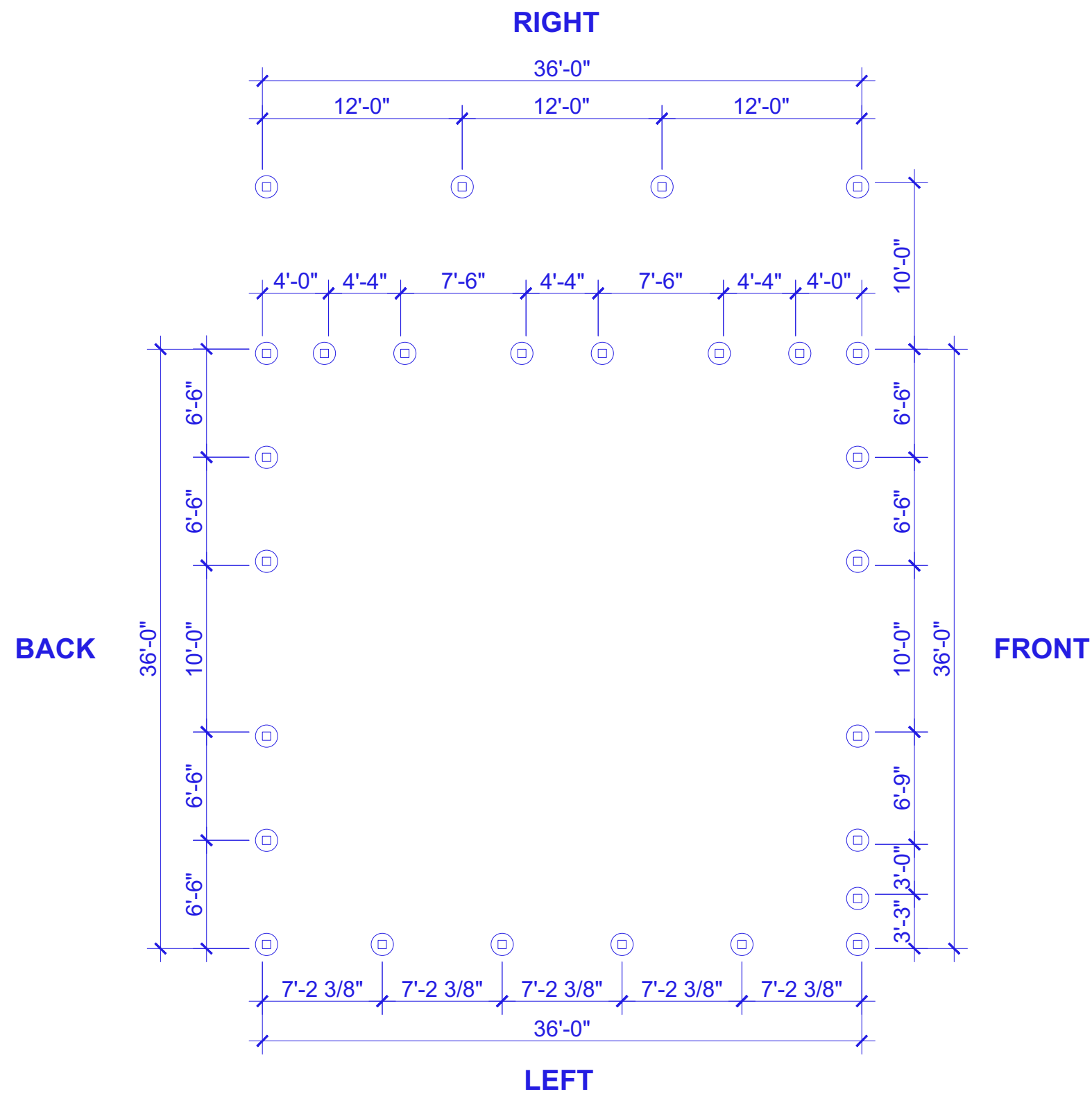
**POLES HOLES
DIAGRAM**

SCALE:

1/8"=1'-0"

SHEET:

06





A Division of Larkspur Outlet, LLC

(303) 396-3957

17 Commerce St.
Colorado Springs, CO 80907

PROJECT:

**36'x36'x12'
POLE BARN**

PROJECT NAME:

BRITT ELY

PROJECT ADDRESS:

**8510 KIRK DR
COLORADO SPRINGS, CO 80908**

TITLE:

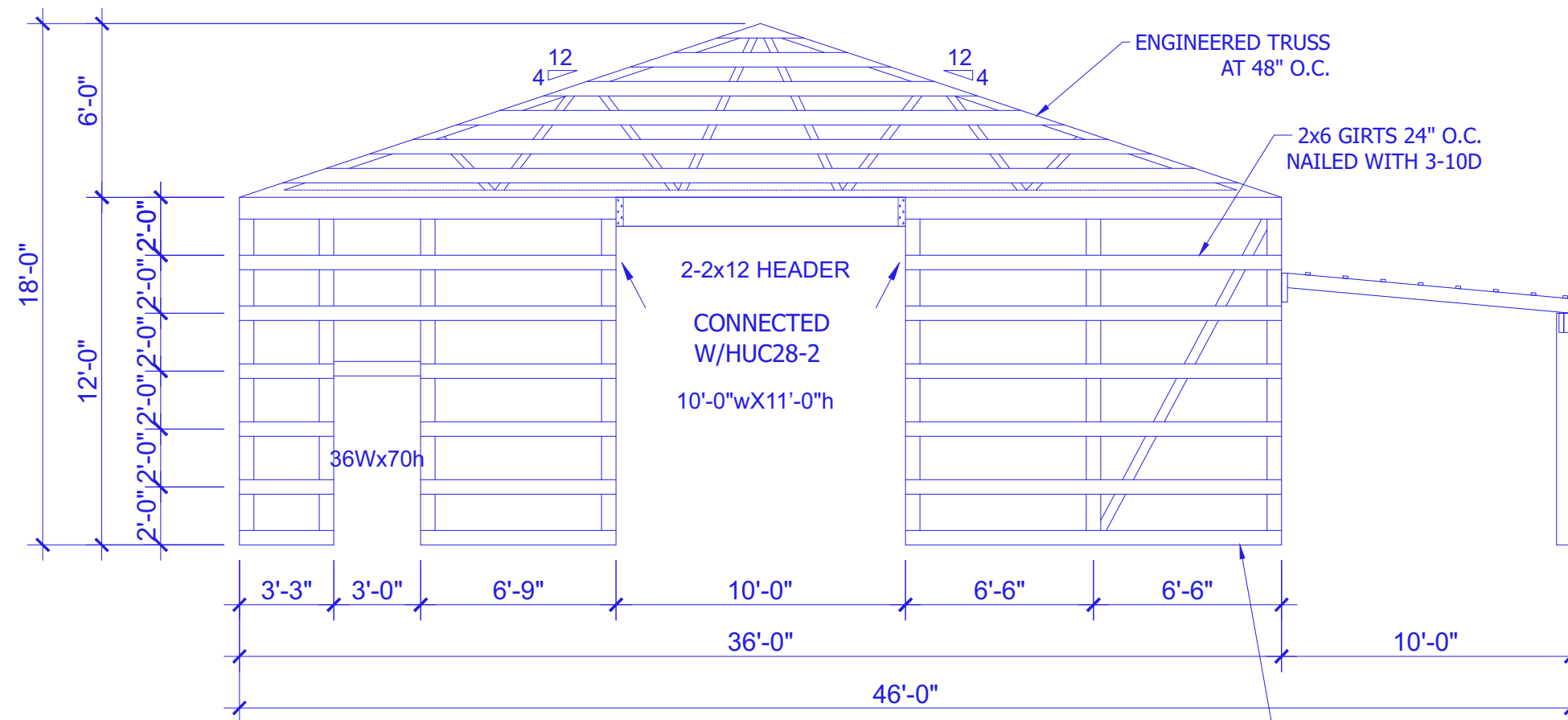
**FRONT
FRAMING PLAN**

SCALE:

3/16"=1'-0"

SHEET:

07



FRONT FRAMING PLAN

SCALE: 3/16"=1'-0"





A Division of Larkspur Outlet, LLC

(303) 396-3957

17 Commerce St.
Colorado Springs, CO 80907

PROJECT:

**36'x36'x12'
POLE BARN**

PROJECT NAME:

BRITT ELY

PROJECT ADDRESS:

**8510 KIRK DR.
COLORADO SPRINGS, CO 80908**



TITLE:

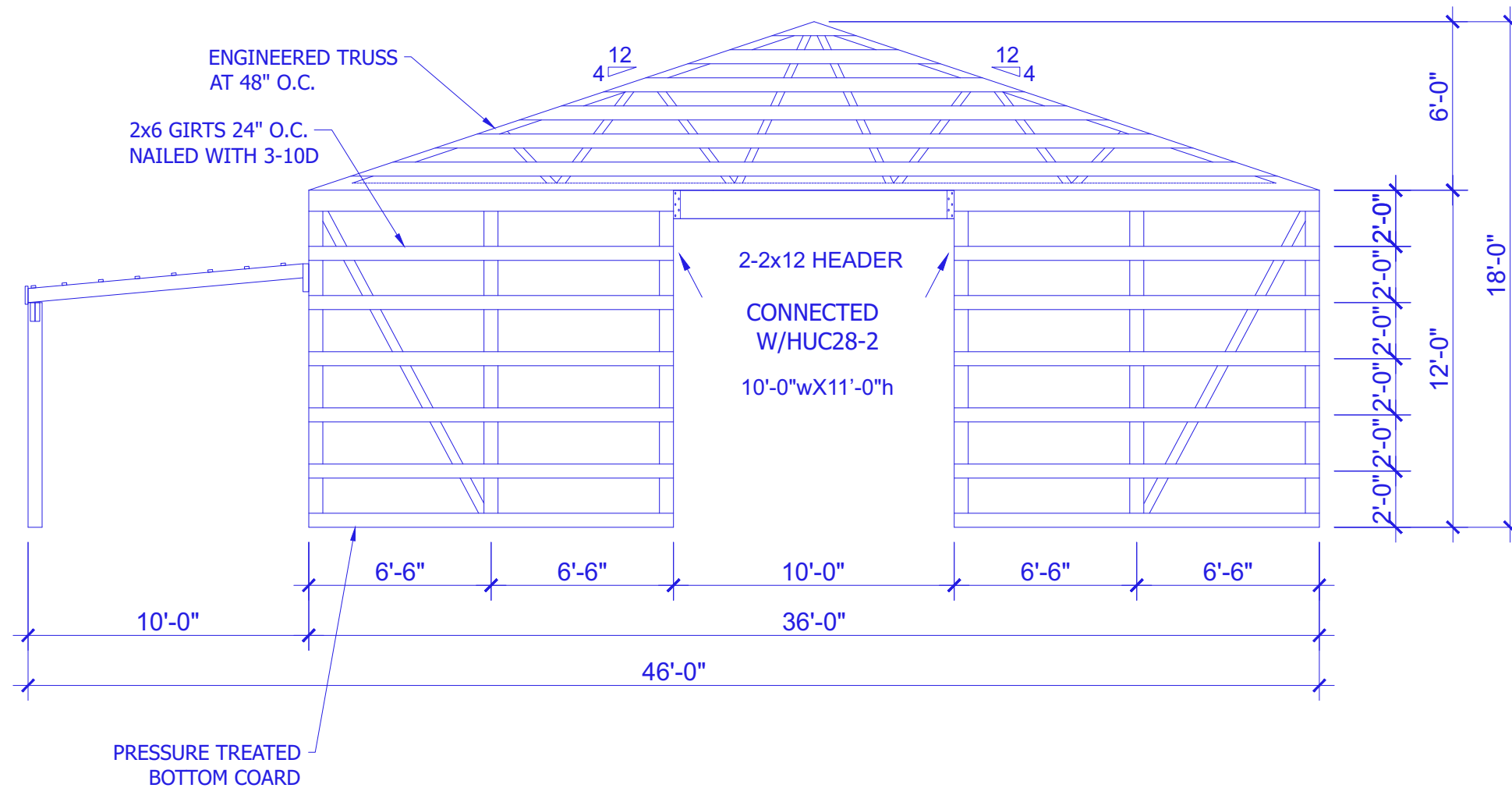
**REAR
FRAMING PLAN**

SCALE:

3/16"=1'-0"

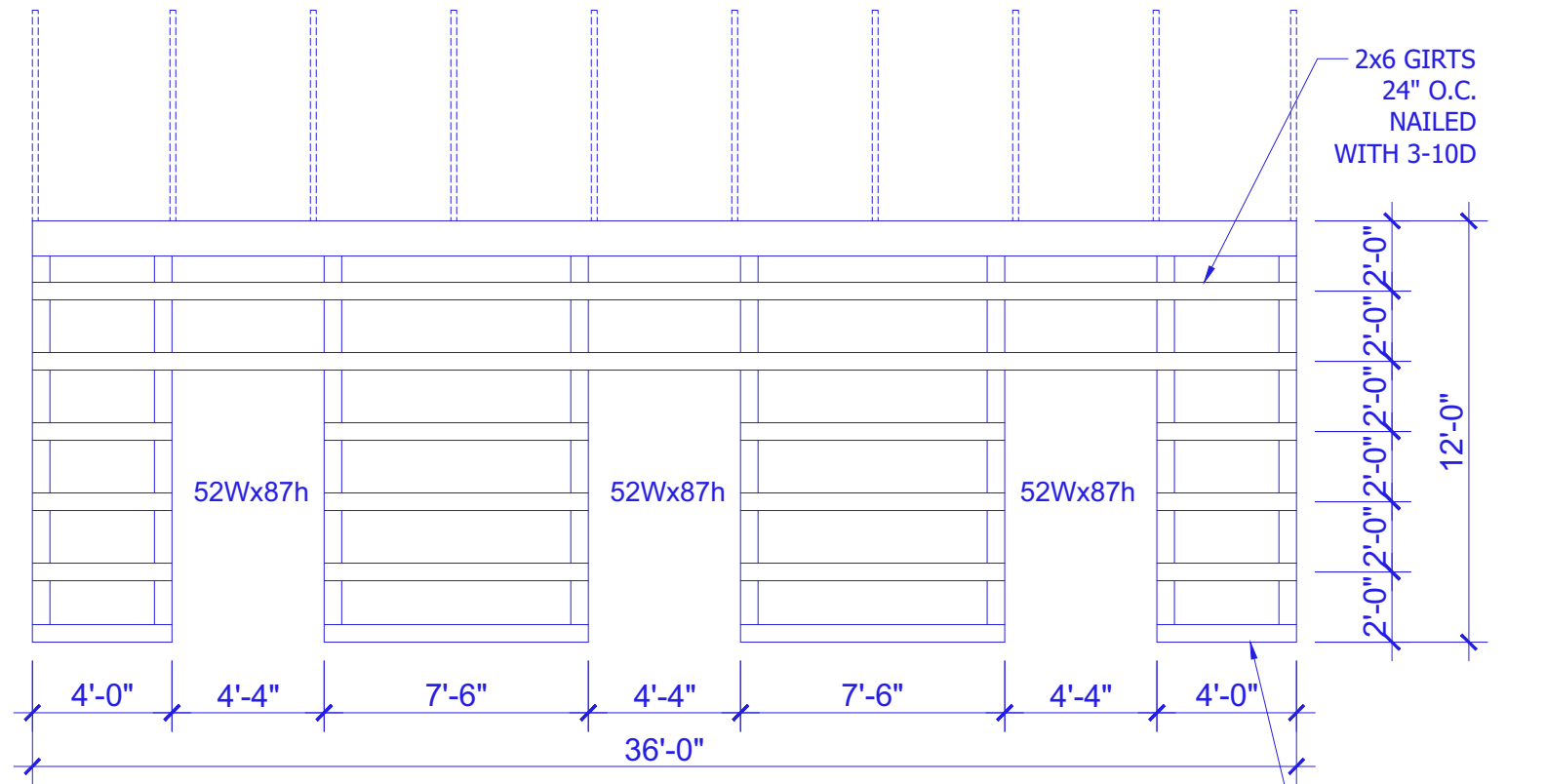
SHEET:

08

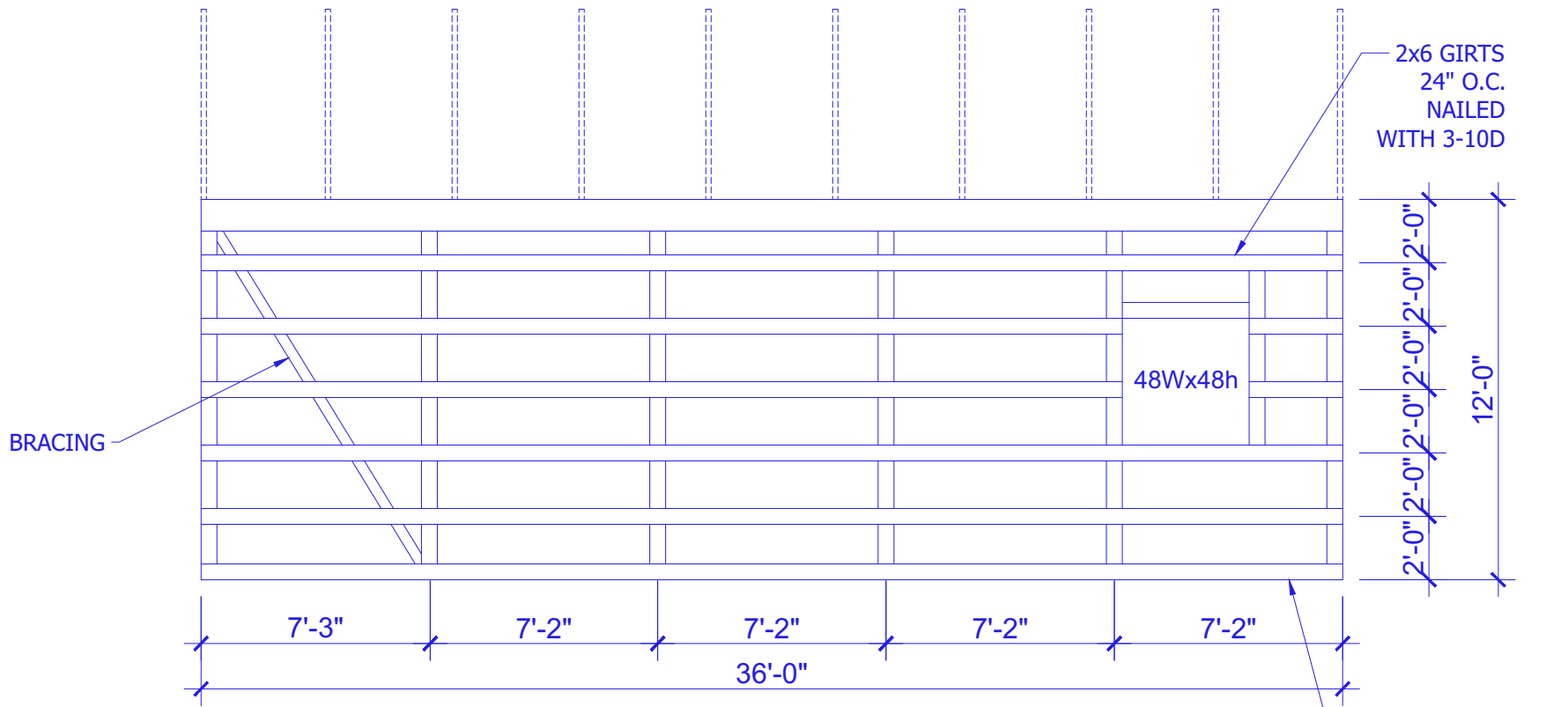


REAR FRAMING PLAN

SCALE: 3/16"=1'-0"



LEFT FRAMING PLAN
SCALE: 3/16"=1'-0"



RIGHT FRAMING PLAN
SCALE: 3/16"=1'-0"



A Division of Larkspur Outlet, LLC

(303) 396-3957

17 Commerce St.
Colorado Springs, CO 80907

PROJECT:

36'x36'x12'
POLE BARN

PROJECT NAME:

BRITT ELY

PROJECT ADDRESS:

8510 KIRK DR.
COLORADO SPRINGS, CO 80908



TITLE:

**LEFT & RIGHT
FRAMING PLAN**

SCALE:
3/16"=1'-0"

SHEET:
09



A Division of Larkspur Outlet, LLC

(303) 396-3957

17 Commerce St.
Colorado Springs, CO 80907

PROJECT:

**36'x36'x12'
POLE BARN**

PROJECT NAME:

BRITT ELY

PROJECT ADDRESS:

**8510 KIRK DR.
COLORADO SPRINGS, CO 80908**



TITLE:

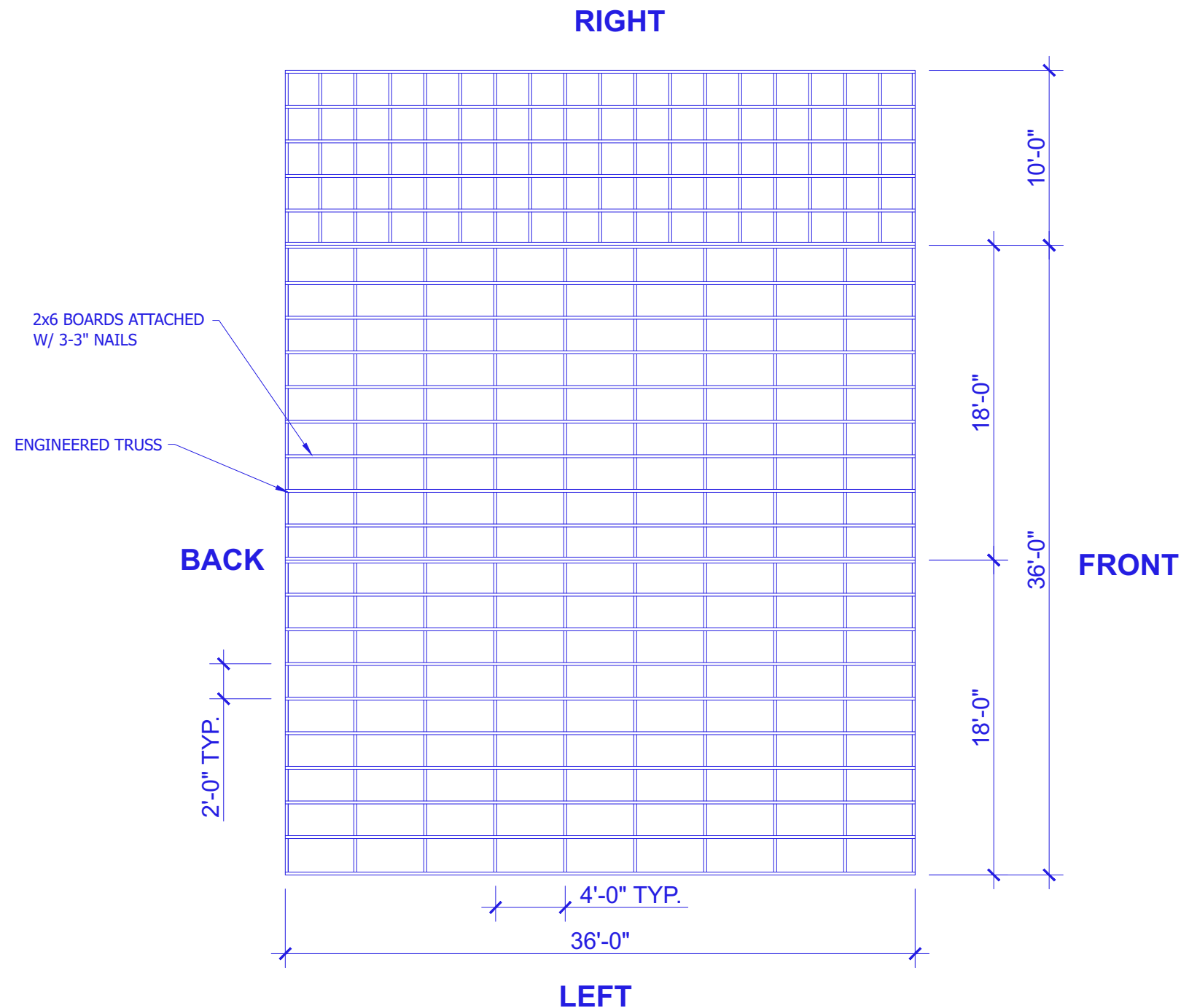
ROOF PLAN

SCALE:

1/8"=1'-0"

SHEET:

10



ROOF PLAN

SCALE: 1/8"=1'-0"



A Division of Larkspur Outlet, LLC

(303) 396-3957

17 Commerce St.
Colorado Springs, CO 80907

PROJECT:

**36'x36'x12'
POLE BARN**

PROJECT NAME:

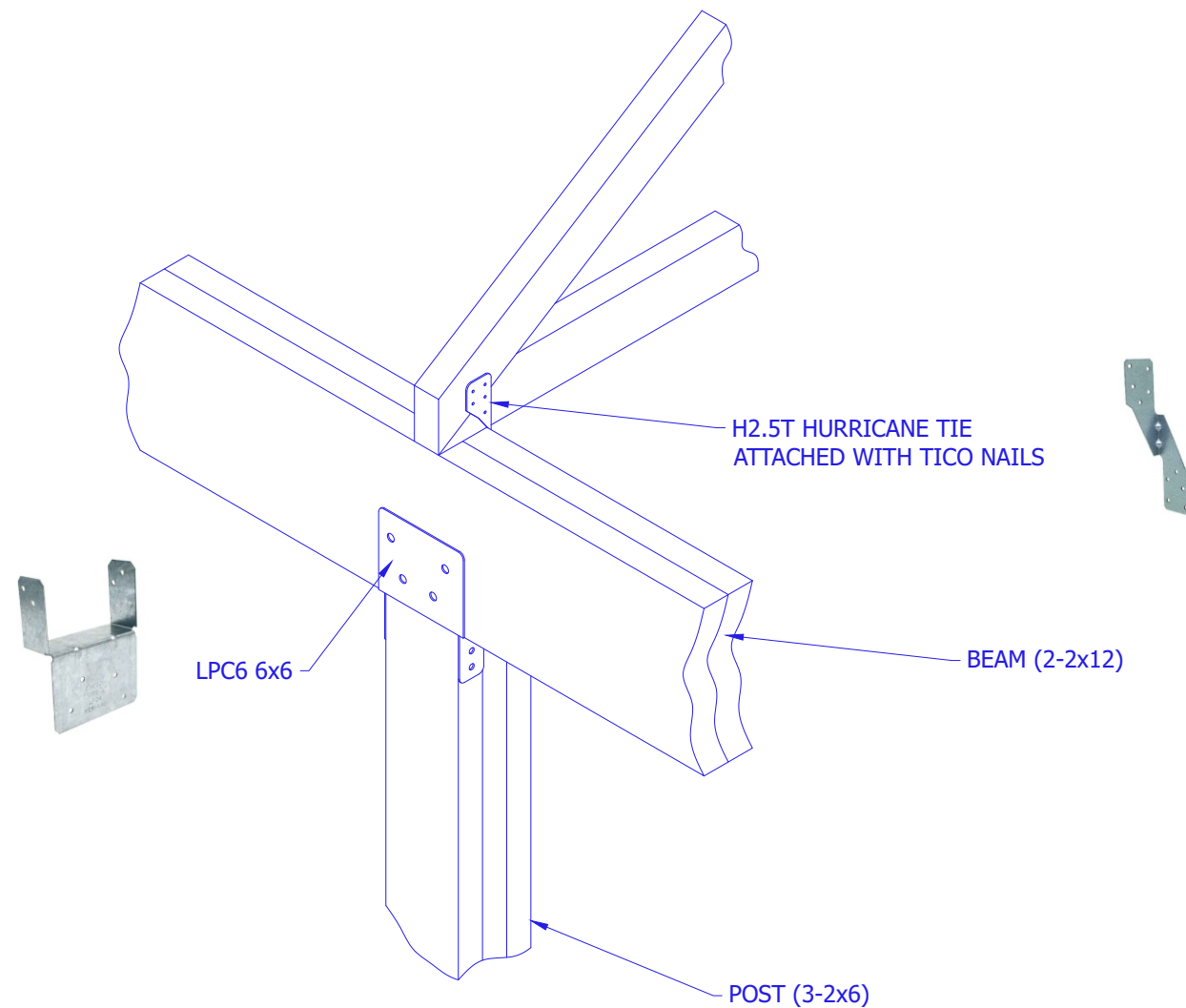
BRITT ELY

PROJECT ADDRESS:

**8510 KIRK DR.
COLORADO SPRINGS, CO 80908**

TITLE:

**TRUSSES
CONNECTIONS**



TRUSSES CONNECTIONS

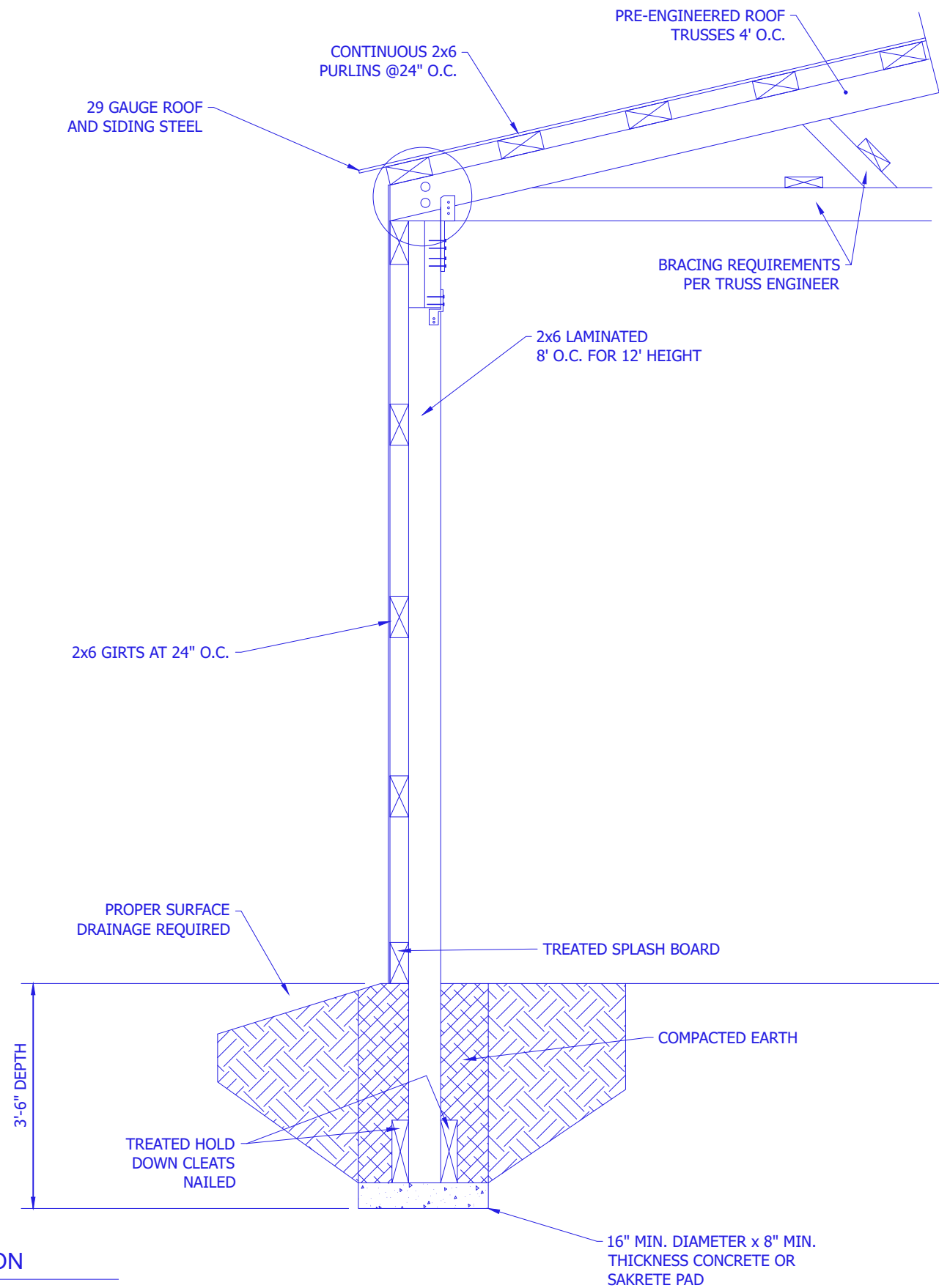
SCALE: NTS

SCALE:

NTS

SHEET:

11



POLE STRUCTURE CROSS SECTION
SCALE: NTS



A Division of Larkspur Outlet, LLC

(303) 396-3957

17 Commerce St.
Colorado Springs, CO 80907

PROJECT:

**36'x36'x12'
POLE BARN**

PROJECT NAME:

BRITT ELY

PROJECT ADDRESS:

**8510 KIRK DR.
COLORADO SPRINGS, CO 80908**



TITLE:

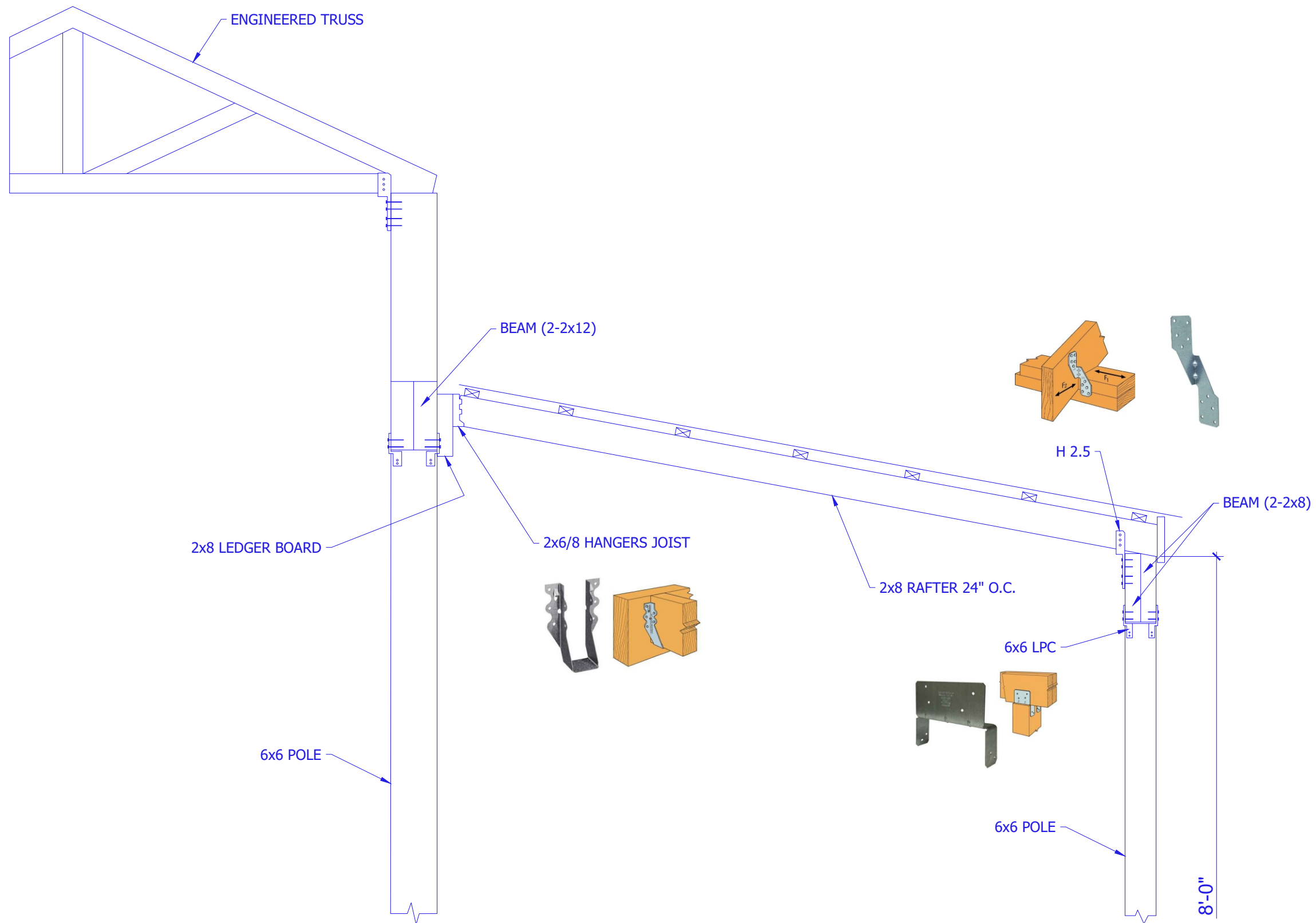
**POLE STRUCTURE
CROSS SECTION**

SCALE:

NTS

SHEET:

12



LEAN DETAIL 1
SCALE: NTS



A Division of Larkspur Outlet, LLC

(303) 396-3957

17 Commerce St.
Colorado Springs, CO 80907

PROJECT:

36'x36'x12'
POLE BARN

PROJECT NAME:

BRITT ELY

PROJECT ADDRESS:

8510 KIRK DR
COLORADO SPRINGS, CO 80908



TITLE:

LEAN DETAIL 1

SCALE:

NTS

SHEET:

13



A Division of Larkspur Outlet, LLC

(303) 396-3957

17 Commerce St.
Colorado Springs, CO 80907

PROJECT:

36'x36'x12'
POLE BARN

PROJECT NAME:

BRITT ELY

PROJECT ADDRESS:

8510 KIRK DR
COLORADO SPRINGS, CO 80908

TITLE:

Professional Engineer
1/25/2022

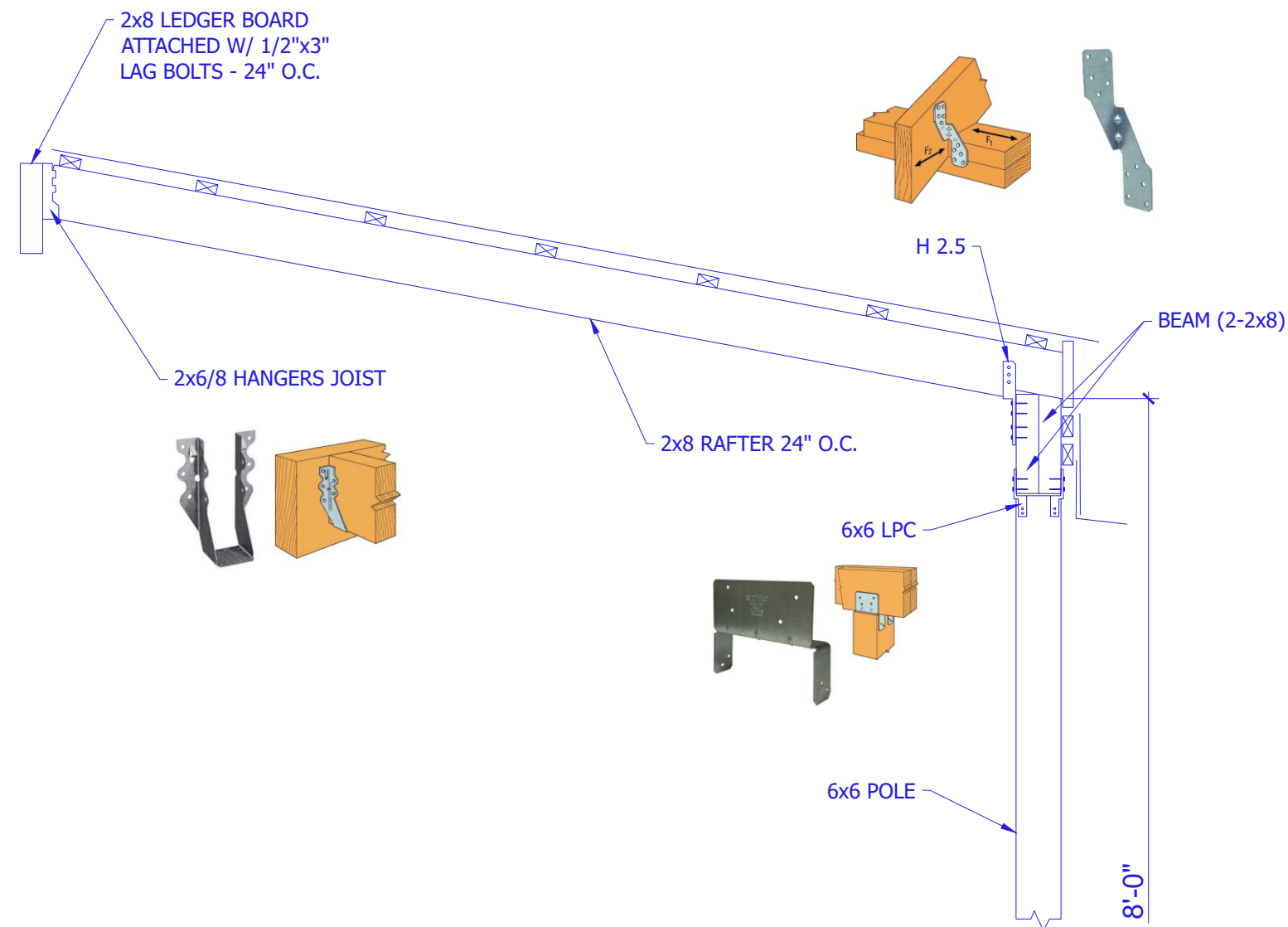
LEAN DETAIL 2

SCALE:

NTS

SHEET:

14



LEAN DETAIL 2

SCALE: NTS



A Division of Larkspur Outlet, LLC

(303) 396-3957

17 Commerce St.
Colorado Springs, CO 80907

PROJECT:

**36'x36'x12'
POLE BARN**

PROJECT NAME:

BRITT ELY

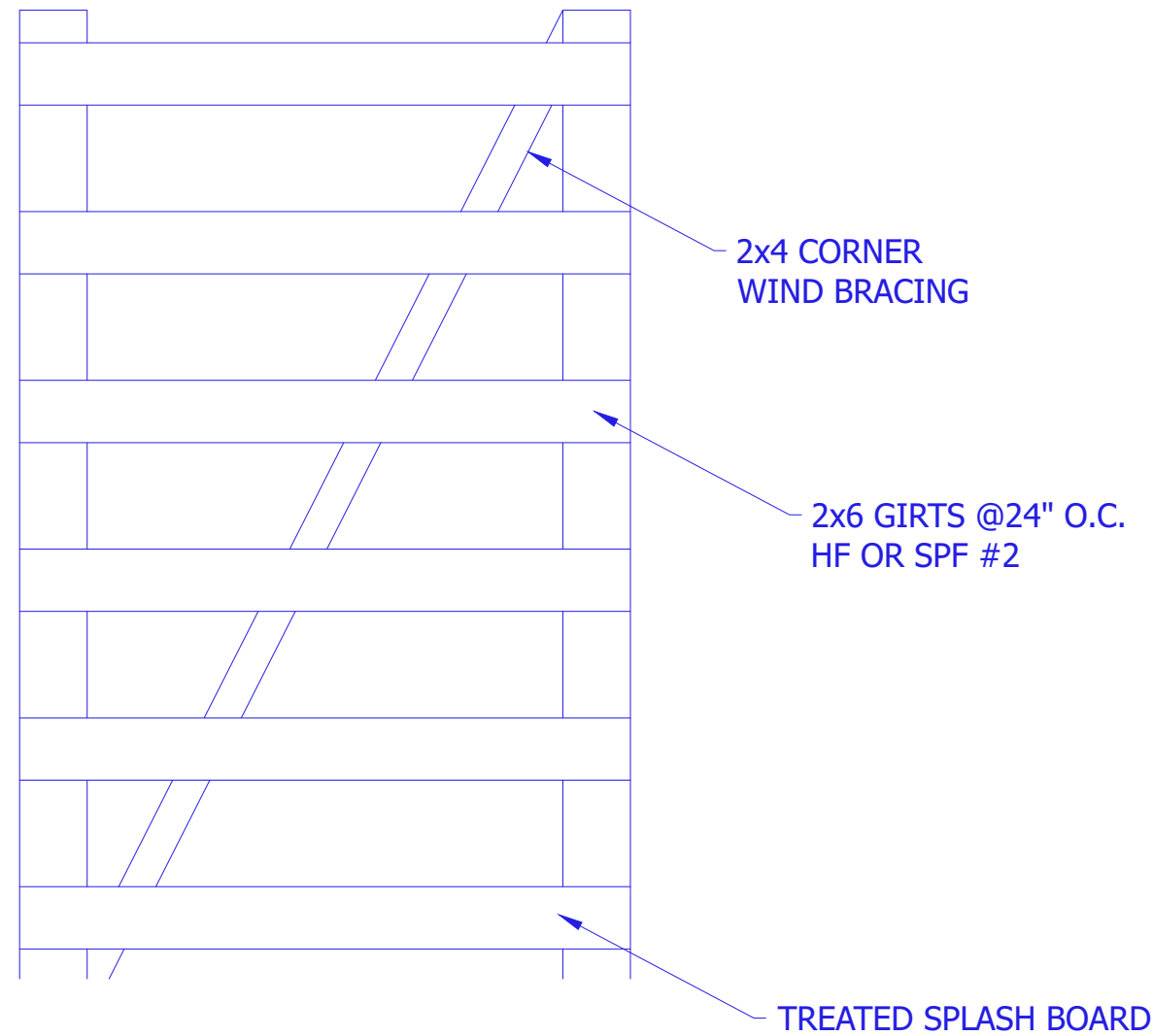
PROJECT ADDRESS:

**8510 KIRK DR.
COLORADO SPRINGS, CO 80908**



TITLE:

**CORNER BRACING
DETAIL**



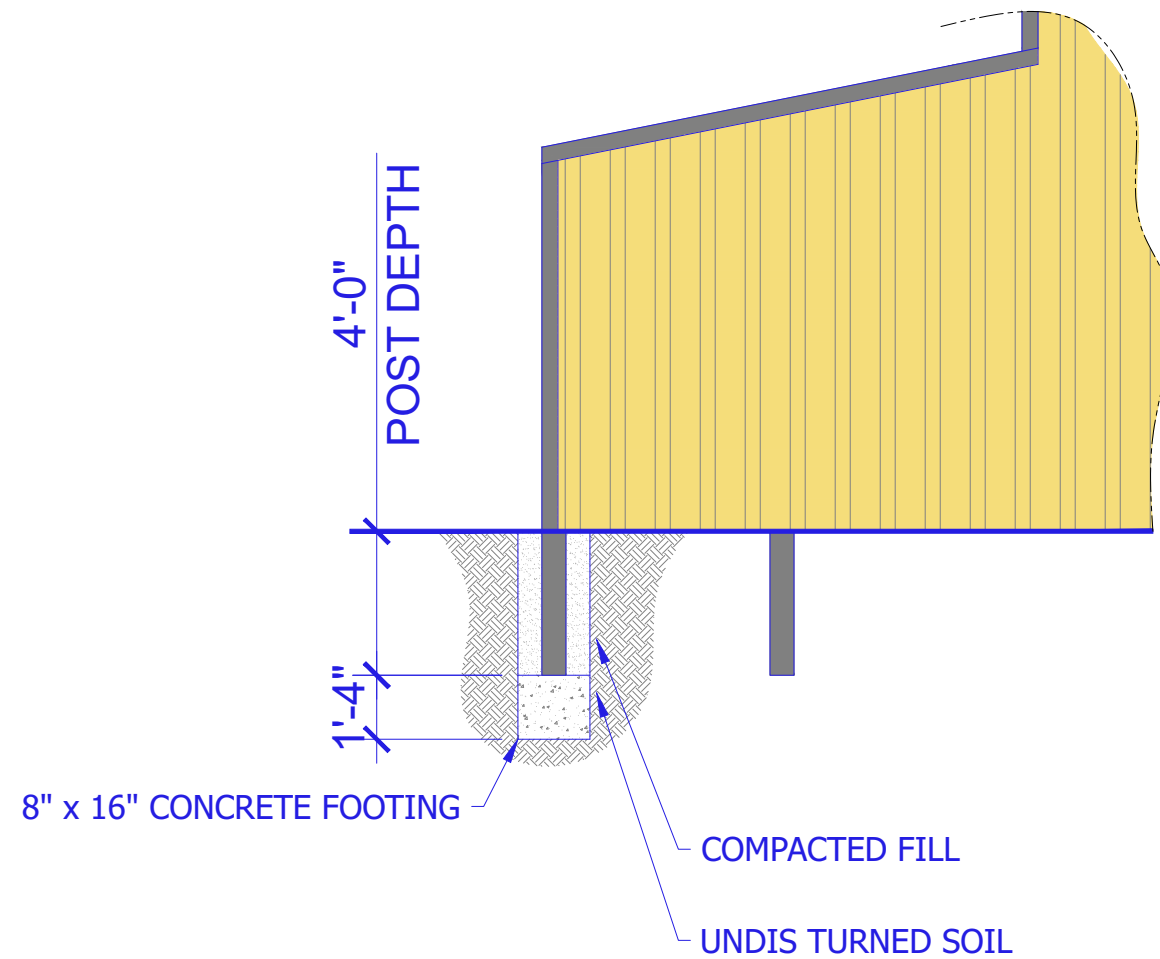
CORNER BRACING DETAIL
SCALE: NTS

SCALE:

NTS

SHEET:

15



A Division of Larkspur Outlet, LLC

(303) 396-3957

17 Commerce St.
Colorado Springs, CO 80907

PROJECT:

36'x36'x12'
POLE BARN

PROJECT NAME:

BRITT ELY

PROJECT ADDRESS:

8510 KIRK DR.
COLORADO SPRINGS, CO 80908



TITLE:

POLES SECTION

SCALE:

1/4"=1'-0"

SHEET:

16