

TOP OF EXISTING ANTENNAS (BY OTHERS)
ELEV: 100'-0" A.G.L.

TOP OF EXISTING MONOPOLE
ELEV: 99'-0" A.G.L.

C.L. OF EXISTING MW DISH (BY OTHERS)
ELEV: 90'-0" A.G.L.

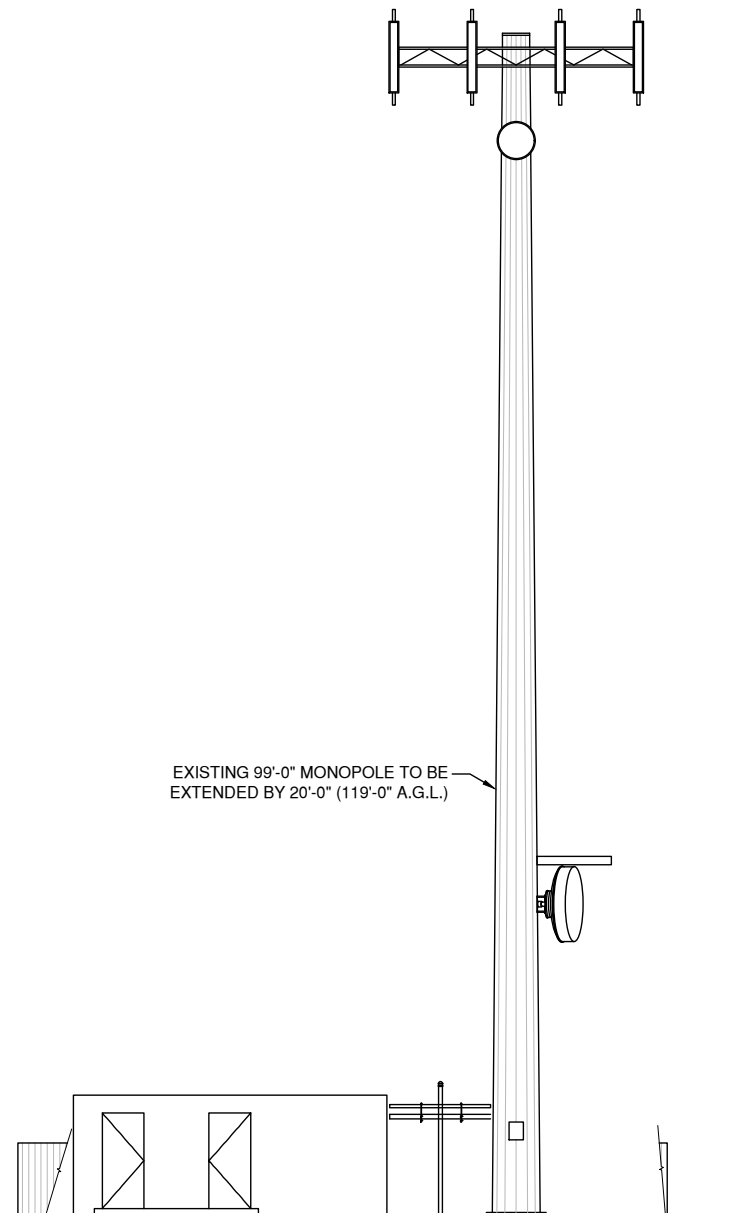
TOP OF EXISTING ICE SHIELD (BY OTHERS)
ELEV: 30'-0" A.G.L.

C.L. OF EXISTING MW DISH (BY OTHERS)
ELEV: 26'-0" A.G.L.

C.L. OF EXISTING MONOPOLE PORT
ELEV: 7'-0" A.G.L.

EXISTING GRADE
ELEV: 0'-0" A.G.L.

EXISTING 99'-0" MONOPOLE TO BE EXTENDED BY 20'-0" (119'-0" A.G.L.)



1 EXISTING TOWER ELEVATION
SCALE: 1/16" = 1'-0"

GRAPHIC SCALE: 1/16"=1'-0"

NOTE:
CRANE HEIGHT: 140'-0" A.G.L.

TOP OF PROPOSED AT&T ANTENNAS
ELEV: 119'-0" A.G.L.

TOP OF PROPOSED MONOPOLE EXTENSION
ELEV: 119'-0" A.G.L.

TOP OF EXISTING ANTENNAS (BY OTHERS)
ELEV: 100'-0" A.G.L.

TOP OF EXISTING MONOPOLE
ELEV: 99'-0" A.G.L.

C.L. OF EXISTING MW DISH (BY OTHERS)
ELEV: 90'-0" A.G.L.

TOP OF EXISTING ICE SHIELD (BY OTHERS)
ELEV: 30'-0" A.G.L.

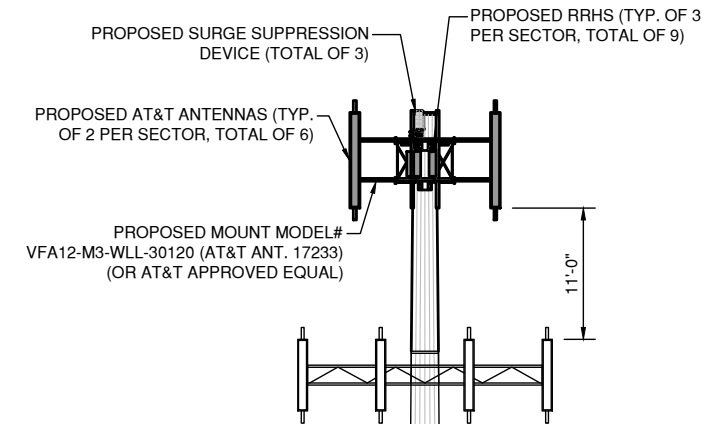
C.L. OF EXISTING MW DISH (BY OTHERS)
ELEV: 26'-0" A.G.L.

C.L. OF EXISTING MONOPOLE PORT
ELEV: 7'-0" A.G.L.

EXISTING GRADE
ELEV: 0'-0" A.G.L.

2 PROPOSED TOWER ELEVATION
SCALE: 1/16" = 1'-0"

NOTE:
IT IS THE RESPONSIBILITY OF THE CONTRACTOR TO VERIFY, PRIOR TO THE ONSET OF CONSTRUCTION, THAT THE SUPPORTING STRUCTURE(S) AND MOUNTING SYSTEM(S) HAVE BEEN DEEMED STRUCTURALLY ADEQUATE BY A LICENSED PROFESSIONAL ENGINEER TO SUPPORT THE EXISTING AND PROPOSED EQUIPMENT AND ASSOCIATED CONSTRUCTION LOADS, INCLUDING BUT NOT LIMITED TO THOSE DEPICTED, HEREIN. THE CONTRACTOR SHALL ASSUME THE FULL-LIABILITY AND RISK ASSOCIATED WITH THE INSTALLATION OF THE PROPOSED EQUIPMENT AND/OR APPURTENANCES IF PERFORMED WITHOUT SAID PASSING STRUCTURAL ANALYSIS OR EVALUATION. IF THE RESULT OF THE ANALYSIS REQUIRES THE STRUCTURE BE STRENGTHENED OR MODIFIED; SUCH MODIFICATIONS SHALL BE PROPERLY INSTALLED AND COMPLETED PRIOR TO THE ONSET OF CONSTRUCTION.



PROPOSED (6) 3/4" DC POWER (3) 3/8" FIBER (4) 2 1/4" INNER DUCT CABLES

EXISTING 99'-0" MONOPOLE EXTENDED BY 20'-0" (119'-0" A.G.L.)

PROPOSED ICE BRIDGE

PROPOSED 8'-6" X 4'-2" WUC MODEL# ESOF030-HCU01. SEE WUC DETAILS ON SHEET C-7

C.L. OF EXISTING MONOPOLE PORT
ELEV: 7'-0" A.G.L.

EXISTING GRADE
ELEV: 0'-0" A.G.L.

GRAPHIC SCALE: 1/16"=1'-0"

PREPARED BY:

nexius

NEXIUS SOLUTIONS, INC.
2595 NORTH DALLAS PARKWAY
SUITE 300
FRISCO, TX 75034

CLIENT:

161 INVERNESS DR W, 2ND FLOOR
ENGLEWOOD, COLORADO 80112

FOR INFORMATION ONLY

PRELIMINARY DOCUMENTS

THESE DOCUMENTS ARE RELEASED FOR THE PURPOSE OF REVIEW UNDER THE AUTHORITY OF JACK T. PHIPPS ON 02/14/20.

THEY ARE NOT TO BE USED FOR CONSTRUCTION, BIDDING, RECORDATION, CONVEYANCE, SALES OR AS THE BASIS FOR ISSUANCE OF A PERMIT.

- JACK T. PHIPPS, P.E.
- COLORADO PROFESSIONAL ENGINEER REGISTRATION NUMBER PE-0054130. RENEWAL DATE 10/31/2021.
- NEXIUS SOLUTIONS, INC.

THIS DOCUMENT IS THE DESIGN PROPERTY AND COPYRIGHT OF NEXIUS AND FOR THE EXCLUSIVE USE BY THE TITLE CLIENT. DUPLICATION OR USE WITHOUT THE EXPRESS WRITTEN CONSENT OF THE CREATOR IS STRICTLY PROHIBITED.

SUBMITTALS

REV	DATE	DESCRIPTION	BY
A	01/02/20	FOR REVIEW	RA
B	02/14/20	FOR REVIEW	RA

SITE INFORMATION:

SITE NAME:
NSB-CO.BDN_ADD_4591_COL02148_Peyton

SITE NUMBER:
COL02148

FA LOCATION CODE:
12871723

PAGE ID:
MRUTH029076

ADDRESS:
12960 PEYTON HWY
PEYTON, CO 80831

PROJECTS:
LTE 1C 2C 3C 4C 5C 6C

DRAWN BY: RA DATE: 01/02/20

CHECKED BY: RA DATE: 02/14/20

SHEET TITLE:
TOWER ELEVATION

SHEET NUMBER:
C-4