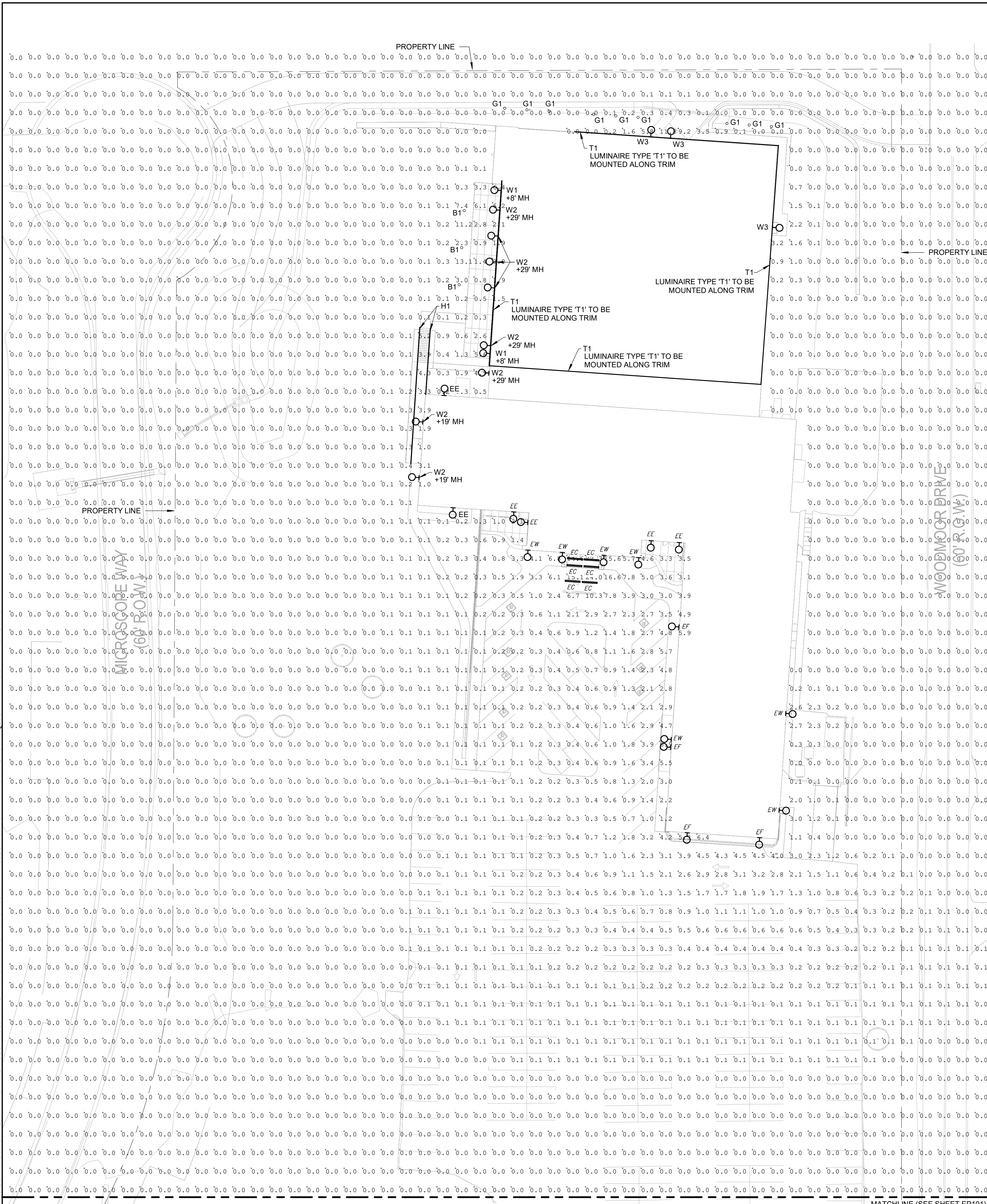


ALL DRAWINGS, SPECIFICATIONS AND COPIES THEREOF ARE AND SHALL REMAIN THE PROPERTY OF THE ARCHITECT. THEY ARE TO BE USED ONLY WITH RESPECT TO THIS PROJECT AND ARE NOT TO BE USED ON ANY OTHER PROJECT OR EXTENSIONS TO THIS PROJECT, EXCEPT BY WRITTEN AGREEMENT AND APPROPRIATE COMPENSATION TO THE ARCHITECT. SUCH DOCUMENTS ARE TO BE RETURNED OR SUITABLY ACCOUNTED FOR BY THE ARCHITECT AT THE COMPLETION OF WORK.



GENERAL NOTES

A. ALL EXTERIOR LIGHTING FIXTURES SHALL BE FULL CUT-OFF.

B. ALL EXTERIOR LIGHTING FIXTURES SHALL BE ON A TIMER TO BE TURNED OFF ONE HOUR AFTER BUSINESS HOURS AND TURNED ON ONE HOUR BEFORE BUSINESS HOURS.

C. PARKING LOT LIGHTING WILL BE DESIGNED AND SPECIFIED IN FUTURE PHASE OF SITE DEVELOPMENT.

Provide details regarding the agreed upon improvements to be installed by the private contractor. (Ex: Preliminary design alongside agreement with contractor.) Redacting financial info is fine, but Planning needs to verify that parking lot islands, landscaping, and lighting will be brought into compliance.

STATISTICS

DESCRIPTION	SYMBOL	AVG	MAX	MIN	MAX/MIN	AVG/MIN
SIDE ENTRANCE WALKWAY	+	2.2 FC	6.0 FC	0.1 FC	64.00 FC	21.70 FC
ENTRANCE PARKING LOT	+	1.4 FC	7.0 FC	0.2 FC	69.00 FC	13.60 FC
EXISTING CANOPY	+	14.7 FC	24.0 FC	7.0 FC	3.58 FC	2.19 FC
ADDITIONAL PARKING	+	0.2 FC	5.0 FC	0.0 FC	N.A.	N.A.

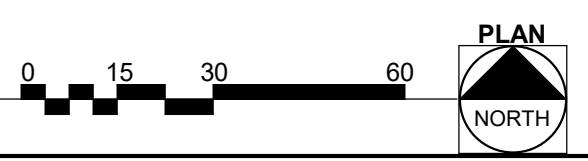
LUMINAIRE SCHEDULE

TYPE	MANUFACTURER	LUMINAIRE SERIES	SOURCE (TYPE/COLOR TEMP/CRI)	VOLTAGE	LOAD (VA)	LUMEN OUTPUT	FINISH	MOUNTING	DESCRIPTION
B1	KIM LIGHTING	PA7R IMPACT	LED / 4000K / 70 CRI	120 V	22	2000	MATTE BLACK	BOLLARD	44.5" H x 7" DIAMETER ROUND BOLLARD WITH CROWNED TOP, NO UP LIGHT, TYPE V DISTRIBUTION
EC	EXISTING	EXISTING	--	120 V	--	--	--	--	EXISTING CANOPY LUMINAIRE
EE	EXISTING	EXISTING	--	120 V	--	--	--	--	EXISTING EMERGENCY WALL PACK
EF	EXISTING	EXISTING	--	120 V	--	--	--	--	EXISTING METAL HALIDE FLOODLIGHT
EW	EXISTING	EXISTING	--	120 V	--	--	--	--	EXISTING WALL PACK
G1	KIM LIGHTING	LIGHT VAULT	LED / 4000K / 70 CRI	120 V	44	3835	BLACK	GROUND	13" DIAMETER FLAT FRAME INGRADE IP68 RATED WITH WALL WASH DISTRIBUTION, 36 LEDs, AND PRISMATIC LENS
H1	KLIK USA	LEDPOD 40	LED / 4000K / 70CRI	120 V	2	123	N/A	HANDRAIL	HANDRAIL LIGHTING WITH ASYMMETRIC DISTRIBUTION, AND CLEAR LENS IP66 RATED
T1	BEULUX	MADRID 120V	LED / 4000K / 70CRI	120 V	7W/FT	500/FT	N/A	SURFACE	LINEAR IP65 TAPE, EXTRUSION (BA02) & CLEAR LENS. CONTRACTOR TO DRILL WEAP HOLE IN EXTRUSION EVERY 12" WHEN MOUNTING @ INSTALL. CONTRACTOR TO COORDINATE EXACT LENGTHS PRIOR TO ORDER; FACTORY LENGTHS ONLY.
T1 ALT	BEULUX	MADRID RGBW 120V	LED / 4000K / 70CRI	120 V	4W/FT	500/FT	N/A	SURFACE	LINEAR IP65 TAPE, EXTRUSION (JK02) & CLEAR LENS. CONTRACTOR TO DRILL WEAP HOLE IN EXTRUSION EVERY 12" WHEN MOUNTING @ INSTALL. CONTRACTOR TO COORDINATE EXACT LENGTHS PRIOR TO ORDER; FACTORY LENGTHS ONLY.
W1	KIM LIGHTING	CY2 SERIES	LED / 4000K / 70 CRI	120 V	30	2507	BLACK SMOOTH	SURFACE	WALL MOUNT, UP/DOWN, RADIUS/CURVED, FULL PANEL PAINTED, SCENCE, MATCH EXISTING PH1 FIXTURES
W2	OXYGEN	TORRE	LED / 3000K / 90 CRI	120 V	42	4000	BLACK	SURFACE	50" SCENCE WITH SOLID FACE AND SIDES MODIFIED WITH DOWNLIGHT BEAM
W3	CURRENT LIGHTING	VIPER WALL	LED / 4000K / 70 CRI	120 V	15	1857	BLACK MATTE	SURFACE	WALL MOUNT SCENCE, TYPE 3 DISTRIBUTION

NOTES:

- REMOVE ALL FINGER PRINTS FROM LENSES, REFLECTORS, AND LOUVERS FOLLOWING LUMINAIRE INSTALLATION.
- FOR CONTINUOUS LUMINAIRES COORDINATE WITH SUPPLIER ON LENGTH AND REQUIRED FITTINGS, AND INSTALL WITH UNIFORM ILLUMINATION ALONG LUMINAIRE INCLUDING CORNERS.
- FOR APPROVAL OF LUMINAIRES FROM MANUFACTURERS OTHER THAN THOSE LISTED, PROPOSED LUMINAIRES SHALL BE SUBMITTED TO THE ARCHITECT/ENGINEER TEN BUSINESS DAYS PRIOR TO BID FOR REVIEW. FINAL DETERMINATION OF "EQUAL" STATUS FOR BIDDING SHALL BE THE SOLE DETERMINATION OF THE ARCHITECT/ENGINEER.
- PROVIDE ALL HOLLOW POLES WITH VIBRATION DAMPERS BY THE FACTORY.

1 ELECTRICAL SITE PLAN
SCALE: 1" = 30'-0"



KEYS + LAUER ARCHITECTS

11681 VOYAGER PKWY, #200
COLORADO SPRINGS, CO 80921
(719) 634-3751
www.KeysLauerArchitects.com

Farnsworth GROUP
1775 MARK SHAWING BLVD., SUITE 200
COLORADO SPRINGS, COLORADO 80919
(719) 590-9254 / info@fsw.com

The Ascent Church Addition and Remodel
1750 Deer Creek Rd
Monument, CO 80132

REVISIONS:	DATE	DESCRIPTION
#		

PROJECT #: 2505
ISSUE DATE: 02/02/2026
ISSUED FOR: PLANNING

DRAWN BY: GOR
CHECKED BY: AV
COPYRIGHT © 2025

SHEET TITLE:
PHOTOMETRIC SITE PLAN

SHEET #:
EP100

C:\Revit Local Files\E_Ascent Church Site Photometrics - 02600246.001_grobensz7\M8W.rvt

ALL DRAWINGS, SPECIFICATIONS AND COPIES THEREOF ARE AND SHALL REMAIN THE PROPERTY OF THE ARCHITECT. THEY ARE TO BE USED ONLY WITH RESPECT TO THIS PROJECT AND ARE NOT TO BE USED ON ANY OTHER PROJECT OR EXTENSIONS TO THIS PROJECT, EXCEPT BY WRITTEN AGREEMENT AND APPROPRIATE COMPENSATION TO THE ARCHITECT. SUCH DOCUMENTS ARE TO BE RETURNED OR SUITABLY ACCOUNTED FOR BY THE ARCHITECT ON REQUEST AT THE COMPLETION OF WORK.

TYPE - 'H1'

2840 N Brookfield Rd, Suite 3
Brookfield, WI 53045
PH: 262.505.5124
sales@klikusa.com www.klikusa.com

Project Name: _____ Location: _____

Specifier: _____ Rep Agency: _____

Fixture Type: _____ Product Code: _____

KLIK LEDpod™ 40 Patented

DESCRIPTION
Discrete, seamless point source LED fixture for use in all code-compliant handrail, especially curving ramps and helical stairs as well as long runs on bridges and pedestrian paths. Asymmetric optic allows mounting at rail nadir, eliminating uncomfortable glare issues. Typical spacing between LEDpods on stairs is 24", and on level runs is 48".

HOUSING
Aluminum body has a fine 25-micron finish and is then hard-coat anodized, thus preventing galvanic corrosion. Silicone gasket seals the installation from water ingress and provides added means of electrical isolation to minimize potential for galvanic reaction.

MOUNTING
Patented attachment method offers unparalleled security and ease of mounting. Requires only a simple drilled hole in railing material. All conductors remain internal to railing to provide secure and safe wiring. IK10 impact rating ensures vandal resistance.

- Tube Size: Ø 1.5" x 1.75", Max. wall .2"
- Other sizes available upon request.
- Out. Cut: 25mm
- Must use a 25mm annular cutter (NOT a 1" cutter).

ELECTRICAL/LED DRIVER

- Input Voltage: 24 VDC
- Driver: Must use class 2 driver
- Primary Driver: 110 - 277 VAC UL Listed Constant Voltage
- Secondary Driver: 350 - 700mA Constant Current (provided with fixture)
- Control: 0-10V, DALI, DMX
- DMX control for dimming only, not for individually addressed LEDs
- Enclosure: Minimum NEMA2 for indoor, NEMA 3R for outdoor
- Wire connectors provided; factory pre-wire available, consult factory

ETL listed UL 1598/CSA 22.2, CE

Weatherproof Rating: IP66
Wet location rated

Impact resistance: IK10

LED Operating Temp: -40°F - 160°F

3G Vibration per MIL-STD-810G

Wildlife friendly

International Dark Sky Association Certified Amber 6 3000K

* All IP Rated luminaires are tested to ASAS29-2004 Degree of protection provided by enclosures (IP Code)

TYPE - 'G1'

LTV81 INGRADE

DATE: _____ LOCATION: _____

TYPE: _____ PROJECT: _____

CATALOG #: _____

LIGHTVAULT®

FEATURES

- Sealed P68 LED light engine
- Bluetooth connectivity for remote control aiming and dimming
- Free Mobile App for Android and iOS
- Easy to install and pair devices
- Advanced thermal management provides long life in excess of 100,000+ hours
- Runs cool to the touch - less than 40°C

CONTROL TECHNOLOGY

Bluetooth

SPECIFICATIONS

HOUSING:

- Pour Box rough-in housing for installation below grade
- High temperature UV resistant thermal plastic, 3/16" minimum wall, black
- Includes a splice box with molded plastic splice cover and silicone gasket
- Three 1" NPT in bottom for wiring through on LTV81 and LTV82
- Two 1" NPT in bottom for through wiring on LTV83, 107 cu. in. splice area for LTV81
- 52 cu. in. splice area for LTV82, 24 cu. in. splice area for LTV83
- Rough-in housing supplied with a protective aluminum debris shield and includes an orientation label for proper installation alignment. This allows for clean and easy installation in concrete pad or soil. Pour Box can be shipped separately as a quick-ship requested.
- One-piece impregnated cast bronze component module is fully sealed and secured to the face from the underside
- A high temperature, anti-siphon, IP68 sealed cable extends from the component module to the splice box inside the housing
- The fully assembled component module is secured to the housing with (4) 1/2" 20 temperature resistant and high grade stainless steel fasteners
- One-piece cast bronze lens ring fastens to the component module from the underside and provides a flat surface
- Grip Resistant Lens (SR) and Rebar Cage (RCAS)
- When installed in concrete, fixture will withstand drive-over by vehicles weighing up to 4,500 lb.

OPTICS

- Spot (SP), Narrow Flood (NF), and Wall Wash (WW) optical modules are adjustable up to 15° utilizing a Bluetooth enabled motor assembly
- Clear 5/16" thick tempered glass lens and silicone gasket is retained securely within the component module

ELECTRICAL

- All electronic components are UL and CSA recognized and are mounted directly to the component module for maximum heat dissipation and modularity. Driver is IP67 with 30°C minimum temperature rating
- Product comes standard with a UL Recognized 30kA surge protector

CONTROLS

- Standard features dimming range is from 10% to 100% and is compatible with 0-10V, user-defined, control devices

BLUETOOTH (CONTINUED)

- Bluetooth Apps are available for Apple iOS and Google Android mobile devices and are downloadable via the Internet at Apple App Store or Google Play
- Fixtures must be grounded in accordance with national, state and/or local electrical codes. Failure to do so may result in serious personal injury.

CERTIFICATIONS AND LISTINGS

- Listed to UL1598 and UL18750 25°C ambient operation
- SASO Certified for LTV82/83
- IP68 rated
- IEC 64262 Mechanical Impact Code IK09
- CISPR 16 Compliant, per product standard EN 55015:2013
- RoHS compliant

WARRANTY

- 5 year warranty

KEY DATA

Lumen Range	988 - 3878
Wattage Range	14 - 44
Reported Life (Hours)	170,600,000

Current

© 2022 KLIK Lighting, Inc. All rights reserved. All materials and specifications subject to change without notice. All values are design or typical values when measured under laboratory conditions.

TYPE - 'B1'

PA7R IMPACT RATED BOLLARD

DATE: _____ LOCATION: _____

TYPE: _____ PROJECT: _____

CATALOG #: _____

Pavilion Impact

FEATURES

- ASTM F3016 S20 Impact Rated
- Elegant form factor blended with Performance Optics
- 44" OAH S20 Impact Rated Illuminated and Non-Illuminated Bollards
- IDA Dark Sky Compliant, No Up light configuration
- Bluetooth enabled RGBW accent

CONTROL TECHNOLOGY

Bluetooth DMX

SPECIFICATIONS

CONSTRUCTION

HOUSING:

- Castings are low copper aluminum alloy die cast
- Gaskets are molded silicone to prevent harmful ingress to the lamp and driver compartments
- Aluminum shaft to slide over 60" steel post that provides strength to resist impact. Steel post is centered utilizing a stress bracket, that allows for even distribution of concrete around the post, and further reinforced by a rebar cage
- Steel Post is a schedule 40 galvanized steel pipe with 6.625" OD
- IP65 rated

OPTICS (CONTINUED)

- UD configurations have an optically clear flat tempered glass lens, all other configurations have either an optically clear or high transmission diffused acrylic lens

INSTALLATION

- Fixtures must be grounded in accordance with national, state and/or local electrical codes. Failure to do so may result in serious personal injury
- Universal voltage, 120 through 277V with a 10% tolerance. Driver is Underwriters Laboratories listed
- "Thermal Shield", secondary side, thermistor provides protection for the sustainable life of LED module and electronic components
- Drivers are greater than a 0.9 power factor, less than 20% harmonic distortion, and are suitable for operation in -40°C to 40°C ambient environments
- Luminaire is capable of operating at 100% brightness in a 40°C environment. Both driver and optical array have integral thermal protection that will dim the luminaire upon detection of temperatures in excess of 85°C

ELECTRICAL

- High voltage configurations, 347/480V. Driver is Underwriters Laboratories listed
- "Thermal Shield", secondary side, thermistor provides protection for the sustainable life of LED module and electronic components
- Drivers are greater than a 0.9 power factor, less than 20% harmonic distortion, and are suitable for operation in -40°C to 40°C ambient environments
- Luminaire is capable of operating at 100% brightness in a 40°C environment. Both driver and optical array have integral thermal protection that will dim the luminaire upon detection of temperatures in excess of 85°C

SHAFT:

- Aluminum shaft is .125" thick extruded aluminum 6061 alloy
- American Society of Testing and Materials ASTM F3016 "Standard Test Method for Surrogate Testing of Vehicle Impact Protective Devices at Low Speeds" S20 Rated, which safely stops a 5,000 lb vehicle impacting the system at up to 20 mph

OPTICS

- LEDs mount to a metal printed circuit board assembly (MCPCB)
- Optical lenses are clear injection molded PMMA acrylic

Weight

PA7R	34 lbs / 15.4 kg
------	------------------

Controls

- Standard features dimming range is from 10% to 100% and is compatible with 0-10V, user-defined, control devices

SHIELDING

- Standard Input: Black (I)
- White (N)
- Green (GND)
- Plus Dimming Lead (L)
- Minus Dimming Lead (L)
- Future Wiring

(Specifications continued on page 3)

Current

© 2022 KLIK Lighting, Inc. All rights reserved. All materials and specifications subject to change without notice. All values are design or typical values when measured under laboratory conditions.

TYPE - 'T1-ALT'

Madrid - 120V RGBW LED Flex Spec

BEULUX

Madrid is an architectural grade flexible tape light for direct 120 Volt input with integrated over-temperature protection. No driver needed, it connects directly to line voltage, with an open bare wire. Can be installed into extrusions or can be mounted directly to surfaces with mounting clips. MacAdam Step 3 binning.

IP65

NO DRIVER NEEDED

Dimensions:

- 0.49" (width)
- 0.93" (height)
- 1.14" (height)
- 0.54" (height)
- 1.97" (height)
- Maximum 164 ft
- Min cut = 1 ft = 60 LEDs

www.Beulux.com Jun-2025 Pg. 1

TYPE - 'T1'

Madrid - 120V LED Flex Specifications

BEULUX

Madrid is an architectural grade flexible tape light for direct 120 Volt input with integrated over-temperature protection. No driver needed, it connects directly to line voltage, with an open bare wire. This enables run lengths up to 164 ft for L300 series and 66 ft for L500 series. Dimmable via ELV dimmer (Lutron SELV-300P-WH & Halo HIWMA). Can be installed into extrusions or can be mounted directly to surfaces with mounting clips. MacAdam Step 3 binning.

IP65

NO DRIVER NEEDED

Dimensions:

- 0.26" (width)
- 0.93" (height)
- 0.54" (height)
- 0.61" (height)
- 2" (height)
- maximum 164 ft
- 4" cut increment = 6 LEDs
- minimum 66 ft
- 3" cut increment = 7 LEDs

Min. Bending Diameter 3.9"

www.Beulux.com Jul-2022 Pg. 1

KEYS + LAUER ARCHITECTS

11681 VOYAGER PKWY, #200
COLORADO SPRINGS, CO 80921
(719) 634 - 3751
www.KeysLauerArchitects.com

Farnsworth GROUP

1775 MARK DRABING BLVD, SUITE 200
COLORADO SPRINGS, COLORADO 80919
(719) 590-9254 / info@fng.com

www.fng.com
Interior | Architect | Lighting | Exterior

The Ascent Church Addition and Remodel

1750 Deer Creek Rd
Monument, CO 80132

REVISIONS:	DATE	DESCRIPTION
#		

PROJECT #: 2505
ISSUE DATE: 02/02/2026
ISSUED FOR: PLANNING
DRAWN BY: GOR
CHECKED BY: AV
COPYRIGHT © 2025

SHEET TITLE:
PHOTOMETRIC CUT SHEETS

SHEET #:
EP102

ALL DRAWINGS, SPECIFICATIONS AND COPIES THEREOF ARE AND SHALL REMAIN THE PROPERTY OF THE ARCHITECT. THEY ARE TO BE USED ONLY WITH RESPECT TO THIS PROJECT AND ARE NOT TO BE USED ON ANY OTHER PROJECT OR EXTENSIONS TO THIS PROJECT, EXCEPT BY WRITTEN AGREEMENT AND APPROPRIATE COMPENSATION TO THE ARCHITECT. SUCH DOCUMENTS ARE TO BE RETURNED OR SUITABLY ACCOUNTED FOR BY THE ARCHITECT ON REQUEST AT THE COMPLETION OF WORK.

TYPE - W2

KIMLIGHTING

CY2
ARCHITECTURAL AREA/SITE

FEATURES

- Integral Battery Backup Option
- 360° Light Distribution
- RGBW or Static White Luminous Front Option
- Multiple Fascia Options and Finishes
- 4G Vibration Tested

CONTROL TECHNOLOGY

Bluetooth DMX 512 pharos LIGHTGRID

SPECIFICATIONS

CONSTRUCTION

- Main housing around is made of fabricated 5052-H32 aluminum alloy
- Housing mounting interface has a stamped silicone gasket
- Luminaire housing is free of any visible heat fins, hardware or fasteners
- Backplate and hardware is stainless steel
- Luminaire finish consist of a five stage pretreatment regimen with a polymer primer sealer, oven dry off, and top coated with a thickest super TPC polyester powder coat finish
- Luminaire finish meets the AAMA 605.2 performance specification which includes passing a 3000 hour salt spray test for corrosion resistance

LED/OPTICS


- LEDs are mounted to a metal printed circuit board assembly (MCPCB) with a uniform conformal coating over the panel surface and electrical features
- Optical lenses is clear injection molded PMMA acrylic
- Optical array is recessed in order to shield each LED optic across the length of the aperture
- Optical array is sealed for IP66 rating
- Secondary lens is impact resistant 5/32" tempered glass

INSTALLATION

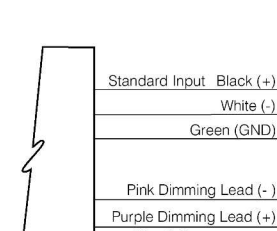
- JUNCTION BOX: Standard with zinc plated, quick-mount junction box plate that mounts directly to 4" J-Box
- Mounting plate features a one-piece EPDM gasket on back side of plate to firmly seat fixture to wall surface, forbidding entry of moisture and particulates

DATE _____ LOCATION _____
TYPE _____ PROJECT _____
CATALOG # _____

CYPHER™



Cyper 12"



ELECTRICAL (CONTINUED)

- Integral battery backup provides emergency path of egress lighting for the required 90 minutes for -20°C ambient environments
- Luminaires are capable of operating at 100% brightness in a 40°C environment. Both driver and optical array shall have integral thermal protection that will dim the luminaire upon detection of temperatures in excess of 85°C.

CONTROLS

- Button photocontrol for dusk to dawn energy savings
- Photocell is factory installed inside the housing with a fully gasketed sensor on the side wall. For multiple fixture mountings, one fixture is supplied with a photocell to operate the others. Photocell adapter shall include an internal twist lock receptacle. Photocell by others

INSTALLATION (CONTINUED)

- Fixture attaches by two Allen-head hidden fasteners for tamper resistance
- Optional mounting arrangements utilize a die-cast mounting adaptor to allow for surface conduit and through branch wiring
- Housing is able to hang freely in an open service position for inspection of internal wire connections. Once in service position, the housing shall be able to be removed for service by lifting the assembly up off the rear mounting plate and disconnecting the wiring plugs
- Driver assembly is mounted to a powdered internal tray with quick disconnects for removal

ELECTRICAL

- Drivers are in direct contact with the die-cast aluminum housing across the entire surface area of the widest face for maximum thermal transfer
- "Thermal Shield", primary side, thermistor provides protection for the sustainable life of LED module and electronic components
- Drivers have greater than a 0.9 power factor, less than 20% harmonic distortion, and be suitable for operation in -40°C to 40°C ambient environments
- Luminaires have integral surge protection that shall be UL recognized and have a surge current rating of 50,000 Amper using the industry standard B20/Sec wave and surge rating of 372J. Surge protection device shall be wired in series
- Drivers are 0-10V dimming control with a dimming range of 100%-10%. Drivers are UL listed. All luminaires shall accept 120-277 volt input and have integral surge protection "Thermal Shield", secondary side, thermistor provides protection for the sustainable life of LED module and electronic components
- Refer to page 5

continued on page 3

KEY DATA	
LUMEN RANGE	1906-5083
WATTAGE RANGE	26-52
EFFICACY RANGE (LPW)	67-109
WEIGHT	Refer to page 5

Page 1 of 8
Rev 09/2025
KL_CYP2_Spec_003

Current®


currentlighting.com/kimlighting
© 2025 HI Solutions, Inc. All rights reserved. Information and specifications subject to change without notice. All values are design or typical values when measured under laboratory conditions.

TYPE - W1'

TORRE 60" 5CCT Outdoor Wall Sconce
3-769-15

OXYGEN
BY QUORUM

FIXTURE TYPE _____ LOCATION _____
PROJECT _____ DATE _____



-15 Black

LIGHT SOURCE (1) 48 Watt LED Modules 90CRI

LUMINAIRE POWER 42W 1000mA

RATED LIFE 35000 RL

COLOR TEMPERATURES Field Selectable 2700/3000/4000/5000/6500 CCT
Note: Oxygen standard setting 3000K

LUMEN OUTPUT 4000 lm At 3000K

INPUT VOLTAGE 120 - 277V AC 50/60Hz

DRIVER OUTPUT 52W Max.

DIMMING TRIAC dimming at 120v

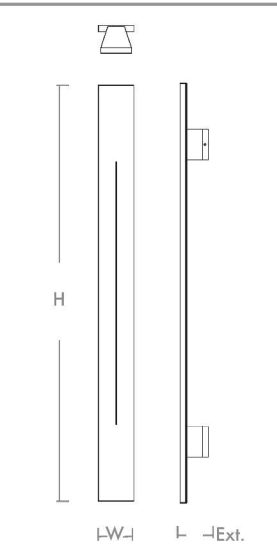
CONSTRUCTION Aluminum/PVC/Acrylic

DIFFUSER Acrylic

FINISHES -15 Black


MOUNTING Unit Mounts to a 4" Octagonal J-Box.

STANDARDS Wet Listed Certified Luminaire, Conforms to UL STD



DIMENSIONS

W: 5"
H: 58.875"
Ext.: 4"
M.C.: 8 5/8" To Top of Fixture



201 Railroad Road, Fort Worth, TX 76106 - Tel. (877) 607-0202 - www.oxygenlighting.com

TYPE - W3'

WALL & FAMILY

Beacon's Viper Family has expanded to include wall products in addition to area and flood luminaires. Complementing contemporary or traditional architecture, the Viper Wall is available in three sizes and a wide range lumen outputs and distributions to satisfy any application.

Viper Wall features a dense optical array which provides reduced pixelation and increased visual comfort without compromising performance. It is designed for sustained, long-term performance with advanced thermal management, an elegantly simple heat sink and industry leading surge protection.



VIPER WALL

WALL

BOLLARD FLOOD AREA/SITE

www.currentlighting.com/beacon - 3

Size	VPW1	VPW2	VPW3
Lumens	1000-3000	2,000-8,000	7,000-20,000
Watts	10-25	15-70	45-165
LPW	100-120	108-133	108-165
CCT	2700K, 3000K, 3500K, 4000K, 5000K, Amber		
Distributions	2, 3, 4E, 4W		
IP Rating	IP65		
Legacy Equivalence	42W-075W	175-250W	175W-400W

KEYS + LAUER
ARCHITECTS

11681 VOYAGER PKWY, #200
COLORADO SPRINGS, CO 80921
(719) 634 - 3751
www.KeysLauerArchitects.com

Farnsworth
GROUP

1775 MARK DRABING BLVD., SUITE 100
COLORADO SPRINGS, COLORADO 80919
(719) 590-9254 / info@f-w.com

www.f-w.com
Interior | Exterior | Lighting | Graphics

The Ascent Church
Addition and Remodel

1750 Deer Creek Rd
Monument, CO 80132

#	REVISIONS:	DESCRIPTION	DATE

PROJECT #: 2505
ISSUE DATE: 02/02/2026
ISSUED FOR: PLANNING

DRAWN BY: GOR
CHECKED BY: AV
COPYRIGHT © 2025

SHEET TITLE:
PHOTOMETRIC CUT SHEETS

SHEET #:
EP103