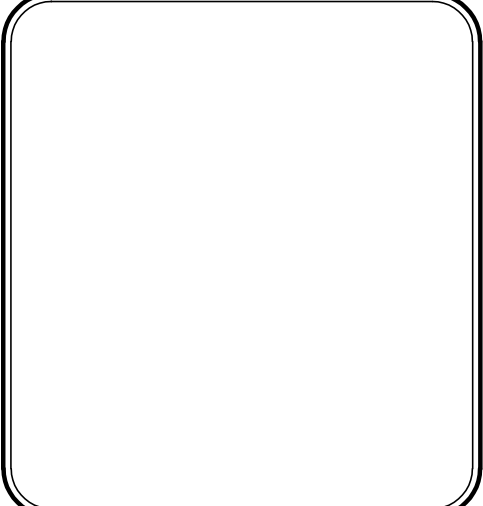


KEY NOTES	
①	- PREFINISHED 26 GA. "PBR" METAL WALL PANELS BY METAL BUILDING PROVIDER
②	- PREFINISHED 26 GA. "PBR" METAL ROOF PANELS BY METAL BUILDING PROVIDER
③	- PREFINISHED GUTTER & DOWNSPOUTS BY METAL BUILDING PROVIDER
④	- WALL PACK LIGHT (TOP OF LIGHT @ 1'-6" A.F.F. - REFER TO PHOTOMETRIC PLAN - PG 4 OF 13)
⑤	- SEE SCHEDULES ON A41 FOR ALL DOOR & WINDOW INFORMATION
⑥	- RETAINING WALL

**HAMMERS CONSTRUCTION INC.**  
 COMMERCIAL GENERAL CONTRACTORS SPECIALIZING IN DESIGN/BUILD  
 PRESIDENT: STEVE R. HAMMERS  
 VICE PRES: DAVID J. HAMMERS  
 1411 WOOLSEY HEIGHTS  
 COLORADO SPRINGS, CO 80915  
 (719) 570-1589 FAX (719) 570-7008  
 www.hammersconstruction.com

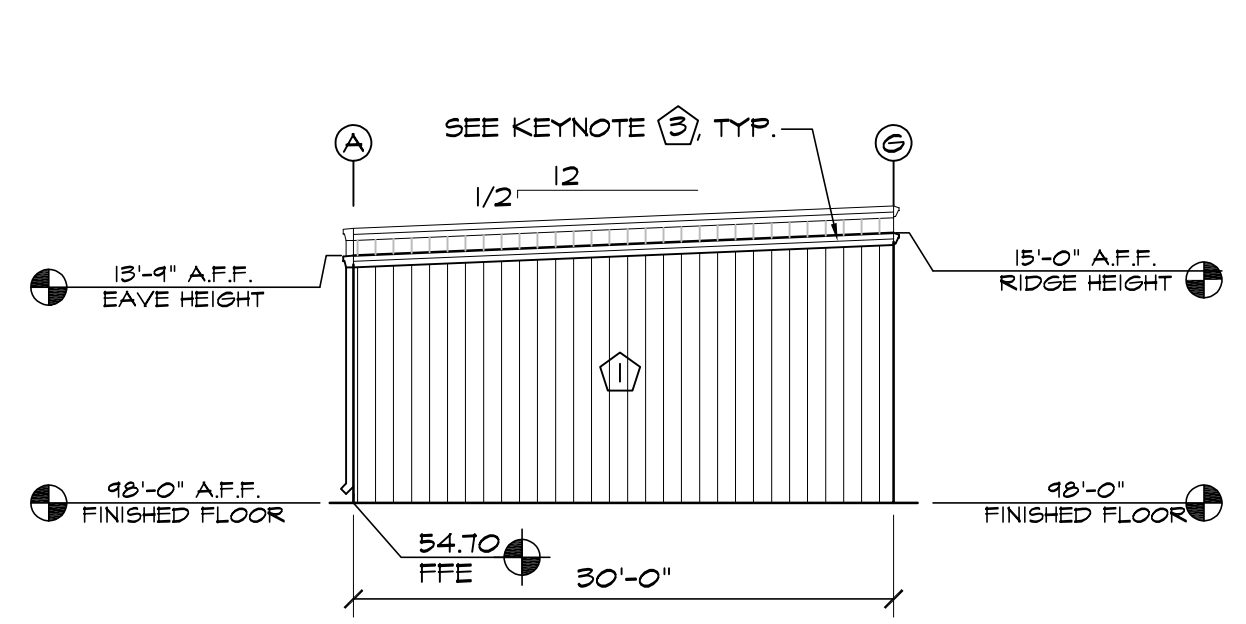
THIS DRAWING CONTAINS MATERIAL & INFORMATION WHICH MAY NOT BE REPRODUCED WITHOUT WRITTEN CONSENT OF HAMMERS CONSTRUCTION INC. THESE DRAWINGS ARE INTENDED TO BE USED ONLY BY HAMMERS CONSTRUCTION & ITS REPRESENTATIVES. THESE DRAWINGS HAVE NOT BEEN PREPARED FOR ANY OTHER PURPOSE THAN TO INDICATE THE GENERAL FEATURES AND PLACEMENT OF THE PROPOSED PROJECT. COPYRIGHT © 2017 HAMMERS CONSTRUCTION

**MEADOWBROOK STORAGE**  
 LOT 45-2  
 1403 WOOLSEY HTS.  
 COLORADO SPRINGS, CO 80915  
 EL PASO COUNTY, COLORADO

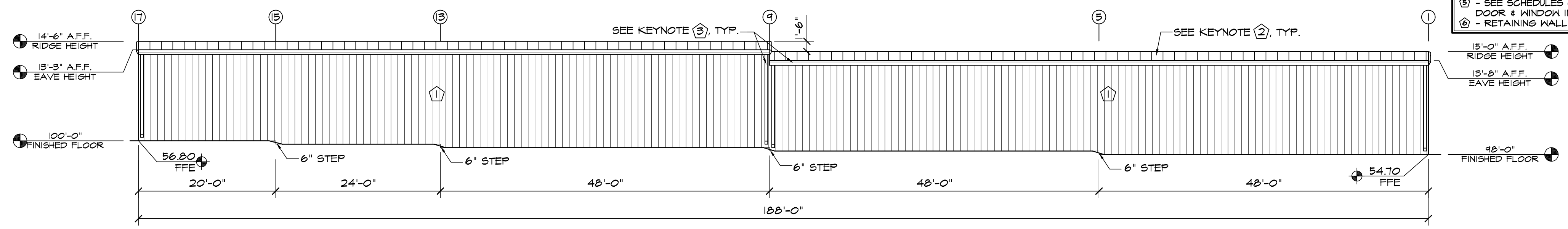


DATE: APR 25, 2017  
 DRAWN BY: D. AGUIÑO  
 PROJ. MGR: Y. DYACHENKO  
 SCALE: SEE PLAN  
 APPROVED BY:  
 JOB NO: 1028

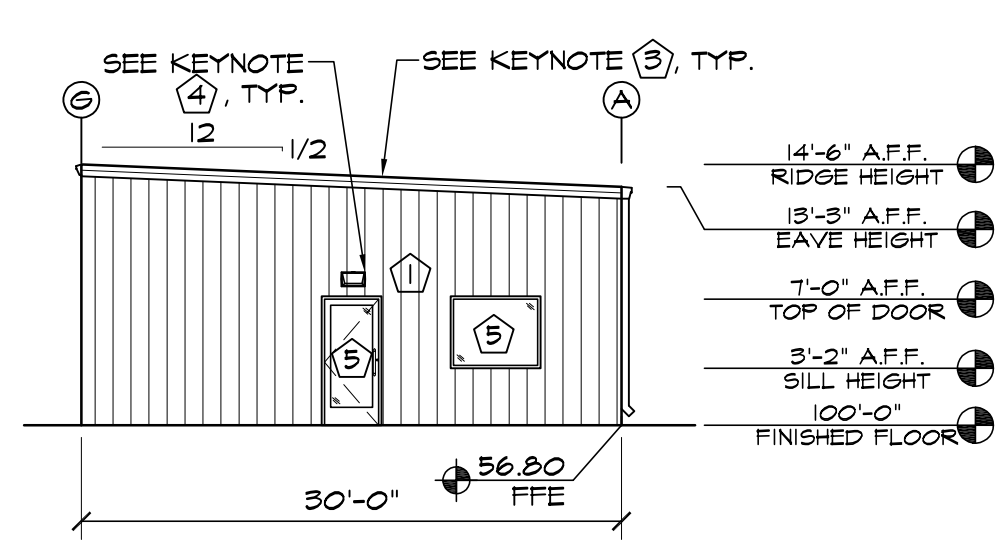
REVISIONS:	
△	5/31/17 - COMMENTS 2/18/17
△	1/5/21 - COMMENTS 6/2/17
△	
△	
△	



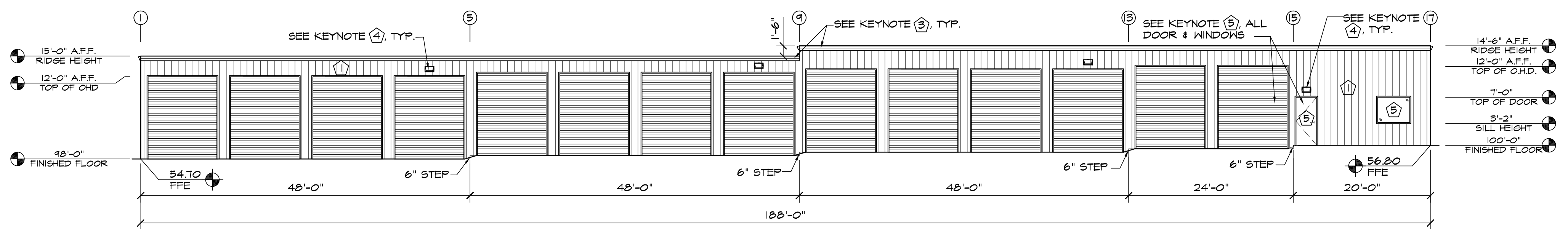
4 WEST ELEVATION  
 SCALE: 3/32"=1'-0"  
 BUILDING 'A'



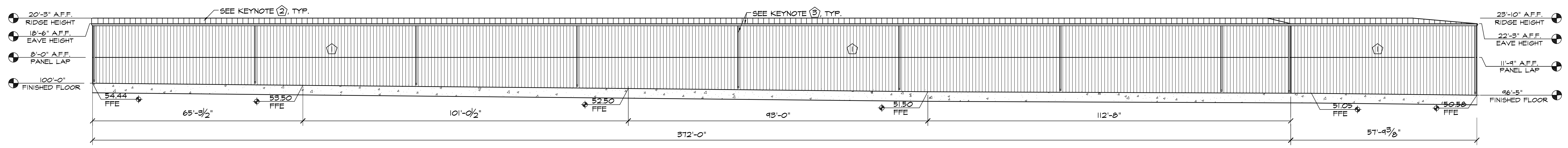
5 NORTH ELEVATION  
 SCALE: 3/32"=1'-0"  
 BUILDING 'A'



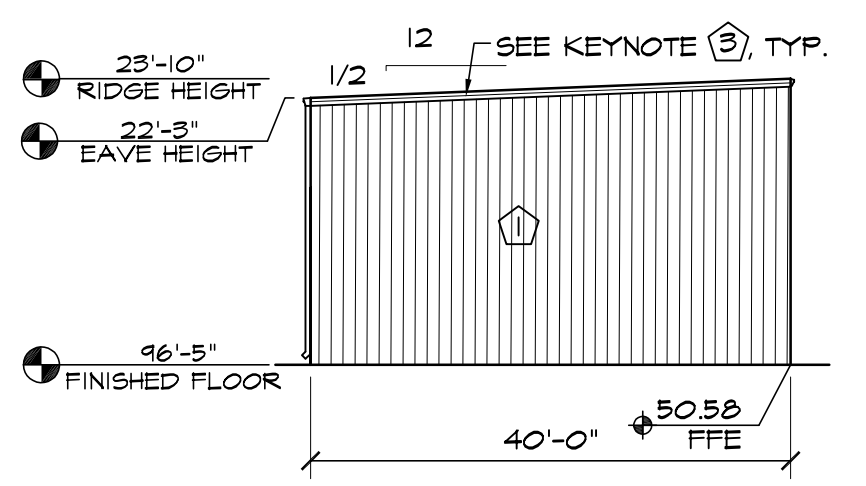
3 EAST ELEVATION  
 SCALE: 3/32"=1'-0"  
 BUILDING 'A'



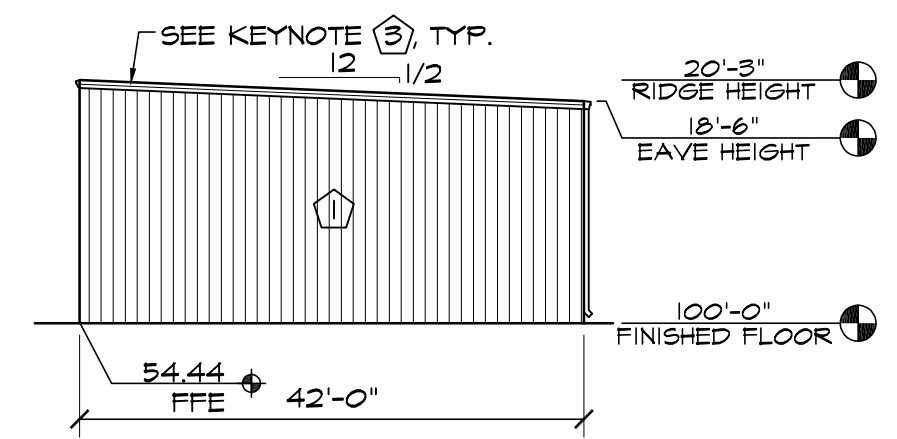
2 SOUTH ELEVATION  
 SCALE: 3/32"=1'-0"  
 BUILDING 'A'



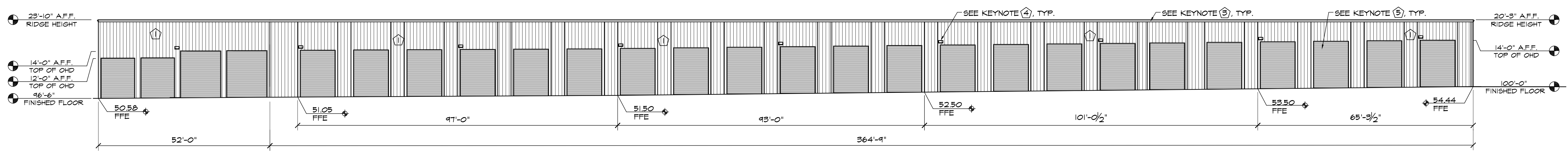
3 WEST ELEVATION  
 SCALE: 1/16"=1'-0"  
 BUILDING 'B'



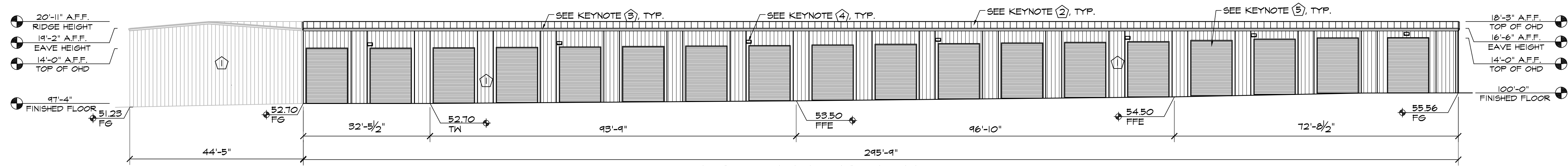
5 SOUTH ELEVATION  
 SCALE: 1/16"=1'-0"  
 BUILDING 'B'



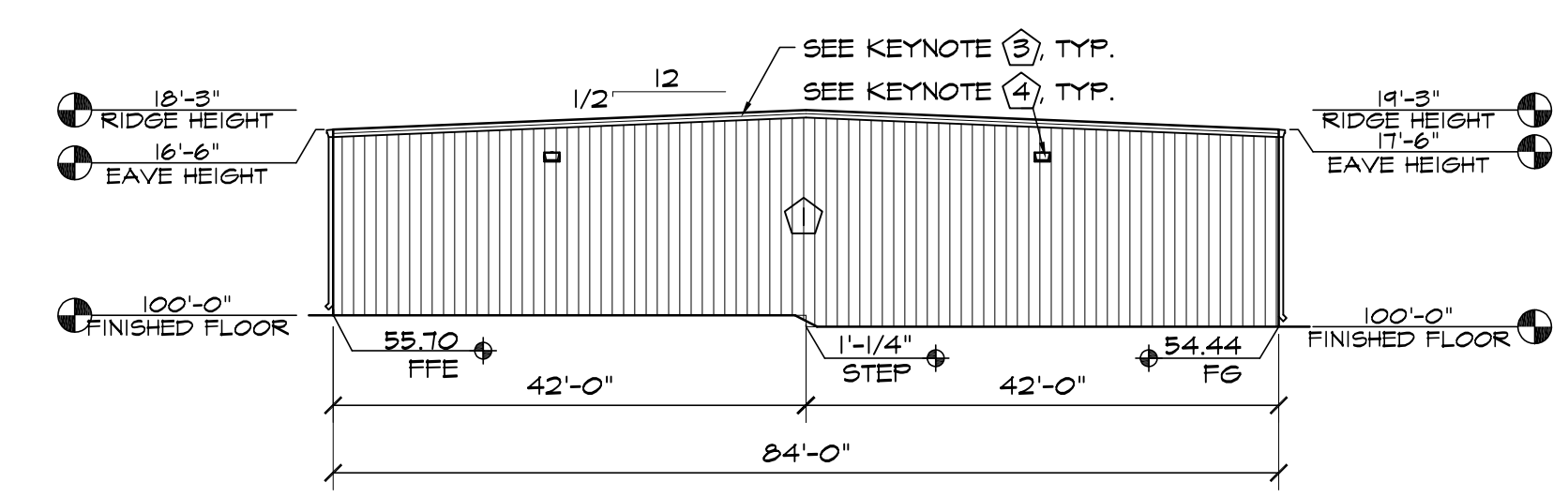
4 NORTH ELEVATION  
 SCALE: 1/16"=1'-0"  
 BUILDING 'B'



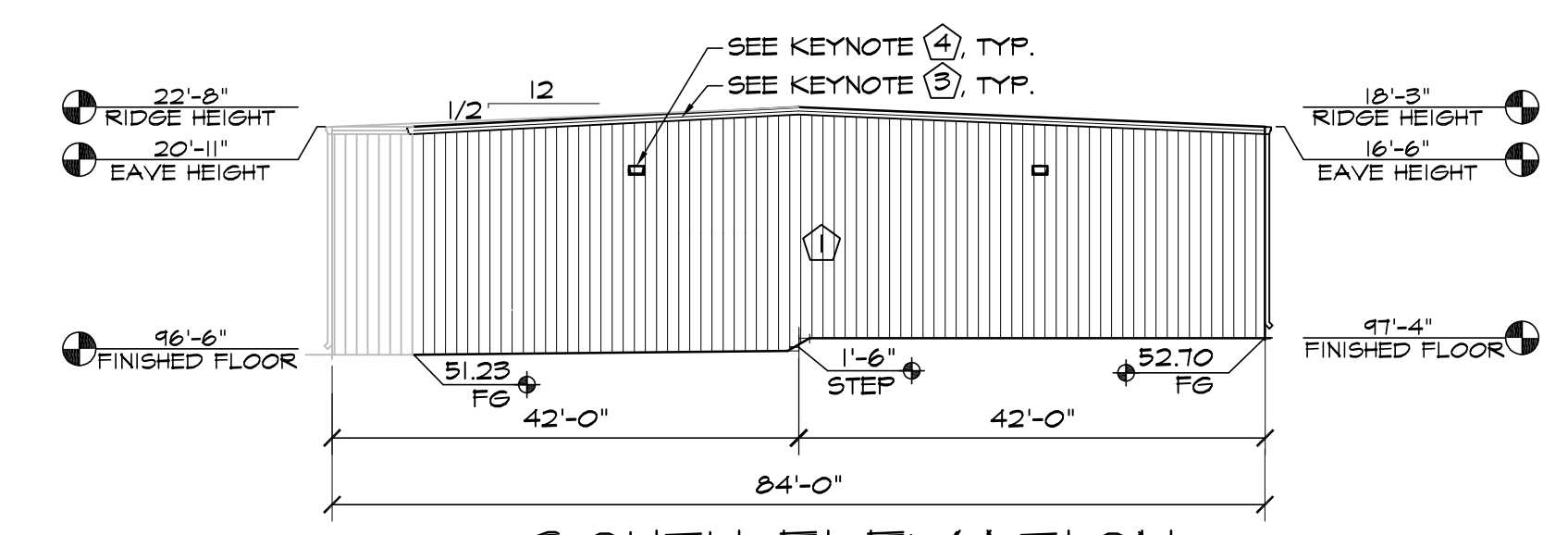
2 EAST ELEVATION  
 SCALE: 1/16"=1'-0"  
 BUILDING 'B'



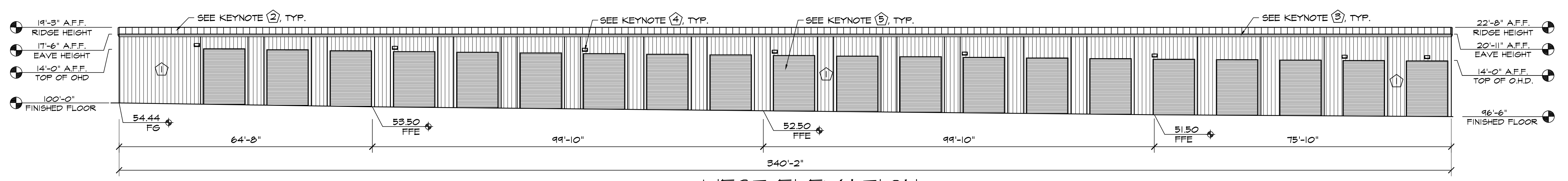
2 EAST ELEVATION  
SCALE: 1/16"=1'-0"  
BUILDING C



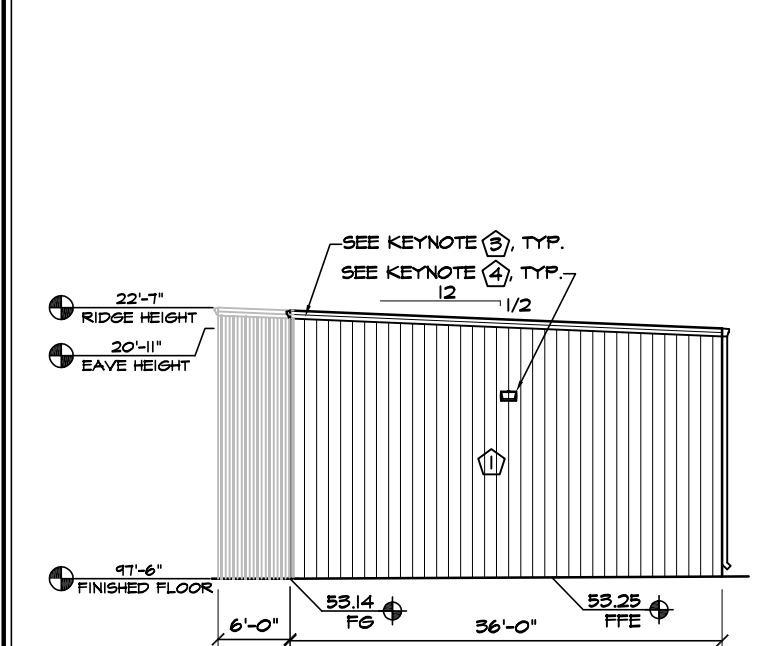
4 NORTH ELEVATION  
SCALE: 1/16"=1'-0"  
BUILDING C



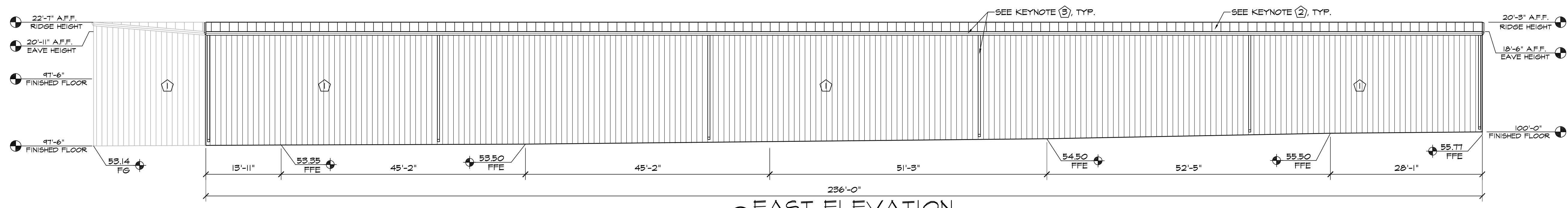
5 SOUTH ELEVATION  
SCALE: 1/16"=1'-0"  
BUILDING C



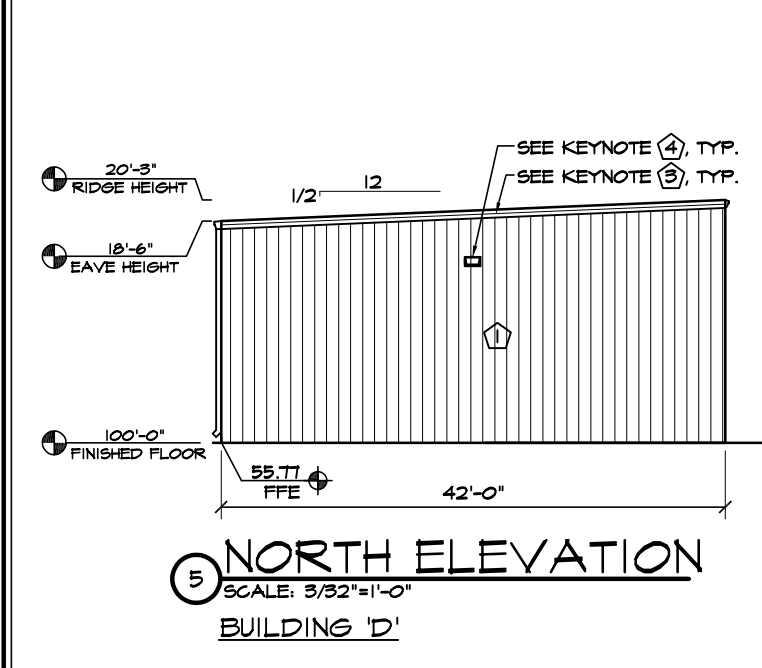
3 WEST ELEVATION  
SCALE: 1/16"=1'-0"  
BUILDING C



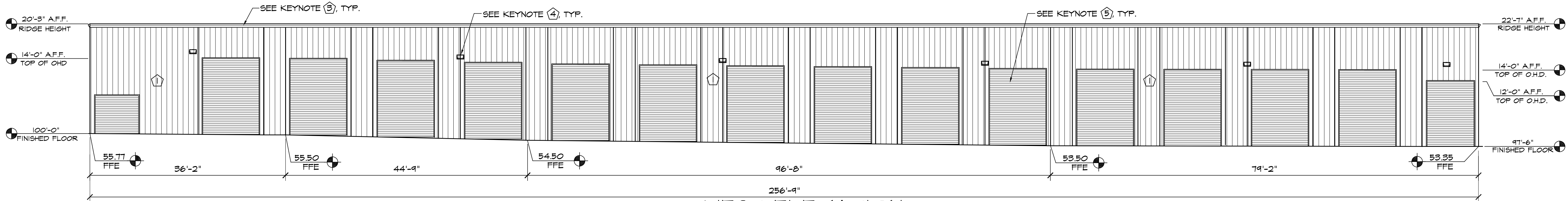
4 SOUTH ELEVATION  
SCALE: 3/32"=1'-0"  
BUILDING D



3 EAST ELEVATION  
SCALE: 3/32"=1'-0"  
BUILDING D



3 NORTH ELEVATION  
SCALE: 3/32"=1'-0"  
BUILDING D



2 WEST ELEVATION  
SCALE: 3/32"=1'-0"  
BUILDING D

- KEY NOTES**
- 1 - PREFINISHED 26 GA. "PBR" METAL WALL PANELS BY METAL BUILDING PROVIDER
  - 2 - PREFINISHED 26 GA. "PBR" METAL ROOF PANELS BY METAL BUILDING PROVIDER
  - 3 - PREFINISHED GUTTER & DOWNSPOUTS BY METAL BUILDING PROVIDER
  - 4 - WALL PACK LIGHT (TOP OF LIGHT @ 7'-6" AFF. REFER TO PHOTOMETRIC PLAN - PG 9 OF 13)
  - 5 - SEE SCHEDULES ON A4.1 FOR ALL DOOR & WINDOW INFORMATION
  - 6 - RETAINING WALL

**HAMMERS CONSTRUCTION INC.**  
COMMERCIAL GENERAL CONTRACTORS SPECIALIZING IN DESIGN/BUILD  
PRESIDENT: STEVE R. HAMMERS  
VICE PRES: DAVID J. HAMMERS  
1411 WOOLSEY HTS.  
COLORADO SPRINGS, CO 80915  
(719) 570-1589 FAX (719) 570-7008  
www.hammersconstruction.com

THIS DRAWING CONTAINS MATERIAL & INFORMATION WHICH MAY NOT BE REPRODUCED WITHOUT WRITTEN CONSENT OF HAMMERS CONSTRUCTION INC. THESE DRAWINGS ARE INTENDED TO BE USED ONLY BY HAMMERS CONSTRUCTION & ITS REPRESENTATIVES. THESE DRAWINGS HAVE NOT BEEN PREPARED FOR ANY OTHER PURPOSE THAN TO INDICATE THE GENERAL FEATURES AND PLACEMENT OF THE PROPOSED PROJECT. COPYRIGHT © 2017 HAMMERS CONSTRUCTION

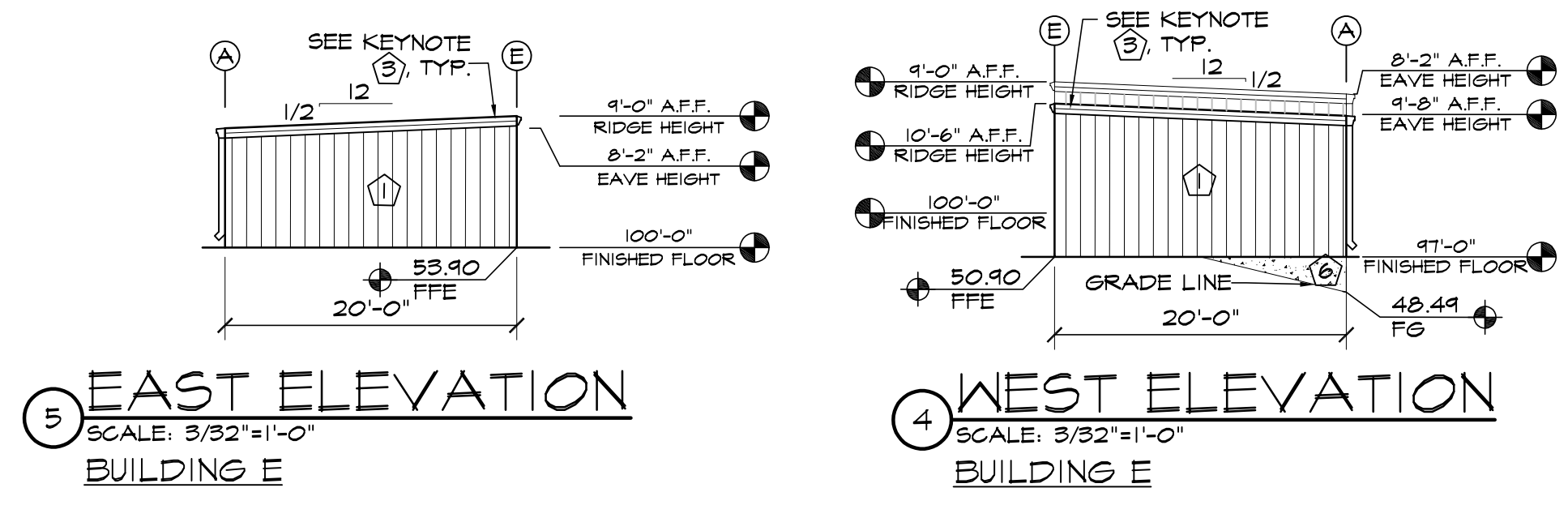
**MEADOWBROOK STORAGE**  
LOT 45-2  
1403 WOOLSEY HTS.  
COLORADO SPRINGS, CO 80915  
EL PASO COUNTY, COLORADO

DATE: APR 25, 2017  
DRAWN BY: D. AGUIÑO  
PROJ. MGR: Y. DYACHENKO  
SCALE: SEE PLAN  
APPROVED BY:  
JOB NO: 1028

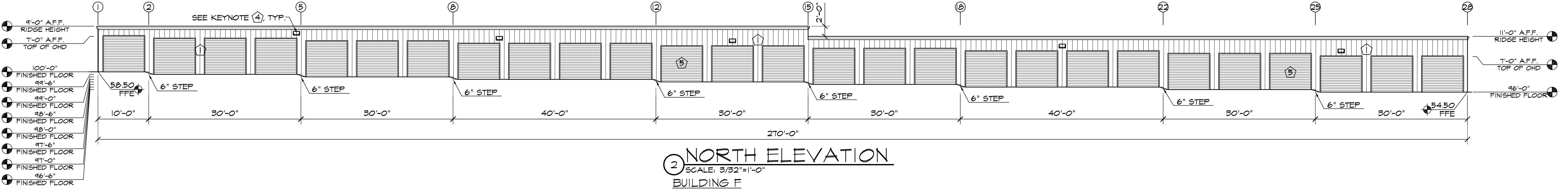
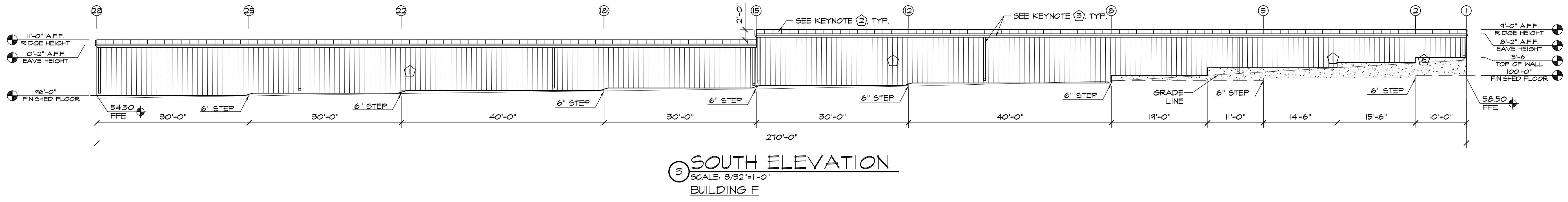
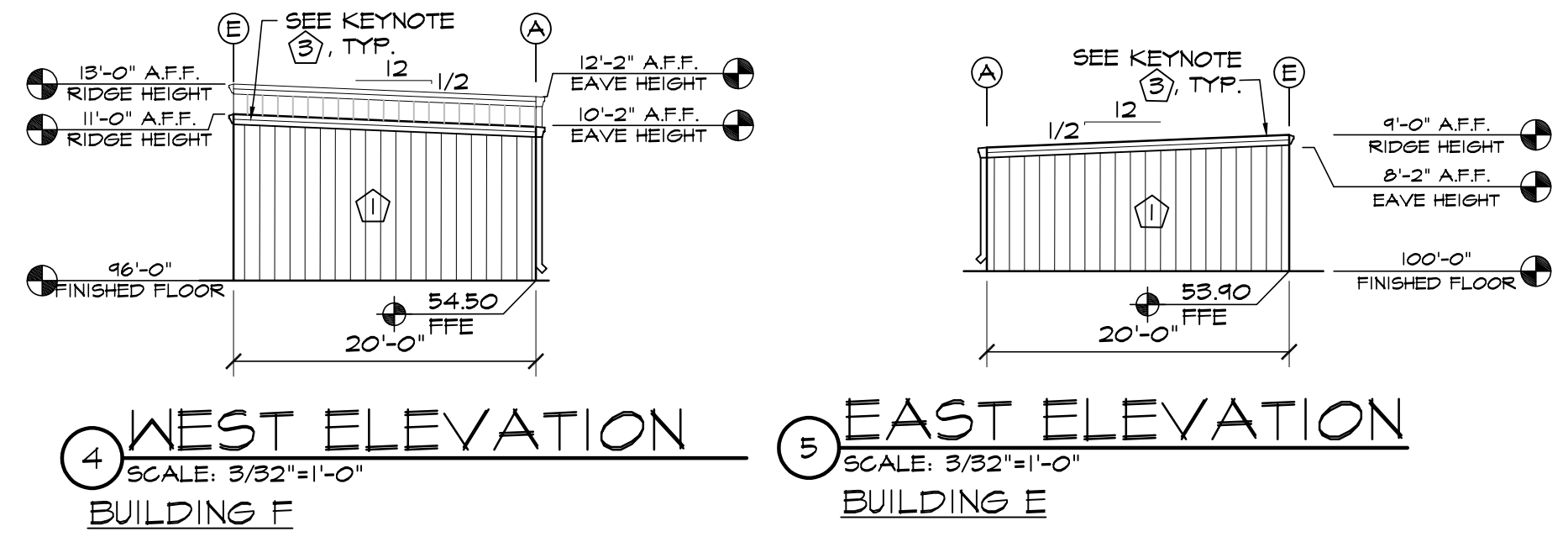
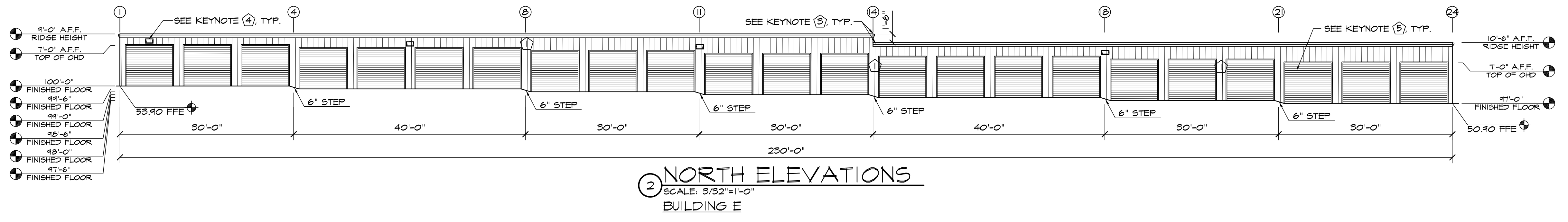
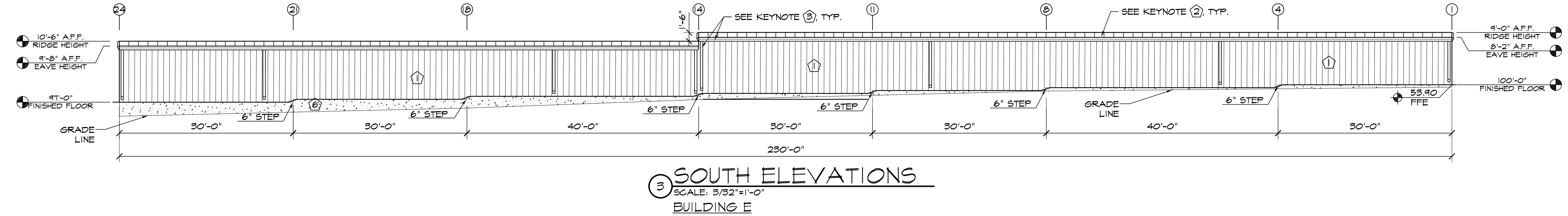
REVISIONS:  
A 5/31/17 - COMMENTS 5/18/17  
B 7/5/17 - COMMENTS 6/2/17

DATE: APR 25, 2017  
DRAWN BY: D. AGUIÑO  
PROJ. MGR: Y. DYACHENKO  
SCALE: SEE PLAN  
APPROVED BY:  
JOB NO: 1028

REVISIONS:  
A 5/31/17 - COMMENTS 5/18/17  
B 7/5/17 - COMMENTS 6/2/17



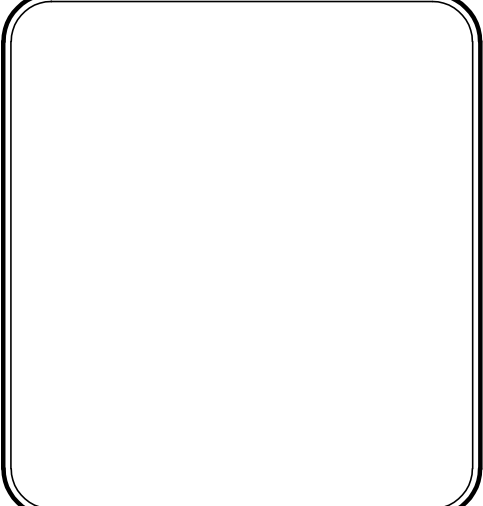
KEY NOTES	
①	- PREFINISHED 26 GA. "PBR" METAL WALL PANELS BY METAL BUILDING PROVIDER
②	- PREFINISHED 26 GA. "PBR" METAL ROOF PANELS BY METAL BUILDING PROVIDER
③	- PREFINISHED GUTTER & DOWNSPOUTS BY METAL BUILDING PROVIDER
④	- WALL PACK LIGHT (TOP OF LIGHT @ 7'-6" AFF - REFER TO PHOTOMETRIC PLAN - PG 4 OF 13)
⑤	- SEE SCHEDULES ON A4.1 FOR ALL DOOR & WINDOW INFORMATION
⑥	- RETAINING WALL



**HAMMERS CONSTRUCTION INC.**  
COMMERCIAL GENERAL CONTRACTORS SPECIALIZING IN DESIGN/BUILD  
PRESIDENT: STEVE R. HAMMERS  
VICE PRES: DAVID J. HAMMERS  
1411 WOOLSEY HEIGHTS  
COLORADO SPRINGS, CO 80915  
(719) 570-1589 FAX (719) 570-7008  
www.hammersconstruction.com

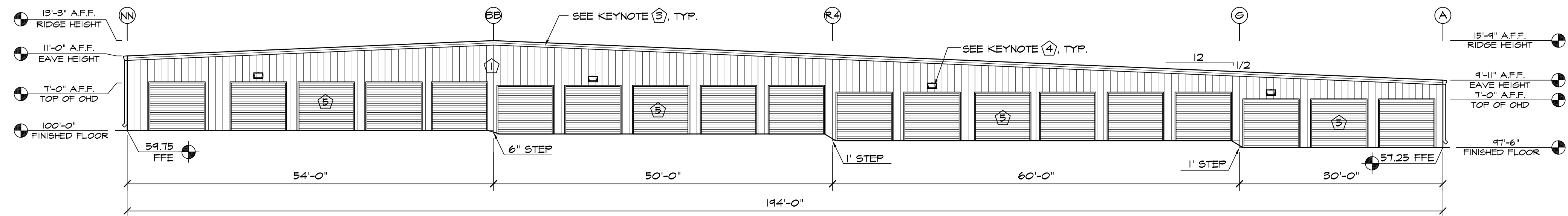
THIS DRAWING CONTAINS MATERIAL & INFORMATION WHICH MAY NOT BE REPRODUCED WITHOUT WRITTEN CONSENT OF HAMMERS CONSTRUCTION INC. THESE DRAWINGS ARE INTENDED TO BE USED ONLY BY HAMMERS CONSTRUCTION & ITS REPRESENTATIVES. THESE DRAWINGS HAVE NOT BEEN PREPARED FOR ANY OTHER PURPOSE THAN TO INDICATE THE GENERAL FEATURES AND PLACEMENT OF THE PROPOSED PROJECT. COPYRIGHT © 2017 HAMMERS CONSTRUCTION

**MEADOWBROOK STORAGE**  
LOT 45-2  
1403 WOOLSEY HTS.  
COLORADO SPRINGS, CO 80915  
EL PASO COUNTY, COLORADO



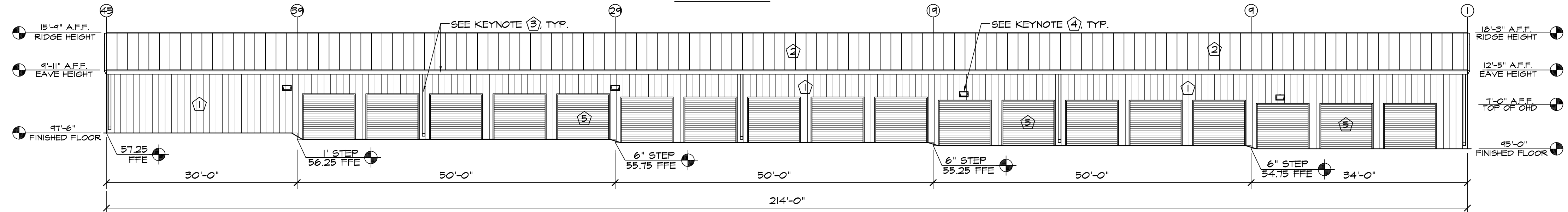
DATE: APR 25, 2017  
DRAWN BY: D. AGUIÑO  
PROJ. MGR: Y. DYACHENKO  
SCALE: SEE PLAN  
APPROVED BY:  
JOB NO: 1028

REVISIONS:	
△	5/31/17 - COMMENTS 5/18/17
△	7/5/17 - COMMENTS 6/2/17
△	
△	
△	

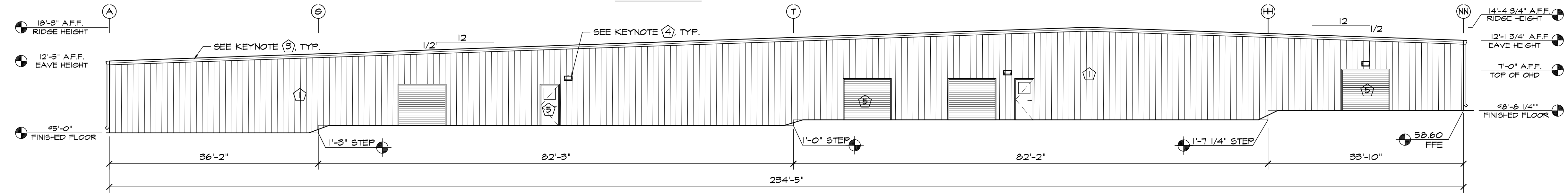


1 NORTH ELEVATION  
SCALE: 3/32"=1'-0"  
BUILDING 'G'

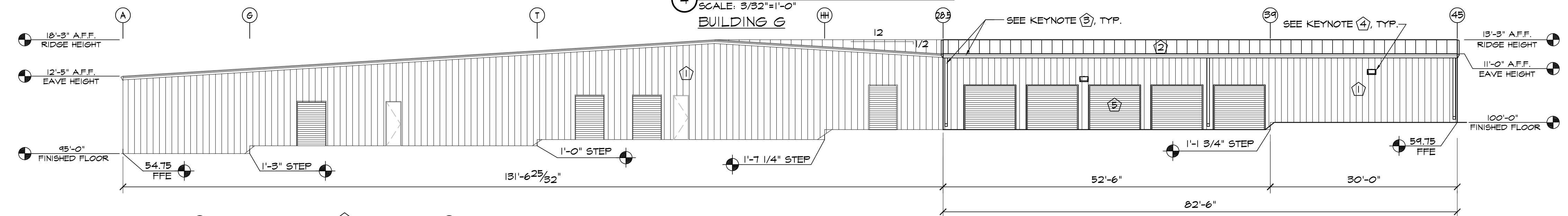
- KEY NOTES**
- 1 - PREFINISHED 26 GA. 'PBR' METAL WALL PANELS BY METAL BUILDING PROVIDER
  - 2 - PREFINISHED 26 GA. 'PBR' METAL ROOF PANELS BY METAL BUILDING PROVIDER
  - 3 - PREFINISHED GUTTER & DOWNSPOUTS BY METAL BUILDING PROVIDER
  - 4 - WALL PACK LIGHT (TOP OF LIGHT @ 7'-6" AFF. REFER TO PHOTOMETRIC PLAN - PG 9 OF 13)
  - 5 - SEE SCHEDULES ON A4.1 FOR ALL DOOR & WINDOW INFORMATION
  - 6 - RETAINING WALL



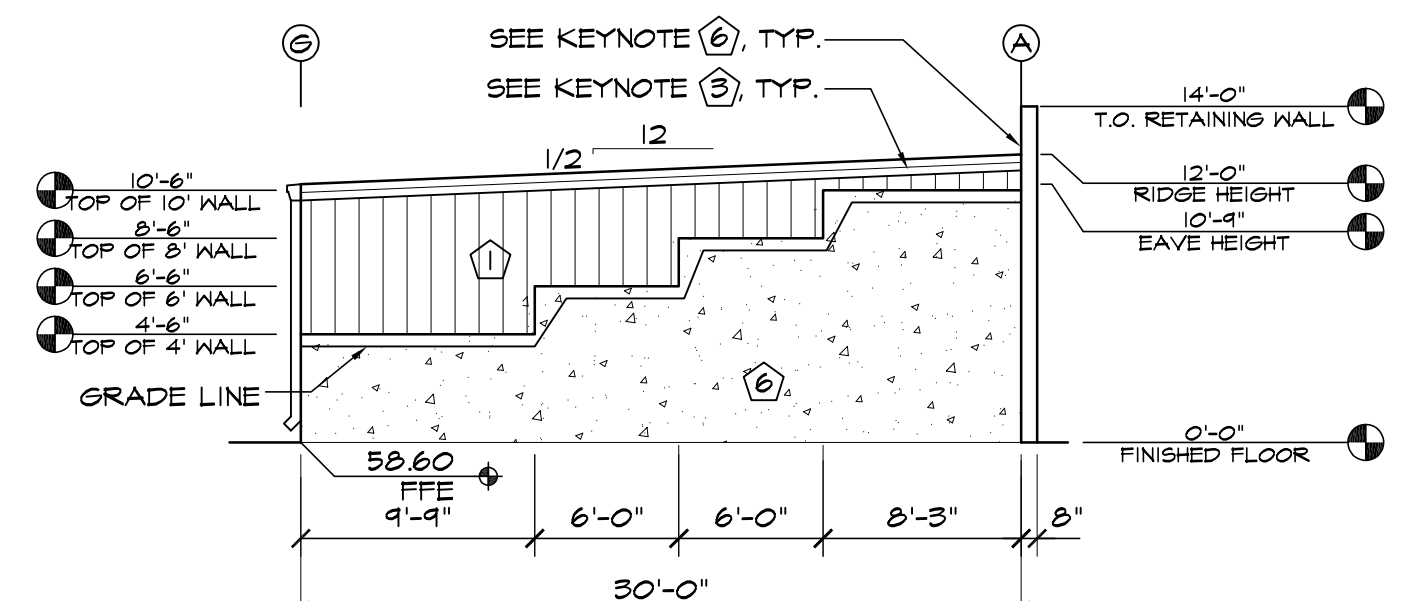
2 WEST ELEVATION  
SCALE: 3/32"=1'-0"  
BUILDING 'G'



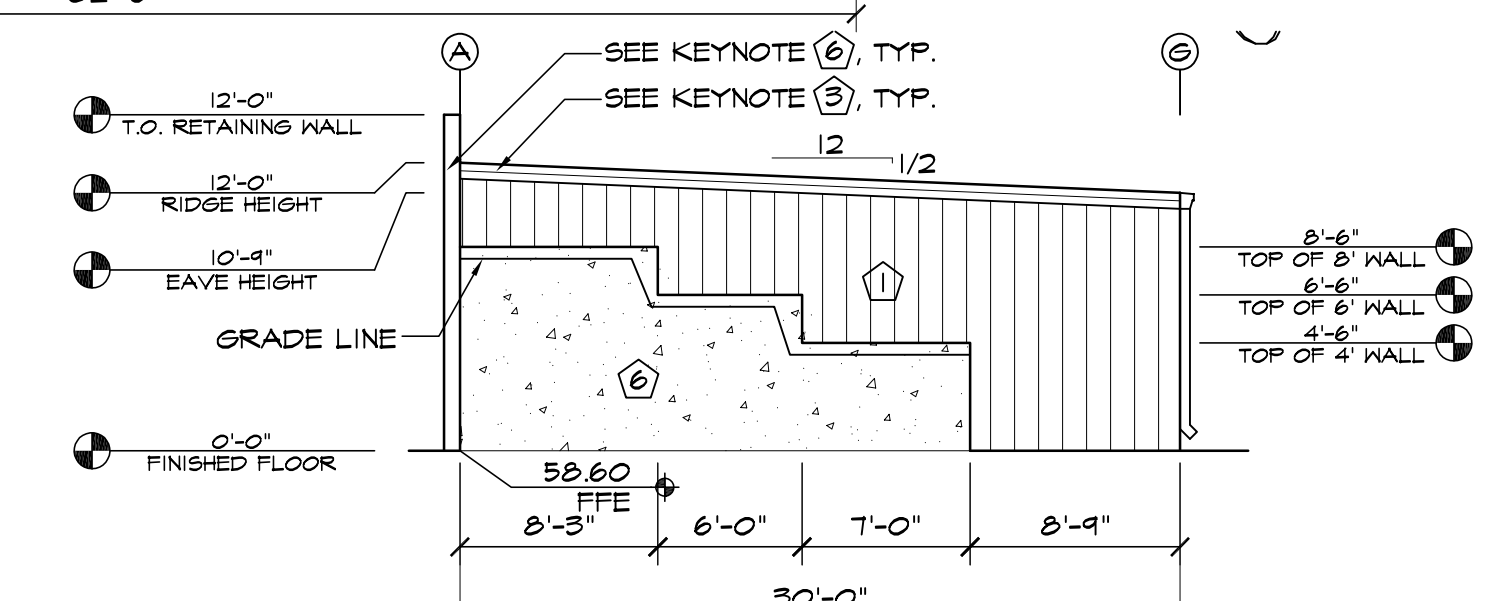
4 SOUTH ELEVATION  
SCALE: 3/32"=1'-0"  
BUILDING 'G'



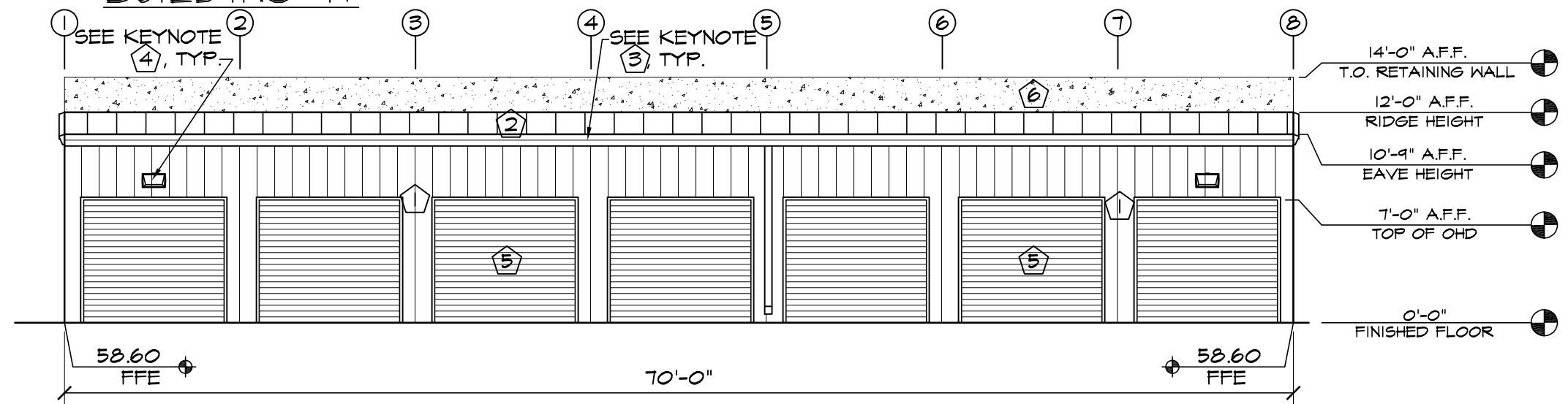
3 EAST ELEVATION  
SCALE: 3/32"=1'-0"  
BUILDING 'G'



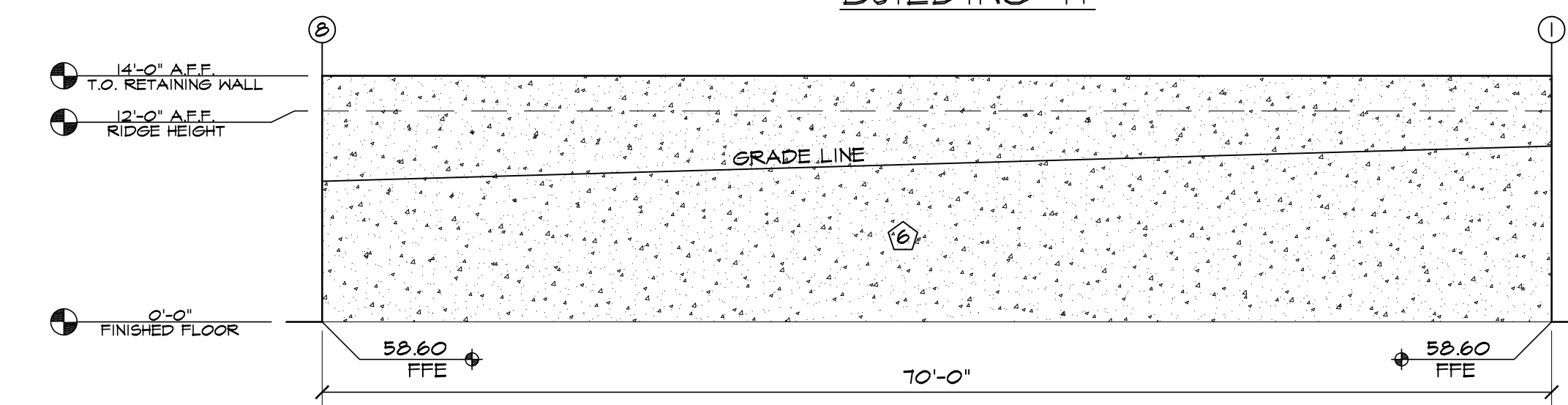
3 SOUTH ELEVATION  
SCALE: 1/8"=1'-0"  
BUILDING 'H'



4 NORTH ELEVATION  
SCALE: 1/8"=1'-0"  
BUILDING 'H'



2 WEST ELEVATION  
SCALE: 1/8"=1'-0"  
BUILDING 'H'



5 EAST ELEVATION  
SCALE: 1/8"=1'-0"  
BUILDING 'H'

**HAMMERS CONSTRUCTION INC.**  
COMMERCIAL GENERAL CONTRACTORS SPECIALIZING IN DESIGN/BUILD  
PRESIDENT: STEVE R. HAMMERS  
VICE PRES: DAVID J. HAMMERS  
1411 WOOLSEY HTS  
COLORADO SPRINGS, CO 80915  
(719) 570-1589 FAX (719) 570-7008  
www.hammersconstruction.com

THIS DRAWING CONTAINS MATERIAL & INFORMATION WHICH MAY NOT BE REPRODUCED WITHOUT WRITTEN CONSENT OF HAMMERS CONSTRUCTION INC. THESE DRAWINGS ARE INTENDED TO BE USED ONLY BY HAMMERS CONSTRUCTION & ITS REPRESENTATIVES. THESE DRAWINGS HAVE NOT BEEN PREPARED FOR ANY OTHER PURPOSE THAN TO INDICATE THE GENERAL FEATURES AND PLACEMENT OF THE PROPOSED PROJECT. COPYRIGHT © 2017 HAMMERS CONSTRUCTION

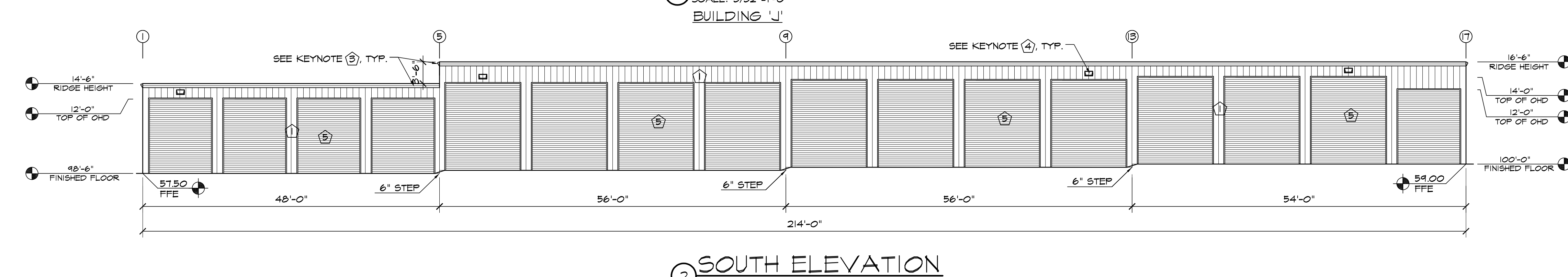
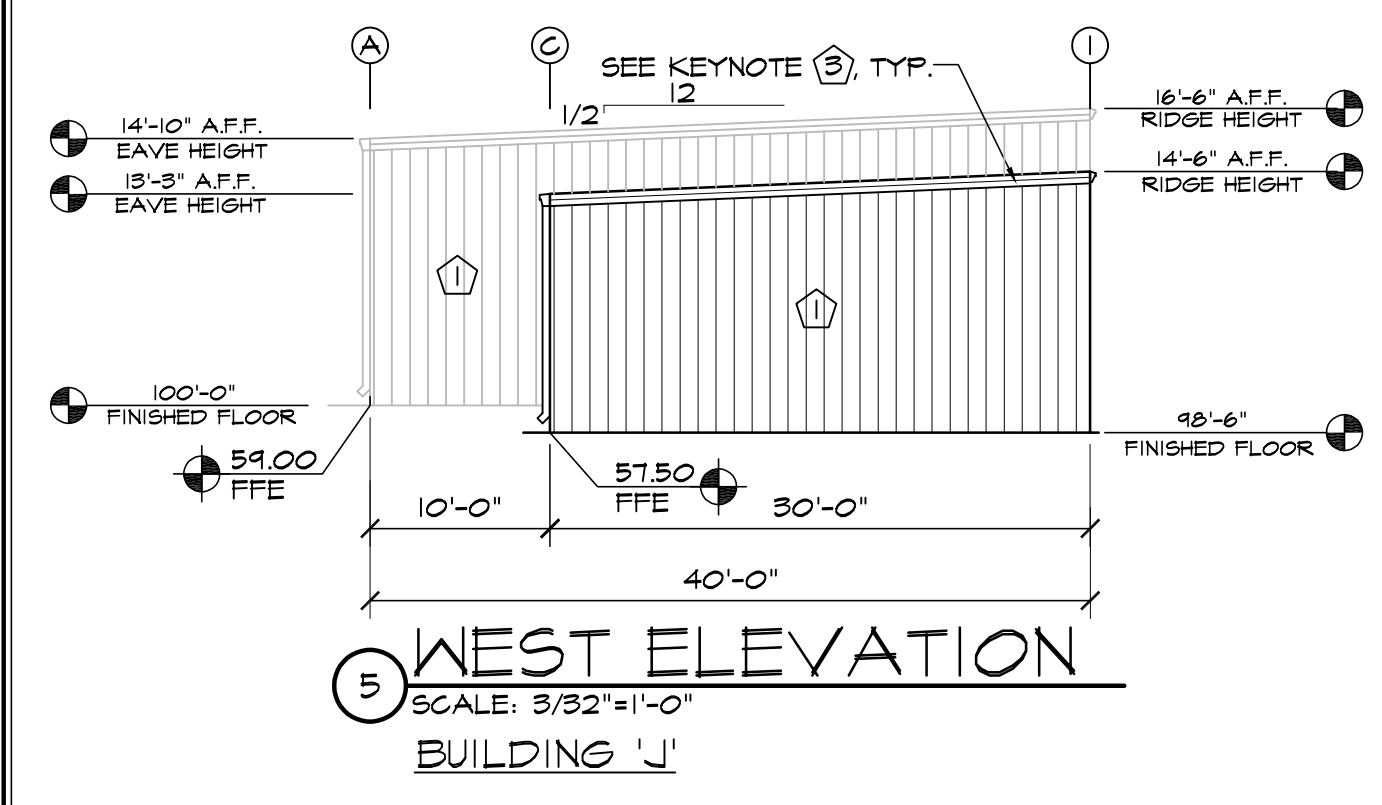
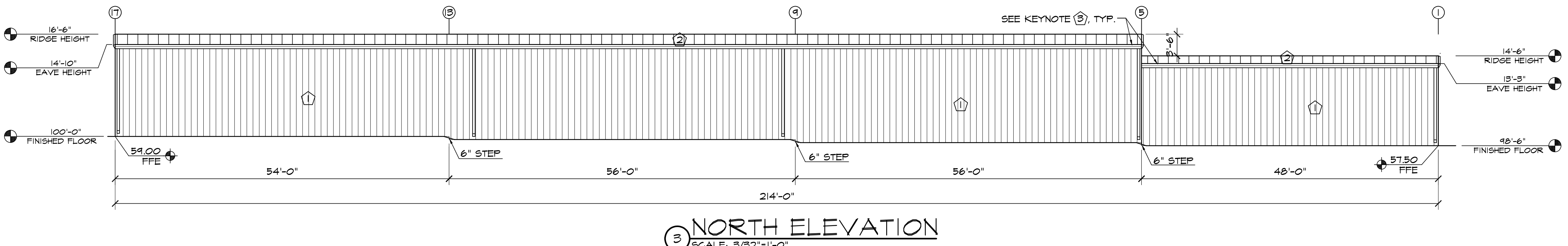
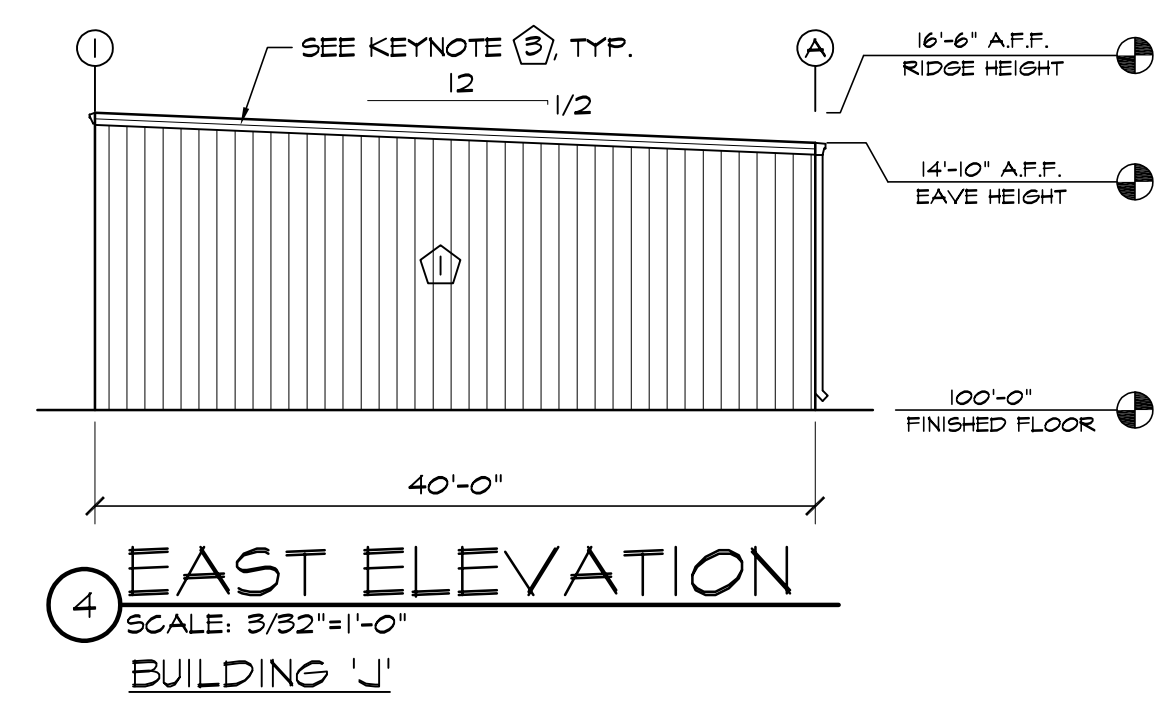
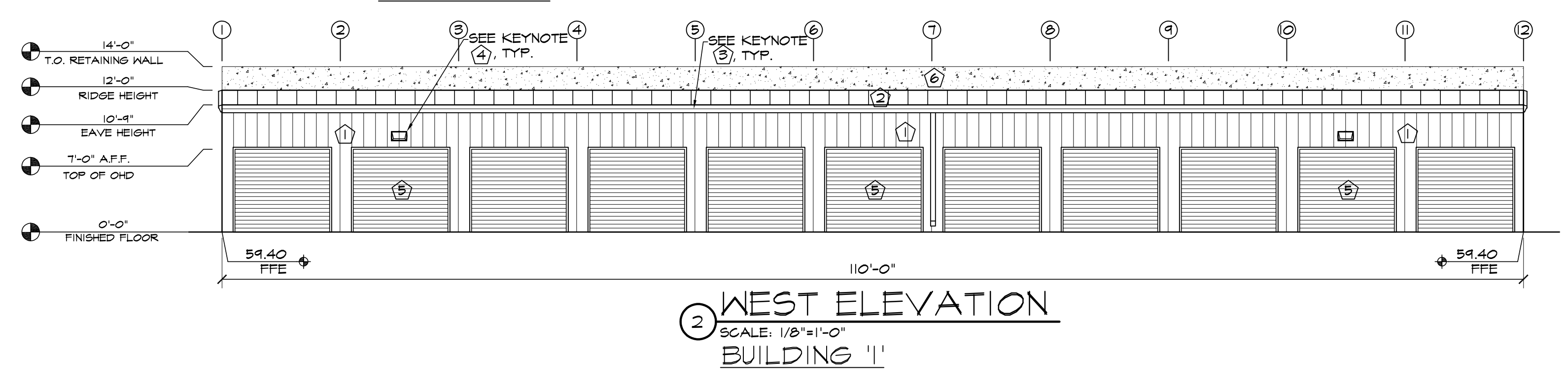
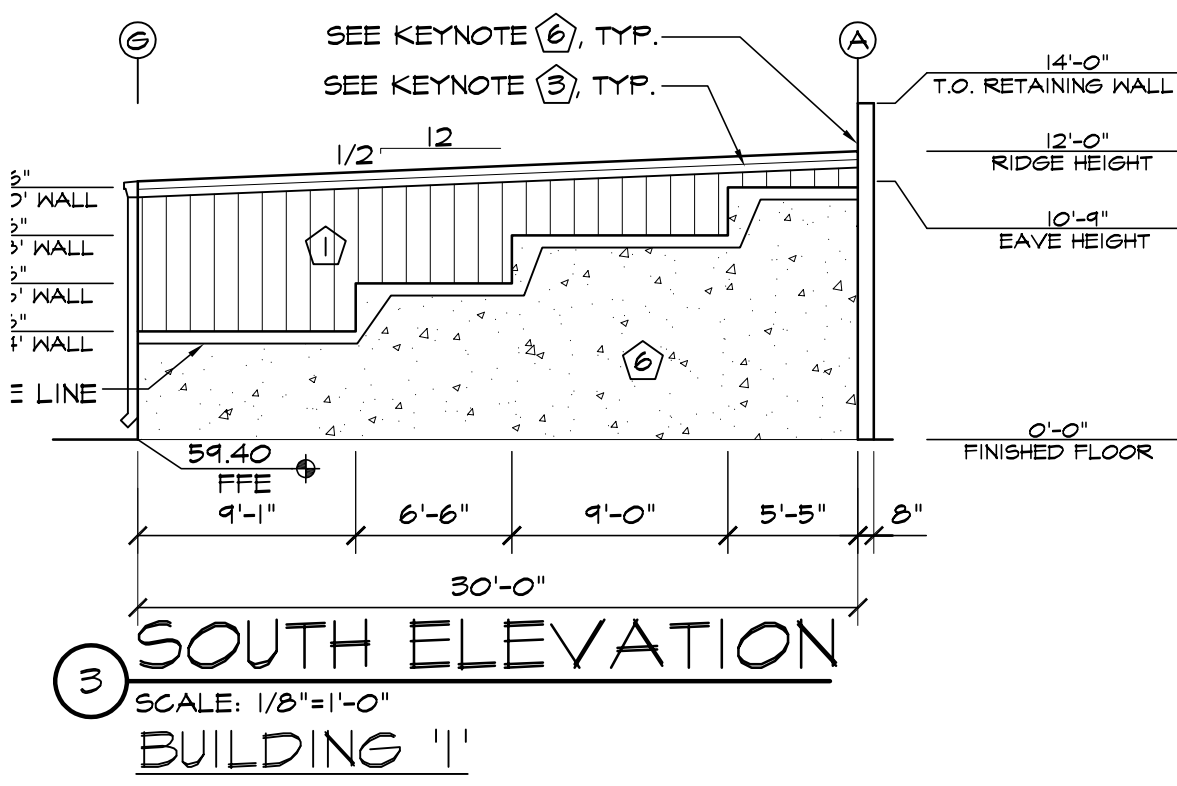
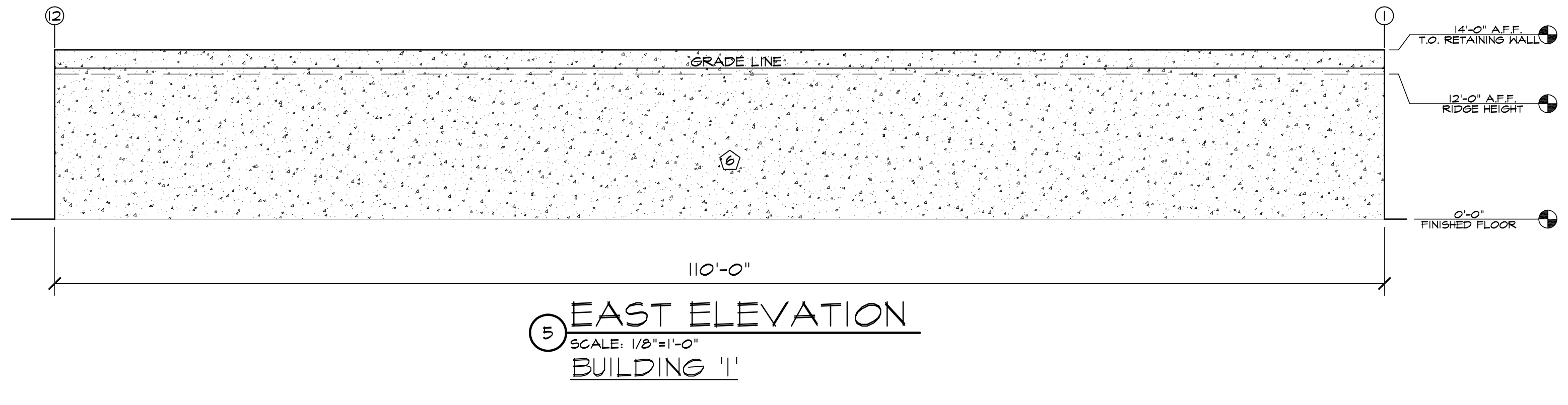
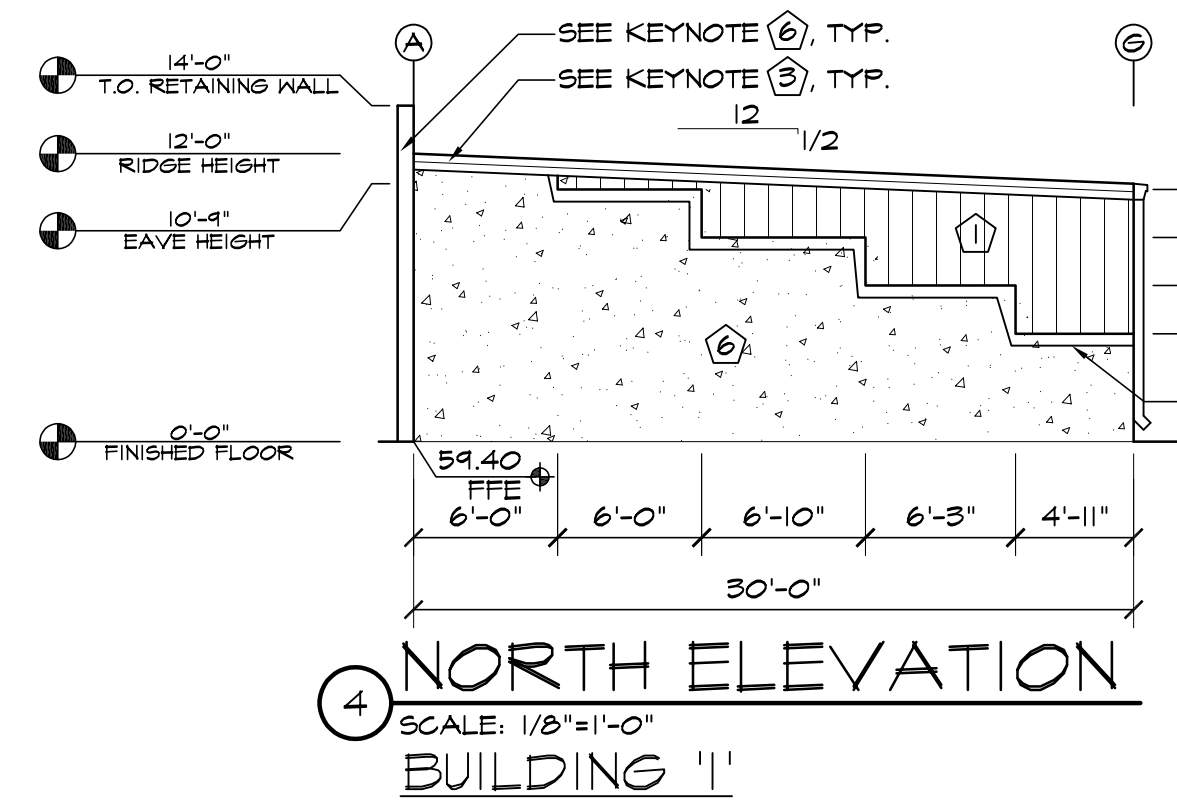
**MEADOWBROOK STORAGE**  
LOT 45-2  
1403 WOOLSEY HTS.  
COLORADO SPRINGS, CO 80915  
EL PASO COUNTY, COLORADO

DATE: APR 25, 2017  
DRAWN BY: D. AGUIÑO  
PROJ. MGR: Y. DYACHENKO  
SCALE: SEE PLAN  
APPROVED BY:  
JOB NO: 1028

- REVISIONS:
- 5/31/17 - COMMENTS 5/18/17
  - 7/5/17 - COMMENTS 6/2/17



KEY NOTES	
①	- PREFINISHED 26 GA. "PBR" METAL WALL PANELS BY METAL BUILDING PROVIDER
②	- PREFINISHED 26 GA. "PBR" METAL ROOF PANELS BY METAL BUILDING PROVIDER
③	- PREFINISHED GUTTER & DOWNSPOUTS BY METAL BUILDING PROVIDER
④	- WALL PACK LIGHT (TOP OF LIGHT @ 7'-6" A.F.F. - REFER TO PHOTOMETRIC PLAN - PG 9 OF 13)
⑤	- SEE SCHEDULES ON A4.1 FOR ALL DOOR & WINDOW INFORMATION
⑥	- RETAINING WALL



**HAMMERS CONSTRUCTION INC.**  
COMMERCIAL GENERAL CONTRACTORS SPECIALIZING IN DESIGN/BUILD  
PRESIDENT: STEVE R. HAMMERS  
VICE PRES: DAVID J. HAMMERS  
1411 WOOLSEY HEIGHTS  
COLORADO SPRINGS, CO 80915  
(719) 570-1589 FAX (719) 570-7008  
www.hammersconstruction.com

THIS DRAWING CONTAINS MATERIAL & INFORMATION WHICH MAY NOT BE REPRODUCED WITHOUT WRITTEN CONSENT OF HAMMERS CONSTRUCTION INC. THESE DRAWINGS ARE INTENDED TO BE USED ONLY BY HAMMERS CONSTRUCTION & ITS REPRESENTATIVES. THESE DRAWINGS HAVE NOT BEEN PREPARED FOR ANY OTHER PURPOSE THAN TO INDICATE THE GENERAL FEATURES AND PLACEMENT OF THE PROPOSED PROJECT. COPYRIGHT © 2017 HAMMERS CONSTRUCTION

**MEADOWBROOK STORAGE**  
LOT 45-2  
1403 WOOLSEY HTS.  
COLORADO SPRINGS, CO 80915  
EL PASO COUNTY, COLORADO

DATE: APR 25, 2017  
DRAWN BY: D. AGUIÑO  
PROJ. MGR: Y. DYACHENKO  
SCALE: SEE PLAN  
APPROVED BY:  
JOB NO: 1028

REVISIONS:	
△	5/31/17 - COMMENTS 5/18/17
△	7/5/17 - COMMENTS 6/2/17
△	
△	
△	