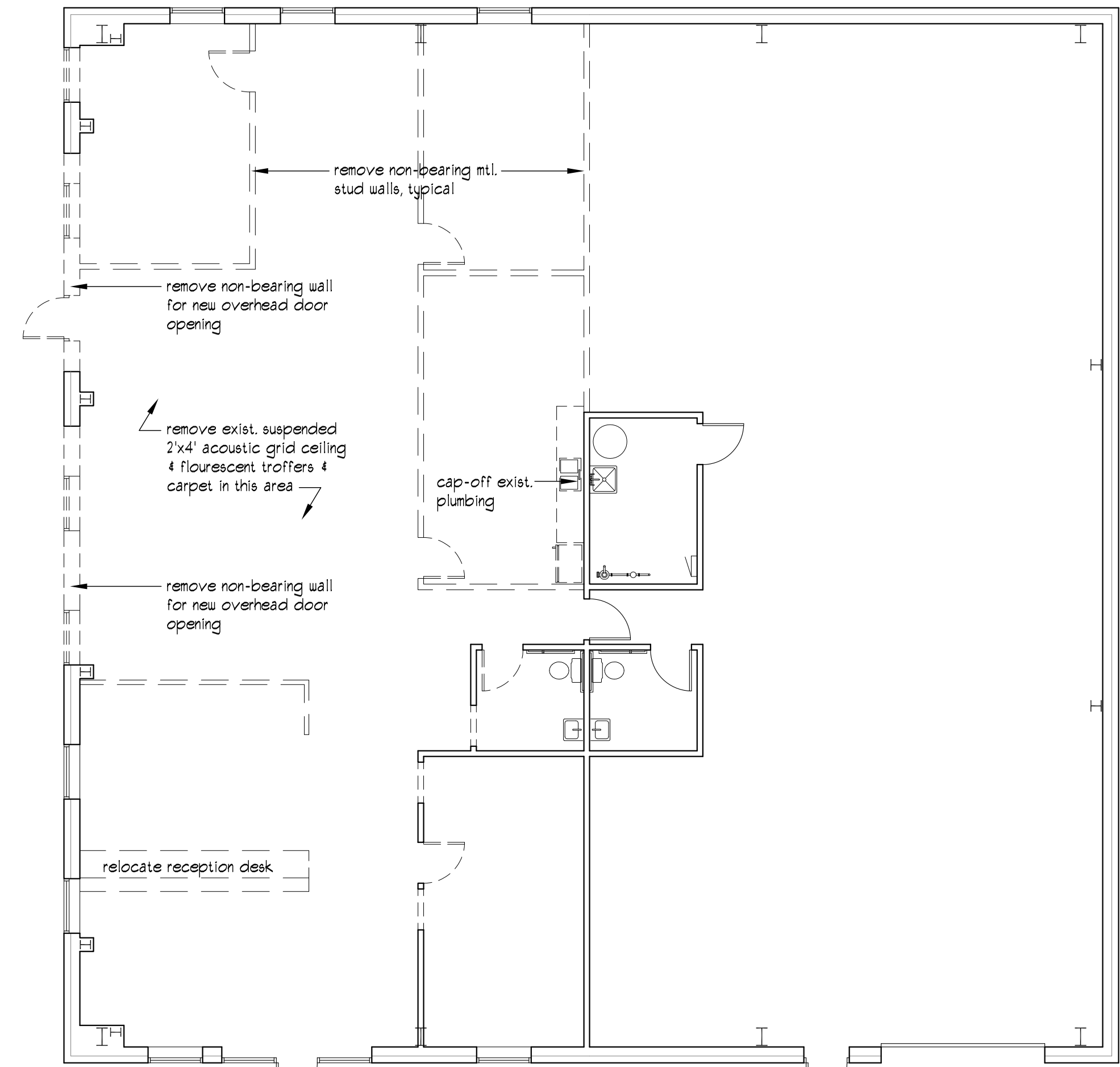


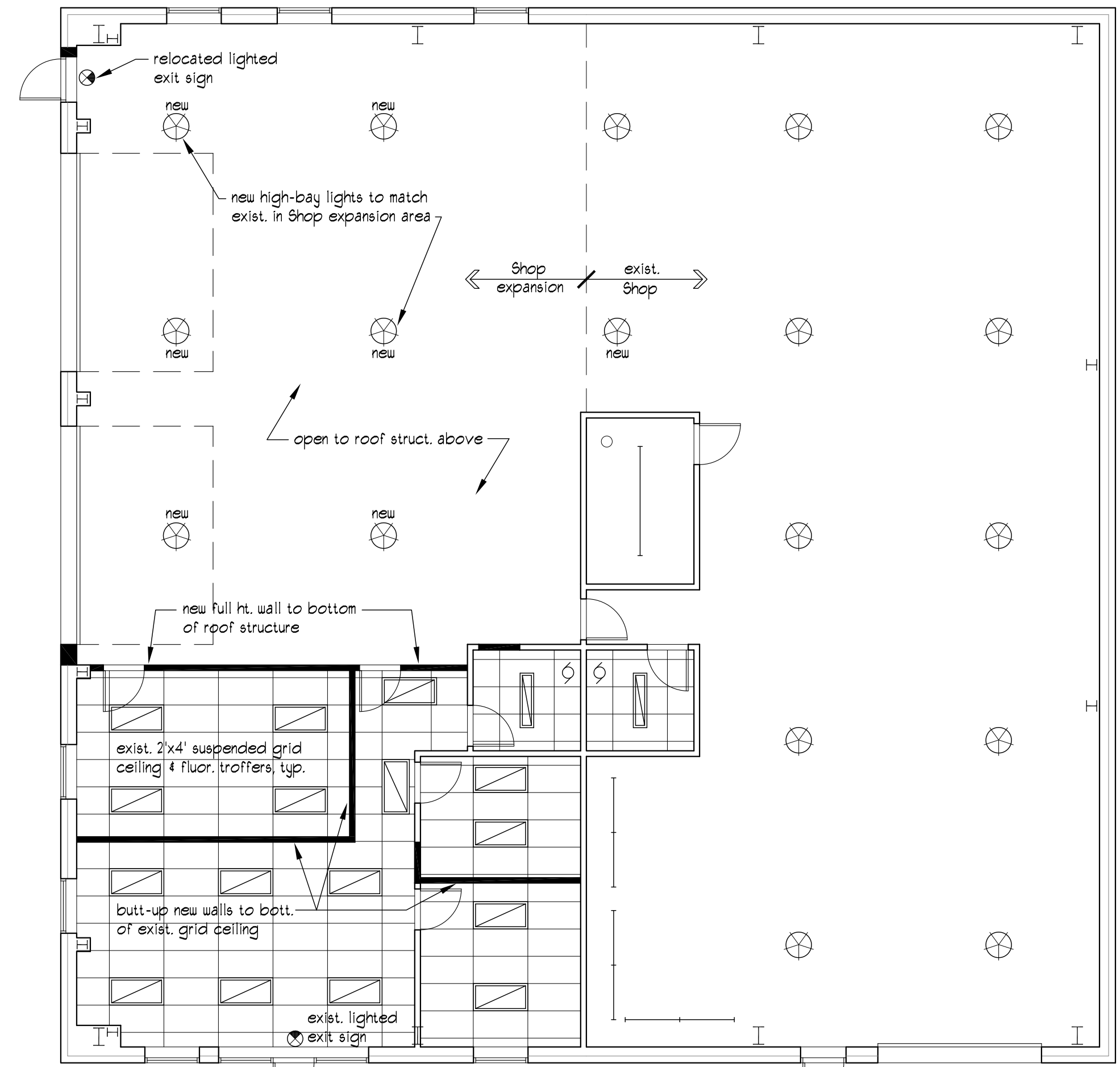
LIFE SAFETY PLAN

SCALE: 3/32" = 1'-0"



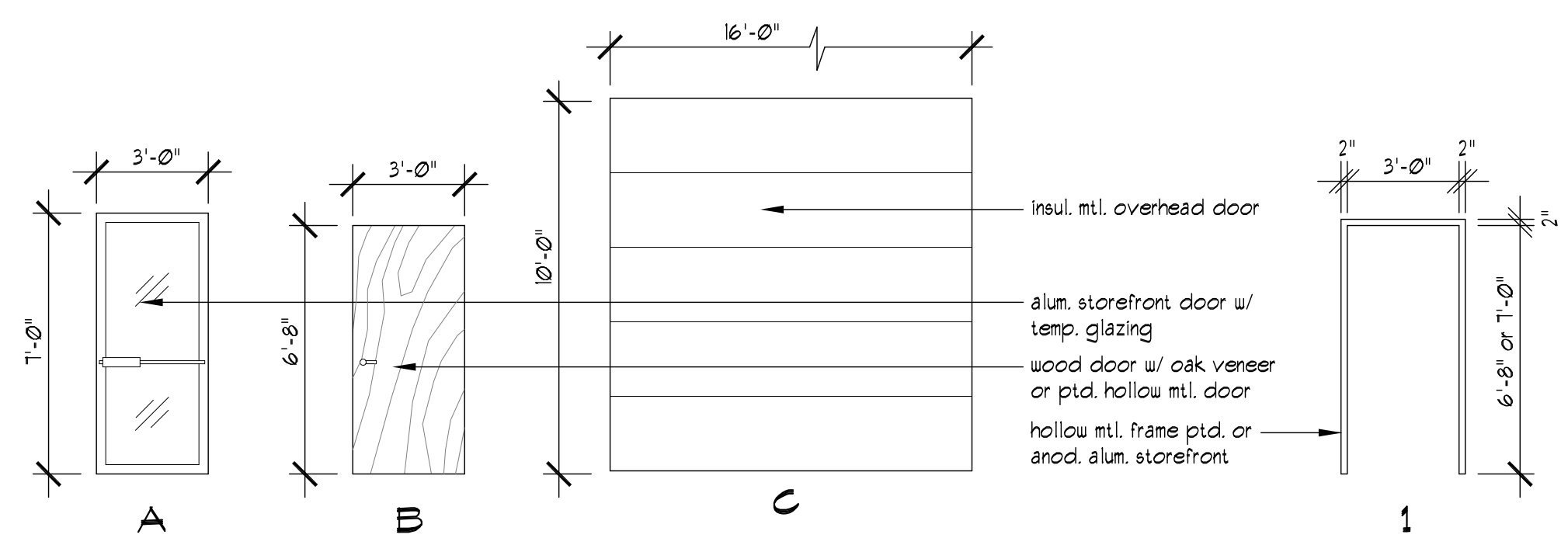
DEMOLITION PLAN

SCALE: 1/8" = 1'-0"



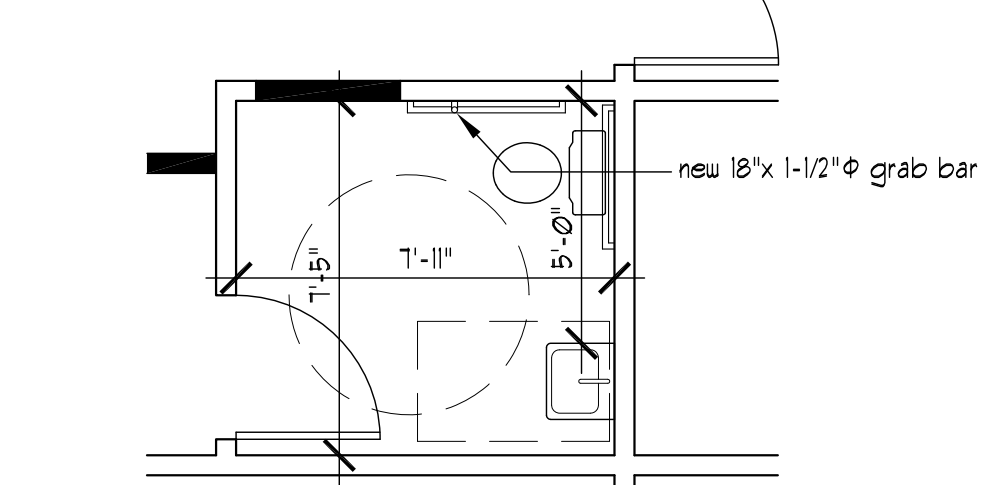
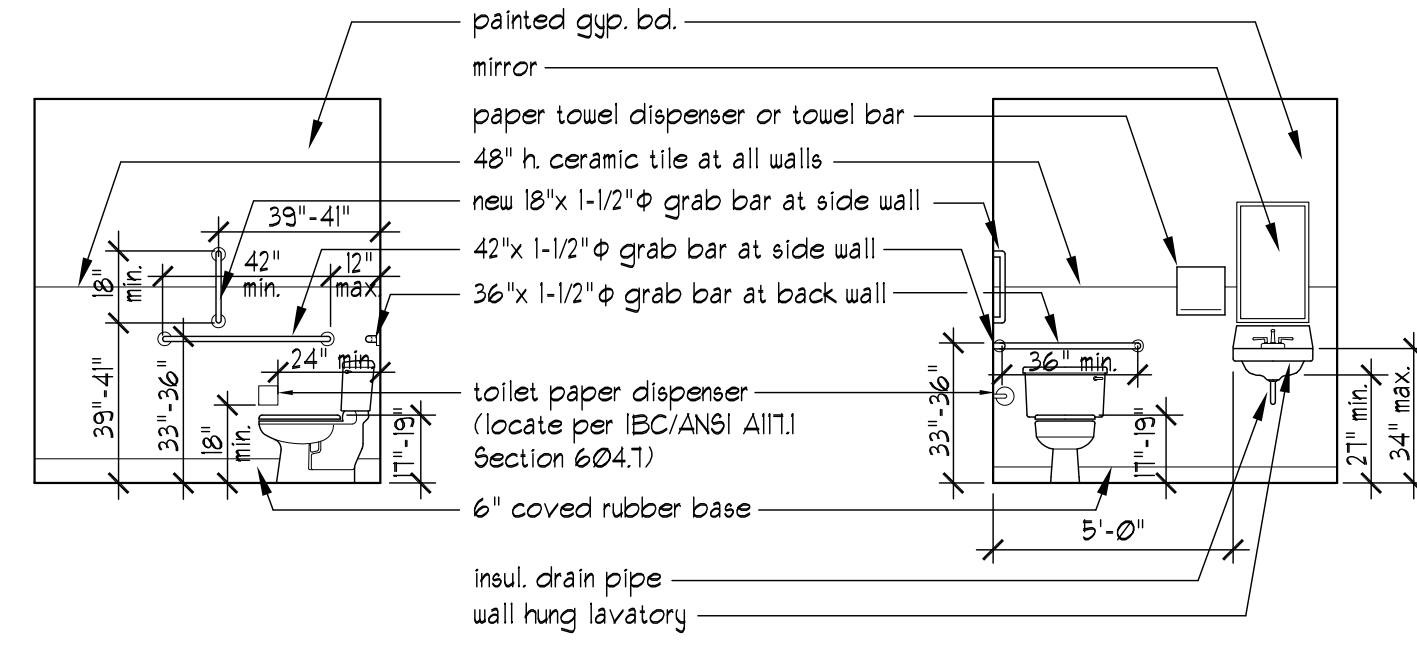
REFLECTED CEILING PLAN

SCALE: 1/8" = 1'-0"



DOOR & FRAME ELEVATIONS

SCALE: 1/4" = 1'-0"



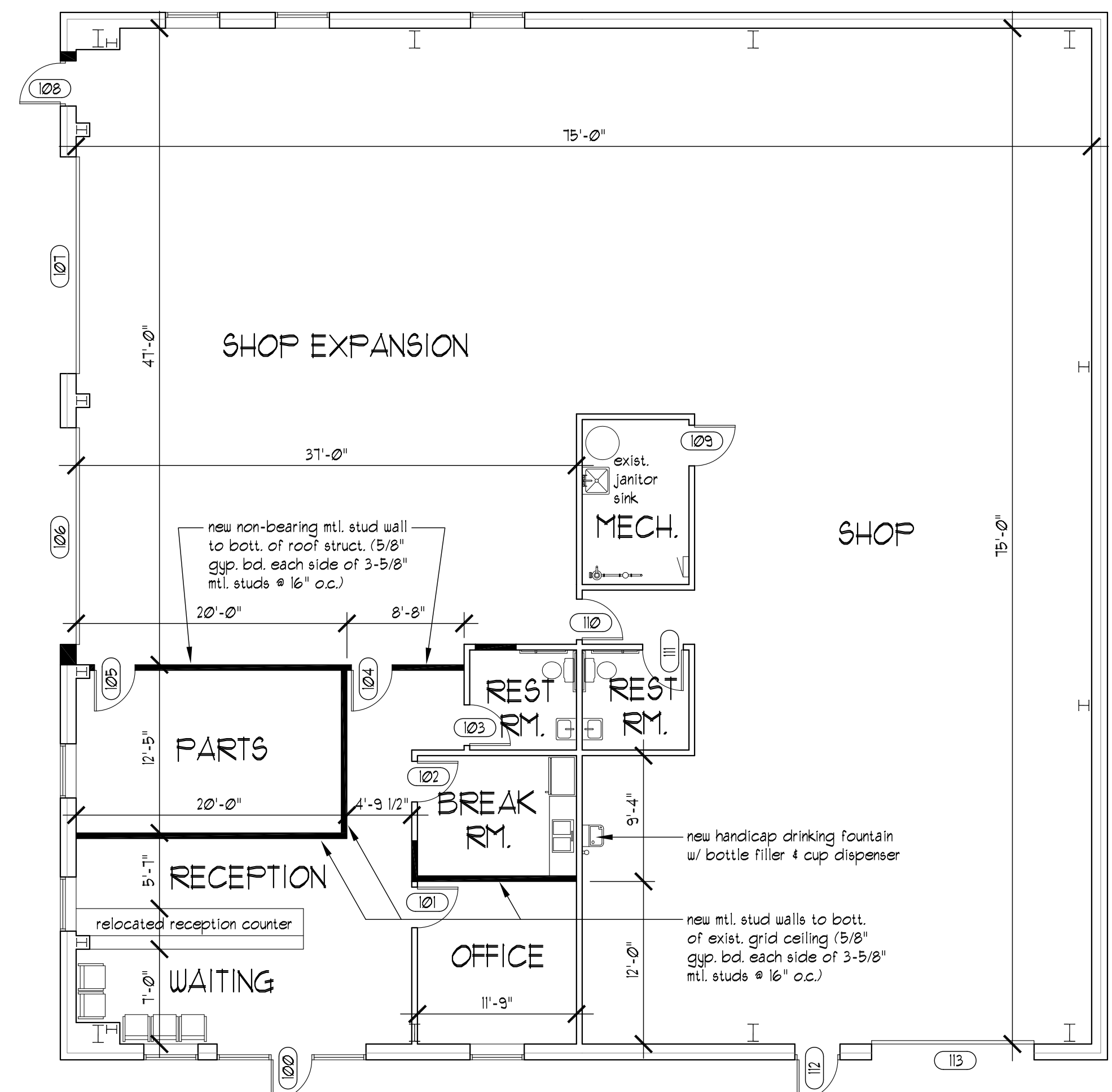
EXIST. REST ROOM PLAN & ELEVATIONS

SCALE: 1/4" = 1'-0"

CODE ANALYSIS

2015 IBC & PPRBC 2011
 NON-SEPARATED USE CLASSIFICATION
 TYPE OF CONSTRUCTION:
 OCCUPANCY CLASSIFICATION:
 OCCUPANT LOAD:
 WAITING AREA:
 OFFICE & RECEPTION:
 AUTO REPAIR SHOP:
 MECH. ROOMS:
 RESTROOMS:
 PARTS ROOM:
 ALLOWABLE FLOOR AREA:
 STORIES:
 BUILDING HEIGHT:
 BUILDING AREA:

11-B NON-SPRINKLERED
 S-1 (AUTO REPAIR SHOP) / B (OFFICE AREA)
 34 TOTAL
 5 SEATS
 6 (500 SF ÷ 100)
 21 (4,200 SF ÷ 200)
 1 (115 SF ÷ 100)
 0 (142 SF ACCESSORY USE)
 1 (282 SF ÷ 300)
 17,500 SF
 1
 19'
 5,625 SF



FLOOR PLAN

SCALE: 1/8" = 1'-0"

DOOR NO.	DOOR & FRAME SCHEDULE								REMARKS	
	SIZE	MATL	FIN	TYPE	LABEL	MATL	FIN	TYPE		LABEL
100	EXIST. 3'-0"x1'-0"	ALUM	ANOD	A		ALUM	ANOD			SINGLE ACTION INDICATOR LOCKSET PER IFC 1010.19.3 ♀, CLOSERS, SIGNAGE ABOVE DOOR "THIS DOOR TO REMAIN UNLOCKED WHEN BUILDING IS OCCUPIED"
101	3'-0"x6'-8"	WD	ST	B		HM	PT	I		LOCKSET
102	RELOCATED 3'-0"x6'-8"	WD	ST	C		HM	PT	I		PASSAGE SET
103	EXIST. 3'-0"x6'-8"	WD	ST	B		HM	PT	I		PRIVACY LOCKSET
104	3'-0"x6'-8"	WD	ST	B		HM	PT	I		LOCKSET
105	3'-0"x6'-8"	WD	ST	B		HM	PT	I		LOCKSET
106	16'-0"x10'-0"	ALUM	ANOD	C						OVERHEAD DOOR
107	16'-0"x10'-0"	ALUM	ANOD	C						OVERHEAD DOOR
108	RELOCATED 3'-0"x1'-0"	HM	PT	B		HM	PT	I		LOCKSET & LEVER HANDLE
109	EXIST. 3'-0"x6'-8"	WD	ST	B		HM	PT	I		LOCKSET
110	EXIST. 3'-0"x6'-8"	WD	ST	B		HM	PT	I		PASSAGE SET
111	EXIST. 3'-0"x6'-8"	WD	ST	B		HM	PT	I		PRIVACY LOCKSET
112	EXIST. 3'-0"x1'-0"	HM	PT	B		HM	PT	I		LOCKSET & LEVER HANDLE
113	EXIST. 10'-0"x12'-0"	ALUM	ANOD	C						OVERHEAD DOOR