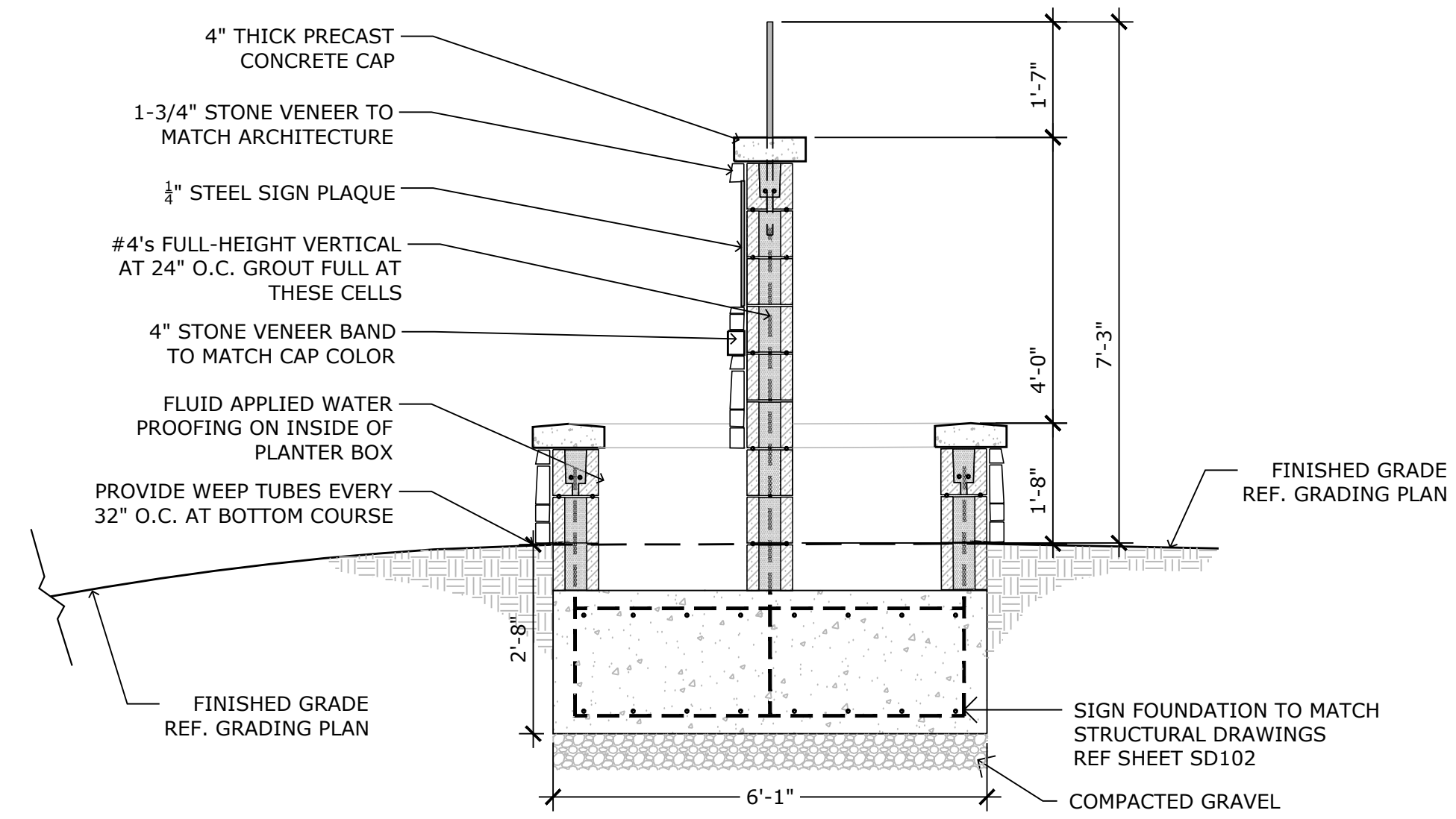


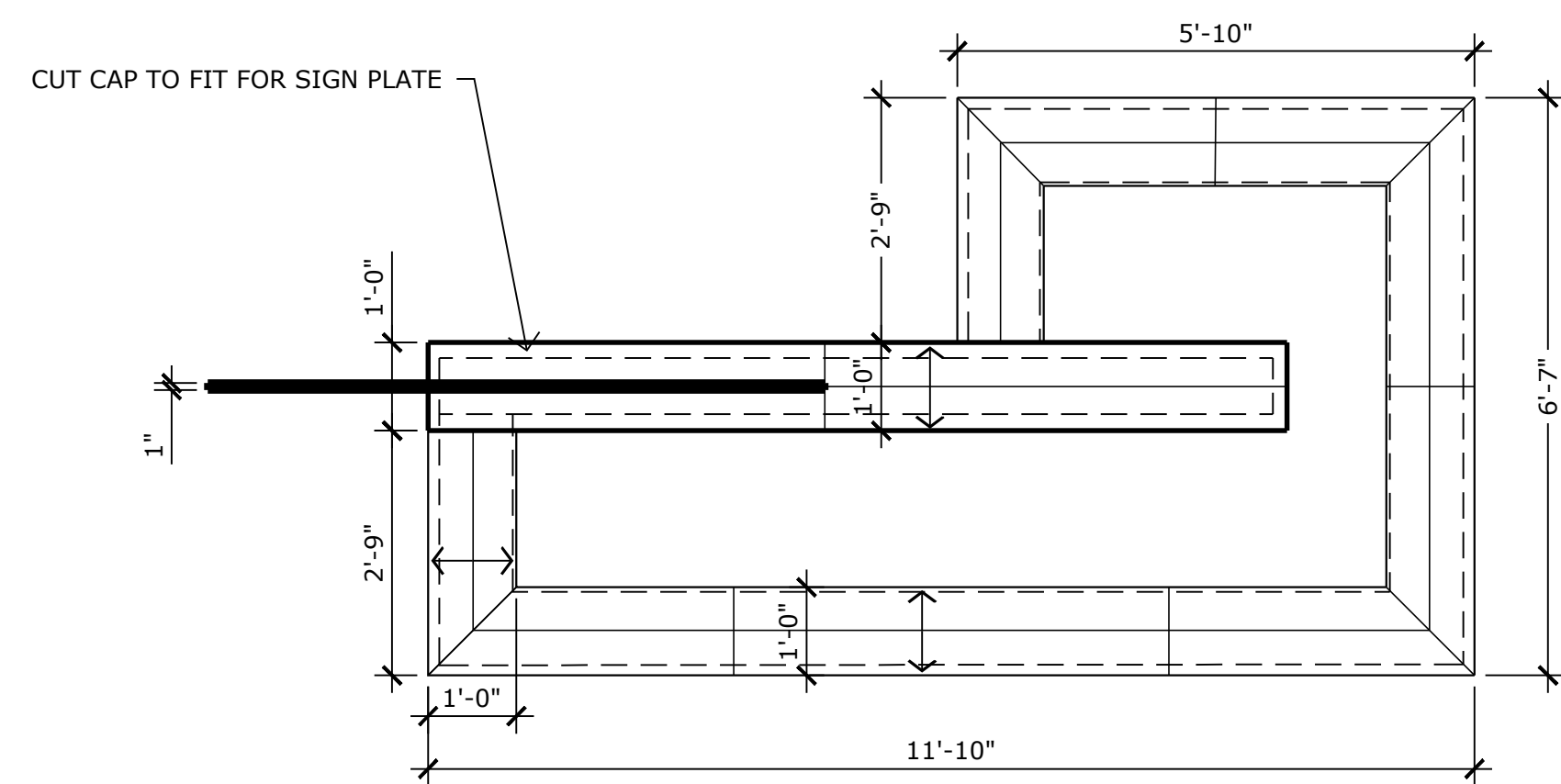
1
L3.4 MAIN MONUMENT SIGN - FRONT ELEVATION

1/2" = 1'-00"



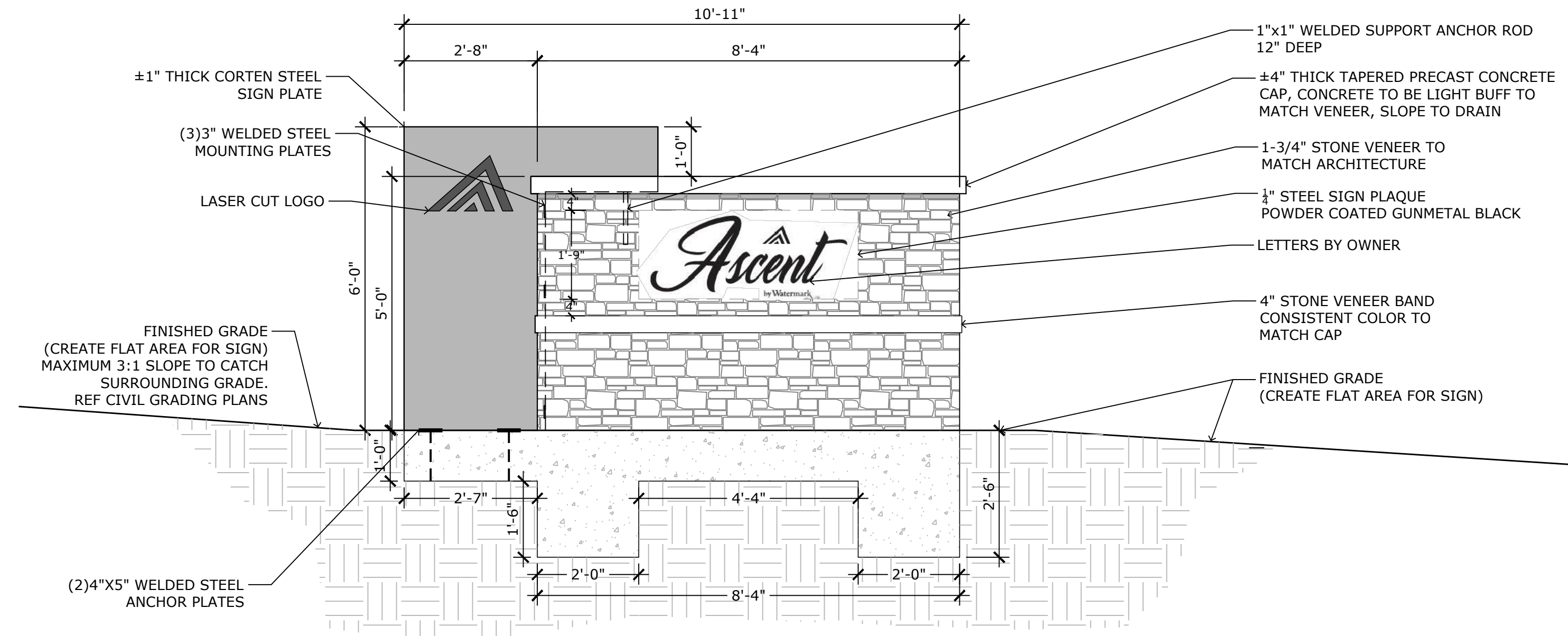
4
L3.4 MAIN MONUMENT SIGN SECTION

1/2" = 1'-00"



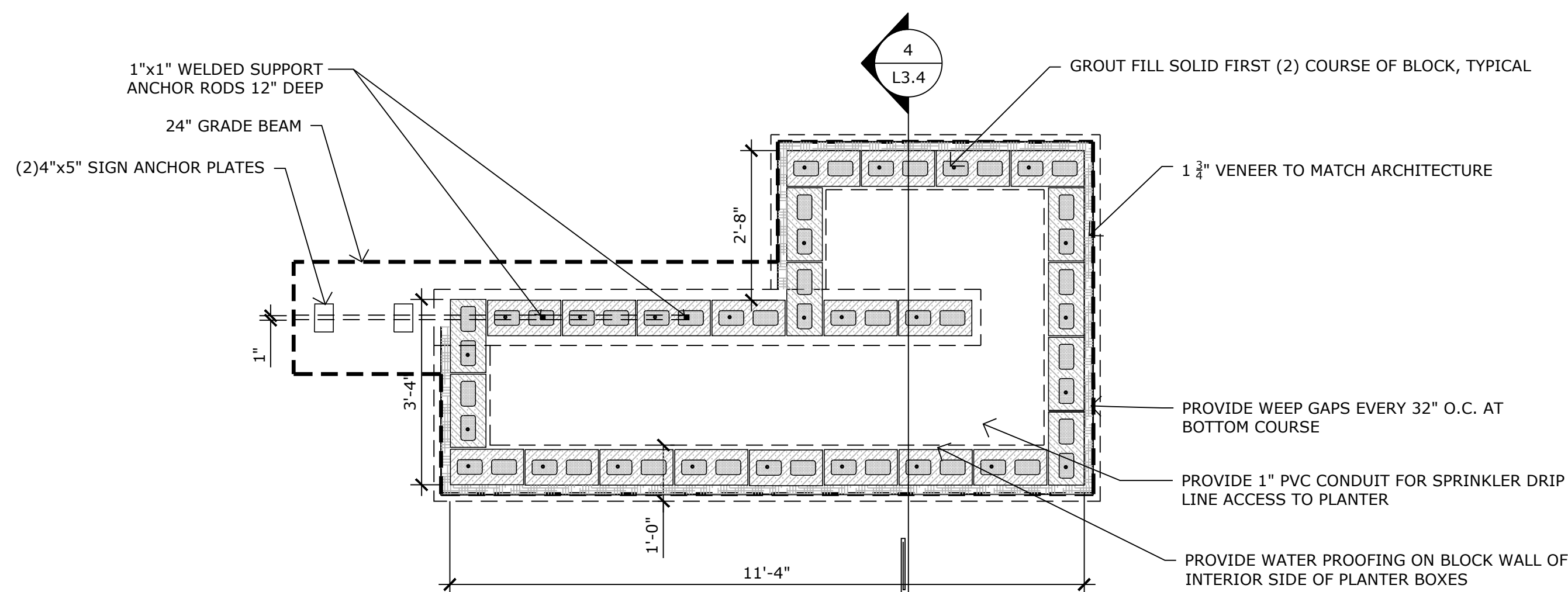
2
L3.4 MAIN MONUMENT SIGN - CAPSTONE PLAN

1/2" = 1'-00"



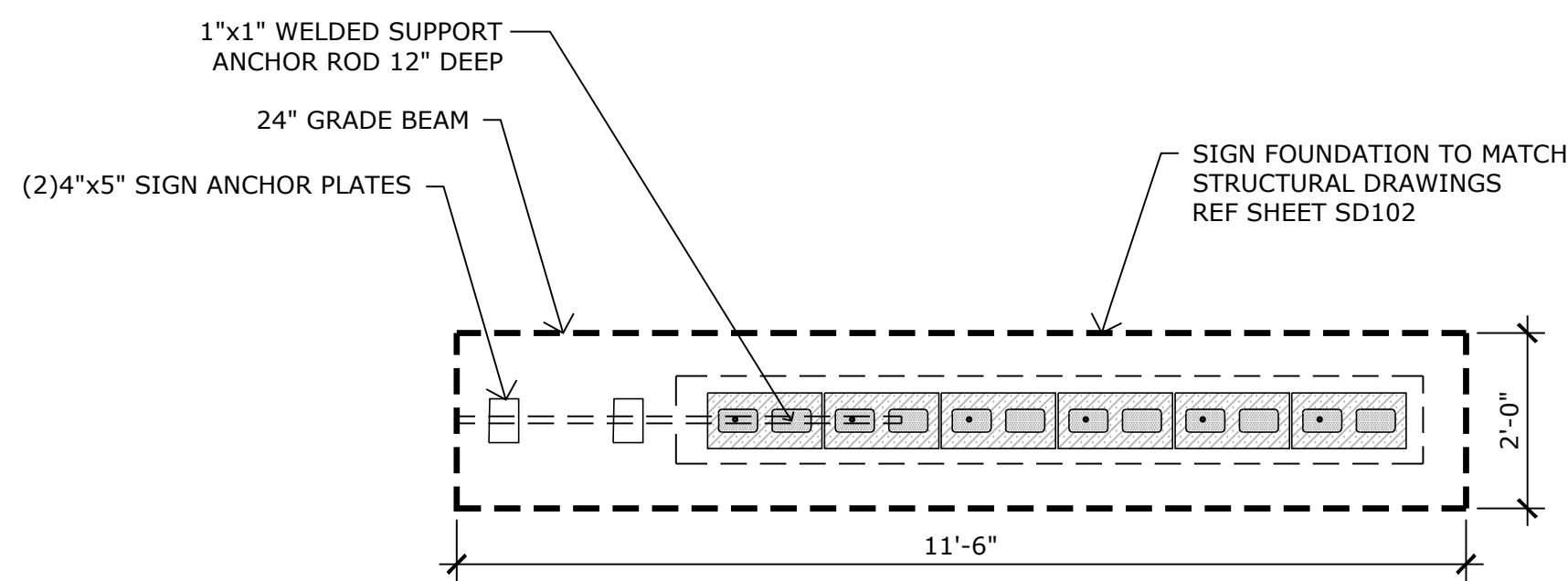
5
L3.4 SECONDARY SIGN - FRONT ELEVATION

1/2" = 1'-00"



3
L3.4 MAIN MONUMENT SIGN - CONSTRUCTION DETAIL

1/2" = 1'-00"



6
L3.4 SECONDARY SIGN - CONSTRUCTION DETAIL

1/2" = 1'-00"