

SITE PHOTOMETRIC PLAN

Scale: 1"=20'
0 20 40
FEET

SITE PHOTOMETRIC SUMMARY

AVERAGE = 0.6 FT. CANDLE
MAXIMUM = 5.0 FT. CANDLE
MINIMUM = 0.0 FT. CANDLE

LIGHTING FIXTURE SCHEDULE

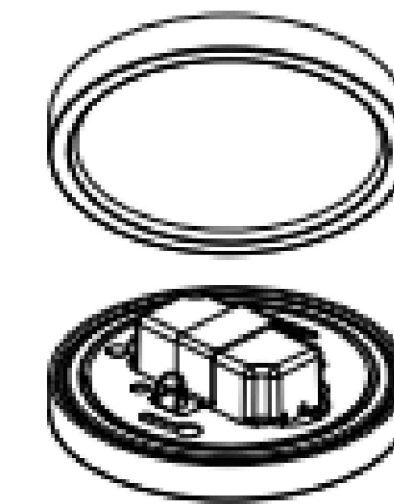
ITEM	NO.	MANUFACTURER	CAT. NO.	LAMPS	MOUNTING	DESCRIPTION
A	2	LITHONIA LIGHTING	WPX1 LED P2 40K MVOLT DDBXD	24 WATT 3000K LED 2,900 LUMENS	WALL +14 FT	EXTERIOR WALL MOUNTED CUT OFF LIGHT
A1	3	LITHONIA LIGHTING	WDGE1 LED P1 30K VW MVOLT	11 WATT 3000K LED 1200 LUMENS	WALL +9 FT	EXTERIOR WALL MOUNTED CUT OFF LIGHT
B	4	LIGHTOLIER	S5R-840K-7	10 WATT 3000K LED 650 LUMENS	UNDER SOFFIT +8 FT	5" THIN SURFACE LED DOWN LIGHT
SA1	1	LITHONIA LIGHTING	DSX1 LED P1 40K T3M-MVOLT-SPA-HSS-DBLBXD	54 WATT 3000K LED 6,967 LUMENS	16 FT POLE	SINGLE HEAD FULL CUT OFF POLE LIGHT ON SQUARE POLE, MOUNTED AT 16 FT ABOVE GRADE TO TOP OF FIXTURE, TYPE III OPTICS,HOUSE SIDE SHIELD
SA2	2	LITHONIA LIGHTING	DSX1 LED P1 40K T4M-MVOLT-SPA-HSS-DBLBXD	54 WATT 3000K LED 6,967 LUMENS	16 FT POLE	SINGLE HEAD FULL CUT OFF POLE LIGHT ON SQUARE POLE, MOUNTED AT 16 FT ABOVE GRADE TO TOP OF FIXTURE, TYPE IV OPTICS,HOUSE SIDE SHIELD
SA3	2	LITHONIA LIGHTING	DSX0 LED P1 40K T3M-MVOLT-SPA-DBLBXD	38 WATT 3000K LED 4,700 LUMENS	10 FT POLE	SINGLE HEAD FULL CUT OFF POLE LIGHT ON SQUARE POLE, MOUNTED AT 10 FT ABOVE GRADE TO TOP OF FIXTURE, TYPE III OPTICS



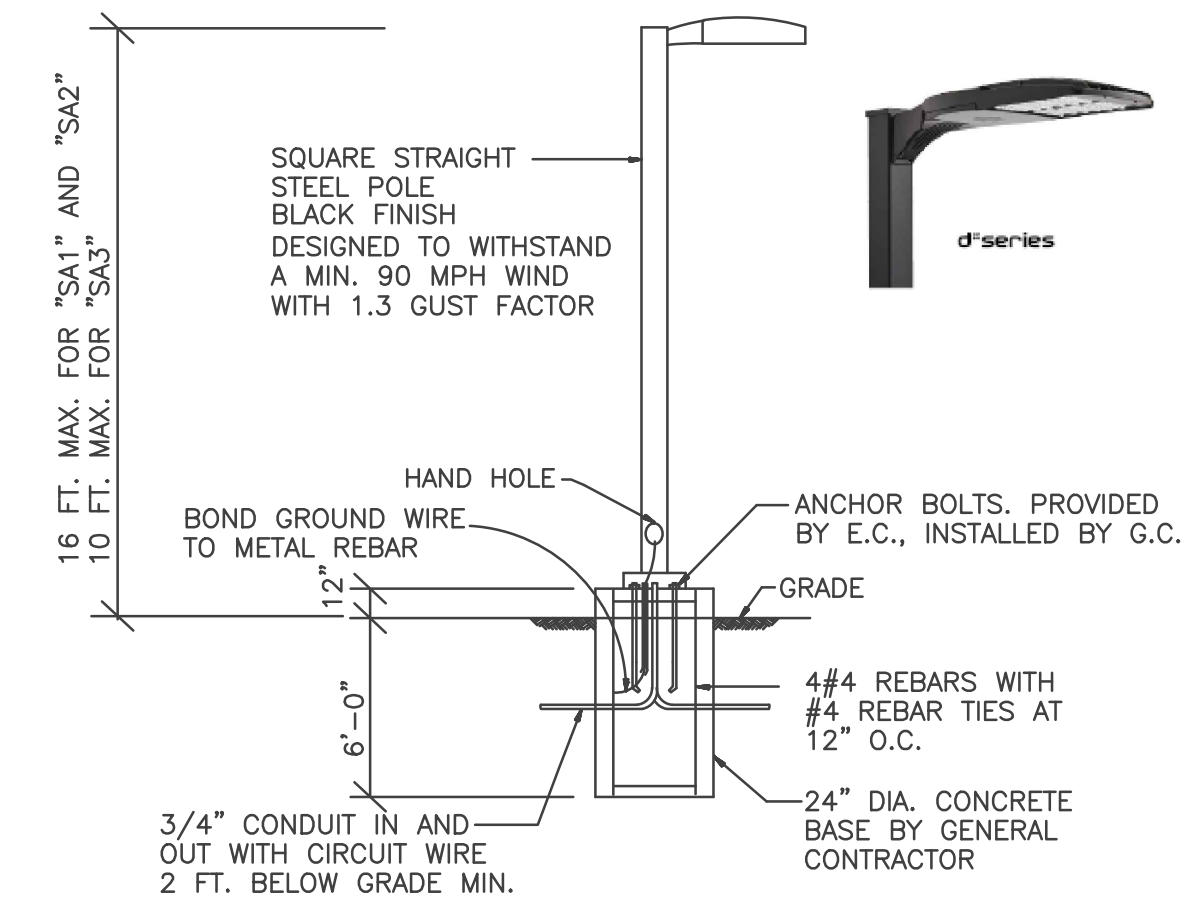
FIXTURE 'A1'



FIXTURE 'A'



FIXTURE 'B'



POLE MOUNTED FIXTURES INSTALLATION DETAIL
FOR FIXTURES "SA1", "SA2" AND "SA3"
NO SCALE

Client: **CD BENT GRASS LLC**
106 S. KYRENE RD.
CHANDLER, AZ 85226
PHONE:
ATTN: B. HAYENGA

NO.	DESCRIPTION	DATE
-	INITIAL SUBMITTAL	03/18/22

ENGINEERING CONSULTANTS
INCORPORATED
ELECTRICAL ENGINEERS
8811 E. Hampden Ave., Ste. 208, Denver, CO 80231
(303) 555-5534 (tel) walter@gecinc.com

PHOTOMETRIC PLAN
DUNKIN BENT GRASS
SITE DEVELOPMENT PLAN
LOT 1A, BENT GRASS EAST COMMERCIAL FILING NO. 2A,
LOCATED IN TOWN OF PEYTON,
COUNTY OF EL PASO, STATE OF COLORADO

WC Civil Team: Date: 2022/03/04
TS, LP
Engineering No.: AS NOTED
Sheet No.:

PERMIT NO.: _____