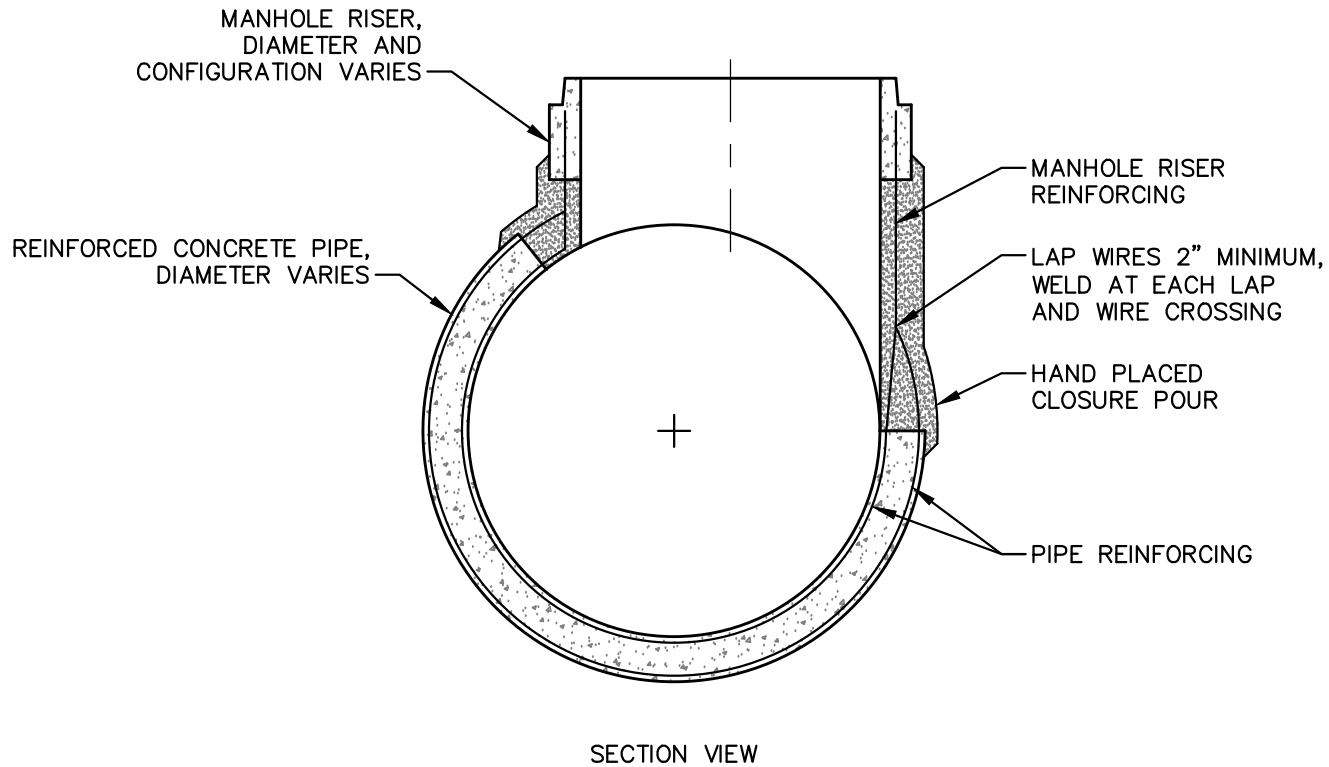



\\ccpmg-fp1\Doc-Trak\ProjectFiles\2021\7021365\7021365PI1\Engineering\Falcon_Meadows_1.dwg, 10/11/2021 1:14:14 PM



- NOTES:
1. RCP ASTM C76 CLASS 3
 2. RISER ASTM C478
 3. LAP SPLICE AND WELDS PER ASTM C76 AND C478
 4. SEE DETAIL DRAWINGS FOR PIPE AND MANHOLE CONFIGURATION



 9455 BOSTON COURT HENDERSON, CO 80640 303-853-8053	FALCON MEADOWS AT BENT GRASS F1 FOR: FRAZEE CONSTRUCTION		
	DETAIL DRAWING T-BASE MANHOLE CLOSURE POUR		
THIS BAR IS ONE INCH ON ORIGINAL DRAWING 0 ————— 1" IF THIS BAR IS NOT ONE INCH ADJUST SCALE	DRAWN BY JKC	SO# 7021365PI1	REV -
	SCALE NONE	DATE 10-11-21	SHEET 1 OF 1