

1. GC TO VERIFY ALL HEIGHTS AND AZIMUTHS IN FIELD PRIOR TO CONSTRUCTION. GC SHALL NOTIFY T-MOBILE AND ENGINEER OF DISCREPANCIES IMMEDIATELY.

2. STRUCTURAL/DESIGN & ANALYSIS SHALL BE PREFORMED & APPROVED BY TOWER OWNER AND MANUFACTURER (STRUCTURAL ANALYSIS BY OTHERS).

3. STRUCTURAL ANALYSIS PERFORMED BY OTHERS. CONTRACTOR TO THOROUGHLY REVIEW THE TOWER STRUCTURAL ANALYSIS FOR INFORMATION PERTAINING TO TOWER UPGRADES, MOUNTING TYPES, ANTENNA HEIGHTS AND CABLE ROUTING, ANY OTHER DISCREPANCIES BETWEEN DRAWINGS, STRUCTURAL ANALYSIS AND TOWER PLANS SHOULD BE BROUGHT TO THE ATTENTION OF THE PROJECT MANAGER PRIOR TO BIDDING AND INSTALLATION.

4. POWDER RIVER DEVELOPMENT SERVICES, LLC HAS NOT PERFORMED STRUCTURAL ANALYSES FOR THE NEW EQUIPMENT MOUNTS, NOR THE SUPPORTING STRUCTURE, AND ASSUMES NO RESPONSIBILITY FOR ITS ABILITY TO SUPPORT THE PROPOSED MODIFICATIONS. PRIOR TO CONSTRUCTION, STRUCTURAL ANALYSIS (BY OTHERS) SHALL BE PERFORMED FOR ALL TOWERS, ROOFTOPS, FLAGPOLES, LIGHT POLES AND ASSOCIATED EQUIPMENT MOUNTS.

CL OF EXISTING ANTENNAS (OTHERS)
EL. 123'-0" (AGL)

CL OF EXISTING & NEW T-MOBILE ANTENNAS
EL. 109'-0" (AGL)

CL OF EXISTING MICROWAVE (OTHERS)
EL. 65'-0" (AGL)

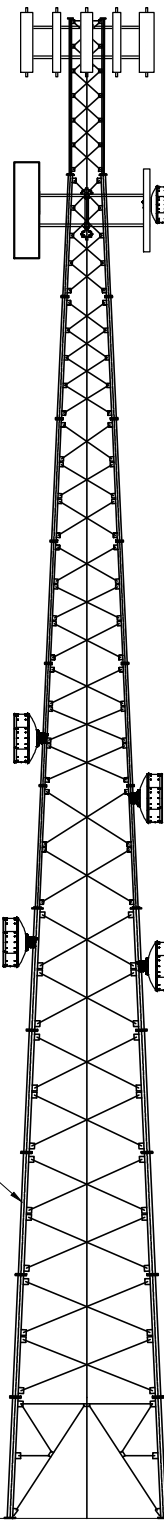
CL OF EXISTING MICROWAVE (OTHERS)
EL. 60'-0" (AGL)

CL OF EXISTING MICROWAVE (OTHERS)
EL. 48'-0" (AGL)

CL OF EXISTING MICROWAVE (OTHERS)
EL. 46'-0" (AGL)

GRADE
EL. 0'-0" (AGL)

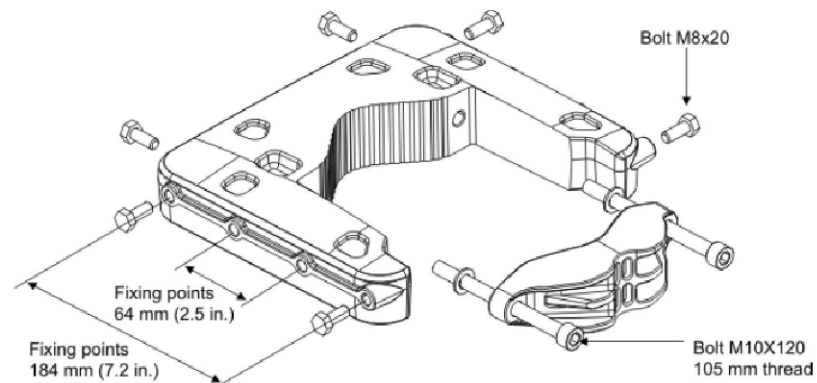
EXISTING SELF SUPPORT TOWER



Flexi Pole Kit (FPKA) description

This section describes Flexi Pole Kit (FPKA) 471649A.

Figure: Flexi Pole Kit (FPKA)



Flexi Pole Kit (FPKA) can be used as follows:

- Version 101: poles between 60 mm (2.4 in.) and 120 mm (4.7 in.) in diameter
- Version 202: poles between 30 mm (1.2 in.) and 120 mm (4.7 in.) in diameter (the bracket strainer is flipped around when the pole size is 59 mm or smaller in diameter)

The width of the fixing points is 184 mm (7.2 in) and 64 mm (2.5 in). There are fixing points on three sides of the FPKA. The M10 screws should be tightened to 30 Nm (22.13 ft-lb) and the M8 screws to 20 Nm (14.75 ft-lb). The maximum allowed weight on the FPKA is 160 kg (352.7 lbs). Two FPKA kits support two FMFAs, one on each side of the pole. Each FMFA (plinth) can support a maximum of two 2U or 3U Flexi modules with casings, cables, and auxiliary boxes (for example, OVP). Note that for larger configurations it is recommended to use the FPKC pole kit.

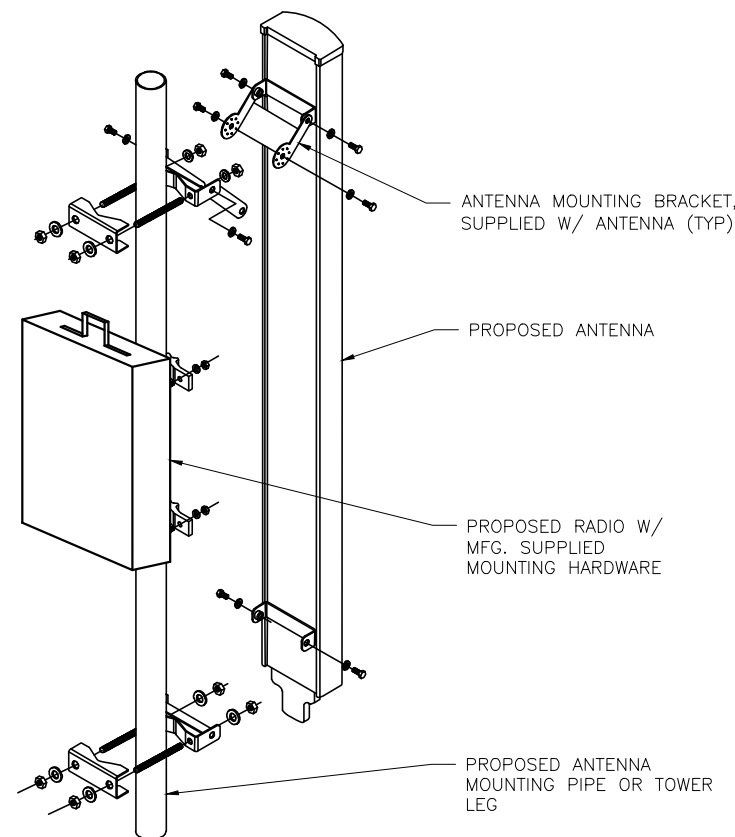
Installation with Remote Radio Heads

The FPKA has room for three Remote Radio Heads (FRIG/FRHE/FRHD/FHPC excluded). It is possible to use three installation directions. See Figure: FPKA with three Remote Radio Heads for the FPKA installation with three Remote Radio Heads.

FPKA DETAIL

SCALE: N.T.S.

1



TOWER ELEVATION

SCALE: 1/16" = 1'-0" (11x17)

3

RADIO MOUNTING DETAIL

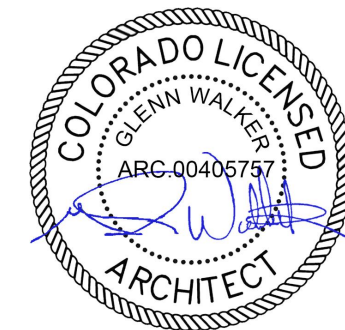
SCALE: N.T.S.

2



BUSINESS LICENSE #: N/A

| REVISIONS | | | |
|-----------|----------|-----------------------|-----|
| REV | DATE | DESCRIPTION | INT |
| 4 | 06/02/21 | REVISIONS | JHT |
| 3 | 06/02/21 | REVISIONS | JHT |
| 2 | 07/05/19 | REVISIONS | KS |
| 1 | 05/16/19 | REVISIONS | DLD |
| 0 | 05/02/19 | 100% CONSTRUCTION | SAM |
| A | 04/19/19 | ISSUED FOR REVIEW 90% | JPN |



06/18/2021

THESE PLANS AND SPECIFICATIONS, AS INSTRUMENTS OF SERVICE, ARE AND SHALL REMAIN THE PROPERTY OF POWDER RIVER DEVELOPMENT SERVICES, LLC WHETHER THE PROJECTS FOR WHICH THEY ARE MADE ARE EXECUTED OR NOT. THESE DRAWINGS AND SPECIFICATIONS SHALL NOT BE USED BY ANY PERSON OR ENTITY ON OTHER PROJECTS WITHOUT PRIOR WRITTEN CONSENT OF THE ENGINEER.

SITE INFORMATION

T-MOBILE #: DN04253A

ATC #: 383496

15739 PHANTOM CANYON VIEW
COLORADO SPRINGS, CO
80926

SHEET TITLE:

ELEVATIONS

SHEET NUMBER:

C-2