

HR GREEN - COLORADO SPRINGS
1975 RESEARCH PARKWAY SUITE 160
COLORADO SPRINGS, CO 80920
PHONE: 719.300.4140
FAX: 713.965.0044

ABBREVIATIONS

Δ	DEFLECTION ANGLE	FOC	FIBER OPTICS CABLE
Ø	DIAMETER	FT	FOOT OR FEET
AASHTO	AMERICAN ASSOCIATION OF STATE HIGHWAY AND TRANSPORTATION OFFICIALS	GB	GRADE BREAK
ABC	ASPHALT BASE COURSE	GAL	GALLON
ABD	ABANDONED	HDPE	HIGH DENSITY POLYETHYLENE
AC	ACRE	HC RAMP	HANDICAP RAMP
ADA	THE AMERICANS WITH DISABILITIES ACT	HW	HEADWALL
ASPH	ASPHALT	INV	INVERT
ASS'Y	ASSEMBLY	KM	KILOMETER
ASTM	AMERICAN SOCIETY FOR TESTING MATERIALS	L	LENGTH
BFE	BASE FLOOD ELEVATION	LF	LINEAR FEET
BLDG	BUILDING	M	METER
BLVD	BOULEVARD	MIN	MINIMUM
BM	BENCH MARK	MISC	MISCELLANEOUS
BNDY	BOUNDARY	MAINT	MAINTENANCE
BOP	BOTTOM OF POND	MAX	MAXIMUM
BW	BOTTOM OF WALL	MH	MANHOLE
C&G	CURB AND GUTTER	MP	MIDPOINT
CA	COARSE AGGREGATE	N	NORTH/NORTHING
CATV	CABLE TELEVISION	NO	NUMBER
CB	CHORD BEARING/CATCH BASIN	OC	ON CENTER
CFS	CUBIC FEET PER SECOND	OH	OVERHEAD
CIP	CAST IRON PIPE	PB	PUBLIC
CL	CENTER LINE	PC	POINT OF CURVATURE
CMP	CORRUGATED METAL PIPE	PCC	POINT OF COMPOUND CURVATURE
COMP	COMPOSITE	PCR	POINT OF CURB RETURN
CONC	CONCRETE	PI	POINT OF INTERSECTION
CONSTR	CONSTRUCT OR CONSTRUCTION	PIE	PUBLIC IMPROVEMENT ESMT
CSP	CORRUGATED STEEL PIPE	PT	POINT OF TANGENCY
CSU	COLORADO SPRINGS UTILITIES	PRC	PROPOSED
CT	COURT	PRC	POINT OF REVERSE CURVATURE
CTR	CENTER	PRV	PRESSURE REDUCING VALVE
CU	COPPER	PVT	PRIVATE
CY	CUBIC YARD	PUAE	PUBLIC UTILITY AND ACCESS ESMT
DBL	DOUBLE	PUADE	PUBLIC UTILITY, ACCESS AND DRAINAGE ESMT
DEG	DEGREE	PVC	POLYVINYL CHLORIDE
DET	DETAIL	R	RADIUS
DEPT	DEPARTMENT	REC	RECEPTION
DIM	DIMENSION	RCBC	REINFORCED CONCRETE BOX CULVERT
DIP	DUCTILE IRON PIPE	S	SOUTH
DOT	DEPARTMENT OF TRANSPORTATION	SHT	SHEET
DWG	DRAWING	SQ	SQUARE
E	EAST/EASTING	SW	SPILLWAY
EL	ELEVATION	TBC	TOP BACK OF CURB
ELEC	ELECTRIC	TC	TRICKLE CHANNEL
EOG	EDGE OF GUTTER	TOP	TOP OF POND
EOP	EDGE OF PAVEMENT	TW	TOP OF WALL
ESMT	EASEMENT	TYP	TYPICAL
EW	ENDWALL	UG	UNDERGROUND
EX	EXISTING	VERT	VERTICAL
FD	FRENCH DRAIN	W	WEST
FDC	FIRE DEPARTMENT CONNECTION	WW	WASTEWATER
FE	FLANGE ELEVATION	WWF	WELDED WIRE FABRIC
FES	FLARED END SECTION	W	WITH
FF	FINISHED FLOOR	W/O	WITHOUT
FG	FINISHED GRADE	YD	YARD
FH	FIRE HYDRANT		
FHWA	FEDERAL HIGHWAY ADMINISTRATION		
FL	FLOW LINE		

FROUDE NUMBER CALCULATIONS: 100-YR

SECTION	VELOCITY	GRAVITATIONAL CONSTANT	HYDRAULIC DEPTH	XSECTIONAL AREA	TOP WIDTH	FROUDE #
	FT/S	FT/S ²	FT	FT ²	FT	N/A
A-A	3.78	32.17	0.50	10.20	20.20	0.94
STREET SECTION 1	4.26	32.17	0.62	5.40	8.71	0.95
STREET SECTION 2	6.60	32.17	0.44	2.70	6.16	1.76
STREET SECTION 3	3.49	32.17	0.27	1.00	3.69	1.18

SHEAR STRESS CALCULATIONS: 100-YR

SECTION	UNIT WEIGHT OF WATER	DEPTH OF FLOW	SLOPE	SHEAR STRESS
	LB/FT ³	FT	FT/FT	LB/FT ²
A-A	62.43	0.60	0.020	0.75
STREET SECTION 1	62.43	1.20	0.020	1.50
STREET SECTION 2	62.43	0.90	0.076	4.27
STREET SECTION 3	62.43	0.50	0.042	1.31

CHANNEL LINING DETERMINATION

SECTION	CALCULATED VALUES		P300 MAX VALUES		LINING REQUIRED
	SHEAR STRESS	VELOCITY	SHEAR STRESS	VELOCITY	
A-A	0.75	3.78	3.00	9.00	P300
STREET SECTION 1	1.50	4.26	3.00	9.00	P300
STREET SECTION 2	4.27	6.60	3.00	9.00	TMAX
STREET SECTION 3	1.31	3.49	3.00	9.00	P300

LEGEND

EXISTING PROPOSED

STORM SEWER
MANHOLE
STORM INLET
FLARED END SECTION
RIPRAP

SANITARY SEWER
CLEAN OUT
MANHOLE
PLUG

WATER
FIRE HYDRANT
FIRE DEPT. CONNECTION
GATE VALVE
MANHOLE
METER
TEE
REDUCER

DRY UTILITIES
ELECTRIC METER
ELECTRIC PEDESTAL
ELECTRICAL CABINET
ELECTRIC VAULT
FIBER OPTIC PULL BOX
FIBER OPTIC MANHOLE
FIBER OPTIC PEDESTAL
FIBER OPTIC SIGN
FIBER OPTIC VAULT
GAS METER
GAS SIGN
GAS VAULT
TELEPHONE CABINET
TELEPHONE MANHOLE
TELEPHONE SIGNAL/MAST
TELEPHONE SIGN
TELEPHONE PEDESTAL
TRANSFORMER
LIGHT POLE
FIBER OPTIC VAULT

MISCELLANEOUS
SIGN
BOLLARD
ACCESSIBLE PARKING

DRAINAGE
DRAINAGE BASIN

DESIGN POINT

BASIN TAG
A1
AREA (AC.)
1.00 0.40
0.60
MINOR 5-YR RUNOFF COEF.
MAJOR 100-YR RUNOFF COEF.

GEOHAZARD

DRAWN BY: AMC	JOB DATE: 10/3/2024	BAR IS ONE INCH ON OFFICIAL DRAWINGS.
APPROVED: RDL	JOB NUMBER: 211030.25	0" = 1"
CAD DATE: 10/3/2024		IF NOT ONE INCH, ADJUST SCALE ACCORDINGLY.
CAD FILE: J:\2021\211030\CAD\DWG\C\I\Filing_No_5\GEC\GEC-Cover		

NO.	DATE	BY	REVISION DESCRIPTION

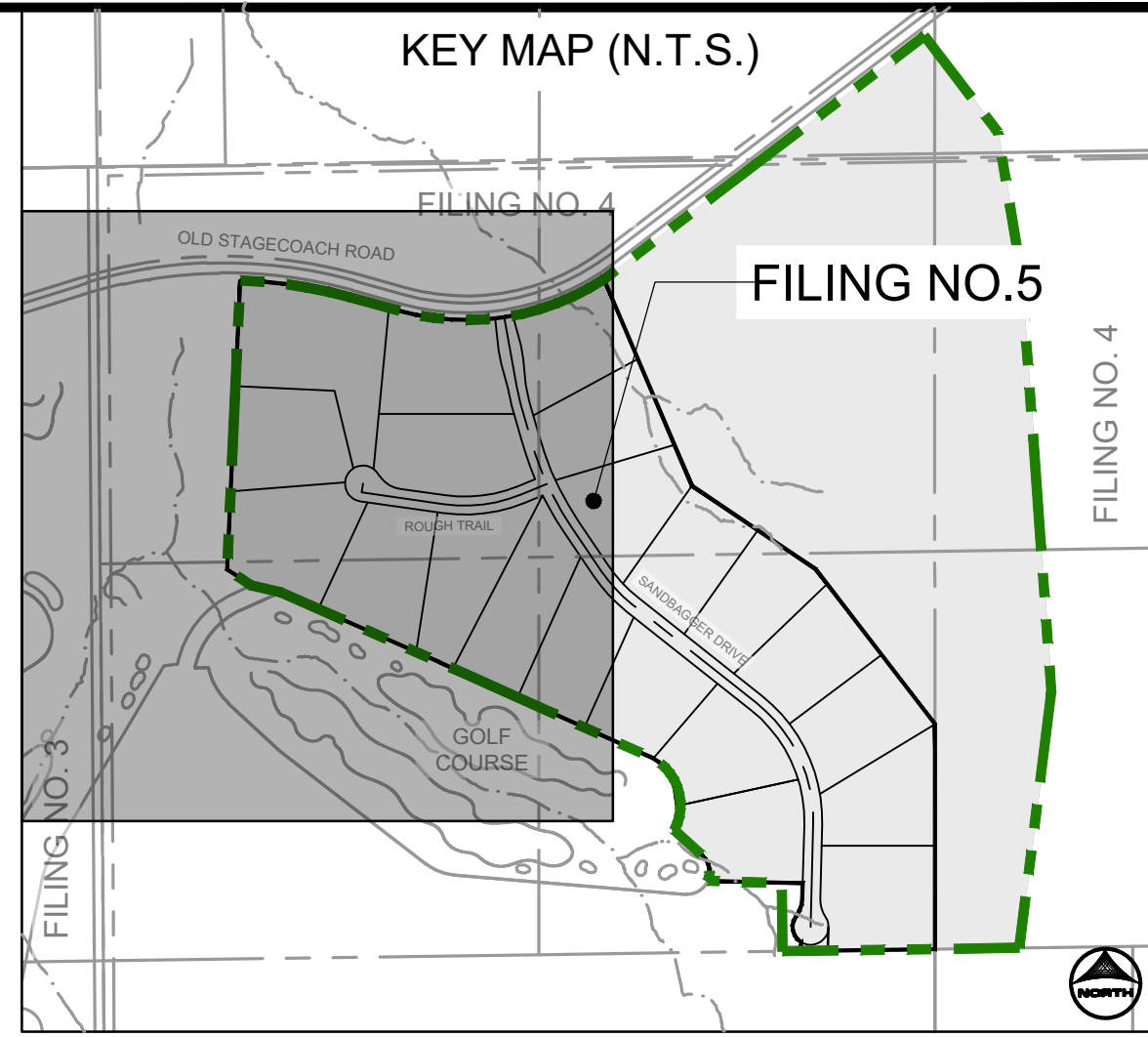
HR GREEN - COLORADO SPRINGS
1975 RESEARCH PARKWAY SUITE 160
COLORADO SPRINGS, CO 80920
PHONE: 719.300.4140
FAX: 713.965.0044

FLYING HORSE NORTH FILING NO. 5
PRI #2, LLC.
EL PASO COUNTY, CO

GRADIN & EROSION CONTROL PLAN
LEGEND

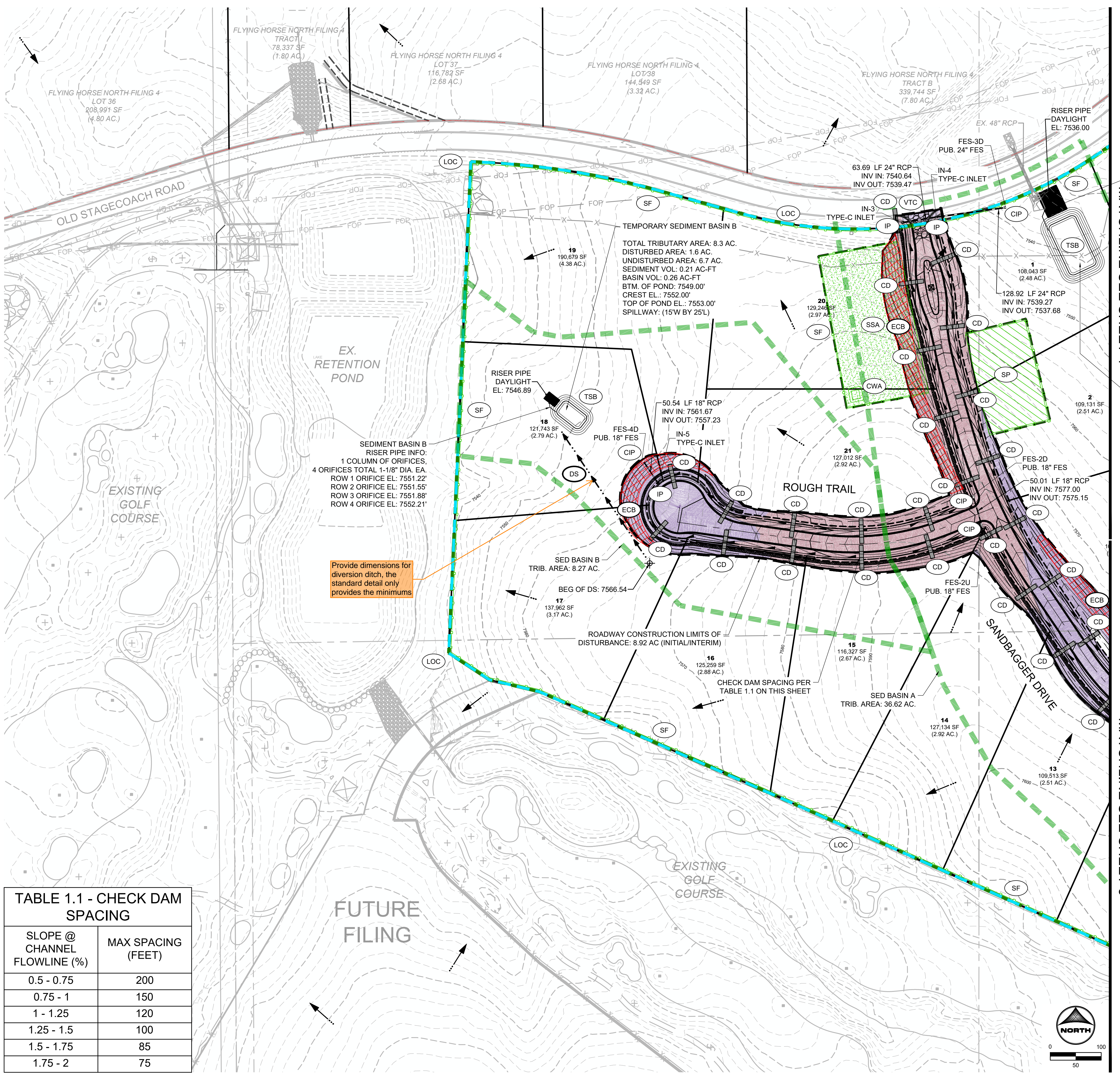
CULLIG, ABBEY, 10/3/2024, 3:35 PM

HR GREEN - COLORADO SPRINGS 1975 RESEARCH PARKWAY SUITE 160 COLORADO SPRINGS, CO 80920 PHONE: 719.300.4140 FAX: 713.965.0044



GEC Checklist Item bb - clearly label the two existing permanent stormwater management facilities that are treating the project site.

Provide more contour labels so it is easier to verify elevations.



MATCHLINE SEE SHEET 4

MATCHLINE SEE SHEET 5

GEC LEGEND:		PHASE:	
[Symbol]	SILT FENCE	[Symbol]	INITIAL/INTERIM
[Symbol]	STABILIZED STAGING AREA	[Symbol]	INITIAL/INTERIM
[Symbol]	STOCKPILE MANAGEMENT	[Symbol]	INITIAL/INTERIM
[Symbol]	INLET PROTECTION: IP-1 TO BE USED ON ALL INLETS	[Symbol]	INTERIM
[Symbol]	CULVERT INLET PROTECTION	[Symbol]	INTERIM
[Symbol]	VEHICLE TRACKING CONTROL	[Symbol]	INITIAL
[Symbol]	DRAINAGE SWALE	[Symbol]	INTERIM
[Symbol]	LIMITS OF CONSTRUCTION	[Symbol]	INITIAL/INTERIM/FINAL
[Symbol]	LIMITS OF DISTURBANCE	[Symbol]	INITIAL/INTERIM/FINAL
[Symbol]	CUT CONDITION	[Symbol]	
[Symbol]	FILL CONDITION	[Symbol]	
[Symbol]	FLOW DIRECTION	[Symbol]	
[Symbol]	EROSION CONTROL BLANKET	[Symbol]	INTERIM/FINAL
[Symbol]	CHECK DAM (STRAW BALE)	[Symbol]	INTERIM
[Symbol]	CONCRETE WASH OUT	[Symbol]	INITIAL
[Symbol]	TEMPORARY SEDIMENT BASIN	[Symbol]	INITIAL
[Symbol]	TSB TRIBUTARY AREA DELINEATION	[Symbol]	INITIAL

GRADING & EROSION CONTROL PLAN NOTES:

- SEE SHEET 9-10 FOR EL PASO COUNTY GRADING AND EROSION CONTROL DETAILS.
- ALL STORMWATER MANAGEMENT MEASURES SHOWN ON THIS PLAN MUST BE INSTALLED AND MAINTAINED PER THE EL PASO COUNTY STORMWATER CONSTRUCTION MANUAL; LATEST REVISIONS.
- AREA WITHIN LIMITS OF DISTURBANCE TO BE CLEARED, GRUBBED AND STOCKPILED PRIOR TO IMPORT OF ANY FILL.
- ALL GREATER THAN 4:1 SLOPES MUST RECEIVE SLOPE TRACKING TREATMENT AND EROSION CONTROL BLANKET.
- STOCKPILES REQUIRED DURING ONSITE CONSTRUCTION ACTIVITIES WILL BE PLACED AT THE DISCRETION OF THE CONTRACTOR. STOCKPILING OF MATERIAL MUST NOT OCCUR OUTSIDE THE LIMITS OF DISTURBANCE SHOWN ON THIS PLAN.
- NON-STRUCTURAL CONTROLS (I.E. STREET SWEEPING) WILL BE AT THE DISCRETION OF THE PROJECT'S CERTIFIED GEC ADMINISTRATOR THROUGHOUT THE DURATION OF LAND DISTURBING ACTIVITIES.
- THERE ARE NO ANTICIPATED ASPHALT AND/OR CONCRETE BATCH PLANTS, OR MASONRY MIX STATIONS ASSOCIATED WITH THIS PROJECT. IF THE CONTRACTOR REQUIRES A ASPHALT/CONCRETE BATCH PLANTS OR MASONRY MIX STATIONS, THESE PLANS WILL BE AMENDED AS REQUIRED.
- THERE ARE NO EXISTING PRESERVATION EASEMENTS LOCATED ON SITE.
- ONSITE EXISTING VEGETATION IS NATIVE GRASSES AND WEEDS. THERE IS NO NOTABLE VEGETATION OTHERWISE.
- THE NATURAL TERTIARY SWALE THROUGH LOTS 16 AND 17 IS PLATTED AS A PUBLIC DRAINAGE EASEMENT WITH A VARIED WIDTH. THE EASEMENT IS TO HAVE TMAX TRM INSTALLED WITH PERMANENT SEEDING. ALL OTHER NATURAL TERTIARY SWALES DO NOT REQUIRE TRM AND ARE NOT TO BE DISTURBED. AREAS REQUIRING ROLLMAX TRM (TMAX OR P300) ARE CALLED OUT ON THE PLANS AND ARE AREAS NEAR POND CONCRETE RUNDOWNS OR ROADSIDE SWALES. SEE THE PERMANENT CHANNEL LINING PROVIDED ON SHEET 2.
- ALL ROADSIDE DITCHES ARE TO HAVE PERMANENT TRM (ROLLMAX P300 OR EQUIV.) INSTALLED.
- ALL CULVERTS ARE TO HAVE RIP-RAP INSTALLED AT OUTLET POINTS AS SEEN IN STORM CONSTRUCTION DRAWINGS.

PROJECT INFO:

BASE SURFACE: EXISTING-FULL COMPARISON SURFACE: FILING-5-FG

CUT FACTOR: 1.00
 FILL FACTOR: 1.15
 CUT VOLUME(ADJUSTED): 27760.72 CUBIC YARDS
 FILL VOLUME(ADJUSTED): 28766.77 CUBIC YARDS
 NET VOLUME(ADJUSTED): 1006.04 (FILL) CUBIC YARDS

CUT FACTOR: 1.00
 FILL FACTOR: 1.00
 CUT VOLUME(UNADJUSTED): 27760.72 CUBIC YARDS
 FILL VOLUME(UNADJUSTED): 25014.58 CUBIC YARDS
 NET VOLUME(UNADJUSTED): 2746.14(CUT) CUBIC YARDS

LOC - LIMITS OF CONSTRUCTION (ENTIRE FILING PERIMETER CONTROL) = 115.57 AC

LOD - LIMITS OF DISTURBANCE (ROADWAYS, UTILITIES, GRADING) = 10.62 AC

SLOPE @ CHANNEL FLOWLINE (%)	MAX SPACING (FEET)
0.5 - 0.75	200
0.75 - 1	150
1 - 1.25	120
1.25 - 1.5	100
1.5 - 1.75	85
1.75 - 2	75

FUTURE FILING

Provide dimensions for diversion ditch, the standard detail only provides the minimums

DRAWN BY: CMD JOB DATE: 10/3/2024 BAR IS ONE INCH ON OFFICIAL DRAWINGS.
 APPROVED: RDL JOB NUMBER: 211030 0" = 11'
 CAD DATE: 10/3/2024 IF NOT ONE INCH, ADJUST SCALE ACCORDINGLY.
 CAD FILE: J:\2021\211030\CAD\DWG\C\Filing_No_5\GEC\GEC-Initial-Interim

NO.	DATE	BY	REVISION DESCRIPTION

HRGreen HR GREEN - COLORADO SPRINGS
 1975 RESEARCH PARKWAY SUITE 160
 COLORADO SPRINGS, CO 80920
 PHONE: 719.300.4140
 FAX: 713.965.0044

FLYING HORSE NORTH FILING NO. 5
 PRI #2, LLC.
 EL PASO COUNTY, CO

GRADING & EROSION CONTROL PLAN
 INITIAL & INTERIM GEC

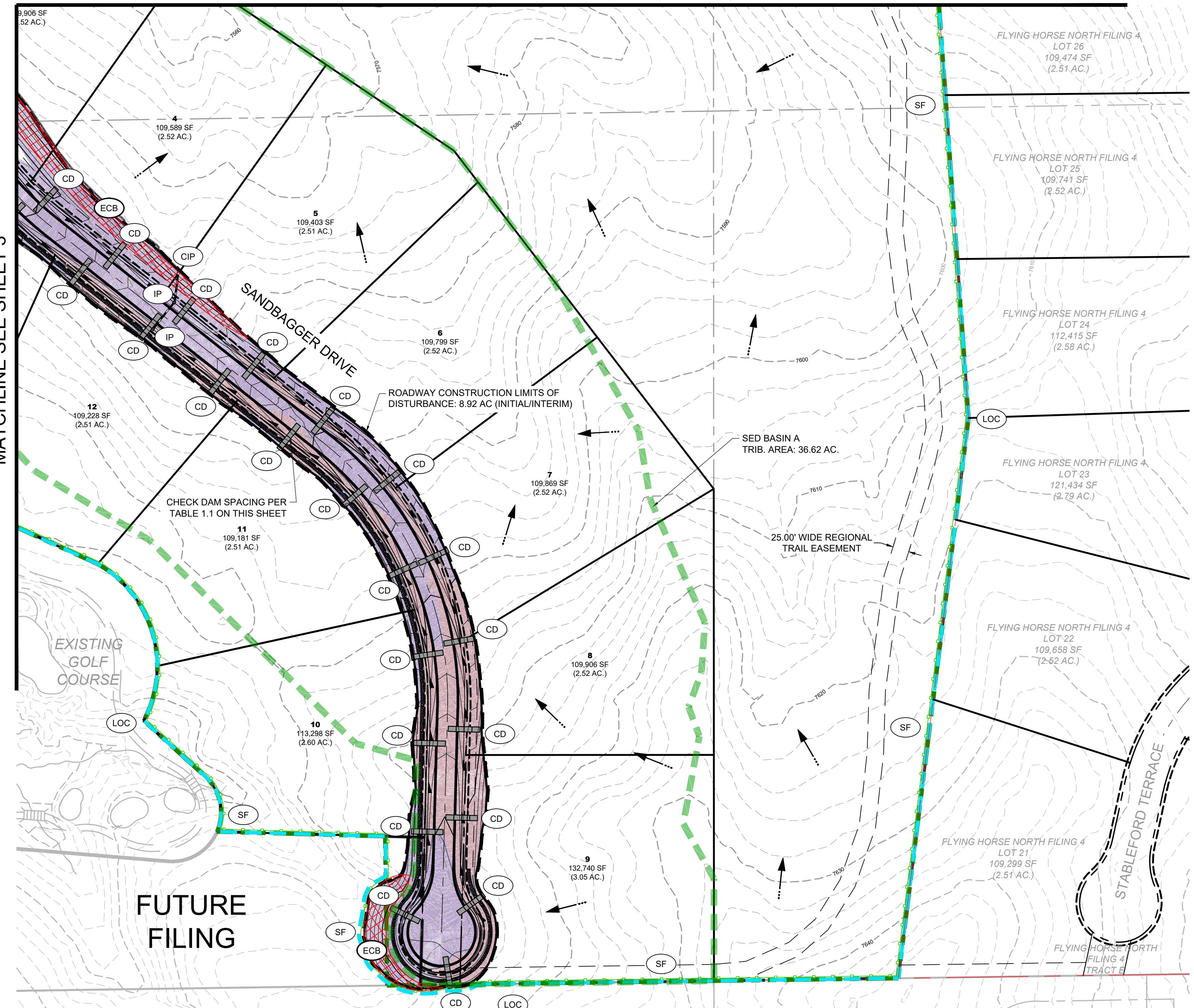
SHEET GEC 3

PCD FILE NO: SF####

CULLIG, ABBEY, 10/3/2024 3:14 PM

MATCHLINE SEE SHEET 4

MATCHLINE SEE SHEET 3



Provide elevations for contours, there are some but it is limited especially near the

14820 BLACK FOREST ROAD
SCH. NO. 510000291
UNPLATTED
ZONING: RR-5
~60 AC.

LOT 6
COUNTRY VIEW
ESTATES

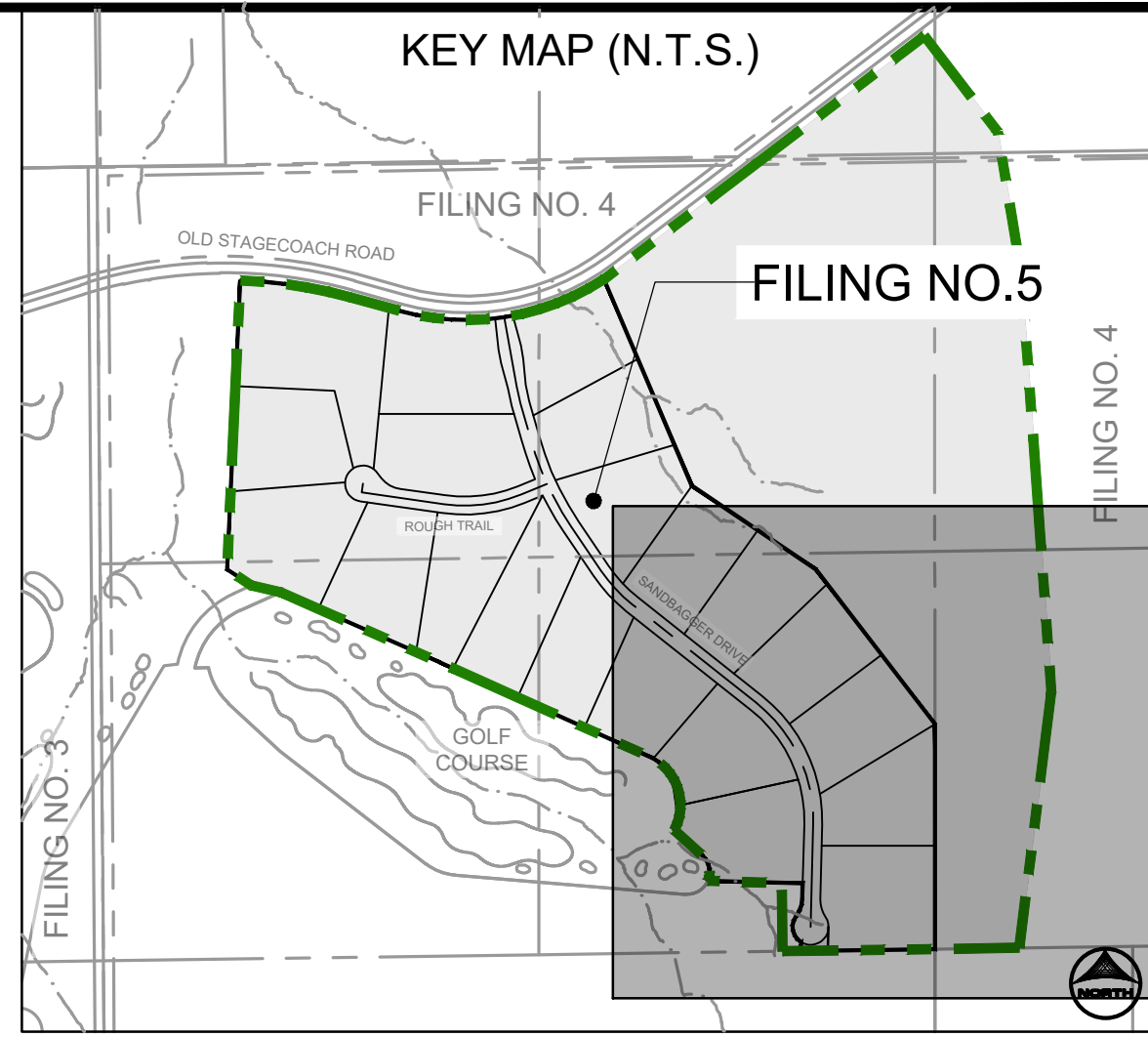
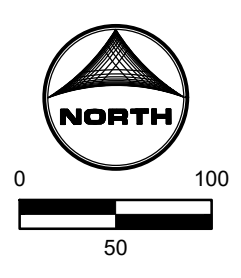


TABLE 1.1 - CHECK DAM SPACING

SLOPE @ CHANNEL FLOWLINE (%)	MAX SPACING (FEET)
0.5 - 0.75	200
0.75 - 1	150
1 - 1.25	120
1.25 - 1.5	100
1.5 - 1.75	85
1.75 - 2	75

GEC LEGEND:

Symbol	Description	Phase
SF	SILT FENCE	INITIAL/INTERIM
SSA	STABILIZED STAGING AREA	INITIAL/INTERIM
SP	STOCKPILE MANAGEMENT	INITIAL/INTERIM
IP	INLET PROTECTION: IP-1 TO BE USED ON ALL INLETS	INTERIM
CIP	CULVERT INLET PROTECTION	INTERIM
VTC	VEHICLE TRACKING CONTROL	INITIAL
DS	DRAINAGE SWALE	INTERIM
LOC	LIMITS OF CONSTRUCTION	INITIAL/INTERIM/FINAL
LOD	LIMITS OF DISTURBANCE	INITIAL/INTERIM/FINAL
FC	FILL CONDITION	
FD	FLOW DIRECTION	
ECB	EROSION CONTROL BLANKET	INTERIM/FINAL
CD	CHECK DAM (STRAW BALE)	INTERIM
CWA	CONCRETE WASH OUT	INITIAL
TSB	TEMPORARY SEDIMENT BASIN	INITIAL
TA	TSB TRIBUTARY AREA DELINEATION	INITIAL

GRADING & EROSION CONTROL PLAN NOTES:

- SEE SHEET 9-10 FOR EL PASO COUNTY GRADING AND EROSION CONTROL DETAILS.
- ALL STORMWATER MANAGEMENT MEASURES SHOWN ON THIS PLAN MUST BE INSTALLED AND MAINTAINED PER THE EL PASO COUNTY STORMWATER CONSTRUCTION MANUAL; LATEST REVISIONS.
- AREA WITHIN LIMITS OF DISTURBANCE TO BE CLEARED, GRUBBED AND STOCKPILED PRIOR TO IMPORT OF ANY FILL.
- ALL GREATER THAN 4:1 SLOPES MUST RECEIVE SLOPE TRACKING TREATMENT AND EROSION CONTROL BLANKET.
- STOCKPILES REQUIRED DURING ONSITE CONSTRUCTION ACTIVITIES WILL BE PLACED AT THE DISCRETION OF THE CONTRACTOR. STOCKPILING OF MATERIAL MUST NOT OCCUR OUTSIDE THE LIMITS OF DISTURBANCE SHOWN ON THIS PLAN.
- NON-STRUCTURAL CONTROLS (I.E. STREET SWEEPING) WILL BE AT THE DISCRETION OF THE PROJECT'S CERTIFIED GEC ADMINISTRATOR THROUGHOUT THE DURATION OF LAND DISTURBING ACTIVITIES.
- THERE ARE NO ANTICIPATED ASPHALT AND/OR CONCRETE BATCH PLANTS, OR MASONRY MIX STATIONS ASSOCIATED WITH THIS PROJECT. IF THE CONTRACTOR REQUIRES AN ASPHALT/CONCRETE BATCH PLANTS OR MASONRY MIX STATIONS, THESE PLANS WILL BE AMENDED AS REQUIRED.
- THERE ARE NO EXISTING PRESERVATION EASEMENTS LOCATED ON SITE.
- ONSITE EXISTING VEGETATION IS NATIVE GRASSES AND WEEDS. THERE IS NO NOTABLE VEGETATION OTHERWISE.
- THE NATURAL TERTIARY SWALE THROUGH LOTS 16 AND 17 IS PLATTED AS A PUBLIC DRAINAGE EASEMENT WITH A VARIED WIDTH. THE EASEMENT IS TO HAVE TMAX TRM INSTALLED WITH PERMANENT SEEDING. ALL OTHER NATURAL TERTIARY SWALES DO NOT REQUIRE TRM AND ARE NOT TO BE DISTURBED. AREAS REQUIRING ROLLMAX TRM (TMAX OR P300) ARE CALLED OUT ON THE PLANS AND ARE AREAS NEAR POND CONCRETE RUNDOWNS OR ROADSIDE SWALES. SEE THE PERMANENT CHANNEL LINING PROVIDED ON SHEET 2.
- ALL ROADSIDE DITCHES ARE TO HAVE PERMANENT TRM (ROLLMAX P300 OR EQUIV.) INSTALLED.
- ALL CULVERTS ARE TO HAVE RIP-RAP INSTALLED AT OUTLET POINTS AS SEEN IN STORM CONSTRUCTION DRAWINGS.

PROJECT INFO:

VOLUME:
 BASE SURFACE: EXISTING-FULL COMPARISON SURFACE: FILING-5-FG

CUT FACTOR: 1.00
 FILL FACTOR: 1.15
 CUT VOLUME(ADJUSTED): 27760.72 CUBIC YARDS
 FILL VOLUME(ADJUSTED): 28766.77 CUBIC YARDS
 NET VOLUME(ADJUSTED): 1006.04 (FILL) CUBIC YARDS

CUT FACTOR: 1.00
 FILL FACTOR: 1.00
 CUT VOLUME(UNADJUSTED): 27760.72 CUBIC YARDS
 FILL VOLUME(UNADJUSTED): 25014.58 CUBIC YARDS
 NET VOLUME(UNADJUSTED): 2746.14(CUT) CUBIC YARDS

LOC - LIMITS OF CONSTRUCTION (ENTIRE FILING PERIMETER CONTROL) = 115.57 AC
 LOD - LIMITS OF DISTURBANCE (ROADWAYS, UTILITIES, GRADING) = 10.62 AC

PCD FILE NO: SF####

DRAWN BY: CMD JOB DATE: 10/3/2024 BAR IS ONE INCH ON OFFICIAL DRAWINGS.
 APPROVED: RDL JOB NUMBER: 211030 0" = 10' IF NOT ONE INCH, ADJUST SCALE ACCORDINGLY.
 CAD DATE: 10/3/2024
 CAD FILE: J:\2021\211030\CAD\DWG\C\Filing_No_5\GEC\GEC-Initial-Interim

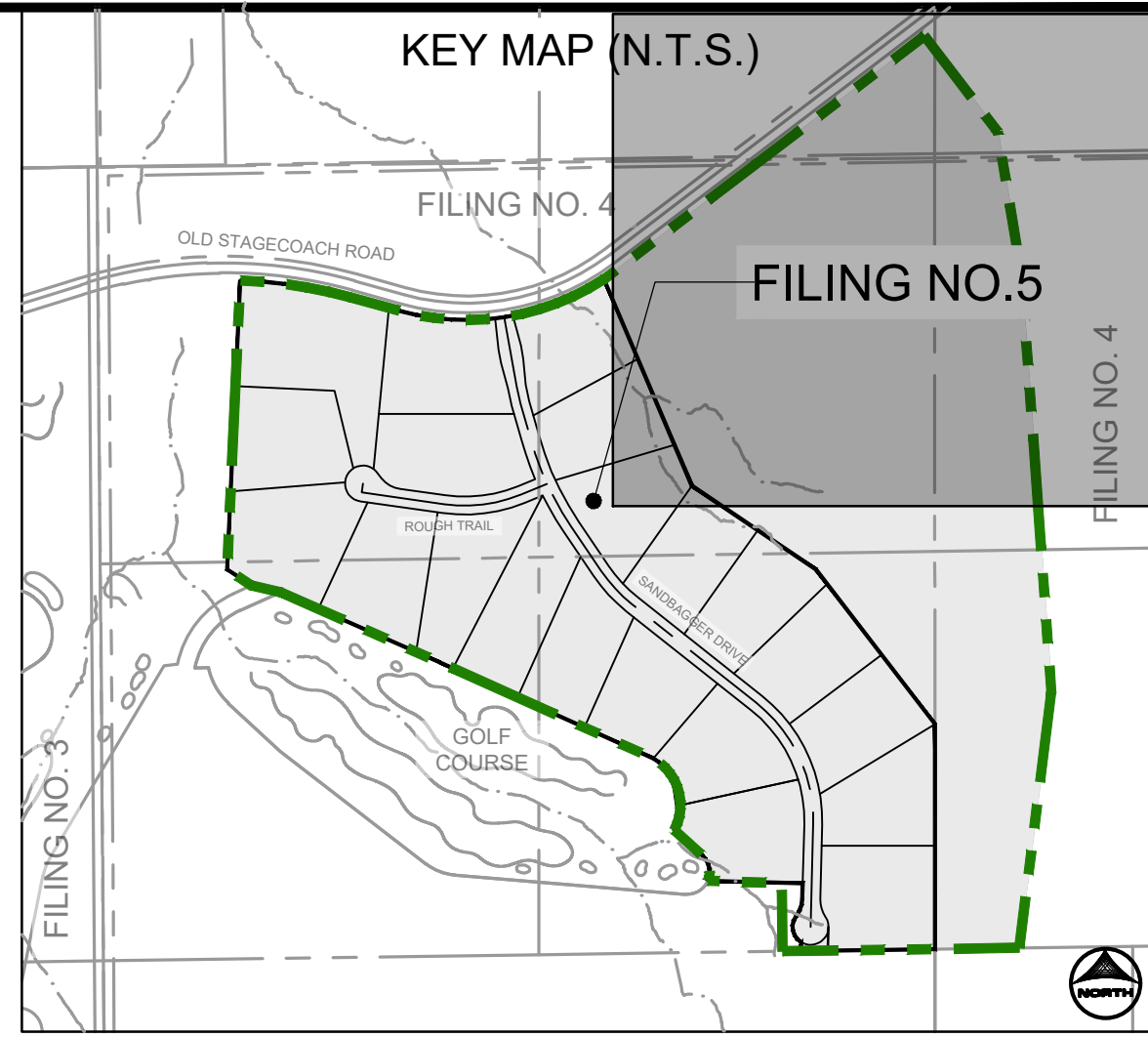
NO.	DATE	BY	REVISION DESCRIPTION

HRGreen
 HR GREEN - COLORADO SPRINGS
 1975 RESEARCH PARKWAY SUITE 160
 COLORADO SPRINGS, CO 80920
 PHONE: 719.300.4140
 FAX: 713.965.0044

FLYING HORSE NORTH FILING NO. 5
PRI #2, LLC.
 EL PASO COUNTY, CO

GRADING & EROSION CONTROL PLAN
INITIAL & INTERIM GEC

SHEET
GEC
5



GEC LEGEND:

[Blue box]	(TRM)	TURF REINFORCED MAT	FINAL
[Dotted box]	(SM)	SEEDING & MULCHING	FINAL
[Blue dashed line]	(LOD)	LIMITS OF CONSTRUCTION/DISTURBANCE	
[Arrow]		FLOW DIRECTION	
[Red hatched box]	(ECB)	EROSION CONTROL BLANKET	INTERIM/FINAL

- GRADING & EROSION CONTROL PLAN NOTES:**
- SEE SHEET 9-10 FOR EL PASO COUNTY GRADING AND EROSION CONTROL DETAILS.
 - ALL STORMWATER MANAGEMENT MEASURES SHOWN ON THIS PLAN MUST BE INSTALLED AND MAINTAINED PER THE EL PASO COUNTY STORMWATER CONSTRUCTION MANUAL; LATEST REVISIONS.
 - AREA WITHIN LIMITS OF DISTURBANCE TO BE CLEARED, GRUBBED AND STOCKPILED PRIOR TO IMPORT OF ANY FILL.
 - ALL GREATER THAN 4:1 SLOPES MUST RECEIVE SLOPE TRACKING TREATMENT AND EROSION CONTROL BLANKET.
 - STOCKPILES REQUIRED DURING ONSITE CONSTRUCTION ACTIVITIES WILL BE PLACED AT THE DISCRETION OF THE CONTRACTOR. STOCKPILING OF MATERIAL MUST NOT OCCUR OUTSIDE THE LIMITS OF DISTURBANCE SHOWN ON THIS PLAN.
 - NON-STRUCTURAL CONTROLS (I.E. STREET SWEEPING) WILL BE AT THE DISCRETION OF THE PROJECT'S CERTIFIED GEC ADMINISTRATOR THROUGHOUT THE DURATION OF LAND DISTURBING ACTIVITIES.
 - THERE ARE NO ANTICIPATED ASPHALT AND/OR CONCRETE BATCH PLANTS, OR MASONRY MIX STATIONS ASSOCIATED WITH THIS PROJECT. IF THE CONTRACTOR REQUIRES A ASPHALT/CONCRETE BATCH PLANTS OR MASONRY MIX STATIONS, THESE PLANS WILL BE AMENDED AS REQUIRED.
 - THERE ARE NO EXISTING PRESERVATION EASEMENTS LOCATED ON SITE.
 - ONSITE EXISTING VEGETATION IS NATIVE GRASSES AND WEEDS. THERE IS NO NOTABLE VEGETATION OTHERWISE.
 - THE NATURAL TERTIARY SWALE THROUGH LOTS 16 AND 17 IS PLATTED AS A PUBLIC DRAINAGE EASEMENT WITH A VARIED WIDTH. THE EASEMENT IS TO HAVE TMAX TRM INSTALLED WITH PERMANENT SEEDING. ALL OTHER NATURAL TERTIARY SWALES DO NOT REQUIRE TRM AND ARE NOT TO BE DISTURBED. AREAS REQUIRING ROLLMAX TRM (TMAX OR P300) ARE CALLED OUT ON THE PLANS AND ARE AREAS NEAR POND CONCRETE RUNDOWNS OR ROADSIDE SWALES. SEE THE PERMANENT CHANNEL LINING PROVIDED ON SHEET 2.
 - ALL ROADSIDE DITCHES ARE TO HAVE PERMANENT TRM (ROLLMAX P300 OR EQUIV.) INSTALLED.
 - ALL CULVERTS ARE TO HAVE RIP-RAP INSTALLED AT OUTLET POINTS AS SEEN IN STORM CONSTRUCTION DRAWINGS.

PROJECT INFO:

VOLUME:
 BASE SURFACE: EXISTING-FULL COMPARISON SURFACE: FILING-5-FG

CUT FACTOR: 1.00
 FILL FACTOR: 1.15
 CUT VOLUME(ADJUSTED): 27760.72 CUBIC YARDS
 FILL VOLUME(ADJUSTED): 28766.77 CUBIC YARDS
 NET VOLUME(ADJUSTED): 1006.04 (FILL) CUBIC YARDS

CUT FACTOR: 1.00
 FILL FACTOR: 1.00
 CUT VOLUME(UNADJUSTED): 27760.72 CUBIC YARDS
 FILL VOLUME(UNADJUSTED): 25014.58 CUBIC YARDS
 NET VOLUME(UNADJUSTED): 2746.14(CUT) CUBIC YARDS

LOC - LIMITS OF CONSTRUCTION (ENTIRE FILING PERIMETER CONTROL) = 115.57 AC

LOD - LIMITS OF DISTURBANCE (ROADWAYS, UTILITIES, GRADING) = 10.62 AC

MATCHLINE SEE SHEET 6

MATCHLINE SEE SHEET 8

DRAWN BY: CMD JOB DATE: 10/2/2024 BAR IS ONE INCH ON OFFICIAL DRAWINGS.
 APPROVED: RDL JOB NUMBER: 211030 0" = 1"
 CAD DATE: 10/3/2024 IF NOT ONE INCH, ADJUST SCALE ACCORDINGLY.
 CAD FILE: J:\2021\211030\CADD\dwg\C\Filing_No_5\GEC\GEC-Final

NO.	DATE	BY	REVISION DESCRIPTION

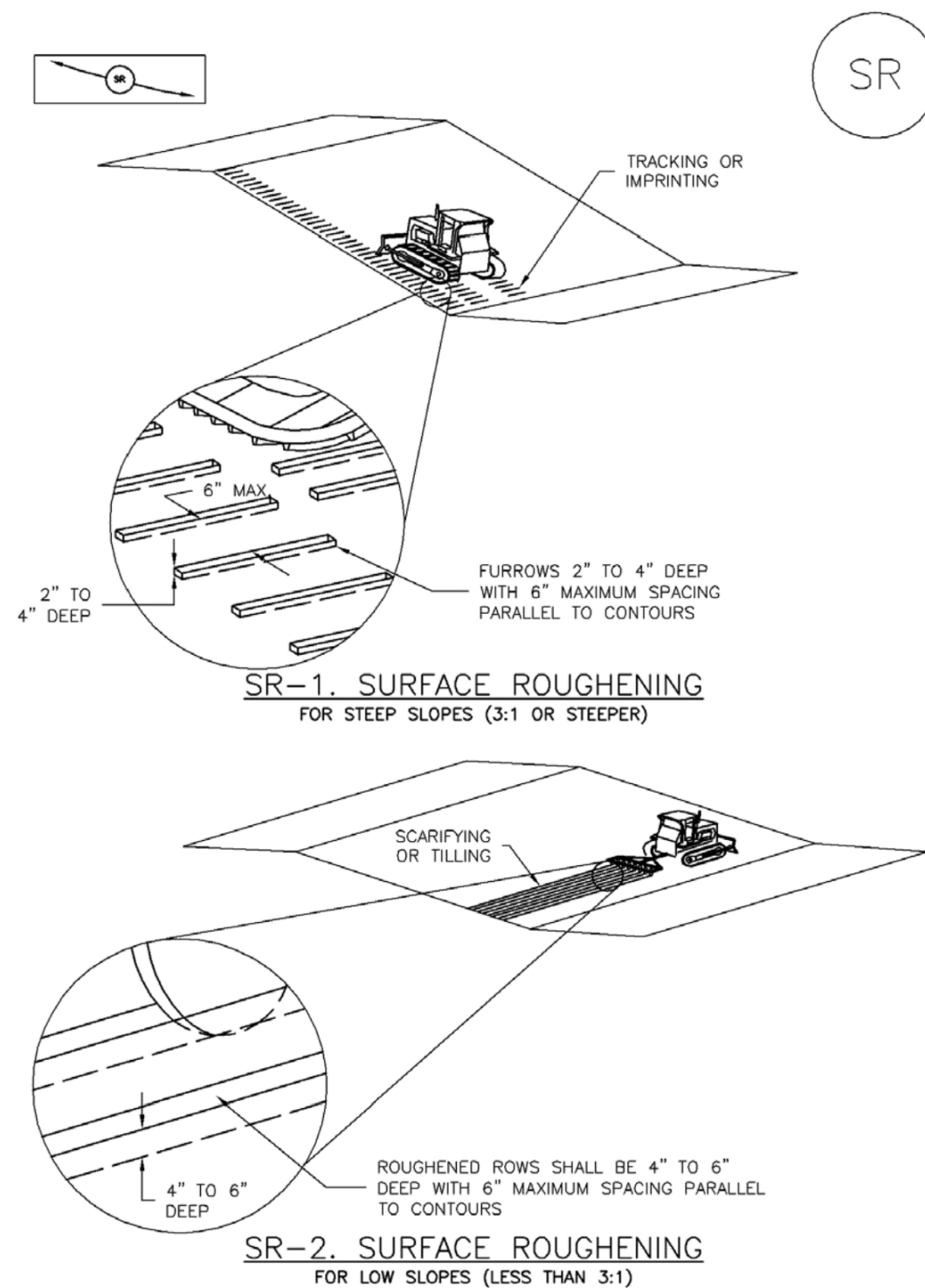
HR GREEN - COLORADO SPRINGS
 1975 RESEARCH PARKWAY SUITE 160
 COLORADO SPRINGS, CO 80920
 PHONE: 719.300.4140
 FAX: 713.965.0044

FLYING HORSE NORTH FILING NO. 5
 PRI #2, LLC.
 EL PASO COUNTY, CO

GRADING & EROSION CONTROL PLAN
 FINAL GEC

SHEET GEC 7

Surface Roughening (SR) EC-1



November 2010 Urban Drainage and Flood Control District Urban Storm Drainage Criteria Manual Volume 3 SR-3

Mulching (MU) EC-4

Description

Mulching consists of evenly applying straw, hay, shredded wood mulch, rock, bark or compost to disturbed soils and securing the mulch by crimping, tackifiers, netting or other measures.



Photograph MU-1. An area that was recently seeded, mulched, and crimped.

Mulch can be applied either using standard mechanical dry application methods or using hydromulching equipment that hydraulically applies a slurry of water, wood fiber mulch, and often a tackifier.

Appropriate Uses

Use mulch in conjunction with seeding to help protect the seedbed and stabilize the soil. Mulch can also be used as a temporary cover on low to mild slopes to help temporarily stabilize disturbed areas where growing season constraints prevent effective reseeding.

Standard dry mulching is encouraged in most jurisdictions; however, hydromulching may not be allowed in certain jurisdictions or may not be allowed near waterways.

Do not apply mulch during windy conditions.

Design and Installation

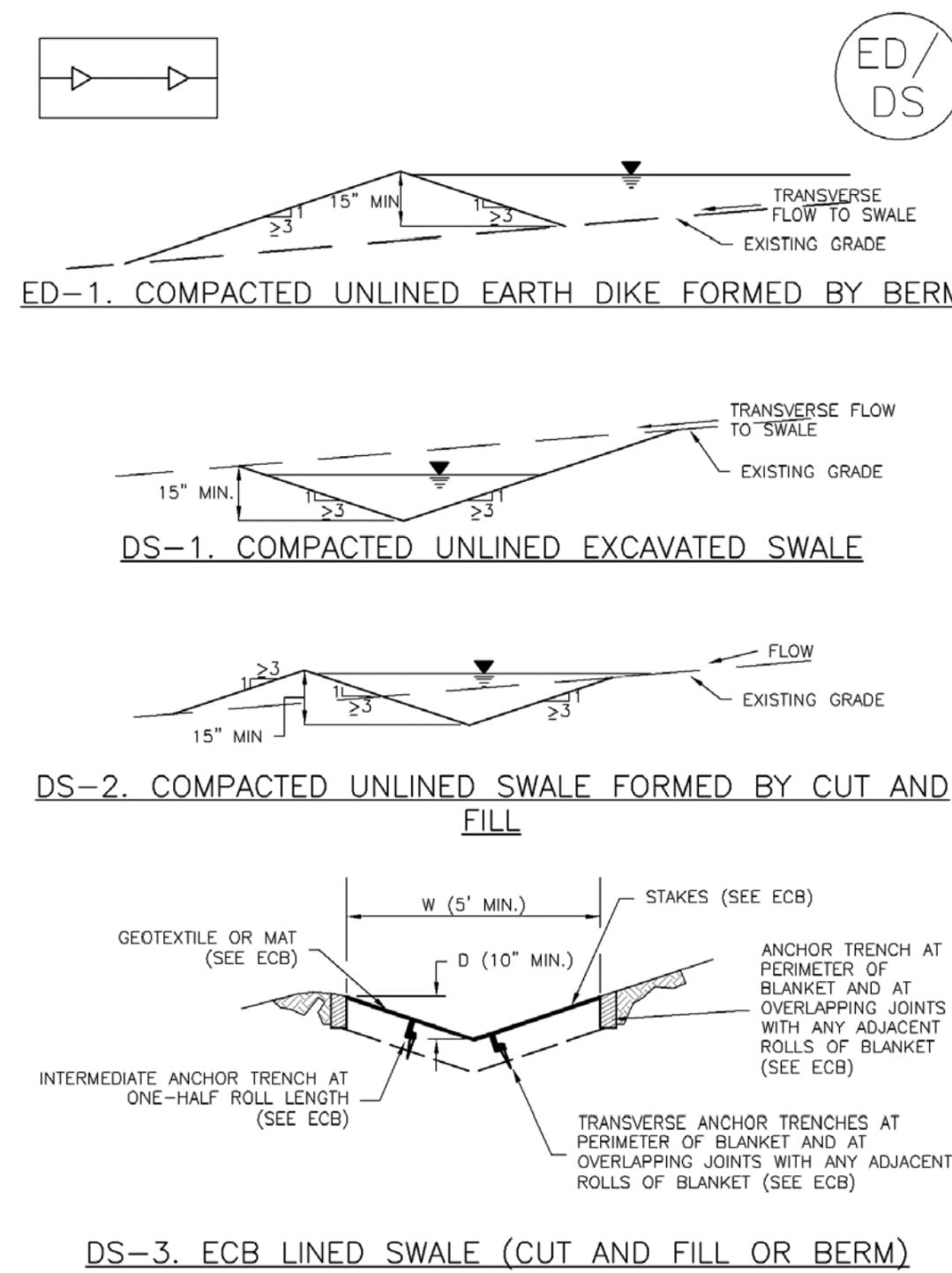
Prior to mulching, surface-roughen areas by rolling with a crimping or punching type roller or by track walking. Track walking should only be used where other methods are impractical because track walking with heavy equipment typically compacts the soil.

A variety of mulches can be used effectively at construction sites. Consider the following:

Table with 2 columns: Functions, Mulch. Rows include Erosion Control (Yes), Sediment Control (Moderate), and Site/Material Management (No).

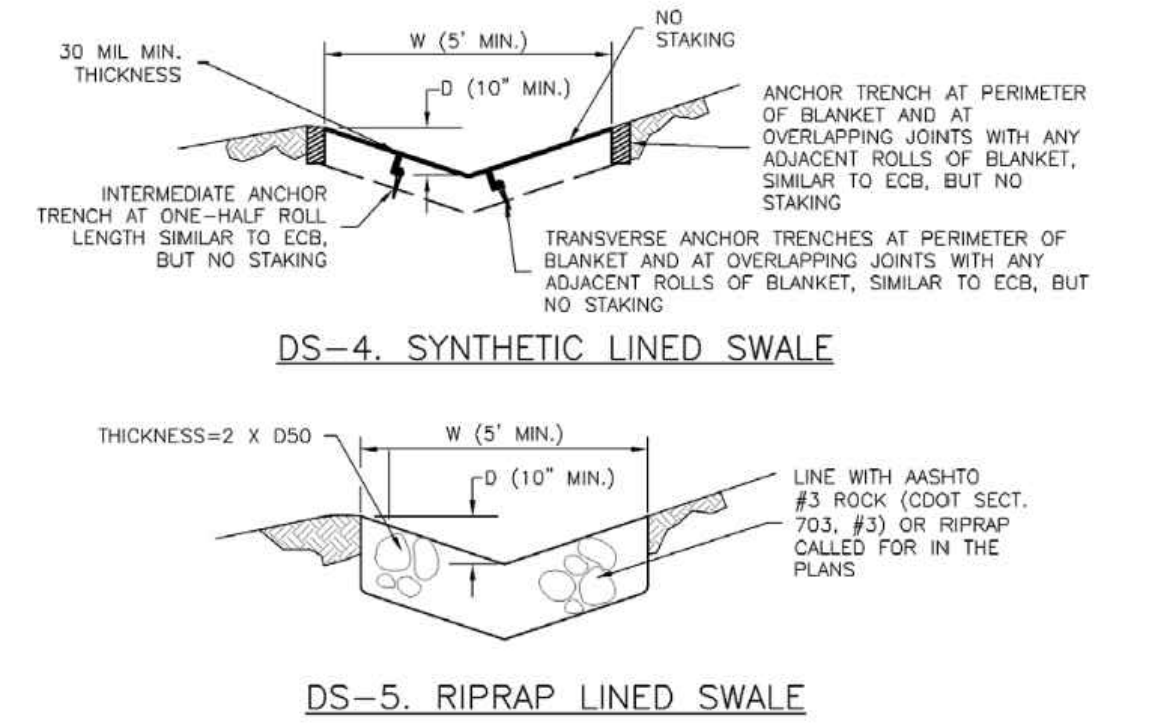
June 2012 Urban Drainage and Flood Control District Urban Storm Drainage Criteria Manual Volume 3 MU-1

Earth Dikes and Drainage Swales (ED/DS) EC-10



November 2010 Urban Drainage and Flood Control District Urban Storm Drainage Criteria Manual Volume 3 ED/DS-3

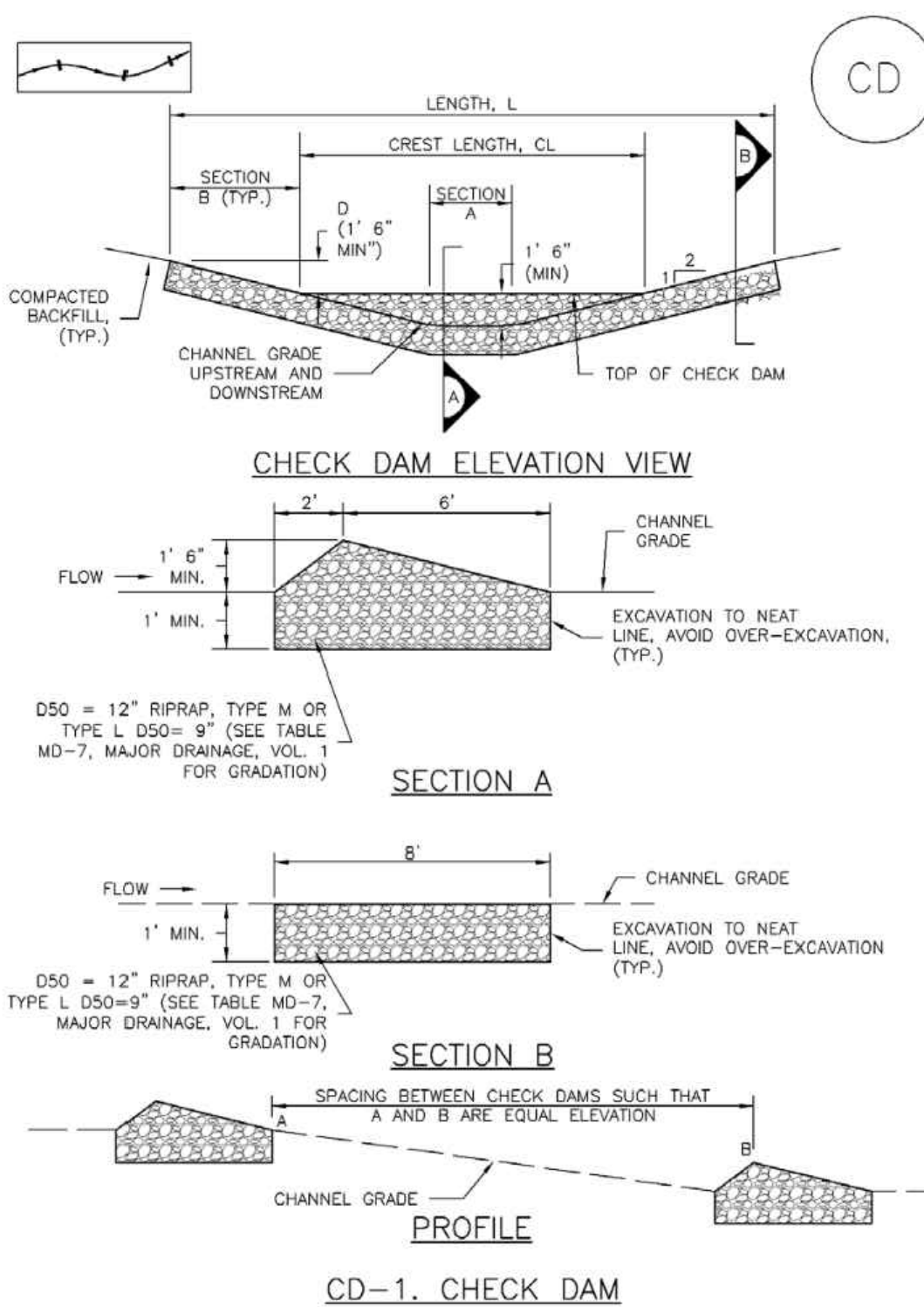
EC-10 Earth Dikes and Drainage Swales (ED/DS)



- EARTH DIKE AND DRAINAGE SWALE INSTALLATION NOTES: 1. SEE SITE PLAN FOR: LOCATION OF DIVERSION SWALE, TYPE OF SWALE (UNLINED, COMPACTED AND/OR LINED), LENGTH OF EACH SWALE, DEPTH, D, AND WIDTH, W DIMENSIONS, FOR ECB/TRM LINED DITCH, SEE ECB DETAIL, FOR RIPRAP LINED DITCH, SIZE OF RIPRAP, D50. 2. SEE DRAINAGE PLANS FOR DETAILS OF PERMANENT CONVEYANCE FACILITIES AND/OR DIVERSION SWALES EXCEEDING 2-YEAR FLOW RATE OR 10 CFS. 3. EARTH DIKES AND SWALES INDICATED ON SWMP PLAN SHALL BE INSTALLED PRIOR TO LAND-DISTURBING ACTIVITIES IN PROXIMITY. 4. EMBANKMENT IS TO BE COMPACTED TO 90% OF MAXIMUM DENSITY AND WITHIN 2% OF OPTIMUM MOISTURE CONTENT ACCORDING TO ASTM D698. 5. SWALES ARE TO DRAIN TO A SEDIMENT CONTROL BMP. 6. FOR LINED DITCHES, INSTALLATION OF ECB/TRM SHALL CONFORM TO THE REQUIREMENTS OF THE ECB DETAIL. 7. WHEN CONSTRUCTION TRAFFIC MUST CROSS A DIVERSION SWALE, INSTALL A TEMPORARY CULVERT WITH A MINIMUM DIAMETER OF 12 INCHES.

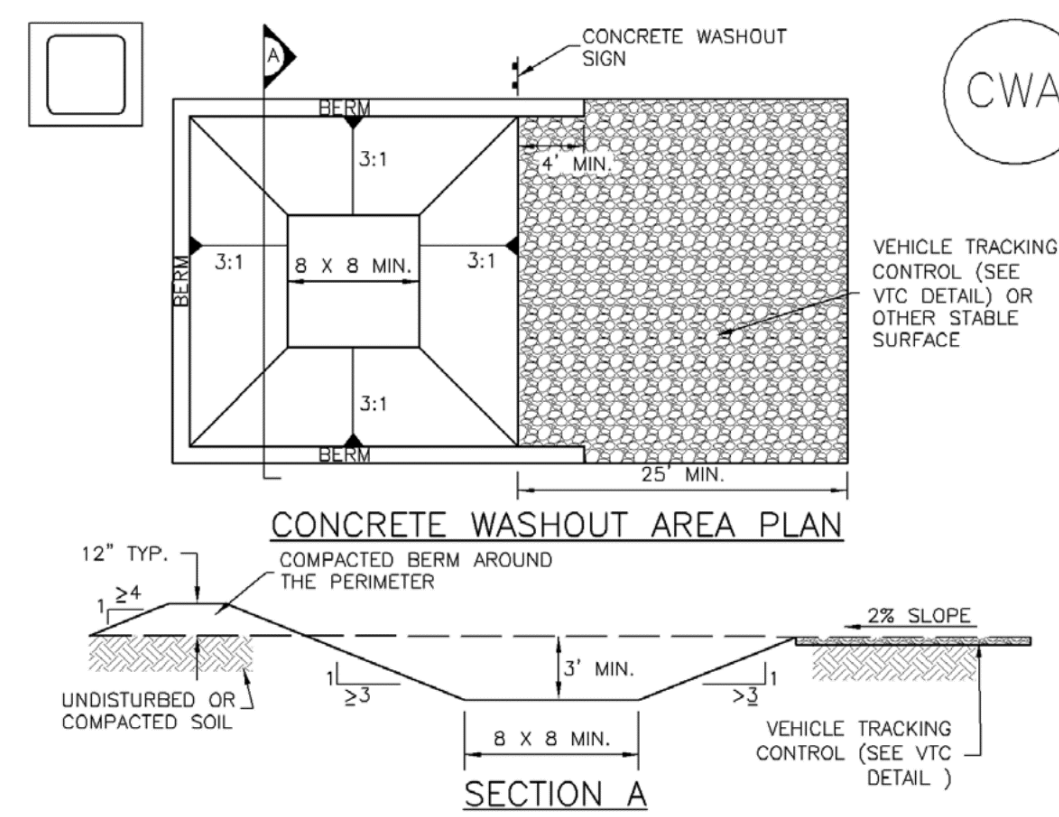
ED/DS-4 Urban Drainage and Flood Control District Urban Storm Drainage Criteria Manual Volume 3 November 2010

Check Dams (CD) EC-12



November 2010 Urban Drainage and Flood Control District Urban Storm Drainage Criteria Manual Volume 3 CD-3

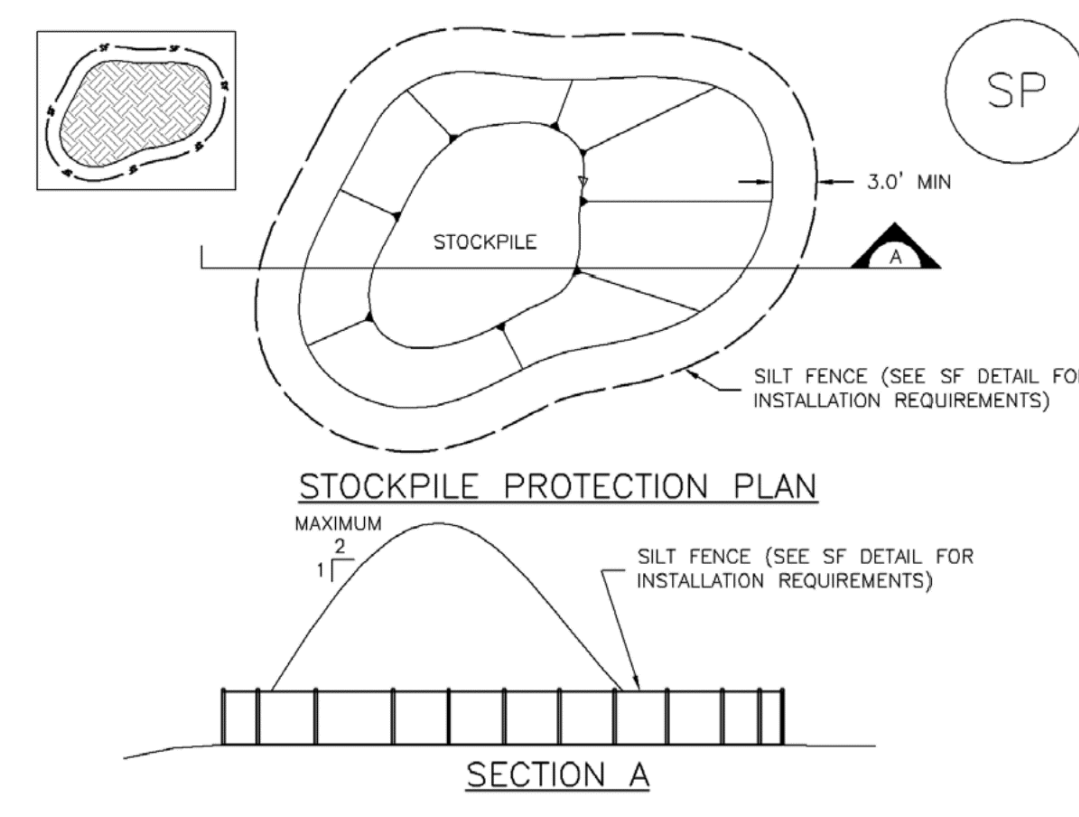
Concrete Washout Area (CWA) MM-1



- CWA-1. CONCRETE WASHOUT AREA CWA INSTALLATION NOTES: 1. SEE PLAN VIEW FOR: CWA INSTALLATION LOCATION. 2. DO NOT LOCATE AN UNLINED CWA WITHIN 400' OF ANY NATURAL DRAINAGE PATHWAY OR WATERBODY. DO NOT LOCATE WITHIN 1,000' OF ANY WELLS OR DRINKING WATER SOURCES. IF SITE CONSTRAINTS MAKE THIS INFEASIBLE, OR IF HIGHLY PERMEABLE SOILS EXIST ON SITE, THE CWA MUST BE INSTALLED WITH AN IMPERMEABLE LINER (1.6 MIL. MIN. THICKNESS) OR SURFACE STORAGE ALTERNATIVES USING PREFABRICATED CONCRETE WASHOUT DEVICES OR A LINED ABOVE GROUND STORAGE ARE SHOULD BE USED. 3. THE CWA SHALL BE INSTALLED PRIOR TO CONCRETE PLACEMENT ON SITE. 4. CWA SHALL INCLUDE A FLAT SUBSURFACE PIT THAT IS AT LEAST 8' BY 8' SLOPES LEADING OUT OF THE SUBSURFACE PIT SHALL BE 3:1 OR FLATTER. THE PIT SHALL BE AT LEAST 3' DEEP. 5. BERM SURROUNDING SIDES AND BACK OF THE CWA SHALL HAVE MINIMUM HEIGHT OF 1'. 6. VEHICLE TRACKING PAD SHALL BE SLOPED 2% TOWARDS THE CWA. 7. SIGNS SHALL BE PLACED AT THE CONSTRUCTION ENTRANCE, AT THE CWA, AND ELSEWHERE AS NECESSARY TO CLEARLY INDICATE THE LOCATION OF THE CWA TO OPERATORS OF CONCRETE TRUCKS AND PUMP TRUCKS. 8. USE EXCAVATED MATERIAL FOR PERIMETER BERM CONSTRUCTION.

November 2010 Urban Drainage and Flood Control District Urban Storm Drainage Criteria Manual Volume 3 CWA-3

Stockpile Management (SP) MM-2



- SP-1. STOCKPILE PROTECTION STOCKPILE PROTECTION INSTALLATION NOTES: 1. SEE PLAN VIEW FOR: LOCATION OF STOCKPILES, TYPE OF STOCKPILE PROTECTION. 2. INSTALL PERIMETER CONTROLS IN ACCORDANCE WITH THEIR RESPECTIVE DESIGN DETAILS. SILT FENCE IS SHOWN IN THE STOCKPILE PROTECTION DETAILS; HOWEVER, OTHER TYPES OF PERIMETER CONTROLS INCLUDING SEDIMENT CONTROL LOGS OR ROCK SOCKS MAY BE SUITABLE IN SOME CIRCUMSTANCES. CONSIDERATIONS FOR DETERMINING THE APPROPRIATE TYPE OF PERIMETER CONTROL FOR A STOCKPILE INCLUDE WHETHER THE STOCKPILE IS LOCATED ON A PERVIOUS OR IMPERVIOUS SURFACE, THE RELATIVE HEIGHTS OF THE PERIMETER CONTROL AND STOCKPILE, THE ABILITY OF THE PERIMETER CONTROL TO CONTAIN THE STOCKPILE WITHOUT FAILING IN THE EVENT THAT MATERIAL FROM THE STOCKPILE SHIFTS OR SLUMPS AGAINST THE PERIMETER, AND OTHER FACTORS. 3. STABILIZE THE STOCKPILE SURFACE WITH SURFACE ROUGHENING, TEMPORARY SEEDING AND MULCHING, EROSION CONTROL BLANKETS, OR SOIL BINDERS. SOILS STOCKPILED FOR AN EXTENDED PERIOD (TYPICALLY FOR MORE THAN 60 DAYS) SHOULD BE SEEDING AND MULCHED WITH A TEMPORARY GRASS COVER ONCE THE STOCKPILE IS PLACED (TYPICALLY WITHIN 14 DAYS). USE OF MULCH ONLY OR A SOIL BINDER IS ACCEPTABLE IF THE STOCKPILE WILL BE IN PLACE FOR A MORE LIMITED TIME PERIOD (TYPICALLY 30-60 DAYS). 4. FOR TEMPORARY STOCKPILES ON THE INTERIOR PORTION OF A CONSTRUCTION SITE, WHERE OTHER DOWNGRADE CONTROLS, INCLUDING PERIMETER CONTROL, ARE IN PLACE, STOCKPILE PERIMETER CONTROLS MAY NOT BE REQUIRED.

November 2010 Urban Drainage and Flood Control District Urban Storm Drainage Criteria Manual Volume 3 SP-3

GEC Checklist Item z - Provide details for Inlet protection (detail IP-1 is referenced on top of CIP) and seeding specifications

Table with 4 columns: NO., DATE, BY, REVISION DESCRIPTION.



HR GREEN - COLORADO SPRINGS 1975 RESEARCH PARKWAY SUITE 160 COLORADO SPRINGS, CO 80920 PHONE: 719.300.4140 FAX: 713.965.0044

FLYING HORSE NORTH FILING NO. 5 PRI #2, LLC. EL PASO COUNTY, CO

GRADING & EROSION CONTROL PLAN DETAILS 1

Good Housekeeping Practices (GH) MM-3

Description

Implement construction site good housekeeping practices to prevent pollution associated with solid, liquid and hazardous construction-related materials and wastes. Stormwater Management Plans (SWMPs) should clearly specify BMPs including these good housekeeping practices:



Photographs GH-1 and GH-2. Proper materials storage and secondary containment for fuel tanks are important good housekeeping practices. Photos courtesy of CDOT and City of Aurora.

- Provide for waste management.
- Establish proper building material staging areas.
- Designate paint and concrete washout areas.
- Establish proper equipment/vehicle fueling and maintenance practices.
- Control equipment/vehicle washing and allowable non-stormwater discharges.
- Develop a spill prevention and response plan.

Acknowledgement: This Fact Sheet is based directly on EPA guidance provided in *Developing Your Stormwater Pollution Prevention Plan (EPA 2007)*.

Appropriate Uses

Good housekeeping practices are necessary at all construction sites.

Design and Installation

The following principles and actions should be addressed in SWMPs:

- **Provide for Waste Management.** Implement management procedures and practices to prevent or reduce the exposure and transport of pollutants in stormwater from solid, liquid and sanitary wastes that will be generated at the site. Practices such as trash disposal, recycling, proper material handling, and cleanup measures can reduce the potential for stormwater runoff to pick up construction site wastes and discharge them to surface waters. Implement a comprehensive set of waste-management practices for hazardous or toxic materials, such as paints, solvents, petroleum products, pesticides, wood preservatives, acids, roofing tar, and other materials. Practices should include storage, handling, inventory, and cleanup procedures, in case of spills. Specific practices that should be considered include:

Solid or Construction Waste

- Designate trash and bulk waste-collection areas on-site.

Good Housekeeping	
Functions	
Erosion Control	No
Sediment Control	No
Site/Material Management	Yes

November 2010 Urban Drainage and Flood Control District Urban Storm Drainage Criteria Manual Volume 3 GH-1

MM-3 Good Housekeeping Practices (GH)

- Recycle materials whenever possible (e.g., paper, wood, concrete, oil).
- Segregate and provide proper disposal options for hazardous material wastes.
- Clean up litter and debris from the construction site daily.
- Locate waste-collection areas away from streets, gutters, watercourses, and storm drains. Waste-collection areas (dumpsters, and such) are often best located near construction site entrances to minimize traffic on disturbed soils. Consider secondary containment around waste collection areas to minimize the likelihood of contaminated discharges.
- Empty waste containers before they are full and overflowing.

Sanitary and Septic Waste

- Provide convenient, well-maintained, and properly located toilet facilities on-site.
- Locate toilet facilities away from storm drain inlets and waterways to prevent accidental spills and contamination of stormwater.
- Maintain clean restroom facilities and empty portable toilets regularly.
- Where possible, provide secondary containment pans under portable toilets.
- Provide tie-downs or stake-downs for portable toilets.
- Educate employees, subcontractors, and suppliers on locations of facilities.
- Treat or dispose of sanitary and septic waste in accordance with state or local regulations. Do not discharge or bury wastewater at the construction site.
- Inspect facilities for leaks. If found, repair or replace immediately.
- Special care is necessary during maintenance (pump out) to ensure that waste and/or biocide are not spilled on the ground.

Hazardous Materials and Wastes

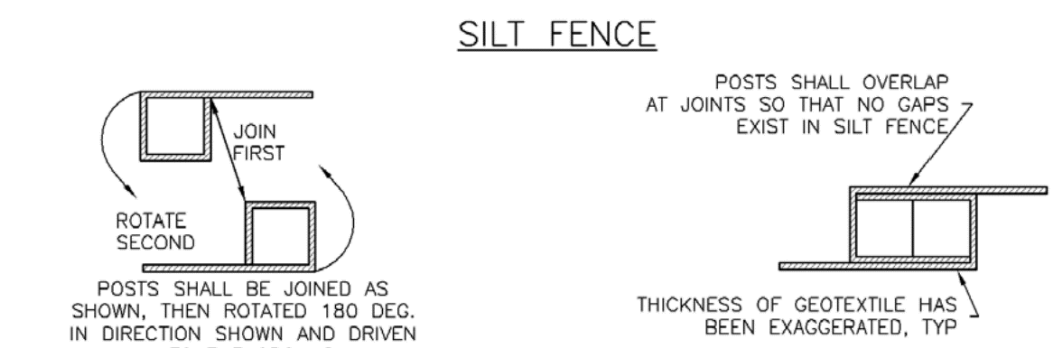
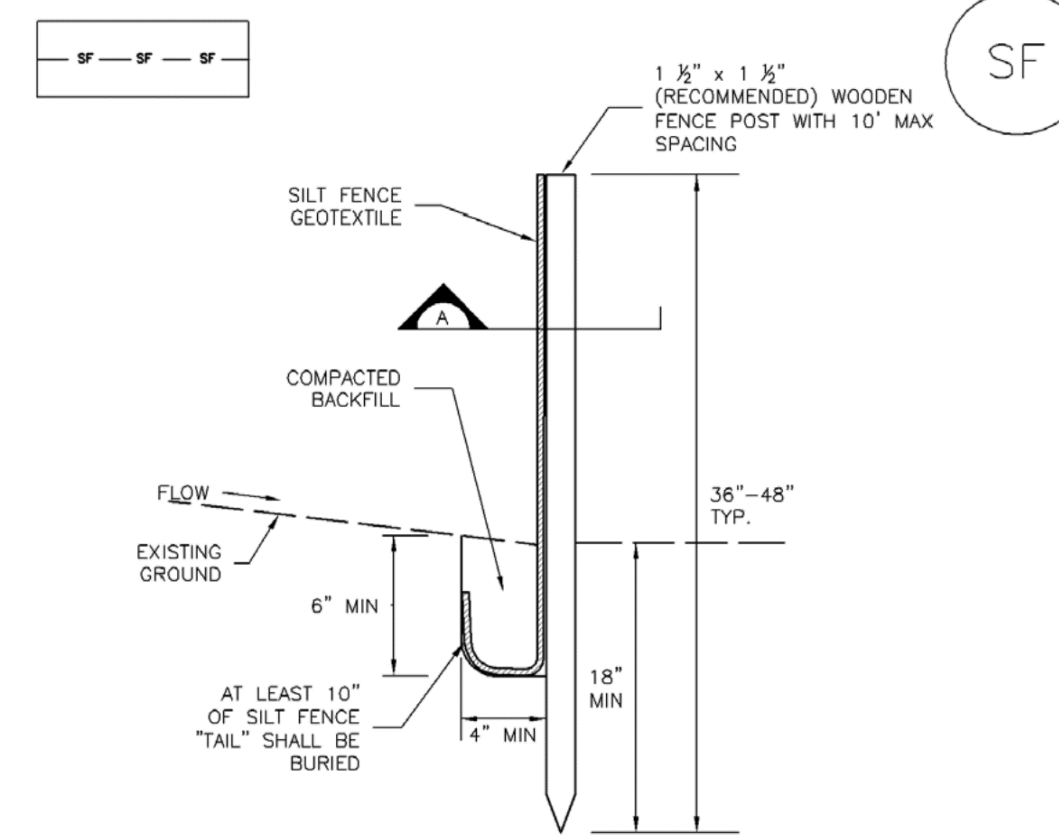
- Develop and implement employee and subcontractor education, as needed, on hazardous and toxic waste handling, storage, disposal, and cleanup.
- Designate hazardous waste-collection areas on-site.
- Place all hazardous and toxic material wastes in secondary containment.



Photograph GH-3. Locate portable toilet facilities on level surfaces away from waterways and storm drains. Photo courtesy of WVE.

GH-2 Urban Drainage and Flood Control District Urban Storm Drainage Criteria Manual Volume 3 November 2010

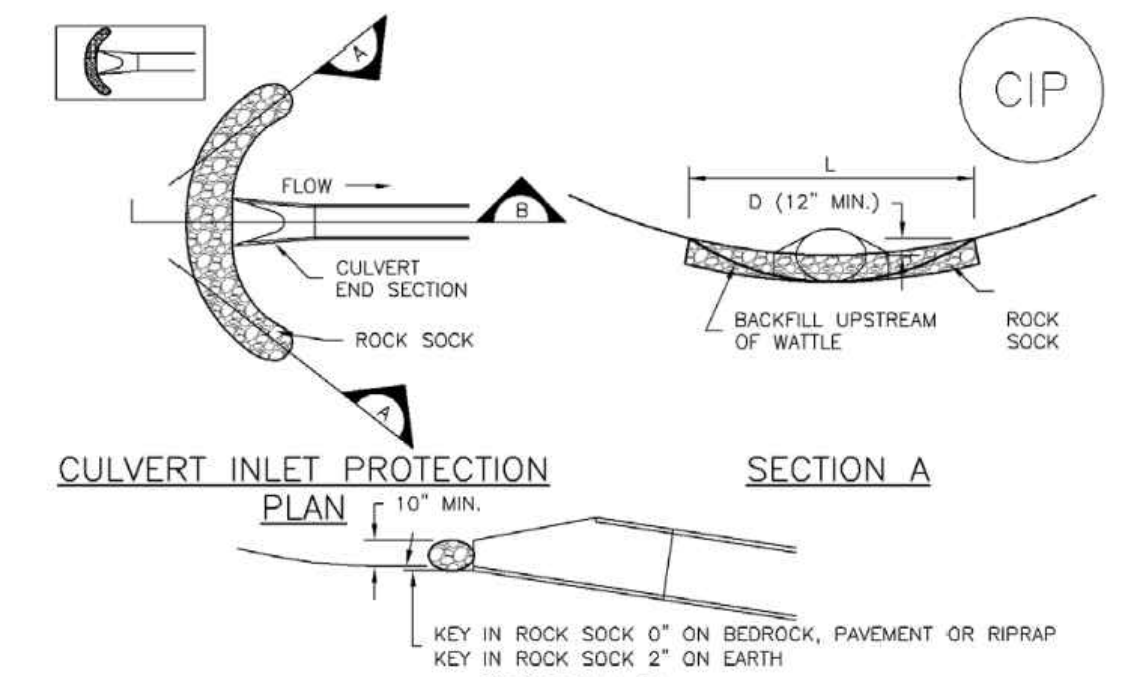
Silt Fence (SF) SC-1



SECTION A SF-1. SILT FENCE

November 2010 Urban Drainage and Flood Control District Urban Storm Drainage Criteria Manual Volume 3 SF-3

Inlet Protection (IP) SC-6

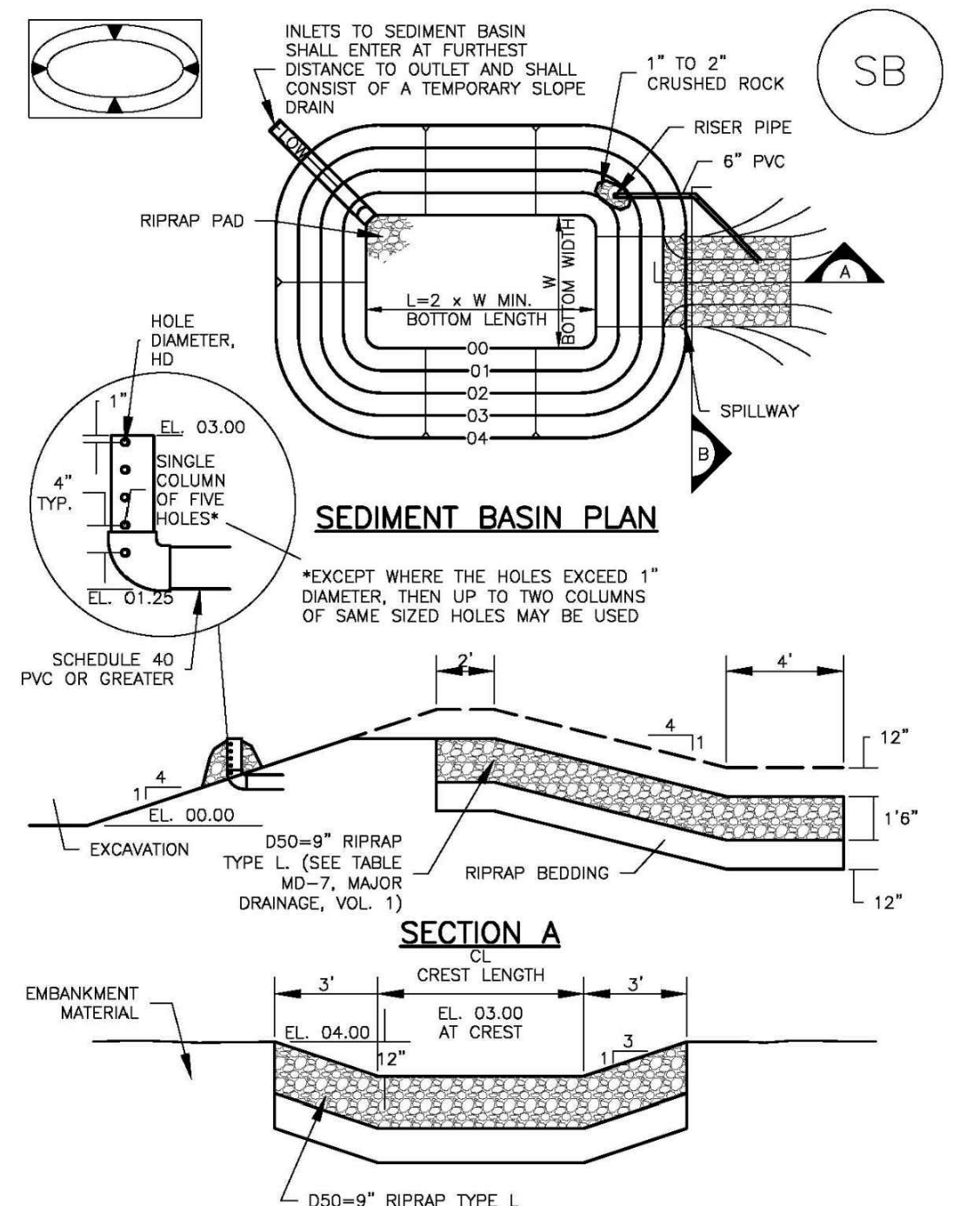


CIP-1. CULVERT INLET PROTECTION

- CULVERT INLET PROTECTION INSTALLATION NOTES**
1. SEE PLAN VIEW FOR -LOCATION OF CULVERT INLET PROTECTION.
 2. SEE ROCK SOCK DESIGN DETAIL FOR ROCK GRADATION REQUIREMENTS AND JOINING DETAIL.
- CULVERT INLET PROTECTION MAINTENANCE NOTES**
1. INSPECT BMPs EACH WORKDAY, AND MAINTAIN THEM IN EFFECTIVE OPERATING CONDITION. MAINTENANCE OF BMPs SHOULD BE PROACTIVE, NOT REACTIVE. INSPECT BMPs AS SOON AS POSSIBLE (AND ALWAYS WITHIN 24 HOURS) FOLLOWING A STORM THAT CAUSES SURFACE EROSION, AND PERFORM NECESSARY MAINTENANCE.
 2. FREQUENT OBSERVATIONS AND MAINTENANCE ARE NECESSARY TO MAINTAIN BMPs IN EFFECTIVE OPERATING CONDITION. INSPECTIONS AND CORRECTIVE MEASURES SHOULD BE DOCUMENTED THOROUGHLY.
 3. WHERE BMPs HAVE FAILED, REPAIR OR REPLACEMENT SHOULD BE INITIATED UPON DISCOVERY OF THE FAILURE.
 4. SEDIMENT ACCUMULATED UPSTREAM OF THE CULVERT SHALL BE REMOVED WHEN THE SEDIMENT DEPTH IS 1/2 THE HEIGHT OF THE ROCK SOCK.
 5. CULVERT INLET PROTECTION SHALL REMAIN IN PLACE UNTIL THE UPSTREAM DISTURBED AREA IS PERMANENTLY STABILIZED AND APPROVED BY THE LOCAL JURISDICTION.
- (DETAILS ADAPTED FROM AURORA, COLORADO, NOT AVAILABLE IN AUTOCAD)
NOTE: MANY JURISDICTIONS HAVE BMP DETAILS THAT VARY FROM UDFCD STANDARD DETAILS. CONSULT WITH LOCAL JURISDICTIONS AS TO WHICH DETAIL SHOULD BE USED WHEN DIFFERENCES ARE NOTED.

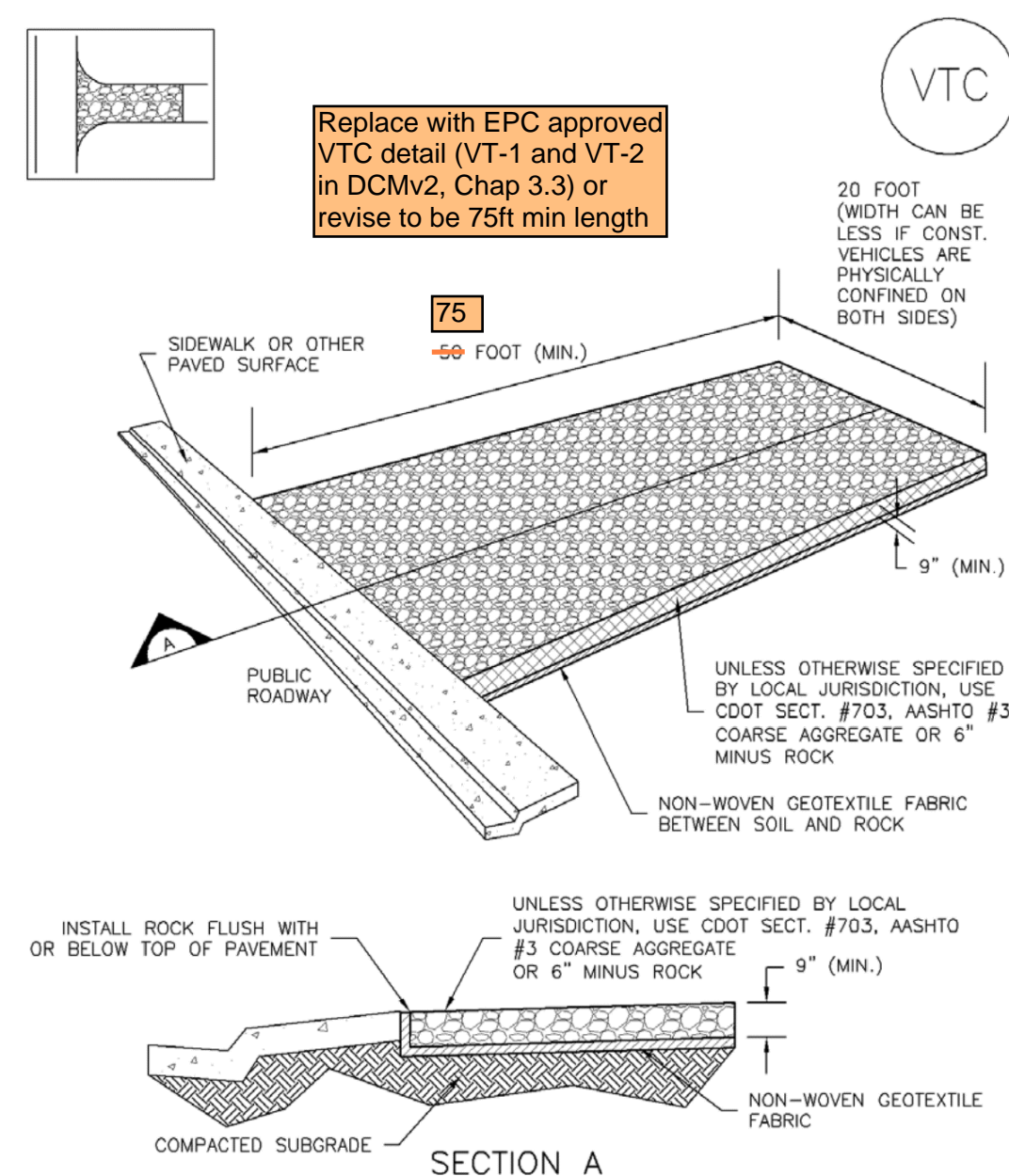
August 2013 Urban Drainage and Flood Control District Urban Storm Drainage Criteria Manual Volume 3 IP-7

Sediment Basin (SB) SC-7



August 2013 Urban Drainage and Flood Control District Urban Storm Drainage Criteria Manual Volume 3 SB-5

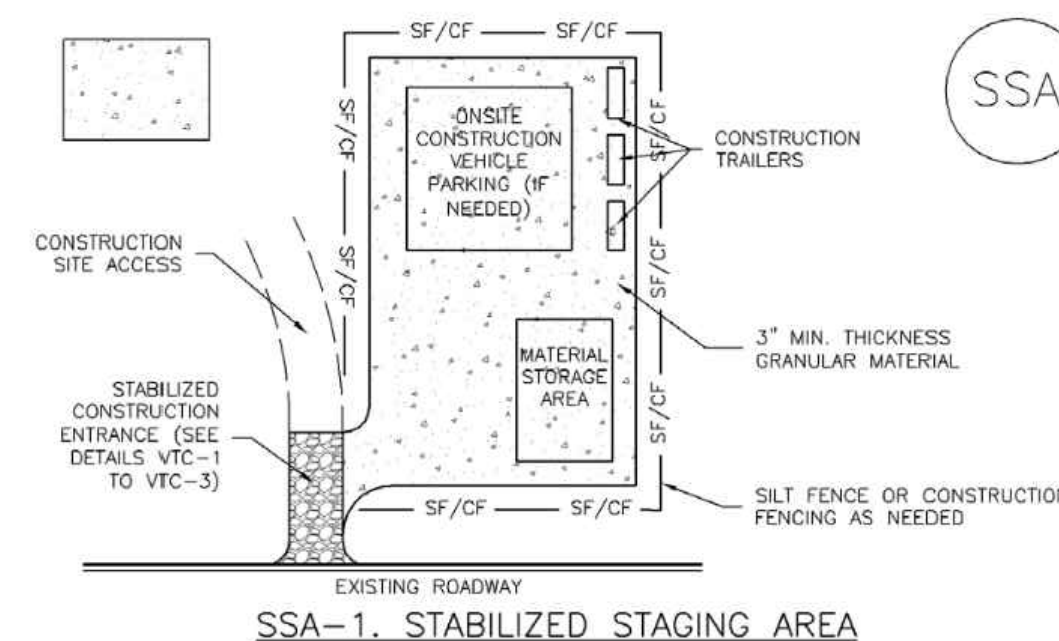
Vehicle Tracking Control (VTC) SM-4



VTC-1. AGGREGATE VEHICLE TRACKING CONTROL

November 2010 Urban Drainage and Flood Control District Urban Storm Drainage Criteria Manual Volume 3 VTC-3

Stabilized Staging Area (SSA) SM-6



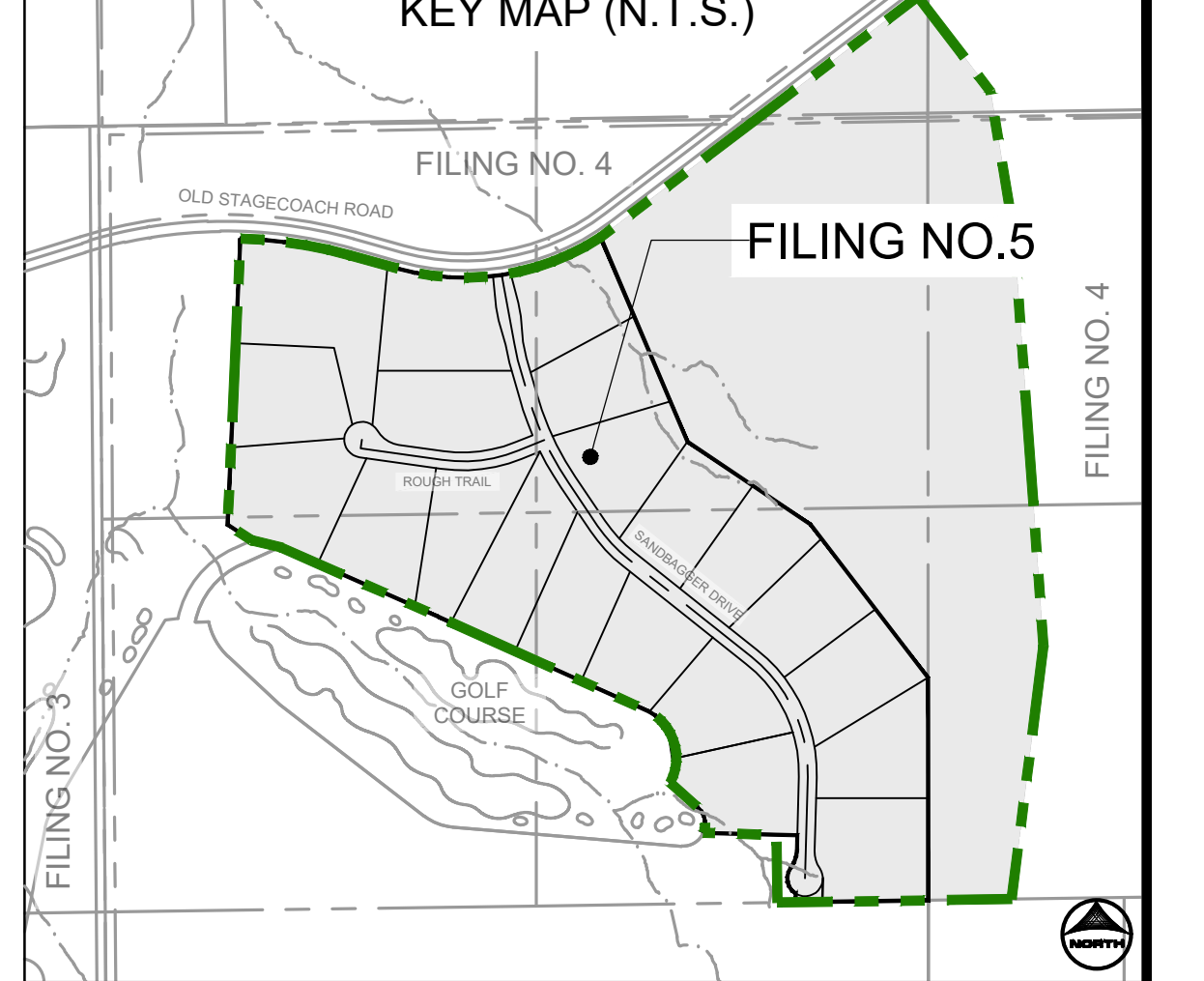
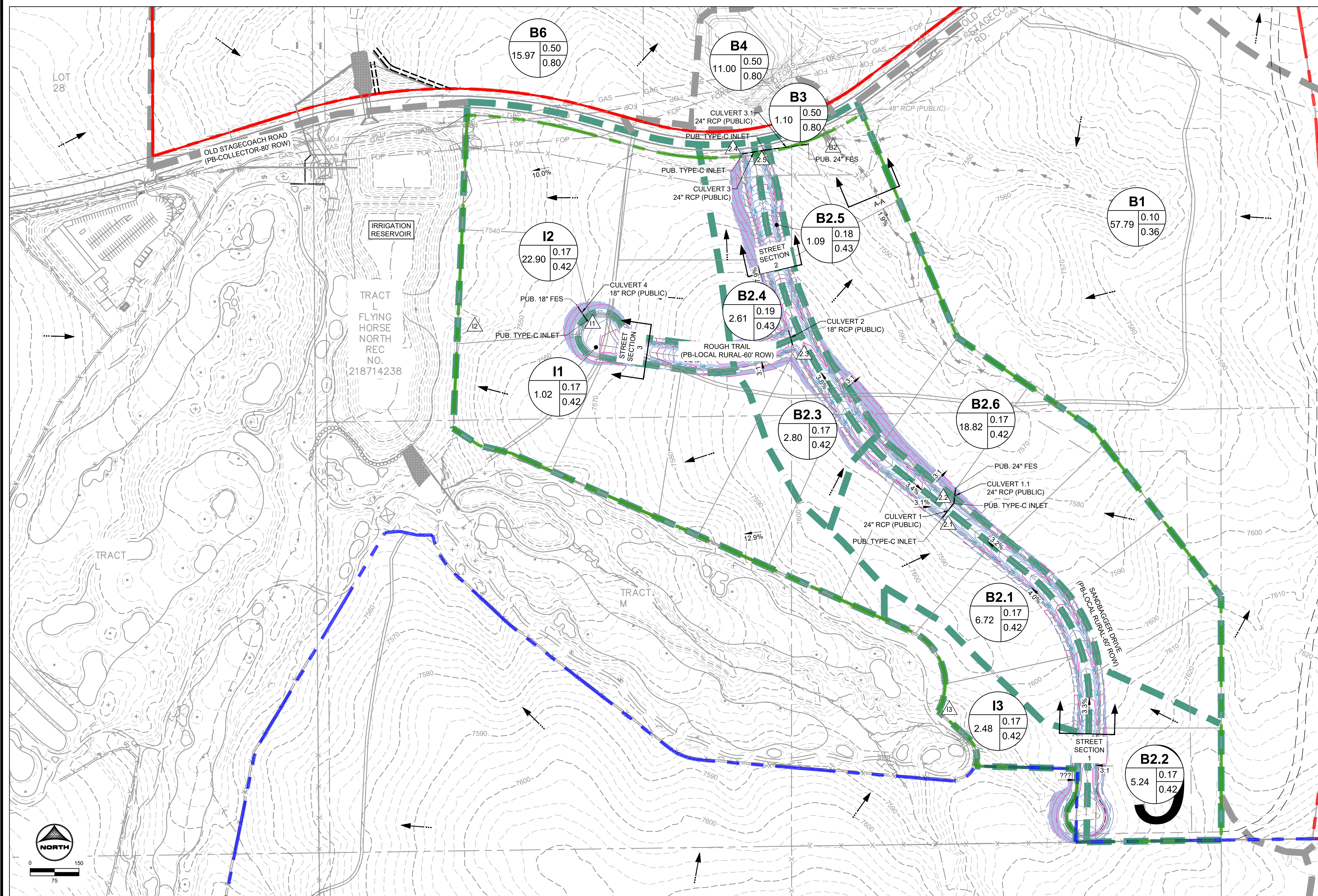
SSA-1. STABILIZED STAGING AREA

- STABILIZED STAGING AREA INSTALLATION NOTES**
1. SEE PLAN VIEW FOR -LOCATION OF STAGING AREA(S). -CONTRACTOR MAY ADJUST LOCATION AND SIZE OF STAGING AREA WITH APPROVAL FROM THE LOCAL JURISDICTION.
 2. STABILIZED STAGING AREA SHOULD BE APPROPRIATE FOR THE NEEDS OF THE SITE. OVERSIZING RESULTS IN A LARGER AREA TO STABILIZE FOLLOWING CONSTRUCTION.
 3. STAGING AREA SHALL BE STABILIZED PRIOR TO OTHER OPERATIONS ON THE SITE.
 4. THE STABILIZED STAGING AREA SHALL CONSIST OF A MINIMUM 3" THICK GRANULAR MATERIAL.
 5. UNLESS OTHERWISE SPECIFIED BY LOCAL JURISDICTION, ROCK SHALL CONSIST OF DOT SECT. #703, AASHTO #3 COARSE AGGREGATE OR 6" (MINUS) ROCK.
 6. ADDITIONAL PERIMETER BMPs MAY BE REQUIRED INCLUDING BUT NOT LIMITED TO SILT FENCE AND CONSTRUCTION FENCING.
- STABILIZED STAGING AREA MAINTENANCE NOTES**
1. INSPECT BMPs EACH WORKDAY, AND MAINTAIN THEM IN EFFECTIVE OPERATING CONDITION. MAINTENANCE OF BMPs SHOULD BE PROACTIVE, NOT REACTIVE. INSPECT BMPs AS SOON AS POSSIBLE (AND ALWAYS WITHIN 24 HOURS) FOLLOWING A STORM THAT CAUSES SURFACE EROSION, AND PERFORM NECESSARY MAINTENANCE.
 2. FREQUENT OBSERVATIONS AND MAINTENANCE ARE NECESSARY TO MAINTAIN BMPs IN EFFECTIVE OPERATING CONDITION. INSPECTIONS AND CORRECTIVE MEASURES SHOULD BE DOCUMENTED THOROUGHLY.
 3. WHERE BMPs HAVE FAILED, REPAIR OR REPLACEMENT SHOULD BE INITIATED UPON DISCOVERY OF THE FAILURE.
 4. ROCK SHALL BE REAPPLIED OR REGRADED AS NECESSARY IF RUTTING OCCURS OR UNDERLYING SUBGRADE BECOMES EXPOSED.

November 2010 Urban Drainage and Flood Control District Urban Storm Drainage Criteria Manual Volume 3 SSA-3

NO.	DATE	BY	REVISION DESCRIPTION

CULLIG, ABBEY, 10/3/2024, 9:31 F



LEGEND:

- PROPOSED MAJOR CONTOUR: 5250
- PROPOSED MINOR CONTOUR: 5250
- EXISTING MAJOR CONTOUR: 5250
- EXISTING MINOR CONTOUR: 5250
- PROPOSED STORM SEWER
- EXISTING STORM SEWER
- EXISTING DRAINAGE SWALE
- PROPOSED DRAINAGE SWALE
- EXISTING TERTIARY DRAINAGE WAY
- FILING NO. 4 PARCEL BOUNDARY
- FILING NO. 5 PARCEL BOUNDARY
- FILING NO. 7 PARCEL BOUNDARY
- FLOW DIRECTION
- DRAINAGE BASIN
- EXISTING DRAINAGE BASIN
- DESIGN POINT
- SWALE CROSS SECTION

BASIN DESIGNATION

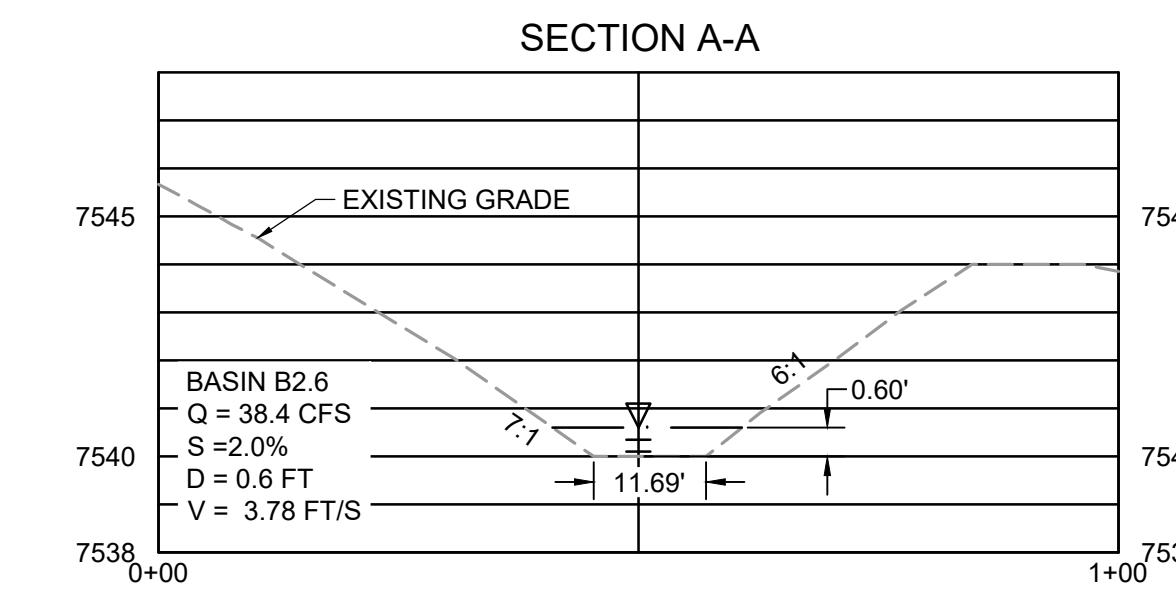
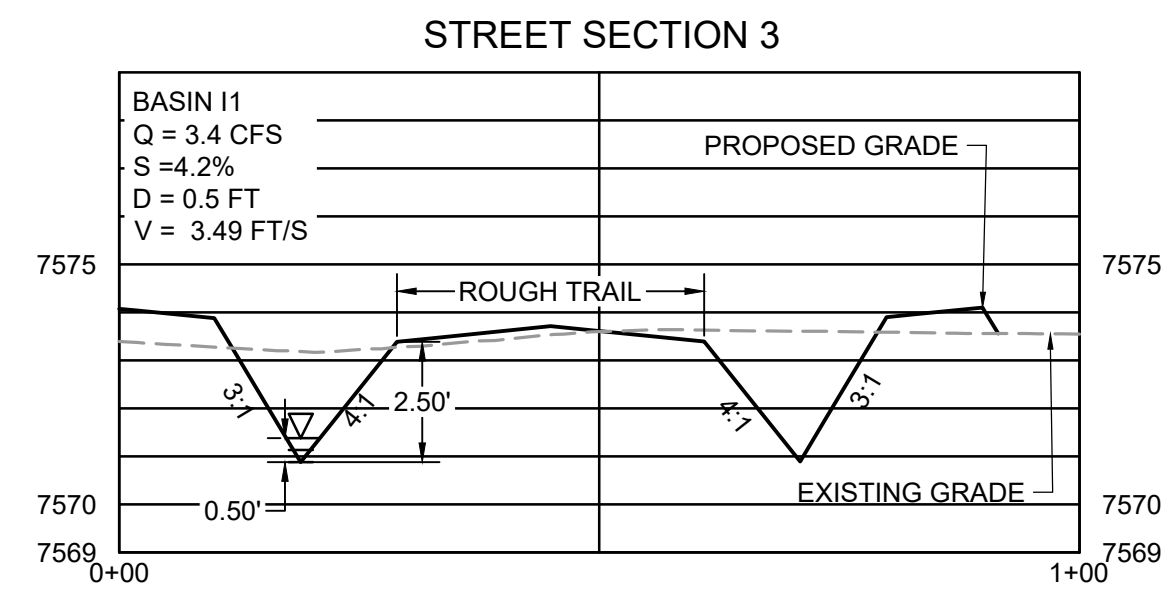
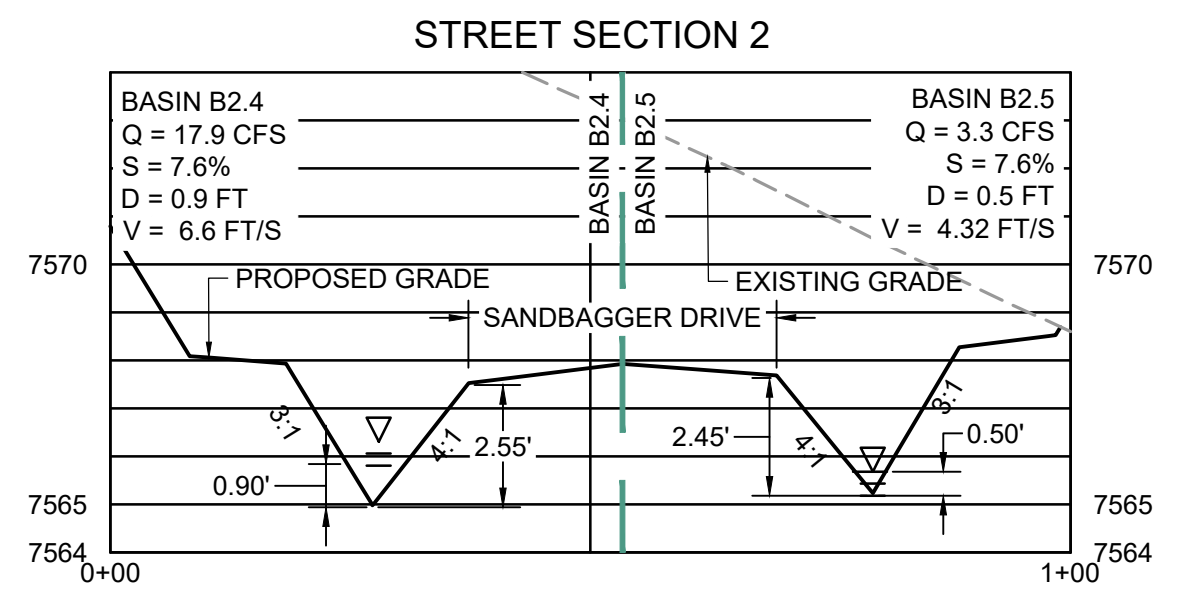
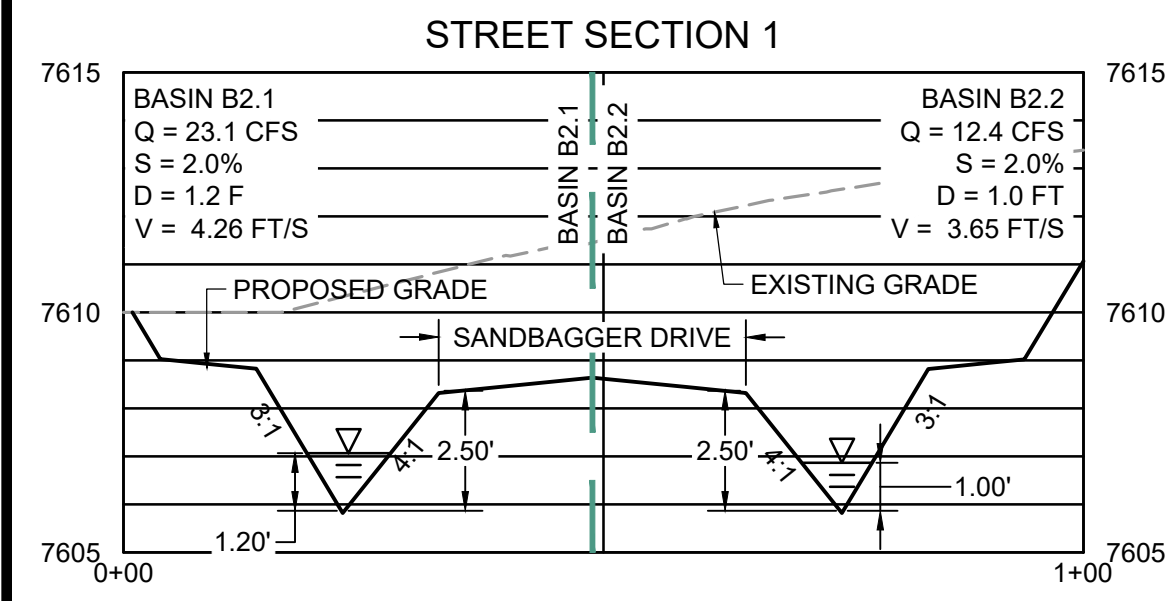
AREA (AC.)	1.00	0.40	MINOR 5-YR RUNOFF COEF.
	0.60	0.60	MAJOR 100-YR RUNOFF COEF.

SUMMARY RUNOFF TABLE

BASIN	AREA (ac)	% IMP.	C _s	C ₁₀₀	Q ₅ (cfs)	Q ₁₀₀ (cfs)
B1	57.8	4.1	0.10	0.36	15.9	97.5
B2.1	9.2	11.0	0.17	0.42	5.6	23.1
B2.2	5.2	11.0	0.17	0.42	3.0	12.4
B2.3	2.8	11.0	0.17	0.42	1.8	7.3
B2.4	2.6	13.3	0.19	0.43	1.8	6.9
B2.5	1.1	12.4	0.18	0.43	0.8	3.3
B2.6	18.8	11.6	0.17	0.42	9.5	38.4
I1	1.0	11.0	0.17	0.42	0.8	3.4
I2	22.9	11.0	0.17	0.42	13.2	54.4
I3	2.5	11.0	0.17	0.42	1.6	6.8
ONSITE TOTAL	136.0	8.8%	0.15	0.40	63.6	285.4
OFFSITE TOTAL	26.6	11.0%	0.17	0.42	15.0	61.7
GRAND TOTAL	160.1	9.2%	0.15	0.40	78.6	347.1

CUMULATIVE DESIGN POINT SUMMARY TABLE

DESIGN POINT	CONTRIBUTING BASINS	ΣQ ₅ (cfs)	ΣQ ₁₀₀ (cfs)	Tributary Area (ac.)	Weighted % Impervious
B1	B1	15.9	97.5	57.8	4.1
2.1	B2.1	5.6	23.1	9.2	11.0
2.2	B2.1, B2.2	3.0	12.4	5.2	11.0
2.3	B2.3	1.8	7.3	2.8	11.0
2.4	B2.3, B2.4	1.8	6.9	2.6	13.3
2.5	B2.3 - B2.4	0.8	3.3	1.1	12.4
B2	B1, B2	27.9	318.3	78.6	4.7
I1	C1	0.8	3.4	1.0	11.0
I2	C1, C2	13.8	54.4	23.9	11.0



DRAWN BY: TMM JOB DATE: 10/2/2024 BAR IS ONE INCH ON OFFICIAL DRAWINGS.
 APPROVED: RHL JOB NUMBER: 211030.25
 CAD DATE: 9/5/2024
 CAD FILE: J:\2102111030\CAD\Drawings\CIDrainage\FDR Filing 5\FHN_FDR_Filing5

NO.	DATE	BY	REVISION DESCRIPTION

HR GREEN - COLORADO SPRINGS
 1975 RESEARCH PARKWAY SUITE 150
 COLORADO SPRINGS, CO 80920
 PHONE: 719.300.4140
 FAX: 719.965.0044

FLYING HORSE NORTH FILING NO. 5
 PRI #2, LLC.
 EL PASO COUNTY, CO

GRADING & EROSION CONTROL PLAN
 DEVELOPED CONDITIONS DRAINAGE MAP
 SHEET DR 11