

RETREAT AT TIMBERRIDGE FILING NO. 2

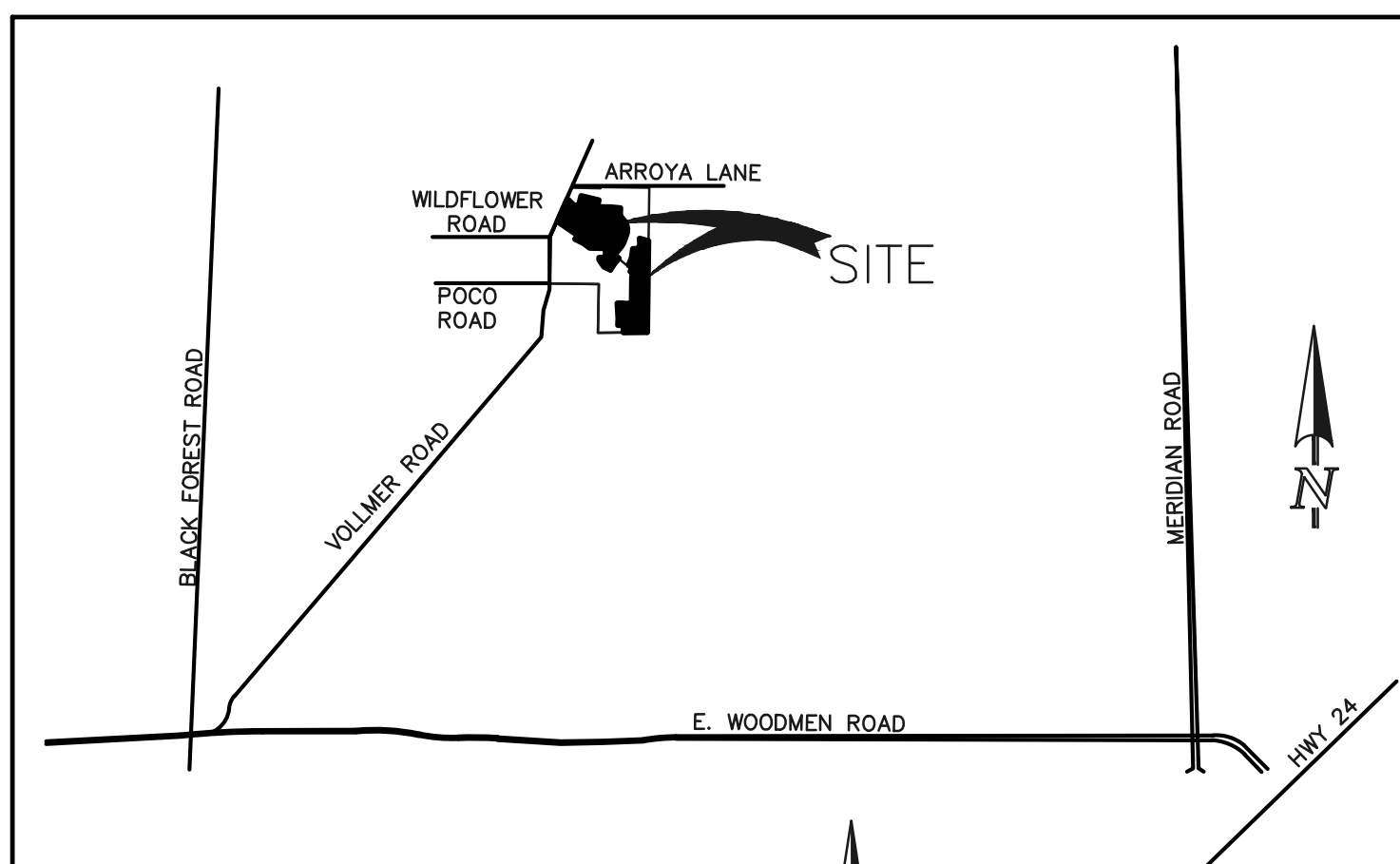
COUNTY OF EL PASO, STATE OF COLORADO

CONSTRUCTION DRAWINGS

MARCH 2021

GENERAL CONSTRUCTION NOTES:

- THE LOCATION OF EXISTING UTILITIES ARE SHOWN IN AN APPROXIMATE WAY ONLY AND MAY NOT INCLUDE ALL UTILITIES. THE EXCAVATION CONTRACTOR SHALL DETERMINE THE EXACT LOCATION OF ALL EXISTING UTILITIES BEFORE COMMENCING WORK. THE CONTRACTOR AGREES TO BE FULLY RESPONSIBLE FOR ANY AND ALL DAMAGES WHICH MIGHT BE OCCASIONED BY HIS FAILURE TO EXACTLY LOCATE AND PRESERVE ANY AND ALL UTILITIES.
- BEFORE COMMENCING ANY EXCAVATION, CALL 1-800-922-1987 FOR EXISTING UTILITY LOCATIONS.
- THE CONTRACTOR WILL TAKE THE NECESSARY PRECAUTIONS TO PROTECT EXISTING UTILITIES FROM DAMAGE DUE TO THIS OPERATION. ANY DAMAGE TO THE UTILITIES WILL BE REPAIRED AT THE CONTRACTOR'S EXPENSE, AND ANY SERVICE DISRUPTION WILL BE SETTLED BY THE CONTRACTOR.
- ALL BACKFILL, SUB-BASE AND/OR BASE COURSE (CLASS 6) MATERIAL SHALL BE COMPACTED TO THE SOILS ENGINEER'S RECOMMENDATIONS, AND APPROVED BY EL PASO COUNTY PLANNING AND COMMUNITY DEVELOPMENT (PCD).
- ALL STATIONING IS CENTERLINE UNLESS OTHERWISE INDICATED. ALL ELEVATIONS ARE CENTERLINE UNLESS OTHERWISE INDICATED.
- THE CONTRACTOR SHALL REVEGETATE ALL DISTURBED AREAS AS SOON AS POSSIBLE AND EROSION CONTROL SHALL BE INSTALLED AND MAINTAINED IN A FUNCTIONAL MANNER AT ALL TIMES. DEVELOPER RESPONSIBLE FOR MAINTAINING DISTURBED AREAS UNTIL REVEGETATION IS COMPLETE.
- ALL DISTURBED PAVEMENT EDGES SHALL BE CUT TO NEAT LINES. REPAIR SHALL CONFORM TO THE EPC ECM APPENDIX K - 1.2C.
- ADDITIONAL EROSION CONTROL STRUCTURES MAY BE REQUIRED AT THE TIME OF CONSTRUCTION.
- BUILDING CONTRACTORS WILL BE RESPONSIBLE FOR CONSTRUCTING POSITIVE DRAINAGE AWAY FROM ALL STRUCTURES.
- ASPHALT THICKNESS AND BASE COURSE THICKNESS (COMPACTED) FOR ROADS SHALL BE PER DESIGN REPORT BY OWNER'S GEOTECHNICAL ENGINEER. OWNER'S GEOTECHNICAL ENGINEER TO BE ON SITE AT TIME OF ROAD CONSTRUCTION TO EVALUATE SOIL CONDITIONS AND DETERMINE IF ADDITIONAL MEASURES ARE NECESSARY TO ASSURE STABILITY OF THE NEW ROADS. PAVEMENT DESIGN SHALL BE APPROVED BY PLANNING AND COMMUNITY DEVELOPMENT PRIOR TO CONSTRUCTION.
- THE CONTRACTOR SHALL REVEGETATE ALL DISTURBED AREAS WITHIN 21 DAYS OF SUBSTANTIAL GRADING COMPLETION. EROSION CONTROL SHALL BE INSTALLED AND MAINTAINED IN A FUNCTIONAL MANNER AT ALL TIMES. DEVELOPER IS RESPONSIBLE FOR MAINTAINING DISTURBED AREAS UNTIL REVEGETATION IS COMPLETE.
- TYPE M RIP-RAP WITH 4" OF TYPE II GRANULAR BEDDING AND MIRAFI 180N OR EQUAL MAY BE SUBSTITUTED WHERE TYPE L RIP-RAP WITH MIRAFI FW 700 OR EQUAL IS SPECIFIED.
- ALL MATERIALS AND INSTALLATION PROCEDURES SHALL BE IN COMPLIANCE WITH ANY AND ALL APPLICABLE EL PASO COUNTY STANDARDS.



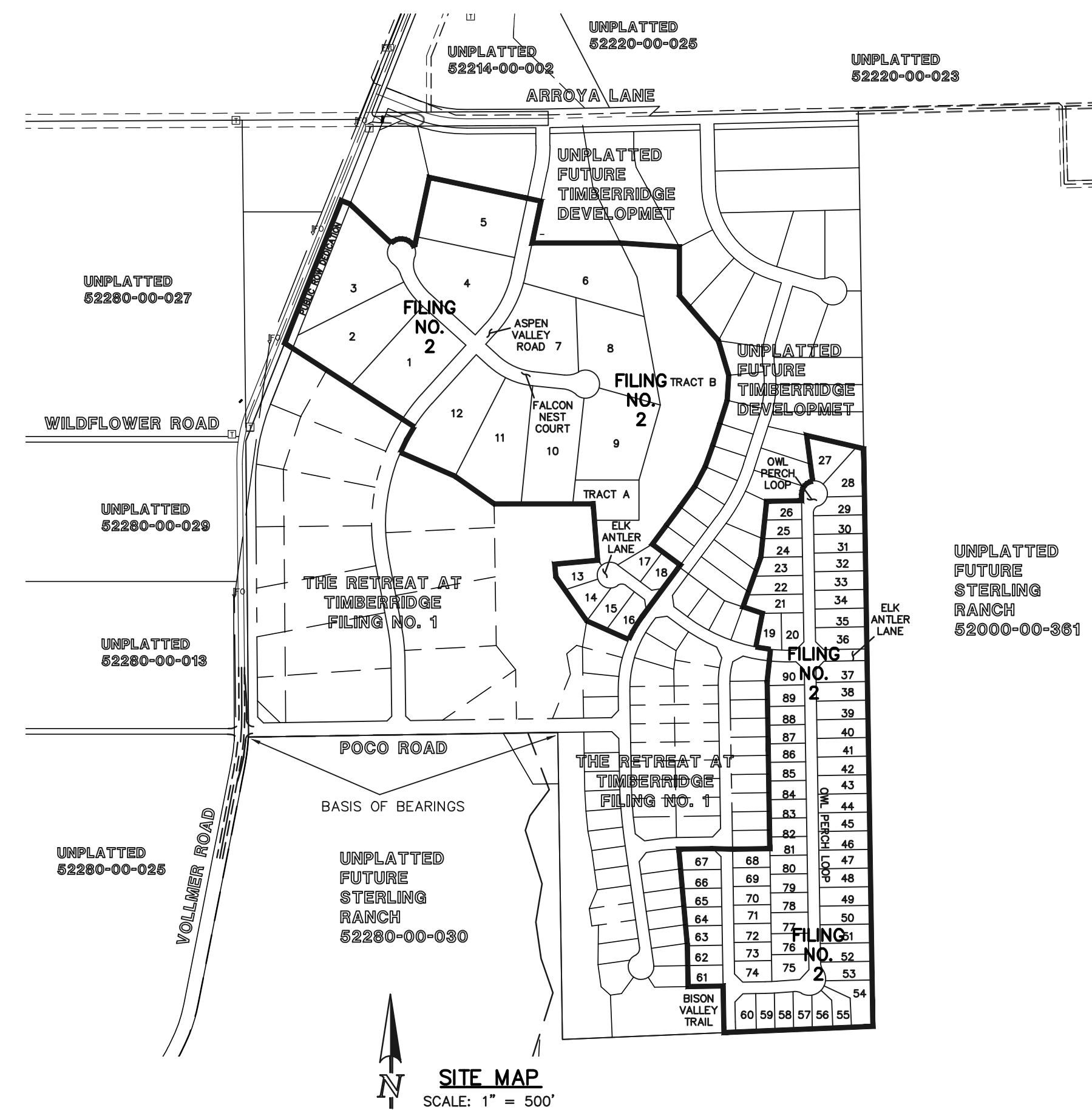
VICINITY MAP
N.T.S.

STANDARD NOTES FOR EL PASO COUNTY CONSTRUCTION PLANS:

- ALL DRAINAGE AND ROADWAY CONSTRUCTION SHALL MEET THE STANDARDS AND SPECIFICATIONS OF THE CITY OF COLORADO SPRINGS/EL PASO COUNTY DRAINAGE CRITERIA MANUAL, VOLUMES 1 AND 2, AND THE EL PASO COUNTY ENGINEERING CRITERIA MANUAL.
- CONTRACTOR SHALL BE RESPONSIBLE FOR THE NOTIFICATION AND FIELD NOTIFICATION OF ALL EXISTING UTILITIES, WHETHER SHOWN ON THE PLANS OR NOT, BEFORE BEGINNING CONSTRUCTION. LOCATION OF EXISTING UTILITIES SHALL BE VERIFIED BY THE CONTRACTOR PRIOR TO CONSTRUCTION. CALL 811 TO CONTACT THE UTILITY NOTIFICATION CENTER OF COLORADO (UNCC).
- CONTRACTOR SHALL KEEP A COPY OF THESE APPROVED PLANS, THE GRADING AND EROSION CONTROL PLAN, THE STORMWATER MANAGEMENT PLAN (SWMP), THE SOILS AND GEOTECHNICAL REPORT, AND THE APPROPRIATE DESIGN AND CONSTRUCTION STANDARDS AND SPECIFICATIONS AT THE JOB SITE AT ALL TIMES, INCLUDING THE FOLLOWING:
 - EL PASO COUNTY ENGINEERING CRITERIA MANUAL (ECM)
 - CITY OF COLORADO SPRINGS/EL PASO COUNTY DRAINAGE CRITERIA MANUAL, VOLUMES 1 AND 2
 - COLORADO DEPARTMENT OF TRANSPORTATION (CDOT) STANDARD SPECIFICATIONS FOR ROAD AND BRIDGE CONSTRUCTION
 - CDOT M & S STANDARDS
- NOTWITHSTANDING ANYTHING DEPICTED IN THESE PLANS IN WORDS OR GRAPHIC REPRESENTATION, ALL DESIGN AND CONSTRUCTION RELATED TO ROADS, STORM DRAINAGE AND EROSION CONTROL SHALL CONFORM TO THE STANDARDS AND REQUIREMENTS OF THE MOST RECENT VERSION OF THE RELEVANT ADOPTED EL PASO COUNTY STANDARDS, INCLUDING THE LAND DEVELOPMENT CODE, THE ENGINEERING CRITERIA MANUAL, THE DRAINAGE CRITERIA MANUAL, AND THE DRAINAGE CRITERIA MANUAL, VOLUME 2. ANY DEVIATIONS FROM REGULATIONS AND STANDARDS MUST BE REQUESTED, AND APPROVED, IN WRITING. ANY MODIFICATIONS NECESSARY TO MEET CRITERIA AFTER-THE-FACT WILL BE ENTIRELY THE DEVELOPER'S RESPONSIBILITY TO RECTIFY.
- IT IS THE DESIGN ENGINEER'S RESPONSIBILITY TO ACCURATELY SHOW EXISTING CONDITIONS, BOTH ONSITE AND OFFSITE, ON THE CONSTRUCTION PLANS. ANY MODIFICATIONS NECESSARY DUE TO CONFLICTS, OMISSIONS, OR CHANGED CONDITIONS WILL BE ENTIRELY THE DEVELOPER'S RESPONSIBILITY TO RECTIFY.
- CONTRACTOR SHALL SCHEDULE A PRE-CONSTRUCTION MEETING WITH EL PASO COUNTY PLANNING AND COMMUNITY DEVELOPMENT - INSPECTIONS, PRIOR TO STARTING CONSTRUCTION.
- IT IS THE CONTRACTOR'S RESPONSIBILITY TO UNDERSTAND THE REQUIREMENTS OF ALL JURISDICTIONAL AGENCIES AND TO OBTAIN ALL REQUIRED PERMITS, INCLUDING BUT NOT LIMITED TO EL PASO COUNTY EROSION AND STORMWATER QUALITY CONTROL PERMIT (ESQCP), REGIONAL BUILDING FLOODPLAIN DEVELOPMENT PERMIT, U.S. ARMY CORPS OF ENGINEERS-ISSUED 401 AND/OR 404 PERMITS, AND COUNTY AND STATE FUGITIVE DUST PERMITS.
- CONTRACTOR SHALL NOT DEVIATE FROM THE PLANS WITHOUT FIRST OBTAINING WRITTEN APPROVAL FROM THE DESIGN ENGINEER AND PCD. CONTRACTOR SHALL NOTIFY THE DESIGN ENGINEER IMMEDIATELY UPON DISCOVERY OF ANY ERRORS OR INCONSISTENCIES.
- ALL STORM DRAIN PIPE SHALL BE CLASS III RCP OR CLASS IV WITH WATER TIGHT JOINTS WHERE CALLED OUT, UNLESS OTHERWISE NOTED AND APPROVED BY PCD.
- CONTRACTOR SHALL COORDINATE GEOTECHNICAL TESTING PER ECM STANDARDS. PAVEMENT DESIGN SHALL BE APPROVED BY EL PASO COUNTY PCD PRIOR TO PLACEMENT OF CURB AND GUTTER AND PAVEMENT.
- ALL CONSTRUCTION TRAFFIC MUST ENTER/EXIT THE SITE AT APPROVED CONSTRUCTION ACCESS POINTS.
- SIGHT VISIBILITY TRIANGLES AS IDENTIFIED IN THE PLANS SHALL BE PROVIDED AT ALL INTERSECTIONS. OBSTRUCTIONS GREATER THAN 18 INCHES ABOVE FLOWLINE ARE NOT ALLOWED WITHIN SIGHT TRIANGLES.
- SIGNING AND STRIPING SHALL COMPLY WITH EL PASO COUNTY DEPARTMENT OF PUBLIC WORKS AND MUTCD CRITERIA.
- CONTRACTOR SHALL OBTAIN ANY PERMITS REQUIRED BY EL PASO COUNTY DEPARTMENT OF PUBLIC WORKS, INCLUDING WORK WITHIN THE RIGHT-OF-WAY AND SPECIAL TRANSPORT PERMITS.
- THE LIMITS OF CONSTRUCTION SHALL REMAIN WITHIN THE PROPERTY LINE UNLESS OTHERWISE NOTED. THE OWNER/DEVELOPER SHALL OBTAIN WRITTEN PERMISSION AND EASEMENTS, WHERE REQUIRED, FROM ADJOINING PROPERTY OWNER(S) PRIOR TO ANY OFF-SITE DISTURBANCE, GRADING, OR CONSTRUCTION.

SIGNING AND STRIPING NOTES:

- ALL SIGNS AND PAVEMENT MARKINGS SHALL BE IN COMPLIANCE WITH THE CURRENT MANUAL ON UNIFORM TRAFFIC CONTROL DEVICES (MUTCD).
- REMOVAL OF EXISTING PAVEMENT MARKINGS SHALL BE ACCOMPLISHED BY A METHOD THAT DOES NOT MATERIALLY DAMAGE THE PAVEMENT. THE PAVEMENT MARKINGS SHALL BE REMOVED TO THE EXTENT THAT THEY WILL NOT BE VISIBLE UNDER DAY OR NIGHT CONDITIONS. AT NO TIME WILL IT BE ACCEPTABLE TO PAINT OVER EXISTING PAVEMENT MARKINGS.
- ANY DEVIATION FROM THE STRIPING AND SIGNING PLAN SHALL BE APPROVED BY EL PASO COUNTY PLANNING AND COMMUNITY DEVELOPMENT.
- ALL SIGNS SHOWN ON THE SIGNING AND STRIPING PLAN SHALL BE NEW SIGNS. EXISTING SIGNS MAY REMAIN OR BE REUSED IF THEY MEET CURRENT EL PASO COUNTY AND MUTCD STANDARDS.
- STREET NAME AND REGULATORY STOP SIGNS SHALL BE ON THE SAME POST AT INTERSECTIONS.
- ALL REMOVED SIGNS SHALL BE DISPOSED OF IN A PROPER MANNER BY THE CONTRACTOR.
- ALL STREET NAME SIGNS SHALL HAVE "T" SERIES LETTERS, WITH LOCAL ROADWAY SIGNS BEING 4" UPPER-LOWER CASE LETTERING ON 8" BLANK AND NON-LOCAL ROADWAY SIGNS BEING 6" LETTERING, UPPER-LOWER CASE ON 12" BLANK, WITH A WHITE BORDER THAT IS NOT RECESSED. MULTI-LANE ROADWAYS WITH SPEED LIMITS OF 40 MPH OR HIGHER SHALL HAVE 8" UPPER-LOWER CASE LETTERING ON 18" BLANK WITH A WHITE BORDER THAT IS NOT RECESSED. THE WIDTH OF THE NON-RECESSED WHITE BORDERS SHALL MATCH PAGE 255 OF THE 2012 MUTCD "STANDARD HIGHWAY SIGNS".
- ALL TRAFFIC SIGNS SHALL HAVE A MINIMUM HIGH INTENSITY PRISMATIC GRADE SHEETING.
- ALL LOCAL RESIDENTIAL STREET SIGNS SHALL BE MOUNTED ON A 1.75" X 1.75" SQUARE TUBE SIGN POST AND STUB POST BASE. FOR OTHER APPLICATIONS, REFER TO THE CDOT STANDARD S-614-8 REGARDING USE OF THE P2 TUBULAR STEEL POST SLIPBASE DESIGN.
- ALL SIGNS SHALL BE SINGLE SHEET ALUMINUM WITH 0.100" MINIMUM THICKNESS.
- ALL LIMIT LINES/STOP LINES, CROSSWALK LINES, PAVEMENT LEGENDS, AND ARROWS SHALL BE A MINIMUM 125 MIL THICKNESS PREFORMED THERMOPLASTIC PAVEMENT MARKINGS WITH TAPERED LEADING EDGES PER CDOT STANDARD S-627-1. WORD AND SYMBOL MARKINGS SHALL BE THE NARROW TYPE. STOP BARS SHALL BE 24" IN WIDTH. CROSSWALK LINES SHALL BE 12" WIDE AND 8" LONG PER CDOT S-627-1.
- ALL LONGITUDINAL LINES SHALL BE A MINIMUM 15MIL THICKNESS EPOXY PAINT. ALL NON-LOCAL RESIDENTIAL ROADWAYS SHALL INCLUDE BOTH RIGHT AND LEFT EDGE LINE STRIPING AND ANY ADDITIONAL STRIPING AS REQUIRED BY CDOT S-627-1.
- THE CONTRACTOR SHALL NOTIFY EL PASO COUNTY PLANNING AND COMMUNITY DEVELOPMENT (719) 520-6819 PRIOR TO AND UPON COMPLETION OF SIGNING AND STRIPING.
- THE CONTRACTOR SHALL OBTAIN A WORK IN THE RIGHT OF WAY PERMIT FROM THE EL PASO COUNTY DEPARTMENT OF PUBLIC WORKS (DPW) PRIOR TO ANY SIGNAGE OR STRIPING WORK WITHIN AN EXISTING EL PASO COUNTY ROADWAY.



SITE MAP
SCALE: 1" = 500'

BASIS OF BEARINGS:

THE SOUTH LINE OF THE SOUTHEAST QUARTER OF THE NORTHEAST QUARTER OF SECTION 28, TOWNSHIP 12 SOUTH, RANGE 65 WEST OF THE SIXTH PRINCIPAL MERIDIAN, BEING MONUMENTED AT THE WEST END WHICH IS THE SOUTHWEST CORNER OF THE SOUTHEAST QUARTER OF THE NORTHEAST QUARTER OF SAID SECTION 28, BY A 3-1/4" ALUMINUM SURVEYORS CAP STAMPED "ESI PLS 10376, 2006" AND AT THE EAST END, WHICH IS A 30" WITNESS CORNER TO THE EAST OF THE EAST QUARTER CORNER OF SAID SECTION 28, BY A 3-1/4" ALUMINUM SURVEYORS CAP STAMPED "ESI 10376, 2006", IS ASSUMED TO BEAR S89°08'28"W A DISTANCE OF 1326.68 FEET.

BENCHMARKS:

BENCHMARK #1: A 3.25 ALUMINUM SURVEYORS CAP STAMPED "WC 30/2006 PLS 10376" LOCATED 30' EAST OF THE EAST QUARTER CORNER OF SECTION 28, TOWNSHIP 12 SOUTH, RANGE 65 WEST OF THE 6TH PRINCIPAL MERIDIAN. ELEVATION: = 7168.20

BENCH MARK #2: A 3.25 ALUMINUM SURVEYORS CAP STAMPED "2006 PLS 10376" LOCATED AT THE SOUTHEAST CORNER OF SECTION 28, TOWNSHIP 12 SOUTH, RANGE 65 WEST OF THE 6TH PRINCIPAL MERIDIAN. ELEVATION: = 7141.36

AGENCIES:

- OWNER/DEVELOPER: TIMBERRIDGE DEVELOPMENT GROUP, LLC
2138 FLYING HORSE CLUB DR
COLORADO SPRINGS, CO 80921
MR. LOREN J. MORELAND, (719) 592-9333
- CIVIL ENGINEER: CLASSIC CONSULTING ENGINEERS & SURVEYORS
619 N. CASCADE AVENUE, SUITE 200
COLORADO SPRINGS, COLORADO 80903
MR. MARC A. WHORTON, P.E. (719) 785-2802
- COUNTY ENGINEERING: EL PASO COUNTY PLANNING AND COMMUNITY DEVELOPMENT
2880 INTERNATIONAL CIRCLE, SUITE 110
COLORADO SPRINGS, COLORADO 80910
MR. JEFF RICE (719) 520-7877
- GAS COMPANY: BLACKHILLS ENERGY
37 WIDEFIELD BOULEVARD
WIDEFIELD, COLORADO 80911
MR. GEORGE M. PETERSON, (719) 392-3491
- ELECTRIC COMPANY: MOUNTAIN VIEW ELECTRIC
P.O. BOX 1600
LIMON, COLORADO 80828
MR. LES ULFERS, (719) 495-2283
- FIRE DISTRICT: BLACK FOREST FIRE PROTECTION DISTRICT
11445 TEACHOUT ROAD
COLORADO SPRINGS, CO 80908
CHIEF BRYAN JACK, (719) 495-4300
- TELEPHONE COMPANY: CENTURY LINK
(LOCATORS) 811
AT & T
(LOCATORS) 811

SHEET INDEX

SHEET 1 OF 24	TITLE SHEET
SHEET 2 OF 24	STREET SECTIONS / EROSION CONTROL NOTES
SHEET 3-5 OF 24	OVERLOT GRADING & EROSION CONTROL PLAN
SHEET 6 OF 24	ASPEN VALLEY ROAD PLAN AND PROFILE
SHEET 7 OF 24	FALCON NEST COURT PLAN AND PROFILE
SHEET 8 OF 24	BISON VALLEY TRAIL PLAN AND PROFILE
SHEET 9 OF 24	ELK ANTLER LANE PLAN AND PROFILE
SHEET 10 OF 24	OWL PERCH LOOP PLAN AND PROFILE
SHEET 11 OF 24	OWL PERCH LOOP PLAN AND PROFILE
SHEET 12 OF 24	PEDESTRIAN RAMP DETAILS
SHEET 13 OF 24	STREET LIGHT POLE LOCATION PLAN
SHEET 14-18 OF 24	STORM SEWER PLAN AND PROFILE
SHEET 19-20 OF 24	CHANNEL PLANS
SHEET 21-22 OF 24	POND PLANS
SHEET 23-24 OF 24	DETAIL SHEETS

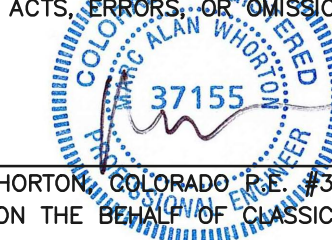
(28 total sheets)

AS-BUILT
11-30-2023

APPROVALS:

DESIGN ENGINEER'S STATEMENT:

THESE DETAILED PLANS AND SPECIFICATIONS WERE PREPARED UNDER MY DIRECTION AND SUPERVISION. SAID PLANS AND SPECIFICATIONS HAVE BEEN PREPARED ACCORDING TO THE CRITERIA ESTABLISHED BY THE COUNTY FOR DETAILED ROADWAY, DRAINAGE, GRADING AND EROSION CONTROL PLANS AND SPECIFICATIONS, AND SAID PLANS AND SPECIFICATIONS ARE IN CONFORMITY WITH APPLICABLE MASTER DRAINAGE PLANS AND MASTER TRANSPORTATION PLANS. SAID PLANS AND SPECIFICATIONS MEET THE PURPOSES FOR WHICH THE PARTICULAR ROADWAY AND DRAINAGE FACILITIES ARE DESIGNED AND ARE CORRECT TO THE BEST OF MY KNOWLEDGE AND BELIEF. I ACCEPT RESPONSIBILITY FOR ANY LIABILITY DIRECTLY CAUSED BY THE NEGLIGENT ACTS, ERRORS, OR OMISSIONS ON MY PART IN PREPARATION OF THESE DETAILED PLANS AND SPECIFICATIONS.



3/23/2022

MARC A. WHORTON, COLORADO P.E. #37155
FOR AND ON THE BEHALF OF CLASSIC CONSULTING ENGINEERS & SURVEYORS

DATE

OWNER/DEVELOPER'S STATEMENT:

I, THE OWNER/DEVELOPER HAVE READ AND WILL COMPLY WITH THE REQUIREMENTS OF THE GRADING AND EROSION CONTROL PLAN AND ALL THE REQUIREMENTS SPECIFIED IN THESE DETAILED PLANS AND SPECIFICATIONS.

Loren J. Moreland
LOREN J. MORELAND

3/23/2022
DATE

EL PASO COUNTY:

COUNTY PLAN REVIEW IS PROVIDED ONLY FOR GENERAL CONFORMANCE WITH COUNTY DESIGN CRITERIA. THE COUNTY IS NOT RESPONSIBLE FOR THE ACCURACY AND ADEQUACY OF THE DESIGN, DIMENSIONS, AND/OR ELEVATIONS WHICH SHALL BE CONFIRMED AT THE JOB SITE. THE COUNTY THROUGH THE APPROVAL OF THIS DOCUMENT ASSUMES NO RESPONSIBILITY FOR COMPLETENESS AND/OR ACCURACY OF THIS DOCUMENT.

FILED IN ACCORDANCE WITH THE REQUIREMENTS OF THE EL PASO COUNTY LAND DEVELOPMENT CODE, DRAINAGE CRITERIA MANUAL, VOLUMES 1 AND 2 AND ENGINEERING CRITERIA MANUAL AS AMENDED.

IN ACCORDANCE WITH WITH ECM SECTION 1.12, THESE CONSTRUCTION DOCUMENTS WILL BE VALID FOR CONSTRUCTION FOR A PERIOD OF 2 YEARS FROM THE DATE SIGNED BY THE EL PASO COUNTY ENGINEER. IF CONSTRUCTION HAS NOT STARTED WITHIN THOSE 2 YEARS, THE PLANS WILL NEED TO BE RESUBMITTED FOR APPROVAL, INCLUDING PAYMENT OF REVIEW FEES AT THE PLANNING AND COMMUNITY DEVELOPMENT DIRECTOR'S DISCRETION.

* APPROVED
Engineering Department
06242023 09:49 PM
MARC A. WHORTON
EPC Planning & Community
Development Department
COUNTY ENGINEER / ECM ADMINISTRATOR

* No construction in or affecting the Sand Creek channel or offsite properties shall begin until the necessary permits, plans, and easements have been reviewed and accepted by PCD.
PCD No. SF-21-021

48 HOURS BEFORE YOU DIG, CALL UTILITY LOCATORS 811 UTILITY NOTIFICATION CENTER OF COLORADO IT'S THE LAW	NO. REVISION	DATE	REVIEW:
THE LOCATIONS OF EXISTING UNDERGROUND UTILITIES ARE SHOWN IN AN APPROXIMATE WAY ONLY. THE CONTRACTOR SHALL DETERMINE THE EXACT LOCATION OF ALL EXISTING UTILITIES BEFORE COMMENCING WORK. THE CONTRACTOR SHALL BE FULLY RESPONSIBLE FOR ANY AND ALL DAMAGES WHICH MIGHT BE CAUSED BY HIS FAILURE TO EXACTLY LOCATE AND PRESERVE ANY AND ALL UNDERGROUND UTILITIES.	1	REVISED PER COUNTY COMMENTS	8/16/21

PREPARED UNDER MY DIRECT SUPERVISION FOR AND ON BEHALF OF CLASSIC CONSULTING ENGINEERS AND SURVEYORS, LLC
MARC A. WHORTON, COLORADO P.E. #37155

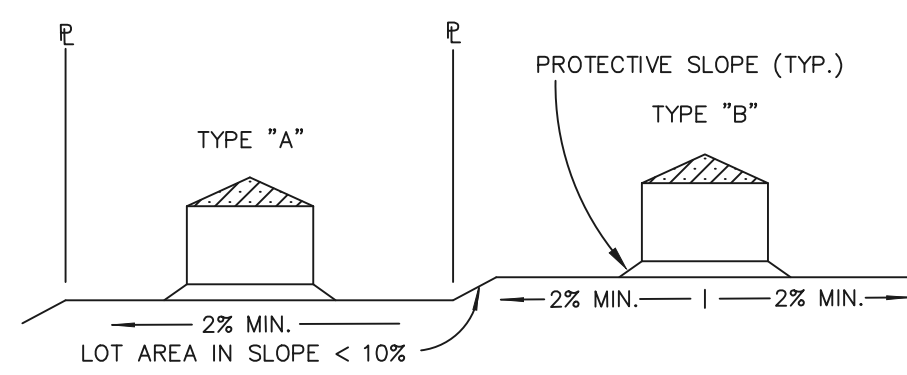
3/23/2022
DATE

619 N. Cascade Avenue, Suite 200 (719) 785-0790
Colorado Springs, Colorado 80903 (719) 785-0799 (Fax)

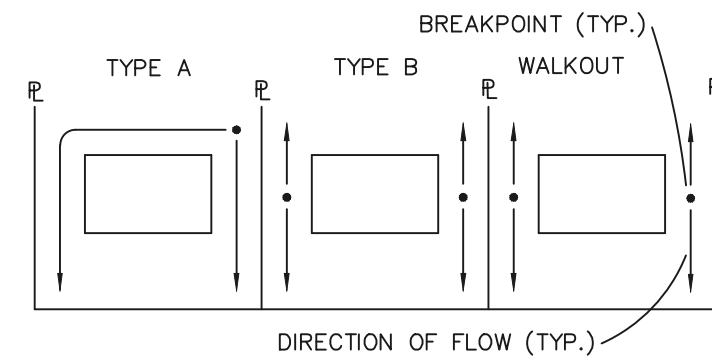
RETREAT AT TIMBERRIDGE FILING NO. 2 CONSTRUCTION DRAWINGS TITLE SHEET			
DESIGNED BY	PRA	SCALE	DATE 02-25-21
DRAWN BY	PRA	(H) 1" = N/A	SHEET 1 OF 24
CHECKED BY		(V) 1" = N/A	JOB NO. 1185.20

STANDARD NOTES FOR EL PASO COUNTY GRADING AND EROSION CONTROL PLANS:

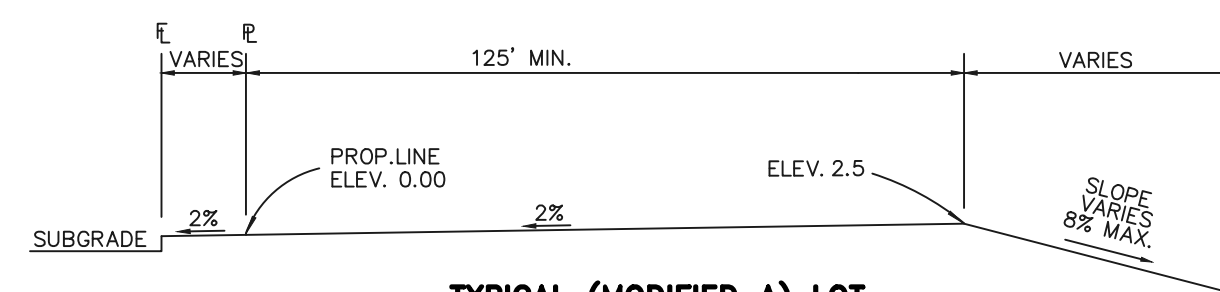
- STORMWATER DISCHARGES FROM CONSTRUCTION SITES SHALL NOT CAUSE OR THREATEN TO CAUSE POLLUTION, CONTAMINATION, OR DEGRADATION OF STATE WATERS. ALL WORK AND EARTH DISTURBANCE SHALL BE DONE IN A MANNER THAT MINIMIZES POLLUTION OF ANY ON-SITE OR OFF-SITE WATERS, INCLUDING WETLANDS.
- NOTWITHSTANDING ANYTHING DEPICTED IN THESE PLANS IN WORDS OR GRAPHIC REPRESENTATION, ALL DESIGN AND CONSTRUCTION RELATED TO ROADS, STORM DRAINAGE AND EROSION CONTROL SHALL CONFORM TO THE STANDARDS AND REQUIREMENTS OF THE MOST RECENT VERSION OF THE RELEVANT ADOPTED EL PASO COUNTY STANDARDS, INCLUDING THE LAND DEVELOPMENT CODE, THE ENGINEERING CRITERIA MANUAL, THE DRAINAGE CRITERIA MANUAL, AND THE DRAINAGE CRITERIA MANUAL VOLUME 2. ANY DEVIATIONS TO REGULATIONS AND STANDARDS MUST BE REQUESTED, AND APPROVED, IN WRITING.
- A SEPARATE STORMWATER MANAGEMENT PLAN (SWMP) FOR THIS PROJECT SHALL BE COMPLETED AND AN EROSION AND STORMWATER QUALITY CONTROL PERMIT (ESQCP) ISSUED PRIOR TO COMMENCING CONSTRUCTION. DURING CONSTRUCTION THE SWMP IS THE RESPONSIBILITY OF THE DESIGNATED QUALIFIED STORMWATER MANAGER OR CERTIFIED EROSION CONTROL INSPECTOR AND SHALL BE LOCATED ON SITE AT ALL TIMES DURING CONSTRUCTION AND SHALL BE KEPT UP TO DATE WITH WORK PROGRESS AND CHANGES IN THE FIELD.
- ONCE THE ESQCP IS APPROVED AND A (NOTICE TO PROCEED) HAS BEEN ISSUED, THE CONTRACTOR MAY INSTALL THE INITIAL STAGE EROSION AND SEDIMENT CONTROL MEASURES AS INDICATED ON THE APPROVED G.C. A PRECONSTRUCTION MEETING BETWEEN THE CONTRACTOR, ENGINEER, AND EL PASO COUNTY WILL BE HELD PRIOR TO ANY CONSTRUCTION. IT IS THE RESPONSIBILITY OF THE APPLICANT TO COORDINATE THE MEETING TIME AND PLACE WITH COUNTY STAFF.
- CONTROL MEASURES MUST BE INSTALLED PRIOR TO COMMENCEMENT OF ACTIVITIES THAT MAY CONTRIBUTE POLLUTANTS TO STORMWATER. TEMPORARY SEDIMENT AND EROSION CONTROL MEASURES FOR ALL SLOPES, CHANNELS, DITCHES, OR ANY DISTURBED LAND AREA SHALL BE COMPLETED IMMEDIATELY UPON COMPLETION OF THE DISTURBANCE.
- ALL TEMPORARY SEDIMENT AND EROSION CONTROL MEASURES SHALL BE MAINTAINED AND REMAIN IN EFFECTIVE OPERATING CONDITION UNTIL PERMANENT SOIL EROSION CONTROL MEASURES ARE IMPLEMENTED AND FINAL STABILIZATION IS ESTABLISHED. ALL PERSONS ENGAGED IN LAND DISTURBANCE ACTIVITIES SHALL ASSESS THE ADEQUACY OF CONTROL MEASURES AT THE SITE AND IDENTIFY IF CHANGES TO THOSE CONTROL MEASURES IS NEEDED TO ENSURE THE CONTINUED EFFECTIVE PERFORMANCE OF THE CONTROL MEASURES. ALL CHANGES TO TEMPORARY SEDIMENT AND EROSION CONTROL MEASURES MUST BE INCORPORATED INTO THE STORMWATER MANAGEMENT PLAN.
- TEMPORARY STABILIZATION SHALL BE IMPLEMENTED ON DISTURBED AREAS AND STOCKPILES WHERE GROUND DISTURBING CONSTRUCTION ACTIVITY HAS PERMANENTLY CEASED OR TEMPORARILY CEASED FOR LONGER THAN 14 DAYS.
- FINAL STABILIZATION MUST BE IMPLEMENTED AT ALL APPLICABLE CONSTRUCTION SITES. FINAL STABILIZATION IS ACHIEVED WHEN ALL GROUND DISTURBING ACTIVITIES ARE COMPLETE AND ALL DISTURBED AREAS EITHER HAVE A UNIFORM VEGETATIVE COVER WITH INDIVIDUAL PLAN DENSITY OF 70 PERCENT OF PRE-DISTURBANCE LEVELS ESTABLISHED OR EQUIVALENT PERMANENT ALTERNATIVE STABILIZATION METHOD IS IMPLEMENTED. ALL TEMPORARY SEDIMENT AND EROSION CONTROL MEASURES SHALL BE REMOVED UPON FINAL STABILIZATION AND BEFORE PERMIT CLOSURE.
- ALL PERMANENT STORMWATER MANAGEMENT FACILITIES SHALL BE INSTALLED AS DEFINED IN THE APPROVED PLANS. ANY PROPOSED CHANGES THAT AFFECT THE HYDROLOGY OR HYDRAULICS OF A PERMANENT STORMWATER MANAGEMENT STRUCTURES MUST BE APPROVED BY THE EGM ADMINISTRATOR PRIOR TO IMPLEMENTATION.
- EARTH DISTURBANCES SHALL BE CONDUCTED IN SUCH A MANNER SO AS TO EFFECTIVELY MINIMIZE ACCELERATED SOIL EROSION AND RESULTING SEDIMENTATION. ALL DISTURBANCES SHALL BE DESIGNED, CONSTRUCTED, AND COMPLETED SO THAT THE EXPOSED AREA OF ANY DISTURBED LAND SHALL BE LIMITED TO THE SHORTEST PRACTICAL PERIOD OF TIME. PRE-EXISTING VEGETATION SHALL BE PROTECTED AND MAINTAINED WITHIN 50 HORIZONTAL FEET OF A WATERS OF THE STATE, UNLESS SHOWN TO BE INFEASIBLE AND SPECIFICALLY REQUESTED AND APPROVED.
- COMPACTION OF SOIL MUST BE PREVENTED IN AREAS DESIGNATED FOR INFILTRATION CONTROL MEASURES OR WHERE FINAL STABILIZATION WILL BE ACHIEVED BY VEGETATIVE COVER. AREAS DESIGNATED FOR INFILTRATION CONTROL MEASURES SHALL ALSO BE PROTECTED FROM SEDIMENTATION DURING CONSTRUCTION UNTIL FINAL STABILIZATION IS ACHIEVED. IF COMPACTION PREVENTION IS NOT FEASIBLE DUE TO SITE CONSTRAINTS, ALL AREAS DESIGNATED FOR INFILTRATION AND VEGETATION CONTROL MEASURES MUST BE LOOSENEED PRIOR TO INSTALLATION OF THE CONTROL MEASURE(S).
- ANY TEMPORARY OR PERMANENT FACILITY DESIGNED AND CONSTRUCTED FOR THE CONVEYANCE OF STORMWATER AROUND, THROUGH, OR FROM THE EARTH DISTURBANCE AREA SHALL BE A STABILIZED CONVEYANCE DESIGNED TO MINIMIZE EROSION AND THE DISCHARGE OF SEDIMENT OFF SITE.
- CONCRETE WASH WATER SHALL BE CONTAINED AND DISPOSED OF IN ACCORDANCE WITH THE SWMP. NO WASH WATER SHALL BE DISCHARGED TO OR ALLOWED TO RUNOFF TO STATE WATERS, INCLUDING ANY SURFACE OR SUBSURFACE STORM DRAINAGE SYSTEM OR FACILITIES. CONCRETE WASHOUTS SHALL NOT BE LOCATED IN AN AREA WHERE SHALLOW GROUNDWATER MAY BE PRESENT, OR WITHIN 50 FEET OF A SURFACE WATER BODY, CREEK OR STREAM.
- DURING DEWATERING OPERATIONS: UNCONTAMINATED GROUND WATER MAY BE DISCHARGED ON SITE, BUT SHALL NOT LEAVE THE SITE IN THE FORM OF SURFACE RUNOFF UNLESS AN APPROVED STATE DEWATERING PERMIT IS IN PLACE.
- EROSION CONTROL BLANKETING OR OTHER PROTECTIVE COVERING SHALL BE USED ON SLOPES STEEPER THAN 3:1.
- CONTRACTOR SHALL BE RESPONSIBLE FOR THE REMOVAL OF ALL WASTES FROM THE CONSTRUCTION SITE FOR DISPOSAL IN ACCORDANCE WITH LOCAL AND STATE REGULATORY REQUIREMENTS. NO CONSTRUCTION DEBRIS, TREE SLASH, BUILDING MATERIAL WASTES OR UNUSED BUILDING MATERIALS SHALL BE BURIED, DUMPED OR DISCHARGED AT THE SITE.
- WASTE MATERIALS SHALL NOT BE TEMPORARILY PLACED IN THE STREET, ALLEY OR OTHER PUBLIC WAY, UNLESS IN ACCORDANCE WITH AN APPROVED TRAFFIC CONTROL PLAN. CONTROL MEASURES MAY BE REQUIRED BY EL PASO COUNTY ENGINEERING IF DEEMED NECESSARY, BASED ON SPECIFIC CONDITIONS AND CIRCUMSTANCES.
- TRACKING OF SOILS AND CONSTRUCTION DEBRIS OFF-SITE SHALL BE MINIMIZED. MATERIALS TRACKED OFFSITE SHALL BE CLEANED UP AND PROPERLY DISPOSED OF IMMEDIATELY.
- THE OWNER/DEVELOPER SHALL BE RESPONSIBLE FOR THE REMOVAL OF ALL CONSTRUCTION DEBRIS, DIRT, TRASH, ROCK, SEDIMENT, SOIL AND SAND THAT MAY ACCUMULATE IN ROADS, STORM DRAINS AND OTHER DRAINAGE CONVEYANCE SYSTEMS AND STORMWATER APPURTENANCES AS A RESULT OF SITE DEVELOPMENT.
- THE QUANTITY OF MATERIALS STORED ON THE PROJECT SITE SHALL BE LIMITED, AS MUCH AS PRACTICAL, TO THAT QUANTITY REQUIRED TO PERFORM THE WORK IN AN ORDERLY SEQUENCE. ALL MATERIALS STORED ON-SITE SHALL BE STORED IN A NEAT, ORDERLY MANNER, IN THEIR ORIGINAL CONTAINERS, WITH ORIGINAL MANUFACTURER'S LABELS.
- NO CHEMICAL(S) HAVING THE POTENTIAL TO BE RELEASED IN STORMWATER ARE TO BE STORED OR USED ONSITE UNLESS PERMISSION FOR THE USE OF A SPECIFIC CHEMICAL(S) IS GRANTED IN WRITING BY THE EGM ADMINISTRATOR. IN GRANTING APPROVAL FOR THE USE OF SUCH CHEMICAL(S), SPECIAL CONDITIONS AND MONITORING MAY BE REQUIRED.
- BULK STORAGE OF ALLOWED PETROLEUM PRODUCTS OR OTHER LIQUID CHEMICALS IN EXCESS OF 55 GALLONS SHALL REQUIRE ADEQUATE SECONDARY CONTAINMENT PROTECTION TO CONTAIN ALL SPILLS ONSITE AND TO PREVENT ANY SPILLED MATERIALS FROM ENTERING STATE WATERS, ANY SURFACE OR SUBSURFACE STORM DRAINAGE SYSTEM OR FACILITIES.
- NO PERSON SHALL CAUSE THE IMPEDIMENT OF STORMWATER FLOW IN THE CURB AND GUTTER OR DITCH EXCEPT WITH APPROVED SEDIMENT CONTROL MEASURES.
- OWNER/DEVELOPER AND THEIR AGENTS SHALL COMPLY WITH THE COLORADO WATER QUALITY CONTROL ACT (TITLE 25, ARTICLE 8, CRS), AND THE CLEAN WATER ACT (33 USC 1344), IN ADDITION TO THE REQUIREMENTS OF THE LAND DEVELOPMENT CODE, DCM VOLUME II AND THE EGM APPENDIX I. ALL APPROPRIATE PERMITS MUST BE OBTAINED BY THE CONTRACTOR PRIOR TO CONSTRUCTION (1041, NPDES, FLOODPLAIN, 404, FUGITIVE DUST, ETC.). IN THE EVENT OF CONFLICTS BETWEEN THESE REQUIREMENTS AND LAWS, RULES, OR REGULATIONS OF OTHER FEDERAL, STATE, OR COUNTY AGENCIES, THE MORE RESTRICTIVE LAWS, RULES, OR REGULATIONS SHALL APPLY.
- ALL CONSTRUCTION TRAFFIC MUST ENTER/EXIT THE SITE AT APPROVED CONSTRUCTION ACCESS POINTS.
- PRIOR TO CONSTRUCTION THE PERMITEE SHALL VERIFY THE LOCATION OF EXISTING UTILITIES.
- A WATER SOURCE SHALL BE AVAILABLE ON SITE DURING EARTHWORK OPERATIONS AND UTILIZED AS REQUIRED TO MINIMIZE DUST FROM EARTHWORK EQUIPMENT AND WIND.
- THE SOILS REPORTS FOR THIS SITE HAVE BEEN PREPARED BY ENTECH ENGINEERING, INC. TITLED "SOIL GEOLOGY, GEOLOGIC HAZARD AND WASTEWATER STUDY - THE RETREAT AT TIMBER RIDGE, VOLLMER ROAD AND ARROYA LANE," DATED APRIL 12, 2017, REVISED DECEMBER 1, 2017 AND "SUBSURFACE SOIL INVESTIGATION RETREAT AT TIMBERRIDGE, FILING NO. 1, POCO ROAD SAND CREEK CROSSING, DROP STRUCTURES AND DETENTION PONDS" DATED AUGUST 8, 2019. THESE REPORTS SHALL BE CONSIDERED A PART OF THESE PLANS.
- AT LEAST TEN (10) DAYS PRIOR TO THE ANTICIPATED START OF CONSTRUCTION, FOR PROJECTS THAT WILL DISTURB ONE (1) ACRE OR MORE, THE OWNER OR OPERATOR OF CONSTRUCTION ACTIVITY SHALL SUBMIT A PERMIT APPLICATION FOR STORMWATER DISCHARGE TO THE COLORADO DEPARTMENT OF PUBLIC HEALTH AND ENVIRONMENT, WATER QUALITY DIVISION. THE APPLICATION CONTAINS CERTIFICATION OF COMPLETION OF A STORMWATER MANAGEMENT PLAN (SWMP), OF WHICH THIS GRADING AND EROSION CONTROL PLAN MAY BE A PART. FOR INFORMATION OR APPLICATION MATERIALS CONTACT:
COLORADO DEPARTMENT OF PUBLIC HEALTH AND ENVIRONMENT
WATER QUALITY CONTROL DIVISION
WOOD - PERMITS
4300 CHERRY CREEK DRIVE SOUTH
DENVER, CO 80246-1530
ATTN: PERMITS UNIT



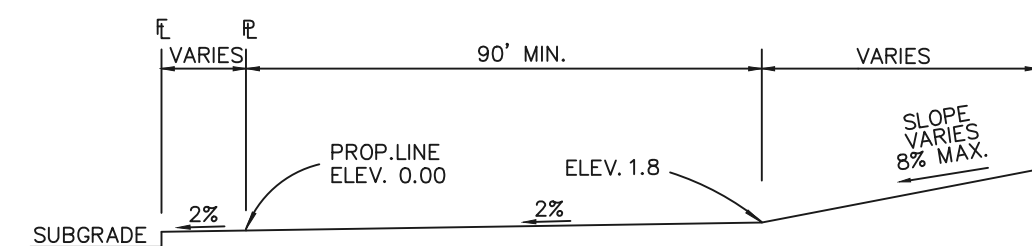
TYPICAL LOT SECTION DETAIL
N.T.S.



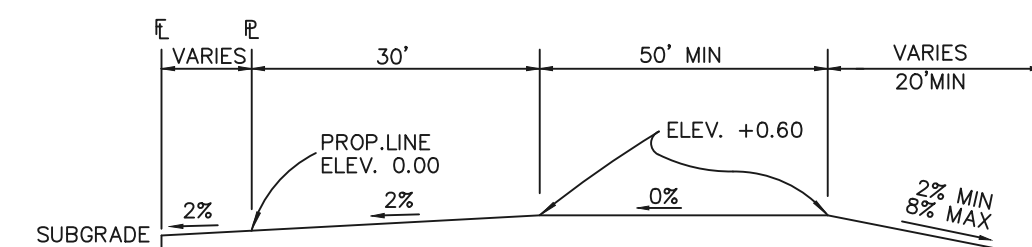
LOT DRAINAGE TYPES
N.T.S.



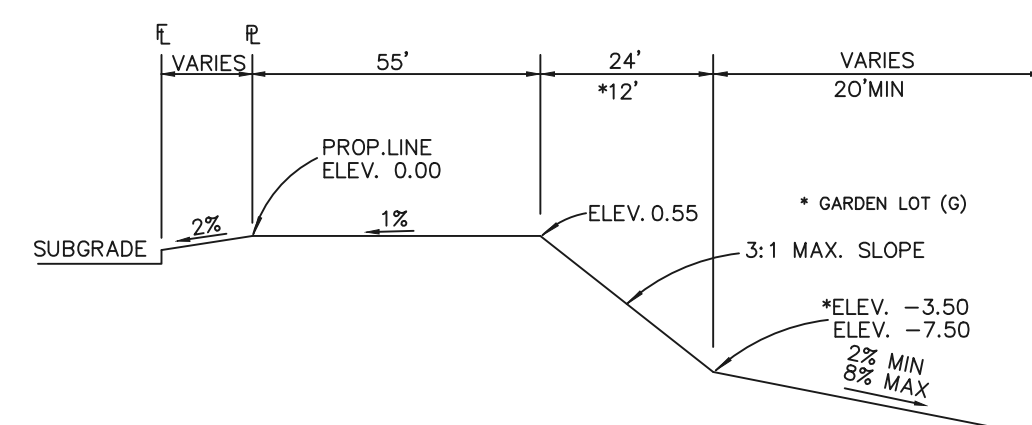
TYPICAL (MODIFIED A) LOT
N.T.S.



TYPICAL (A) LOT
N.T.S.



TYPICAL (B) LOT
N.T.S.



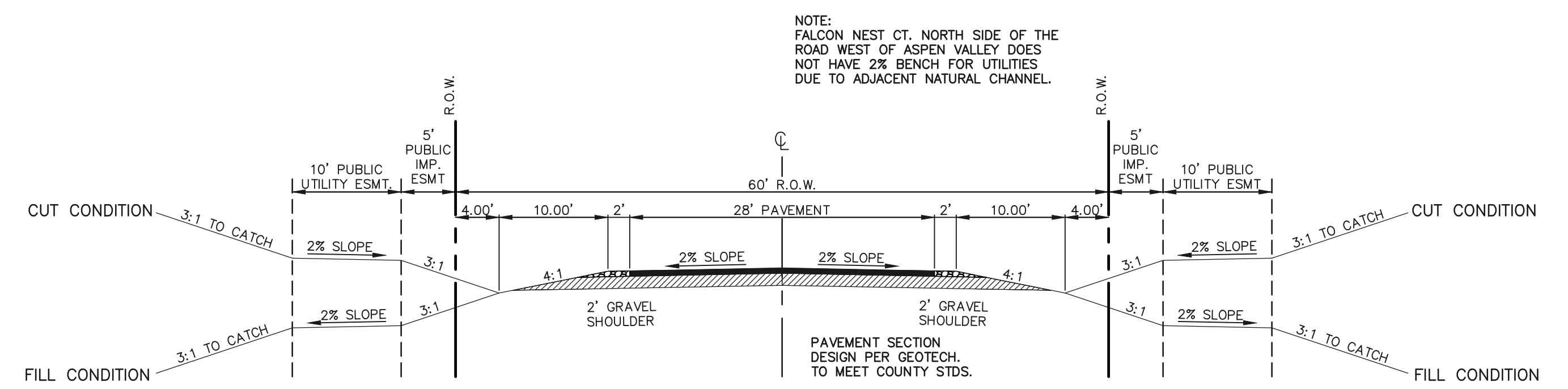
TYPICAL WALKOUT LOT (W/O) OR GARDEN (G)
N.T.S.

NOTES:

BASED ON GREATER TYPICAL DEPTH OF PROPOSED LOTS, ALL LOT TEMPLATES ADJUSTED AND ADDITIONAL 5'.

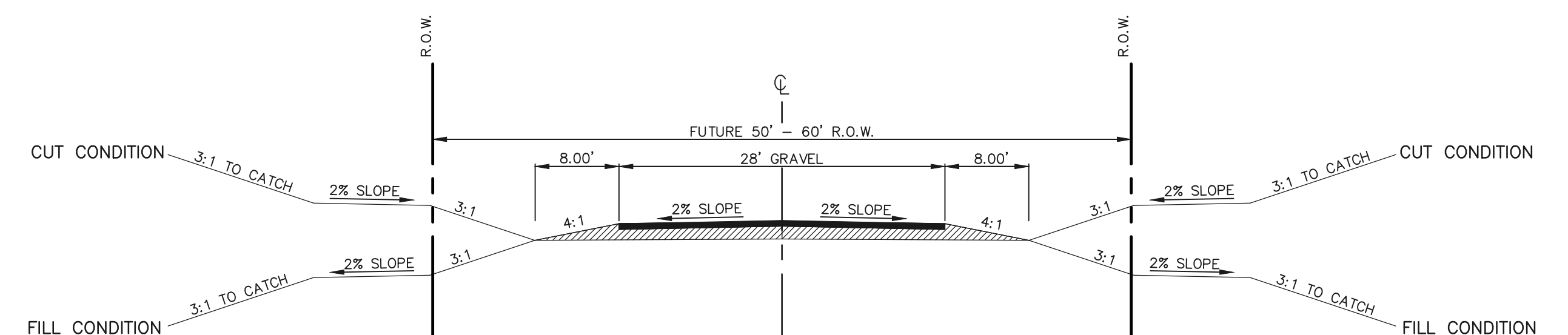
"T" LOTS OR "TRANSITION" LOTS OCCUR IN PLACES WHERE BOTH PROPERTY LINES CANNOT BE GRADED AS THE TYPICAL STANDARD LOT TEMPLATES SHOWN. THESE LOTS WILL STILL BE GRADED TO CREATE POSITIVE DRAINAGE AWAY FROM THE STRUCTURE.

SIDE LOT SWALES ARE REQUIRED ON THE DOWNHILL LOTS, EITHER BY BUILDER OR GRADING CONTRACTOR.



60' R.O.W. TYPICAL RURAL LOCAL CROSS SECTION
SCALE: 1" = 10'

SIGN PLACEMENT PER 2009 MUTCD FIG. 2A-2 A AND LOCATED 8' BEHIND GRAVEL SHOULDER

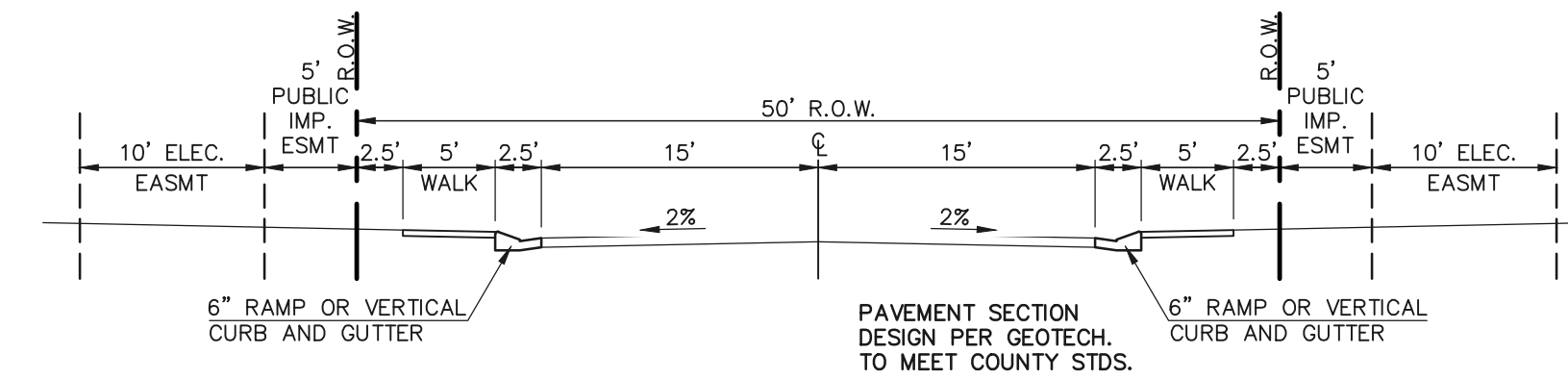


FUTURE R.O.W. TYPICAL SECONDARY ACCESS ROAD
SCALE: 1" = 10'

SECONDARY EMERGENCY ACCESS UP TO ARROYA LANE

SIGN PLACEMENT PER 2009 MUTCD FIG. 2A-2 A AND LOCATED 8' BEHIND GRAVEL SHOULDER

NO ADDITIONAL IMPROVEMENTS REQUIRED AT THIS TIME ON THE EXISTING ARROYA LANE AS IT CURRENTLY FUNCTIONS AS A VIABLE EMERGENCY ACCESS DRIVE PER BLACK FOREST FIRE DISTRICT.
FUTURE PLANTING ADJACENT TO ARROYA LANE WILL REQUIRE ADDITIONAL IMPROVEMENTS TO THIS ROADWAY.



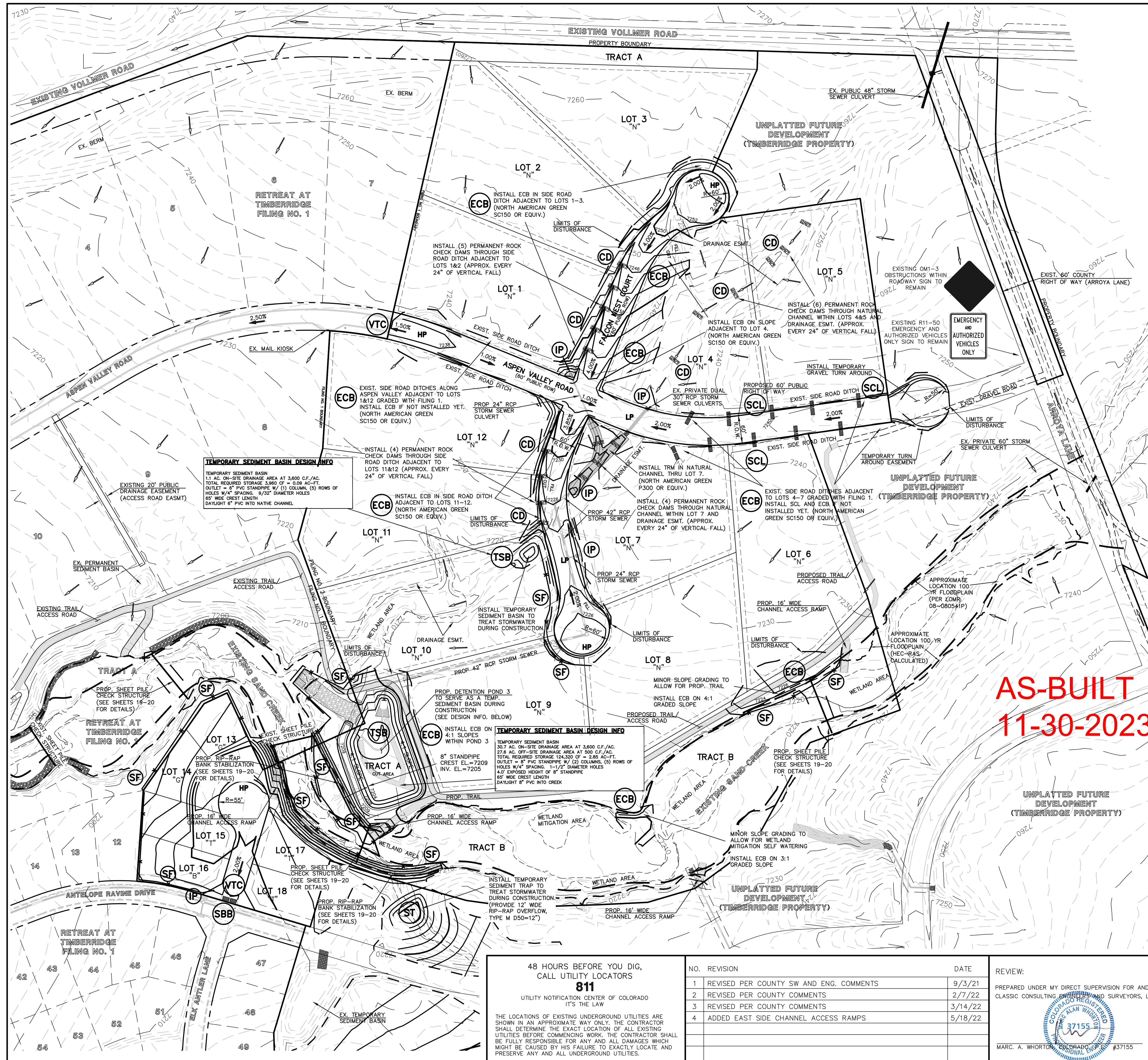
50' R.O.W. TYPICAL URBAN LOCAL CROSS SECTION
SCALE: 1" = 10'

-BISON VALLEY TRAIL, ELK ANTLER LANE AND OWL PERCH LOOP

AS-BUILT
11-30-2023

EPC 6/24/22

<p>48 HOURS BEFORE YOU DIG, CALL UTILITY LOCATORS</p> <p>811</p> <p>UTILITY NOTIFICATION CENTER OF COLORADO IT'S THE LAW</p> <p>THE LOCATIONS OF EXISTING UNDERGROUND UTILITIES ARE SHOWN IN AN APPROXIMATE WAY ONLY. THE CONTRACTOR SHALL DETERMINE THE EXACT LOCATION OF ALL EXISTING UTILITIES BEFORE COMMENCING WORK. THE CONTRACTOR SHALL BE FULLY RESPONSIBLE FOR ANY AND ALL DAMAGES WHICH MIGHT BE CAUSED BY HIS FAILURE TO EXACTLY LOCATE AND PRESERVE ANY AND ALL UNDERGROUND UTILITIES.</p>	<p>NO. REVISION</p> <p>1 REVISED PER COUNTY COMMENTS</p>	<p>DATE</p> <p>2/7/22</p>	<p>REVIEW:</p> <p>PREPARED UNDER MY DIRECT SUPERVISION FOR AND ON BEHALF OF CLASSIC CONSULTING ENGINEERS AND SURVEYORS, LLC</p> <p>MARC A. WHORTON, COLORADO REGISTERED PROFESSIONAL ENGINEER #37155</p> <p>3/23/2022 DATE</p>	<p>RETREAT AT TIMBERRIDGE FILING NO. 2 CONSTRUCTION DRAWINGS STREET SECTIONS / EROSION CONTROL NOTES</p> <p>DESIGNED BY PRA SCALE DATE 02-25-21 DRAWN BY PRA (H) 1"= N/A SHEET 2 OF 24 CHECKED BY (V) 1"= N/A JOB NO. 1185.20</p>	<p>CLASSIC CONSULTING</p> <p>619 N. Cascade Avenue, Suite 200 Colorado Springs, Colorado 80903</p> <p>(719) 785-0790 (719) 785-0799 (Fax)</p>
	<p>CLASSIC CONSULTING</p>				



LEGEND

LIMITS OF CONST./DISTURBANCE		EROSION CONTROL BLANKET	
WETLAND DELINEATION LINE		TEMPORARY SEDIMENT BASIN	
PROPOSED CONTOUR-10		EXIST. DIRECTION OF FLOW	
PROPOSED CONTOUR-2		DIRECTION OF FLOW	
EXISTING CONTOUR-10		HIGH POINT	
EXISTING CONTOUR-2		LOW POINT	
CUT/FILL LINE		MODIFIED A LOT	(MODIFIED A)
SILT FENCE		A LOT	(A)
SILT FENCE		B LOT	(B)
ROCK CHECK DAM		WALKOUT LOT	(W/O)
VEHICLE TRACKING CONTROL		NATURAL LOT	(N)
SEDIMENT CONTROL LOG		TRANSITION LOT	(T)
INLET PROTECTION		GARDEN LOT	(G)
SEDIMENT TRAP		EROSION CONTROL BLANKET (NORTH AMERICAN GREEN - SC150 OR EQUIV.) TO BE INSTALLED ON ALL 3:1 SLOPES OR GREATER	

SEEDING/MULCHING NOTE:
SEEDING AND MULCHING SHALL BE INSTALLED INSIDE ENTIRE LIMITS OF GRADING EXCLUDING ROADWAY SURFACES, SIDEWALK AREAS AND RIP-RAP AREAS.

NOTE:
NO BATCH PLANTS ARE PROPOSED ON-SITE.
INSTALL VTC, CONSTRUCTION FENCING, BARRICADES AND SIGNAGE AS APPROPRIATE AT ACCESS POINT.

EXISTING VEGETATION:
THE MAJORITY OF THE SITE IS COVERED WITH NATIVE GRASSES, YUCCA AND SPARSE PINE TREES.

BMP PHASING

	(INSTALLED PRIOR TO INITIAL PHASE WITH CONTINUED MAINTENANCE DURING INTERIM AND VERTICAL PHASES)
	(INSTALLED PRIOR TO INITIAL PHASE WITH CONTINUED MAINTENANCE THROUGH INTERIM AND VERTICAL PHASES)
	(INSTALLED DURING INITIAL PHASE WITH CONTINUED MAINTENANCE THROUGH INTERIM AND VERTICAL PHASES)
	(INSTALLED DURING INTERIM PHASE WITH CONTINUED MAINTENANCE THROUGH VERTICAL PHASE)
	(INSTALLED DURING INTERIM PHASE WITH CONTINUED MAINTENANCE THROUGH VERTICAL PHASE)
	(INSTALLED DURING INTERIM PHASE WITH CONTINUED MAINTENANCE THROUGH VERTICAL PHASE)
	(INSTALLED DURING INITIAL PHASE WITH CONTINUED MAINTENANCE THROUGH INTERIM PHASE. CONVERSION TO PERMANENT EDB DURING VERTICAL PHASE)
	(INSTALLED DURING INITIAL PHASE WITH CONTINUED MAINTENANCE THROUGH VERTICAL PHASE.)

SCALE: 1" = 100'
EPC 6/24/22

**AS-BUILT
11-30-2023**

<p>48 HOURS BEFORE YOU DIG, CALL UTILITY LOCATORS 811 UTILITY NOTIFICATION CENTER OF COLORADO IT'S THE LAW</p> <p>THE LOCATIONS OF EXISTING UNDERGROUND UTILITIES ARE SHOWN IN AN APPROXIMATE WAY ONLY. THE CONTRACTOR SHALL DETERMINE THE EXACT LOCATION OF ALL EXISTING UTILITIES BEFORE COMMENCING WORK. THE CONTRACTOR SHALL BE FULLY RESPONSIBLE FOR ANY AND ALL DAMAGES WHICH MIGHT BE CAUSED BY HIS FAILURE TO EXACTLY LOCATE AND PRESERVE ANY AND ALL UNDERGROUND UTILITIES.</p>		<table border="1"> <thead> <tr> <th>NO.</th> <th>REVISION</th> <th>DATE</th> </tr> </thead> <tbody> <tr> <td>1</td> <td>REVISED PER COUNTY SW AND ENG. COMMENTS</td> <td>9/3/21</td> </tr> <tr> <td>2</td> <td>REVISED PER COUNTY COMMENTS</td> <td>2/7/22</td> </tr> <tr> <td>3</td> <td>REVISED PER COUNTY COMMENTS</td> <td>3/14/22</td> </tr> <tr> <td>4</td> <td>ADDED EAST SIDE CHANNEL ACCESS RAMPS</td> <td>5/18/22</td> </tr> </tbody> </table>	NO.	REVISION	DATE	1	REVISED PER COUNTY SW AND ENG. COMMENTS	9/3/21	2	REVISED PER COUNTY COMMENTS	2/7/22	3	REVISED PER COUNTY COMMENTS	3/14/22	4	ADDED EAST SIDE CHANNEL ACCESS RAMPS	5/18/22
NO.	REVISION	DATE															
1	REVISED PER COUNTY SW AND ENG. COMMENTS	9/3/21															
2	REVISED PER COUNTY COMMENTS	2/7/22															
3	REVISED PER COUNTY COMMENTS	3/14/22															
4	ADDED EAST SIDE CHANNEL ACCESS RAMPS	5/18/22															
<p>REVIEW: PREPARED UNDER MY DIRECT SUPERVISION FOR AND ON BEHALF OF CLASSIC CONSULTING ENGINEERS AND SURVEYORS, LLC</p> <p>MARC A. WHORTON, COLORADO REGISTERED PROFESSIONAL ENGINEER #37155</p>		<p>5/19/2022</p> <p>DATE</p>															

CLASSIC CONSULTING

RETREAT AT TIMBERRIDGE FILING NO. 2
CONSTRUCTION PLANS
GRADING & EROSION CONTROL PLAN

DESIGNED BY	PRA	SCALE	DATE	02-25-21
DRAWN BY	PRA	(H) 1" = 100'	SHEET	3 OF 24
CHECKED BY	(V) 1" = N/A	JOB NO.	1185.20	

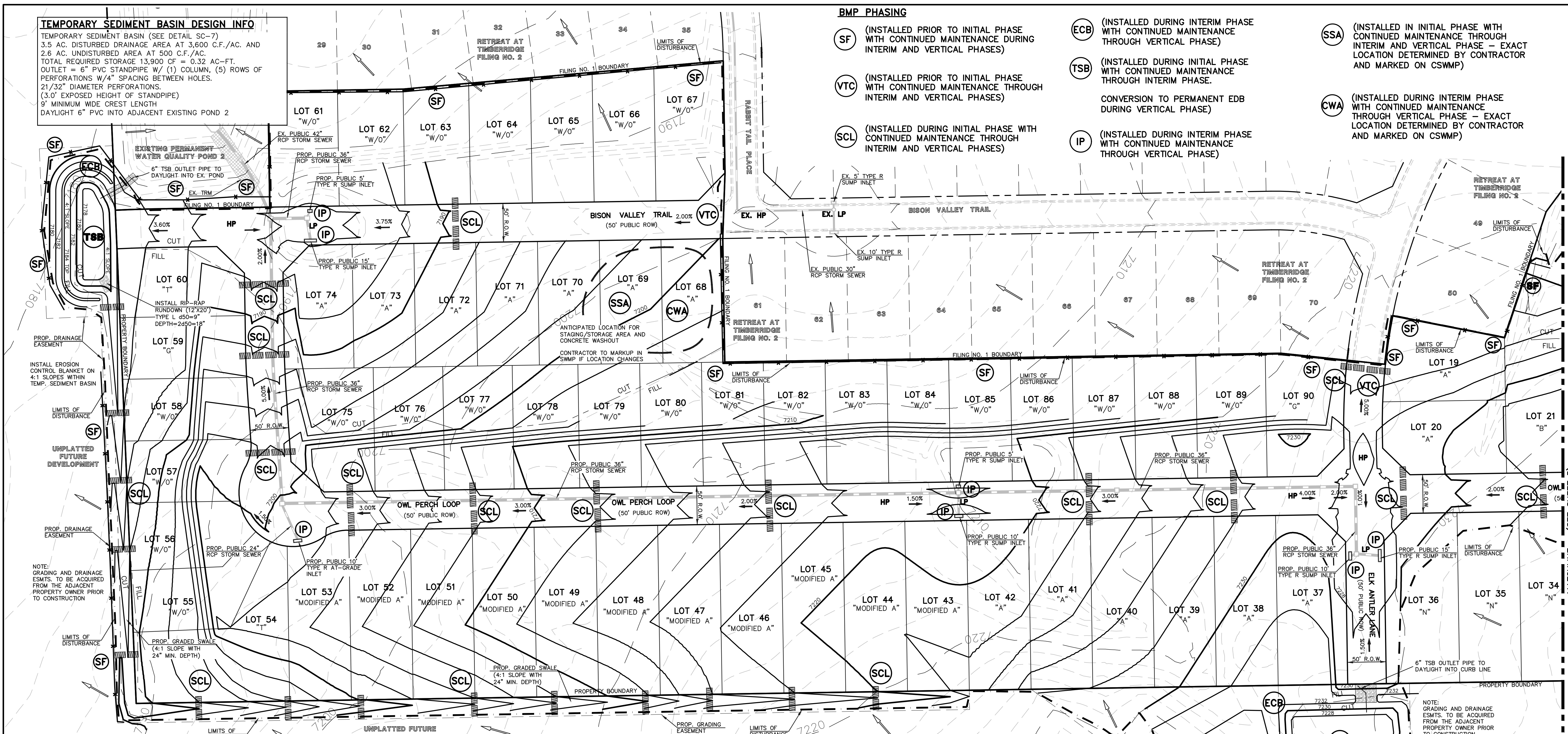
N:\18520\DRAWINGS\CONSTRUCTION\03-18520-GP-02.dwg, 5/19/2022, 8:02:51 AM, 1:1

TEMPORARY SEDIMENT BASIN DESIGN INFO

TEMPORARY SEDIMENT BASIN (SEE DETAIL SC-7)
 3.5 AC. DISTURBED DRAINAGE AREA AT 3,600 C.F./AC. AND
 2.6 AC. UNDISTURBED AREA AT 500 C.F./AC.
 TOTAL REQUIRED STORAGE 13,900 CF = 0.32 AC-F.T.
 OUTLET = 6" PVC STANDPIPE W/ (1) COLUMN, (5) ROWS OF
 PERFORATIONS W/4" SPACING BETWEEN HOLES.
 21/32" DIAMETER PERFORATIONS.
 (3.0' EXPOSED HEIGHT OF STANDPIPE)
 9' MINIMUM WIDE CREST LENGTH
 DAYLIGHT 6" PVC INTO ADJACENT EXISTING POND 2

BMP PHASING

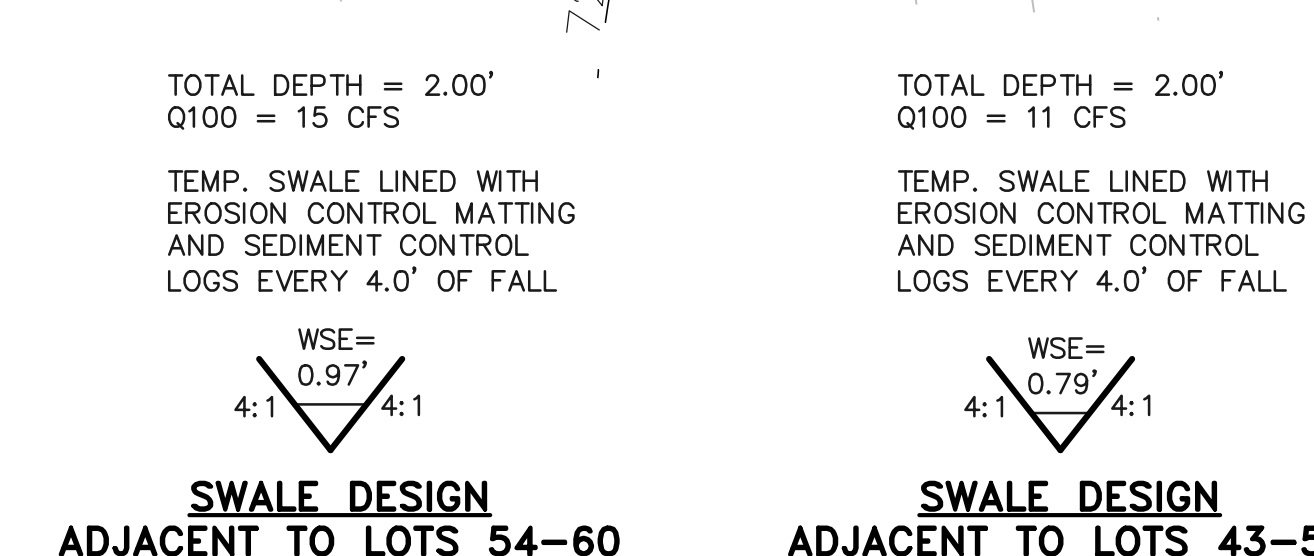
- (SF) (INSTALLED PRIOR TO INITIAL PHASE WITH CONTINUED MAINTENANCE DURING INTERIM AND VERTICAL PHASES)
- (VTC) (INSTALLED PRIOR TO INITIAL PHASE WITH CONTINUED MAINTENANCE THROUGH INTERIM AND VERTICAL PHASES)
- (SCL) (INSTALLED DURING INITIAL PHASE WITH CONTINUED MAINTENANCE THROUGH INTERIM AND VERTICAL PHASES)
- (ECB) (INSTALLED DURING INTERIM PHASE WITH CONTINUED MAINTENANCE THROUGH VERTICAL PHASE)
- (TSB) (INSTALLED DURING INITIAL PHASE WITH CONTINUED MAINTENANCE THROUGH INTERIM PHASE. CONVERSION TO PERMANENT EDB DURING VERTICAL PHASE)
- (IP) (INSTALLED DURING INTERIM PHASE WITH CONTINUED MAINTENANCE THROUGH VERTICAL PHASE)
- (SSA) (INSTALLED IN INITIAL PHASE WITH CONTINUED MAINTENANCE THROUGH INTERIM AND VERTICAL PHASE - EXACT LOCATION DETERMINED BY CONTRACTOR AND MARKED ON CSWMP)
- (CWA) (INSTALLED DURING INTERIM PHASE WITH CONTINUED MAINTENANCE THROUGH VERTICAL PHASE - EXACT LOCATION DETERMINED BY CONTRACTOR AND MARKED ON CSWMP)



TEMPORARY SEDIMENT BASIN DESIGN INFO
 TEMPORARY SEDIMENT BASIN (SEE DETAIL SC-7)
 13.7 AC. DRAINAGE AREA AT 3,600 C.F./AC.
 TOTAL REQUIRED STORAGE 49,320 CF = 1.13 AC-F.T.
 APPROX. DIMENSIONS WIDTH = 100', LENGTH = 120', DEPTH = 5.0'
 OUTLET = 6" PVC STANDPIPE W/ (1) COLUMN, (5) ROWS OF
 PERFORATIONS W/4" SPACING BETWEEN HOLES.
 1-1/8" DIAMETER PERFORATIONS.
 (3.0' EXPOSED HEIGHT OF STANDPIPE)
 21' MINIMUM WIDE CREST LENGTH
 DAYLIGHT 6" PVC INTO CURB LINE

LEGEND

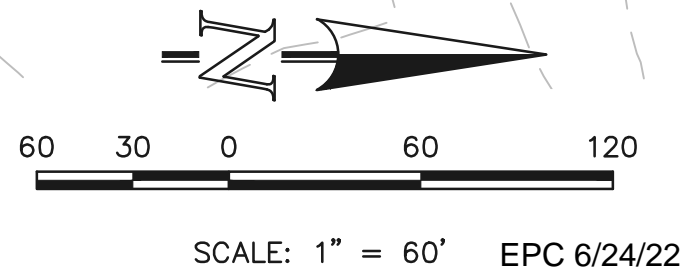
LIMITS OF CONSTRUCTION/DISTURBANCE	INLET PROTECTION	(IP)
PROPOSED CONTOUR-10	TEMPORARY SEDIMENT BASIN	(TSB)
PROPOSED CONTOUR-2	EXIST. DIRECTION OF FLOW	→
EXISTING CONTOUR-10	DIRECTION OF FLOW	→
EXISTING CONTOUR-2	HIGH POINT	H.P.
CUT/FILL LINE	LOW POINT	L.P.
SILT FENCE	MODIFIED A LOT (MODIFIED A)	(A)
SILT FENCE	A LOT	(A)
EROSION CONTROL BLANKET	B LOT	(B)
VEHICLE TRACKING CONTROL	WALKOUT LOT (W/O)	(W/O)
SEDIMENT CONTROL LOGS	NATURAL LOT (N)	(N)
	TRANSITION LOT (T)	(T)
	GARDEN LOT (G)	(G)
	EROSION CONTROL BLANKET (NORTH AMERICAN GREEN - SC150 OR EQUIVALENT) TO BE INSTALLED ON ALL 3:1 SLOPES OR GREATER	



EXISTING VEGETATION: THE MAJORITY OF THE SITE IS COVERED WITH NATIVE GRASSES, YUCCA AND SPARSE PINE TREES.

NOTE: NO BATCH PLANTS ARE PROPOSED ON-SITE.

AS-BUILT
11-30-2023



48 HOURS BEFORE YOU DIG,
 CALL UTILITY LOCATORS
811
 UTILITY NOTIFICATION CENTER OF COLORADO
 IT'S THE LAW

THE LOCATIONS OF EXISTING UNDERGROUND UTILITIES ARE SHOWN IN AN APPROXIMATE WAY ONLY. THE CONTRACTOR SHALL DETERMINE THE EXACT LOCATION OF ALL EXISTING UTILITIES BEFORE COMMENCING WORK. THE CONTRACTOR SHALL BE FULLY RESPONSIBLE FOR ANY AND ALL DAMAGES WHICH MIGHT BE CAUSED BY HIS FAILURE TO EXACTLY LOCATE AND PRESERVE ANY AND ALL UNDERGROUND UTILITIES.

NO.	REVISION	DATE
1	REVISED PER COUNTY SW AND ENG. COMMENTS	9/2/21
2	REVISED PER COUNTY COMMENTS	2/7/22
3	REVISED PER COUNTY COMMENTS	3/14/22

REVIEW:

PREPARED UNDER MY DIRECT SUPERVISION FOR AND ON BEHALF OF CLASSIC CONSULTING ENGINEERS AND SURVEYORS, LLC

MARC A. WHORTON, COLORADO REGISTERED PROFESSIONAL ENGINEER #37155

3/23/2022



RETREAT AT TIMBERIDGE FILING NO. 2
 CONSTRUCTION PLANS
 GRADING & EROSION CONTROL PLAN

DESIGNED BY	PRA	SCALE	DATE	02-25-21
DRAWN BY	PRA	(H) 1" = 60'	SHEET	4 OF 24
CHECKED BY	(V) 1" = N/A	JOB NO.	1185.20	

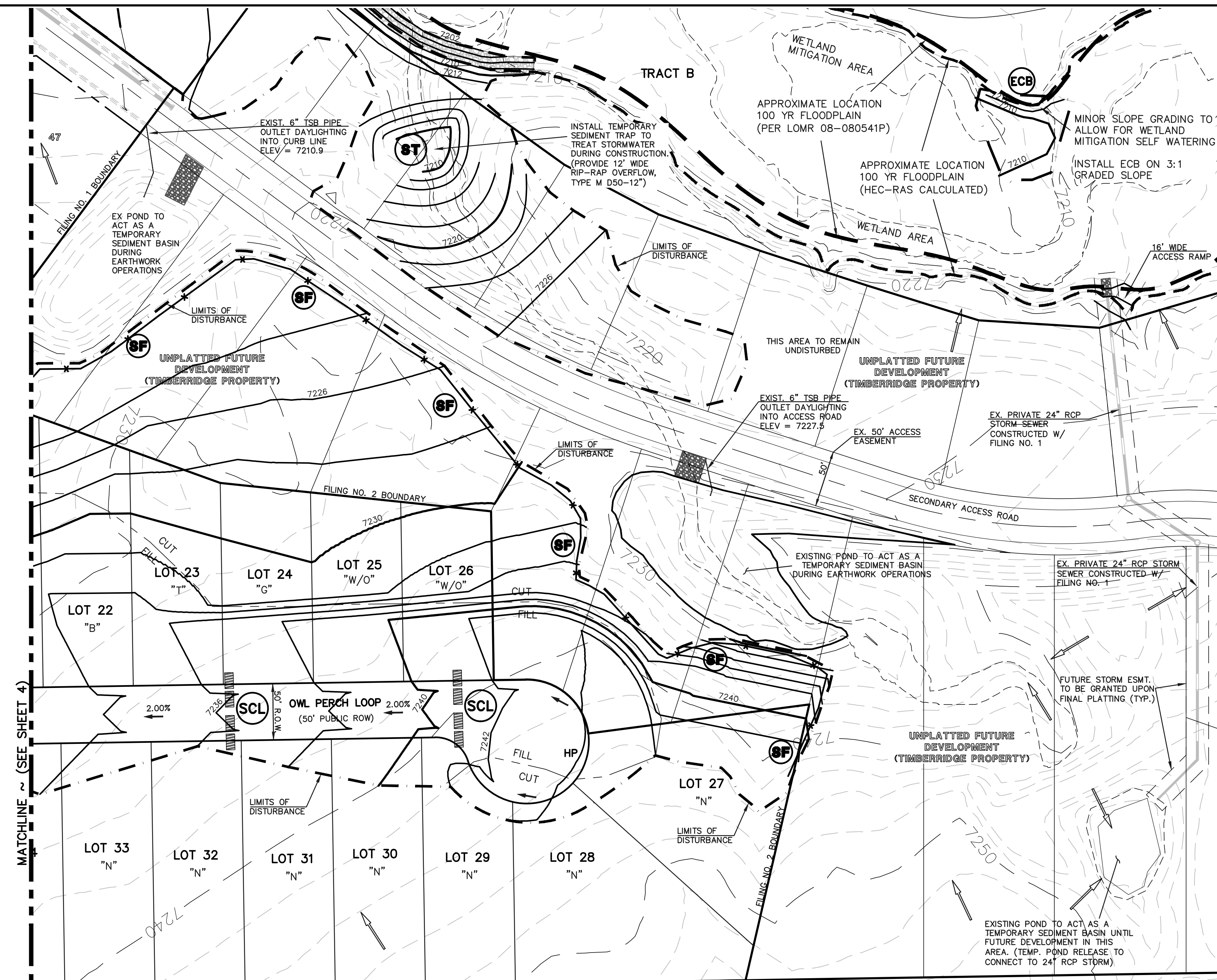
N:\118520\DRAWINGS\CONSTRUCTION\04-118520-GR-03.dwg, 3/14/2022, 9:11:57 AM, 1:1

BMP PHASING

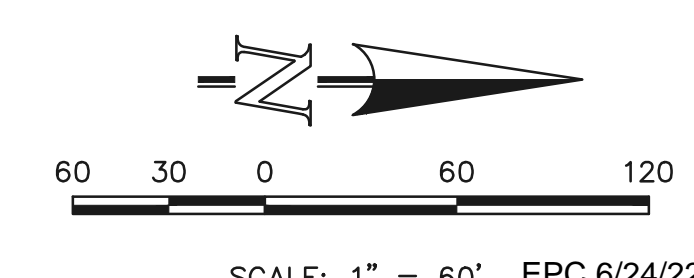
- SILT FENCE OR COMPACT BERM — x — (SF) (INSTALLED PRIOR TO INITIAL PHASE WITH CONTINUED MAINTENANCE DURING INTERIM AND VERTICAL PHASES)
- VEHICLE TRACKING CONTROL (VTC) (INSTALLED PRIOR TO INITIAL PHASE WITH CONTINUED MAINTENANCE THROUGH INTERIM AND VERTICAL PHASES)
- ROCK CHECK DAM (CD) (INSTALLED DURING INITIAL PHASE WITH CONTINUED MAINTENANCE THROUGH INTERIM AND VERTICAL PHASES)
- STABILIZED STORAGE AREA (SSA) (INSTALLED IN INITIAL PHASE WITH CONTINUED MAINTENANCE THROUGH INTERIM AND VERTICAL PHASE — EXACT LOCATION DETERMINED BY CONTRACTOR AND MARKED ON CSWMP)
- INLET PROTECTION (IP) (INSTALLED DURING INTERIM PHASE WITH CONTINUED MAINTENANCE THROUGH VERTICAL PHASE)
- EROSION CONTROL BLANKET (ECB) (INSTALLED DURING INTERIM PHASE WITH CONTINUED MAINTENANCE THROUGH VERTICAL PHASE)
- TEMPORARY SEDIMENT BASIN (TSB-1) (INITIAL AND INTERIM PHASE WITH CONVERSION TO PERMANENT EDB DURING INTERIM PHASE)
- CONCRETE WASHOUT AREA (CWA) (INSTALLED DURING INTERIM PHASE WITH CONTINUED MAINTENANCE THROUGH VERTICAL PHASE — EXACT LOCATION DETERMINED BY CONTRACTOR AND MARKED ON CSWMP)
- SEDIMENT TRAP (ST) (INSTALLED DURING INTERIM PHASE WITH CONTINUED MAINTENANCE THROUGH VERTICAL PHASE)

LEGEND

- LIMITS OF CONST./DISTURBANCE (---)
- CUT/FILL LINE (---)
- PROPOSED CONTOUR-10 (---)
- PROPOSED CONTOUR-2 (---)
- EXISTING CONTOUR-10 (---)
- EXISTING CONTOUR-2 (---)
- CUT/FILL LINE (---)
- SILT FENCE (--- x ---)
- SILT FENCE (SF)
- SEEDING/MULCHING (SM)
- ROCK CHECK DAM (CD)
- VEHICLE TRACKING CONTROL (VTC)
- SEDIMENT CONTROL LOGS (SCL)
- INLET PROTECTION (IP)
- SEDIMENT TRAP (ST)
- EROSION CONTROL BLANKET (ECB)
- TURF REINFORCEMENT MAT (TRM)
- TEMPORARY SEDIMENT BASIN (TSB)
- EXIST. DIRECTION OF FLOW (---)
- DIRECTION OF FLOW (---)
- HIGH POINT (H.P.)
- LOW POINT (L.P.)
- MODIFIED A LOT (MODIFIED A)
- A LOT (A)
- B LOT (B)
- WALKOUT LOT (W/O)
- NATURAL LOT (N)
- TRANSITION LOT (T)
- GARDEN LOT (G)
- EROSION CONTROL BLANKET (NORTH AMERICAN GREEN - SC150 OR EQUIVALENT) TO BE INSTALLED ON ALL 3:1 SLOPES OR GREATER
- SEEDING/MULCHING NOTE: SEEDING AND MULCHING SHALL BE INSTALLED INSIDE ENTIRE LIMITS OF GRADING EXCLUDING ROADWAY SURFACES, SIDEWALK AREAS AND RIP-RAP AREAS.



**AS-BUILT
11-30-2023**



48 HOURS BEFORE YOU DIG,
CALL UTILITY LOCATORS
811
UTILITY NOTIFICATION CENTER OF COLORADO
IT'S THE LAW

THE LOCATIONS OF EXISTING UNDERGROUND UTILITIES ARE SHOWN IN AN APPROXIMATE WAY ONLY. THE CONTRACTOR SHALL DETERMINE THE EXACT LOCATION OF ALL EXISTING UTILITIES BEFORE COMMENCING WORK. THE CONTRACTOR SHALL BE FULLY RESPONSIBLE FOR ANY AND ALL DAMAGES WHICH MIGHT BE CAUSED BY HIS FAILURE TO EXACTLY LOCATE AND PRESERVE ANY AND ALL UNDERGROUND UTILITIES.

NO.	REVISION	DATE
1	REVISED PER COUNTY SW AND ENG. COMMENTS	9/3/21
2	REVISED PER COUNTY COMMENTS	2/7/22
3	REVISED PER COUNTY COMMENTS	3/15/22
4	ADDED EAST SIDE CHANNEL ACCESS RAMPS	5/18/22

REVIEW:
PREPARED UNDER MY DIRECT SUPERVISION FOR AND ON BEHALF OF CLASSIC CONSULTING ENGINEERING SURVEYORS, LLC

MARC A. WHORTON, P.E., #37155
DATE: 5/19/2022

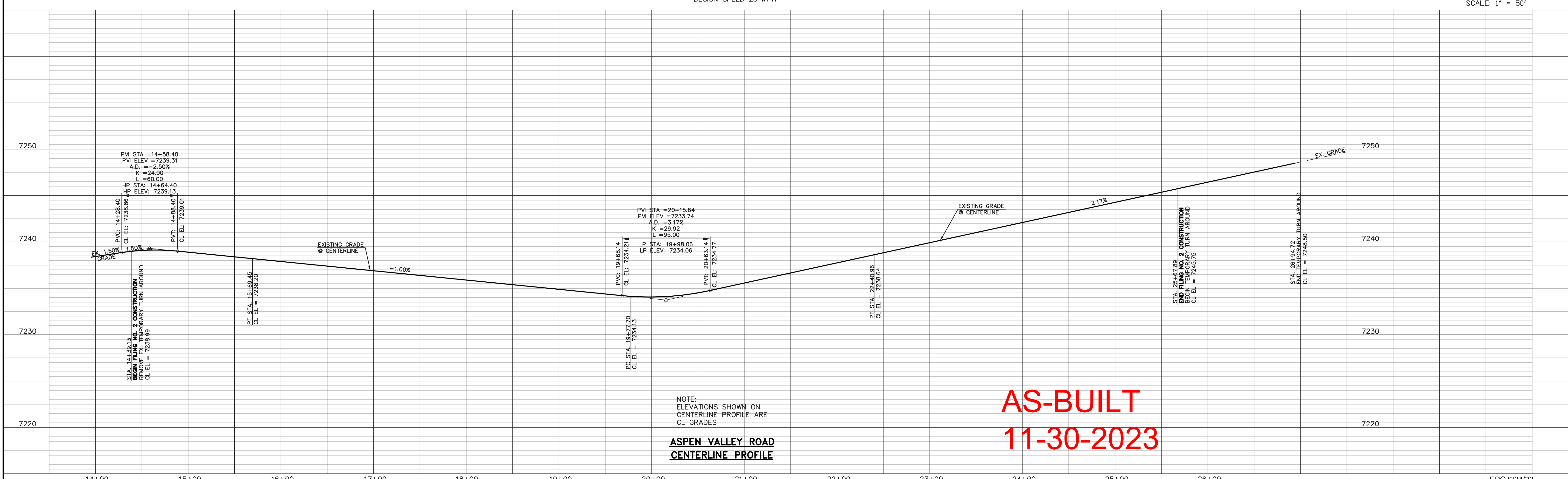
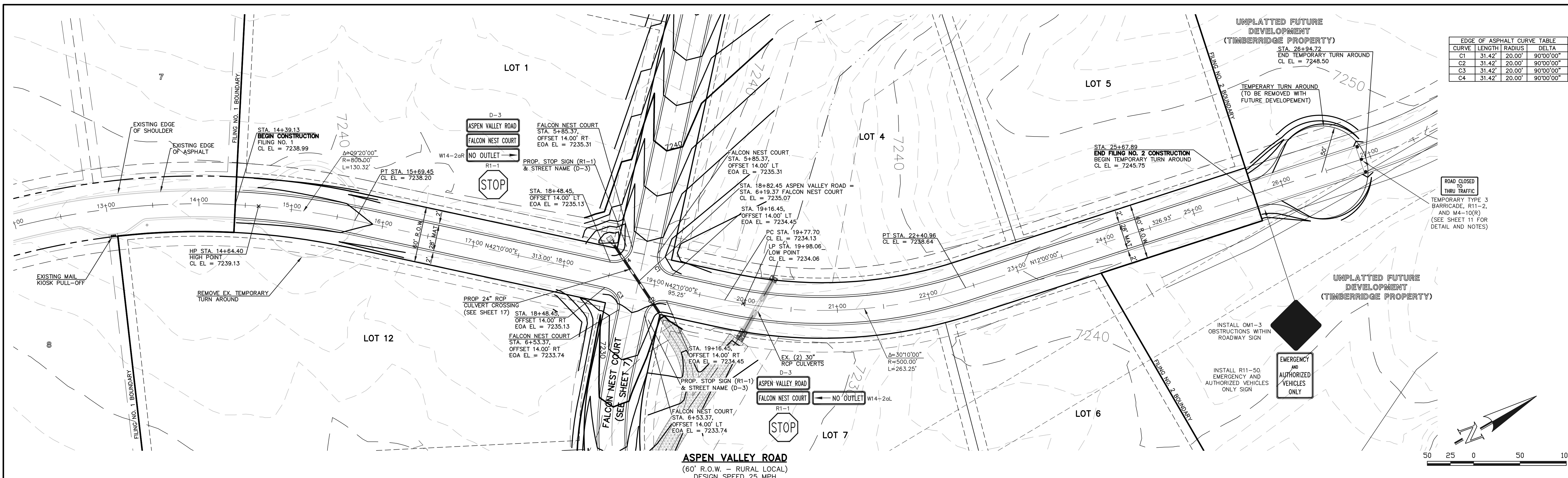
CLASSIC CONSULTING
619 N. Cascade Avenue, Suite 200
Colorado Springs, Colorado 80903
(719) 785-0790
(719) 785-0799 (Fax)

RETREAT AT TIMBERRIDGE FILING NO. 2
CONSTRUCTION PLANS
GRADING & EROSION CONTROL PLAN

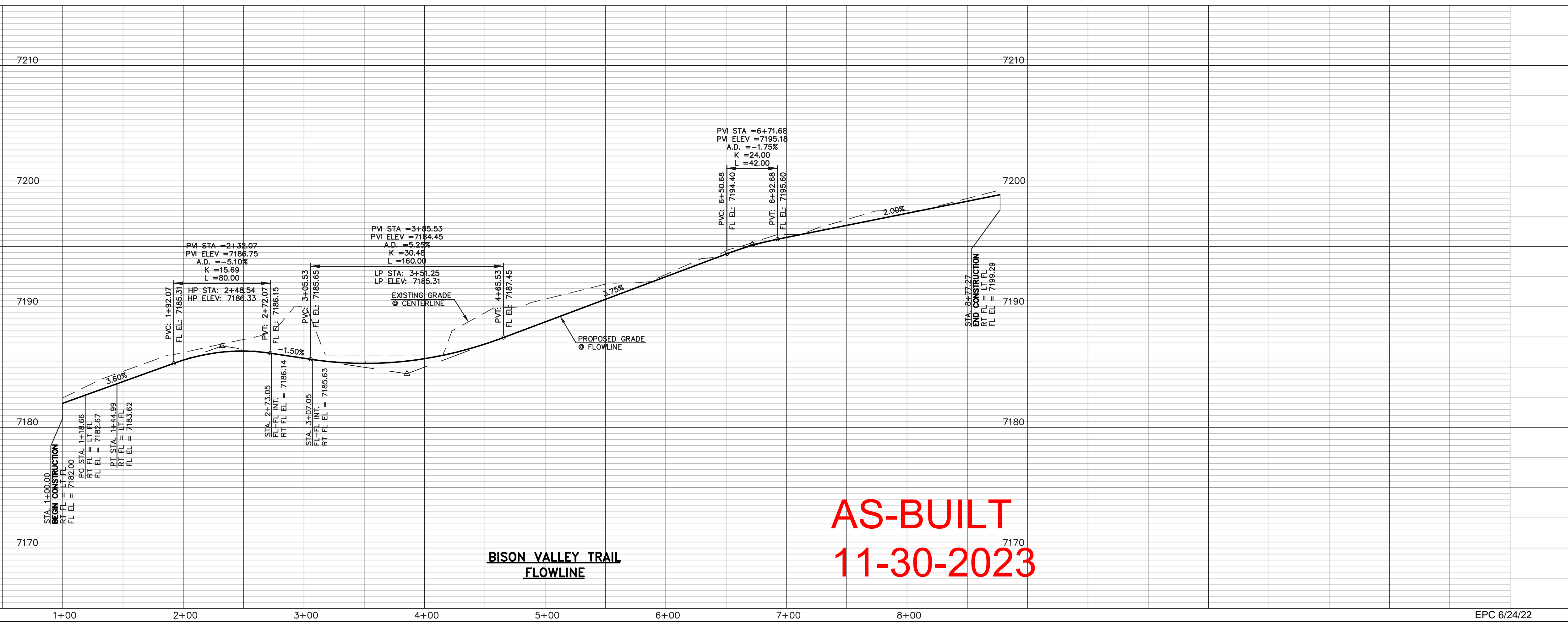
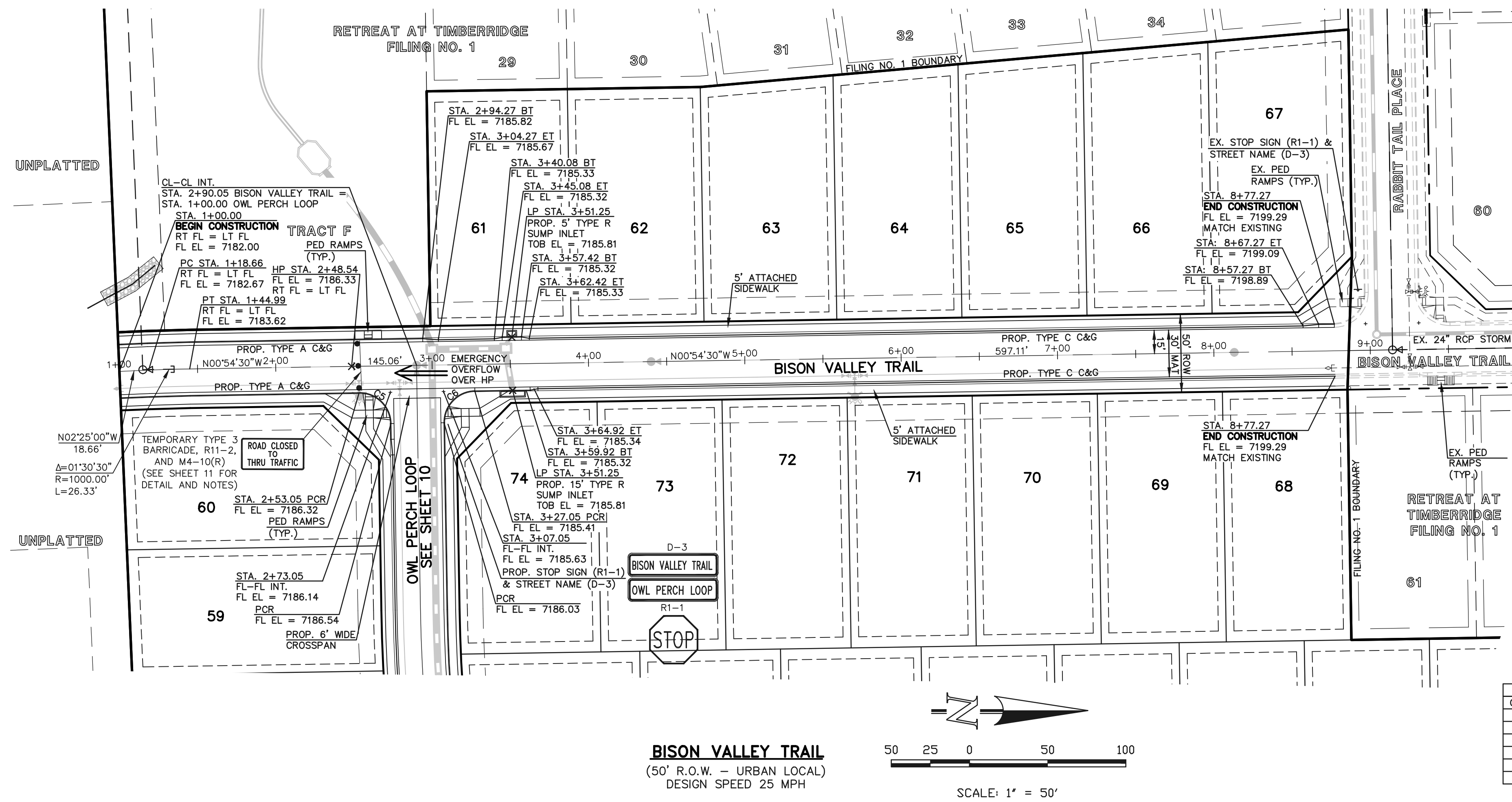
DESIGNED BY	PRA	SCALE	DATE	02-25-21
DRAWN BY	PRA	(H) 1"= 60'	SHEET	5 OF 24
CHECKED BY	(V) 1"= N/A	JOB NO.	1185.20	



N:\118520\DRAWINGS\CONSTRUCTION\05-118520-GS-04.dwg, 5/19/2022, 8:09:23 AM, 1:1



<p>48 HOURS BEFORE YOU DIG, CALL UTILITY LOCATORS</p> <p>811</p> <p>UTILITY NOTIFICATION CENTER OF COLORADO IT'S THE LAW</p> <p>THE LOCATIONS OF EXISTING UNDERGROUND UTILITIES ARE SHOWN IN AN APPROXIMATE WAY ONLY. THE CONTRACTOR SHALL DETERMINE THE EXACT LOCATION OF ALL EXISTING UTILITIES BEFORE COMMENCING WORK. THE CONTRACTOR SHALL BE FULLY RESPONSIBLE FOR ANY AND ALL DAMAGES WHICH MIGHT BE CAUSED BY HIS FAILURE TO EXACTLY LOCATE AND PRESERVE ANY AND ALL UNDERGROUND UTILITIES.</p>	<p>NO. REVISION</p> <table border="1"> <tr> <th>NO.</th> <th>REVISION</th> <th>DATE</th> </tr> <tr> <td>1</td> <td>REVISED PER COUNTY COMMENTS</td> <td>09-09-21</td> </tr> <tr> <td>2</td> <td>REVISED PER COUNTY COMMENTS</td> <td>2/4/22</td> </tr> </table>	NO.	REVISION	DATE	1	REVISED PER COUNTY COMMENTS	09-09-21	2	REVISED PER COUNTY COMMENTS	2/4/22	<p>REVIEW:</p> <p>PREPARED UNDER MY DIRECT SUPERVISION FOR AND ON BEHALF OF CLASSIC CONSULTING ENGINEERS AND SURVEYORS, LLC</p> <p>MARC A. WHORTON, COLORADO REGISTERED PROFESSIONAL ENGINEER #37155</p> <p>DATE: 3/23/2022</p>	<p>RETREAT AT TIMBERIDGE FILING NO. 2</p> <p>CONSTRUCTION PLANS</p> <p>STREET IMPROVEMENT PLANS</p> <p>ASPEN VALLEY ROAD</p> <p>DESIGNED BY: PRA SCALE: DATE: 02-25-21</p> <p>DRAWN BY: PRA SCALE: (H) 1" = 50' SHEET 6 OF 24</p> <p>CHECKED BY: (V) 1" = 5' JOB NO. 1185.20</p>
	NO.	REVISION	DATE									
1	REVISED PER COUNTY COMMENTS	09-09-21										
2	REVISED PER COUNTY COMMENTS	2/4/22										
<p>EPC 6/24/22</p>	<p>CLASSIC CONSULTING</p>	<p>CLASSIC CONSULTING</p>	<p>619 N. Cascade Avenue, Suite 200 Colorado Springs, Colorado 80903</p> <p>(719) 785-0790 (719) 785-0799 (Fax)</p>									



48 HOURS BEFORE YOU DIG, CALL UTILITY LOCATORS

811

UTILITY NOTIFICATION CENTER OF COLORADO

IT'S THE LAW

THE LOCATIONS OF EXISTING UNDERGROUND UTILITIES ARE SHOWN IN AN APPROXIMATE WAY ONLY. THE CONTRACTOR SHALL DETERMINE THE EXACT LOCATION OF ALL EXISTING UTILITIES BEFORE COMMENCING WORK. THE CONTRACTOR SHALL BE FULLY RESPONSIBLE FOR ANY AND ALL DAMAGES WHICH MIGHT BE CAUSED BY HIS FAILURE TO EXACTLY LOCATE AND PRESERVE ANY AND ALL UNDERGROUND UTILITIES.

NO.	REVISION	DATE
1	REVISED PER COUNTY COMMENTS	09-10-21
2	REVISED PER COUNTY COMMENTS	2/4/22

REVIEW:

PREPARED UNDER MY DIRECT SUPERVISION FOR AND ON BEHALF OF CLASSIC CONSULTING ENGINEERS, AND SURVEYORS, LLC

MARC A. WHORTON

37155

3/23/2022

DATE

CLASSIC CONSULTING

RETREAT AT TIMBERRIDGE FILING NO. 2

CONSTRUCTION PLANS

STREET IMPROVEMENT PLANS

BISON VALLEY TRAIL

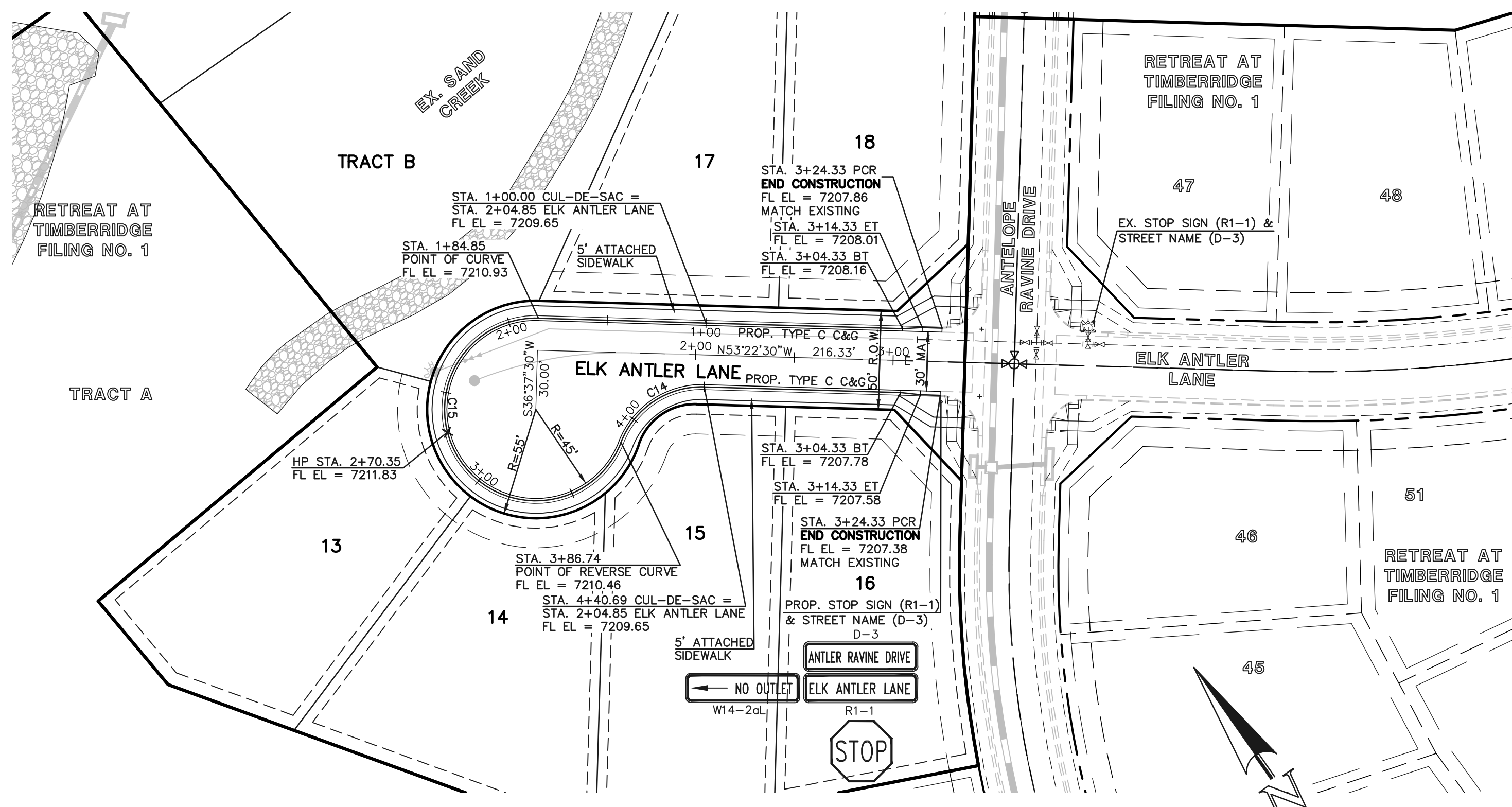
DESIGNED BY	PRA	SCALE	DATE
			02-25-21

DRAWN BY	PRA	(H) 1"= 50'	SHEET 8 OF 24

CHECKED BY	(V) 1"= 5'	JOB NO.
		1185.20

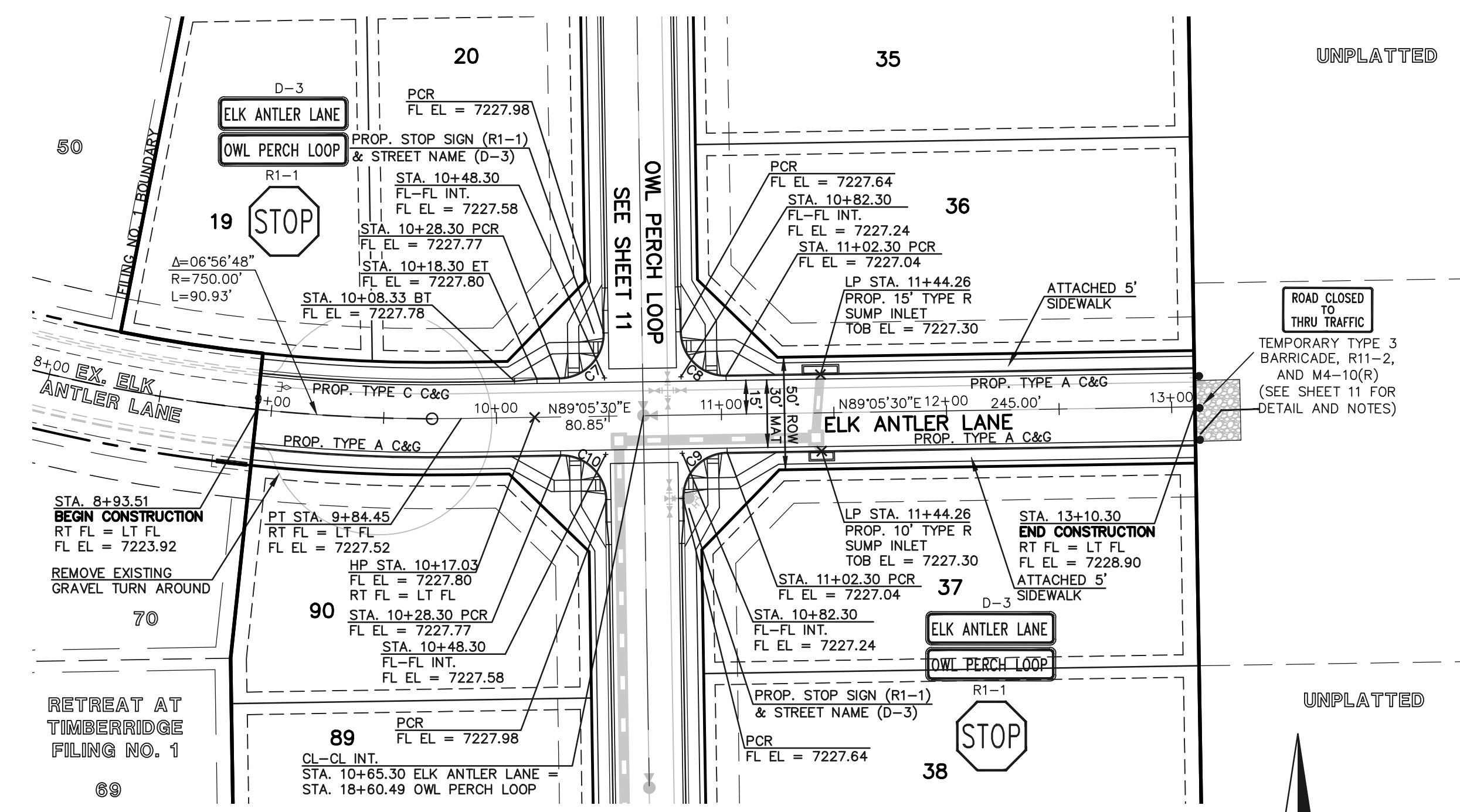
EPC 6/24/22

N:\118520\DRAWINGS\CONSTRUCTION\DR-118520-S-03.dwg - 2/6/2022 2:19:51 PM, 1:1

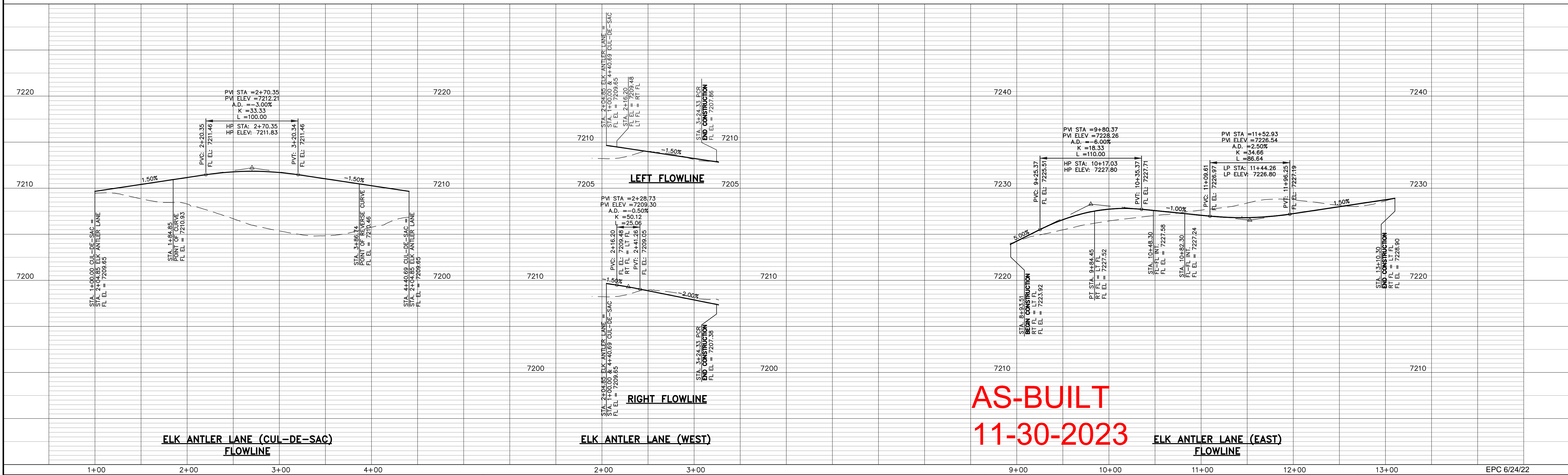


ELK ANTLER LANE (WEST)
 (50' R.O.W. - URBAN LOCAL)
 DESIGN SPEED 25 MPH

CURVE	LENGTH	RADIUS	DELTA
C7	31.42'	20.00'	90°00'00"
C8	31.42'	20.00'	90°00'00"
C9	31.42'	20.00'	90°00'00"
C10	31.42'	20.00'	90°00'00"
C14	53.95'	43.83'	70°31'44"
C15	201.88'	46.17'	250°31'38"

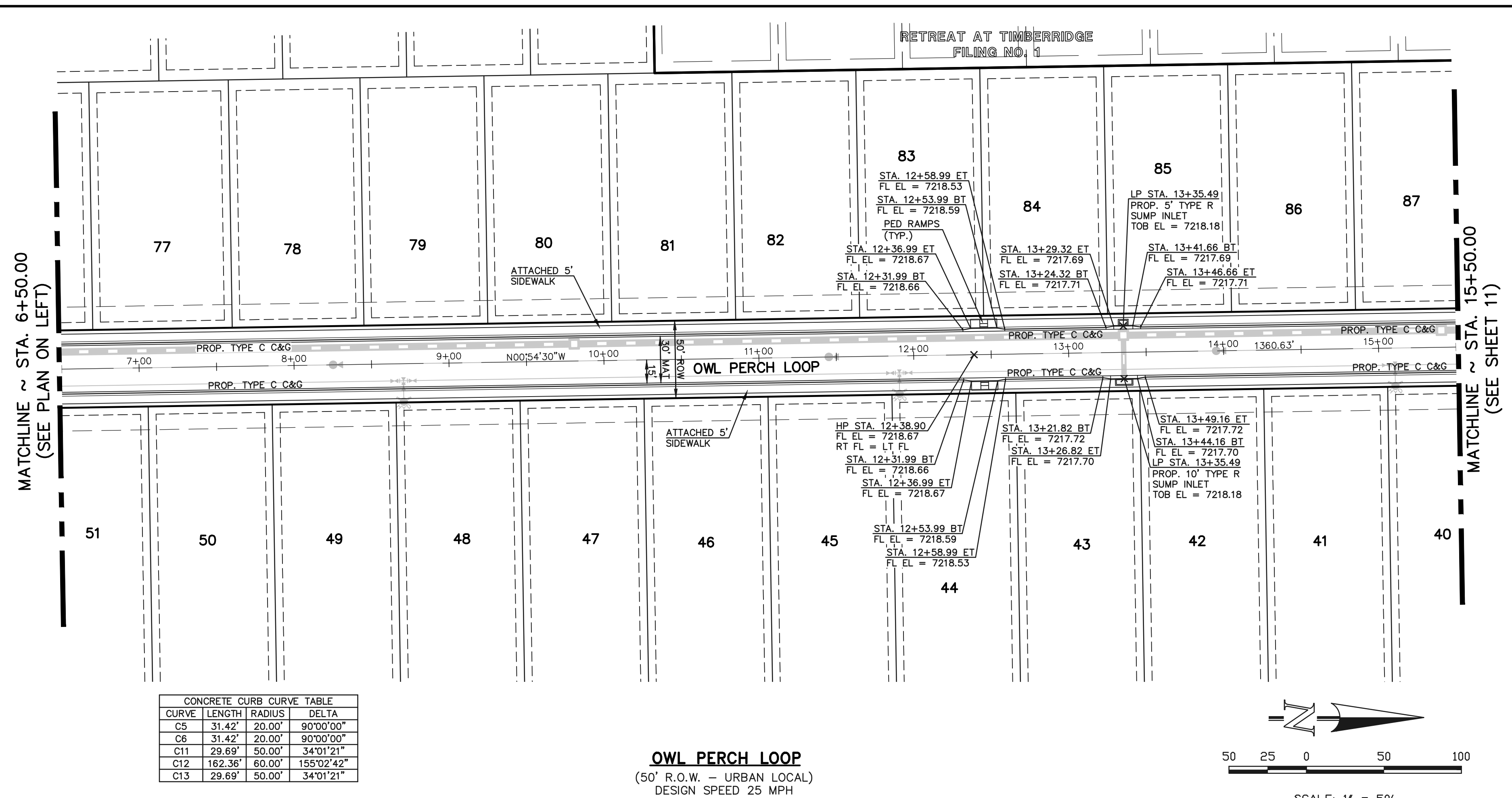
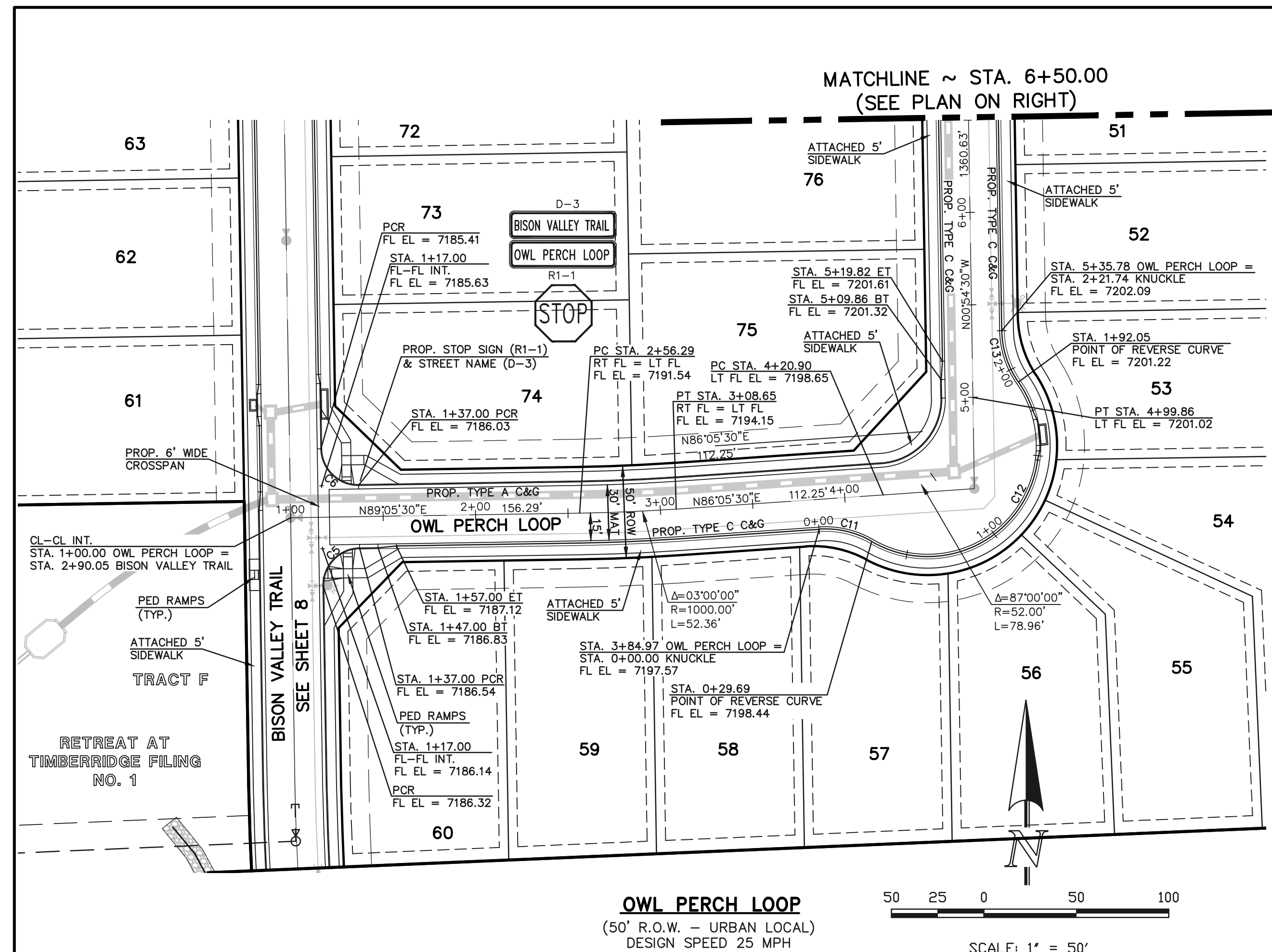


ELK ANTLER LANE (EAST)
 (50' R.O.W. - URBAN LOCAL)
 DESIGN SPEED 25 MPH



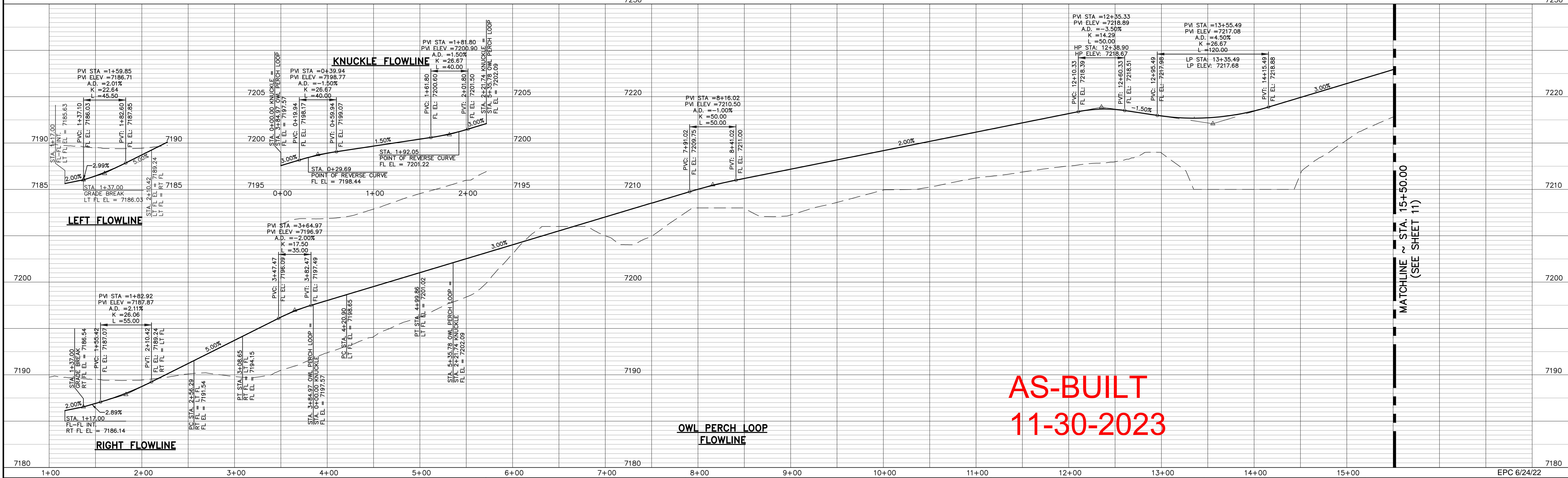
AS-BUILT
11-30-2023

<p>48 HOURS BEFORE YOU DIG, CALL UTILITY LOCATORS</p> <p>811</p> <p>UTILITY NOTIFICATION CENTER OF COLORADO IT'S THE LAW</p> <p>THE LOCATIONS OF EXISTING UNDERGROUND UTILITIES ARE SHOWN IN AN APPROXIMATE WAY ONLY. THE CONTRACTOR SHALL DETERMINE THE EXACT LOCATION OF ALL EXISTING UTILITIES BEFORE COMMENCING WORK. THE CONTRACTOR SHALL BE FULLY RESPONSIBLE FOR ANY AND ALL DAMAGES WHICH MIGHT BE CAUSED BY HIS FAILURE TO EXACTLY LOCATE AND PRESERVE ANY AND ALL UNDERGROUND UTILITIES.</p>	<p>NO. REVISION</p> <p>DATE</p>	<p>REVIEW:</p> <p>PREPARED UNDER MY DIRECT SUPERVISION FOR AND ON BEHALF OF CLASSIC CONSULTING ENGINEERS AND SURVEYORS, LLC</p> <p>MARC A. WHORTON, P.E. #37155</p>	<p>RETREAT AT TIMBERIDGE FILING NO. 2</p> <p>CONSTRUCTION PLANS</p> <p>STREET IMPROVEMENT PLANS</p> <p>ELK ANTLER LANE</p>
	<p>DATE</p> <p>3/23/2022</p>	<p>CLASSIC CONSULTING</p> <p>619 N. Cascade Avenue, Suite 200 Colorado Springs, Colorado 80903</p> <p>(719) 785-0790 (719) 785-0799 (Fax)</p>	<p>DESIGNED BY</p> <p>SCALE</p> <p>DATE</p> <p>02-25-21</p>



CONCRETE CURB CURVE TABLE

CURVE	LENGTH	RADIUS	DELTA
C5	31.42'	20.00'	90°00'00"
C6	31.42'	20.00'	90°00'00"
C11	29.69'	50.00'	34°01'21"
C12	162.36'	60.00'	155°02'42"
C13	29.69'	50.00'	34°01'21"



48 HOURS BEFORE YOU DIG, CALL UTILITY LOCATORS
811
 UTILITY NOTIFICATION CENTER OF COLORADO
 IT'S THE LAW

THE LOCATIONS OF EXISTING UNDERGROUND UTILITIES ARE SHOWN IN AN APPROXIMATE WAY ONLY. THE CONTRACTOR SHALL DETERMINE THE EXACT LOCATION OF ALL EXISTING UTILITIES BEFORE COMMENCING WORK. THE CONTRACTOR SHALL BE FULLY RESPONSIBLE FOR ANY AND ALL DAMAGES WHICH MIGHT BE CAUSED BY HIS FAILURE TO EXACTLY LOCATE AND PRESERVE ANY AND ALL UNDERGROUND UTILITIES.

NO.	REVISION	DATE

REVIEW: PREPARED UNDER MY DIRECT SUPERVISION FOR AND ON BEHALF OF CLASSIC CONSULTING ENGINEERS AND SURVEYORS, LLC

MARC A. WHORTON, P.E. #37155
 3/23/2022 DATE

CLASSIC CONSULTING
 619 N. Cascade Avenue, Suite 200
 Colorado Springs, Colorado 80903
 (719) 785-0790
 (719) 785-0799 (Fax)

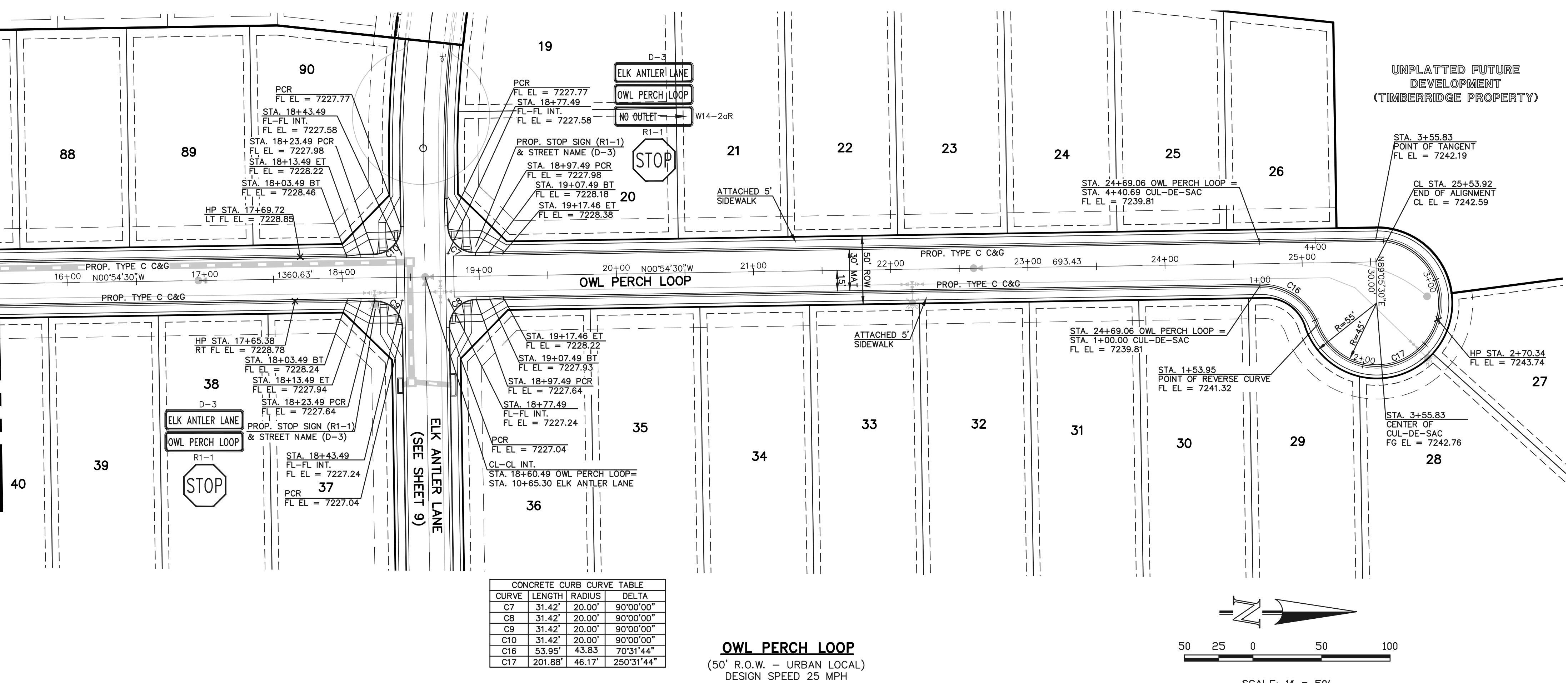
RETREAT AT TIMBERIDGE FILING NO. 2
 CONSTRUCTION PLANS
 STREET IMPROVEMENT PLANS
 OWL PERCH LOOP

DESIGNED BY	PRA	SCALE	DATE	02-25-21
DRAWN BY	PRA	(H) 1" = 50'	SHEET	10 OF 24
CHECKED BY	(V) 1" = 5'	JOB NO.	1185.20	

N:\118520\DRAWINGS\CONSTRUCTION\10-118520-5-05.dwg, 2/7/2022, 9:38:47 AM, 1:1

MATCHLINE ~ STA. 15+50.00
(SEE SHEET 10)

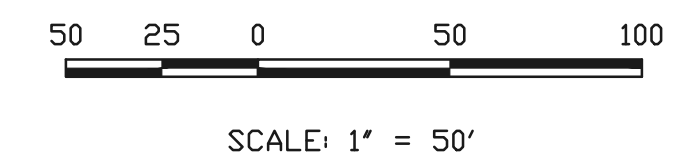
MATCHLINE ~ STA. 15+50.00
(SEE SHEET 10)



CONCRETE CURB CURVE TABLE

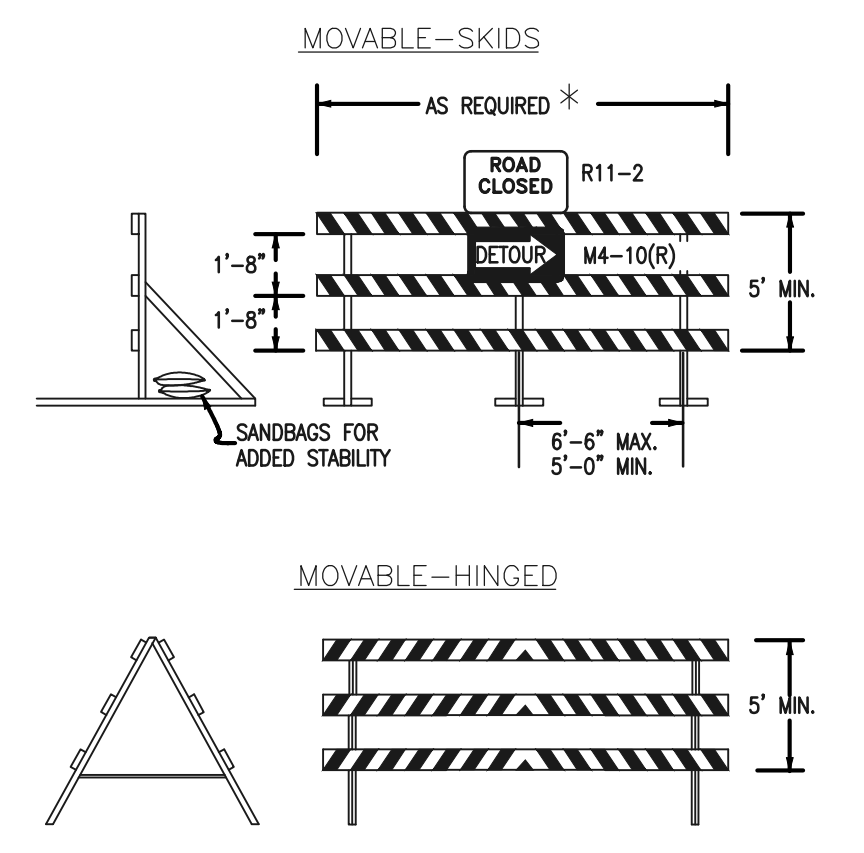
CURVE	LENGTH	RADIUS	DELTA
C7	31.42'	20.00'	90°00'00"
C8	31.42'	20.00'	90°00'00"
C9	31.42'	20.00'	90°00'00"
C10	31.42'	20.00'	90°00'00"
C16	53.95'	43.83'	70°31'44"
C17	201.88'	46.17'	250°31'44"

OWL PERCH LOOP
(50' R.O.W. - URBAN LOCAL)
DESIGN SPEED 25 MPH

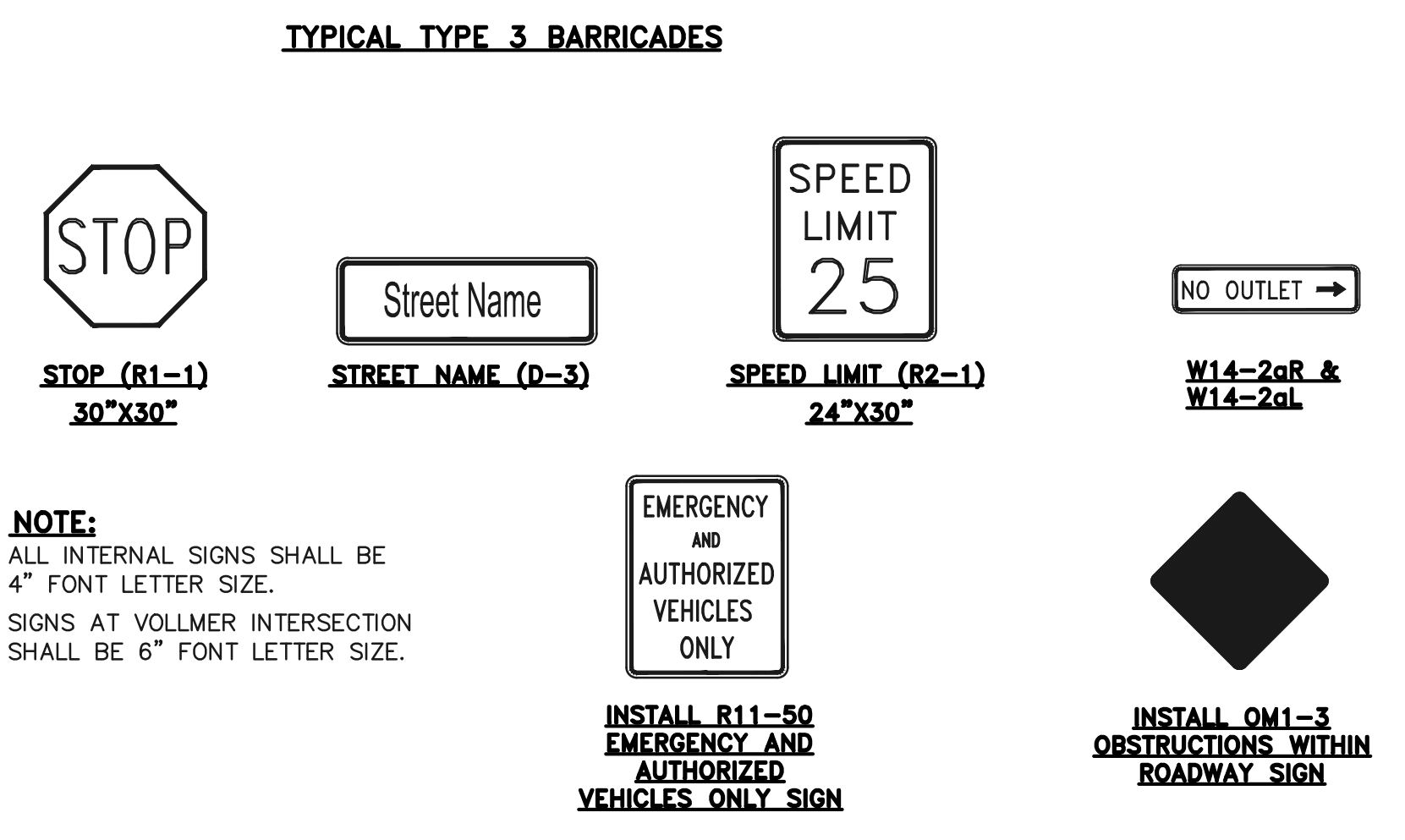


RAIL LENGTH TABLE *

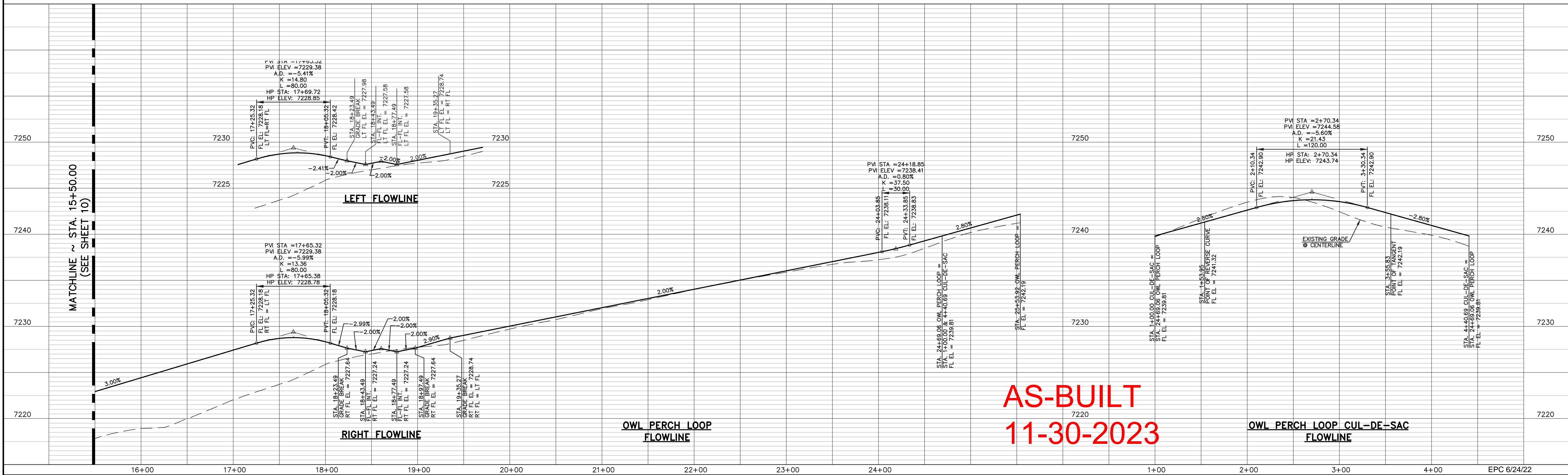
TYPE 3 BARRICADE		LENGTH
FIXED	MOVABLE	
F - A	M - A	8' - 14'
F - B	M - B	15' - 24'
F - C	M - C	25' - 35'
F - D	M - D	> 35'



- NOTES**
- TYPE 3 BARRICADES HAVE 3 REFLECTORIZED RAIL FACES IF FACING TRAFFIC IN ONE DIRECTION AND 6 IF FACING TRAFFIC IN TWO DIRECTIONS.
 - THE PORTION OF THE POST ABOVE THE GROUND LINE SHALL BE PAINTED IN ACCORDANCE WITH THE APPROPRIATE GENERAL NOTE.
 - DETACHABLE EXTENSION WING RAILS FOR BYPASSING OF CONSTRUCTION EQUIPMENT ARE PERMITTED, WHEN NECESSARY, ON FIXED OR MOVABLE TYPE 3 BARRICADES. THE LENGTH SHALL BE ADEQUATE TO CLOSE THE SHOULDER AS REQUIRED.



NOTE:
ALL INTERNAL SIGNS SHALL BE 4" FONT LETTER SIZE.
SIGNS AT VOLLMER INTERSECTION SHALL BE 6" FONT LETTER SIZE.



AS-BUILT
7220
11-30-2023

48 HOURS BEFORE YOU DIG,
CALL UTILITY LOCATORS
811
UTILITY NOTIFICATION CENTER OF COLORADO
IT'S THE LAW

THE LOCATIONS OF EXISTING UNDERGROUND UTILITIES ARE SHOWN IN AN APPROXIMATE WAY ONLY. THE CONTRACTOR SHALL DETERMINE THE EXACT LOCATION OF ALL EXISTING UTILITIES BEFORE COMMENCING WORK. THE CONTRACTOR SHALL BE FULLY RESPONSIBLE FOR ANY AND ALL DAMAGES WHICH MIGHT BE CAUSED BY HIS FAILURE TO EXACTLY LOCATE AND PRESERVE ANY AND ALL UNDERGROUND UTILITIES.

NO.	REVISION	DATE
1	REVISED PER COUNTY COMMENTS	09-10-21

REVIEW:
PREPARED UNDER MY DIRECT SUPERVISION FOR AND ON BEHALF OF CLASSIC CONSULTING ENGINEERS AND SURVEYORS, LLC

MARC A. WHORTON, COLORADO REGISTERED PROFESSIONAL ENGINEER #37155

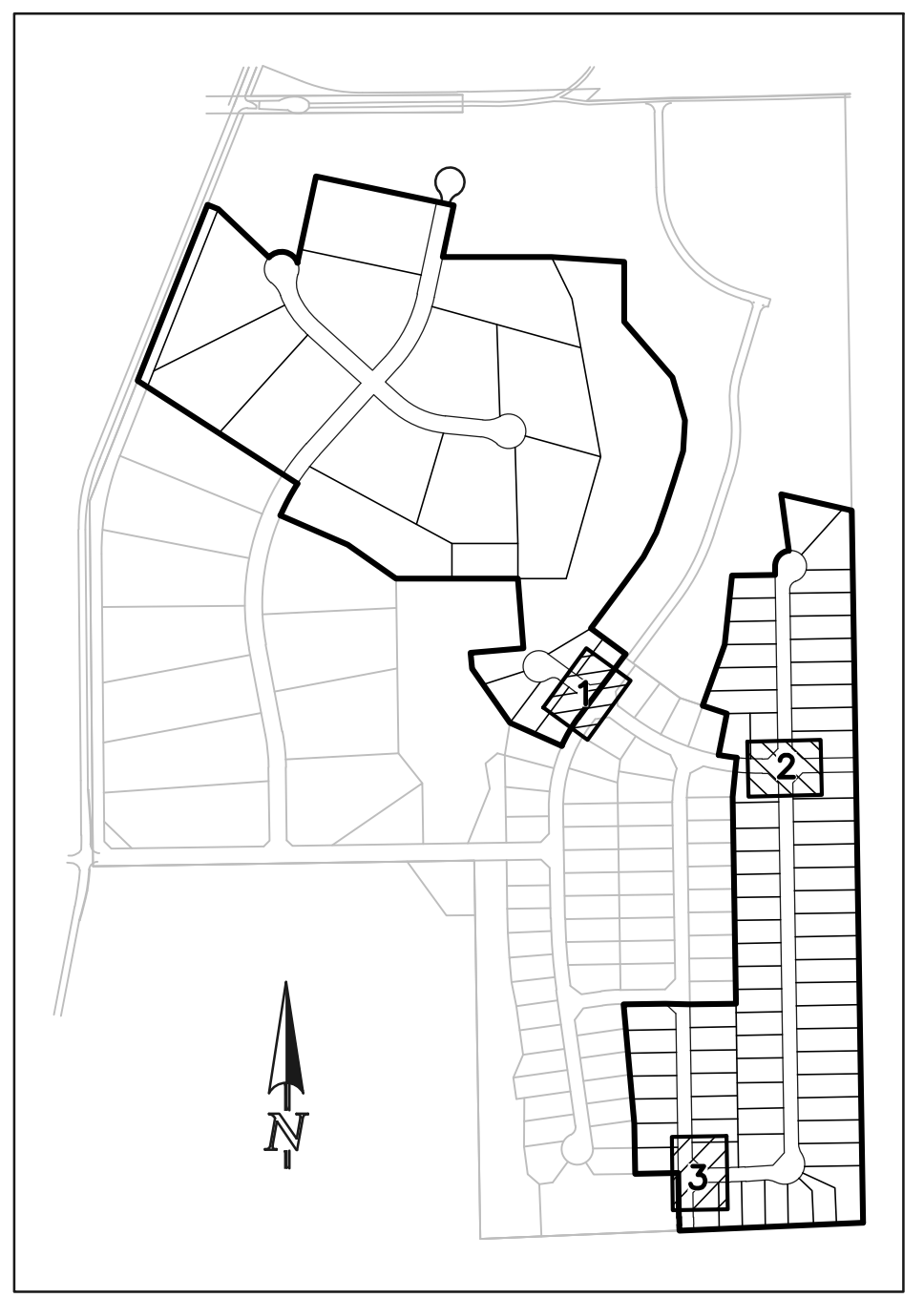
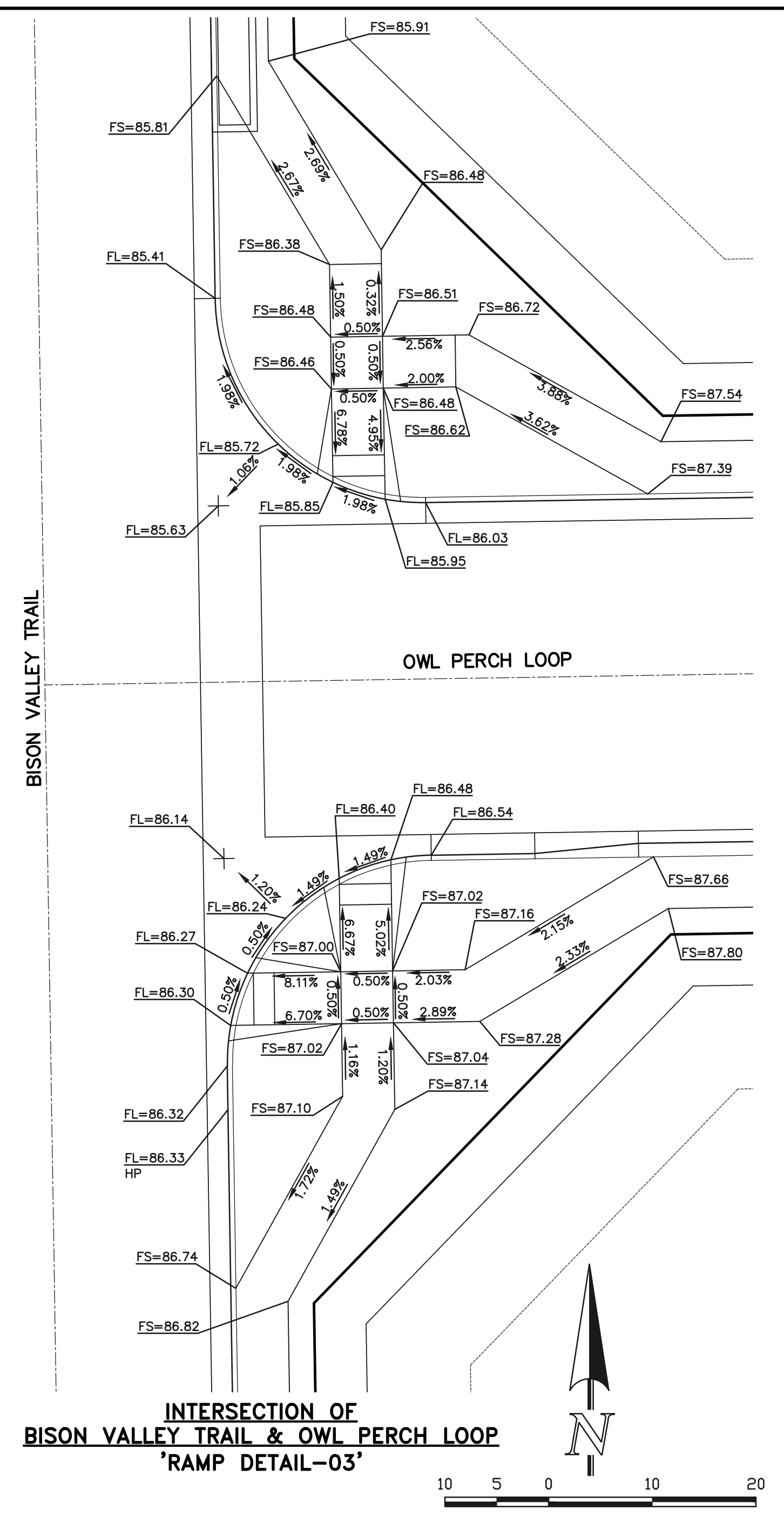
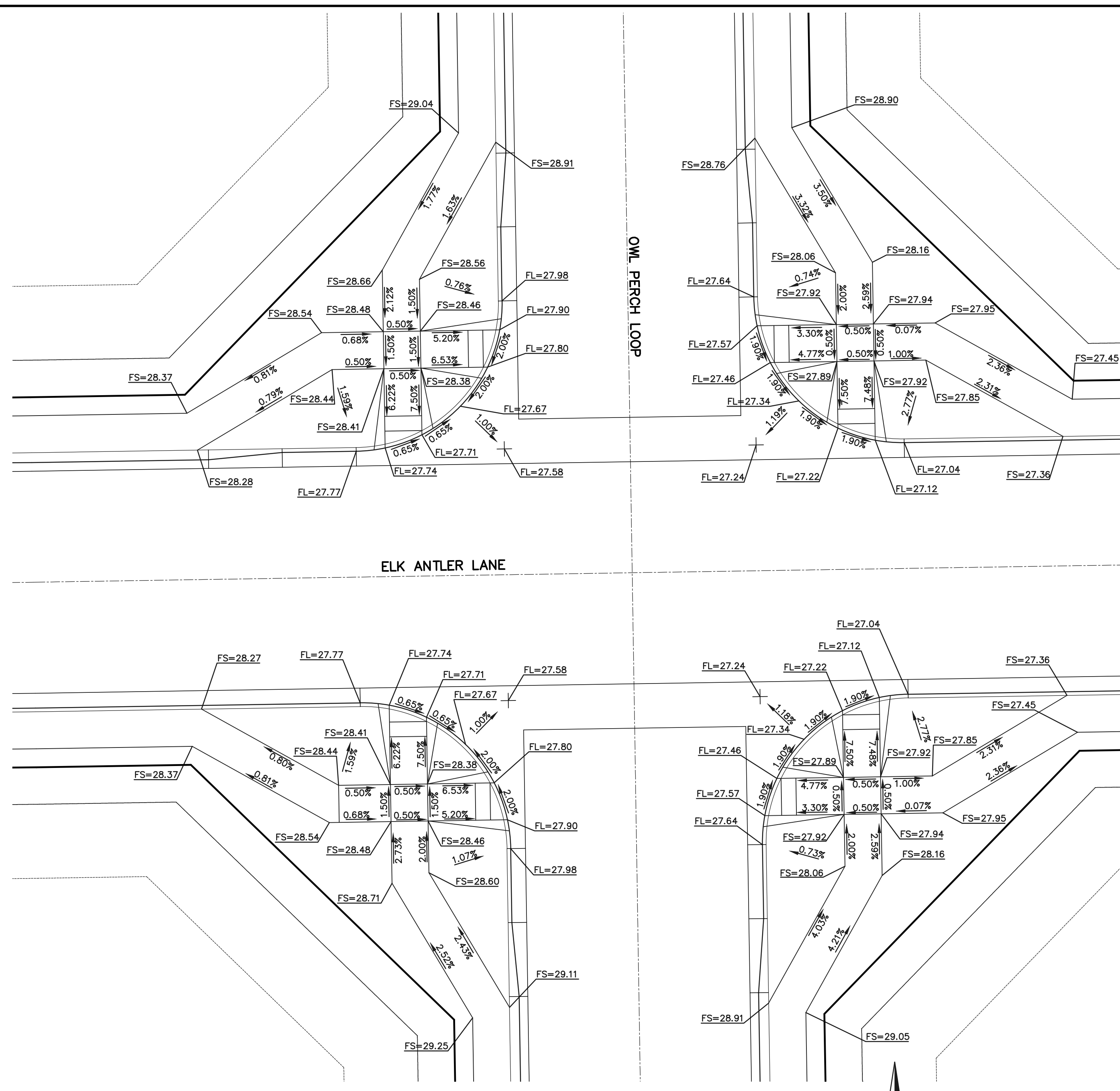
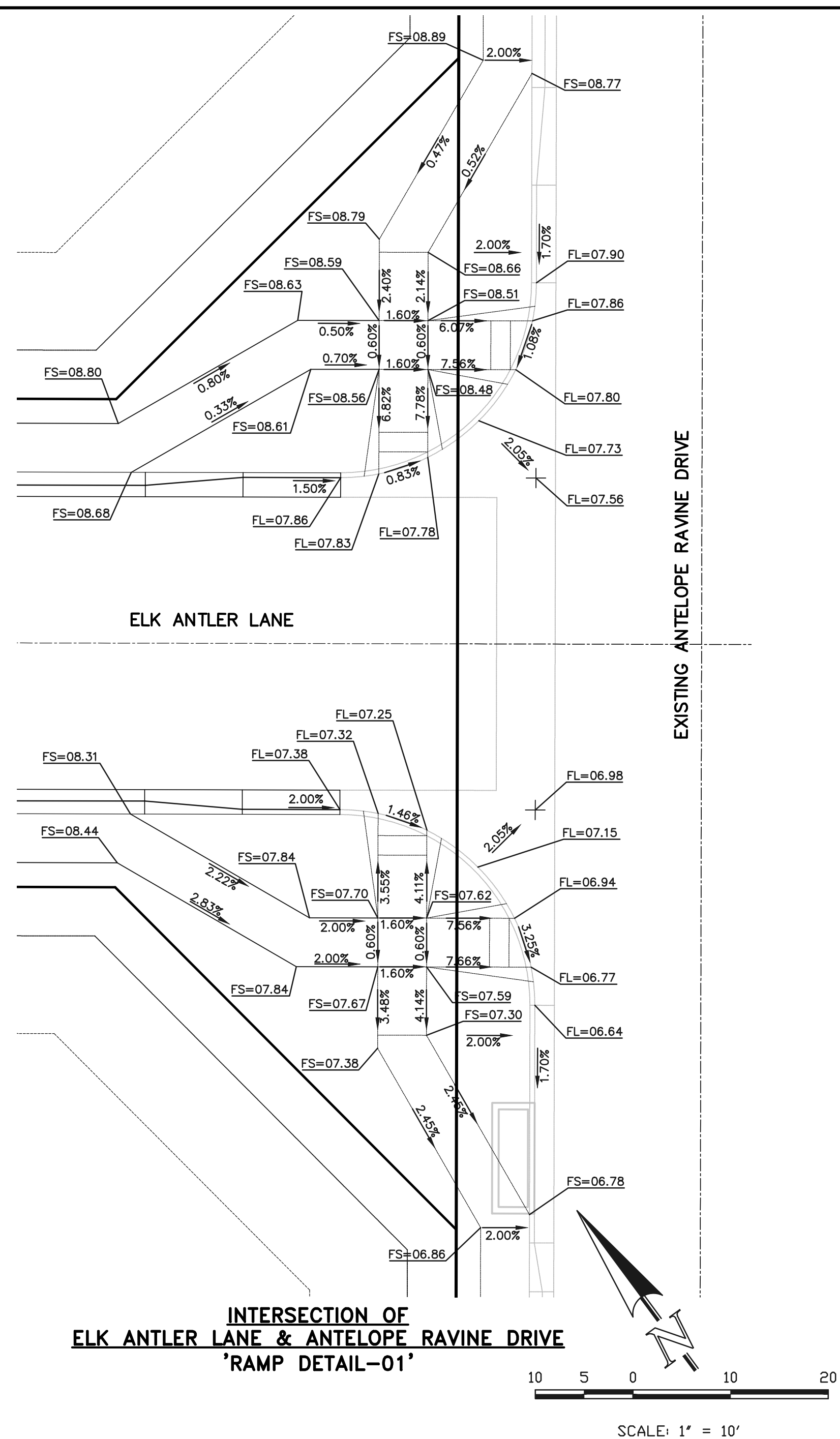
3/23/2022 DATE

619 N. Cascade Avenue, Suite 200
Colorado Springs, Colorado 80903
(719)785-0790
(719)785-0799(Fax)

RETREAT AT TIMBERIDGE FILING NO. 2
CONSTRUCTION PLANS
STREET IMPROVEMENT PLANS
OWL PERCH LOOP

DESIGNED BY	PRA	SCALE	DATE	02-25-21
DRAWN BY	PRA	(H) 1" = 50'	SHEET	11 OF 24
CHECKED BY	(V) 1" = 5'	JOB NO.	1185.20	

N:\118520\DRAWINGS\CONSTRUCTION\11-118520-9-06.dwg, 3/7/2022 9:34:34 AM, 1:1



AS-BUILT
11-30-2023

EPC 6/24/22

48 HOURS BEFORE YOU DIG,
CALL UTILITY LOCATORS
811
UTILITY NOTIFICATION CENTER OF COLORADO
IT'S THE LAW

THE LOCATIONS OF EXISTING UNDERGROUND UTILITIES ARE SHOWN IN AN APPROXIMATE WAY ONLY. THE CONTRACTOR SHALL DETERMINE THE EXACT LOCATION OF ALL EXISTING UTILITIES BEFORE COMMENCING WORK. THE CONTRACTOR SHALL BE FULLY RESPONSIBLE FOR ANY AND ALL DAMAGES WHICH MIGHT BE CAUSED BY HIS FAILURE TO EXACTLY LOCATE AND PRESERVE ANY AND ALL UNDERGROUND UTILITIES.

NO.	REVISION	DATE
1	REVISED PER COUNTY COMMENTS	2/4/22

REVIEW:
PREPARED UNDER MY DIRECT SUPERVISION FOR AND ON BEHALF OF CLASSIC CONSULTING ENGINEERS AND SURVEYORS, LLC

MARC A. WHORRY
REGISTERED PROFESSIONAL ENGINEER
#37155

3/23/2022
DATE

CLASSIC CONSULTING

619 N. Cascade Avenue, Suite 200
Colorado Springs, Colorado 80903

(719) 785-0790
(719) 785-0799 (Fax)

RETREAT AT TIMBERIDGE FILING NO. 2
CONSTRUCTION PLANS
PEDESTRIAN RAMP DETAILS

DESIGNED BY	PRA	SCALE	DATE	03-16-21
DRAWN BY	PRA	(H) 1" = 10'	SHEET	12 OF 24
CHECKED BY	(V)	1" = N/A	JOB NO.	1185.20

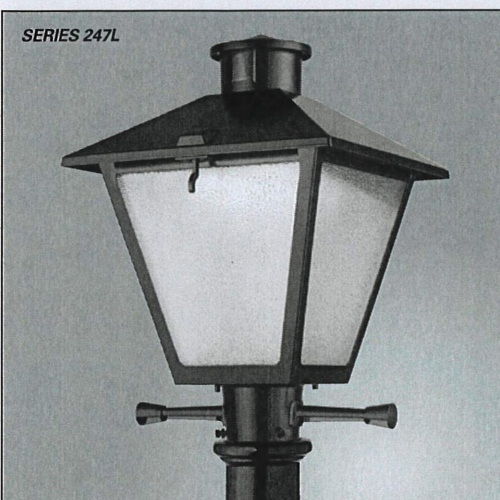
CLASSIC CONSULTING

N:\118520\DRAWINGS\CONSTRUCTION\12-118520-PED RAMP DETAILS.dwg, 2/16/2022 1:58:01 PM, 1:1



American Revolution LED Series 247L

PRODUCT OVERVIEW



Features:

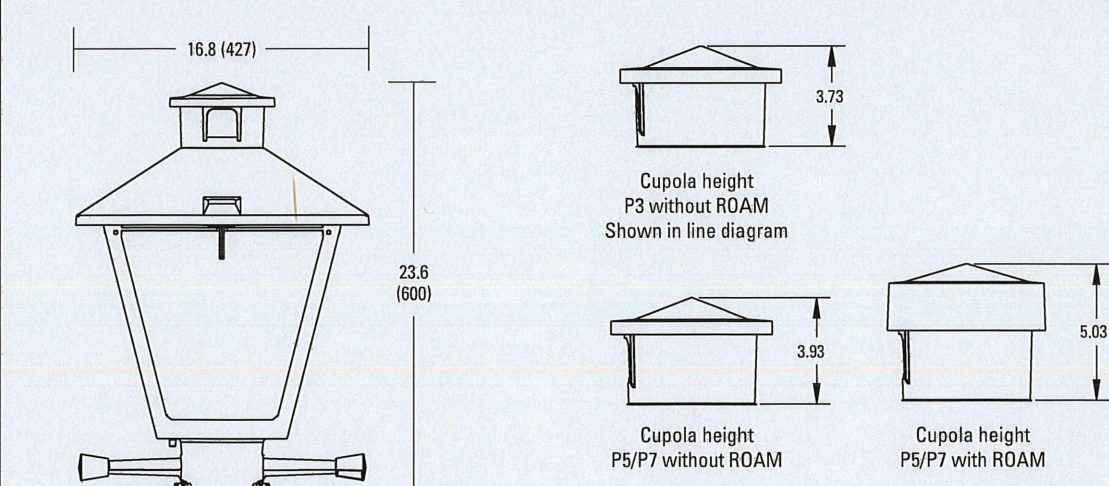
- Die-cast aluminum housing and hood for long-life performance
- Die-cast trigger latch (TL) and captive thumb screws option available for easy access to internal components
- Optical assembly designed for maximum performance, available in Type II, Type III and Type V
- Hinged hood and captive thumb screws provision afford quick, easy access to electrical and optical area for servicing
- Slipfitter with three set screws allows secure installation to pole sizes 2-3/8" or 3" O.D.
- Surge protection device (standard) exceeds ANSI C82.41 Category C1 criteria (surge tested at 10kV/5kA)
- Complies with ANSI: C136.2, C136.10, C136.15
- CSA listed and suitable for up to 30°C ambient
- Rated L70, LED life greater than 100,000 hours at 25°C
- Replaces up to 150W HPS light source incumbent models
- LED electronic 0V-10V dimmable driver
- DesignLights Consortium® (DLC) qualified product. Not all versions of this product may be DLC qualified. Please check the DLC Qualified Products List at www.designlights.org/DPL to confirm which versions are qualified.

Applications:

- Streetscapes
- Walkways
- Pathways
- Parks

MVEA SPEC # 247L 10LEDE10 MVOLT 4K RS AY PCLL

DIMENSIONS



Effective Projected Area (EPA)
The EPA for the American Revolution Series 247L is 1.8 sq. ft.
PS or P7 option total height is 24.9 (EPA):
Approx. Wt. = 36 lbs.

All dimensions are inches (millimeters) unless otherwise noted.

Note: Specifications subject to change without notice.

American Revolution Series 247L LED



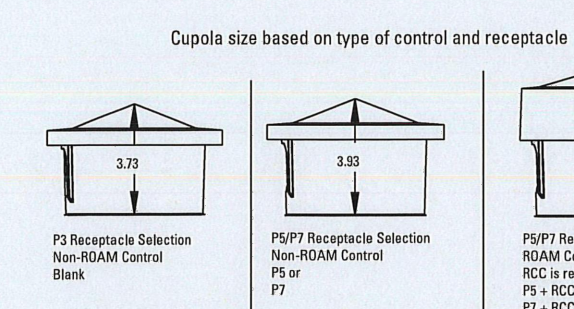
American Revolution LED Series 247L

ORDERING INFORMATION

Example: 247L 20LEDE70 MVOLT 4K RS AY

Series	Performance Package	Voltage	Color Temperature (CCT)
247L American Revolution LED	20LEDE10 20 Chips, 1000 mA Driver, 72 input watts 20LEDE20 20 Chips, 2000 mA Driver, 40 input watts 10LEDE10 10 Chips, 1000 mA Driver, 28 input watts 10LEDE70 10 Chips, 700 mA Driver, 25 input watts 10LEDE35 10 Chips, 350 mA Driver, 13 input watts	MVOLT Multi-volt, 120-277V 247 247V 480 480V	3K 3000K 4K 4000K 5K 5000K

Distribution	Optics	Options	Miscellaneous
R2 Type II R3 Type III R5 Type V	AY Acrylic PV Polycarbonate CY Gray DBB Dark Bronze WH White BZ Bronze	PHOTOCONTROL (blank) 3 pin NEMA Photocontrol Receptacle (standard) NR ² No Photocontrol Receptacle PS ² 5 pin NEMA Photocontrol Receptacle (dimming driver included) P7 ² 7 pin NEMA Photocontrol Receptacle (dimming driver included) PCLL ¹⁵ Solid State Long Life Photocontrol PCSS ^{15A} Not CSA Listed Solid State Long Life Photocontrol (120-277V)	SS Stainless steel hardware NL NEMA Label NL Not CSA Listed TL Tool-less Entry LDR Ladder Rest SH Shorting Cap SHK ² Not CSA Listed Shorting Cap HSB House Side Shield Black HSW House Side Shield White GR Enhanced Corrosion Resistant Finish RDC ² ROAM Dimming Node Cupola Cover

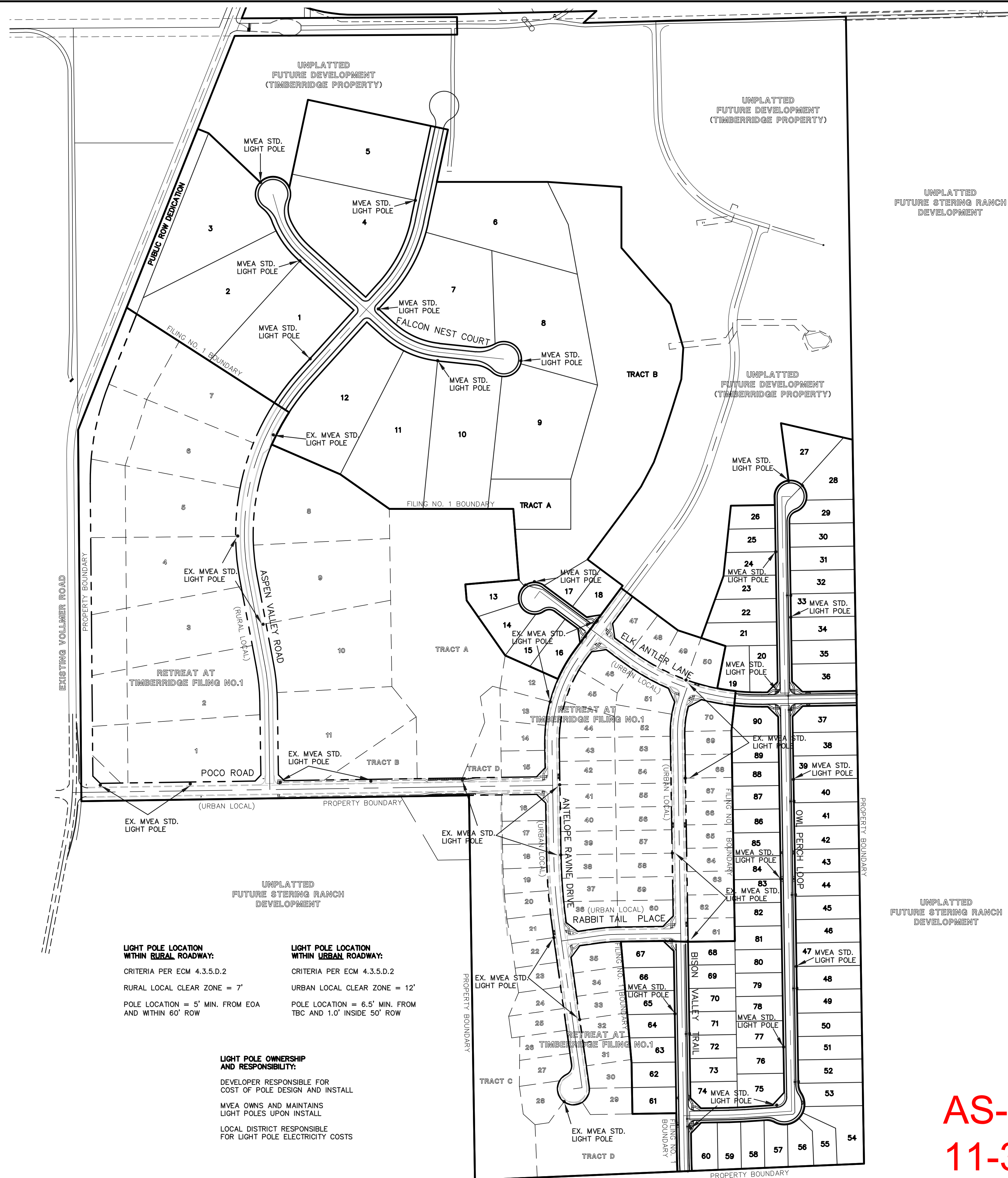


Notes:

- Other colors available, please contact factory
- PS and SH not available with LR option
- Taller cupola cover (RCC) is required when used with ROAM or other similar wireless monitoring control systems
- Standard failure mode "Fail On"
- Photocontrols supplied with ANSI Standard Turn-On levels
- XI option is required
- Ships with unit, field installed
- Required when using ROAM or other similar wireless monitoring control systems

AEL American Electric Lighting
All Headquarters: 3025 Columbia Road, Greenville, OH 45603
www.americanelectriclighting.com
© 2017 Acuity Brands Lighting, Inc. All Rights Reserved. 02/26/17

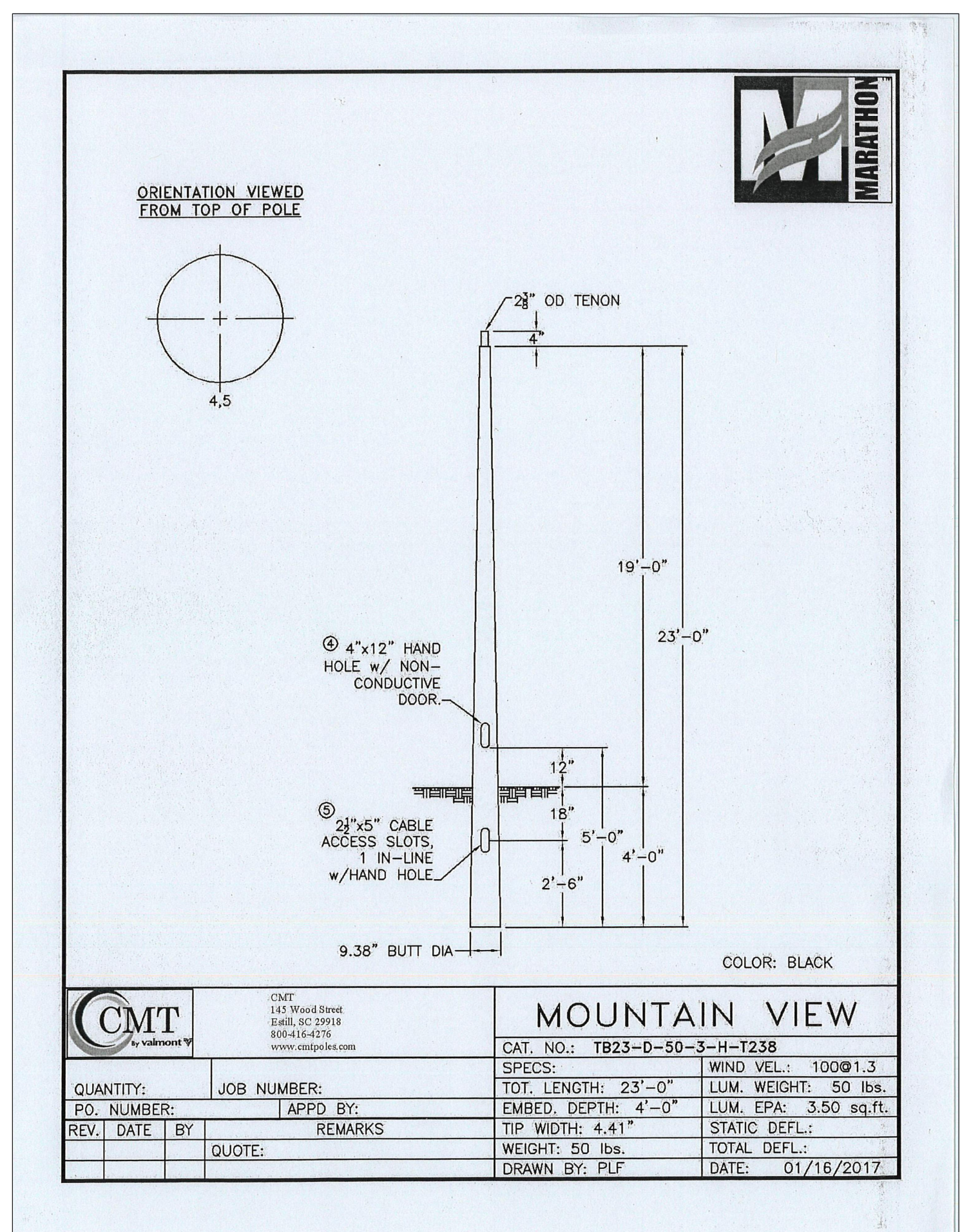
Warranty Five-year limited warranty. Complete warranty terms located at www.americanelectriclighting.com/customerresources/Products_and_conditions.aspx. Actual performance may differ as a result of end-user environment and application. All values are design or typical values, measured under laboratory conditions at 25°C. Specifications subject to change without notice.
Please contact your sales representative for the latest product information.



LIGHT POLE LOCATION WITHIN RURAL ROADWAY:
CRITERIA PER ECM 4.3.5.D.2
RURAL LOCAL CLEAR ZONE = 7'
POLE LOCATION = 5' MIN. FROM EOA AND WITHIN 60' ROW

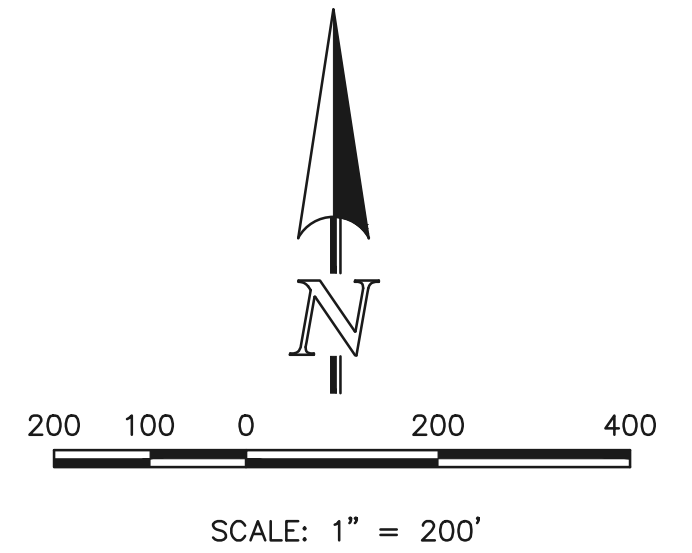
LIGHT POLE LOCATION WITHIN URBAN ROADWAY:
CRITERIA PER ECM 4.3.5.D.2
URBAN LOCAL CLEAR ZONE = 12'
POLE LOCATION = 6.5' MIN. FROM TBC AND 1.0' INSIDE 50' ROW

LIGHT POLE OWNERSHIP AND RESPONSIBILITY:
DEVELOPER RESPONSIBLE FOR COST OF POLE DESIGN AND INSTALL
MVEA OWNS AND MAINTAINS LIGHT POLES UPON INSTALL
LOCAL DISTRICT RESPONSIBLE FOR LIGHT POLE ELECTRICITY COSTS



CMT		MOUNTAIN VIEW	
QUANTITY:	JOB NUMBER:	CAT. NO.:	TB23-D-50-3-H-T238
RD. NUMBER:	APPRO. BY:	SPECS:	TOT. LENGTH: 23'-0"
REV. DATE BY:	REMARKS:	EMBED. DEPTH: 4'-0"	WIND VEL.: 100@1.3
QUOTE:		TIP WIDTH: 4.41"	LUM. WEIGHT: 50 lbs.
		WEIGHT: 50 lbs.	LUM. EPA: 3.50 sq.ft.
		DRAWN BY: PLF	STATIC DEFL.: TOTAL DEFL.:
			DATE: 01/16/2017

AS-BUILT 11-30-2023



48 HOURS BEFORE YOU DIG, CALL UTILITY LOCATORS 811 UTILITY NOTIFICATION CENTER OF COLORADO IT'S THE LAW		NO. REVISION	DATE
THE LOCATIONS OF EXISTING UNDERGROUND UTILITIES ARE SHOWN IN AN APPROXIMATE WAY ONLY. THE CONTRACTOR SHALL DETERMINE THE EXACT LOCATION OF ALL EXISTING UTILITIES BEFORE COMMENCING WORK. THE CONTRACTOR SHALL BE FULLY RESPONSIBLE FOR ANY AND ALL DAMAGES WHICH MIGHT BE CAUSED BY HIS FAILURE TO EXACTLY LOCATE AND PRESERVE ANY AND ALL UNDERGROUND UTILITIES.		1 REVISED PER OWNER REQUEST	11/1/21

REVIEW:	DATE
PREPARED UNDER MY DIRECT SUPERVISION FOR AND ON BEHALF OF CLASSIC CONSULTING ENGINEERS AND SURVEYORS, LLC	3/23/2022
MARC A. WHORTON, COLORADO REGISTERED PROFESSIONAL ENGINEER #37155	DATE

CLASSIC CONSULTING

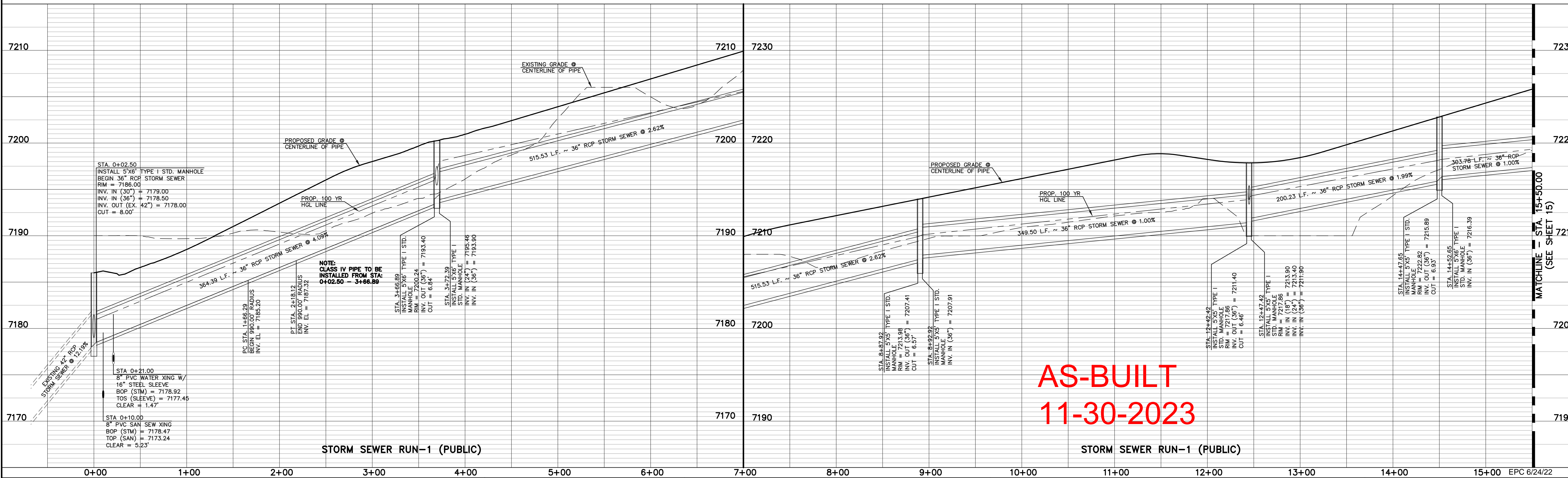
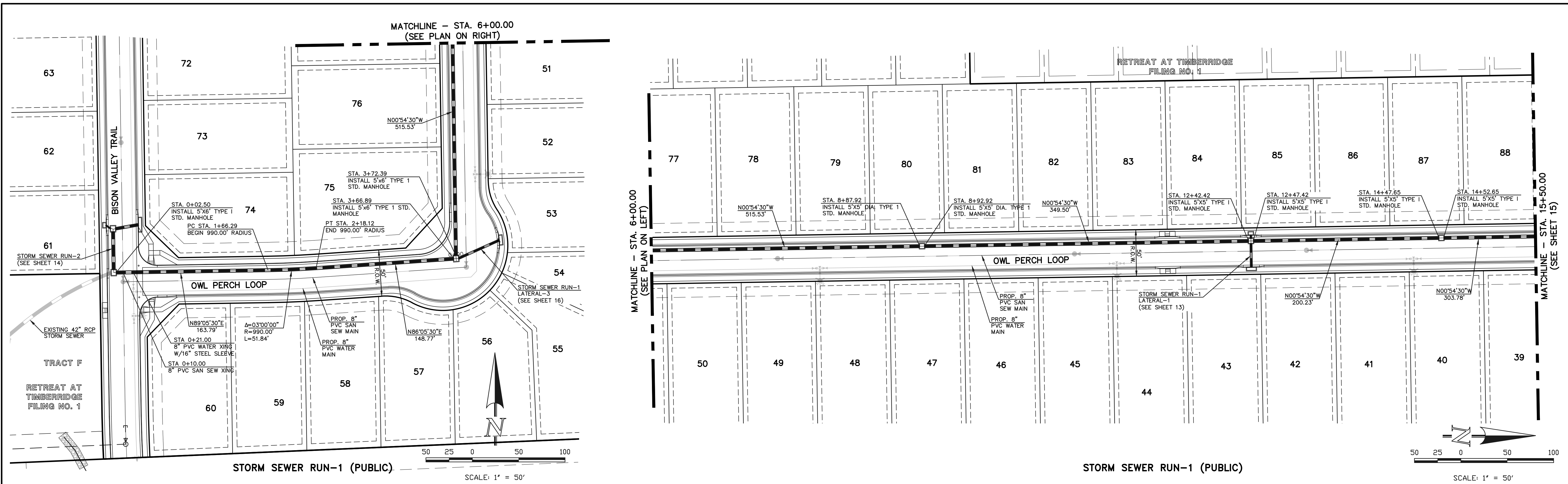
619 N. Cascade Avenue, Suite 200
Colorado Springs, Colorado 80903

(719) 785-0790
(719) 785-0799 (Fax)

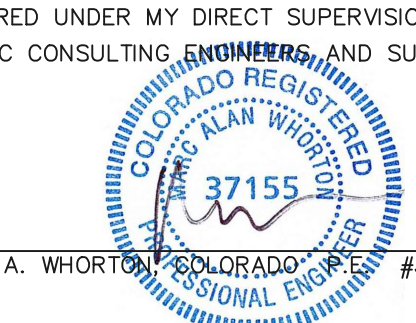

RETREAT AT TIMBERIDGE FILING NO. 2
CONSTRUCTION PLANS
STREET LIGHT POLE LOCATION PLAN

DESIGNED BY: PRA SCALE: DATE: 03-19-21
DRAWN BY: PRA (H) 1" = 200' SHEET 13 OF 24
CHECKED BY: (V) 1" = N/A JOB NO. 1185.20

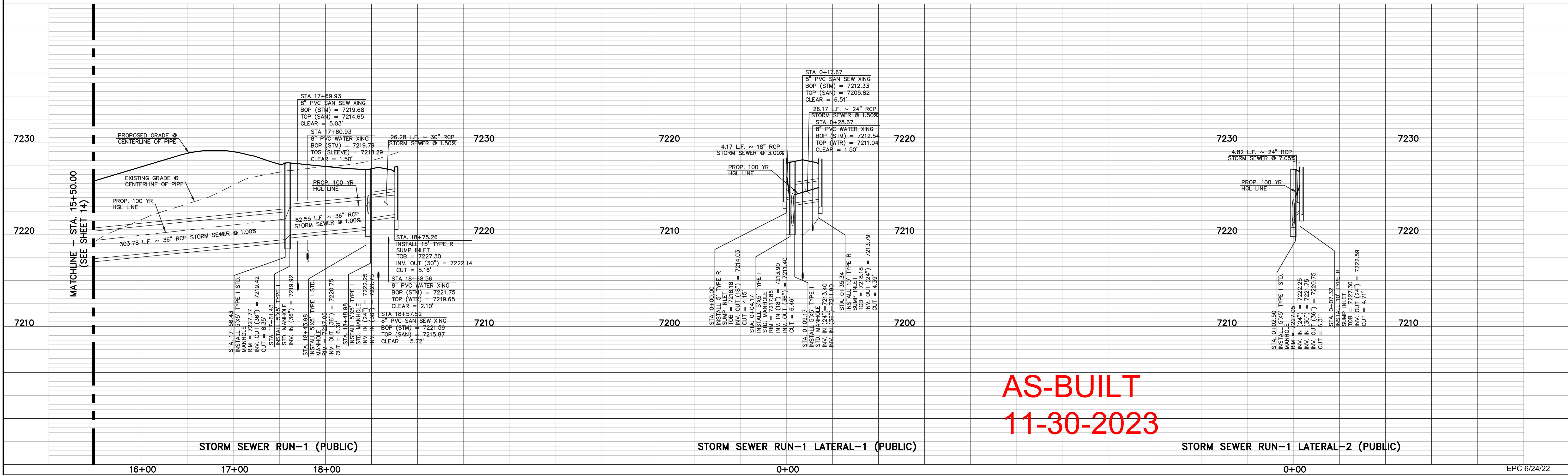
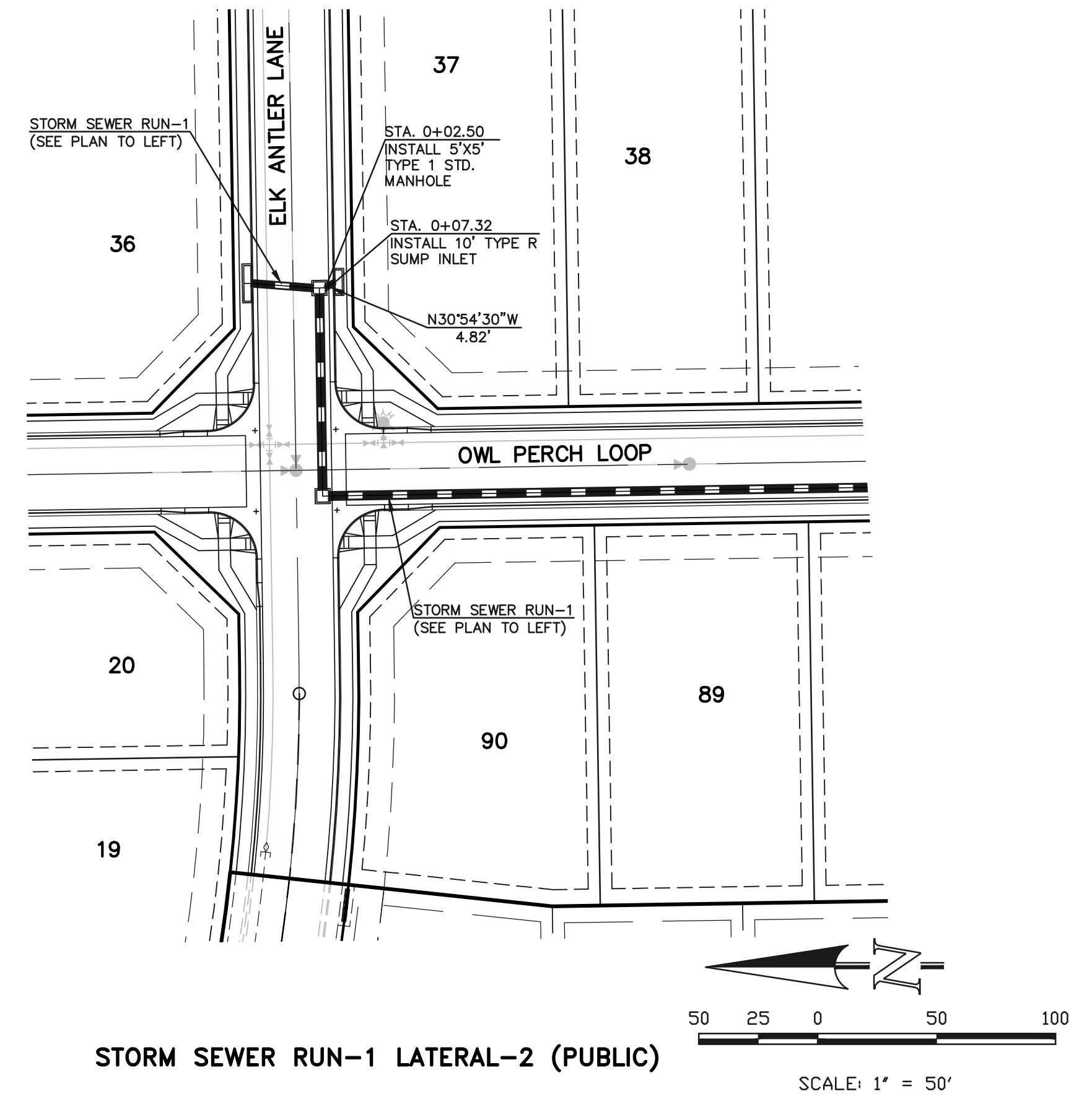
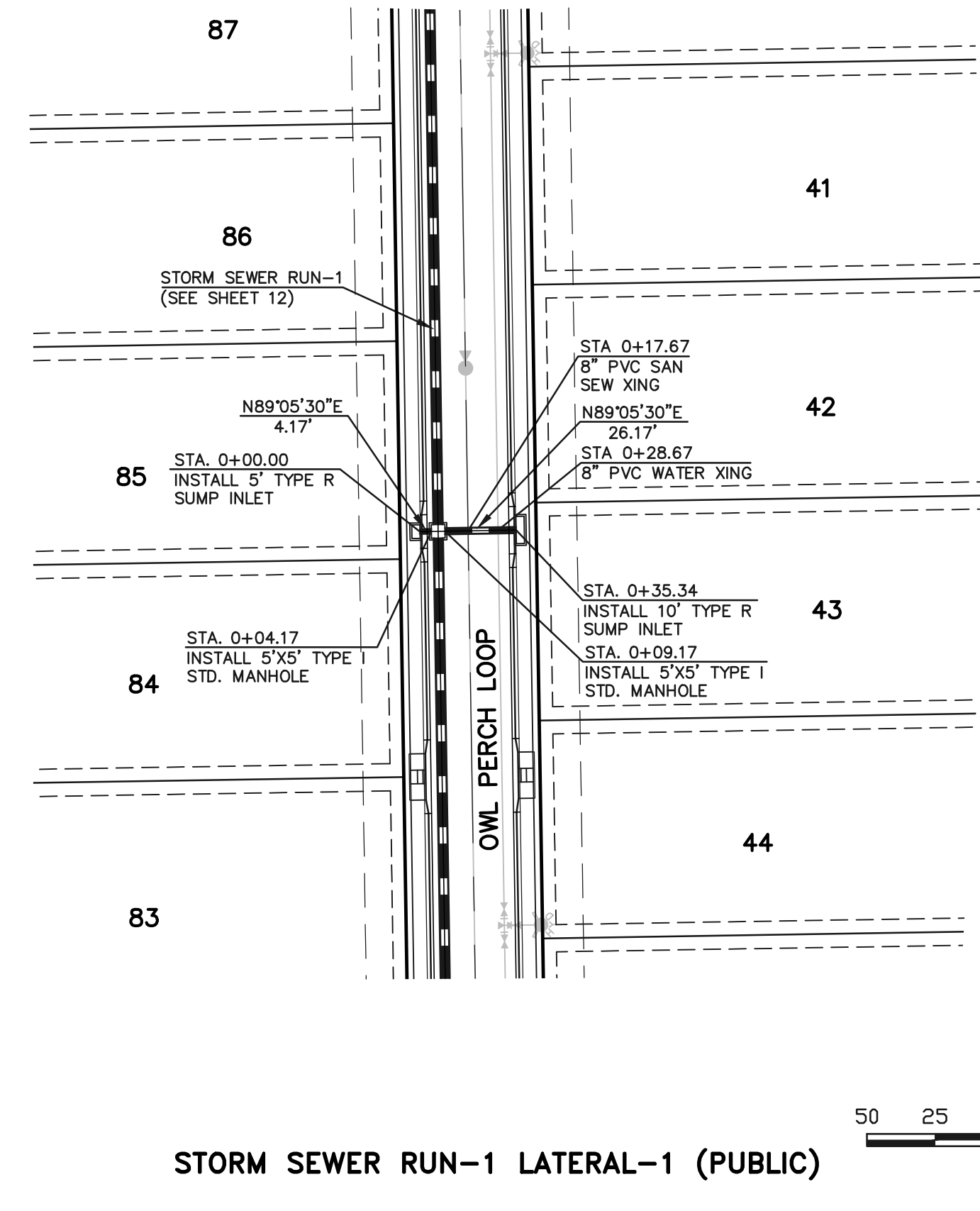
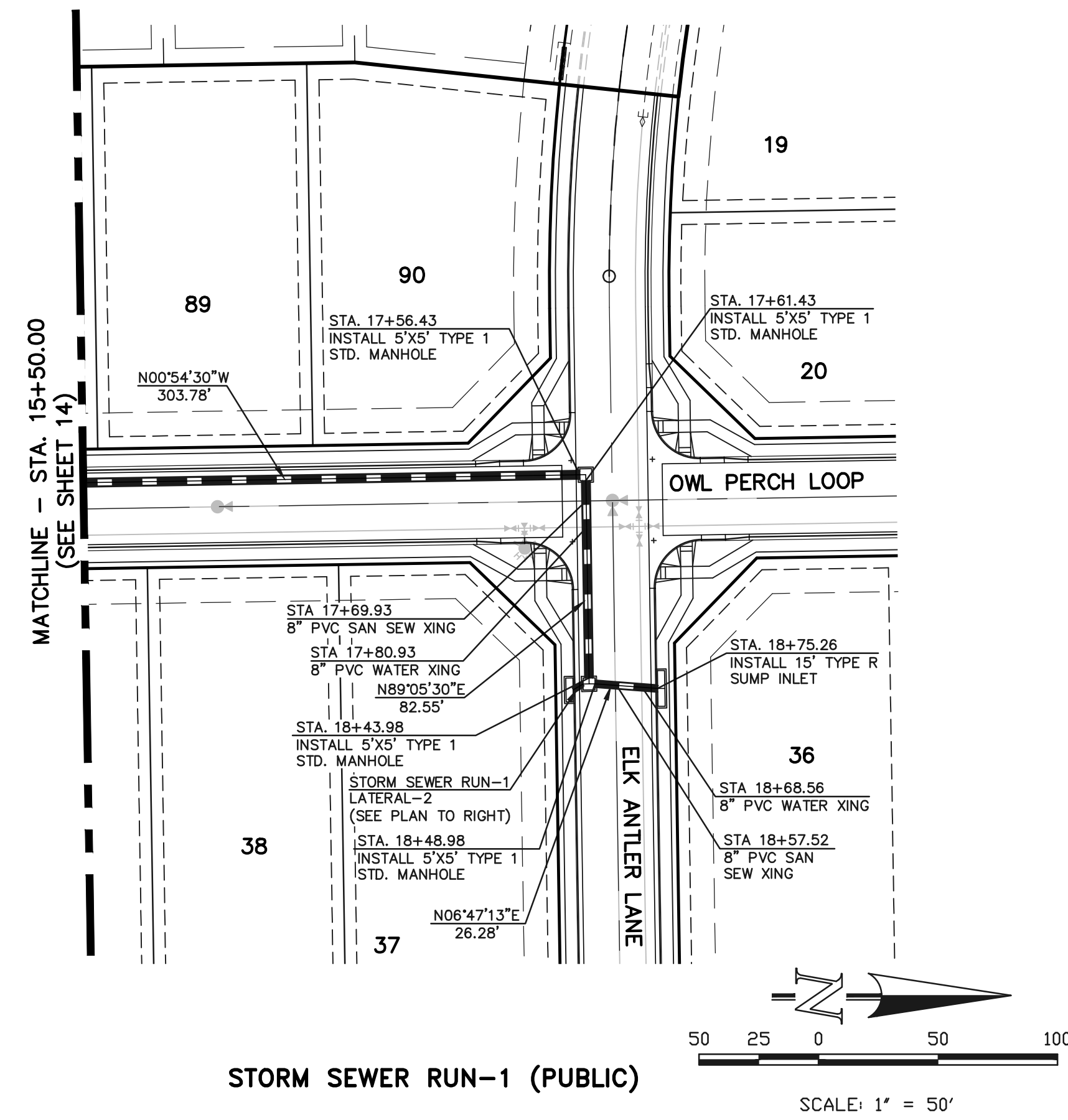
EPC 6/24/22



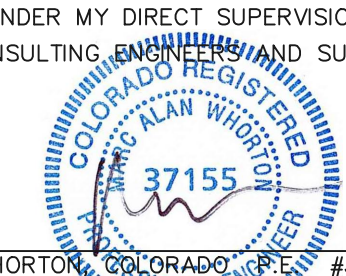

AS-BUILT
11-30-2023

<p style="text-align: center;">48 HOURS BEFORE YOU DIG, CALL UTILITY LOCATORS 811 UTILITY NOTIFICATION CENTER OF COLORADO IT'S THE LAW</p> <p style="font-size: 8pt;">THE LOCATIONS OF EXISTING UNDERGROUND UTILITIES ARE SHOWN IN AN APPROXIMATE WAY ONLY. THE CONTRACTOR SHALL DETERMINE THE EXACT LOCATION OF ALL EXISTING UTILITIES BEFORE COMMENCING WORK. THE CONTRACTOR SHALL BE FULLY RESPONSIBLE FOR ANY AND ALL DAMAGES WHICH MIGHT BE CAUSED BY HIS FAILURE TO EXACTLY LOCATE AND PRESERVE ANY AND ALL UNDERGROUND UTILITIES.</p>	<table border="1" style="width: 100%; border-collapse: collapse;"> <thead> <tr> <th>NO.</th> <th>REVISION</th> <th>DATE</th> </tr> </thead> <tbody> <tr> <td>1</td> <td>REVISED PER COUNTY COMMENTS</td> <td>09-10-21</td> </tr> <tr> <td>2</td> <td>REVISED PER COUNTY COMMENTS</td> <td>2/4/22</td> </tr> </tbody> </table>	NO.	REVISION	DATE	1	REVISED PER COUNTY COMMENTS	09-10-21	2	REVISED PER COUNTY COMMENTS	2/4/22	<p>REVIEW:</p> <p>PREPARED UNDER MY DIRECT SUPERVISION FOR AND ON BEHALF OF CLASSIC CONSULTING ENGINEERS AND SURVEYORS, LLC</p> <div style="text-align: center;">  <p>MARC A. WHORTON, P.E. #37155</p> </div>	<p>3/23/2022 DATE</p>	 <p>CLASSIC CONSULTING</p>	<p>RETREAT AT TIMBERIDGE FILING NO. 2 CONSTRUCTION PLANS PUBLIC STORM SEWER PLAN</p> <table border="1" style="width: 100%; border-collapse: collapse;"> <tr> <td>DESIGNED BY</td> <td>PRA</td> <td>SCALE</td> <td>DATE</td> <td>02-25-21</td> </tr> <tr> <td>DRAWN BY</td> <td>PRA</td> <td>(H) 1" = 50'</td> <td>SHEET</td> <td>14 OF 24</td> </tr> <tr> <td>CHECKED BY</td> <td>(V) 1" = 5'</td> <td>JOB NO.</td> <td colspan="2">1185.20</td> </tr> </table>	DESIGNED BY	PRA	SCALE	DATE	02-25-21	DRAWN BY	PRA	(H) 1" = 50'	SHEET	14 OF 24	CHECKED BY	(V) 1" = 5'	JOB NO.	1185.20	
NO.	REVISION	DATE																											
1	REVISED PER COUNTY COMMENTS	09-10-21																											
2	REVISED PER COUNTY COMMENTS	2/4/22																											
DESIGNED BY	PRA	SCALE	DATE	02-25-21																									
DRAWN BY	PRA	(H) 1" = 50'	SHEET	14 OF 24																									
CHECKED BY	(V) 1" = 5'	JOB NO.	1185.20																										

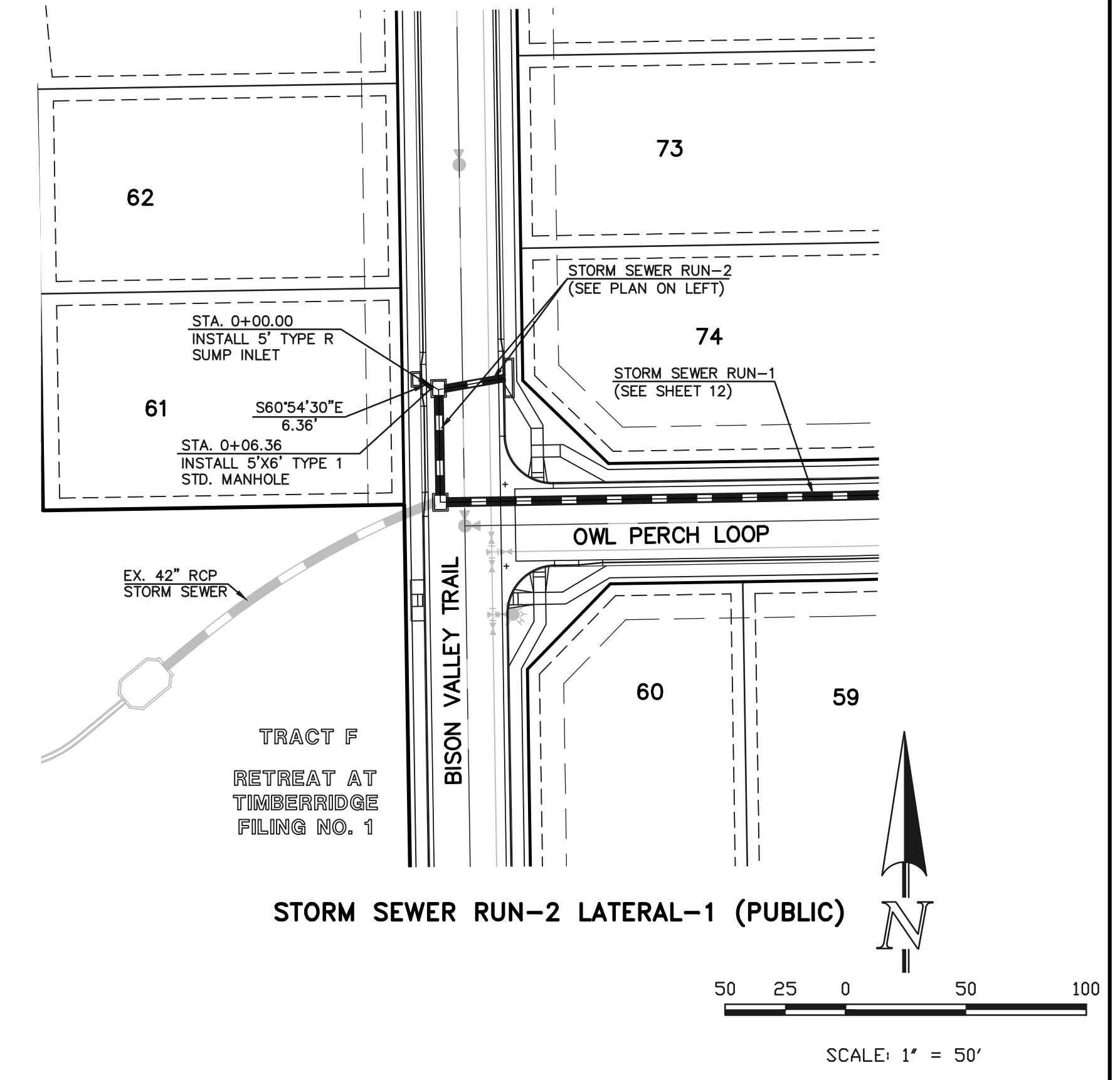
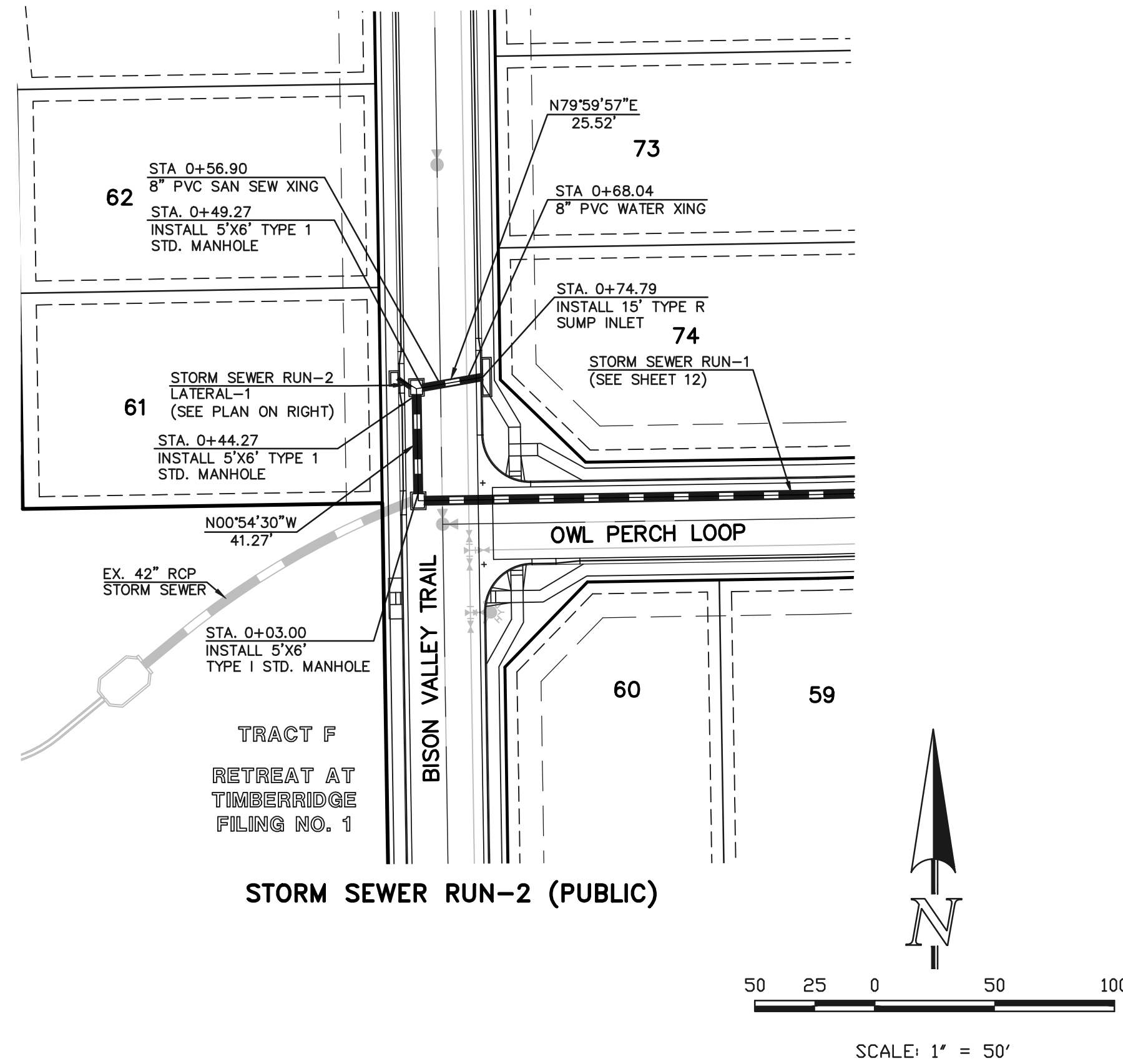
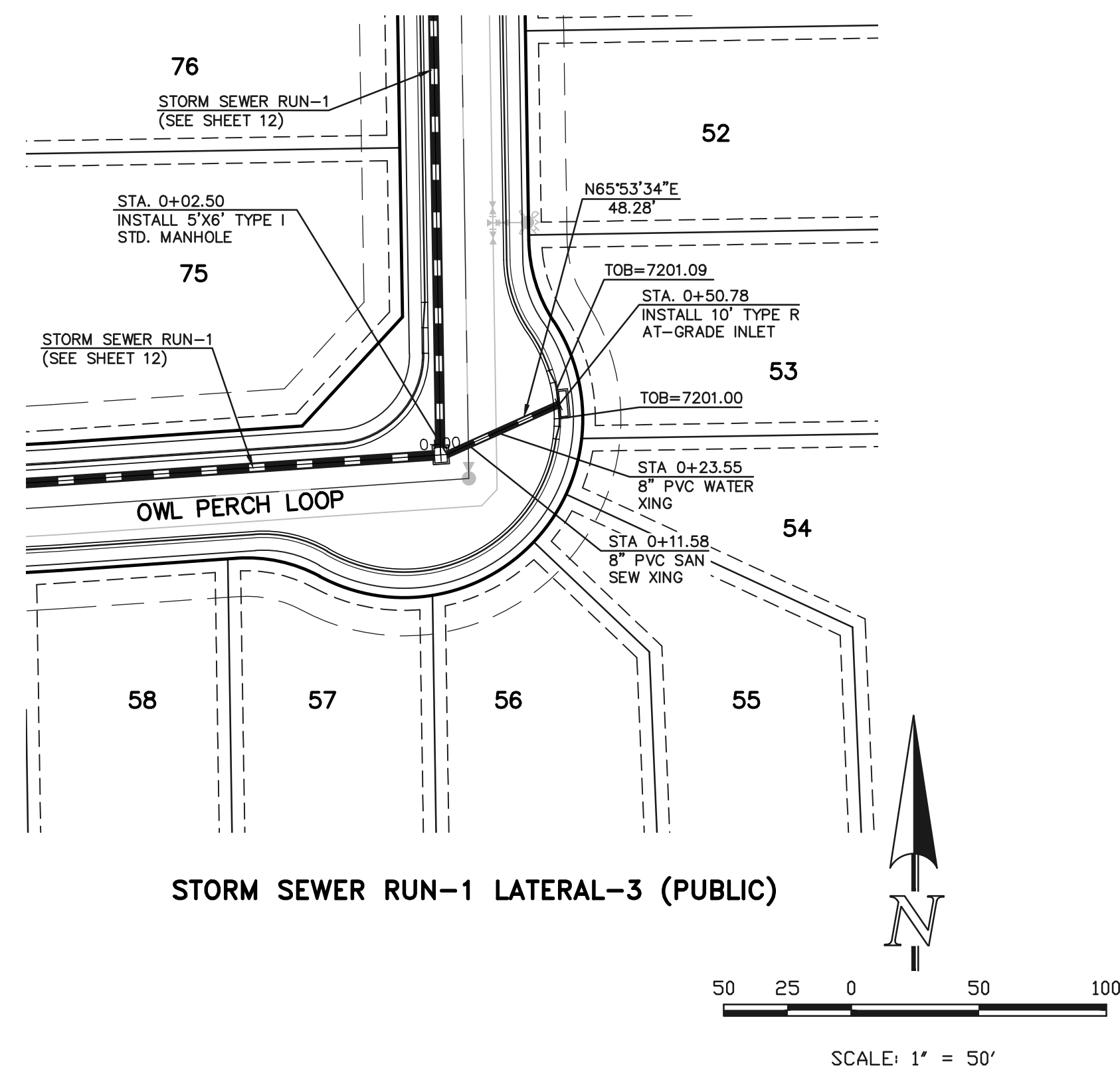
N:\118520\DRAWINGS\CONSTRUCTION\14-118520-2\A\2022.2.23.41.PLM, 1:1



AS-BUILT
11-30-2023

<p>48 HOURS BEFORE YOU DIG, CALL UTILITY LOCATORS 811 UTILITY NOTIFICATION CENTER OF COLORADO IT'S THE LAW</p> <p><small>THE LOCATIONS OF EXISTING UNDERGROUND UTILITIES ARE SHOWN IN AN APPROXIMATE WAY ONLY. THE CONTRACTOR SHALL DETERMINE THE EXACT LOCATION OF ALL EXISTING UTILITIES BEFORE COMMENCING WORK. THE CONTRACTOR SHALL BE FULLY RESPONSIBLE FOR ANY AND ALL DAMAGES WHICH MIGHT BE CAUSED BY HIS FAILURE TO EXACTLY LOCATE AND PRESERVE ANY AND ALL UNDERGROUND UTILITIES.</small></p>	<table border="1" style="width: 100%; border-collapse: collapse;"> <thead> <tr> <th>NO.</th> <th>REVISION</th> <th>DATE</th> </tr> </thead> <tbody> <tr> <td>1</td> <td>ADJUSTED STORM DESIGN FOR HGL'S</td> <td>2/4/22</td> </tr> </tbody> </table>	NO.	REVISION	DATE	1	ADJUSTED STORM DESIGN FOR HGL'S	2/4/22	<p>REVIEW:</p> <p><small>PREPARED UNDER MY DIRECT SUPERVISION FOR AND ON BEHALF OF CLASSIC CONSULTING ENGINEERS AND SURVEYORS, LLC</small></p> <div style="text-align: center;">  <p>MARC A. WHORTON #37155</p> </div> <p>3/23/2022 DATE</p>	 <p>CLASSIC CONSULTING</p>	<p>RETREAT AT TIMBERIDGE FILING NO. 2 CONSTRUCTION PLANS PUBLIC STORM SEWER PLAN</p> <table border="1" style="width: 100%; border-collapse: collapse;"> <tr> <td>DESIGNED BY</td> <td>PRA</td> <td>SCALE</td> <td>DATE</td> <td>02-25-21</td> </tr> <tr> <td>DRAWN BY</td> <td>PRA</td> <td>(H) 1" = 50'</td> <td>SHEET</td> <td>15 OF 24</td> </tr> <tr> <td>CHECKED BY</td> <td>(V) 1" = 5'</td> <td>JOB NO.</td> <td colspan="2">1185.20</td> </tr> </table>	DESIGNED BY	PRA	SCALE	DATE	02-25-21	DRAWN BY	PRA	(H) 1" = 50'	SHEET	15 OF 24	CHECKED BY	(V) 1" = 5'	JOB NO.	1185.20	
NO.	REVISION	DATE																							
1	ADJUSTED STORM DESIGN FOR HGL'S	2/4/22																							
DESIGNED BY	PRA	SCALE	DATE	02-25-21																					
DRAWN BY	PRA	(H) 1" = 50'	SHEET	15 OF 24																					
CHECKED BY	(V) 1" = 5'	JOB NO.	1185.20																						

N:\118520\DRAWINGS\CONSTRUCTION\15-118520-STW-02.dwg - 2/6/2022 2:29:55 PM - 1:1



7210	7210	7190	7190	7190	7190
7200	7200	7180	7180	7180	7180
7190	7190	7170	7170	7170	7170

STA 0+02.50
INSTALL 5'x6' TYPE 1 STD. MANHOLE
INV. IN (36") = 7195.46
INV. IN (36") = 7193.90
INV. OUT (36") = 7193.40
CUT = 6.04'

PROP. 100 YR HGL LINE

STA 0+11.58
8" PVC SAN SEW XING
BOP (STM) = 7195.42
TOP (SAN) = 7186.58
CLEAR = 8.84'

STA 0+23.55
8" PVC WATER XING
BOP (STM) = 7195.65
TOP (WTR) = 7194.15
CLEAR = 1.50'

48.28' L.F. ~ 24" RCP
STORM SEWER @ 1.89%

STA 0+50.78
INSTALL 10' TYPE R AT-GRADE INLET
TOB=7201.09
INV. OUT (24") = 7196.37
MAX. CUT = 4.72'

41.27' L.F. ~ 36" RCP
STORM SEWER @ 2.00%

PROP. 100 YR HGL LINE

STA 0+44.27
INSTALL 5'x6' TYPE 1 STD. MANHOLE
INV. IN (36") = 7179.00
INV. IN (36") = 7176.50
INV. OUT (EX. 42") = 7178.00
CUT = 8.00'

STA 0+49.27
INSTALL 5'x6' TYPE 1 STD. MANHOLE
INV. IN (36") = 7179.83
CUT = 5.68'

STA 0+56.90
8" PVC SAN SEW XING
BOP (STM) = 7179.80
TOP (SAN) = 7173.75
CLEAR = 6.05'

25.52' L.F. ~ 30" RCP
STORM SEWER @ 1.00%

STA 0+68.04
8" PVC WATER XING
BOP (STM) = 7180.23
TOP (WTR) = 7178.57
CLEAR = 1.66'

STA 0+74.79
INSTALL 15' TYPE R SUMP INLET
TOB = 7185.81
INV. IN (36") = 7180.63
CUT = 5.22'

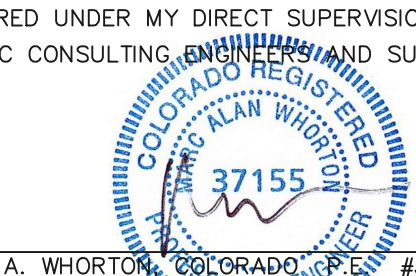

6.86' L.F. ~ 18" RCP
STORM SEWER @ 3.94%

PROP. 100 YR HGL LINE

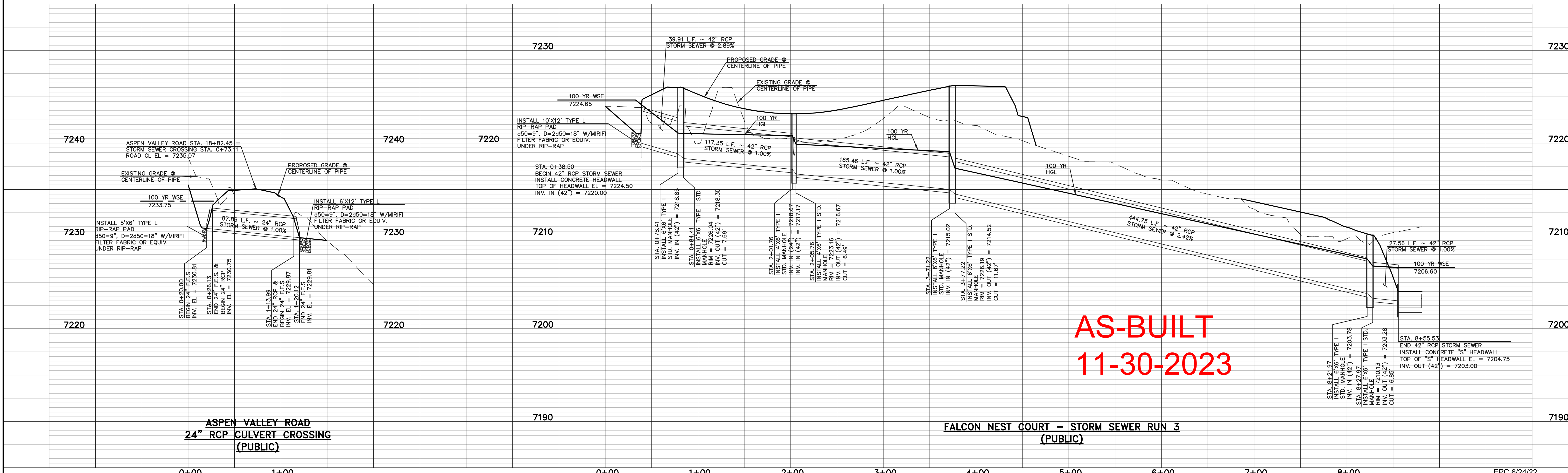
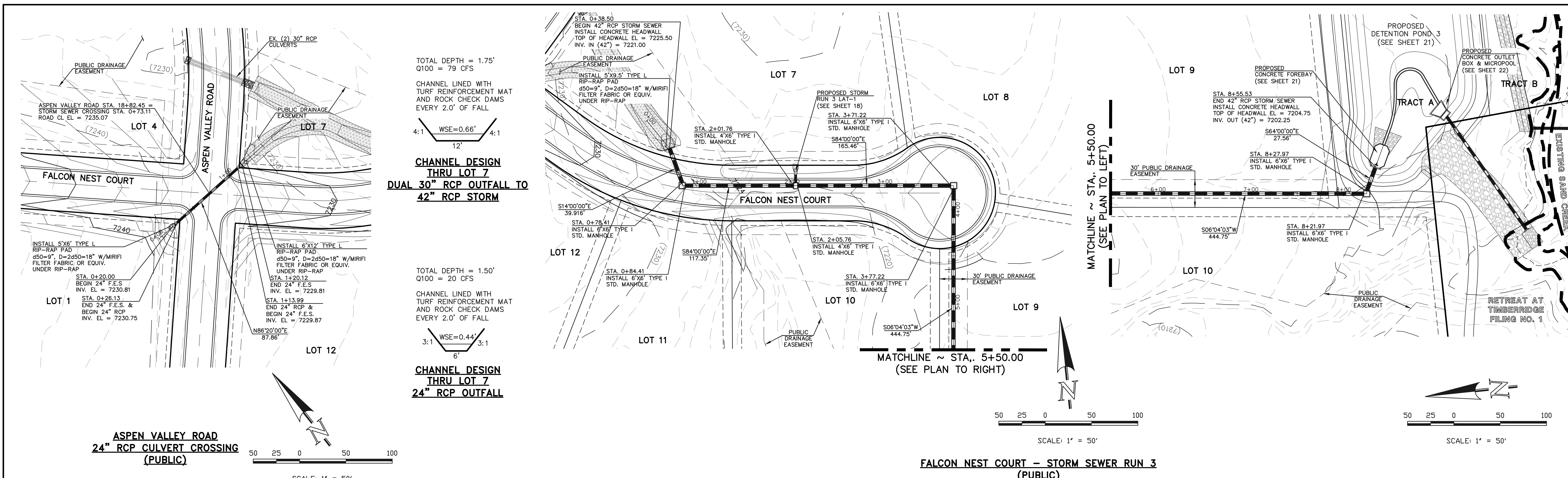
STA 0+00.00
INSTALL 5' TYPE R SUMP INLET
TOB = 7185.81
INV. OUT (18") = 7181.80
CUT = 4.21'

STA 0+06.36
INSTALL 5'x6' TYPE 1 STD. MANHOLE
INV. IN (36") = 7180.33
INV. IN (36") = 7180.83
INV. OUT (30") = 7179.83
CUT = 5.68'

AS-BUILT
11-30-2023

<p>48 HOURS BEFORE YOU DIG, CALL UTILITY LOCATORS</p> <p>811</p> <p>UTILITY NOTIFICATION CENTER OF COLORADO IT'S THE LAW</p> <p><small>THE LOCATIONS OF EXISTING UNDERGROUND UTILITIES ARE SHOWN IN AN APPROXIMATE WAY ONLY. THE CONTRACTOR SHALL DETERMINE THE EXACT LOCATION OF ALL EXISTING UTILITIES BEFORE COMMENCING WORK. THE CONTRACTOR SHALL BE FULLY RESPONSIBLE FOR ANY AND ALL DAMAGES WHICH MIGHT BE CAUSED BY HIS FAILURE TO EXACTLY LOCATE AND PRESERVE ANY AND ALL UNDERGROUND UTILITIES.</small></p>	<table border="1" style="width: 100%; border-collapse: collapse;"> <thead> <tr> <th>NO.</th> <th>REVISION</th> <th>DATE</th> </tr> </thead> <tbody> <tr> <td>1</td> <td>ADJUSTED STORM DESIGN FOR HGL'S</td> <td>2/4/22</td> </tr> </tbody> </table>	NO.	REVISION	DATE	1	ADJUSTED STORM DESIGN FOR HGL'S	2/4/22	<p>REVIEW:</p> <p>PREPARED UNDER MY DIRECT SUPERVISION FOR AND ON BEHALF OF CLASSIC CONSULTING, ENGINEERS AND SURVEYORS, LLC</p> <div style="text-align: center;">  <p>MARC A. WHORTON #37155</p> </div> <p>3/23/2022 DATE</p>	 <p>CLASSIC CONSULTING</p>	<p>RETREAT AT TIMBERIDGE FILING NO. 2 CONSTRUCTION PLANS PUBLIC STORM SEWER PLAN</p> <table border="1" style="width: 100%; border-collapse: collapse;"> <tr> <td>DESIGNED BY</td> <td>PRA</td> <td>SCALE</td> <td>DATE</td> <td>02-25-21</td> </tr> <tr> <td>DRAWN BY</td> <td>PRA</td> <td>(H) 1" = 50'</td> <td>SHEET</td> <td>16 OF 24</td> </tr> <tr> <td>CHECKED BY</td> <td>(V) 1" = 5'</td> <td>JOB NO.</td> <td colspan="2">1185.20</td> </tr> </table>	DESIGNED BY	PRA	SCALE	DATE	02-25-21	DRAWN BY	PRA	(H) 1" = 50'	SHEET	16 OF 24	CHECKED BY	(V) 1" = 5'	JOB NO.	1185.20	
NO.	REVISION	DATE																							
1	ADJUSTED STORM DESIGN FOR HGL'S	2/4/22																							
DESIGNED BY	PRA	SCALE	DATE	02-25-21																					
DRAWN BY	PRA	(H) 1" = 50'	SHEET	16 OF 24																					
CHECKED BY	(V) 1" = 5'	JOB NO.	1185.20																						

N:\118520\DRAWINGS\CONSTRUCTION\118520-03.dwg - STM - 03.dwg - 2/6/2022 2:35:54 PM, 1:1



**ASPEN VALLEY ROAD
24" RCP CULVERT CROSSING
(PUBLIC)**

SCALE: 1" = 50'

**48 HOURS BEFORE YOU DIG,
CALL UTILITY LOCATORS
811**

UTILITY NOTIFICATION CENTER OF COLORADO
IT'S THE LAW

THE LOCATIONS OF EXISTING UNDERGROUND UTILITIES ARE SHOWN IN AN APPROXIMATE WAY ONLY. THE CONTRACTOR SHALL DETERMINE THE EXACT LOCATION OF ALL EXISTING UTILITIES BEFORE COMMENCING WORK. THE CONTRACTOR SHALL BE FULLY RESPONSIBLE FOR ANY AND ALL DAMAGES WHICH MIGHT BE CAUSED BY HIS FAILURE TO EXACTLY LOCATE AND PRESERVE ANY AND ALL UNDERGROUND UTILITIES.

NO.	REVISION	DATE
1	ADDED STORM SEWER SYSTEM AND RELOCATED POND 3	09-16-21
2	REVISED PER COUNTY COMMENTS	2/4/22

**FALCON NEST COURT - STORM SEWER RUN 3
(PUBLIC)**

SCALE: 1" = 50'

REVIEW: PREPARED UNDER MY DIRECT SUPERVISION FOR AND ON BEHALF OF CLASSIC CONSULTING ENGINEERS AND SURVEYORS, LLC

MARC A. WHORTON, P.E. #37155

3/23/2022

CLASSIC CONSULTING

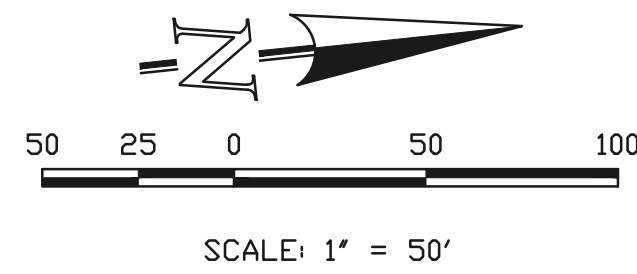
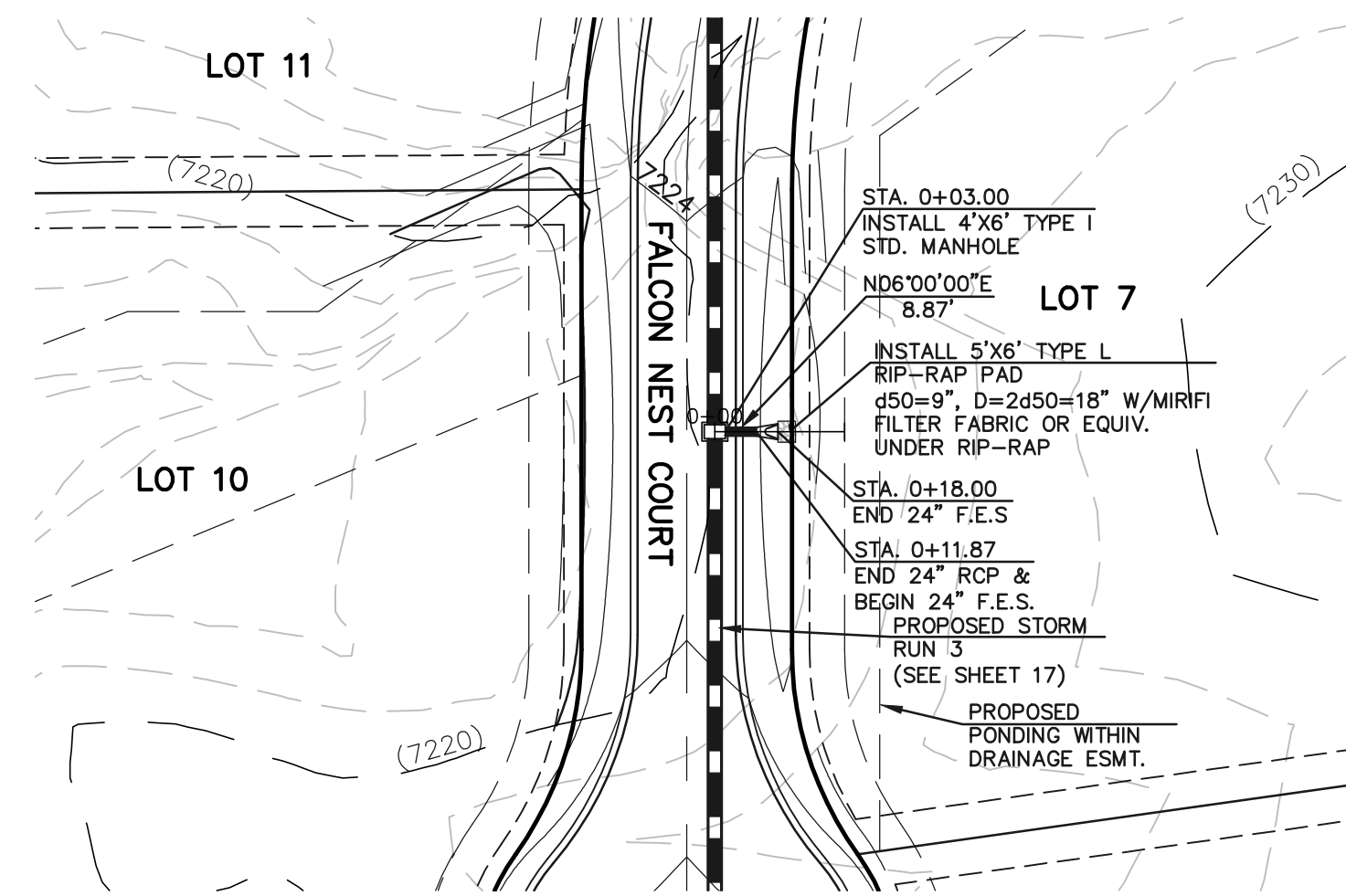
619 N. Cascade Avenue, Suite 200
Colorado Springs, Colorado 80903

(719)785-0790
(719)785-0799(Fax)

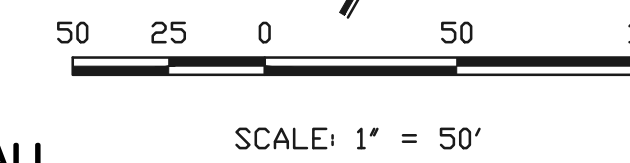
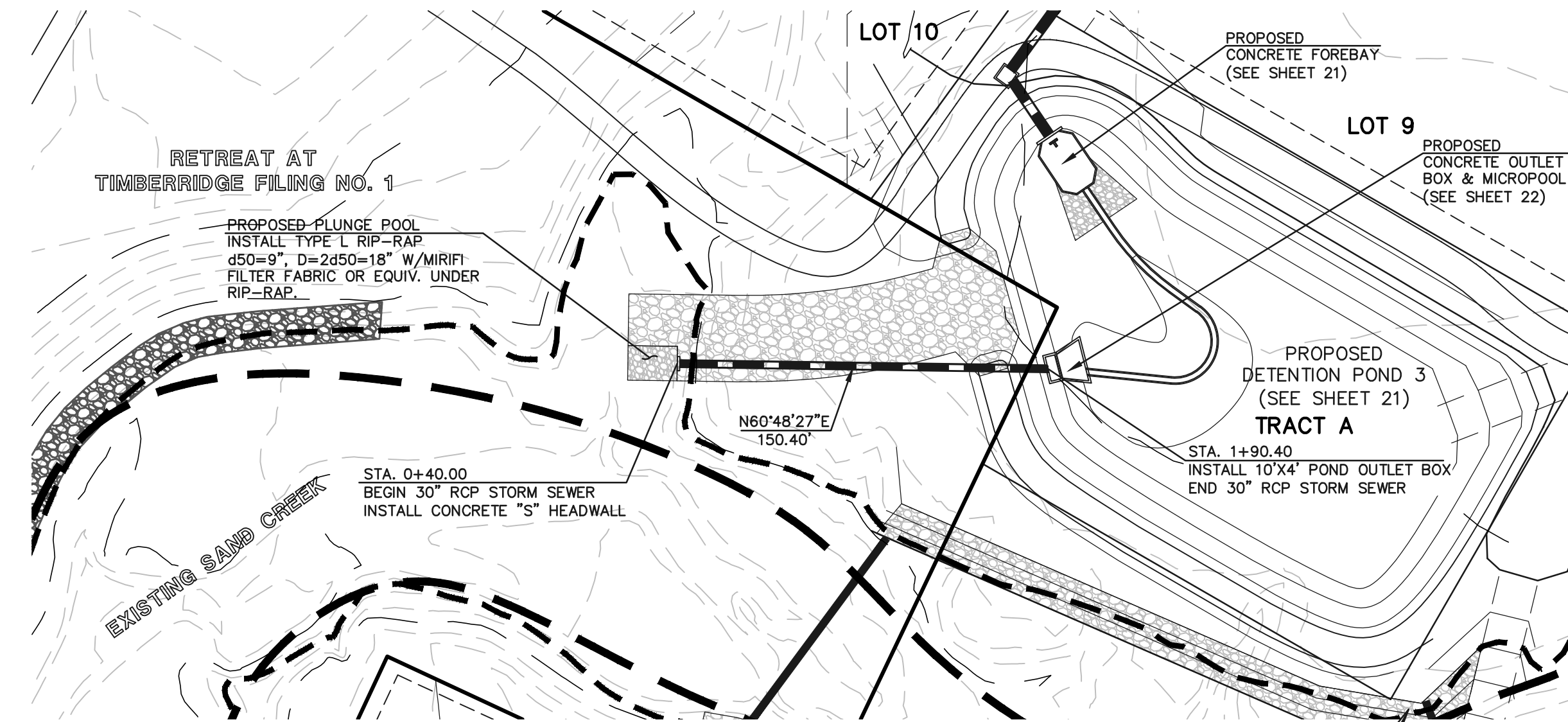
RETREAT AT TIMBERIDGE FILING NO. 2
CONSTRUCTION PLANS
PUBLIC STORM SEWER PLAN

DESIGNED BY	PRA	SCALE	DATE
DRAWN BY	PRA	(H) 1" = 50'	04-01-21
CHECKED BY	(V) 1" = 5'	SHEET	17 OF 24
		JOB NO.	1185.20

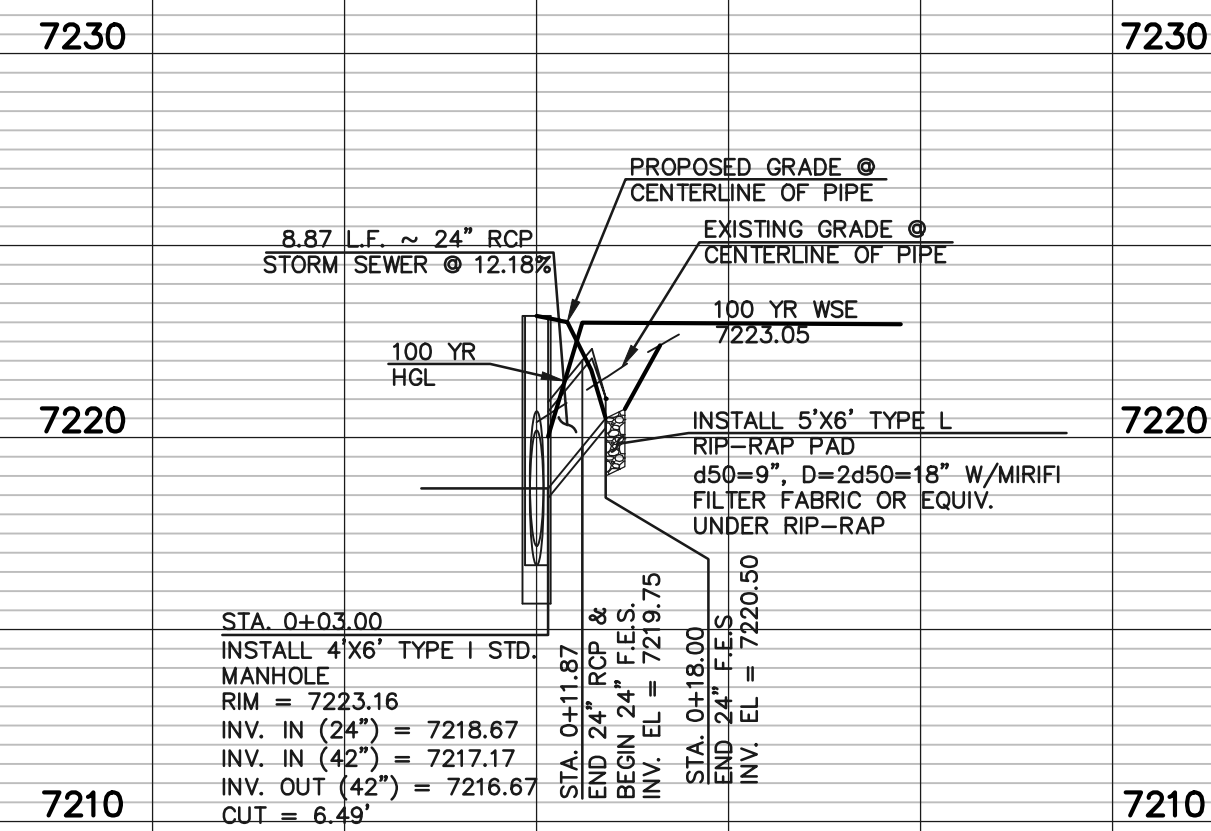
N:\118520\DRAWINGS\CONSTRUCTION\17-118520-STW-04.dwg - 2/6/2022 4:06:32 PM, 1:1



FALCON NEST COURT - STORM SEWER RUN 3 - LATERAL 1 (PUBLIC)

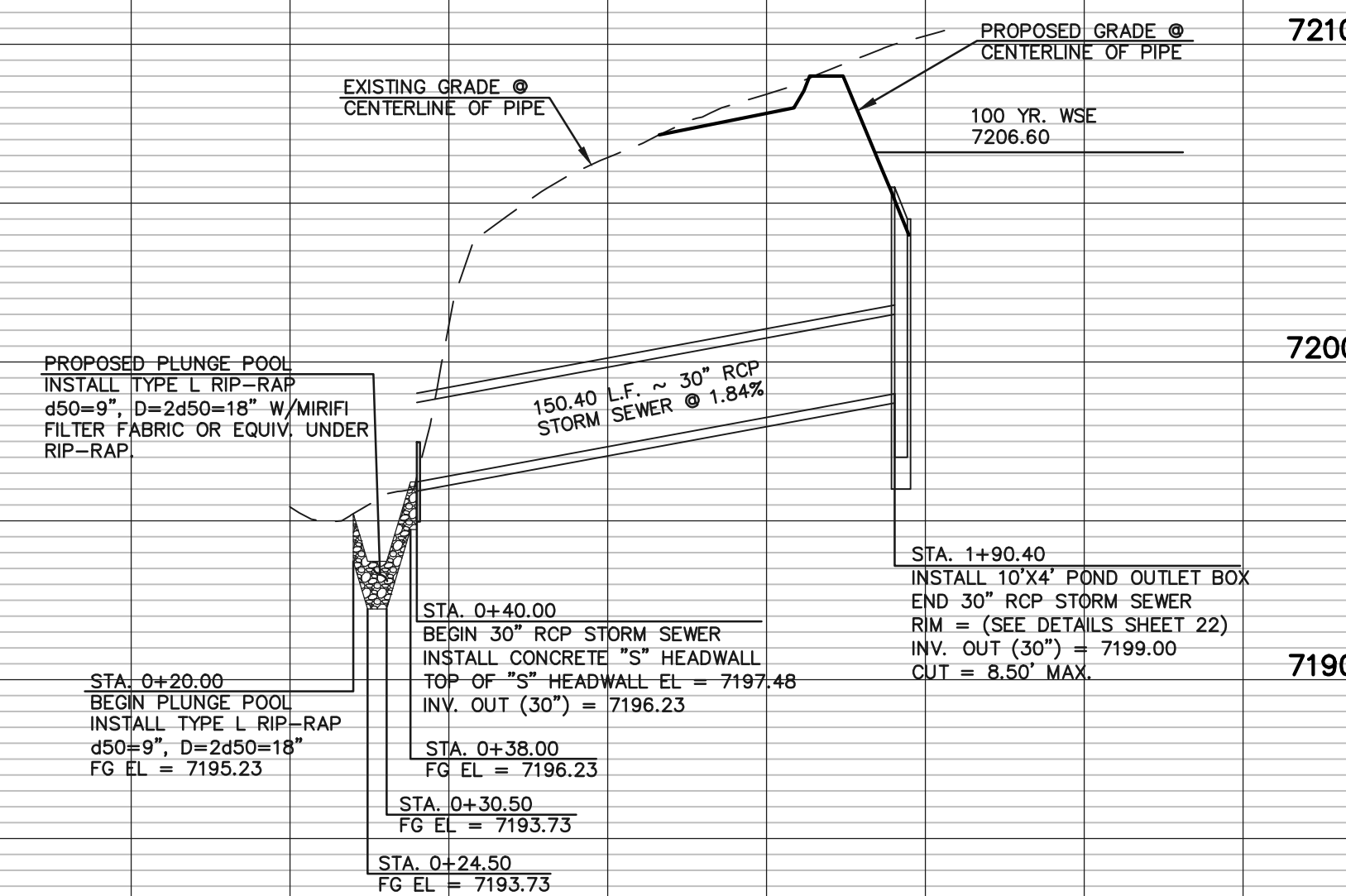


DETENTION POND 3 STORM SEWER OUTFALL (PUBLIC)



FALCON NEST COURT - STORM SEWER RUN 3 - LATERAL 1 (PUBLIC)

0+00



DETENTION POND 3 STORM SEWER OUTFALL (PUBLIC)

0+00

1+00

2+00

AS-BUILT
11-30-2023

EPC 6/24/22

48 HOURS BEFORE YOU DIG,
CALL UTILITY LOCATORS
811
UTILITY NOTIFICATION CENTER OF COLORADO
IT'S THE LAW

THE LOCATIONS OF EXISTING UNDERGROUND UTILITIES ARE SHOWN IN AN APPROXIMATE WAY ONLY. THE CONTRACTOR SHALL DETERMINE THE EXACT LOCATION OF ALL EXISTING UTILITIES BEFORE COMMENCING WORK. THE CONTRACTOR SHALL BE FULLY RESPONSIBLE FOR ANY AND ALL DAMAGES WHICH MIGHT BE CAUSED BY HIS FAILURE TO EXACTLY LOCATE AND PRESERVE ANY AND ALL UNDERGROUND UTILITIES.

NO.	REVISION	DATE
1	REVISED PER COUNTY COMMENTS	2/4/22

REVIEW:
PREPARED UNDER MY DIRECT SUPERVISION FOR AND ON BEHALF OF CLASSIC CONSULTING ENGINEERS AND SURVEYORS, LLC

MARC A. WHORTON
REGISTERED PROFESSIONAL ENGINEER
#37155

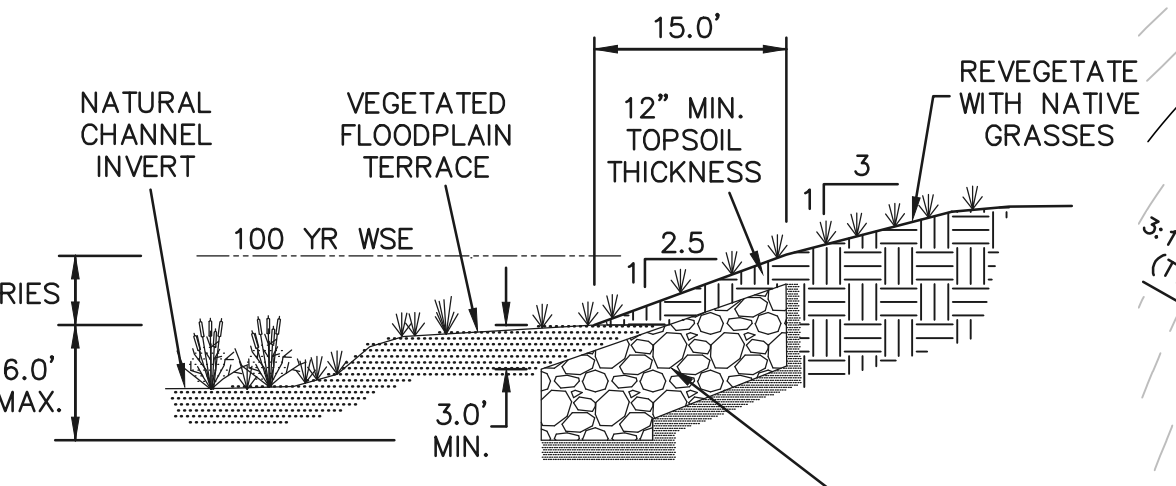
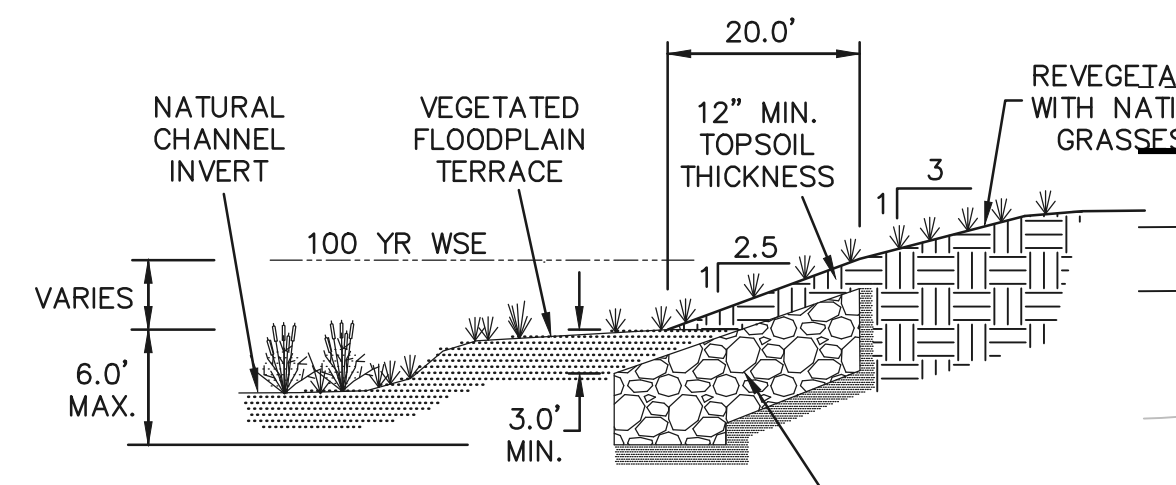
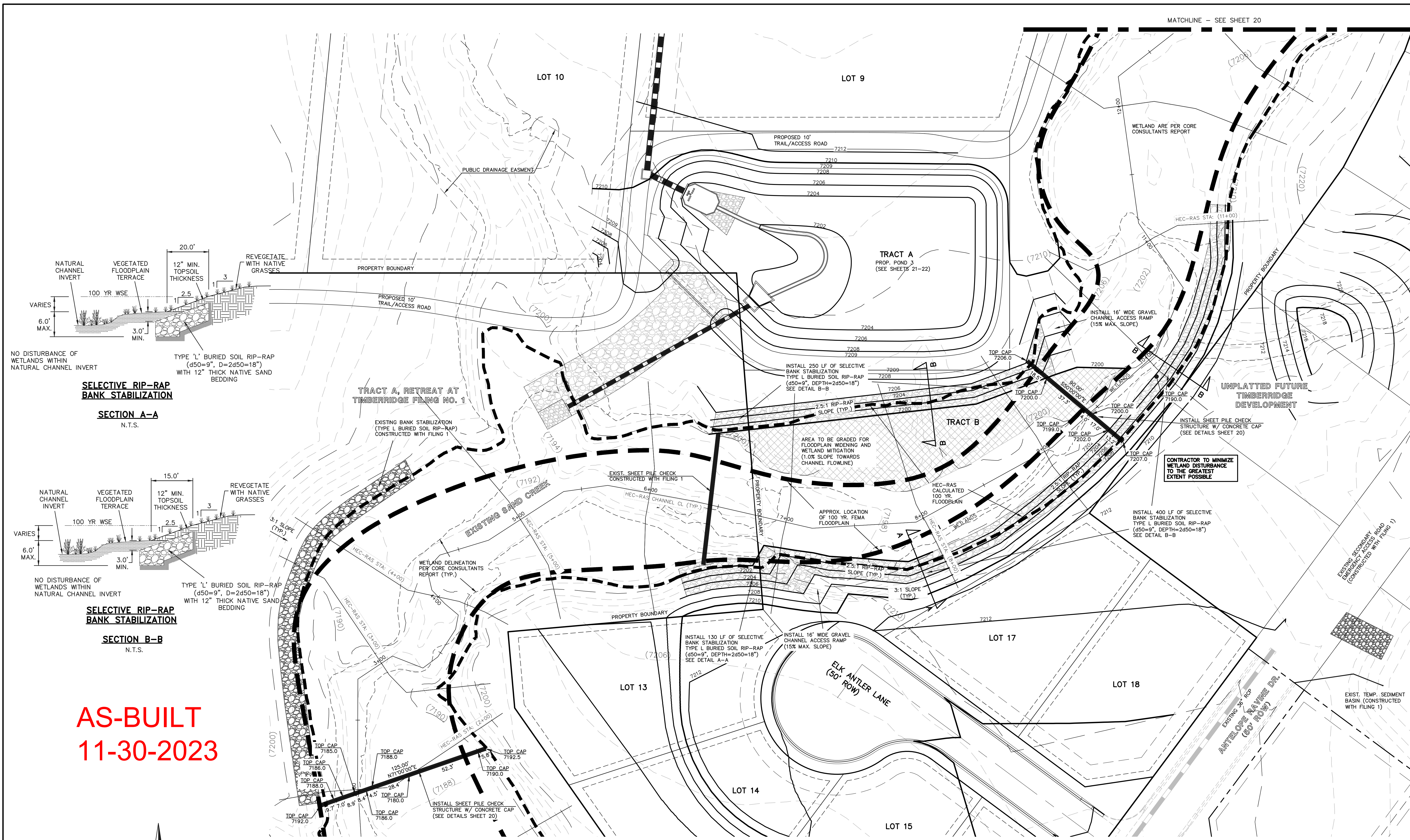
3/23/2022
DATE

CLASSIC CONSULTING
619 N. Cascade Avenue, Suite 200
Colorado Springs, Colorado 80903
(719) 785-0790
(719) 785-0799 (Fax)

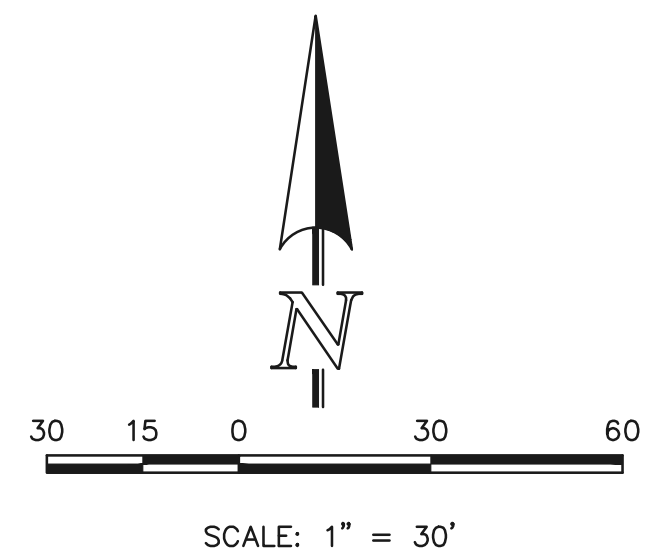
RETREAT AT TIMBERIDGE FILING NO. 2 CONSTRUCTION PLANS STORM SEWER PLAN			
DESIGNED BY	PRA	SCALE	DATE 04-01-21
DRAWN BY	PRA	(H) 1" = 50'	SHEET 18 OF 24
CHECKED BY	(V) 1" = 5'	JOB NO.	1185.20



N:\118520\DRAWINGS\CONSTRUCTION\118520-STM-05.dwg - 2/6/2022 4:35:45 PM, 1:1



AS-BUILT
11-30-2023



SEE RETREAT AT TIMBERRIDGE FILING NO. 2 GRADING AND EROSION CONTROL PLAN FOR EROSION CONTROL DETAILS.

48 HOURS BEFORE YOU DIG, CALL UTILITY LOCATORS
811
UTILITY NOTIFICATION CENTER OF COLORADO
IT'S THE LAW

THE LOCATIONS OF EXISTING UNDERGROUND UTILITIES ARE SHOWN IN AN APPROXIMATE WAY ONLY. THE CONTRACTOR SHALL DETERMINE THE EXACT LOCATION OF ALL EXISTING UTILITIES BEFORE COMMENCING WORK. THE CONTRACTOR SHALL BE FULLY RESPONSIBLE FOR ANY AND ALL DAMAGES WHICH MIGHT BE CAUSED BY HIS FAILURE TO EXACTLY LOCATE AND PRESERVE ANY AND ALL UNDERGROUND UTILITIES.

NO.	REVISION	DATE
1	REVISED PER COUNTY COMMENTS	2/7/22
2	REVISED PER COUNTY COMMENTS	3/18/22
3	ADDED EAST SIDE CHANNEL ACCESS RAMPS	5/18/22

REVIEW:
PREPARED UNDER MY DIRECT SUPERVISION FOR AND ON BEHALF OF CLASSIC CONSULTING ENGINEERING AND SURVEYORS, LLC

MARC A. WHORTON, COLORADO REGISTERED PROFESSIONAL ENGINEER #37155

5/19/2022
DATE

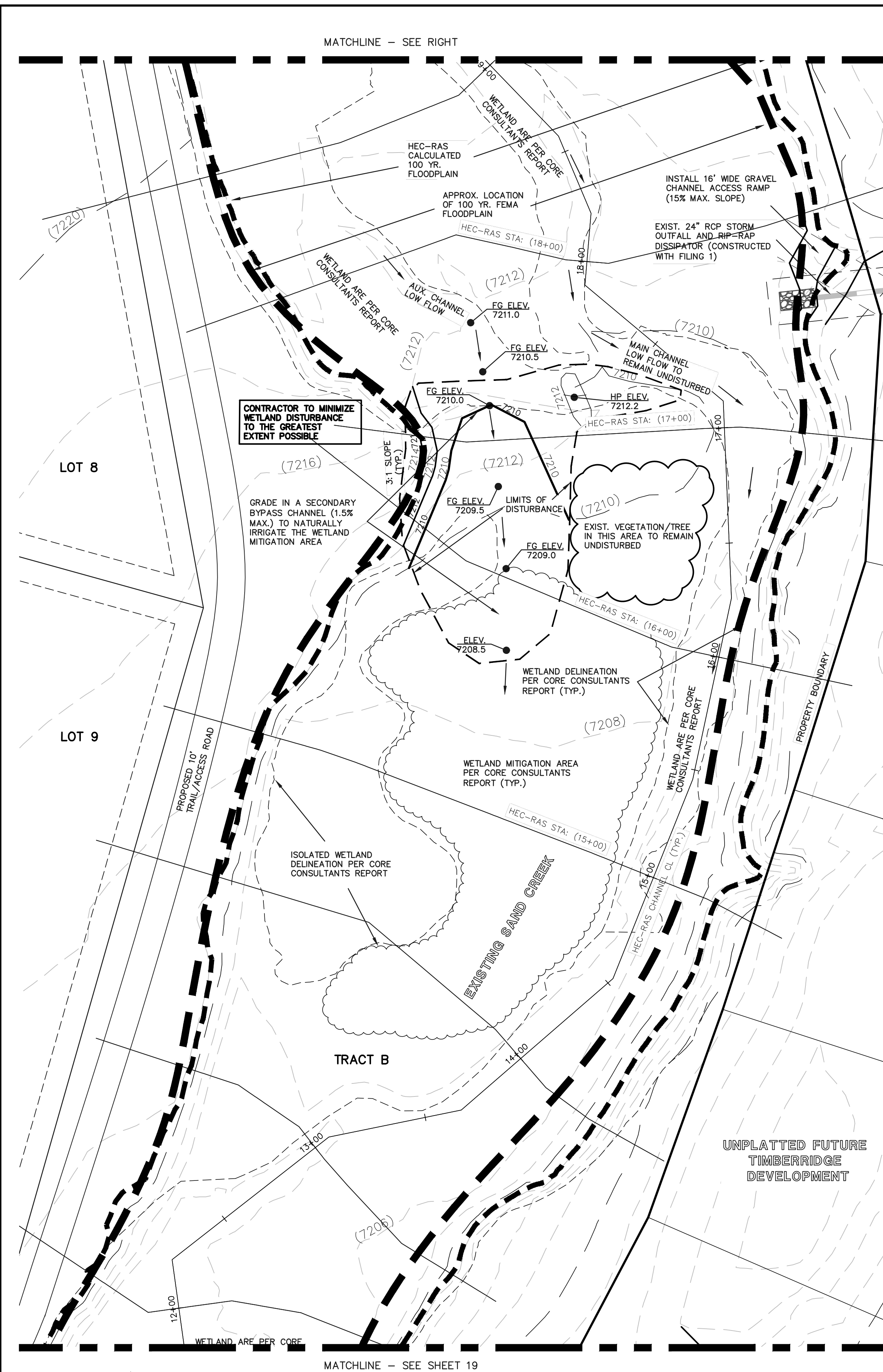
CLASSIC CONSULTING

619 N. Cascade Avenue, Suite 200
Colorado Springs, Colorado 80903

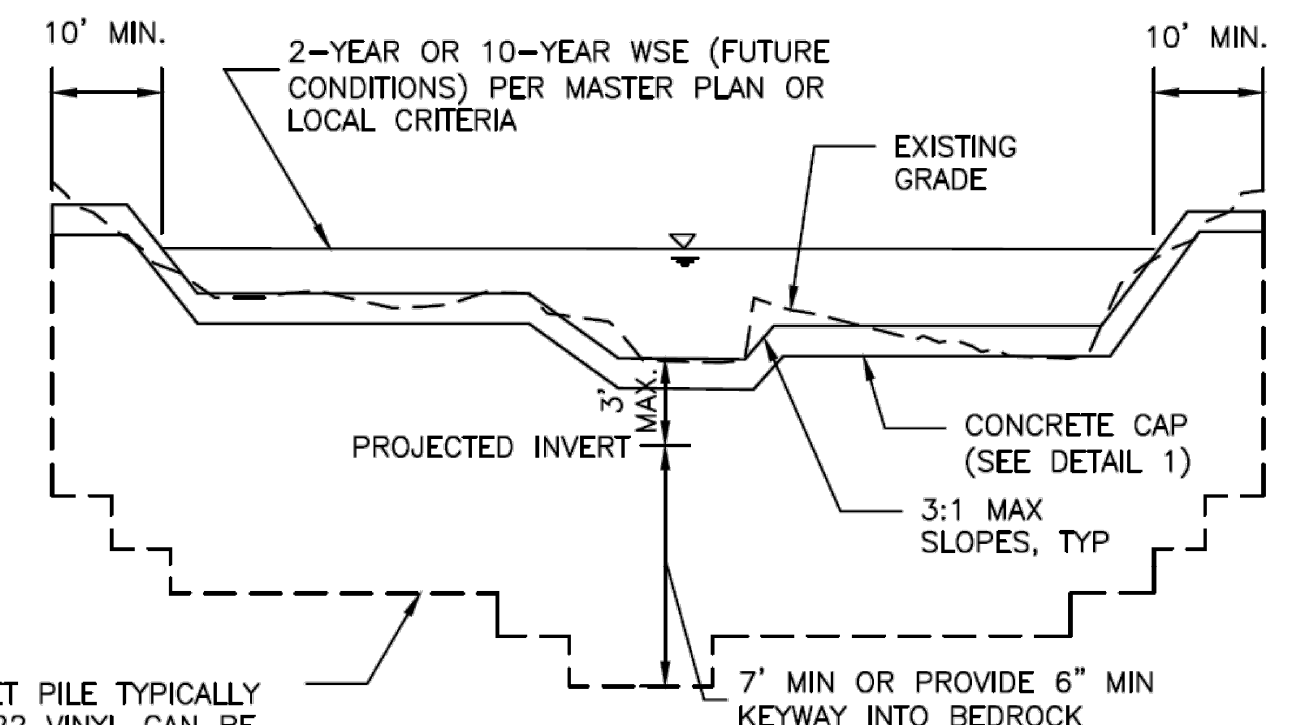
(719) 785-0790
(719) 785-0799 (Fax)

RETREAT AT TIMBERRIDGE FILING NO. 2
CONSTRUCTION PLANS
CHECK STRUCTURES AND
SELECTIVE BANK STABILIZATION

DESIGNED BY MAW SCALE DATE 4-5-21
DRAWN BY MAW (H) 1"= 30' SHEET 19 OF 24
CHECKED BY (V) 1"= N/A JOB NO. 1185.20

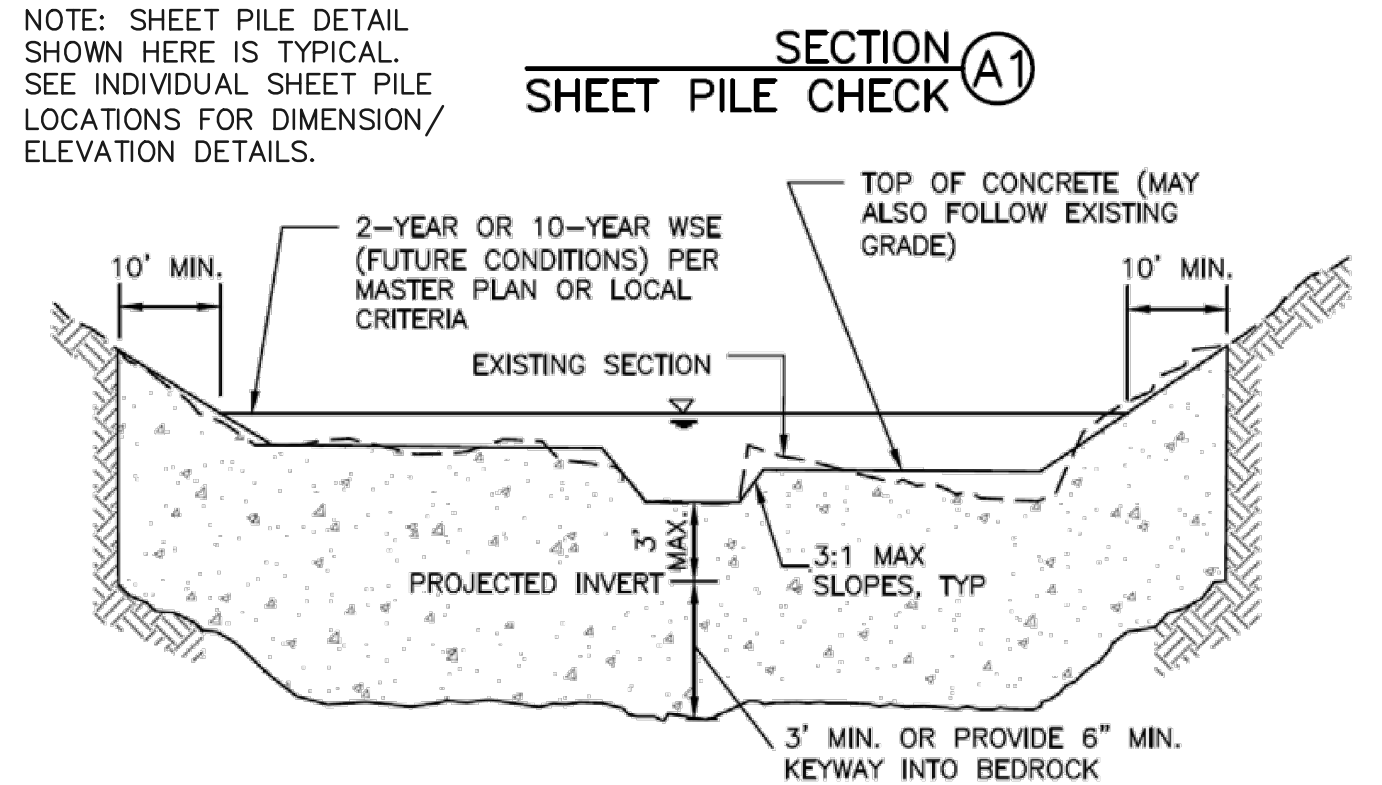


WETLAND MITIGATION AREA



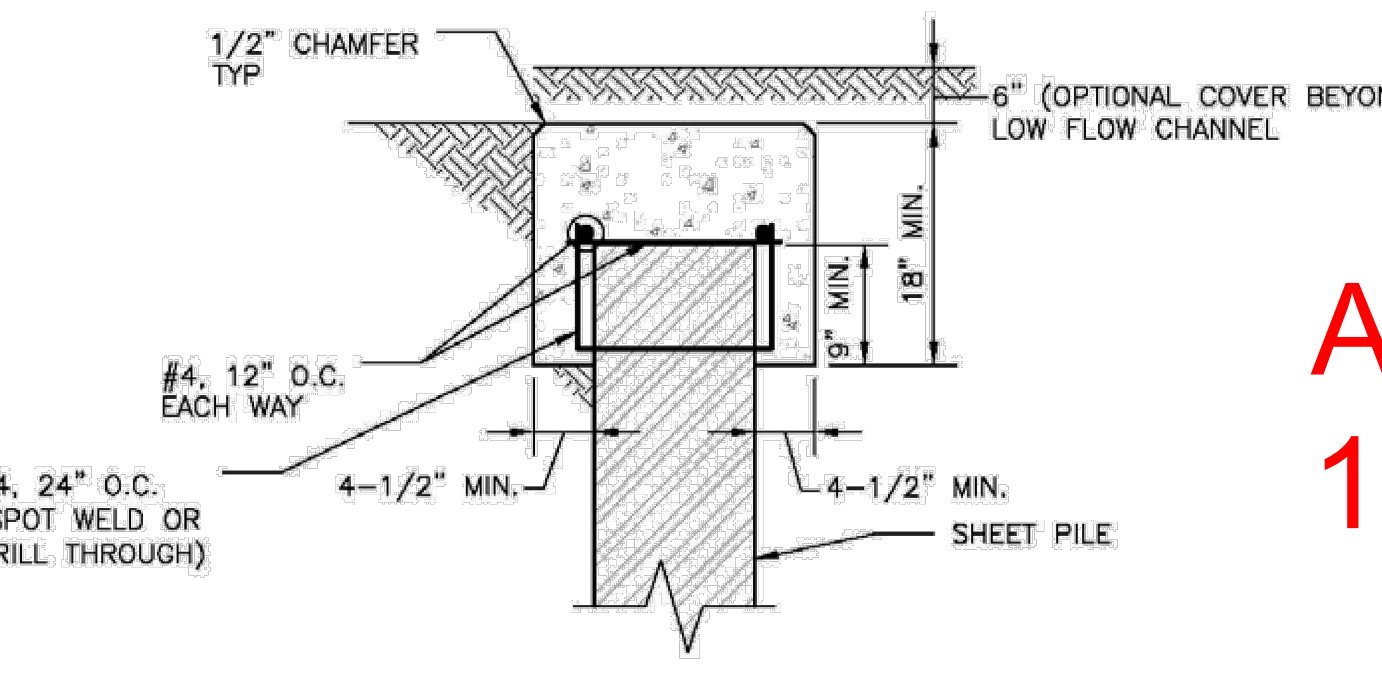
NOTE: THE STRUCTURE MAY BE COVERED WITH 6" OF SOIL OUTSIDE OF THE LOW FLOW AREA.

NOTE: SHEET PILE DETAIL SHOWN HERE IS TYPICAL. SEE INDIVIDUAL SHEET PILE LOCATIONS FOR DIMENSION/ELEVATION DETAILS.



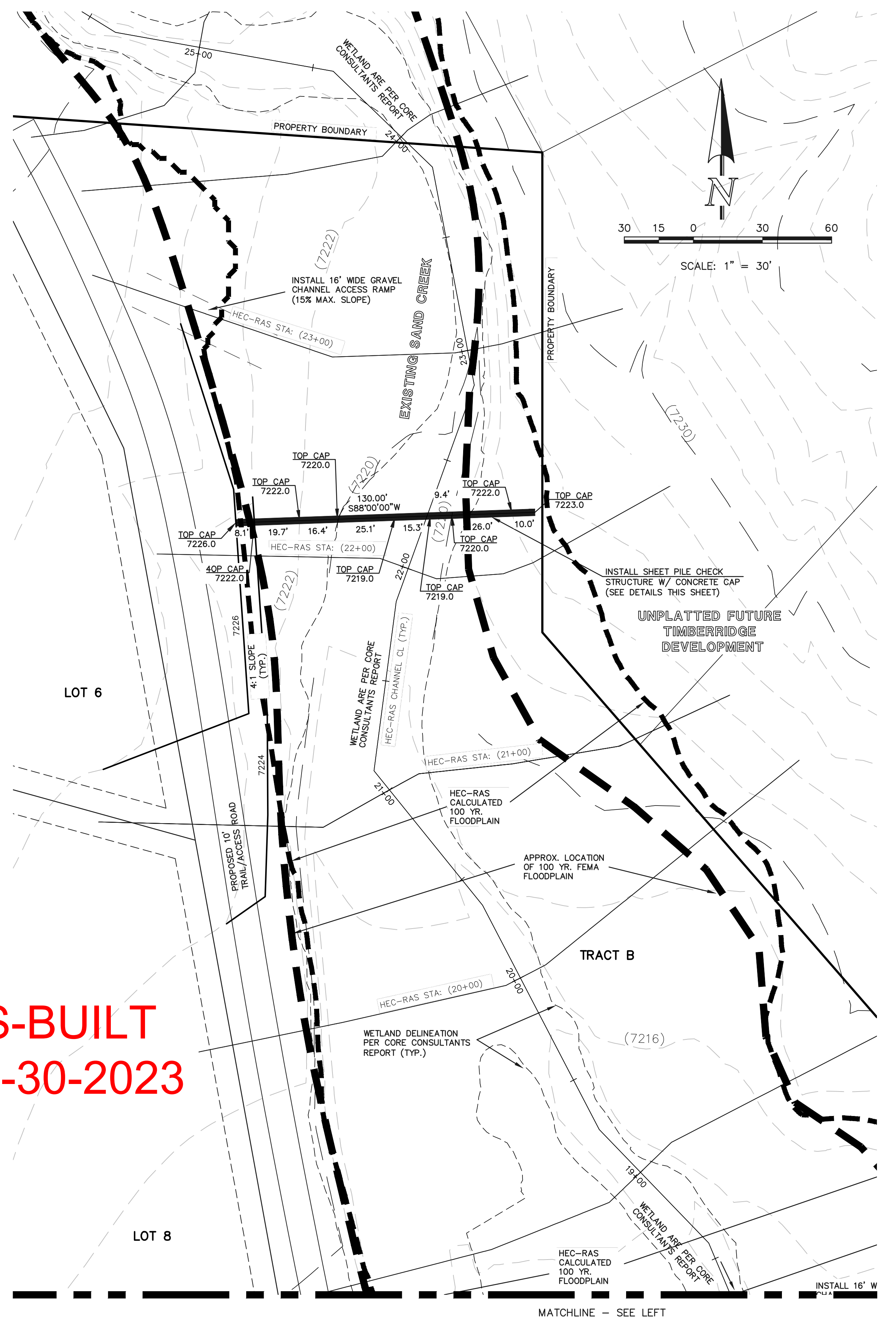
NOTES: 1. TRENCH IN UNDISTURBED SOIL FORM TOP 6" OF CHECK. DO NOT OVER EXCAVATE TO FORM WALLS OR CONSTRUCT A FOOTING.
2. THE STRUCTURE MAY BE COVERED WITH 6" OF SOIL OUTSIDE OF THE LOW FLOW AREA.
3. VIBRATE CONCRETE INTO TRENCH.

Figure 9-27. Check structure details (Part 2 of 3)



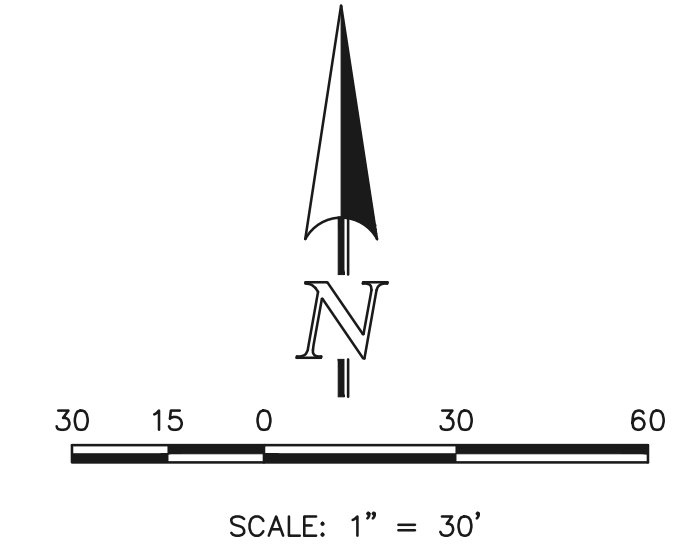
DETAIL 1
CONCRETE SHEET PILE CAP

Figure 9-28. Check structure details (Part 3 of 3)



CHECK STRUCTURE #3 & NORTH CHANNEL ACCESS RAMP

AS-BUILT
11-30-2023



48 HOURS BEFORE YOU DIG,
CALL UTILITY LOCATORS
811
UTILITY NOTIFICATION CENTER OF COLORADO
IT'S THE LAW

THE LOCATIONS OF EXISTING UNDERGROUND UTILITIES ARE SHOWN IN AN APPROXIMATE WAY ONLY. THE CONTRACTOR SHALL DETERMINE THE EXACT LOCATION OF ALL EXISTING UTILITIES BEFORE COMMENCING WORK. THE CONTRACTOR SHALL BE FULLY RESPONSIBLE FOR ANY AND ALL DAMAGES WHICH MIGHT BE CAUSED BY HIS FAILURE TO EXACTLY LOCATE AND PRESERVE ANY AND ALL UNDERGROUND UTILITIES.

NO.	REVISION	DATE
1	REVISED PER COUNTY COMMENTS	2/7/22
2	REVISED PER COUNTY COMMENTS	3/18/22
3	ADDED EAST SIDE CHANNEL ACCESS RAMPS	5/18/22

REVIEW:
PREPARED UNDER MY DIRECT SUPERVISION FOR AND ON BEHALF OF
CLASSIC CONSULTING ENGINEERS AND SURVEYORS, LLC

MARC A. WHORTON, P.E. #37155

5/19/2022 DATE

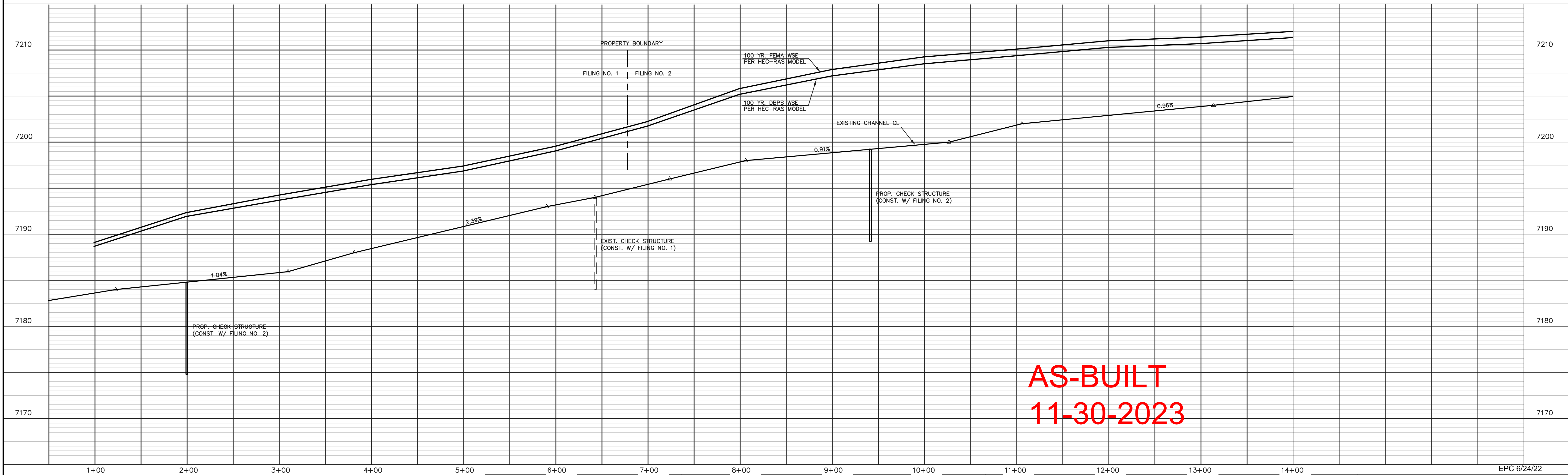
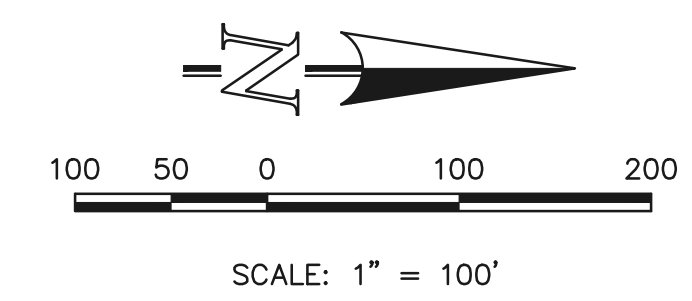
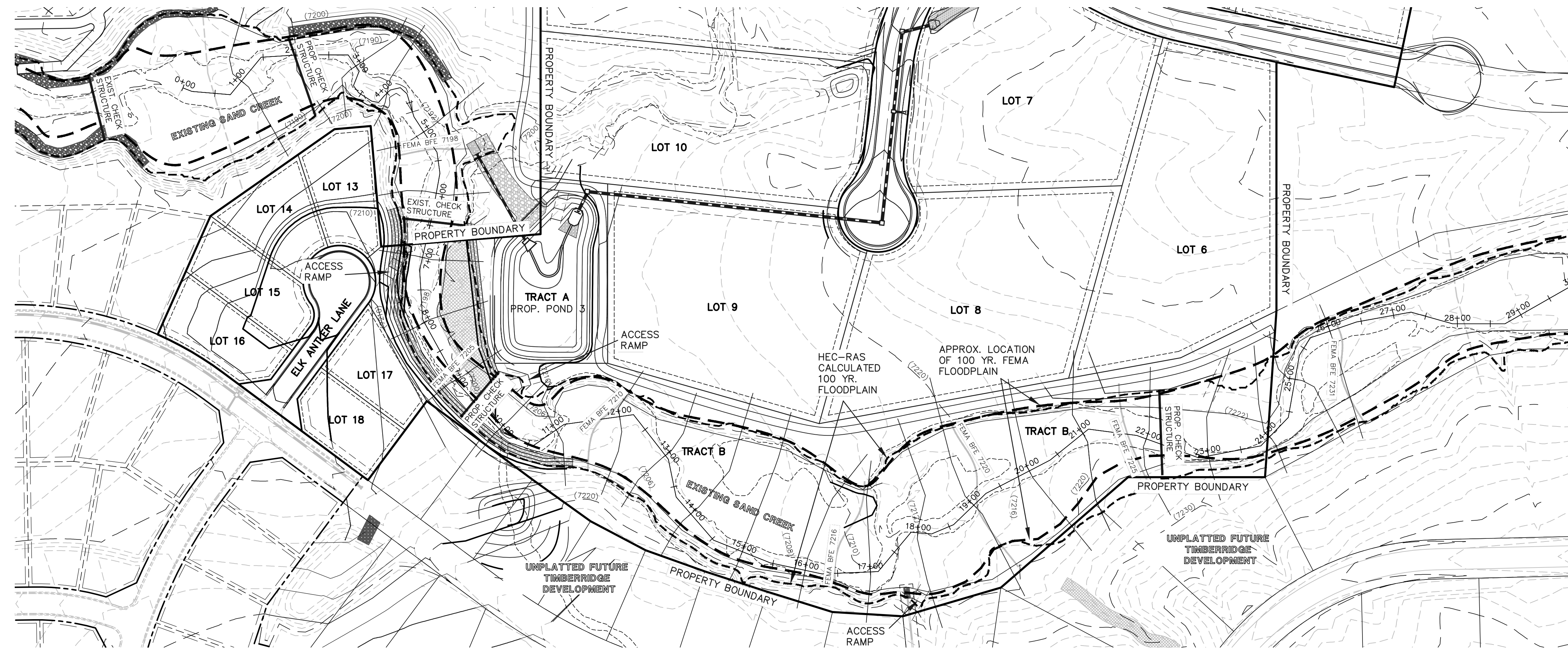
CLASSIC CONSULTING

619 N. Cascade Avenue, Suite 200
Colorado Springs, Colorado 80903

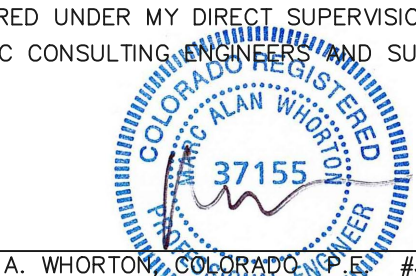

(719) 785-0790
(719) 785-0799 (Fax)

RETREAT AT TIMBERIDGE FILING NO. 2
CONSTRUCTION PLANS
CHECK STRUCTURES AND
WETLAND MITIGATION AREA

DESIGNED BY	MAW	SCALE	DATE	4-15-21
DRAWN BY	MAW	(H) 1" = 30'	SHEET	20 OF 24
CHECKED BY		(V) 1" = N/A	JOB NO.	1185.20

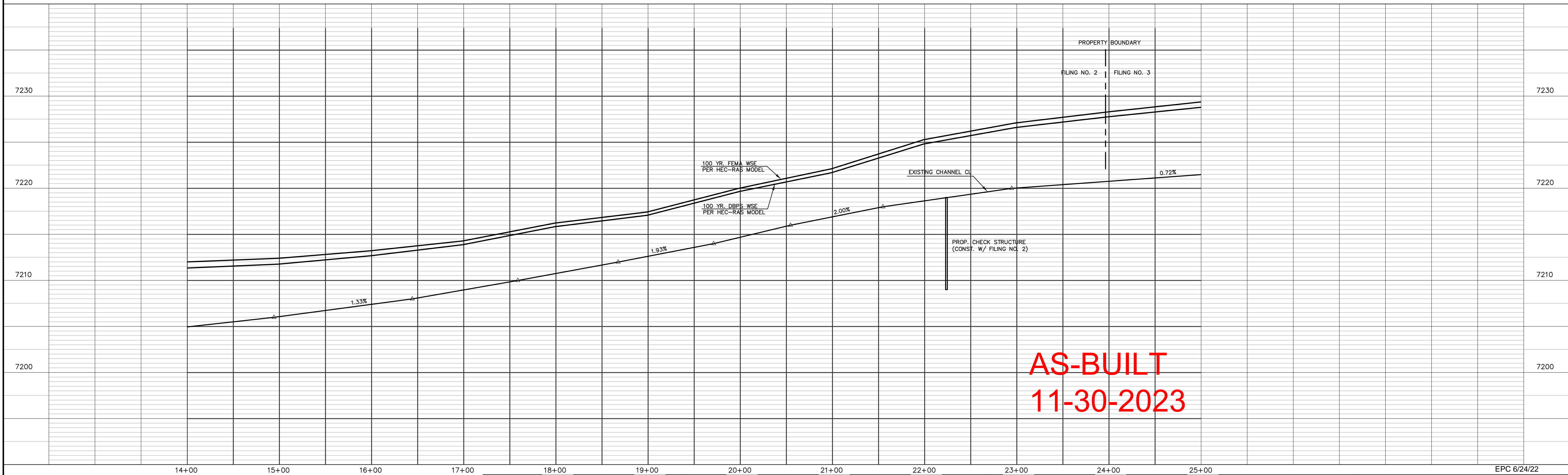
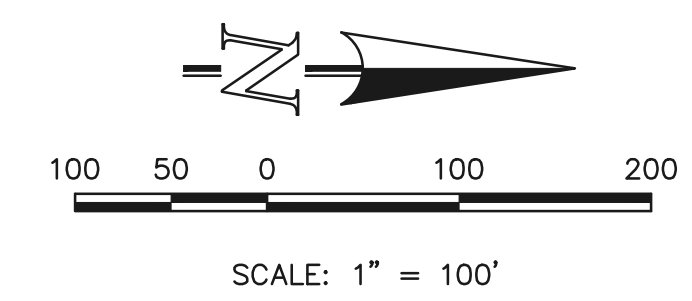
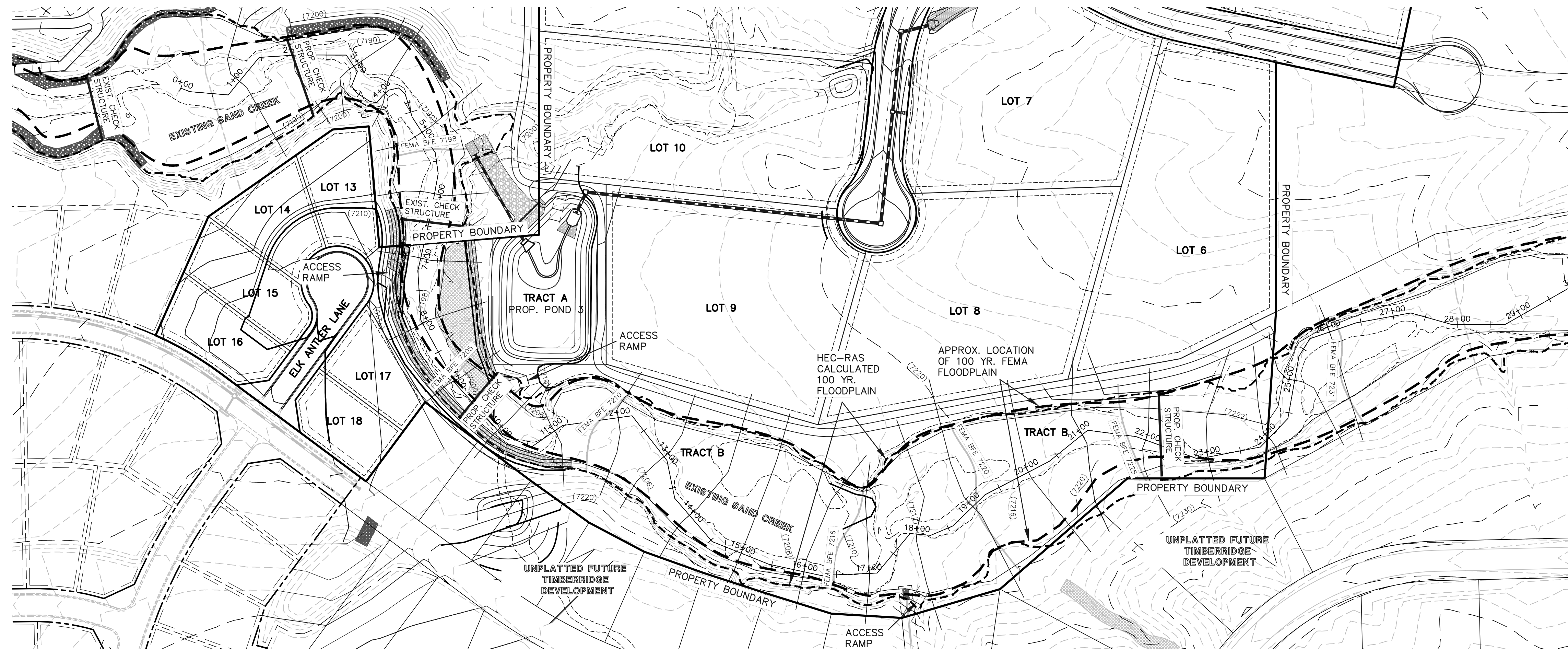


AS-BUILT
11-30-2023

<p style="text-align: center;">48 HOURS BEFORE YOU DIG, CALL UTILITY LOCATORS 811</p> <p style="text-align: center;">UTILITY NOTIFICATION CENTER OF COLORADO IT'S THE LAW</p> <p style="font-size: small;">THE LOCATIONS OF EXISTING UNDERGROUND UTILITIES ARE SHOWN IN AN APPROXIMATE WAY ONLY. THE CONTRACTOR SHALL DETERMINE THE EXACT LOCATION OF ALL EXISTING UTILITIES BEFORE COMMENCING WORK. THE CONTRACTOR SHALL BE FULLY RESPONSIBLE FOR ANY AND ALL DAMAGES WHICH MIGHT BE CAUSED BY HIS FAILURE TO EXACTLY LOCATE AND PRESERVE ANY AND ALL UNDERGROUND UTILITIES.</p>	<table border="1" style="width:100%; border-collapse: collapse;"> <thead> <tr> <th style="font-size: x-small;">NO.</th> <th style="font-size: x-small;">REVISION</th> <th style="font-size: x-small;">DATE</th> </tr> </thead> <tbody> <tr> <td style="text-align: center;">1</td> <td>ADDED EAST SIDE CHANNEL ACCESS RAMPS</td> <td style="text-align: center;">5/18/22</td> </tr> </tbody> </table>	NO.	REVISION	DATE	1	ADDED EAST SIDE CHANNEL ACCESS RAMPS	5/18/22	<p>REVIEW:</p> <p style="font-size: x-small;">PREPARED UNDER MY DIRECT SUPERVISION FOR AND ON BEHALF OF CLASSIC CONSULTING ENGINEERS AND SURVEYORS, LLC</p> <div style="text-align: center;">  <p style="font-size: x-small;">MARC A. WHORTON, P.E. #37155</p> </div> <p style="text-align: right;">5/19/2022 DATE</p>	<div style="text-align: center;">  <p>CLASSIC CONSULTING</p> </div> <p style="font-size: x-small;">619 N. Cascade Avenue, Suite 200 Colorado Springs, Colorado 80903</p> <p style="font-size: x-small;">(719) 785-0790 (719) 785-0799 (Fax)</p>	<p>RETREAT AT TIMBERRIDGE FILING NO. 2</p> <p>CONSTRUCTION PLANS</p> <p>HEC-RAS ANALYSIS CHANNEL CL PROFILE (STA: 1+00 - 14+00)</p> <table border="1" style="width:100%; border-collapse: collapse; font-size: x-small;"> <tr> <td>DESIGNED BY</td> <td>MAW</td> <td>SCALE</td> <td>DATE</td> <td>10-25-21</td> </tr> <tr> <td>DRAWN BY</td> <td>MAW</td> <td>(H) 1" = 50'</td> <td>SHEET</td> <td>20A OF 24</td> </tr> <tr> <td>CHECKED BY</td> <td>(V) 1" = N/A</td> <td>JOB NO.</td> <td colspan="2">1185.20</td> </tr> </table>	DESIGNED BY	MAW	SCALE	DATE	10-25-21	DRAWN BY	MAW	(H) 1" = 50'	SHEET	20A OF 24	CHECKED BY	(V) 1" = N/A	JOB NO.	1185.20	
NO.	REVISION	DATE																							
1	ADDED EAST SIDE CHANNEL ACCESS RAMPS	5/18/22																							
DESIGNED BY	MAW	SCALE	DATE	10-25-21																					
DRAWN BY	MAW	(H) 1" = 50'	SHEET	20A OF 24																					
CHECKED BY	(V) 1" = N/A	JOB NO.	1185.20																						

EPC 6/24/22

N:\118520\DRAWINGS\CONSTRUCTION\19-20_118520-CHANNEL-profile.dwg, 5/19/2022, 8:25:49 AM, 1:1



AS-BUILT
11-30-2023

14+00 15+00 16+00 17+00 18+00 19+00 20+00 21+00 22+00 23+00 24+00 25+00

EPC 6/24/22

48 HOURS BEFORE YOU DIG,
CALL UTILITY LOCATORS
811
UTILITY NOTIFICATION CENTER OF COLORADO
IT'S THE LAW

THE LOCATIONS OF EXISTING UNDERGROUND UTILITIES ARE SHOWN IN AN APPROXIMATE WAY ONLY. THE CONTRACTOR SHALL DETERMINE THE EXACT LOCATION OF ALL EXISTING UTILITIES BEFORE COMMENCING WORK. THE CONTRACTOR SHALL BE FULLY RESPONSIBLE FOR ANY AND ALL DAMAGES WHICH MIGHT BE CAUSED BY HIS FAILURE TO EXACTLY LOCATE AND PRESERVE ANY AND ALL UNDERGROUND UTILITIES.

NO.	REVISION	DATE
1	ADDED EAST SIDE CHANNEL ACCESS RAMPS	5/18/22

REVIEW:
PREPARED UNDER MY DIRECT SUPERVISION FOR AND ON BEHALF OF CLASSIC CONSULTING ENGINEERS AND SURVEYORS, LLC

MARC A. WHORTON, REGISTERED PROFESSIONAL ENGINEER
#37155

5/19/2022
DATE

619 N. Cascade Avenue, Suite 200
Colorado Springs, Colorado 80903

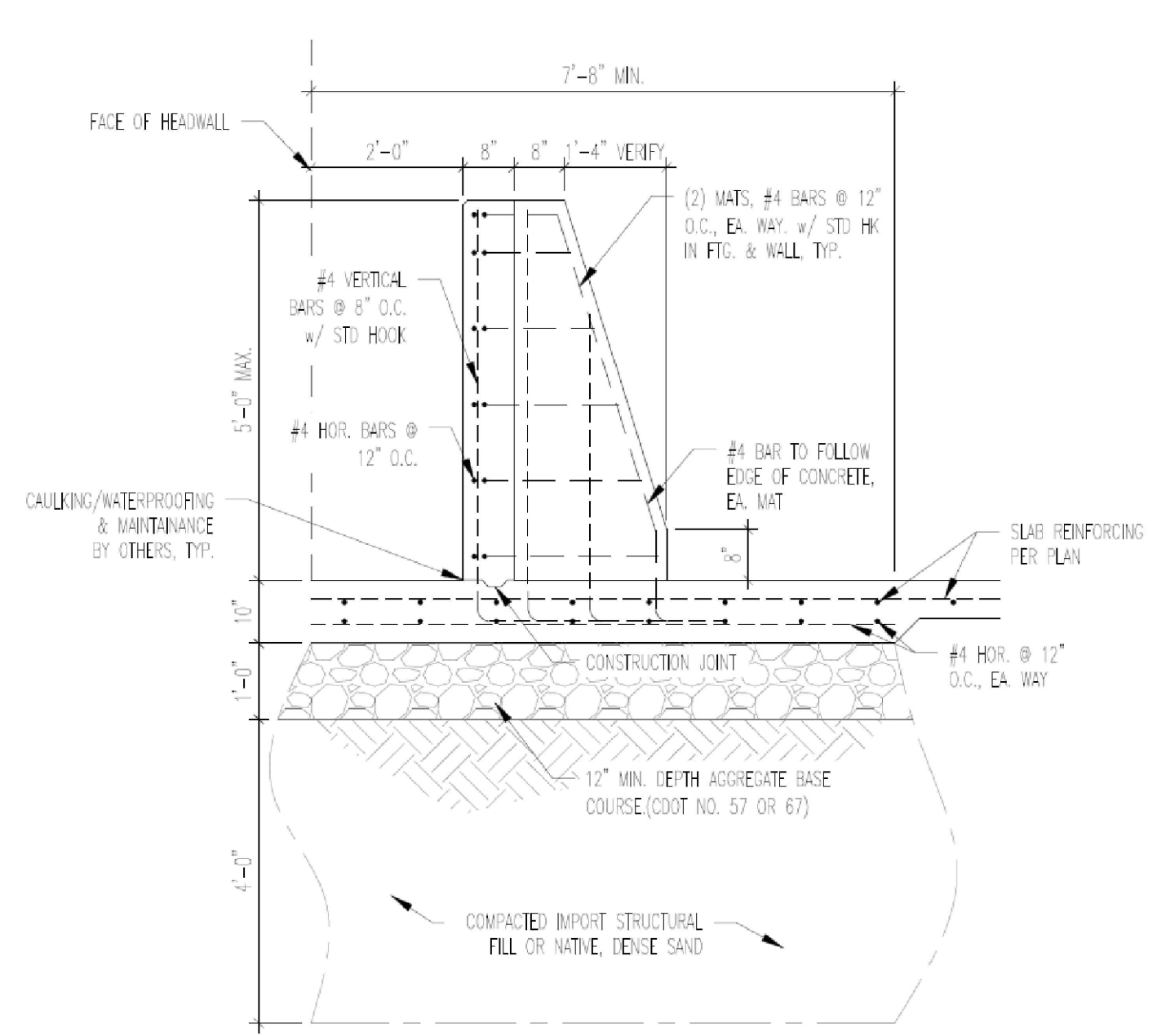
(719) 785-0790
(719) 785-0799 (Fax)

RETREAT AT TIMBERRIDGE FILING NO. 2
CONSTRUCTION PLANS
HEC-RAS ANALYSIS
CHANNEL CL PROFILE (STA: 14+00 - 25+00)

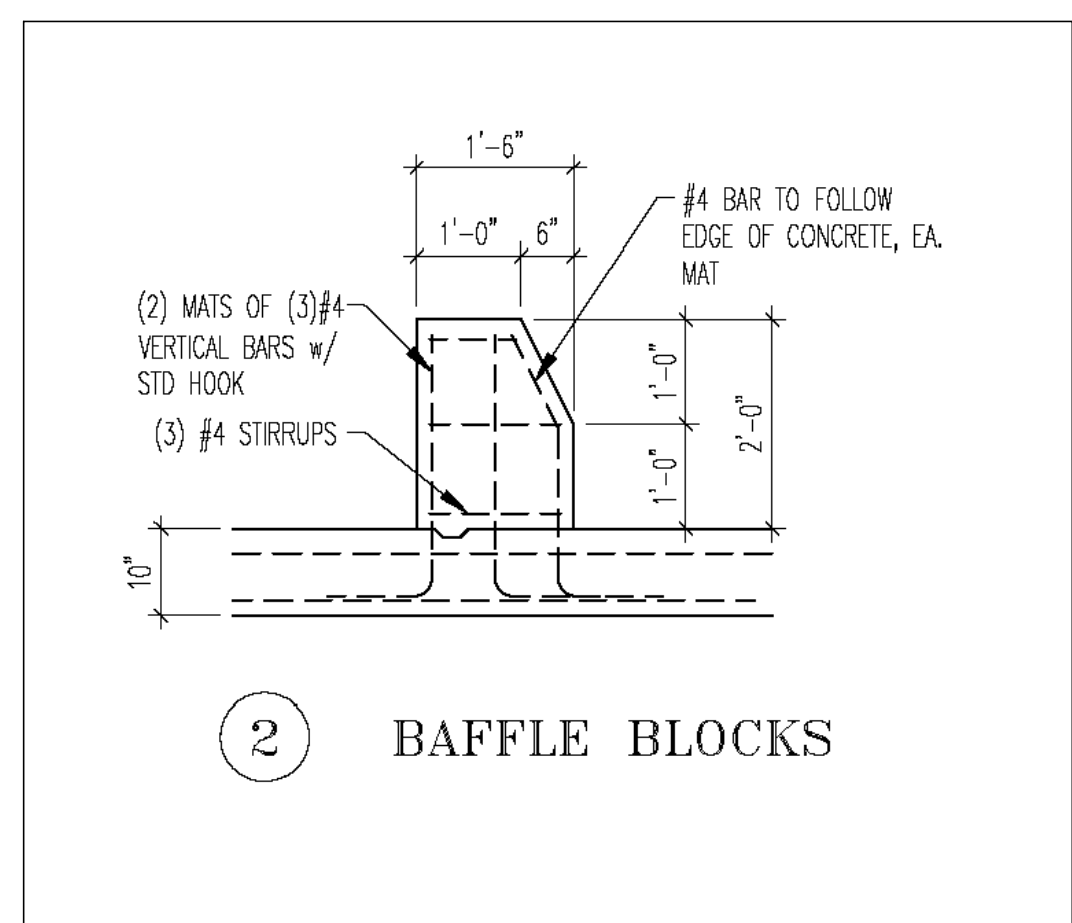
DESIGNED BY	MAW	SCALE	DATE	10-25-21
DRAWN BY	MAW	(H) 1" = 50'	SHEET	20B OF 24
CHECKED BY		(V) 1" = N/A	JOB NO.	1185.20



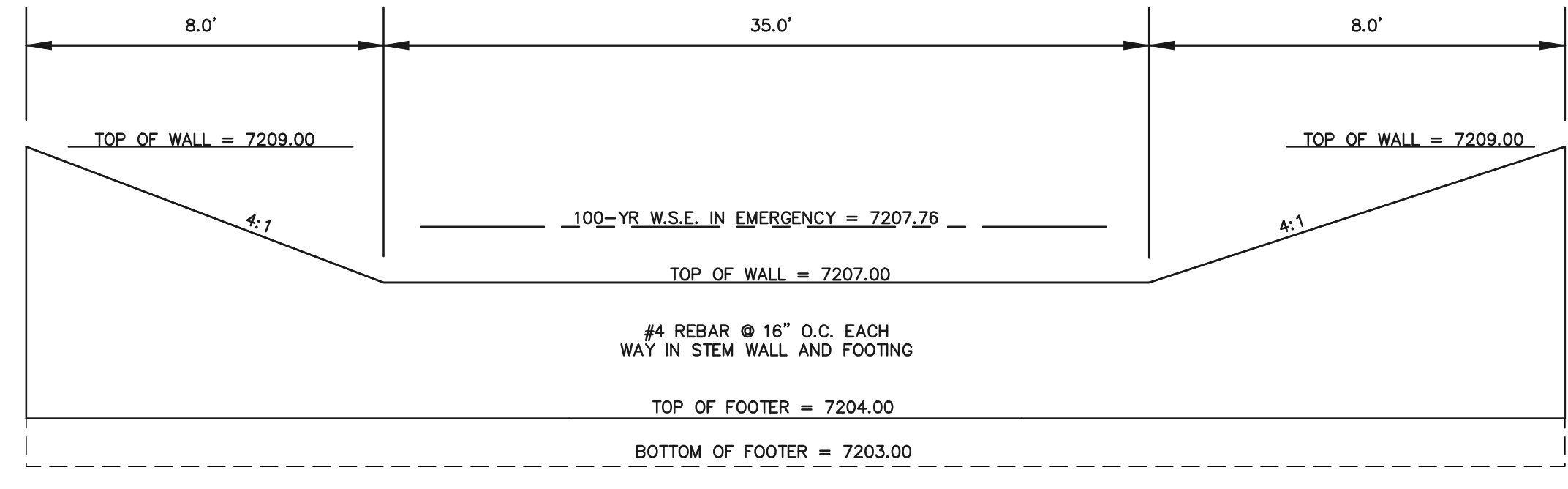
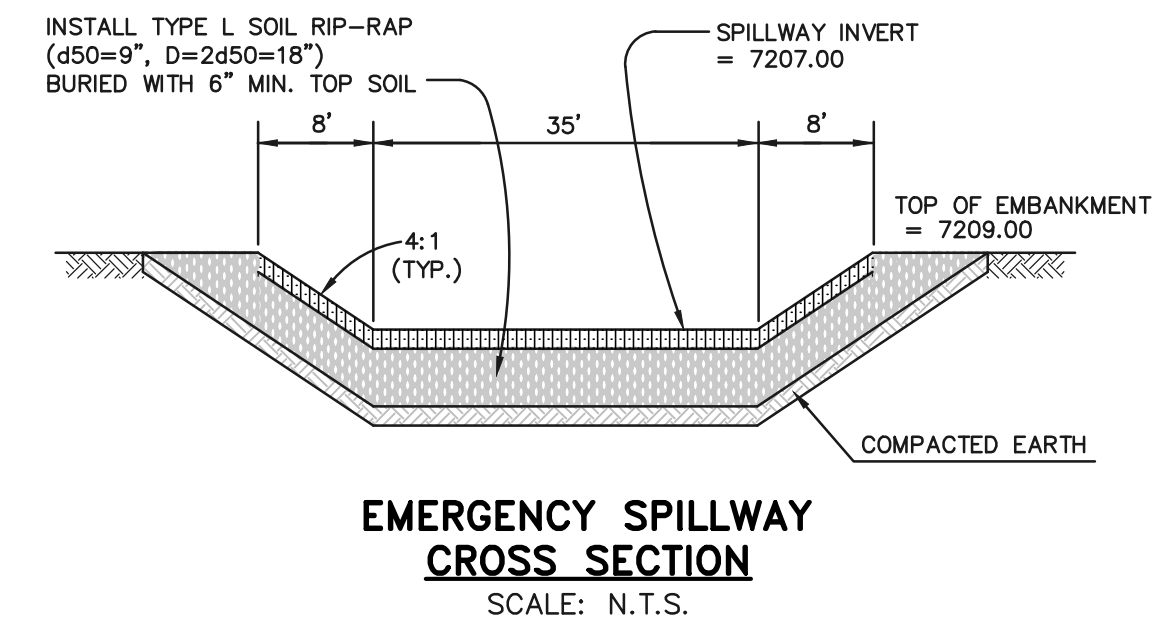
N:\118520\DRAWINGS\CONSTRUCTION\19-20_118520-CHANNEL-profile.dwg, 5/19/2022, 8:27:34 AM, 1:1



1 Baffle Structure
SCALE: 3/8" = 1'-0"

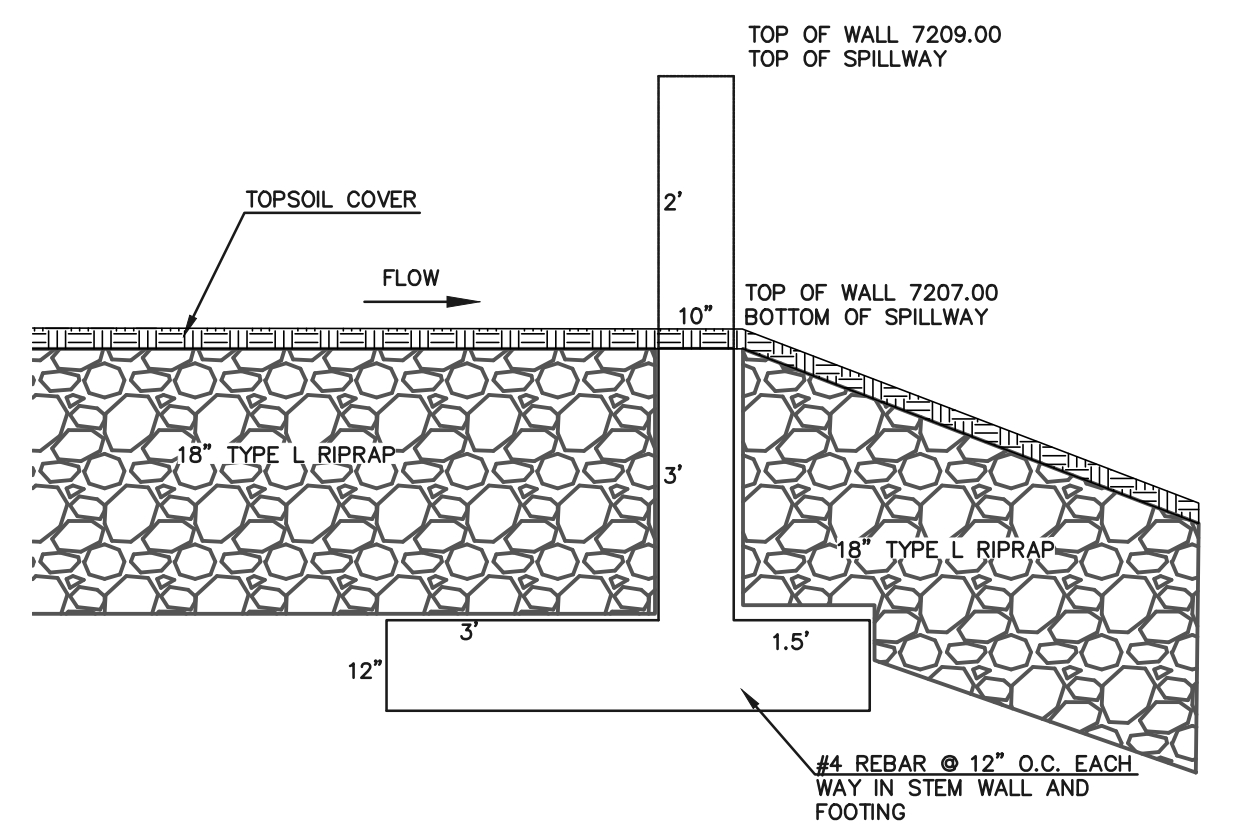


2 Baffle Blocks

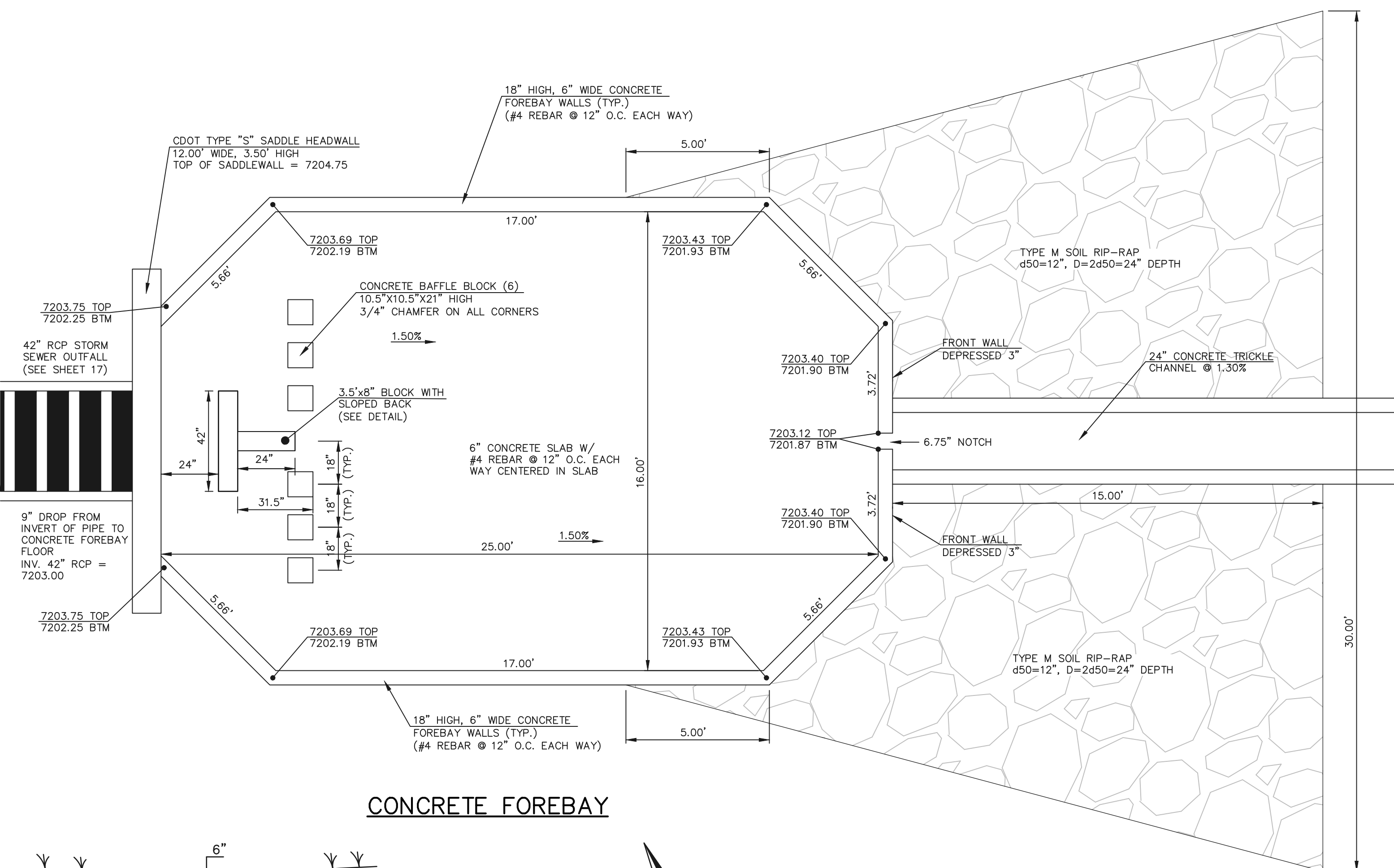
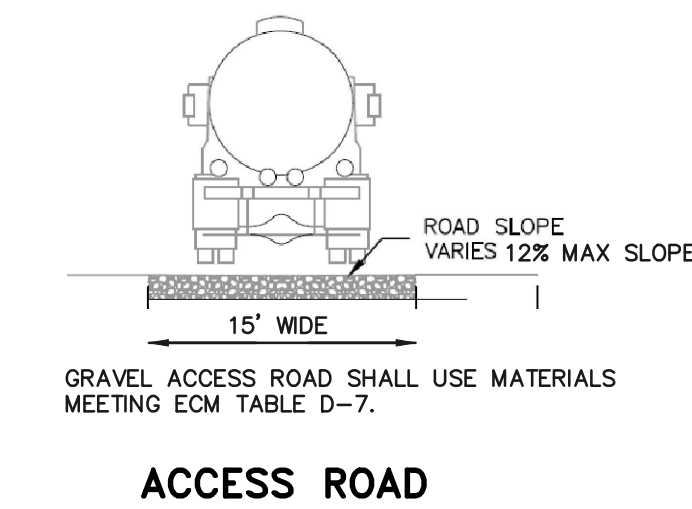


AS-BUILT
11-30-2023

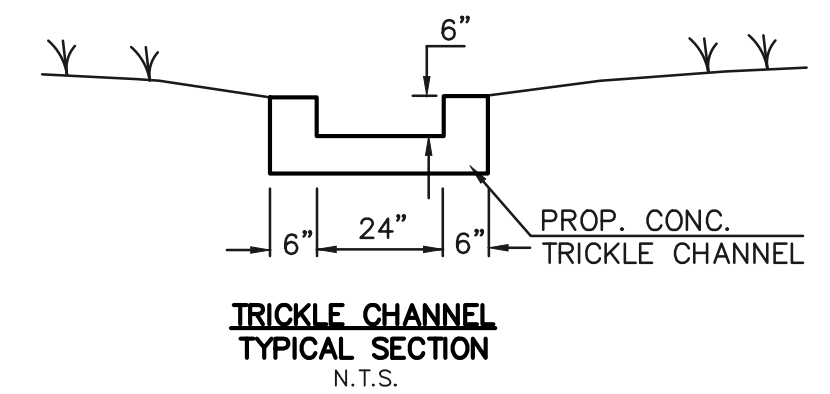
CONCRETE OVERFLOW WALL DIMENSIONS



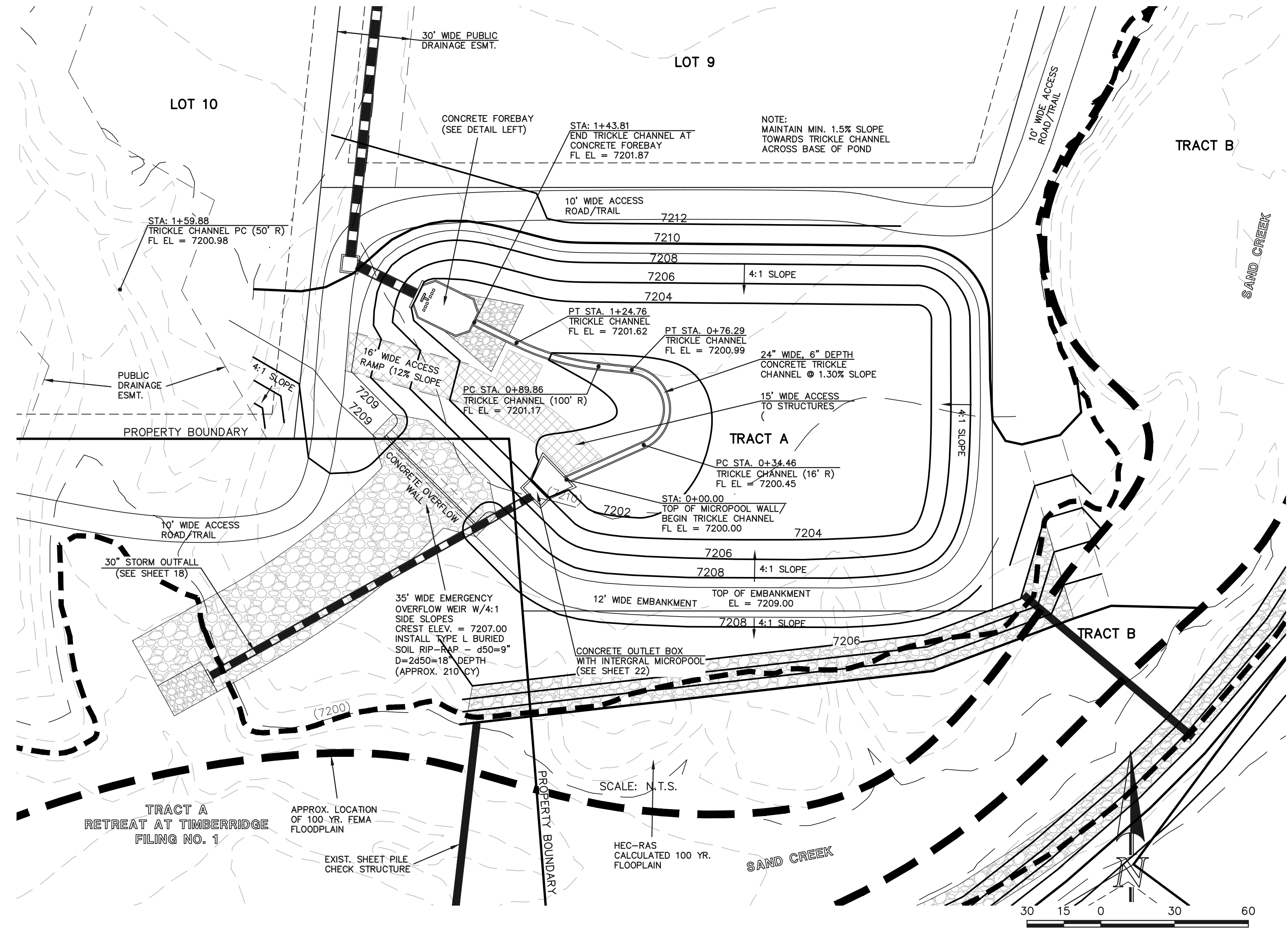
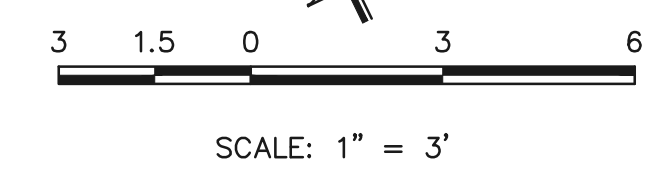
CONCRETE OVERFLOW WALL DIMENSIONS



CONCRETE FOREBAY
N.T.S.



SEE RETREAT AT TIMBERIDGE FILING NO. 2 GRADING AND EROSION CONTROL PLAN FOR EROSION CONTROL DETAILS.



48 HOURS BEFORE YOU DIG, CALL UTILITY LOCATORS
811
UTILITY NOTIFICATION CENTER OF COLORADO
IT'S THE LAW

THE LOCATIONS OF EXISTING UNDERGROUND UTILITIES ARE SHOWN IN AN APPROXIMATE WAY ONLY. THE CONTRACTOR SHALL DETERMINE THE EXACT LOCATION OF ALL EXISTING UTILITIES BEFORE COMMENCING WORK. THE CONTRACTOR SHALL BE FULLY RESPONSIBLE FOR ANY AND ALL DAMAGES WHICH MIGHT BE CAUSED BY HIS FAILURE TO EXACTLY LOCATE AND PRESERVE ANY AND ALL UNDERGROUND UTILITIES.

NO.	REVISION	DATE
1	REVISED PER COUNTY COMMENTS	09-20-21
2	REVISED PER COUNTY COMMENTS	2/7/22
3	REVISED PER COUNTY COMMENTS	3/18/22

REVIEW:
PREPARED UNDER MY DIRECT SUPERVISION FOR AND ON BEHALF OF CLASSIC CONSULTING ENGINEERS AND SURVEYORS, LLC

MARC A. WHORTON
REGISTERED PROFESSIONAL ENGINEER
#37155

3/23/2022
DATE

CLASSIC CONSULTING

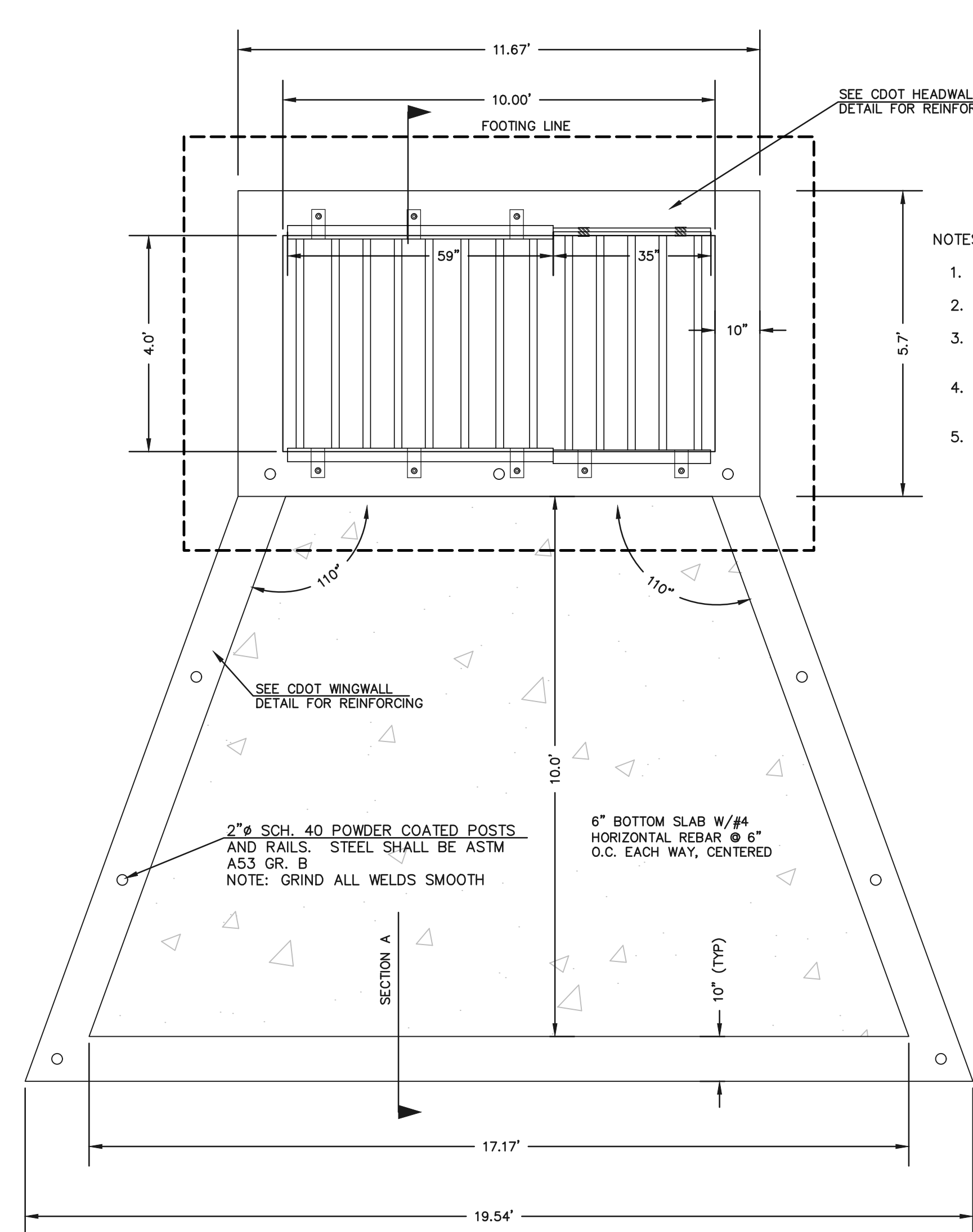
619 N. Cascade Avenue, Suite 200
Colorado Springs, Colorado 80903

(719) 785-0790
(719) 785-0799 (Fax)

RETREAT AT TIMBERIDGE FILING NO. 2
CONSTRUCTION PLANS
DETENTION FACILITY POND 3
POND PLAN

DESIGNED BY MAW SCALE DATE 03-25-21
DRAWN BY MAW (H) 1" = 30' SHEET 21 OF 24
CHECKED BY (V) 1" = N/A JOB NO. 1185.20

N:\118520\DRAWINGS\CONSTRUCTION\21-118520-POND-SHEET-01.dwg, 3/21/2022 10:12:05 AM, 1:1



CONCRETE MICROPOOL
SCALE 1" = 2'

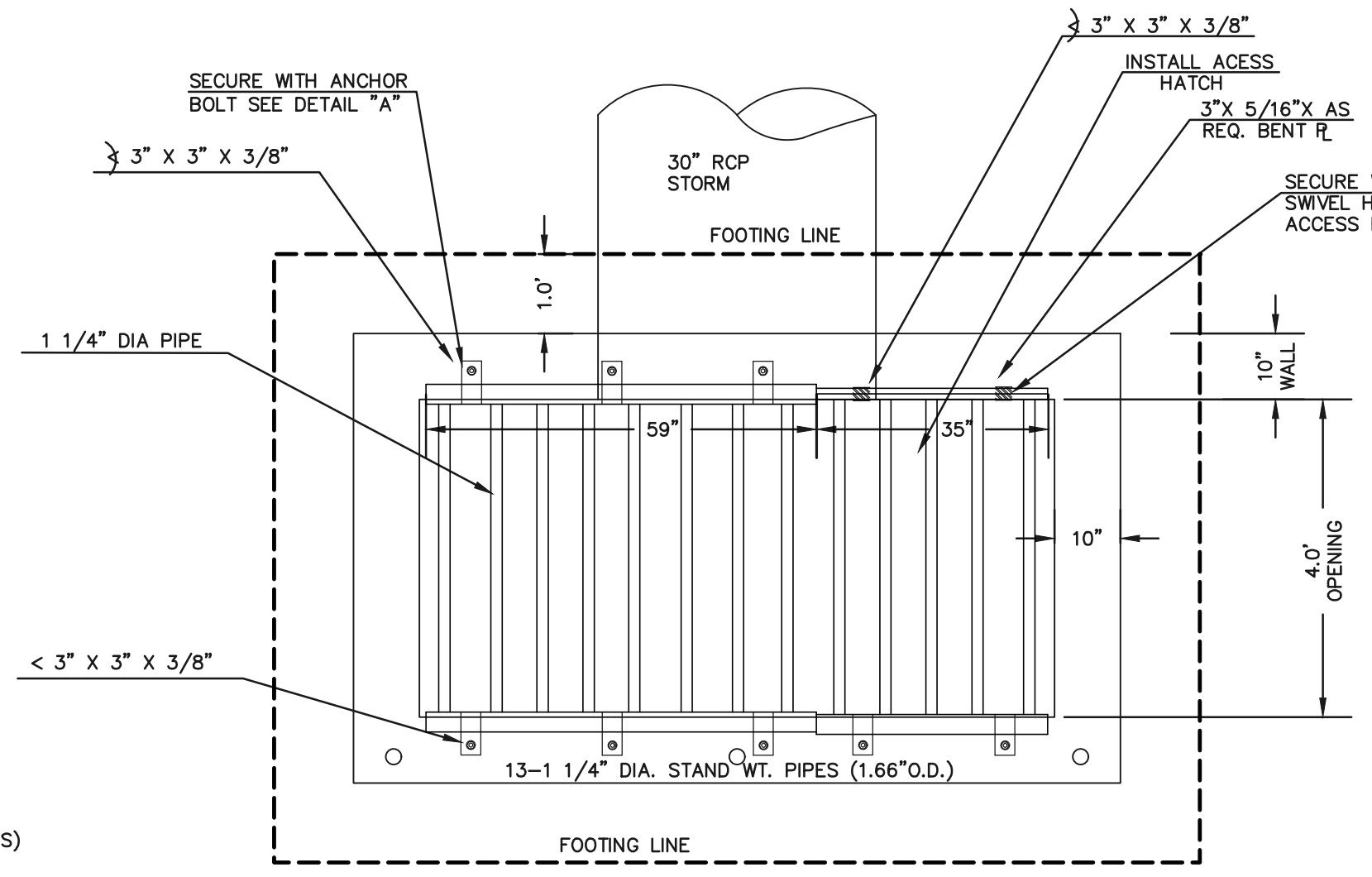
- NOTES:
1. WELD PLATES MAY BE SUBSTITUTED FOR PIPE EMBEDMENT. DESIGN CRITERIA SHALL BE IN ACCORDANCE WITH AASHTO STANDARDS.
 2. HANDRAIL DESIGN SHALL BE COMPATIBLE WITH THE DESIGN OF THE WINGWALLS AND HEADWALLS.
 3. RAILING POSTS SHALL BE SET TO NORMAL TO GRADE. RAILS SHALL RUN PARALLEL TO THE SLOPES OF TOPS OF THE WALLS.
 4. ALL RAILS SHALL HAVE EXPANSION JOINTS SPACED AT 40'-0" MAX. JOINT ENDS SHALL BE FREE OF ANY SHARP EDGES OR CORNERS.

(ALL MATERIALS PER EL PASO COUNTY SPECIFICATIONS)

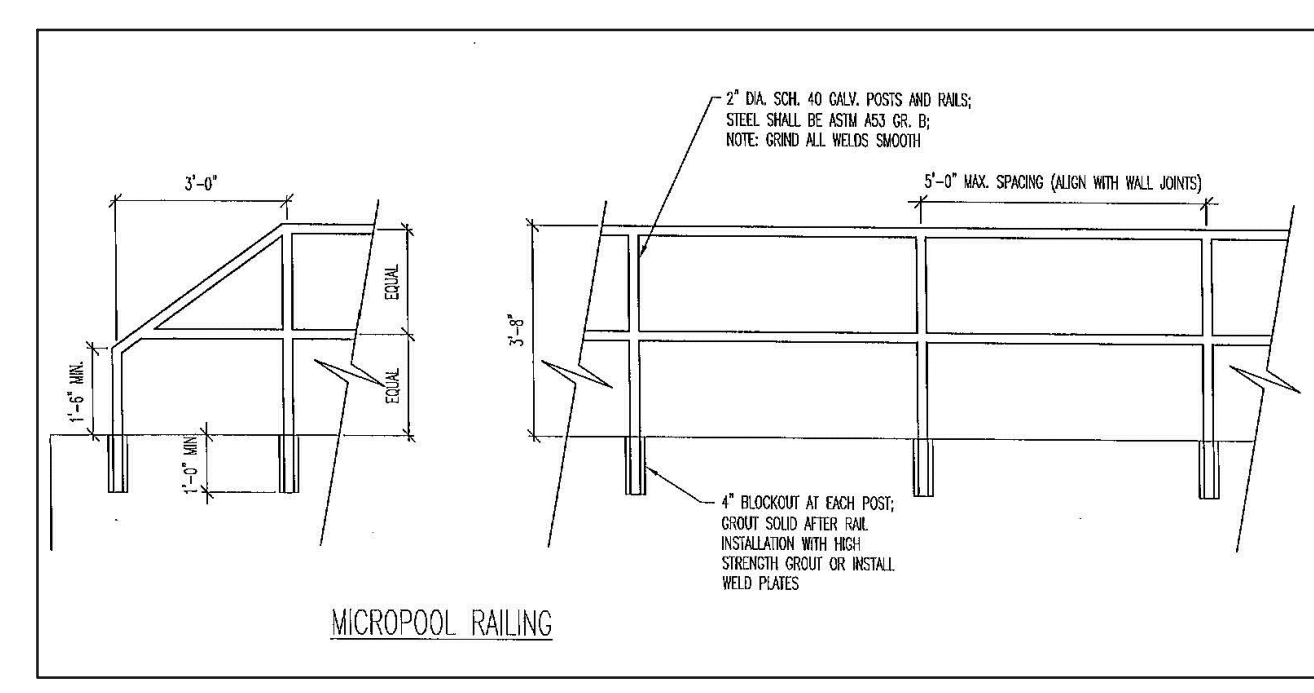
- ORIFICE PLATE NOTES:
1. PROVIDE CONTINUOUS NEOPRENE GASKET MATERIAL BETWEEN THE ORIFICE PLATE AND CONCRETE.
 2. BOLT PLATE TO CONCRETE 12" MAX. ON CENTER

- EURV AND WQCV TRASH RACKS:
1. WELL-SCREEN TRASH RACKS SHALL BE POWDER COATED STAINLESS STEEL AND SHALL BE ATTACHED BY INTERMITTENT WELDS ALONG THE EDGE OF THE MOUNTING FRAME.
 2. BAR GRATE TRASH RACKS SHALL BE ALUMINUM AND SHALL BE BOLTED USING STAINLESS STEEL HARDWARE.
 3. TRASH RACK OPEN AREAS ARE FOR SPECIFIED TRASH RACK MATERIALS. TOTAL TRASH RACK SIZE MAY NEED TO BE ADJUSTED FOR MATERIALS HAVING DIFFERENT OPEN AREA/ GROSS AREA RATIO (R VALUE).
 4. STRUCTURAL DESIGN OF TRASH RACKS SHALL BE BASED ON FULL HYDROSTATIC HEAD WITH ZERO HEAD DOWNSTREAM OF RACK.

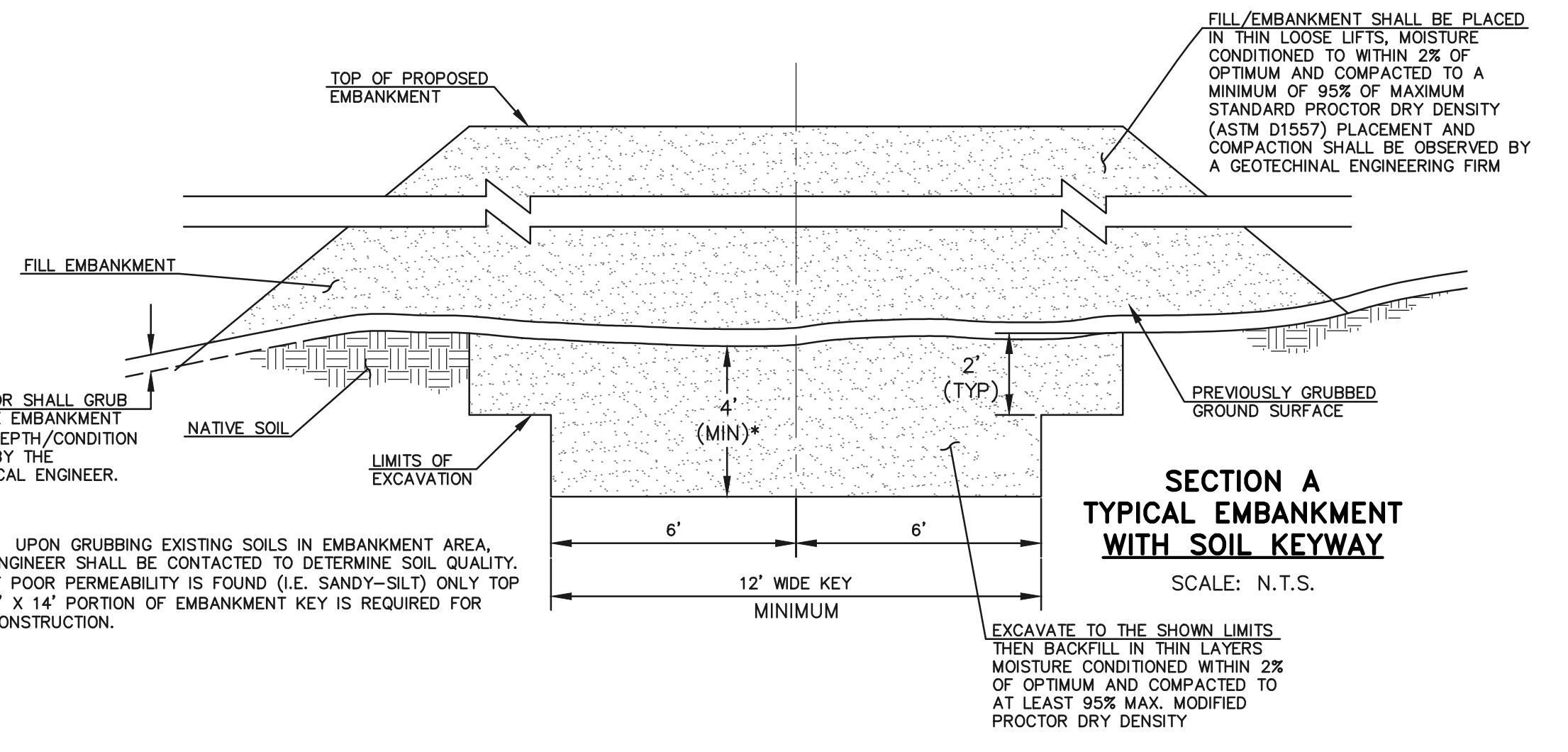
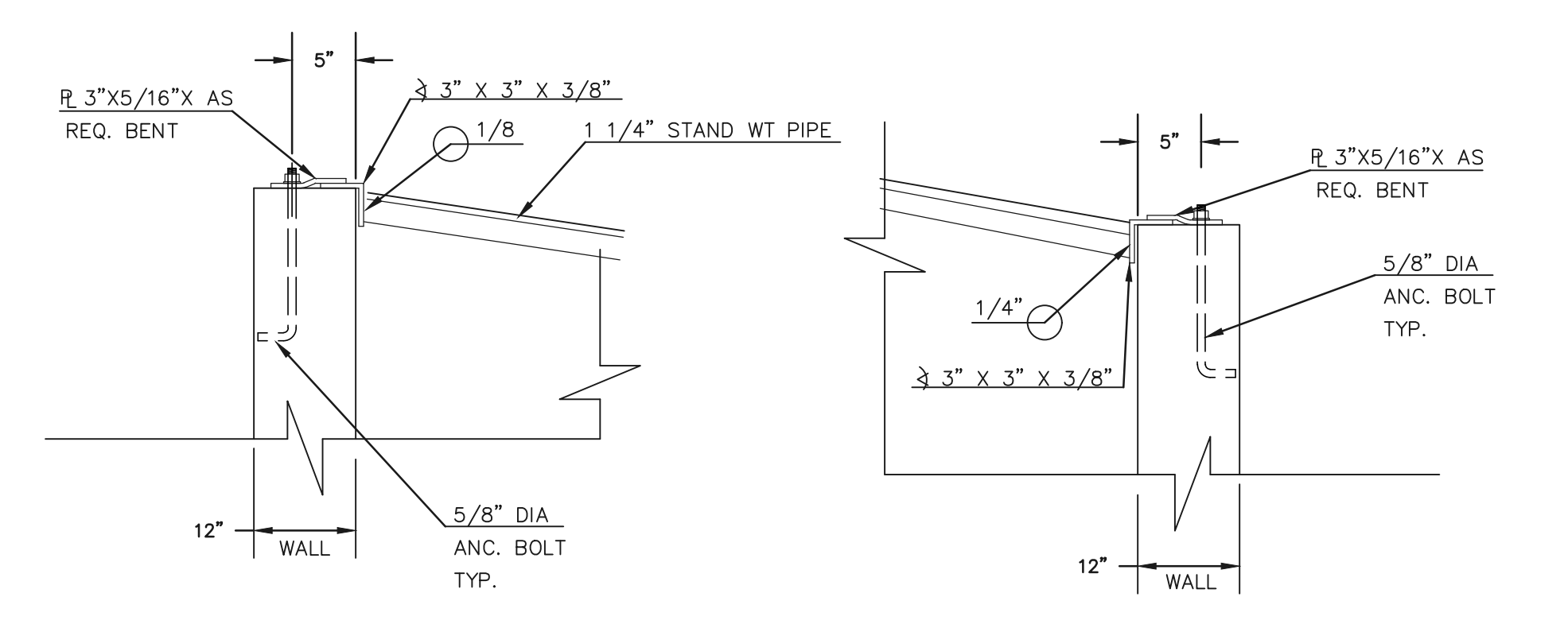
- OVERFLOW TRASH RACKS:
1. ALL TRASH RACKS SHALL BE MOUNTED USING STAINLESS STEEL HARDWARE AND PROVIDED WITH HINGED AND LOCKABLE OR BOLTABLE ACCESS PANELS
 2. TRASH RACKS SHALL BE STAINLESS STEEL, ALUMINUM, OR STEEL. STEEL TRASH RACKS SHALL BE HOT DIP GALVANIZED AND MAY BE HOT POWDER COATED AFTER GALVANIZING.
 3. TRASH RACKS SHALL BE DESIGNED SUCH THAT THE DIAGONAL DIMENSION OF EACH OPENING IS SMALLER THAN THE DIAMETER OF THE OUTLET PIPE.
 4. STRUCTURAL DESIGN OF THE TRASH RACKS SHALL BE BASED ON FULL HYDROSTATIC HEAD WITH ZERO HEAD DOWNSTREAM OF THE RACK.



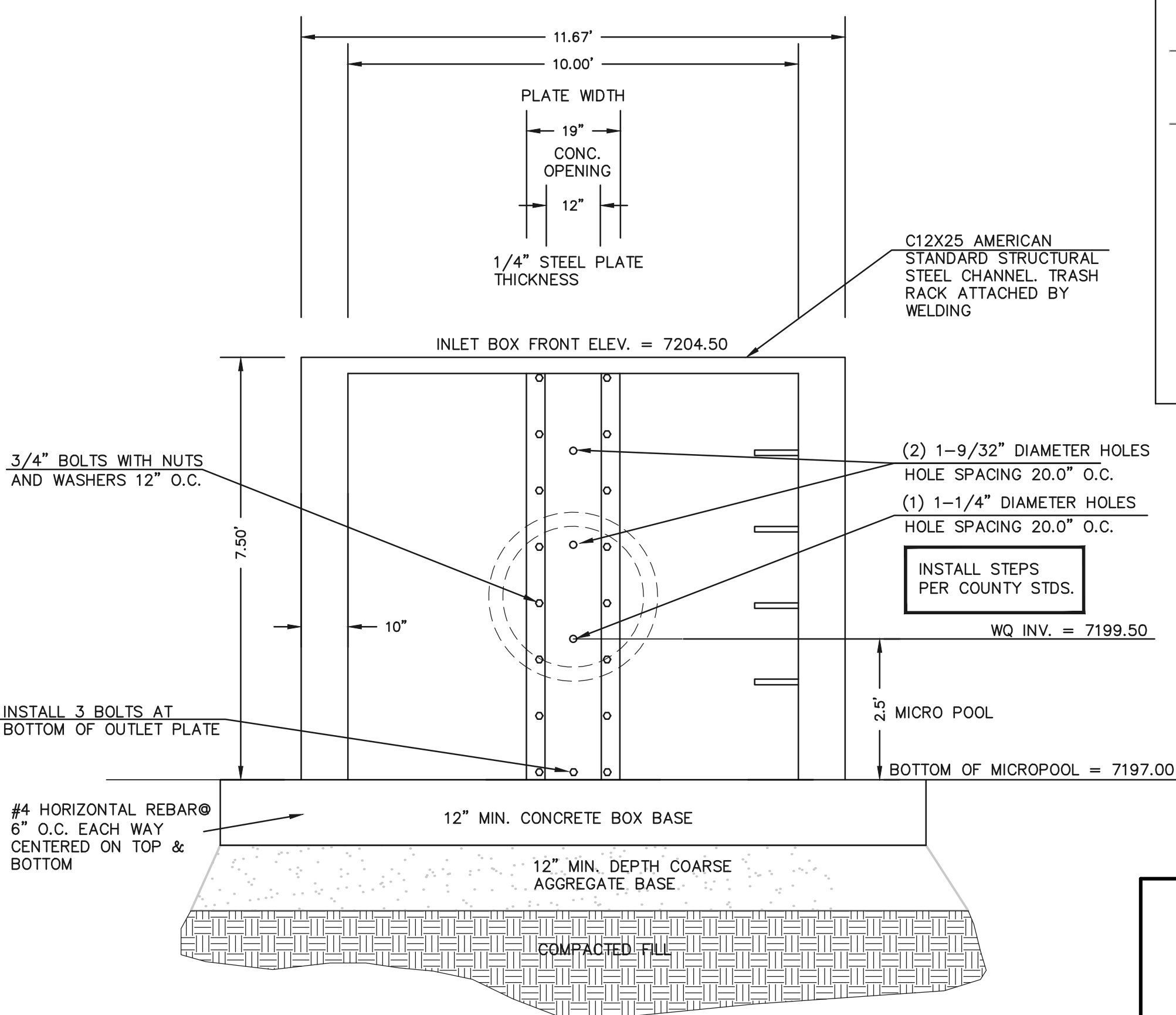
10'X4' OUTLET BOX OVERFLOW TRASH RACK
SCALE 1" = 2'



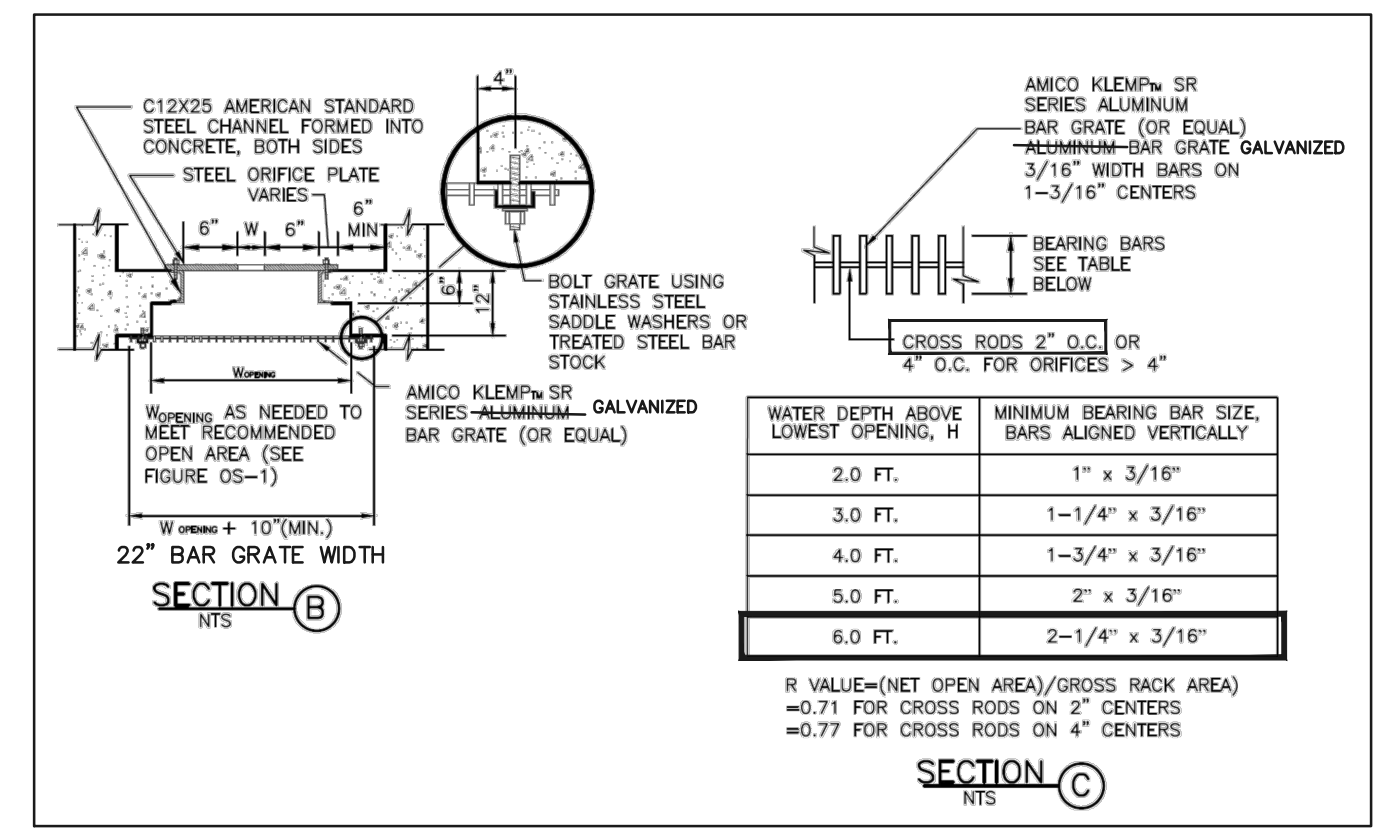
OUTLET BOX RAILING
N.T.S.



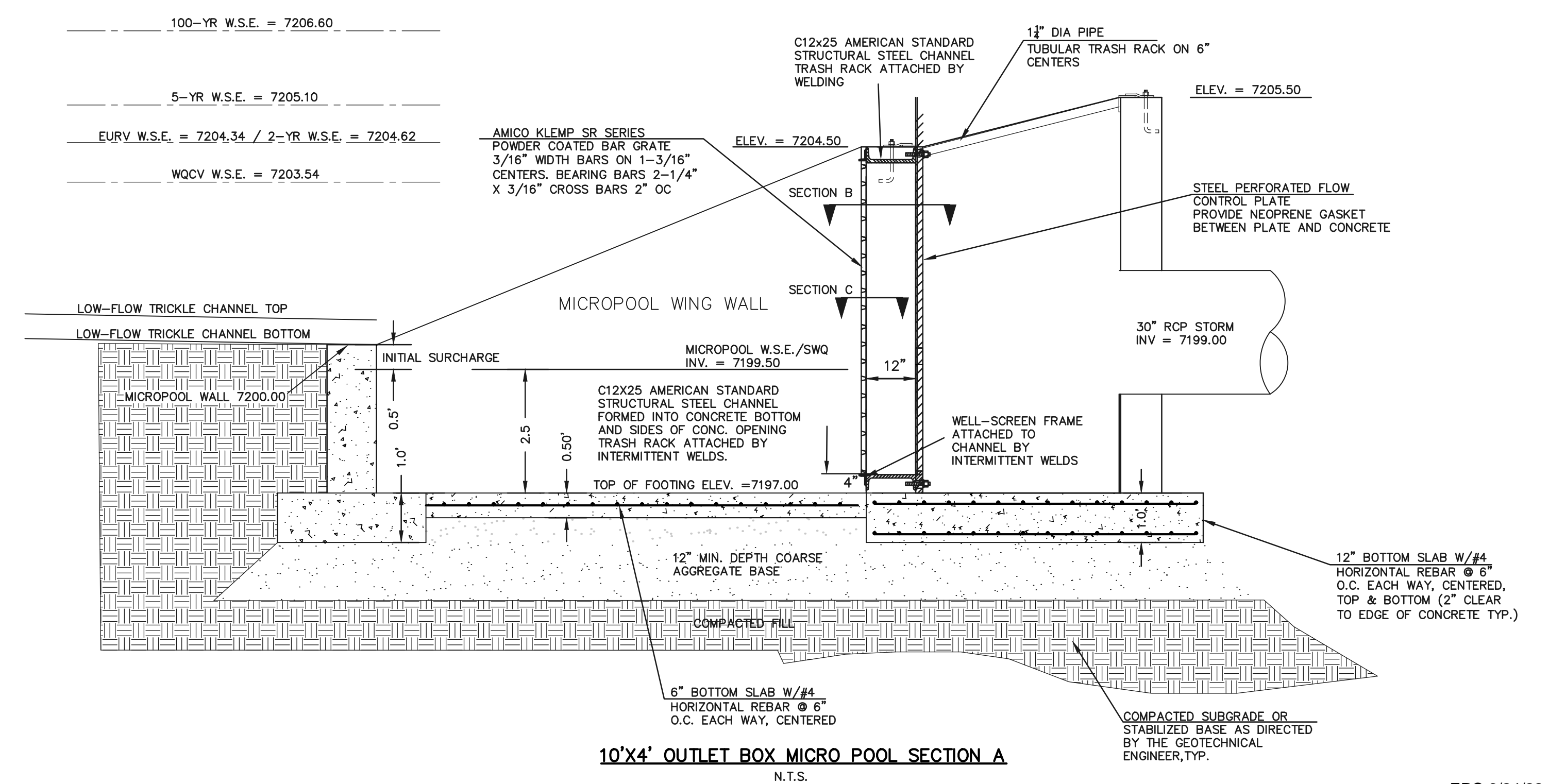
**SECTION A
TYPICAL EMBANKMENT
WITH SOIL KEYWAY**
SCALE: N.T.S.



10'X4' OUTLET BOX ORIFICE PLATE
SCALE 1" = 2'



WATER DEPTH ABOVE LOWEST OPENING, H	MINIMUM BEARING BAR SIZE, BARS ALIGNED VERTICALLY
2.0 FT.	1" x 3/16"
3.0 FT.	1-1/4" x 3/16"
4.0 FT.	1-3/4" x 3/16"
5.0 FT.	2" x 3/16"
6.0 FT.	2-1/4" x 3/16"



10'X4' OUTLET BOX MICRO POOL SECTION A
N.T.S.

**AS-BUILT
11-30-2023**

48 HOURS BEFORE YOU DIG,
CALL UTILITY LOCATORS
811
UTILITY NOTIFICATION CENTER OF COLORADO
IT'S THE LAW

THE LOCATIONS OF EXISTING UNDERGROUND UTILITIES ARE SHOWN IN AN APPROXIMATE WAY ONLY. THE CONTRACTOR SHALL DETERMINE THE EXACT LOCATION OF ALL EXISTING UTILITIES BEFORE COMMENCING WORK. THE CONTRACTOR SHALL BE FULLY RESPONSIBLE FOR ANY AND ALL DAMAGES WHICH MIGHT BE CAUSED BY HIS FAILURE TO EXACTLY LOCATE AND PRESERVE ANY AND ALL UNDERGROUND UTILITIES.

NO.	REVISION	DATE
1	REVISED PER COUNTY COMMENTS	09-20-21
2	REVISED PER COUNTY COMMENTS	2/7/22
3	REVISED PER COUNTY COMMENTS	3/18/22

REVIEW:
PREPARED UNDER MY DIRECT SUPERVISION FOR AND ON BEHALF OF CLASSIC CONSULTING ENGINEERS AND SURVEYORS, LLC

MARC A. WHORTON, COLORADO REGISTERED PROFESSIONAL ENGINEER #37155

3/23/2022

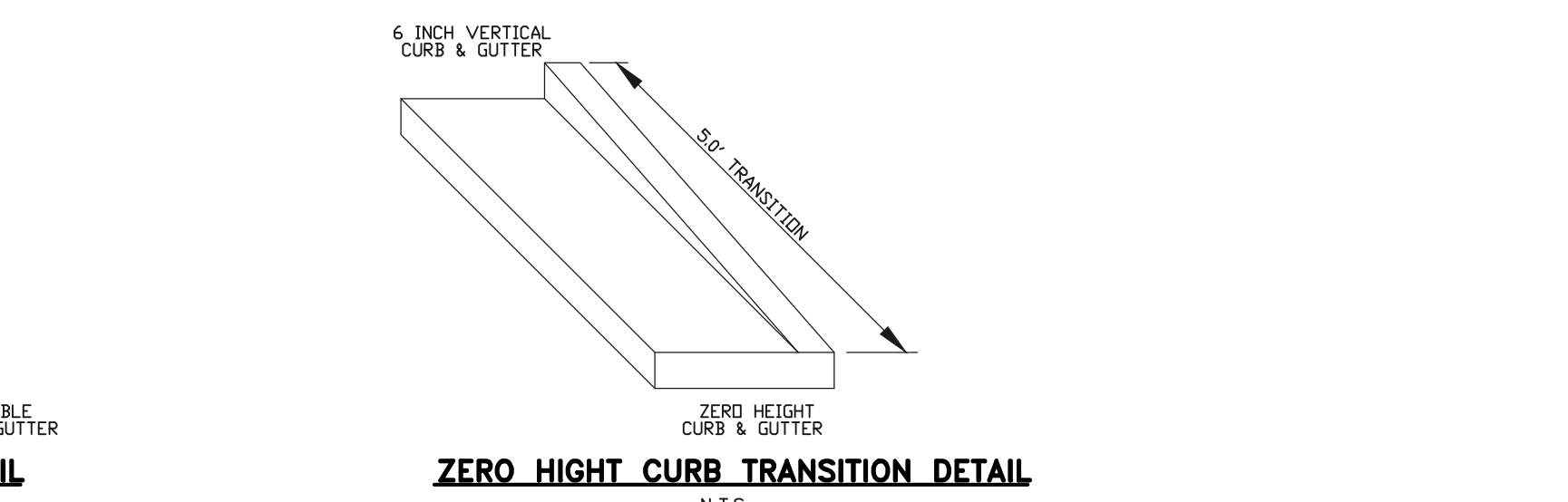
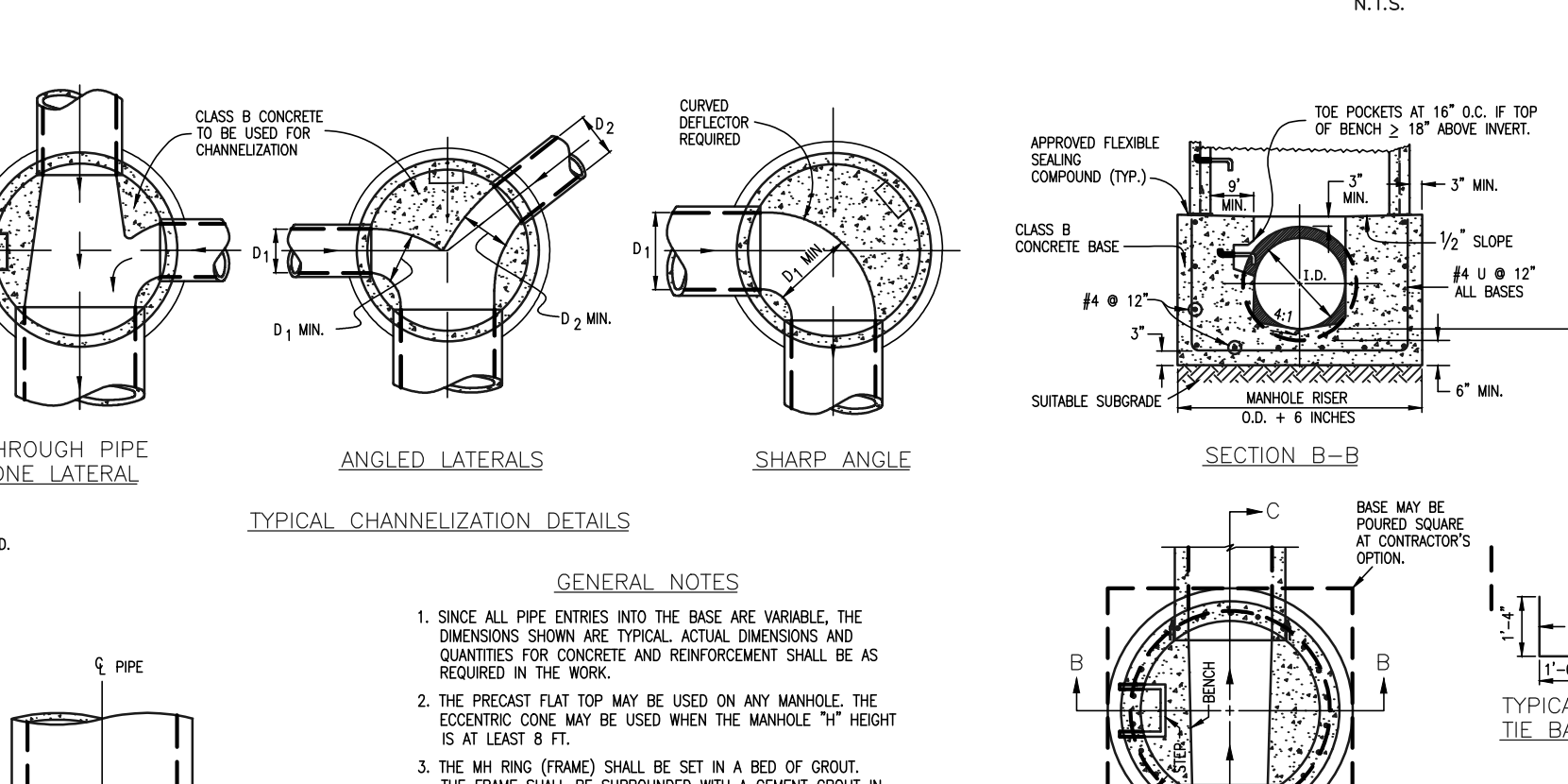
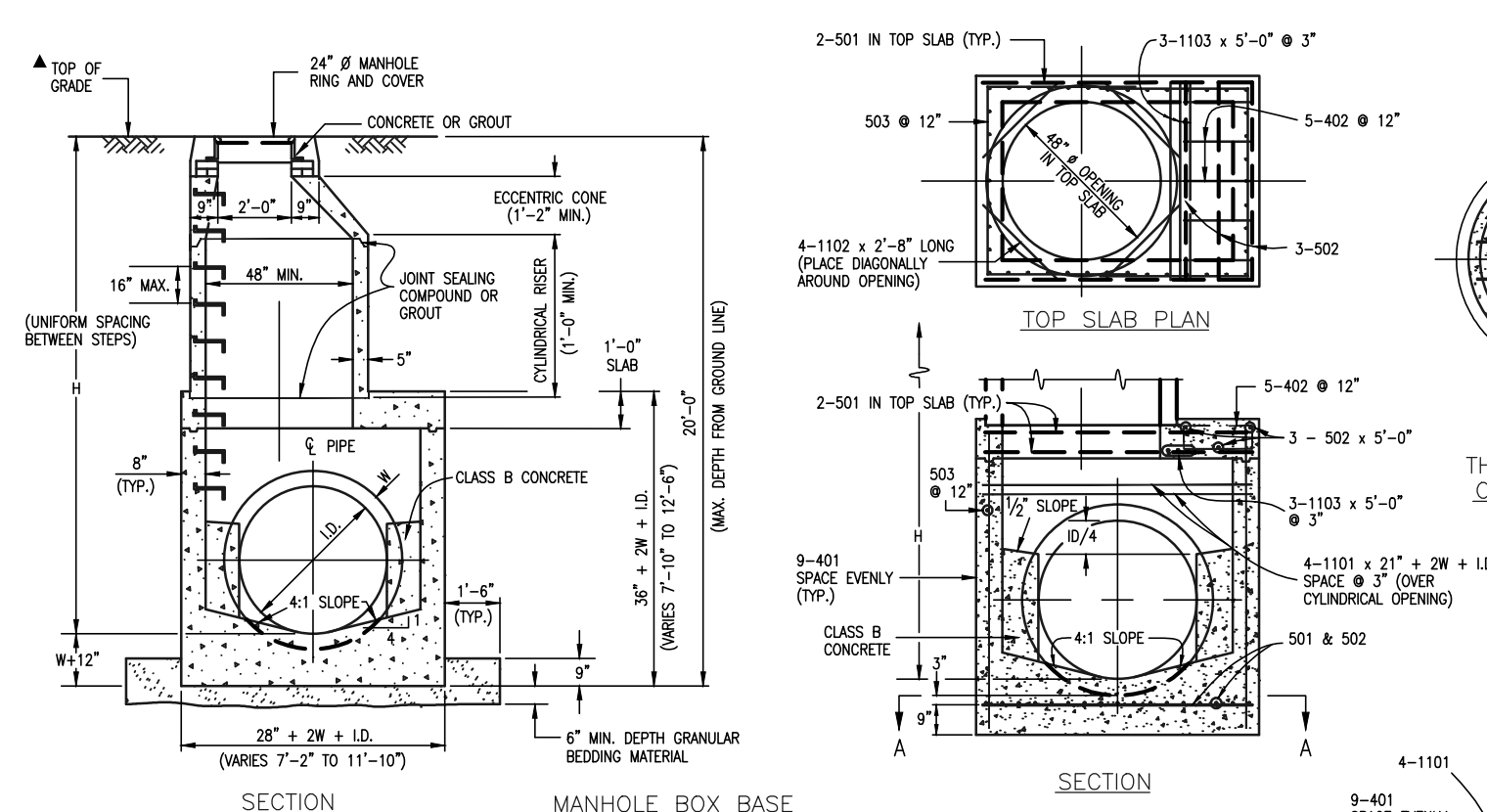
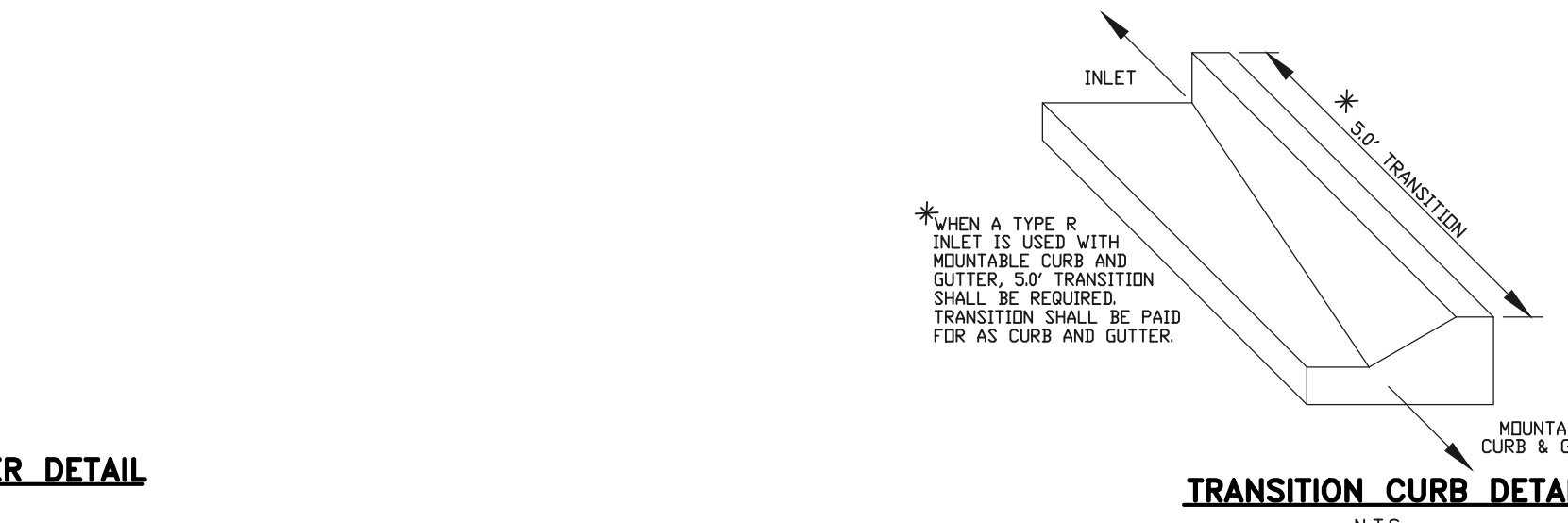
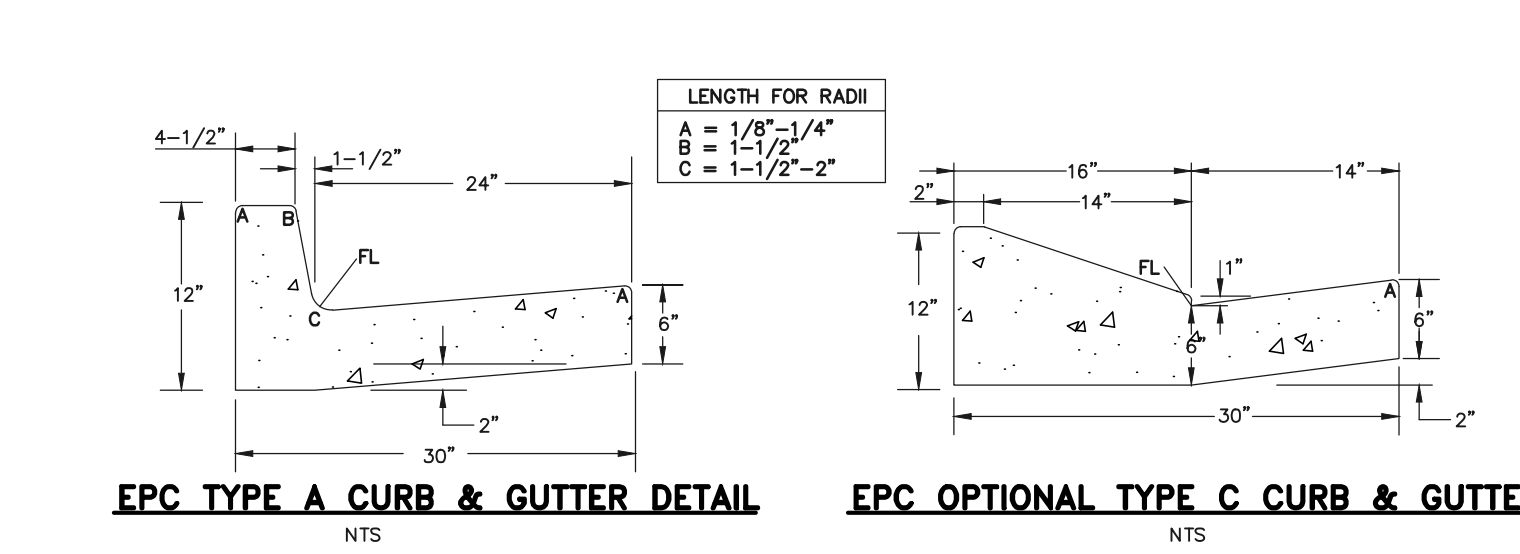


RETREAT AT TIMBERRIDGE FILING NO. 2
CONSTRUCTION PLANS
DETENTION FACILITY 3
OUTLET BOX DETAILS

DESIGNED BY MAW SCALE DATE 03-23-21
DRAWN BY MAW (H) 1"= N/A SHEET 22 OF 24
CHECKED BY (V) 1"= N/A JOB NO. 1185.20

EPC 6/24/22

N:\118520\DRAWINGS\CONSTRUCTION\22-118520-POND-SHEET-02.dwg, 3/21/2022, 10:32:56 AM, 1:1



QUANTITIES FOR CONCRETE MANHOLE BOX BASE

MARK	SIZE	TYPE	WT. /YD.	NO. REQ'D.	FORMULAS
401	4	I	0.668	18	401 BAR LENGTH = 32*2W+I.D.
402	4	III	0.668	5	402 BAR LENGTH = I.D. + 2W
501	5	I	1.043	17	501 BAR LENGTH = 24* I.D. + 2W
502	5	I	1.043	23	502 NUMBER BARS REQ'D. = 3 + (24+I.D.)/2W
503	5	II	1.043	22	503 NUMBER BARS REQ'D. = 2 + (13+I.D.)/2W
504	5	I	1.043	12	504 NUMBER BARS REQ'D. = 2 + (2W+I.D.)/2W
1101	11	I	5.313	4	1101 BAR LENGTH = 21* I.D. + 2W
1102	11	I	5.313	4	1102 BAR LENGTH = 21* I.D. + 2W
1103	11	I	5.313	3	1103 BAR LENGTH = 21* I.D. + 2W

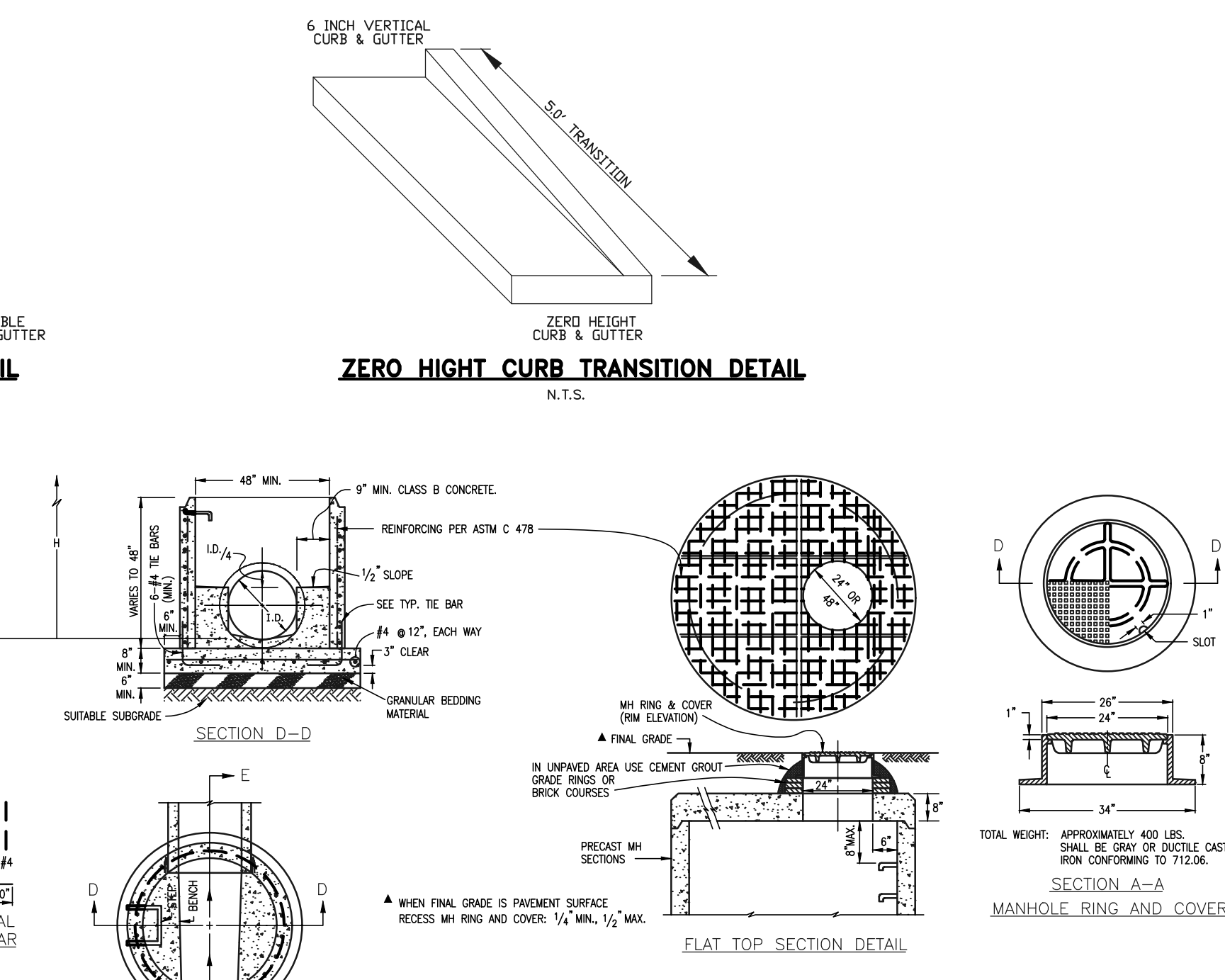
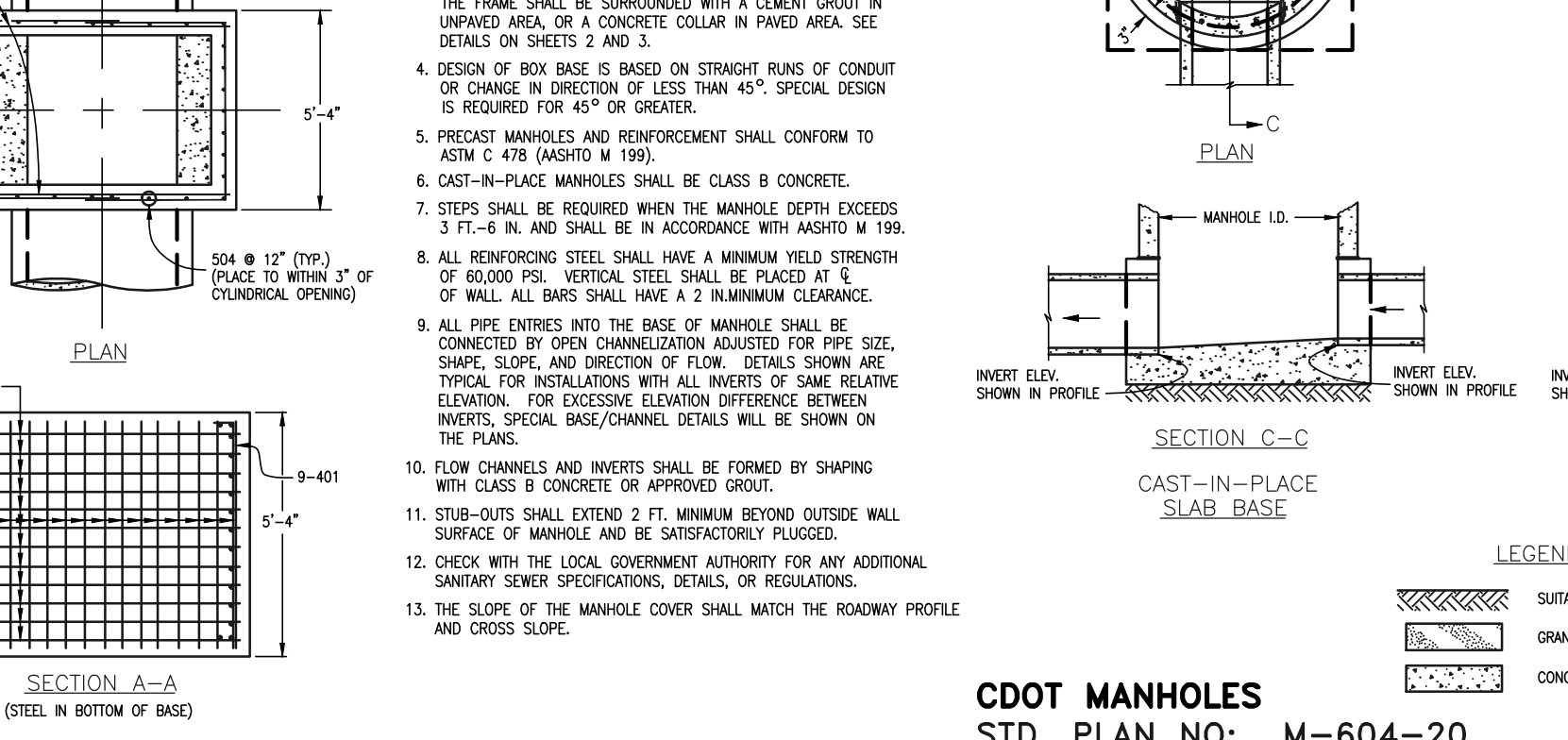


TABLE ONE ~ BAR LIST FOR CURB INLETS, TYPE "R"

MARK	DIA. IN.	O.C. SPACING	TYPE	ALL INLETS				INLETS, H = 5"			
				NO. REQ'D.	LENGTH	NO. REQ'D.	LENGTH	NO. REQ'D.	LENGTH	NO. REQ'D.	LENGTH
401	11"	II	15	21	26	11	11	11	11		
402	11"	II	7	13	18	7	7	7	7		
403	9"	II	4	10	14	4	4	4	4		

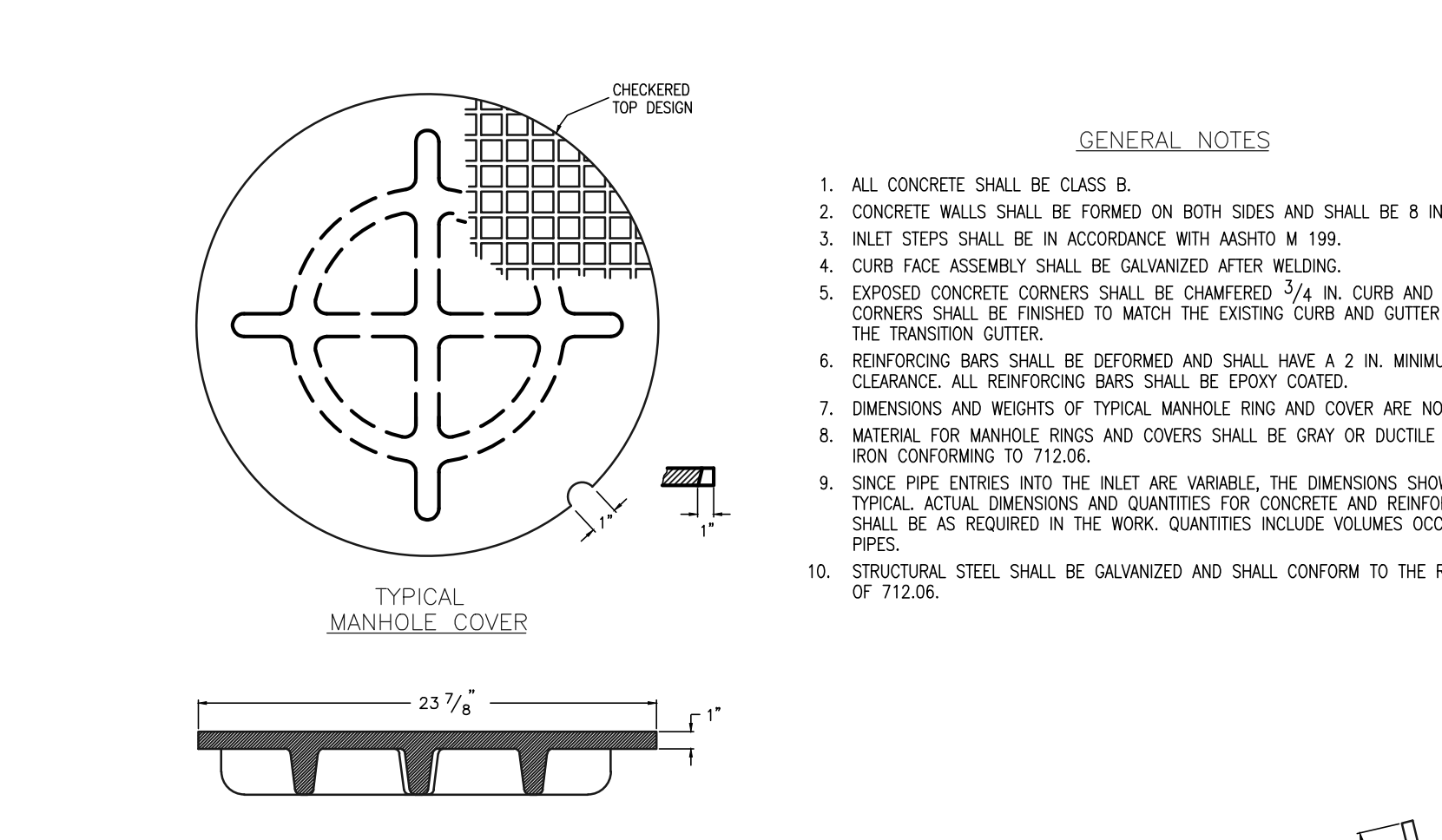
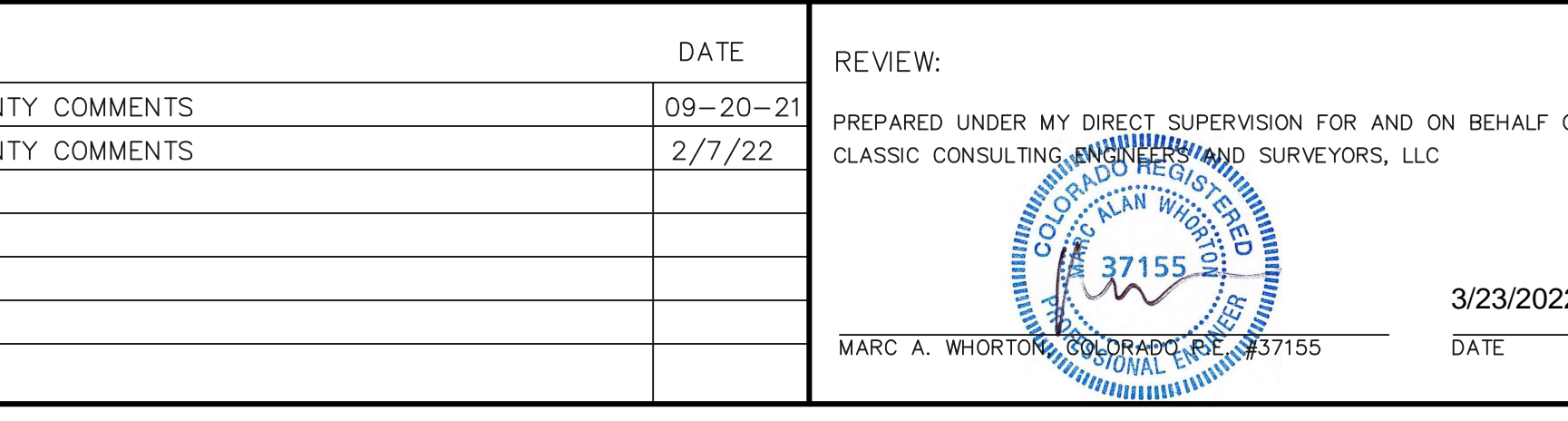
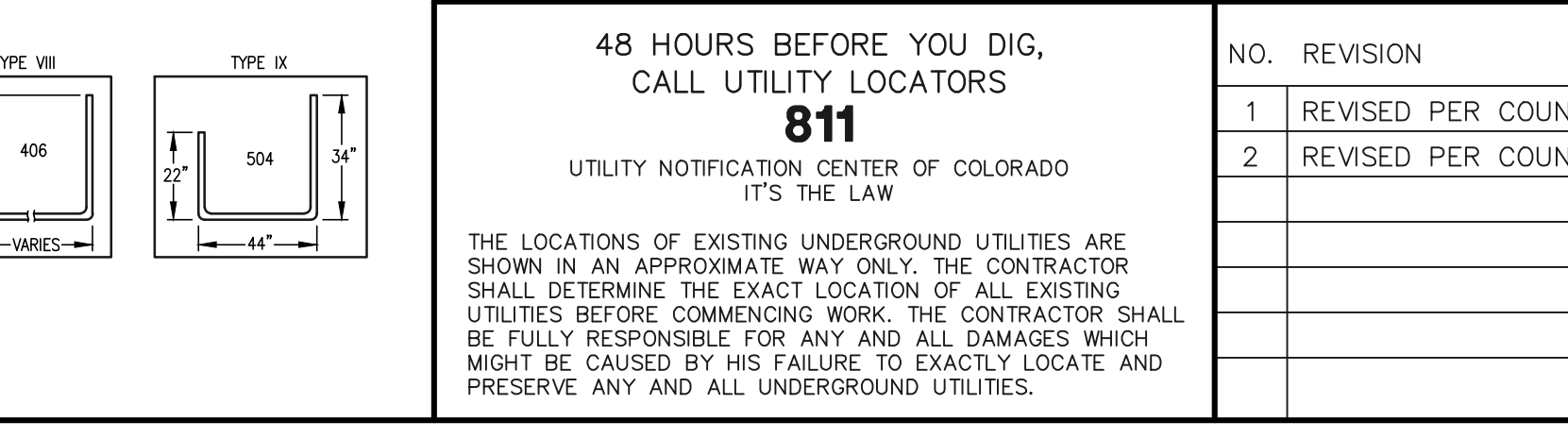
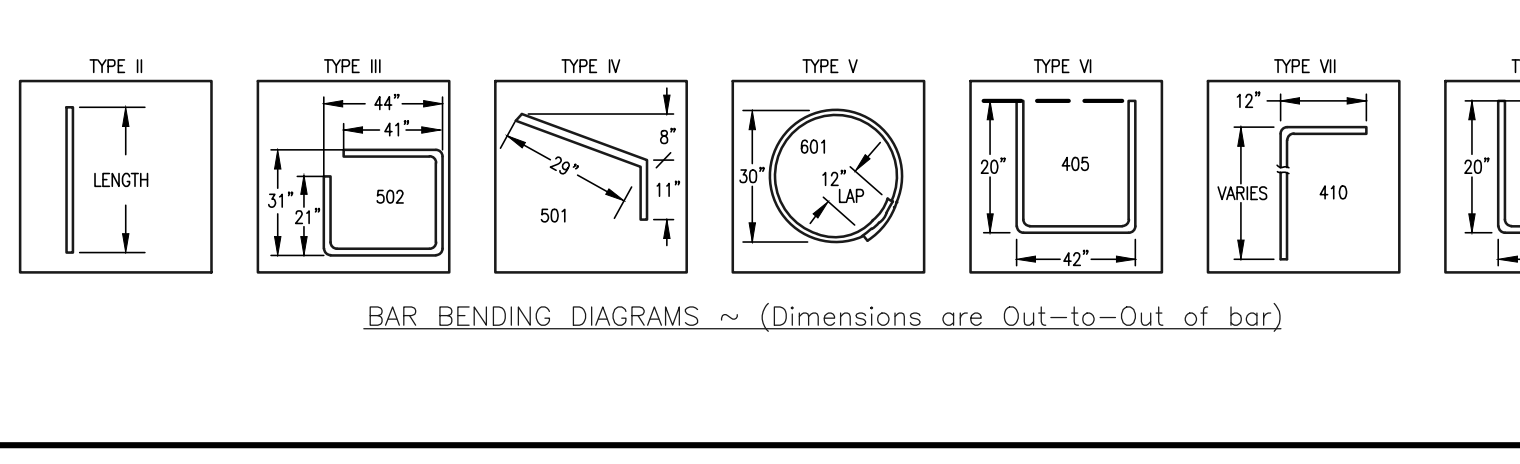
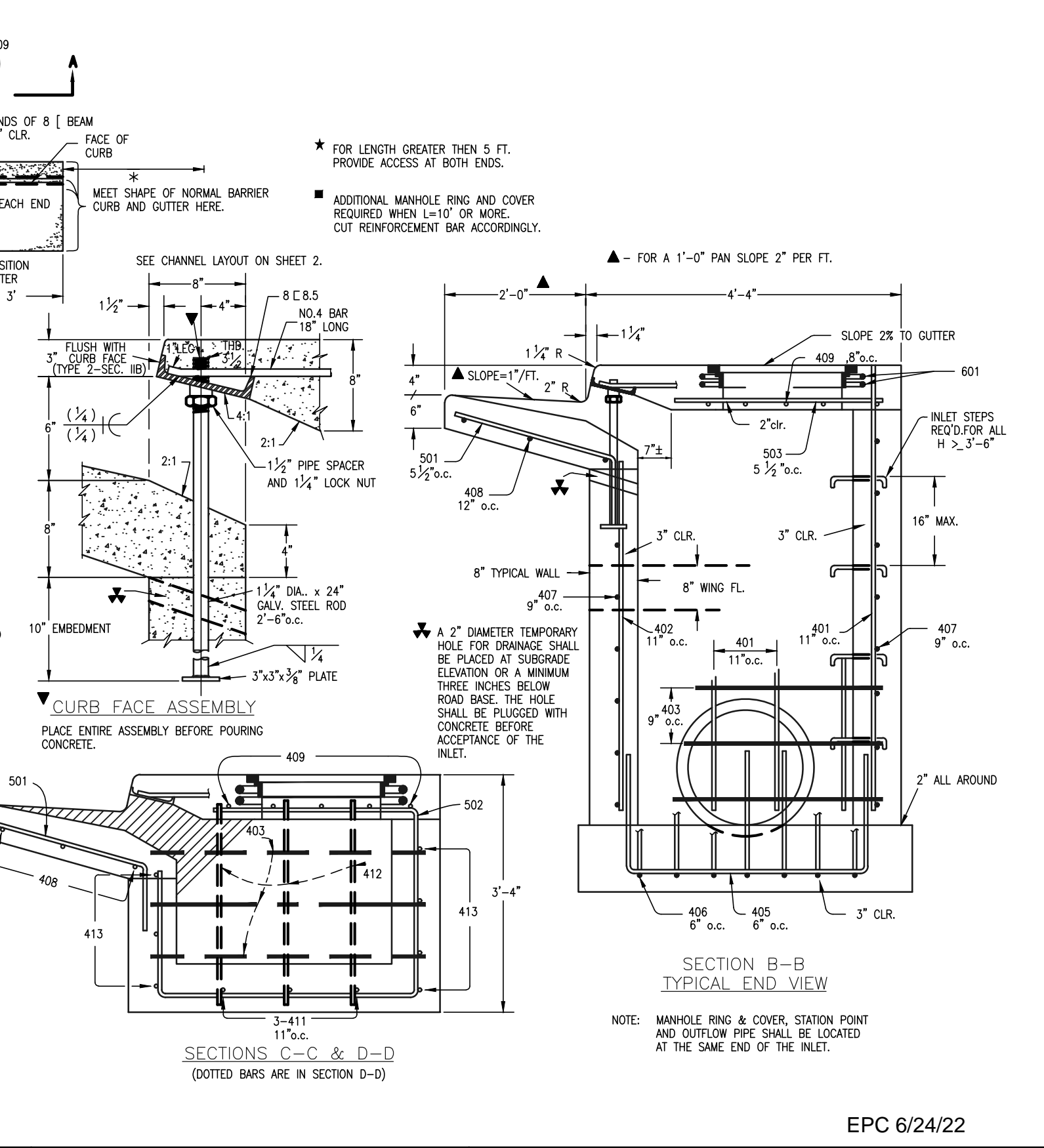
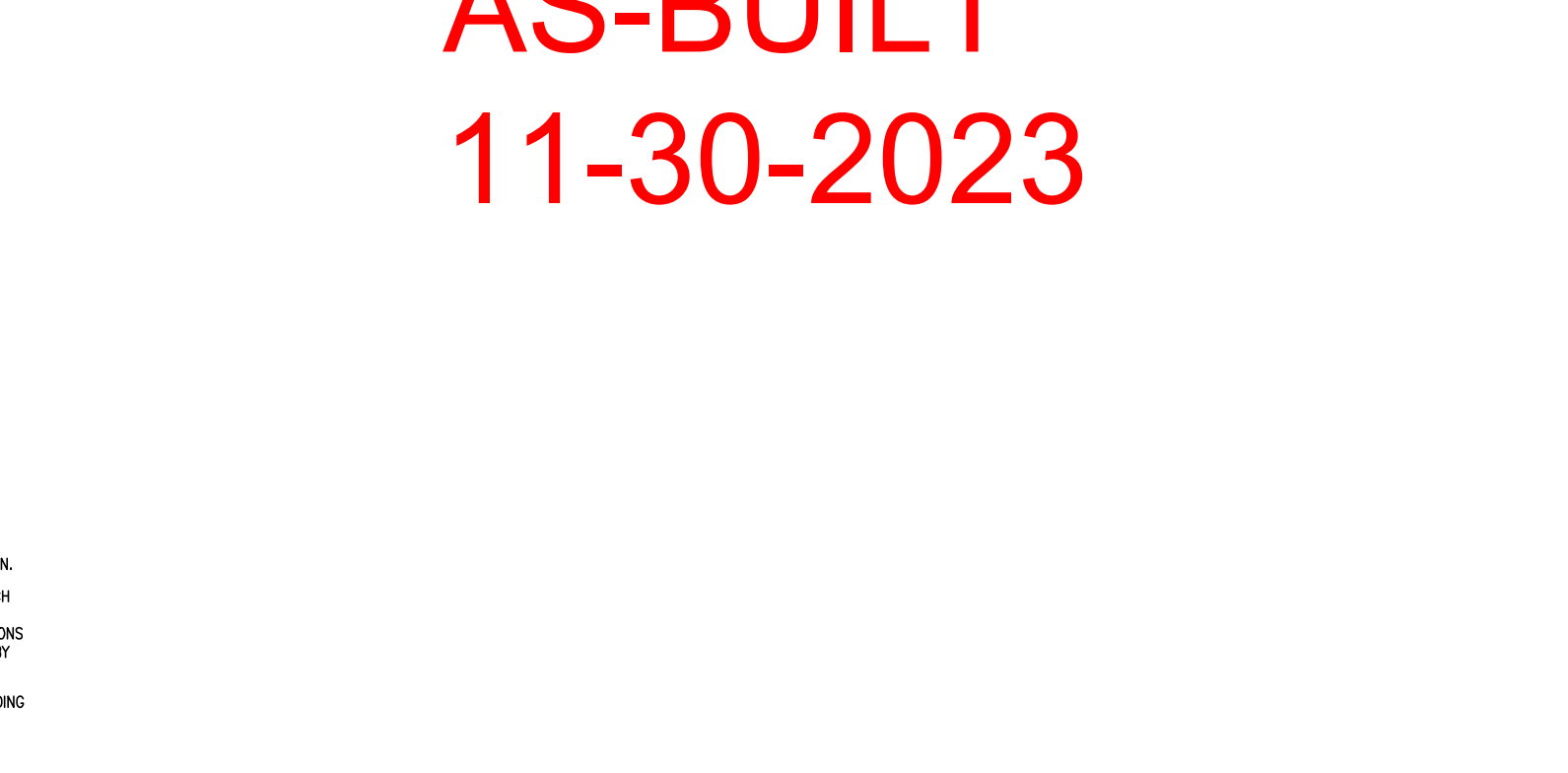
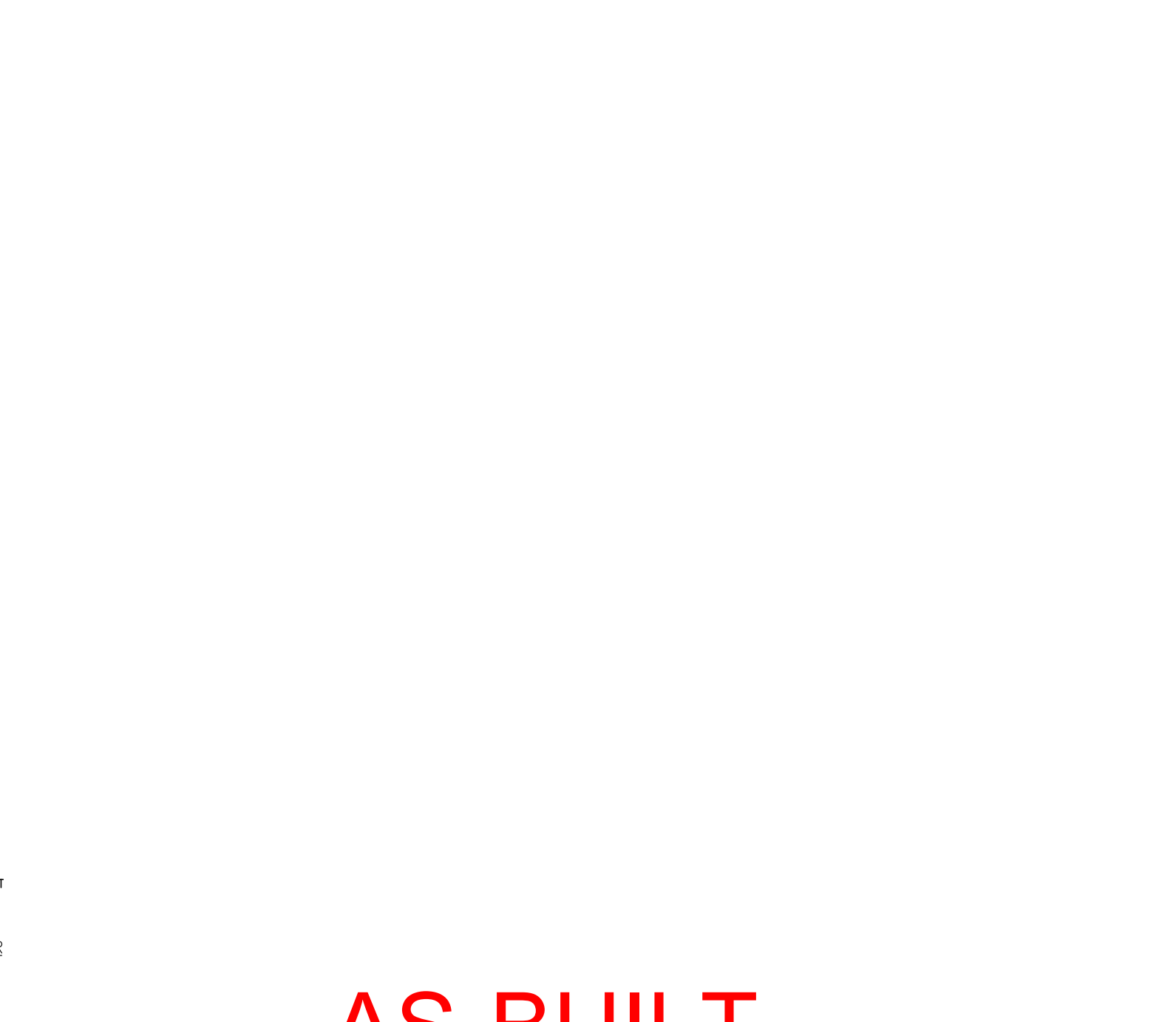
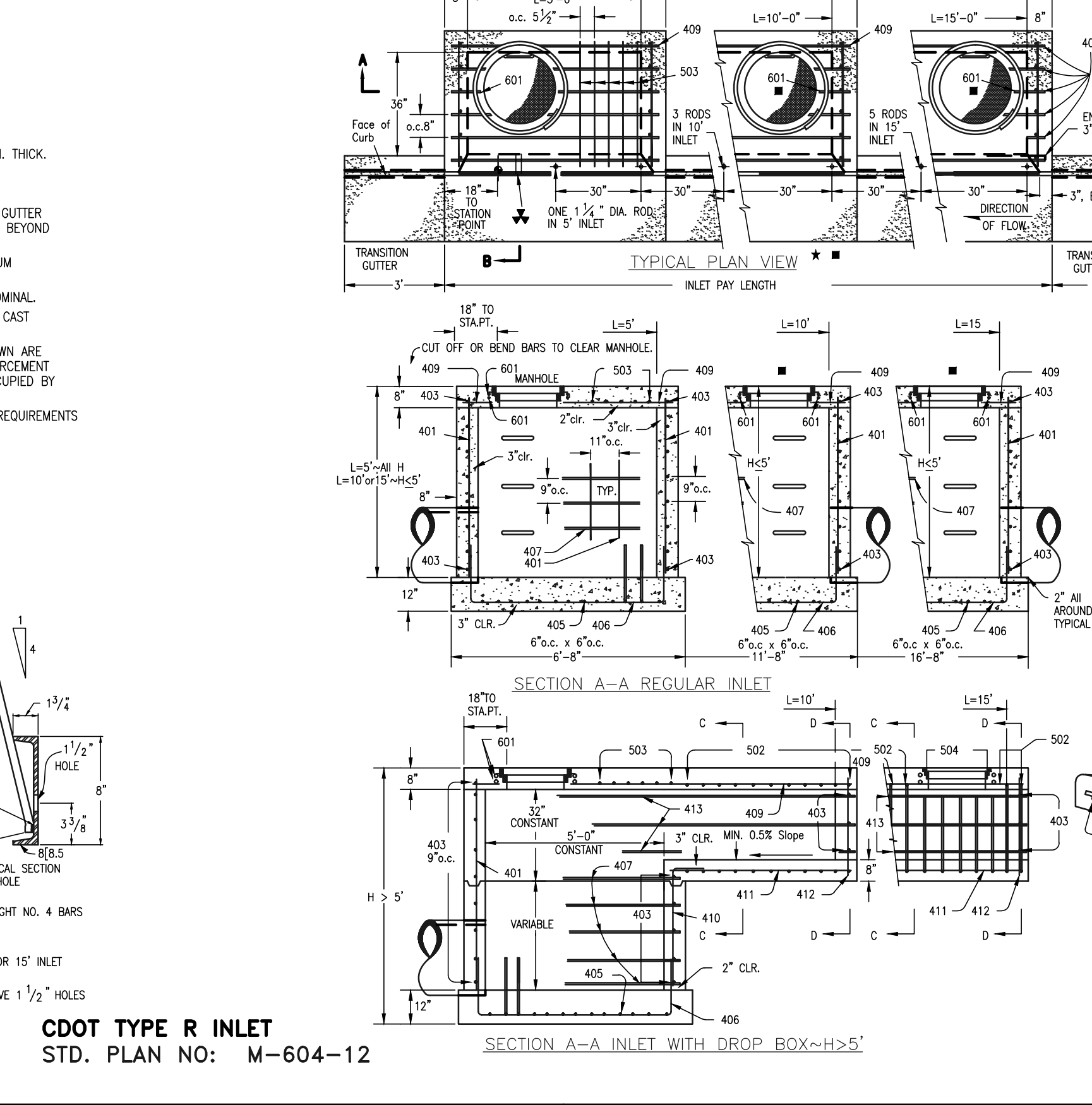
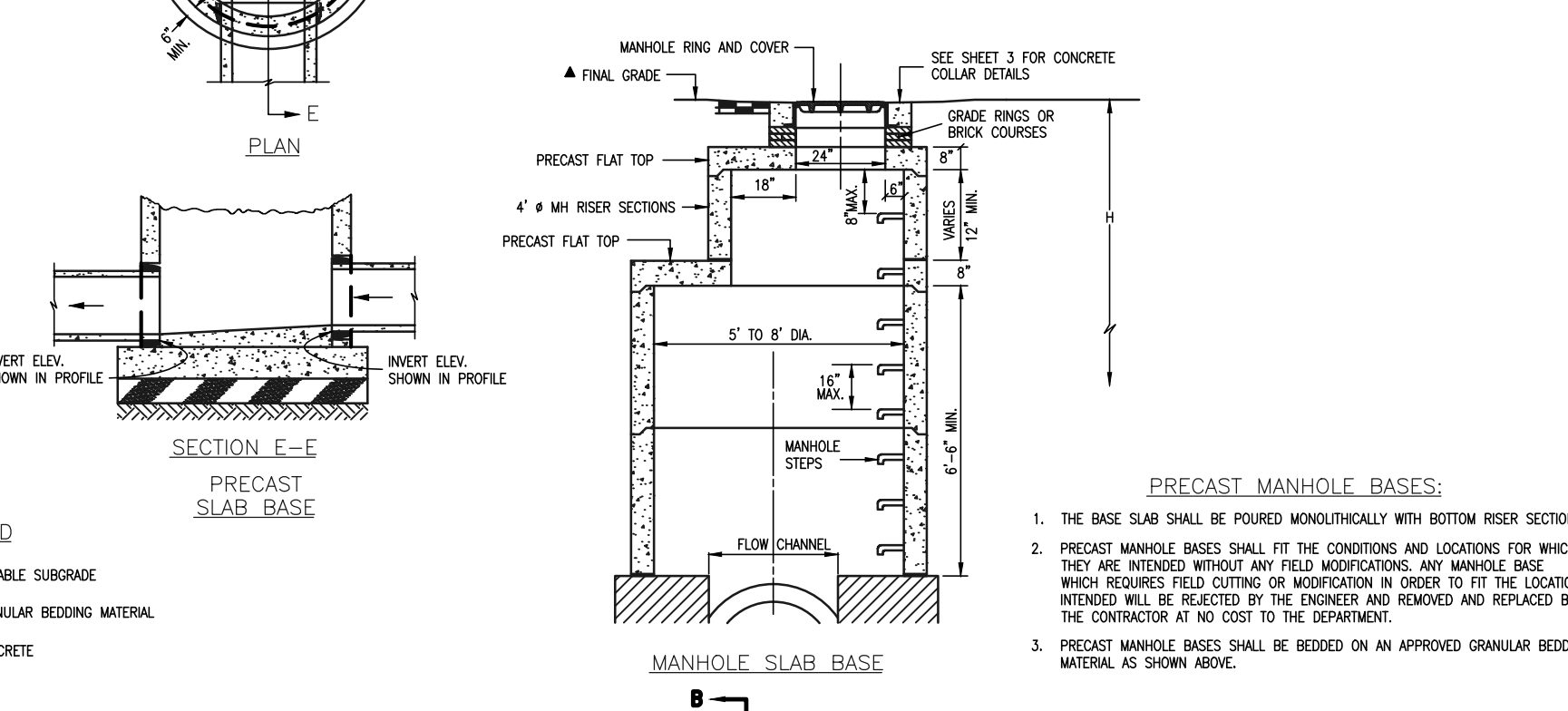
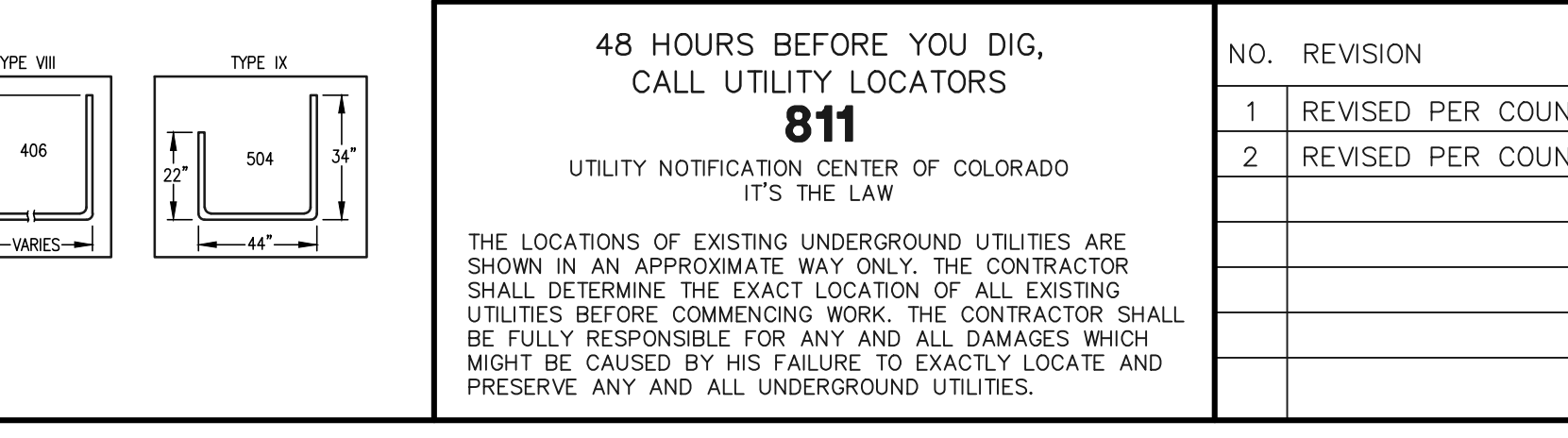
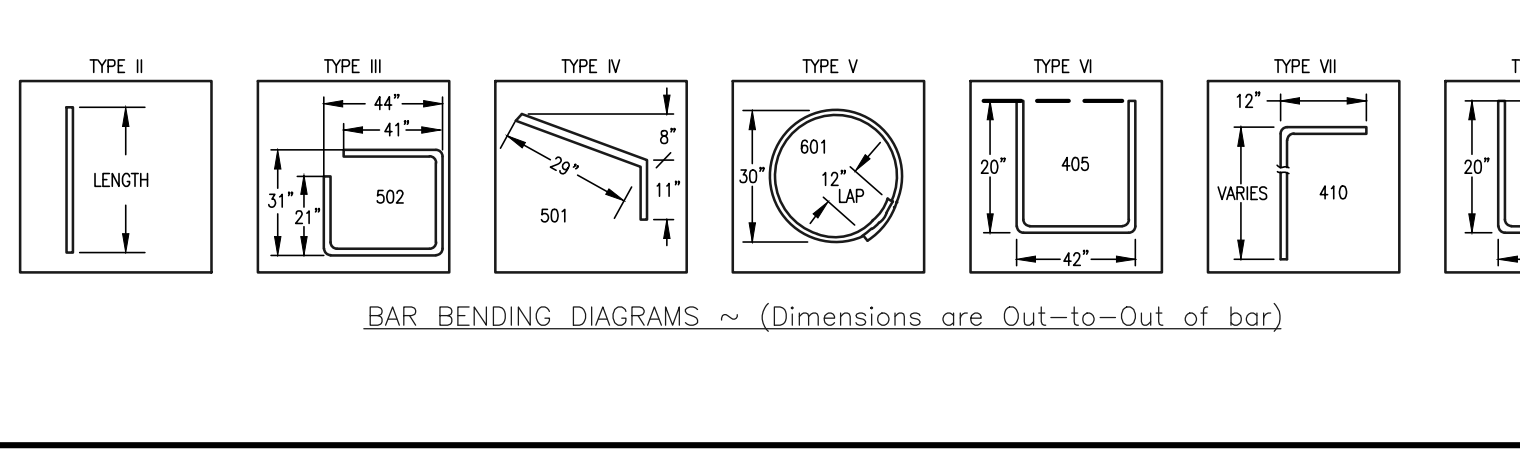
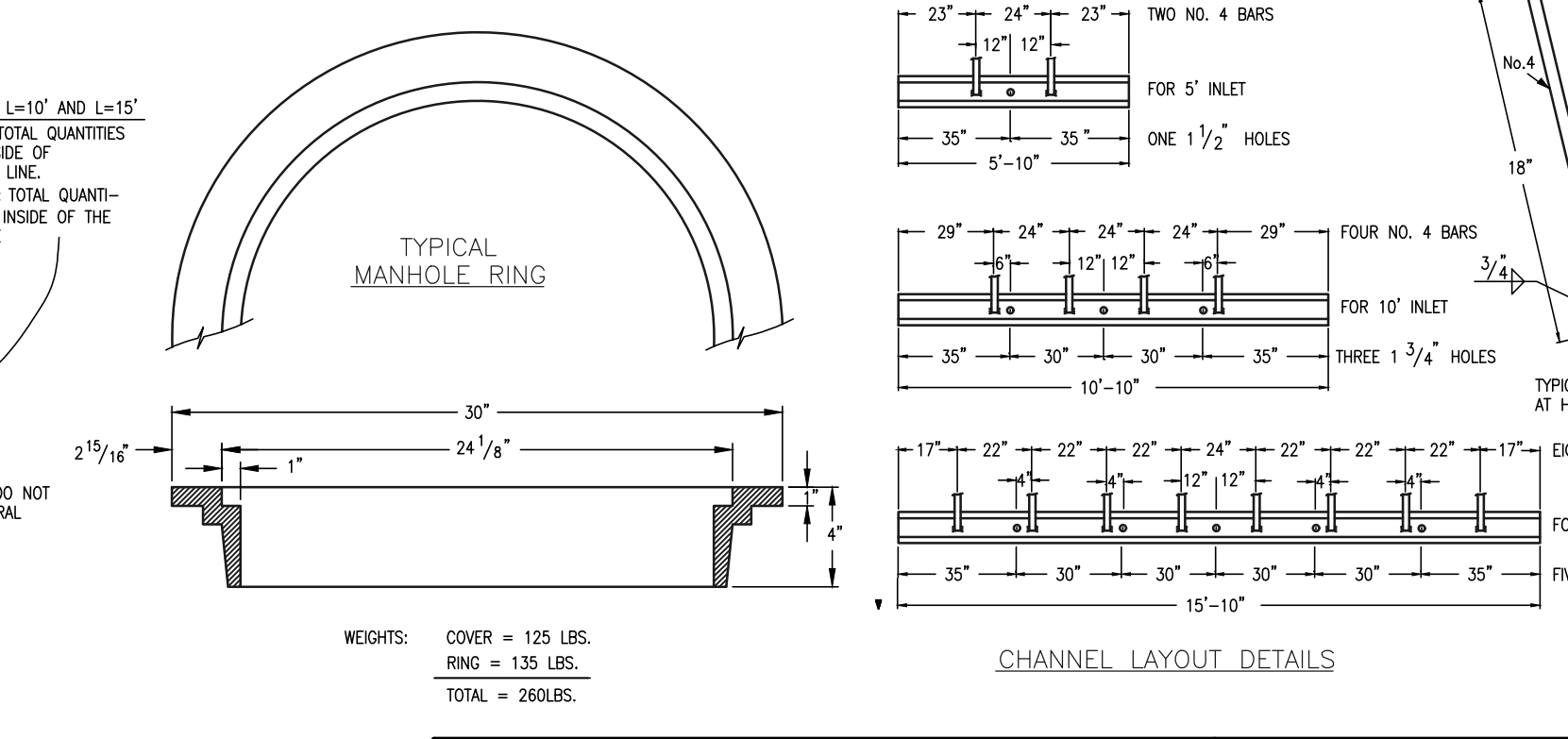


TABLE TWO ~ BARS AND QUANTITIES VARIABLE WITH "H"

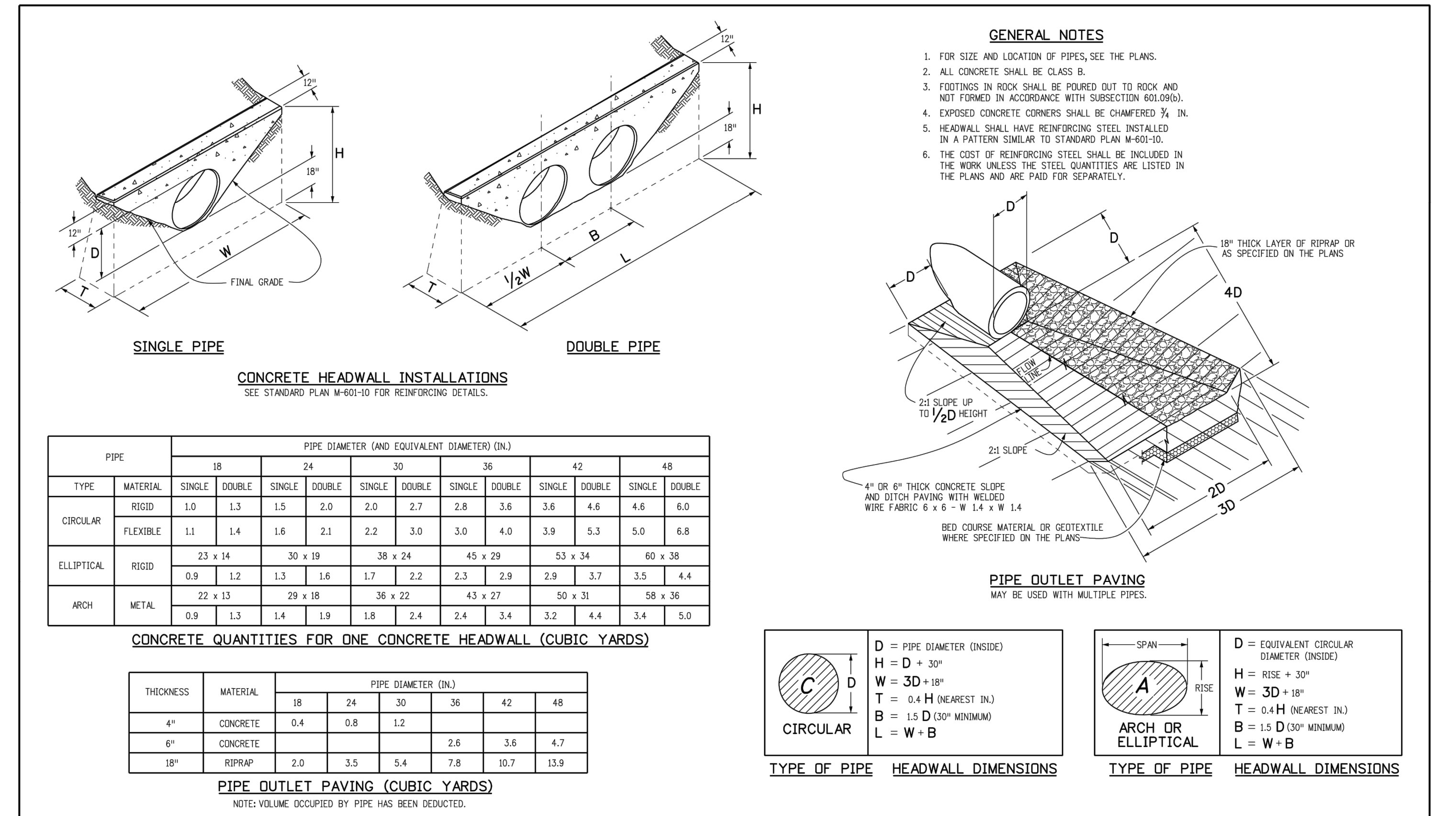
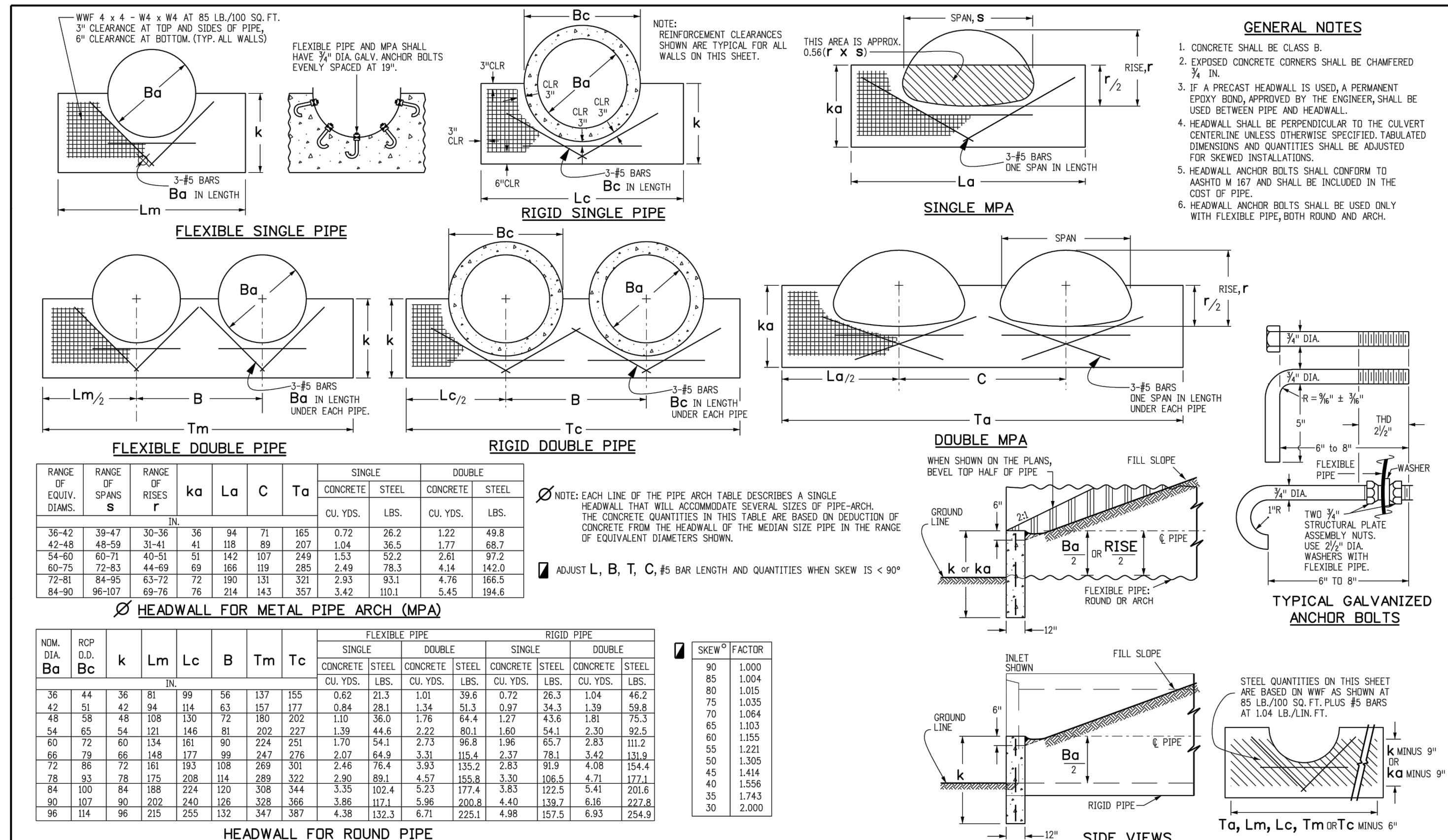
H"	LENGTH	NO. REQ'D.		NO. REQ'D.		L=5'		L=10'		L=15'	
		REGULAR	DROP BOX	REGULAR	DROP BOX	CONC.	ST. STEEL	CONC.	ST. STEEL	CONC.	ST. STEEL
3'-0"	2'-8"	1	7	3	285	5.3	497	7.4	747		
3'-6"	3'-2"	1	7	3	305	5.7	528	7.9	747		
4'-0"	3'-8"	1	7	3	326	6.0	559	8.4	786		
4'-6"	4'-2"	1	7	3	346	6.4	571	8.8	803		
5'-0"	4'-8"	1	7	3	367	6.7	602	9.3	844		
5'-6"	5'-2"	1	7	3	387	7.0	633	9.8	885		
6'-0"	5'-8"	1	7	3	408	7.3	664	10.3	926		
6'-6"	6'-2"	1	7	3	428	7.6	695	10.8	967		
7'-0"	6'-8"	1	7	3	449	7.9	726	11.3	1008		
7'-6"	7'-2"	1	7	3	470	8.2	757	11.8	1049		
8'-0"	7'-8"	1	7	3	491	8.5	788	12.3	1090		
8'-6"	8'-2"	1	7	3	512	8.8	819	12.8	1131		
9'-0"	8'-8"	1	7	3	533	9.1	850	13.3	1172		
9'-6"	9'-2"	1	7	3	554	9.4	881	13.8	1213		
10'-0"	9'-8"	1	7	3	575	9.7	912	14.3	1254		
10'-6"	10'-2"	1	7	3	596	10.0	943	14.8	1295		
11'-0"	10'-8"	1	7	3	617	10.3	974	15.3	1336		



RETREAT AT TIMBERIDGE FILING NO. 2
CONSTRUCTION PLANS
DETAIL SHEET

DESIGNED BY MAW SCALE DATE 04-05-21
DRAWN BY MAW (H) 1"= NA SHEET 23A OF 24
CHECKED BY (V) 1"= NA JOB NO. 1185.20

CLASSIC CONSULTING
619 N. Cascade Avenue, Suite 200
Colorado Springs, Colorado 80903
(719)785-0790
(719)785-0799(Fax)



Computer File Information

Creation Date: 07/31/19
 Designer: JBR
 Last Modification Date: 07/31/19
 Detailer: LTA
 CAD Ver: MicroStation V8 Scale: Not to Scale Units: English

Sheet Revisions

Date	Comments
(RECD)	
(RECD)	
(RECD)	

Colorado Department of Transportation
 2829 West Howard Place
 CDOT HQ, 3rd Floor
 Denver, CO 80204
 Phone: 303-757-9021 FAX: 303-757-9888
 Project Development Branch JBR

TYPE "S" SADDLE HEADWALLS FOR PIPE
 STANDARD PLAN NO. M-601-11
 Standard Sheet No. 1 of 1
 Issued by the Project Development Branch July 31, 2019
 Project Sheet Number:

Computer File Information

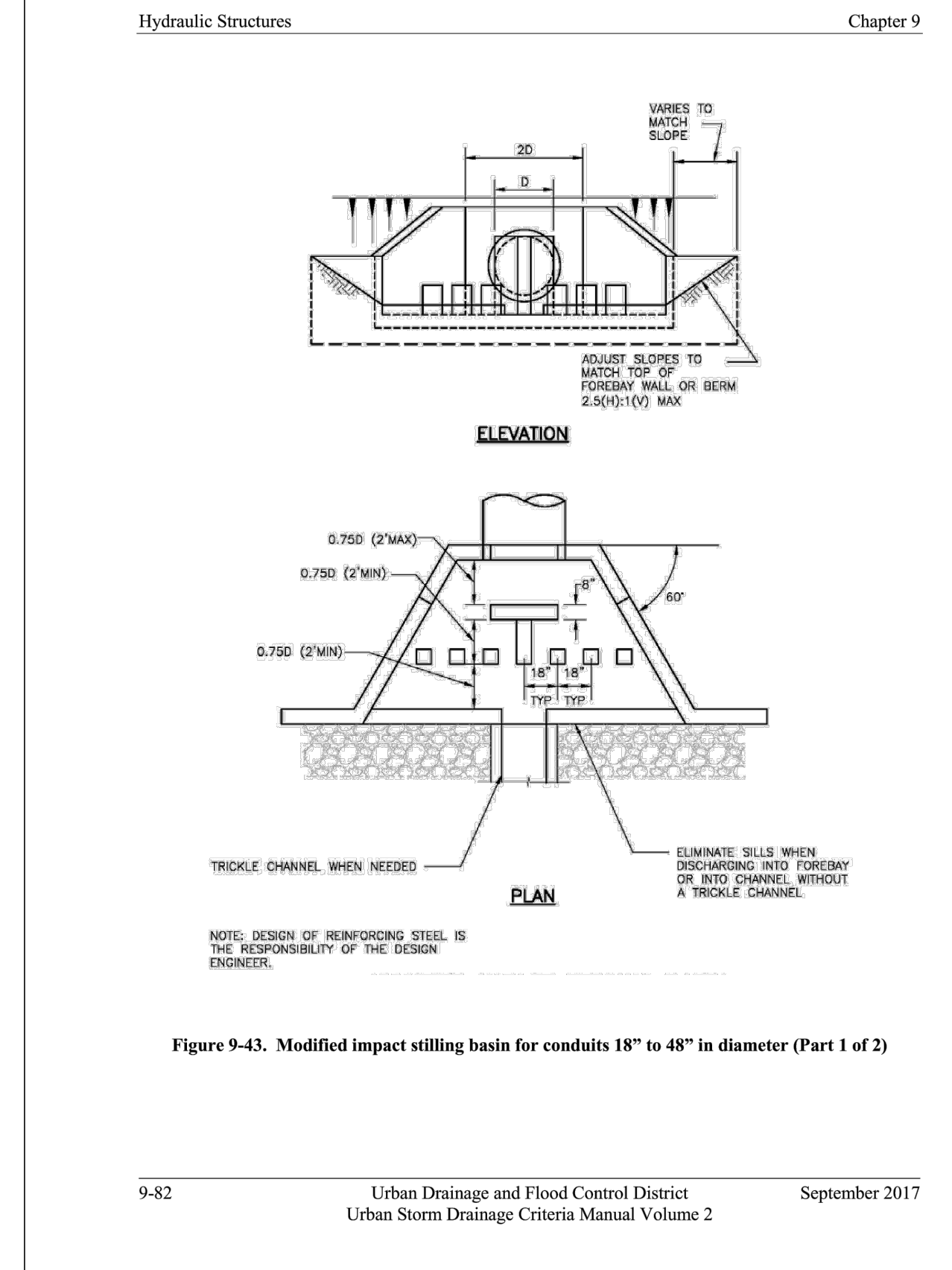
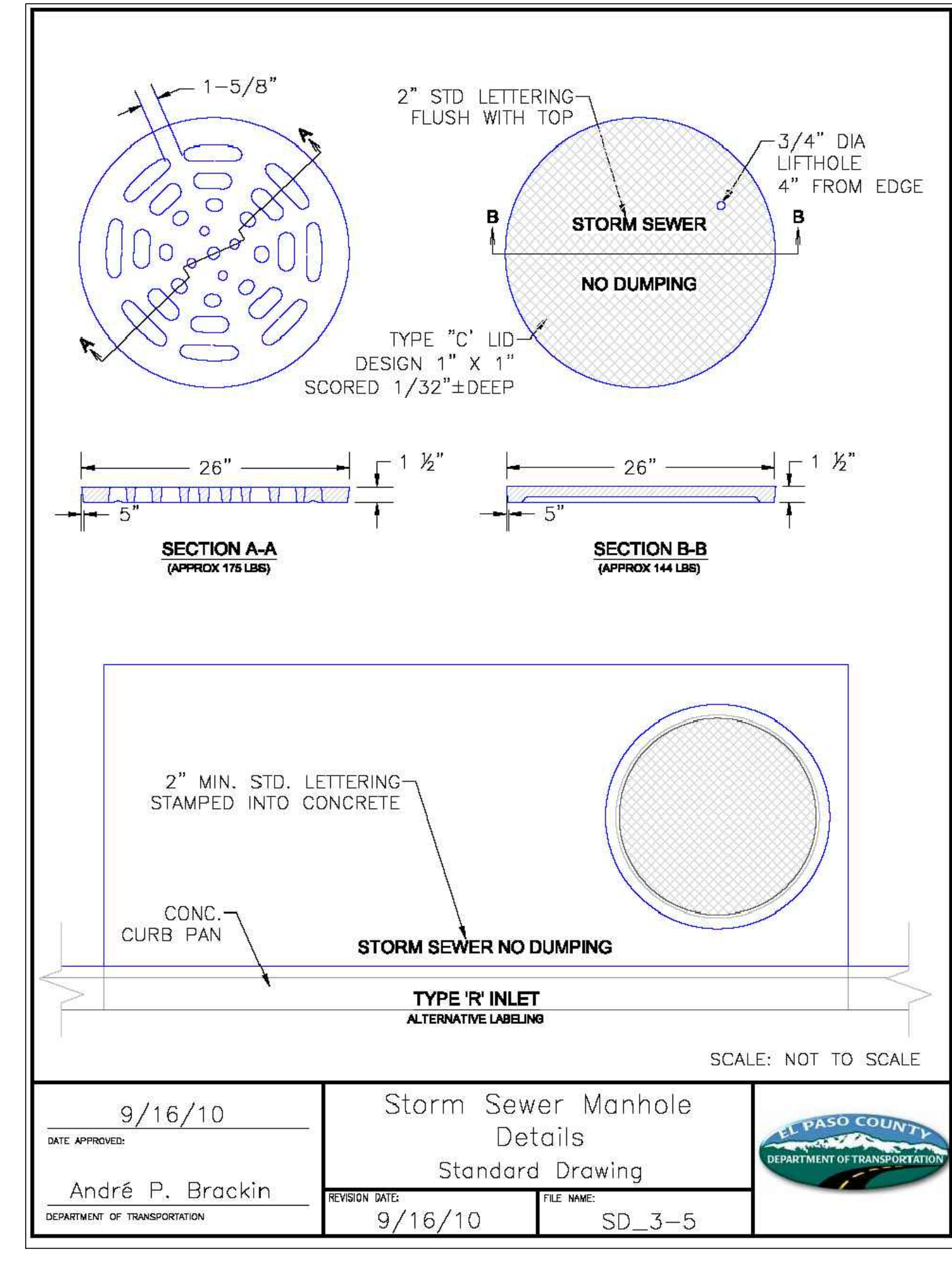
Creation Date: 07/04/12
 Designer: LTA
 Last Modification Date: 07/04/12
 Detailer: LTA
 CAD Ver: MicroStation V8 Scale: Not to Scale Units: English

Sheet Revisions

Date	Comments
(RECD)	
(RECD)	
(RECD)	

Colorado Department of Transportation
 4201 East Arkansas Avenue
 Denver, Colorado 80222
 Phone: (303) 757-9823
 Fax: (303) 757-9820
 Project Development Branch DD/LTA

HEADWALLS AND PIPE OUTLET PAVING
 STANDARD PLAN NO. M-601-12
 Sheet No. 1 of 1
 Issued By: Project Development Branch July 4, 2012



AS-BUILT
11-30-2023

NO.	REVISION	DATE	REVIEW:
1	REVISED PER COUNTY COMMENTS	3/16/12	MARC A. WHORTON

48 HOURS BEFORE YOU DIG, CALL UTILITY LOCATORS
811
 UTILITY NOTIFICATION CENTER OF COLORADO
 IT'S THE LAW

THE LOCATIONS OF EXISTING UNDERGROUND UTILITIES ARE SHOWN IN AN APPROXIMATE WAY ONLY. THE CONTRACTOR SHALL DETERMINE THE EXACT LOCATION OF ALL EXISTING UTILITIES BEFORE COMMENCING WORK. THE CONTRACTOR SHALL BE FULLY RESPONSIBLE FOR ANY AND ALL DAMAGES WHICH MIGHT BE CAUSED BY HIS FAILURE TO EXACTLY LOCATE AND PRESERVE ANY AND ALL UNDERGROUND UTILITIES.

PREPARED UNDER MY DIRECT SUPERVISION FOR AND ON BEHALF OF CLASSIC CONSULTING ENGINEERS AND SURVEYORS, LLC
 3/23/2022
 MARC A. WHORTON, COLORADO REGISTERED PROFESSIONAL ENGINEER NO. 37155

CLASSIC CONSULTING

RETREAT AT TIMBERIDGE FILING NO. 2
 CONSTRUCTION PLANS
 DETAIL SHEET

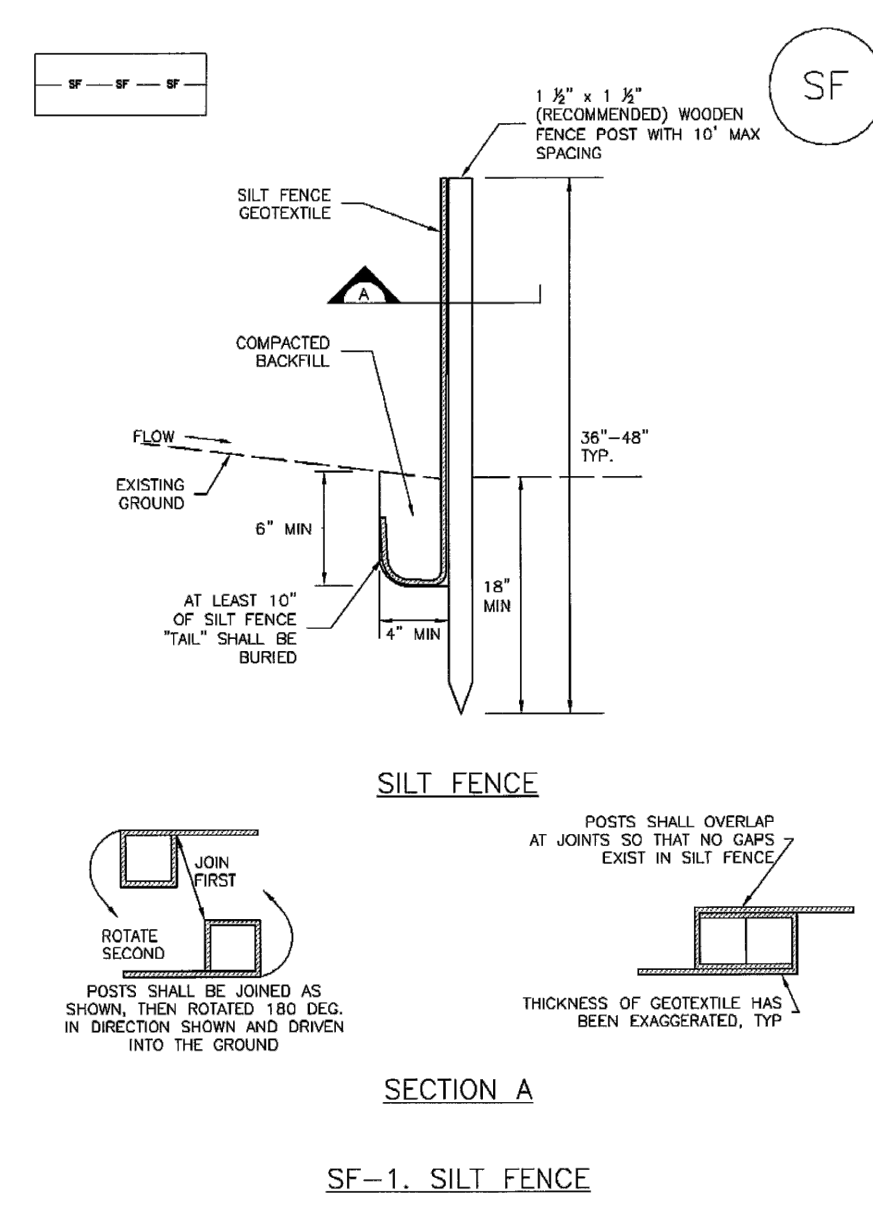
DESIGNED BY: MAW SCALE: DATE: 04-05-21
 DRAWN BY: MAW (H) 1" = NA SHEET 23B OF 24
 CHECKED BY: (V) 1" = NA JOB NO. 1185.20

619 N. Cascade Avenue, Suite 200 Colorado Springs, Colorado 80903 (719) 785-0790 (719) 785-0790 (Fax)

EPC 6/24/22

Silt Fence (SF)

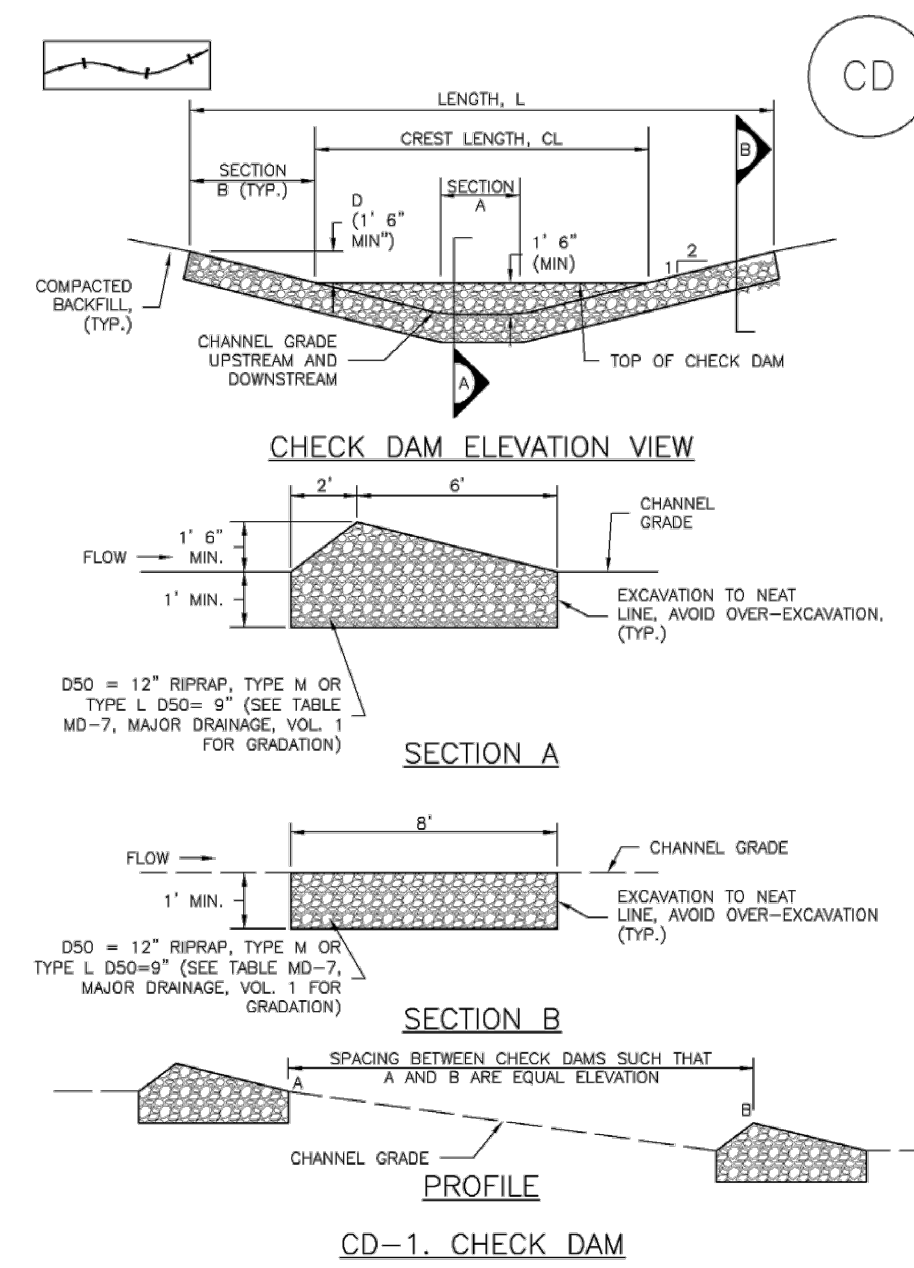
SC-1



November 2010 Urban Drainage and Flood Control District Urban Storm Drainage Criteria Manual Volume 3 SF-3

Check Dams (CD)

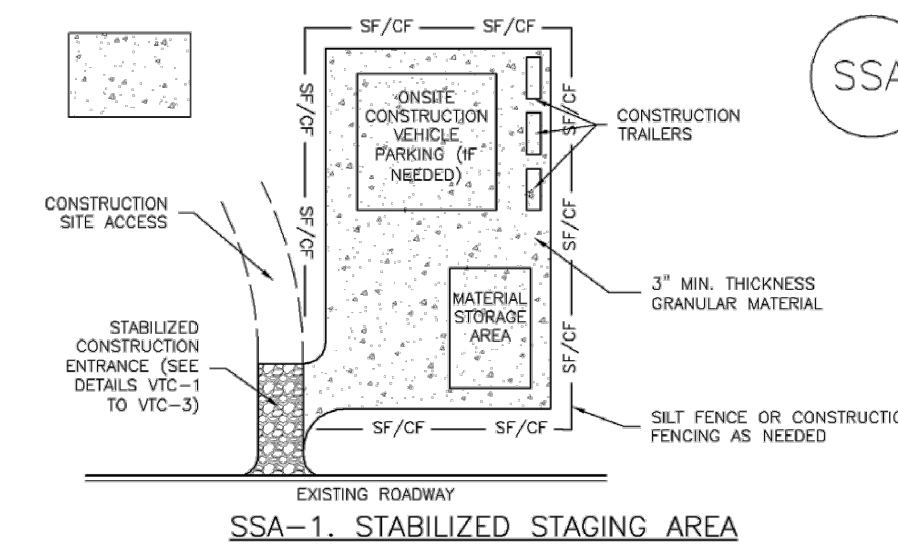
EC-12



November 2010 Urban Drainage and Flood Control District Urban Storm Drainage Criteria Manual Volume 3 CD-3

Stabilized Staging Area (SSA)

SM-6



SSA-1. STABILIZED STAGING AREA

STABILIZED STAGING AREA INSTALLATION NOTES

- SEE PLAN VIEW FOR:
 - LOCATION OF STAGING AREA(S).
 - CONTRACTOR MAY ADJUST LOCATION AND SIZE OF STAGING AREA WITH APPROVAL FROM THE LOCAL JURISDICTION.
- STABILIZED STAGING AREA SHOULD BE APPROPRIATE FOR THE NEEDS OF THE SITE. OVERSIZING RESULTS IN A LARGER AREA TO STABILIZE FOLLOWING CONSTRUCTION.
- STAGING AREA SHALL BE STABILIZED PRIOR TO OTHER OPERATIONS ON THE SITE.
- THE STABILIZED STAGING AREA SHALL CONSIST OF A MINIMUM 3\"/>

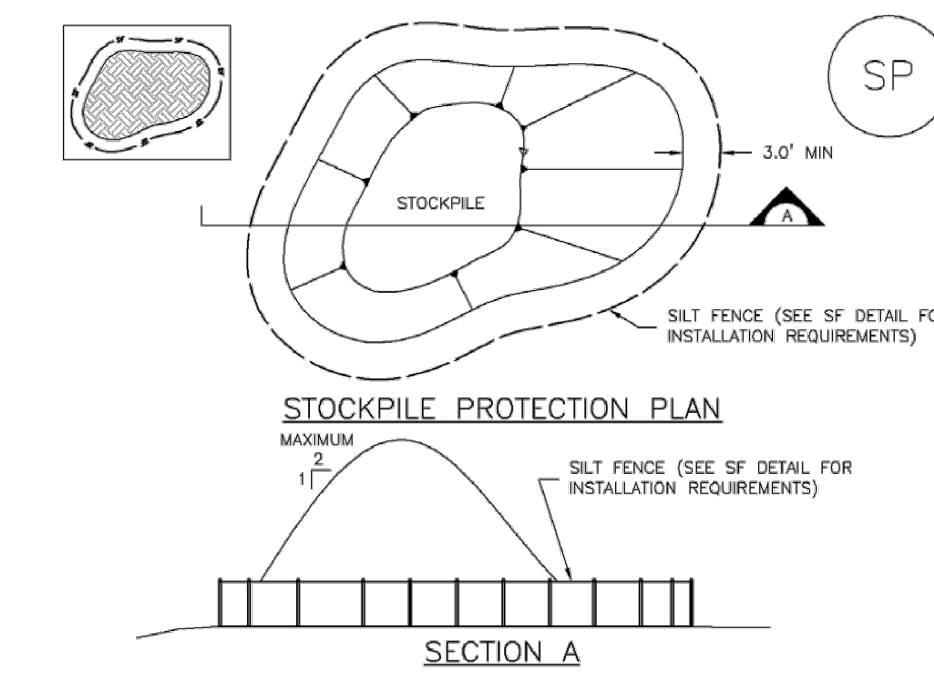
STABILIZED STAGING AREA MAINTENANCE NOTES

- INSPECT BMPs EACH WORKDAY, AND MAINTAIN THEM IN EFFECTIVE OPERATING CONDITION. MAINTENANCE OF BMPs SHOULD BE PROACTIVE, NOT REACTIVE. INSPECT BMPs AS SOON AS POSSIBLE (AND ALWAYS WITHIN 24 HOURS) FOLLOWING A STORM THAT CAUSES SURFACE EROSION, AND PERFORM NECESSARY MAINTENANCE.
- FREQUENT OBSERVATIONS AND MAINTENANCE ARE NECESSARY TO MAINTAIN BMPs IN EFFECTIVE OPERATING CONDITION. INSPECTIONS AND CORRECTIVE MEASURES SHOULD BE DOCUMENTED THOROUGHLY.
- WHERE BMPs HAVE FAILED, REPAIR OR REPLACEMENT SHOULD BE INITIATED UPON DISCOVERY OF THE FAILURE.
- ROCK SHALL BE REAPPLIED OR REGRADED AS NECESSARY IF RUTTING OCCURS OR UNDERLYING SUBGRADE BECOMES EXPOSED.

November 2010 Urban Drainage and Flood Control District Urban Storm Drainage Criteria Manual Volume 3 SSA-3

Stockpile Management (SP)

MM-2



SP-1. STOCKPILE PROTECTION

STOCKPILE PROTECTION INSTALLATION NOTES

- SEE PLAN VIEW FOR:
 - LOCATION OF STOCKPILES.
 - TYPE OF STOCKPILE PROTECTION.
- INSTALL PERIMETER CONTROLS IN ACCORDANCE WITH THEIR RESPECTIVE DESIGN DETAILS. SILT FENCE IS SHOWN IN THE STOCKPILE PROTECTION DETAILS; HOWEVER, OTHER TYPES OF PERIMETER CONTROLS INCLUDING SEDIMENT CONTROL LOGS OR ROCK SOCKS MAY BE SUITABLE IN SOME CIRCUMSTANCES. CONSIDERATIONS FOR DETERMINING THE APPROPRIATE TYPE OF PERIMETER CONTROL FOR A STOCKPILE INCLUDE WHETHER THE STOCKPILE IS LOCATED ON A PERVIOUS OR IMPERVIOUS SURFACE, THE RELATIVE HEIGHTS OF THE PERIMETER CONTROL AND STOCKPILE, THE ABILITY OF THE PERIMETER CONTROL TO CONTAIN THE STOCKPILE WITHOUT FAILING IN THE EVENT THAT MATERIAL FROM THE STOCKPILE SHIFTS OR SLIPS AGAINST THE PERIMETER, AND OTHER FACTORS.
- STABILIZE THE STOCKPILE SURFACE WITH SURFACE ROUGHENING, TEMPORARY SEEDING AND MULCHING, EROSION CONTROL BLANKETS, OR SOIL BINDERS. SOILS STOCKPILED FOR AN EXTENDED PERIOD (TYPICALLY FOR MORE THAN 60 DAYS) SHOULD BE SEEDING AND MULCHED WITH A TEMPORARY GRASS COVER ONCE THE STOCKPILE IS PLACED (TYPICALLY WITHIN 14 DAYS). USE OF MULCH ONLY OR A SOIL BINDER IS ACCEPTABLE IF THE STOCKPILE WILL BE IN PLACE FOR A MORE LIMITED TIME PERIOD (TYPICALLY 30-60 DAYS).
- FOR TEMPORARY STOCKPILES ON THE INTERIOR PORTION OF A CONSTRUCTION SITE, WHERE OTHER DOWNGRADIENT CONTROLS, INCLUDING PERIMETER CONTROL, ARE IN PLACE, STOCKPILE PERIMETER CONTROLS MAY NOT BE REQUIRED.

STOCKPILE PROTECTION MAINTENANCE NOTES

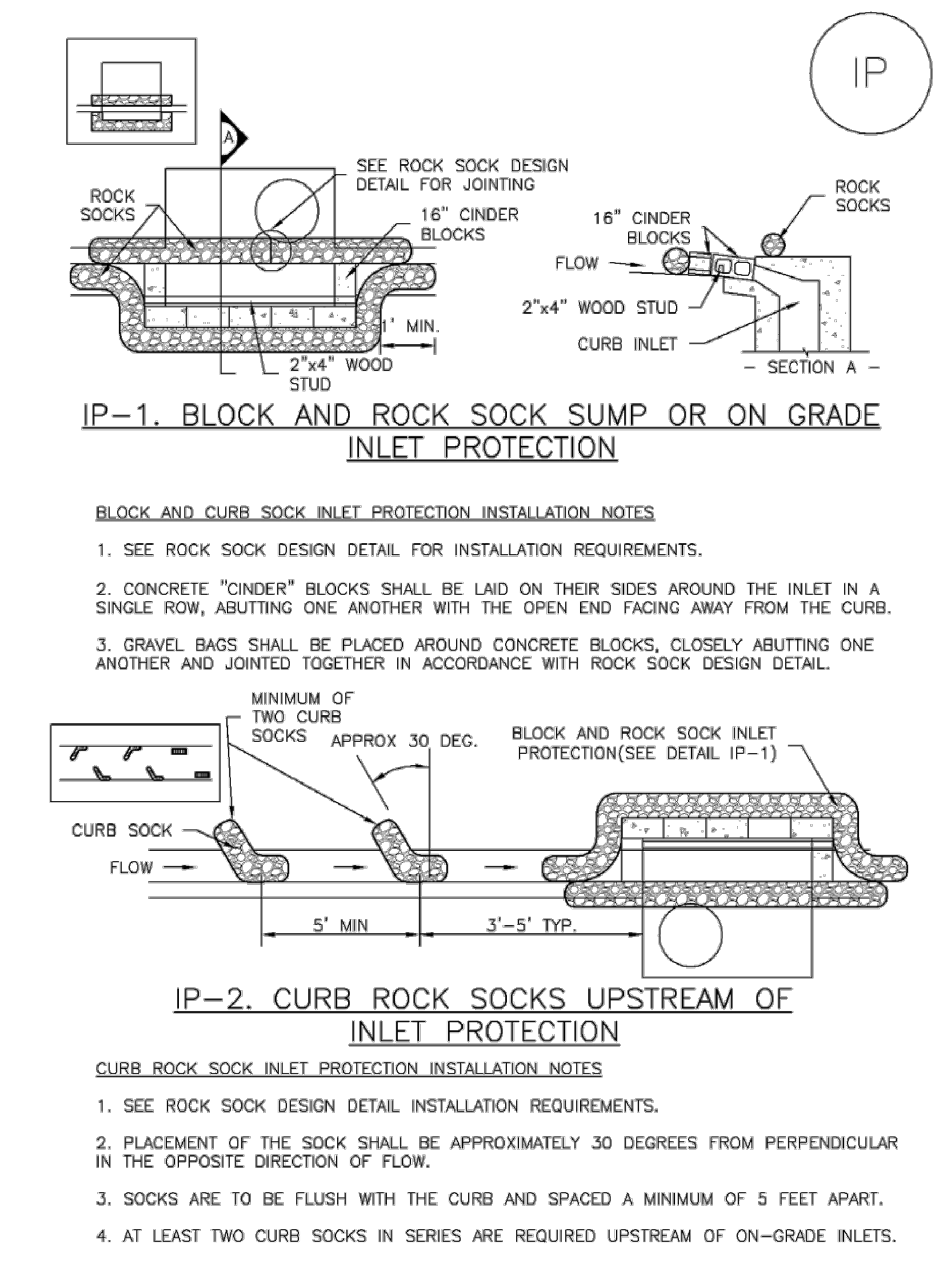
- INSPECT BMPs EACH WORKDAY, AND MAINTAIN THEM IN EFFECTIVE OPERATING CONDITION. MAINTENANCE OF BMPs SHOULD BE PROACTIVE, NOT REACTIVE. INSPECT BMPs AS SOON AS POSSIBLE (AND ALWAYS WITHIN 24 HOURS) FOLLOWING A STORM THAT CAUSES SURFACE EROSION, AND PERFORM NECESSARY MAINTENANCE.
- FREQUENT OBSERVATIONS AND MAINTENANCE ARE NECESSARY TO MAINTAIN BMPs IN EFFECTIVE OPERATING CONDITION. INSPECTIONS AND CORRECTIVE MEASURES SHOULD BE DOCUMENTED THOROUGHLY.
- WHERE BMPs HAVE FAILED, REPAIR OR REPLACEMENT SHOULD BE INITIATED UPON DISCOVERY OF THE FAILURE.
- IF PERIMETER PROTECTION MUST BE MOVED TO ACCESS SOIL STOCKPILE, REPLACE PERIMETER CONTROLS BY THE END OF THE WORKDAY.
- STOCKPILE PERIMETER CONTROLS CAN BE REMOVED ONCE ALL THE MATERIAL FROM THE STOCKPILE HAS BEEN USED.

(DETAILS ADAPTED FROM PARKER COUNTY, COLORADO, NOT AVAILABLE IN AUTOCAD)

November 2010 Urban Drainage and Flood Control District Urban Storm Drainage Criteria Manual Volume 3 SP-3

SC-6

Inlet Protection (IP)



November 2010 Urban Drainage and Flood Control District Urban Storm Drainage Criteria Manual Volume 3 August 2013

SC-1

Silt Fence (SF)

SILT FENCE INSTALLATION NOTES

- SILT FENCE MUST BE PLACED AWAY FROM THE TOE OF THE SLOPE TO ALLOW FOR WATER PONDING. SILT FENCE AT THE TOE OF A SLOPE SHOULD BE INSTALLED IN A FLAT LOCATION AT LEAST SEVERAL FEET (2-5 FT) FROM THE TOE OF THE SLOPE TO ALLOW ROOM FOR PONDING AND DEPOSITION.
- A UNIFORM 6\"/>

SILT FENCE MAINTENANCE NOTES

- INSPECT BMPs EACH WORKDAY, AND MAINTAIN THEM IN EFFECTIVE OPERATING CONDITION. MAINTENANCE OF BMPs SHOULD BE PROACTIVE, NOT REACTIVE. INSPECT BMPs AS SOON AS POSSIBLE (AND ALWAYS WITHIN 24 HOURS) FOLLOWING A STORM THAT CAUSES SURFACE EROSION, AND PERFORM NECESSARY MAINTENANCE.
- FREQUENT OBSERVATIONS AND MAINTENANCE ARE NECESSARY TO MAINTAIN BMPs IN EFFECTIVE OPERATING CONDITION. INSPECTIONS AND CORRECTIVE MEASURES SHOULD BE DOCUMENTED THOROUGHLY.
- WHERE BMPs HAVE FAILED, REPAIR OR REPLACEMENT SHOULD BE INITIATED UPON DISCOVERY OF THE FAILURE.
- SEDIMENT ACCUMULATED UPSTREAM OF THE SILT FENCE SHALL BE REMOVED AS NEEDED TO MAINTAIN THE FUNCTIONALITY OF THE BMP, TYPICALLY WHEN DEPTH OF ACCUMULATED SEDIMENTS IS APPROXIMATELY 4\"/>

(DETAILS ADAPTED FROM TOWN OF PARKER, COLORADO AND CITY OF AURORA, NOT AVAILABLE IN AUTOCAD)

NOTE: MANY JURISDICTIONS HAVE BMP DETAILS THAT VARY FROM UDFCD STANDARD DETAILS. CONSULT WITH LOCAL JURISDICTIONS AS TO WHICH DETAIL SHOULD BE USED WHEN DIFFERENCES ARE NOTED.

SF-4 Urban Drainage and Flood Control District Urban Storm Drainage Criteria Manual Volume 3 November 2010

EC-12

Check Dams (CD)

CHECK DAM INSTALLATION NOTES

- SEE PLAN VIEW FOR:
 - LOCATION OF CHECK DAMS.
 - CHECK DAM TYPE (CHECK DAM OR REINFORCED CHECK DAM).
 - LENGTH (L), CREST LENGTH (CL), AND DEPTH (D).
- CHECK DAMS INDICATED ON INITIAL SWMP SHALL BE INSTALLED AFTER CONSTRUCTION FENCE, BUT PRIOR TO ANY UPSTREAM LAND DISTURBING ACTIVITIES.
- RIPRAP UTILIZED FOR CHECK DAMS SHOULD BE OF APPROPRIATE SIZE FOR THE APPLICATION. TYPICAL TYPES OF RIPRAP USED FOR CHECK DAMS ARE TYPE M (D50 1/2\"/>

CHECK DAM MAINTENANCE NOTES

- INSPECT BMPs EACH WORKDAY, AND MAINTAIN THEM IN EFFECTIVE OPERATING CONDITION. MAINTENANCE OF BMPs SHOULD BE PROACTIVE, NOT REACTIVE. INSPECT BMPs AS SOON AS POSSIBLE (AND ALWAYS WITHIN 24 HOURS) FOLLOWING A STORM THAT CAUSES SURFACE EROSION, AND PERFORM NECESSARY MAINTENANCE.
- FREQUENT OBSERVATIONS AND MAINTENANCE ARE NECESSARY TO MAINTAIN BMPs IN EFFECTIVE OPERATING CONDITION. INSPECTIONS AND CORRECTIVE MEASURES SHOULD BE DOCUMENTED THOROUGHLY.
- WHERE BMPs HAVE FAILED, REPAIR OR REPLACEMENT SHOULD BE INITIATED UPON DISCOVERY OF THE FAILURE.
- SEDIMENT ACCUMULATED UPSTREAM OF THE CHECK DAMS SHALL BE REMOVED WHEN THE SEDIMENT DEPTH IS WITHIN 1/2 OF THE HEIGHT OF THE CREST.
- CHECK DAMS ARE TO REMAIN IN PLACE UNTIL THE UPSTREAM DISTURBED AREA IS STABILIZED AND APPROVED BY THE LOCAL JURISDICTION.
- WHEN CHECK DAMS ARE REMOVED, EXCAVATIONS SHALL BE FILLED WITH SUITABLE COMPACTED BACKFILL. DISTURBED AREA SHALL BE SEEDING AND MULCHED AND COVERED WITH GEOTEXTILE OR OTHERWISE STABILIZED IN A MANNER APPROVED BY THE LOCAL JURISDICTION.

(DETAILS ADAPTED FROM DOUGLAS COUNTY, COLORADO, NOT AVAILABLE IN AUTOCAD)

NOTE: MANY JURISDICTIONS HAVE BMP DETAILS THAT VARY FROM UDFCD STANDARD DETAILS. CONSULT WITH LOCAL JURISDICTIONS AS TO WHICH DETAIL SHOULD BE USED WHEN DIFFERENCES ARE NOTED.

CD-4 Urban Drainage and Flood Control District Urban Storm Drainage Criteria Manual Volume 3 November 2010

SM-6

Stabilized Staging Area (SSA)

STABILIZED STAGING AREA MAINTENANCE NOTES

- STABILIZED STAGING AREA SHALL BE ENLARGED IF NECESSARY TO CONTAIN PARKING, STORAGE, AND UNLOADING/LOADING OPERATIONS.
- THE STABILIZED STAGING AREA SHALL BE REMOVED AT THE END OF CONSTRUCTION, THE GRANULAR MATERIAL SHALL BE REMOVED OR, IF APPROVED BY THE LOCAL JURISDICTION, USED ON SITE, AND THE AREA COVERED WITH TOPSOIL, SEEDING AND MULCHED OR OTHERWISE STABILIZED IN A MANNER APPROVED BY LOCAL JURISDICTION.

NOTE: MANY JURISDICTIONS PROHIBIT THE USE OF RECYCLED CONCRETE AS GRANULAR MATERIAL FOR STABILIZED STAGING AREAS DUE TO DIFFICULTIES WITH RE-ESTABLISHMENT OF VEGETATION IN AREAS WHERE RECYCLED CONCRETE WAS PLACED.

NOTE: MANY JURISDICTIONS HAVE BMP DETAILS THAT VARY FROM UDFCD STANDARD DETAILS. CONSULT WITH LOCAL JURISDICTIONS AS TO WHICH DETAIL SHOULD BE USED WHEN DIFFERENCES ARE NOTED.

(DETAILS ADAPTED FROM DOUGLAS COUNTY, COLORADO, NOT AVAILABLE IN AUTOCAD)

SSA-4 Urban Drainage and Flood Control District Urban Storm Drainage Criteria Manual Volume 3 November 2010

MM-2

Stockpile Management (SM)

STOCKPILE PROTECTION MAINTENANCE NOTES

- INSPECT BMPs EACH WORKDAY, AND MAINTAIN THEM IN EFFECTIVE OPERATING CONDITION. MAINTENANCE OF BMPs SHOULD BE PROACTIVE, NOT REACTIVE. INSPECT BMPs AS SOON AS POSSIBLE (AND ALWAYS WITHIN 24 HOURS) FOLLOWING A STORM THAT CAUSES SURFACE EROSION, AND PERFORM NECESSARY MAINTENANCE.
- FREQUENT OBSERVATIONS AND MAINTENANCE ARE NECESSARY TO MAINTAIN BMPs IN EFFECTIVE OPERATING CONDITION. INSPECTIONS AND CORRECTIVE MEASURES SHOULD BE DOCUMENTED THOROUGHLY.
- WHERE BMPs HAVE FAILED, REPAIR OR REPLACEMENT SHOULD BE INITIATED UPON DISCOVERY OF THE FAILURE.
- IF PERIMETER PROTECTION MUST BE MOVED TO ACCESS SOIL STOCKPILE, REPLACE PERIMETER CONTROLS BY THE END OF THE WORKDAY.
- STOCKPILE PERIMETER CONTROLS CAN BE REMOVED ONCE ALL THE MATERIAL FROM THE STOCKPILE HAS BEEN USED.

(DETAILS ADAPTED FROM PARKER COUNTY, COLORADO, NOT AVAILABLE IN AUTOCAD)

NOTE: MANY JURISDICTIONS HAVE BMP DETAILS THAT VARY FROM UDFCD STANDARD DETAILS. CONSULT WITH LOCAL JURISDICTIONS AS TO WHICH DETAIL SHOULD BE USED WHEN DIFFERENCES ARE NOTED.

SP-4 Urban Drainage and Flood Control District Urban Storm Drainage Criteria Manual Volume 3 November 2010

AS-BUILT
11-30-2023

EPC 6/24/22

48 HOURS BEFORE YOU DIG,
CALL UTILITY LOCATORS
811

UTILITY NOTIFICATION CENTER OF COLORADO
IT'S THE LAW

THE LOCATIONS OF EXISTING UNDERGROUND UTILITIES ARE SHOWN IN AN APPROXIMATE WAY ONLY. THE CONTRACTOR SHALL DETERMINE THE EXACT LOCATION OF ALL EXISTING UTILITIES BEFORE COMMENCING WORK. THE CONTRACTOR SHALL BE FULLY RESPONSIBLE FOR ANY AND ALL DAMAGES WHICH MIGHT BE CAUSED BY HIS FAILURE TO EXACTLY LOCATE AND PRESERVE ANY AND ALL UNDERGROUND UTILITIES.

NO.	REVISION	DATE
1	REVISED PER COUNTY COMMENTS	2/7/22
2	REVISED PER COUNTY COMMENTS	3/16/22

REVIEW:

PREPARED UNDER MY DIRECT SUPERVISION FOR AND ON BEHALF OF CLASSIC CONSULTING ENGINEERS AND SURVEYORS, LLC

MARC A. WHORTON, COLORADO REGISTERED PROFESSIONAL ENGINEER #37155, DATE 3/23/2022



619 N. Cascade Avenue, Suite 200
Colorado Springs, Colorado 80903
(719) 785-0790
(719) 785-0799 (Fax)

RETREAT AT TIMBERIDGE FILING NO. 2
CONSTRUCTION PLANS

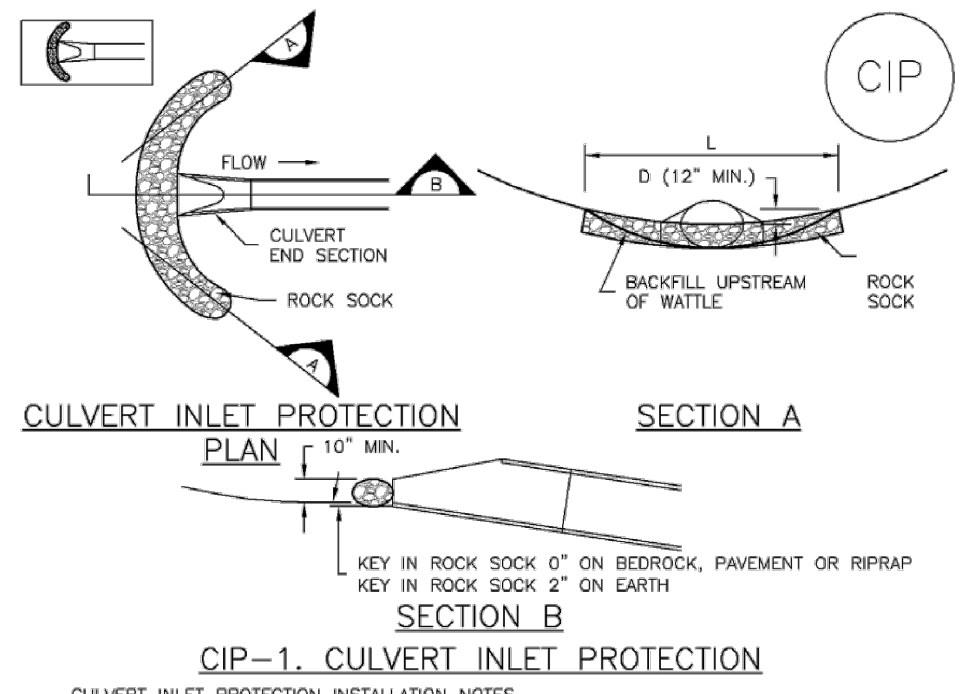
GRADING & EROSION CONTROL PLAN
EROSION CONTROL DETAILS

DESIGNED BY	MAW	SCALE	DATE	02-25-21
DRAWN BY	MAW	(H) 1"= N/A	SHEET 24A	OF 24
CHECKED BY		(V) 1"= N/A	JOB NO.	1185.20



CLASSIC CONSULTING

Inlet Protection (IP) SC-6



CIP-1. CULVERT INLET PROTECTION

CULVERT INLET PROTECTION INSTALLATION NOTES

- SEE PLAN VIEW FOR LOCATION OF CULVERT INLET PROTECTION.
- SEE ROCK SOCK DESIGN DETAIL FOR ROCK GRADATION REQUIREMENTS AND JOINTING DETAILS.

CULVERT INLET PROTECTION MAINTENANCE NOTES

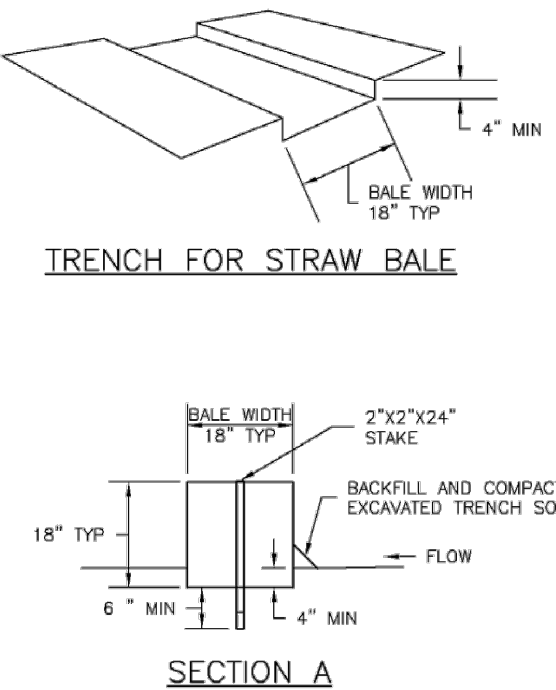
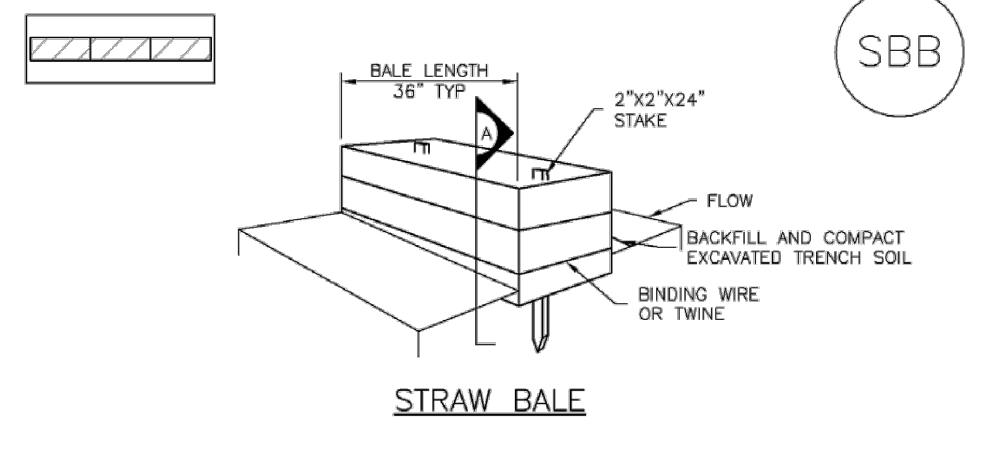
- INSPECT BMPs EACH WORKDAY, AND MAINTAIN THEM IN EFFECTIVE OPERATING CONDITION. MAINTENANCE OF BMPs SHOULD BE PROACTIVE, NOT REACTIVE. INSPECT BMPs AS SOON AS POSSIBLE (AND ALWAYS WITHIN 24 HOURS) FOLLOWING A STORM THAT CAUSES SURFACE EROSION, AND PERFORM NECESSARY MAINTENANCE.
- FREQUENT OBSERVATIONS AND MAINTENANCE ARE NECESSARY TO MAINTAIN BMPs IN EFFECTIVE OPERATING CONDITION. INSPECTIONS AND CORRECTIVE MEASURES SHOULD BE DOCUMENTED THOROUGHLY.
- WHERE BMPs HAVE FAILED, REPAIR OR REPLACEMENT SHOULD BE INITIATED UPON DISCOVERY OF THE FAILURE.
- SEDIMENT ACCUMULATED UPSTREAM OF THE CULVERT SHALL BE REMOVED WHEN THE SEDIMENT DEPTH IS $\frac{1}{2}$ THE HEIGHT OF THE ROCK SOCK.
- CULVERT INLET PROTECTION SHALL REMAIN IN PLACE UNTIL THE UPSTREAM DISTURBED AREA IS PERMANENTLY STABILIZED AND APPROVED BY THE LOCAL JURISDICTION.

(DETAILS ADAPTED FROM AURORA, COLORADO, NOT AVAILABLE IN AUTOCAD)

NOTE: MANY JURISDICTIONS HAVE BMP DETAILS THAT VARY FROM UDFCD STANDARD DETAILS. CONSULT WITH LOCAL JURISDICTIONS AS TO WHICH DETAIL SHOULD BE USED WHEN DIFFERENCES ARE NOTED.

August 2013 Urban Drainage and Flood Control District Urban Storm Drainage Criteria Manual Volume 3 IP-7

Straw Bale Barrier (SBB) SC-3



SBB-1. STRAW BALE

November 2010 Urban Drainage and Flood Control District Urban Storm Drainage Criteria Manual Volume 3 SBB-2

VEHICLE TRACKING

INSTALLATION REQUIREMENTS

- ALL ENTRANCES TO THE CONSTRUCTION SITE ARE TO BE STABILIZED PRIOR TO CONSTRUCTION BEGINNING.
- CONSTRUCTION ENTRANCES ARE TO BE BUILT WITH AN APRON TO ALLOW FOR TURNING TRAFFIC, BUT SHOULD NOT BE BUILT OVER EXISTING PAVEMENT EXCEPT FOR A SLIGHT OVERLAP.
- AREAS TO BE STABILIZED ARE TO BE PROPERLY GRADED AND COMPACTED PRIOR TO LAYING DOWN GEOTEXTILE AND STONE.
- CONSTRUCTION ROADS, PARKING AREAS, LOADING/UNLOADING ZONES, STORAGE AREAS, AND STAGING AREAS ARE TO BE STABILIZED.
- CONSTRUCTION ROADS ARE TO BE BUILT TO CONFORM TO SITE GRADES, BUT SHOULD NOT HAVE SIDE SLOPES OR ROAD GRADES THAT ARE EXCESSIVELY STEEP.

MAINTENANCE REQUIREMENTS

- REGULAR INSPECTIONS ARE TO BE MADE OF ALL STABILIZED AREAS, ESPECIALLY AFTER STORM EVENTS.
- STONES ARE TO BE REAPPLIED PERIODICALLY AND WHEN REPAIR IS NECESSARY.
- SEDIMENT TRACKED ONTO PAVED ROADS IS TO BE REMOVED DAILY BY SHOVELING OR SWEEPING. SEDIMENT IS NOT TO BE WASHED DOWN STORM SEWER DRAINAGE.
- STORM SEWER INLET PROTECTION IS TO BE IN PLACE, INSPECTED, AND CLEANED IF NECESSARY.
- OTHER ASSOCIATED SEDIMENT CONTROL MEASURES ARE TO BE INSPECTED TO ENSURE GOOD WORKING CONDITION.

Figure VT-2 Vehicle Tracking Application Examples

City of Colorado Springs Stormwater Quality

Shallow Slope

On shallow slopes, strips of netting may be applied across the slope.

Steep Slope

On steep slopes, apply strips of netting parallel to the direction of flow and anchor securely.

Ditch

In ditches, apply netting parallel to the direction of flow. Use check slots every 15 feet. Do not join strips in the center of the ditch.

Figure ECB-1 Erosion Control Blanket Application Examples

City of Colorado Springs Storm Water Quality

Inlet Protection (IP) SC-6

GENERAL INLET PROTECTION INSTALLATION NOTES

- SEE PLAN VIEW FOR LOCATION OF INLET PROTECTION. TYPE OF INLET PROTECTION (IP-1, IP-2, IP-3, IP-4, IP-5, IP-6)
- INLET PROTECTION SHALL BE INSTALLED PROMPTLY AFTER INLET CONSTRUCTION OR PAVING IS COMPLETE (TYPICALLY WITHIN 48 HOURS), IF A RAINFALL/RUNOFF EVENT IS FORECAST, INSTALL INLET PROTECTION PRIOR TO ONSET OF EVENT.
- MANY JURISDICTIONS HAVE BMP DETAILS THAT VARY FROM UDFCD STANDARD DETAILS. CONSULT WITH LOCAL JURISDICTIONS AS TO WHICH DETAIL SHOULD BE USED WHEN DIFFERENCES ARE NOTED.

INLET PROTECTION MAINTENANCE NOTES

- INSPECT BMPs EACH WORKDAY, AND MAINTAIN THEM IN EFFECTIVE OPERATING CONDITION. MAINTENANCE OF BMPs SHOULD BE PROACTIVE, NOT REACTIVE. INSPECT BMPs AS SOON AS POSSIBLE (AND ALWAYS WITHIN 24 HOURS) FOLLOWING A STORM THAT CAUSES SURFACE EROSION, AND PERFORM NECESSARY MAINTENANCE.
- FREQUENT OBSERVATIONS AND MAINTENANCE ARE NECESSARY TO MAINTAIN BMPs IN EFFECTIVE OPERATING CONDITION. INSPECTIONS AND CORRECTIVE MEASURES SHOULD BE DOCUMENTED THOROUGHLY.
- WHERE BMPs HAVE FAILED, REPAIR OR REPLACEMENT SHOULD BE INITIATED UPON DISCOVERY OF THE FAILURE.
- SEDIMENT ACCUMULATED UPSTREAM OF INLET PROTECTION SHALL BE REMOVED AS NECESSARY TO MAINTAIN BMP EFFECTIVENESS, TYPICALLY WHEN STORAGE VOLUME REACHES 50% OF CAPACITY, A DEPTH OF 6" WHEN SILT FENCE IS USED, OR $\frac{1}{2}$ OF THE HEIGHT FOR STRAW BALES.
- INLET PROTECTION IS TO REMAIN IN PLACE UNTIL THE UPSTREAM DISTURBED AREA IS PERMANENTLY STABILIZED, UNLESS THE LOCAL JURISDICTION APPROVES EARLIER REMOVAL OF INLET PROTECTION IN STREETS.
- WHEN INLET PROTECTION AT AREA INLETS IS REMOVED, THE DISTURBED AREA SHALL BE COVERED WITH TOP SOIL, SEEDED AND MULCHED, OR OTHERWISE STABILIZED IN A MANNER APPROVED BY THE LOCAL JURISDICTION.

(DETAILS ADAPTED FROM TOWN OF PARKER, COLORADO AND CITY OF AURORA, COLORADO, NOT AVAILABLE IN AUTOCAD)

NOTE: MANY JURISDICTIONS HAVE BMP DETAILS THAT VARY FROM UDFCD STANDARD DETAILS. CONSULT WITH LOCAL JURISDICTIONS AS TO WHICH DETAIL SHOULD BE USED WHEN DIFFERENCES ARE NOTED.

NOTE: THE DETAILS INCLUDED WITH THIS FACT SHEET SHOW COMMONLY USED, CONVENTIONAL METHODS OF INLET PROTECTION IN THE DENVER METROPOLITAN AREA. THERE ARE MANY PROPRIETARY INLET PROTECTION METHODS ON THE MARKET. UDFCD neither endorses nor discourages use of PROPRIETARY INLET PROTECTION. HOWEVER, IN THE EVENT PROPRIETARY METHODS ARE USED, THE APPROPRIATE DETAIL FROM THE MANUFACTURER MUST BE INCLUDED IN THE SWMP AND THE BMP MUST BE INSTALLED AND MAINTAINED AS SHOWN IN THE MANUFACTURER'S DETAILS.

NOTE: SOME MUNICIPALITIES DISCOURAGE OR PROHIBIT THE USE OF STRAW BALES FOR INLET PROTECTION. CHECK WITH LOCAL JURISDICTION TO DETERMINE IF STRAW BALE INLET PROTECTION IS ACCEPTABLE.

August 2013 Urban Drainage and Flood Control District Urban Storm Drainage Criteria Manual Volume 3 IP-8

Straw Bale Barrier (SBB) SC-3

STRAW BALE INSTALLATION NOTES

- SEE PLAN VIEW FOR LOCATION(S) OF STRAW BALES.
- STRAW BALES SHALL CONSIST OF CERTIFIED WEEED FREE STRAW OR HAY. LOCAL JURISDICTIONS MAY REQUIRE PROOF THAT BALES ARE WEEED FREE.
- STRAW BALES SHALL CONSIST OF APPROXIMATELY 5 CUBIC FEET OF STRAW OR HAY AND WEIGH NOT LESS THAN 35 POUNDS.
- WHEN STRAW BALES ARE USED IN SERIES AS A BARRIER, THE END OF EACH BALE SHALL BE TIGHTLY ADJUTING ONE ANOTHER.
- STRAW BALE DIMENSIONS SHALL BE APPROXIMATELY 36"x18"x18".
- A UNIFORM ANCHOR TRENCH SHALL BE EXCAVATED TO A DEPTH OF 4". STRAW BALES SHALL BE PLACED SO THAT BINDING THING IS ENCOMPASSING THE VERTICAL SIDES OF THE BALES. ALL EXCAVATED SOIL SHALL BE PLACED ON THE UPPEL SIDE OF THE STRAW BALES AND COMPACTED.
- TWO (2) WOODEN STAKES SHALL BE USED TO HOLD EACH BALE IN PLACE. WOODEN STAKES SHALL BE 2"x2"x24". WOODEN STAKES SHALL BE DRIVEN 6" INTO THE GROUND.

STRAW BALE MAINTENANCE NOTES

- INSPECT BMPs EACH WORKDAY, AND MAINTAIN THEM IN EFFECTIVE OPERATING CONDITION. MAINTENANCE OF BMPs SHOULD BE PROACTIVE, NOT REACTIVE. INSPECT BMPs AS SOON AS POSSIBLE (AND ALWAYS WITHIN 24 HOURS) FOLLOWING A STORM THAT CAUSES SURFACE EROSION, AND PERFORM NECESSARY MAINTENANCE.
- FREQUENT OBSERVATIONS AND MAINTENANCE ARE NECESSARY TO MAINTAIN BMPs IN EFFECTIVE OPERATING CONDITION. INSPECTIONS AND CORRECTIVE MEASURES SHOULD BE DOCUMENTED THOROUGHLY.
- WHERE BMPs HAVE FAILED, REPAIR OR REPLACEMENT SHOULD BE INITIATED UPON DISCOVERY OF THE FAILURE.
- STRAW BALES SHALL BE REPLACED IF THEY BECOME HEAVILY SOILED, ROTTEN, OR DAMAGED BEYOND REPAIR.
- SEDIMENT ACCUMULATED UPSTREAM OF STRAW BALE BARRIER SHALL BE REMOVED AS NECESSARY TO MAINTAIN FUNCTIONALITY OF THE BMP. TYPICALLY WHEN DEPTH OF ACCUMULATED SEDIMENTS IS APPROXIMATELY $\frac{1}{2}$ OF THE HEIGHT OF THE STRAW BALE BARRIER.
- STRAW BALES ARE TO REMAIN IN PLACE UNTIL THE UPSTREAM DISTURBED AREA IS STABILIZED AND APPROVED BY THE LOCAL JURISDICTION.
- WHEN STRAW BALES ARE REMOVED, ALL DISTURBED AREAS SHALL BE COVERED WITH TOPSOIL, SEEDED AND MULCHED OR OTHERWISE STABILIZED AS APPROVED BY LOCAL JURISDICTION.

(DETAILS ADAPTED FROM TOWN OF PARKER, COLORADO, NOT AVAILABLE IN AUTOCAD)

NOTE: MANY JURISDICTIONS HAVE BMP DETAILS THAT VARY FROM UDFCD STANDARD DETAILS. CONSULT WITH LOCAL JURISDICTIONS AS TO WHICH DETAIL SHOULD BE USED WHEN DIFFERENCES ARE NOTED.

November 2010 Urban Drainage and Flood Control District Urban Storm Drainage Criteria Manual Volume 3 SBB-3

Table 14-12. Recommended Seed Mix for all other Soils in Upland Areas

Common Name (Variety)	Scientific Name	Growth Season	Growth Form	Seeds/Lb	Lbs PLS/Acre Drilled	Lbs PLS/Acre Broadcast or Hydroseeded
Sheep fescue	<i>Festuca ovina</i>	Cool	Bunch	680,000	0.6	1.2
Canby bluegrass	<i>Poa canbyi</i>	Cool	Bunch	926,000	0.5	1.0
Thickspike wheatgrass (Cyntra)	<i>Elymus lanceolatus</i>	Cool	Bunch	154,000	5.7	11.4
Western wheatgrass (Arriba)	<i>Pascopyrum smithii</i>	Cool	Sod	110,000	7.9	15.8
Blue grama (Hachita)	<i>Chondrus gracile</i>	Warm	Sod	825,000	1.1	2.2
Switchgrass (Pathfinder)	<i>Panicum virgatum</i>	Warm	Sod/Brush	389,000	1.0	2.0
Side-oats grama (Butte)	<i>Boutelou curtipendula</i>	Warm	Sod	191,000	2.0	4.0
Annual rye	<i>Lolium multiflorum</i>	Cool	Cover crop	227,000	10.0	20.0
				TOTAL	28.8	57.6
Wildflowers						
Blanket flower	<i>Fallardia aristata</i>	---	---	132,000	0.25	0.50
Prairie coneflower	<i>Ratibida columnaris</i>	---	---	1,230,000	0.20	0.40
Purple prairie clover	<i>Petalostemon purpurea</i>	---	---	210,000	0.20	0.40
Gayfeather	<i>Liatris punctata</i>	---	---	138,000	0.06	0.12
Flax	<i>Linum lewisii</i>	---	---	293,000	0.20	0.40
Penstemon	<i>Penstemon strictus</i>	---	---	592,000	0.20	0.40
Yarrow	<i>Achillea millefolium</i>	---	---	2,770,000	0.03	0.06
				TOTAL	1.14	2.28

The seed mixes in Tables 14-9 through 14-12 include recommended wildflowers that can be sown at the same time or after the grass seed mix. Table 14-13 includes a general wildflower seed mix that can be used in sunny locations. This mix includes more drought tolerant, native perennials and can also be sown at the same time as a grass seed mix, or after. When more wildflowers are desired, the mix in Table 14-13 is recommended instead of the species shown in Tables 14-9 through 14-12. Wildflowers are only included for visual quality as directed by the City of Colorado Springs Landscape Code and Policy Manual. Wildflowers are not intended for erosion control.

14-24 City of Colorado Springs Drainage Criteria Manual, Volume 1 May 2014

Anchor Slot: Bury the up-channel end of the net in a 6" deep trench. Tamp the soil firmly. Staple at 12' intervals across the net.

Overlap: Overlap edges of the strips at least 4". Staple every 3 feet down the center of the strip.

Joining Strips: Insert the new roll of net in a trench, as with the Anchor Slot. Overlap the up-channel end of the previous roll 18" and turn the end under 6". Staple the end of the previous roll just below the anchor slot and at the end at 12' intervals.

Check Slots: On erodible soils or steep slopes, check slots should be made every 15 feet. Insert a fold of the net into a 6" trench and tamp firmly. Staple at 12' intervals across the net. Lay the net smoothly on the surface of the soil - do not stretch the net, and do not allow wrinkles.

Anchoring Ends At Structures: Place the end of the net in a 6" slot on the up-channel side of the structure. Fill the trench and tamp firmly. Roll the net up the channel. Place staples at 12' intervals along the anchor end of the net.

Figure ECB-2 Erosion Control Blanket Installation Requirements

City of Colorado Springs Storm Water Quality

AS-BUILT
11-30-2023

48 HOURS BEFORE YOU DIG, CALL UTILITY LOCATORS
811
UTILITY NOTIFICATION CENTER OF COLORADO
IT'S THE LAW

THE LOCATIONS OF EXISTING UNDERGROUND UTILITIES ARE SHOWN IN AN APPROXIMATE WAY ONLY. THE CONTRACTOR SHALL DETERMINE THE EXACT LOCATION OF ALL EXISTING UTILITIES BEFORE COMMENCING WORK. THE CONTRACTOR SHALL BE FULLY RESPONSIBLE FOR ANY AND ALL DAMAGES WHICH MIGHT BE CAUSED BY HIS FAILURE TO EXACTLY LOCATE AND PRESERVE ANY AND ALL UNDERGROUND UTILITIES.

NO.	REVISION	DATE

REVIEW:

PREPARED UNDER MY DIRECT SUPERVISION FOR AND ON BEHALF OF CLASSIC CONSULTING ENGINEERS AND SURVEYORS, LLC

MARC A. WHORTON, COLORADO REGISTERED PROFESSIONAL ENGINEER #37155

3/23/2022



RETREAT AT TIMBERIDGE FILING NO. 2
CONSTRUCTION PLANS
GRADING & EROSION CONTROL PLAN
EROSION CONTROL DETAILS

DESIGNED BY MAW SCALE DATE 02-25-21
DRAWN BY MAW (H) 1"= N/A SHEET 24B OF 24
CHECKED BY (V) 1"= N/A JOB NO. 1185.20