



**Santiago Tijerina**  
Utility Construction Planner  
Fountain  
Colorado Gas

Black Hills Energy  
7060 Alegre St.  
Fountain, Co  
80817

Please add "PCD File  
No. CDR-21-017"

September 3, 2021

Re: Mayberry Communities 6" Steel Main Extension

Dear Mr. Howser

Black Hills Energy has an upcoming 6-inch steel natural gas main extension project to service the new development known as Mayberry Communities. The proposed natural gas extension is necessary to accommodate the projected growth for the area. The proposed 6-inch steel natural gas pipeline extension will parallel Hwy 94 starting at the intersection of Hwy 94 and Enoch Road (T-14S R- 63W S- 14) and will end approximately 6 miles east just past the intersection of Hwy 94 and Antelope Drive (T- 14S R- 63W S- 14). Black Hills Energy plans to install the 32,000-foot pipeline in a 20-foot Black Hills Energy dedicated easement with an additional 20-foot temporary work easement. The project will include two bores, one at the intersection of Enoch Road and the second at S. Peyton Hwy. Included with this letter is a map of the 6-inch steel natural gas main extension which includes the plan view and typical trench and bore profiles. Please let me know if you need additional information or have any questions.

Sincerely,

Santiago Tijerina  
Black Hills Energy  
Utility Construction Planner  
Colorado Gas  
Santiago.Tijerina@blackhillscorp.com  
Office (719)393-6655  
Cell (719)243-8329

Please provide a statement confirming the proposed activity will not adversely impact adjacent properties or existing drainage patterns.

For your information:

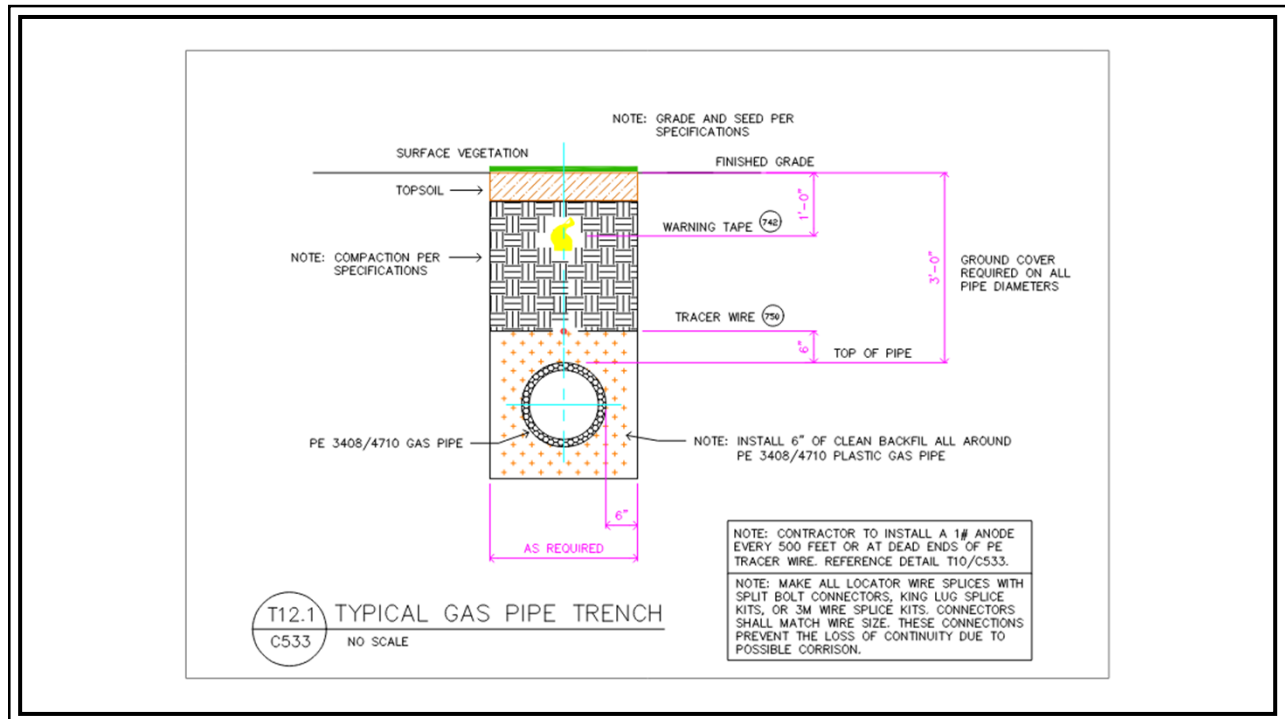
- Please contact CDOT for project requirements including but not limited to encroachment permit and Traffic Control requirements given the proximity of State Highway 94 to the project.
- A Work-in-Right of Way permit will be required from El Paso County Department of Public Works for all work within El Paso County right of way.



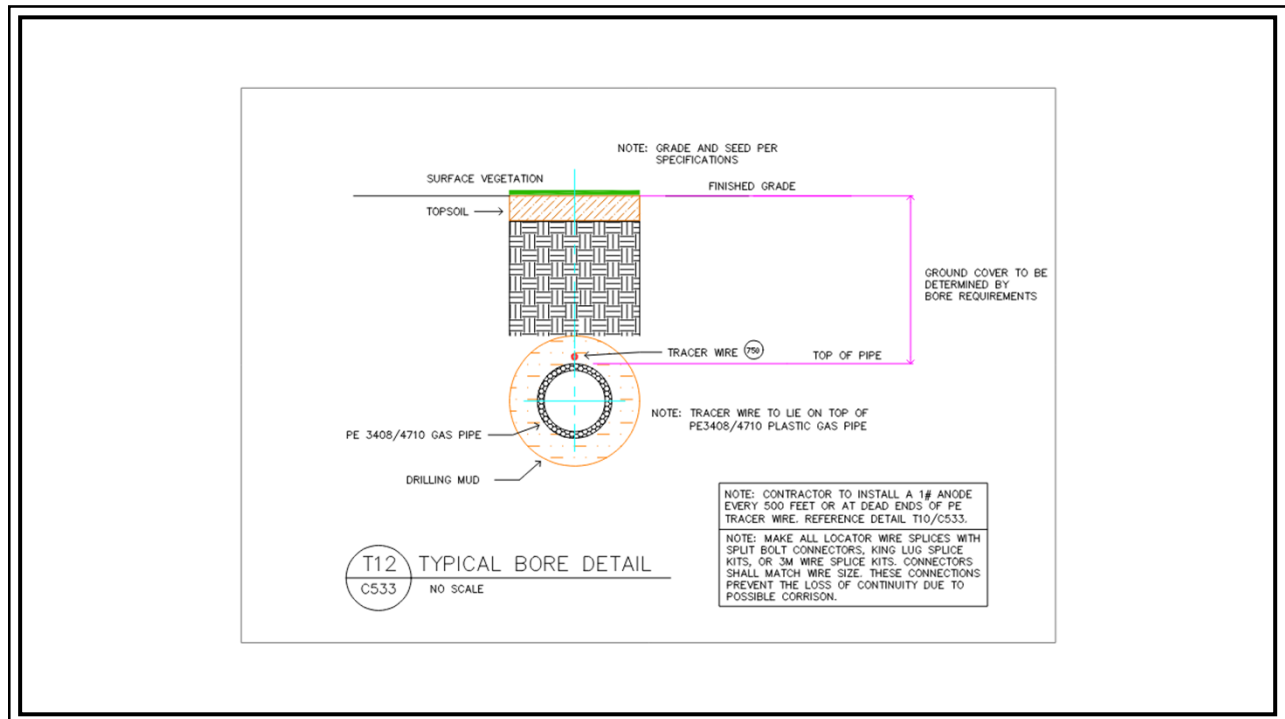
### Mayberry 6" Natural Gas Extension

- Open Trench —
- Bore —

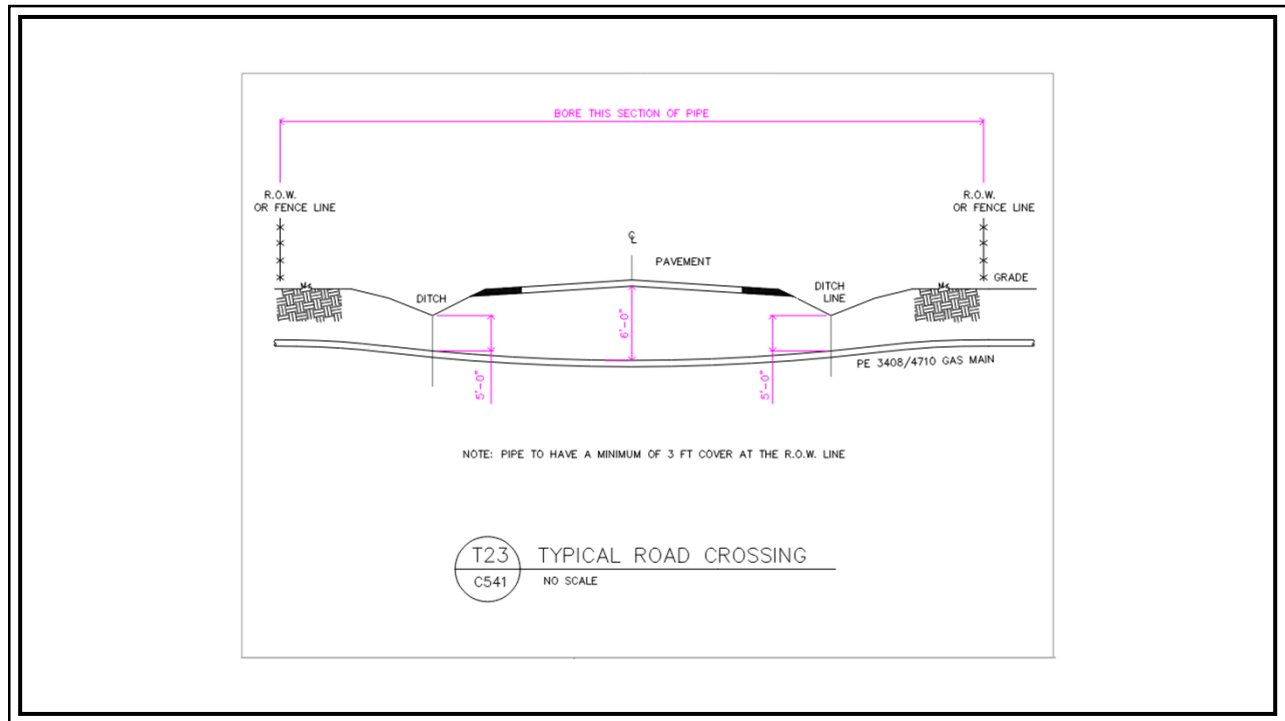




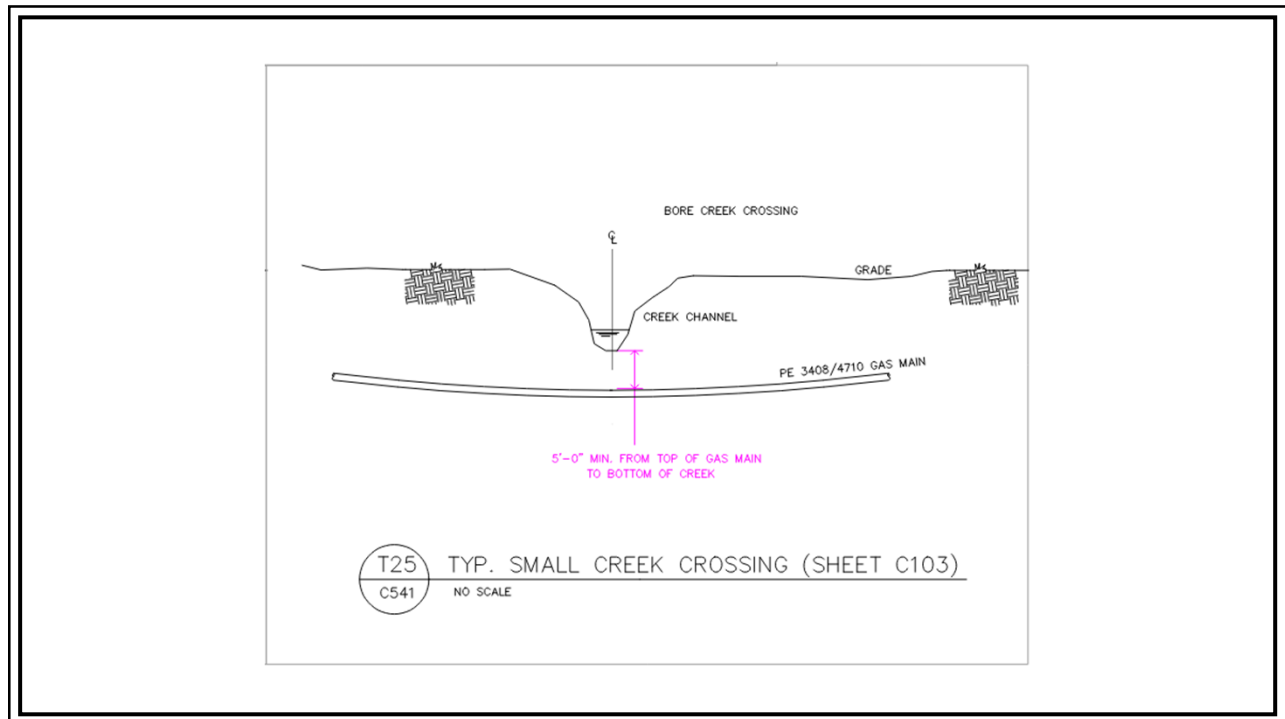
1



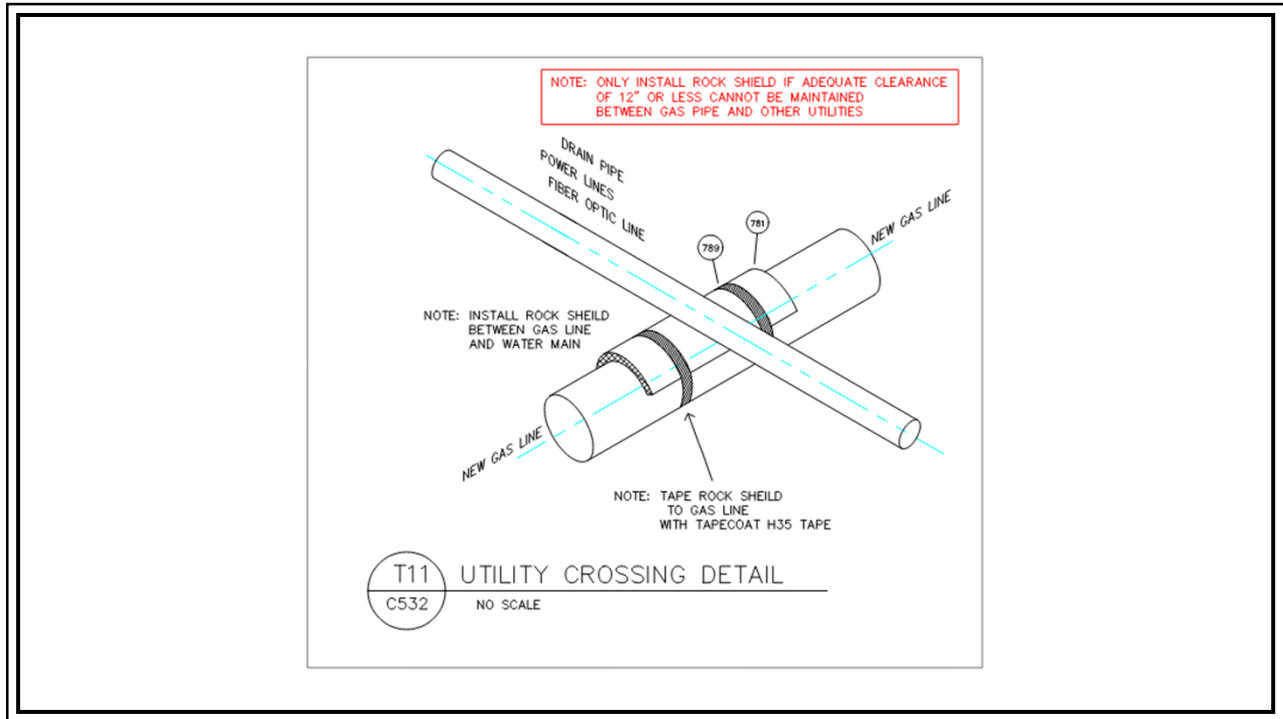
2



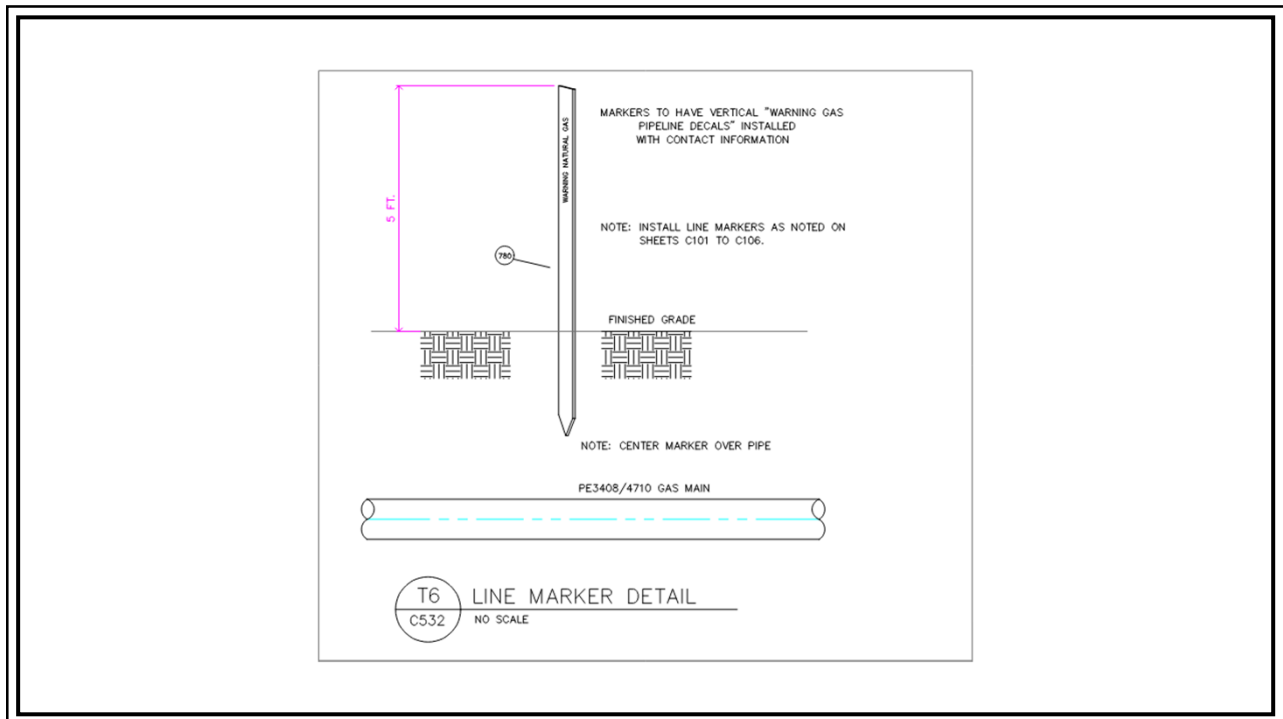
3



4



5



6