

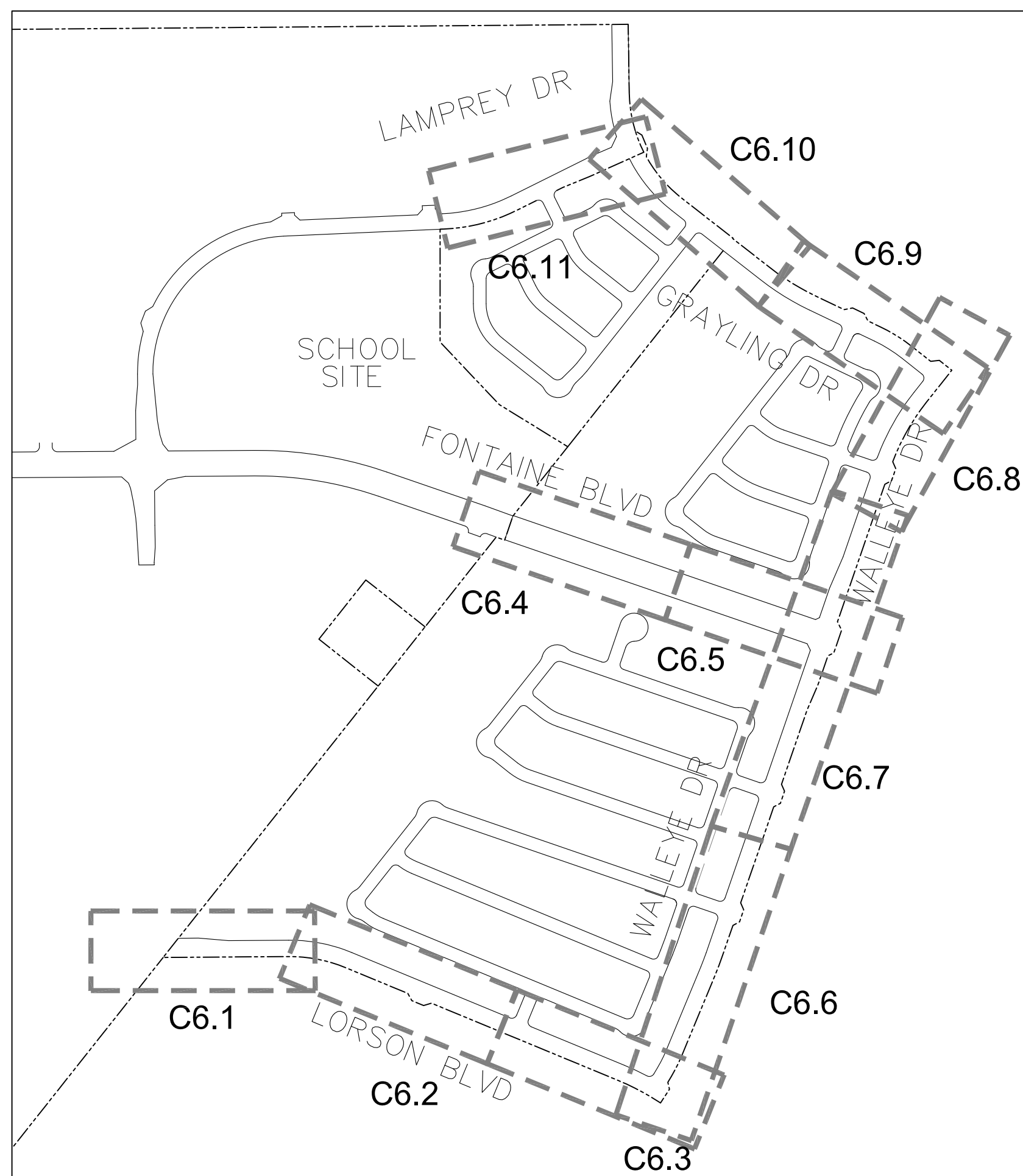
CONSTRUCTION PLANS
FOR

THE HILLS AT LORSON RANCH COLLECTOR STREETS STREET, STORM SEWER, WATERMAIN, SANITARY SEWER CONSTRUCTION PLANS

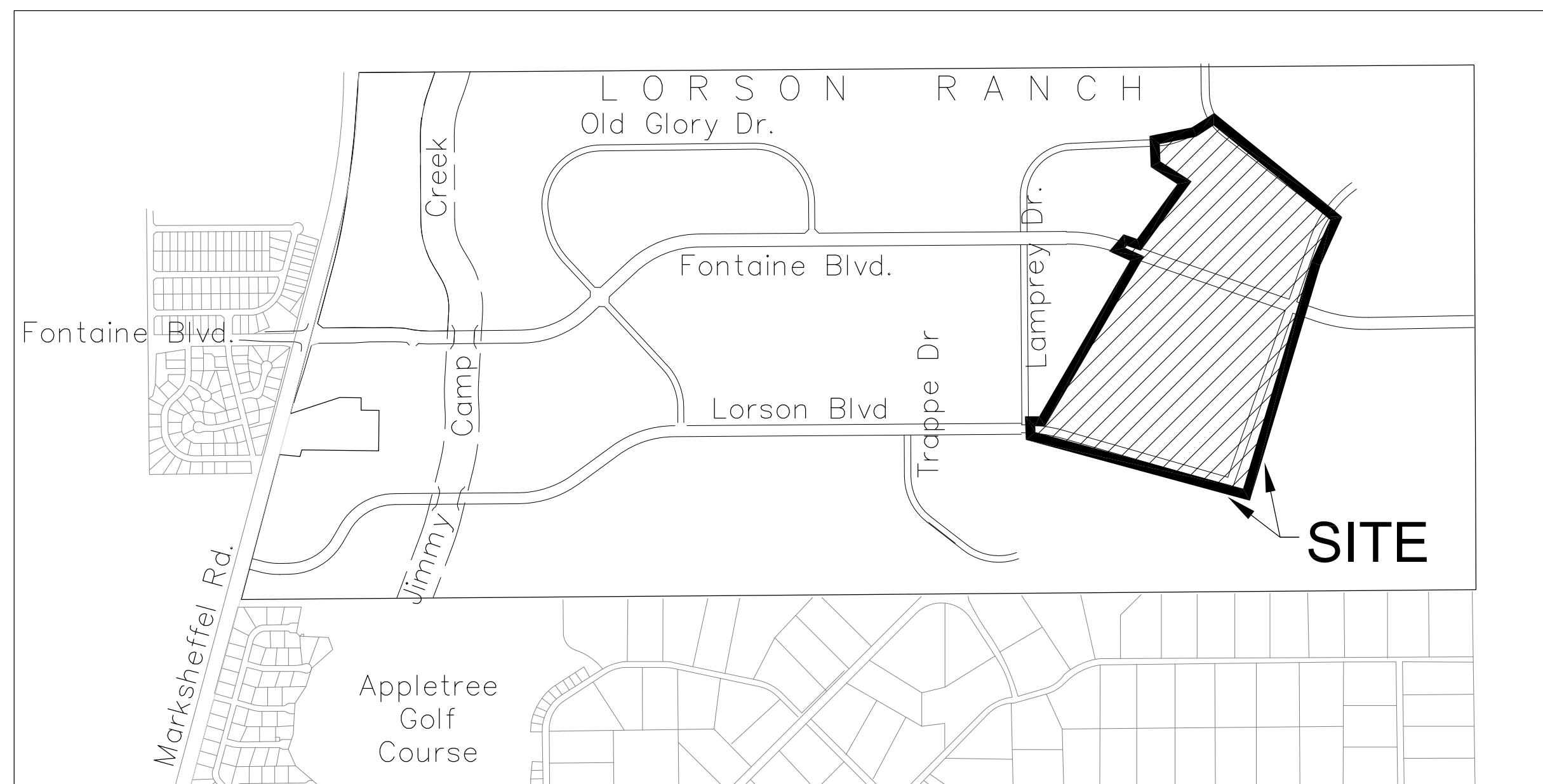


Know what's below.
Call before you dig.

CALL 2-BUSINESS DAYS IN ADVANCE
BEFORE YOU DIG, GRADE OR
EXCAVATE FOR THE MARKING OF
UNDERGROUND MEMBER UTILITIES



KEY MAP
NO SCALE



VICINITY MAP
NO SCALE

SHEET INDEX	
SHEET NO.	SHEET DESCRIPTION
C1.1	COVER SHEET
C1.2a	NOTES - STREET AND STORM
C1.2b	NOTES - WATERMAIN AND SANITARY SEWER
C1.3	TYPICAL SECTIONS
C2.1-C2.2	STREET HORIZONTAL CONTROL
C5.1-C5.5	SIGNING/STRIPING PLANS
C6.1-C6.11	STREET/STORM PLAN AND PROFILES
C7.1-C7.4	PLAN AND PROFILE - STORM LATERALS
C8.1-C8.12	WATERMAIN AND SANITARY PLAN AND PROFILES
C9.1-C9.11	DETENTION POND LOW FLOW AND OUTLET DETAILS
C9.12-C9.15	DETENTION POND OUTLET STRUCTURE DETAILS
C10.1-C10.3	DETAILS - STREET AND STORM
C12.1-C12.2	DETAILS - WATERMAIN AND SANITARY

DEVELOPER'S STATEMENT

THE UNDERSIGNED OWNER/DEVELOPER HAS READ AND WILL COMPLY WITH ALL THE REQUIREMENTS SPECIFIED IN THESE CONSTRUCTION PLANS AND THE ACCOMPANYING DRAINAGE REPORT.

BUSINESS NAME LORSON, LLC

BY _____ DATE _____

TITLE _____

ADDRESS 212 N. WAHSATCH AVE. SUITE 301
COLORADO SPRINGS, CO 80903

PREPARED FOR:
LORSON, LLC
N. WAHSATCH AVE., SUITE 301
COLORADO SPRINGS, CO 80903
719-635-3200
CONTACT: JEFF MARK

PREPARED BY:
CORE ENGINEERING GROUP
15004 1ST AVENUE S.
BURNSVILLE, MN 55306
719-570-1100
CONTACT: RICHARD L. SCHINDLER P.E.

WATER / SANITARY
WIDEFIELD WATER AND SANITATION DISTRICT
8495 FONTAINE BLVD.
COLORADO SPRINGS, CO 80925
719-390-7111

CABLE
COMCAST
P.O. BOX 173838
DENVER, CO 80217
970-641-4774

ELECTRIC
MOUNTAIN VIEW ELECTRIC
11140 E. WOODMEN RD.
COLORADO SPRINGS, CO 80831
719-495-2283

TELEPHONE
CENTURYLINK
7925 INDUSTRY ROAD
COLORADO SPRINGS, CO 80939
719-278-4651

GAS
BLACK HILLS ENERGY
7060 ALLEGRE ST.
FOUNTAIN, CO 80817
719-393-6639

EL PASO COUNTY
PLANNING AND COMMUNITY DEVELOPMENT
2880 INTERNATIONAL CIRCLE
COLORADO SPRINGS, CO 80910
719-520-6300

SECURITY FIRE PROTECTION DISTRICT
400 SECURITY BOULEVARD
SECURITY, CO 80911
719-392-7121

BASIS OF BEARING
BEARINGS ARE BASED ON THE SOUTH LINE OF THE NORTH HALF OF SECTION 23, TOWNSHIP 15 SOUTH, RANGE 65 WEST OF THE 6TH PRINCIPAL MERIDIAN AS BEING SOUTH 89°41'52" WEST; THE EAST QUARTER CORNER OF SAID SECTION 23 IS A FOUND 3-1/2" ALUMINUM CAP MONUMENT AND THE WEST QUARTER CORNER OF SAID SECTION 23 IS A FOUND 2-1/2" ALUMINUM CAP MONUMENT

BENCHMARK
FIMS MONUMENT F204 LOCATED AT THE NORTHWEST CORNER OF FONTAINE BLVD AND COTTONWOOD GROVE DR.
ELEVATION 5724.072 (N.G.V.D. 29)

TRAFFIC CONTROL NOTE
THE CONTRACTOR SHALL PROVIDE ALL TRAFFIC CONTROL DEVICES AND MONITORING NECESSARY TO SAFELY COMPLETE THE WORK SHOWN IN THESE CONSTRUCTION DOCUMENTS IN CONFORMANCE WITH M.U.T.C.D. GUIDELINES. THE CONTRACTOR SHALL COMPLETE ALL NECESSARY WORK FOR PLAN REVIEW, PERMITS AND PROCESSING. TRAFFIC CONTROL WILL NOT BE PAID SEPARATELY BUT IS INCLUDED IN THE COST OF THE PROJECT.

LEGEND

- SUBDIVISION BOUNDARY
- EXISTING AND PROPOSED RIGHT OF WAY
- EXISTING AND PROPOSED LOT LINES
- EXISTING AND PROPOSED EASEMENTS
- STREET CENTERLINE
- PROPOSED CURB AND GUTTER
- EX-W --- EXISTING WATERMAIN
- W-8 --- PROPOSED WATERMAIN
- SS-8 --- EXISTING SANITARY SEWER
- SS-8 --- PROPOSED SANITARY SEWER
- SS-24 --- EXISTING 24" SANITARY SEWER
- G --- EXISTING GASMAIN
- E --- EXISTING UNDERGROUND ELECTRIC
- OHE --- EXISTING OVERHEAD ELECTRIC
- TV --- EXISTING CABLE TV
- T --- EXISTING PHONE OR FIBER OPTIC
- EXISTING STORM DRAIN
- PROPOSED STORM SEWER
- ⊙ --- EXISTING MANHOLES
- ⊠ --- PROPOSED SANITARY AND STORM MANHOLES
- ⊙ --- EXISTING AND PROPOSED WATERMAIN VALVES
- ⊙ --- EXISTING AND PROPOSED FIRE HYDRANT
- EXISTING UTILITY POLE
- PROPOSED STORM SEWER INLET

DISTRICT APPROVAL (WATER)

THE WIDEFIELD WATER AND SANITATION DISTRICT RECOGNIZES THE DESIGN ENGINEER AS HAVING RESPONSIBILITY FOR THE DESIGN. THE WIDEFIELD WATER AND SANITATION DISTRICT HAS LIMITED ITS SCOPE OF REVIEW ACCORDINGLY.

WIDEFIELD WATER AND SANITATION DISTRICT
WATER DESIGN APPROVAL

DATE _____ BY _____

PROJECT NO. _____

IN CASE OF ERRORS OR OMISSIONS WITH THE WATER DESIGN AS SHOWN ON THIS DOCUMENT THE STANDARDS AS DEFINED IN THE "RULES AND REGULATIONS FOR INSTALLATION OF WATER MAINS AND SERVICES" SHALL RULE.

APPROVAL EXPIRES 180 DAYS FROM DESIGN APPROVAL

DISTRICT APPROVAL (WASTEWATER)

THE WIDEFIELD WATER AND SANITATION DISTRICT RECOGNIZES THE DESIGN ENGINEER AS HAVING RESPONSIBILITY FOR THE DESIGN. THE WIDEFIELD WATER AND SANITATION DISTRICT HAS LIMITED ITS SCOPE OF REVIEW ACCORDINGLY.

WIDEFIELD WATER AND SANITATION DISTRICT
WATER DESIGN APPROVAL

DATE _____ BY _____

PROJECT NO. _____

IN CASE OF ERRORS OR OMISSIONS WITH THE WATER DESIGN AS SHOWN ON THIS DOCUMENT THE STANDARDS AS DEFINED IN THE "RULES AND REGULATIONS FOR INSTALLATION OF WATER MAINS AND SERVICES" SHALL RULE.

APPROVAL EXPIRES 180 DAYS FROM DESIGN APPROVAL

CONSTRUCTION APPROVAL

COUNTY PLAN REVIEW IS PROVIDED ONLY FOR GENERAL CONFORMANCE WITH COUNTY DESIGN CRITERIA. THE COUNTY IS NOT RESPONSIBLE FOR THE ACCURACY AND ADEQUACY OF THE DESIGN, DIMENSIONS, AND/OR ELEVATIONS WHICH SHALL BE CONFIRMED AT THE JOB SITE. THE COUNTY THROUGH THE APPROVAL OF THIS DOCUMENT ASSUMES NO RESPONSIBILITY FOR COMPLETENESS AND/OR ACCURACY OF THIS DOCUMENT.

FILED IN ACCORDANCE WITH THE REQUIREMENTS OF THE EL PASO COUNTY LAND DEVELOPMENT CODE, DRAINAGE CRITERIA MANUALS VOLUME 1 AND 2, AND ENGINEERING CRITERIA MANUAL AS AMENDED. IN ACCORDANCE WITH ECM SECTION 1.12, THESE CONSTRUCTION DOCUMENTS WILL BE VALID FOR CONSTRUCTION FOR A PERIOD OF 2 YEARS FROM THE DATE SIGNED BY THE EL PASO COUNTY ENGINEER. IF CONSTRUCTION HAS NOT STARTED WITHIN THOSE TWO YEARS THE PLANS WILL NEED TO BE RESUBMITTED FOR APPROVAL, INCLUDING PAYMENT OF REVIEW FEES AT THE PLANNING AND COMMUNITY DEVELOPMENT DIRECTOR'S DISCRETION

JENNIFER IRVINE, COUNTY ENGINEER/ECM ADMINISTRATOR DATE _____
CONDITIONS:

ENGINEER'S APPROVAL

THESE DETAILED PLANS AND SPECIFICATIONS WERE PREPARED UNDER MY DIRECTION AND SUPERVISION. SAID PLANS AND SPECIFICATIONS HAVE BEEN PREPARED ACCORDING TO THE CRITERIA ESTABLISHED BY THE COUNTY FOR DETAILED ROADWAY, DRAINAGE, GRADING AND EROSION CONTROL PLANS AND SPECIFICATIONS, AND SAID PLANS AND SPECIFICATIONS ARE IN CONFORMANCE WITH APPLICABLE MASTER DRAINAGE PLANS AND MASTER TRANSPORTATION PLANS. SAID PLANS AND SPECIFICATIONS MEET THE PURPOSES FOR WHICH THE PARTICULAR ROADWAY AND DRAINAGE FACILITIES ARE DESIGNED AND ARE CORRECT TO THE BEST OF MY KNOWLEDGE AND BELIEF. I ACCEPT RESPONSIBILITY FOR ANY LIABILITY CAUSED BY ANY NEGLIGENT ACTS, ERRORS OR OMISSIONS ON MY PART IN PREPARATION OF THESE DETAILED PLANS AND SPECIFICATIONS.

RICHARD L. SCHINDLER, P.E. # 33997
FOR AND ON BEHALF OF CORE ENGINEERING GROUP

CORE ENGINEERING GROUP
15004 1ST AVENUE S.
BURNSVILLE, MN 55306
PH: 719-570-1100
CONTACT: RICHARD L. SCHINDLER, P.E.
EMAIL: Rich@ceg1.com

DATE: _____
DESCRIPTION: _____
NO: _____
PREPARED FOR: **LORSON, LLC**
212 N. WAHSATCH AVE. SUITE 301
COLORADO SPRINGS, COLORADO 80903
PROJECT: **THE HILLS COLLECTOR STREET CONSTRUCTION**
FONTAINE BLVD - GRAYLING DR
LORSON BLVD - WALLEYE DR - LAMPREY DR
COLORADO SPRINGS, COLORADO
CONTACT: JEFF MARK

DRAWN: RLS
DESIGNED: RLS
CHECKED: RLS

THE HILLS AT LORSON RANCH
COLLECTOR STREET
CONSTRUCTION PLANS

DATE:
AUGUST 2, 2020

PROJECT NO.
100.061

SHEET NUMBER
C0.1

TOTAL SHEETS: 58

PUDSP-20-003
CDR 20-007

CONSTRUCTION NOTES

- ALL WORK SHALL COMPLY WITH THE CODES AND POLICIES FOR EL PASO COUNTY.
- EXISTING TOPOGRAPHIC INFORMATION SHOWN ON THIS GRADING PLAN WAS OBTAINED FROM DREXEL, BARRELL & CO., JULY, 2005. SUPPLEMENTAL SURVEY DATA WAS OBTAINED FOR MARKSHEFFEL ROAD FROM M&S CIVIL GROUP IN NOVEMBER, 2016. THE CONTRACTOR SHALL BE RESPONSIBLE TO EXAMINE THE SITE AND BE FAMILIAR WITH THE EXISTING CONDITIONS.
- DEPTH OF MOISTURE-DENSITY CONTROL FOR THIS PROJECT SHALL BE AS FOLLOWS:
BASE OF ALL CUTS AND FILLS - 12 INCHES,
FULL DEPTH OF ALL EMBANKMENTS
- THE CONTRACTOR IS RESPONSIBLE FOR THE RE-ESTABLISHMENT OF ALL SURVEY MONUMENTS DISTURBED WITHIN THE PROJECT LIMITS.
- THE CONTRACTOR SHALL PROTECT ALL WORK AREAS AND FACILITIES FROM FLOODING AT ALL TIMES. AREAS AND FACILITIES SUBJECTED TO FLOODING, REGARDLESS OF THE SOURCE OF WATER, SHALL BE PROMPTLY DEWATERED AND RESTORED.
- PRIOR TO PAVING OPERATIONS, THE ENTIRE SUBGRADE SHALL BE PROOF-ROLLED WITH A LOADED 988 FRONT-END LOADER OR SIMILAR HEAVY RUBBER Tired VEHICLE (GVW OF 50,000 POUNDS WITH 18 KIP PER AXLE AT TIRE PRESSURES OF 90 PSI) TO DETECT ANY SOFT OR LOOSE AREAS. IN AREAS WHERE SOFT OR LOOSE SOILS, PUMPING OR EXCESSIVE MOVEMENT IS OBSERVED, THE EXPOSED MATERIALS SHALL BE OVER-EXCAVATED TO A MINIMUM DEPTH OF TWO FEET BELOW PROPOSED FINAL GRADE OR TO A DEPTH AT WHICH SOILS ARE STABLE. AFTER THIS HAS BEEN COMPLETED, THE EXPOSED MATERIALS SHALL BE SCARIFIED TO A DEPTH OF 12 INCHES AND MOISTURE CONDITIONED. THE SUBGRADE SHALL THEN BE UNIFORMLY COMPACTED TO A MINIMUM OF 95% OF STANDARD PROCTOR DENSITY (ASTM D-698) AT 0 TO +4.0% OF OPTIMUM MOISTURE CONTENT FOR A-6 AND A-7-6 SOILS ENCOUNTERED. OTHER SUBGRADE TYPES SHALL BE UNIFORMLY COMPACTED TO A MINIMUM OF 95% OF MODIFIED PROCTOR DENSITY (ASTM D-1557) AT PLUS OR MINUS 2.0% OF OPTIMUM MOISTURE CONTENT. AREAS WHERE STABLE NATURAL SOILS ARE ENCOUNTERED AT PROPOSED SUBGRADE ELEVATION SHALL ALSO BE SCARIFIED (18 INCHES FOR A-7-6 SOILS BELOW FULL-DEPTH ASPHALT CONCRETE) AND COMPACTED AS OUTLINED ABOVE PRIOR TO PAVING OPERATIONS. SUBGRADE FILL SHALL BE PLACED IN SIX-INCH LIFTS AND UNIFORMLY COMPACTED, MEETING THE REQUIREMENTS AS PREVIOUSLY DESCRIBED.
- SUBGRADE MATERIALS DEEMED UNSUITABLE BY THE ENGINEER SHALL BE EXCAVATED, DISPOSED OF AND REPLACED WITH APPROVED MATERIALS.
- FILL SHALL BE PLACED IN 8-INCH MAXIMUM LOOSE LIFTS AND SHALL BE COMPACTED PRIOR TO SUCCESSIVE LIFTS.
- THE CONTRACTOR IS RESPONSIBLE FOR PREVENTING AND CONTROLLING EROSION DURING CONSTRUCTION ACTIVITIES AT ALL TIMES DURING GRADING AND CONSTRUCTION. THE CONTRACTOR SHALL PROVIDE THE FOLLOWING EROSION AND SEDIMENT CONTROL MEASURES:
 - HAY BALE BARRIERS WHERE NEEDED AND/OR AS DIRECTED BY THE ENGINEER.
 - SILT FENCE WHERE NEEDED AND/OR AS DIRECTED BY THE ENGINEER.
 - TEMPORARY SEDIMENTATION BASINS WHERE NEEDED AND/OR AS DIRECTED BY THE ENGINEER.
 - MULCHING AND SEEDING OF EXCESSIVE SLOPED AREAS AS NEEDED OR AS DIRECTED BY THE ENGINEER.
 - TEMPORARY VEHICLE TRACKING CONTROL AS NEEDED AND/OR DIRECTED BY THE ENGINEER.
 - CONCRETE WASH AREAS.
 - INLET PROTECTION.
 THESE AND ALL EROSION CONTROL BEST MANAGEMENT PRACTICES AS SHOWN IN THE GRADING AND EROSION CONTROL PLANS SHALL BE STRICTLY ADHERED TO.
- FINISHED CONTOURS/SPOT ELEVATIONS SHOWN HEREON REPRESENT FINISHED GRADES. ALL PAVEMENT SUBGRADES ARE BASED ON THE COMPOSITE ASPHALT PAVEMENT RECOMMENDATIONS MADE IN THE "GEOTECHNICAL STUDY" FOR LORSON RANCH.

EL PASO COUNTY STANDARD CONSTRUCTION NOTES:

- ALL DRAINAGE AND ROADWAY CONSTRUCTION SHALL MEET THE STANDARDS AND SPECIFICATIONS OF THE CITY OF COLORADO SPRINGS/EL PASO COUNTY DRAINAGE CRITERIA MANUAL, VOLUMES 1 AND 2, AND THE EL PASO COUNTY ENGINEERING CRITERIA MANUAL.
- CONTRACTOR SHALL BE RESPONSIBLE FOR THE NOTIFICATION AND FIELD NOTIFICATION OF ALL EXISTING UTILITIES, WHETHER SHOWN ON THE PLANS OR NOT, BEFORE BEGINNING CONSTRUCTION. LOCATION OF EXISTING UTILITIES SHALL BE VERIFIED BY THE CONTRACTOR PRIOR TO CONSTRUCTION. CALL 811 TO CONTACT THE UTILITY NOTIFICATION CENTER OF COLORADO (UNCC).
- CONTRACTOR SHALL KEEP A COPY OF THESE APPROVED PLANS, THE GRADING AND EROSION CONTROL PLAN, THE STORMWATER MANAGEMENT PLAN (SWMP), THE SOILS AND GEOTECHNICAL REPORT, AND THE APPROPRIATE DESIGN AND CONSTRUCTION STANDARDS AND SPECIFICATIONS AT THE JOB SITE AT ALL TIMES, INCLUDING THE FOLLOWING:
 - EL PASO COUNTY ENGINEERING CRITERIA MANUAL (ECM)
 - CITY OF COLORADO SPRINGS/EL PASO COUNTY DRAINAGE CRITERIA MANUAL, VOLUMES 1 AND 2
 - COLORADO DEPARTMENT OF TRANSPORTATION (CDOT) STANDARD SPECIFICATIONS FOR ROAD AND BRIDGE CONSTRUCTION
 - CDOT M & S STANDARDS
- NOTWITHSTANDING ANYTHING DEPICTED IN THESE PLANS IN WORDS OR GRAPHIC REPRESENTATION, ALL DESIGN AND CONSTRUCTION RELATED TO ROADS, STORM DRAINAGE AND EROSION CONTROL SHALL CONFORM TO THE STANDARDS AND REQUIREMENTS OF THE MOST RECENT VERSION OF THE RELEVANT ADOPTED EL PASO COUNTY STANDARDS, INCLUDING THE LAND DEVELOPMENT CODE, THE ENGINEERING CRITERIA MANUAL, THE DRAINAGE CRITERIA MANUAL, AND THE DRAINAGE CRITERIA MANUAL VOLUME 2. ANY DEVIATIONS FROM REGULATIONS AND STANDARDS MUST BE REQUESTED, AND APPROVED, IN WRITING. ANY MODIFICATIONS NECESSARY TO MEET CRITERIA AFTER-THE-FACT WILL BE ENTIRELY THE DEVELOPER'S RESPONSIBILITY TO RECTIFY.
- IT IS THE DESIGN ENGINEER'S RESPONSIBILITY TO ACCURATELY SHOW EXISTING CONDITIONS, BOTH ONSITE AND OFFSITE, ON THE CONSTRUCTION PLANS. ANY MODIFICATIONS NECESSARY DUE TO CONFLICTS, OMISSIONS, OR CHANGED CONDITIONS WILL BE ENTIRELY THE DEVELOPER'S RESPONSIBILITY TO RECTIFY.
- CONTRACTOR SHALL SCHEDULE A PRE-CONSTRUCTION MEETING WITH PLANNING AND COMMUNITY DEVELOPMENT (PCD) - INSPECTIONS, PRIOR TO STARTING CONSTRUCTION.
- IT IS THE CONTRACTOR'S RESPONSIBILITY TO UNDERSTAND THE REQUIREMENTS OF ALL JURISDICTIONAL AGENCIES AND TO OBTAIN ALL REQUIRED PERMITS, INCLUDING BUT NOT LIMITED TO EL PASO COUNTY EROSION AND STORMWATER QUALITY CONTROL PERMIT (ESQCP), REGIONAL BUILDING FLOODPLAIN DEVELOPMENT PERMIT, U.S. ARMY CORPS OF ENGINEERS-ISSUED 401 AND/OR 404 PERMITS, AND COUNTY AND STATE FUGITIVE DUST PERMITS.
- CONTRACTOR SHALL NOT DEVIATE FROM THE PLANS WITHOUT FIRST OBTAINING WRITTEN APPROVAL FROM THE DESIGN ENGINEER AND PCD. CONTRACTOR SHALL NOTIFY THE DESIGN ENGINEER IMMEDIATELY UPON DISCOVERY OF ANY ERRORS OR INCONSISTENCIES.
- ALL STORM DRAIN PIPE SHALL BE CLASS III RCP UNLESS OTHERWISE NOTED AND APPROVED BY PCD.
- CONTRACTOR SHALL COORDINATE GEOTECHNICAL TESTING PER ECM STANDARDS. PAVEMENT DESIGN SHALL BE APPROVED BY EL PASO COUNTY PCD PRIOR TO PLACEMENT OF CURB AND GUTTER AND PAVEMENT.
- ALL CONSTRUCTION TRAFFIC MUST ENTER/EXIT THE SITE AT APPROVED CONSTRUCTION ACCESS POINTS.
- SIGHT VISIBILITY TRIANGLES AS IDENTIFIED IN THE PLANS SHALL BE PROVIDED AT ALL INTERSECTIONS. OBSTRUCTIONS GREATER THAN 18 INCHES ABOVE FLOWLINE ARE NOT ALLOWED WITHIN SIGHT TRIANGLES.
- SIGNING AND STRIPING SHALL COMPLY WITH EL PASO COUNTY PUBLIC WORKS DEPARTMENT AND MUTCD CRITERIA.
- CONTRACTOR SHALL OBTAIN ANY PERMITS REQUIRED BY EL PASO COUNTY PUBLIC WORKS DEPARTMENT, INCLUDING WORK WITHIN THE RIGHT-OF-WAY AND SPECIAL TRANSPORT PERMITS.
- THE LIMITS OF CONSTRUCTION SHALL REMAIN WITHIN THE PROPERTY LINE UNLESS OTHERWISE NOTED. THE OWNER/DEVELOPER SHALL OBTAIN WRITTEN PERMISSION AND EASEMENTS, WHERE REQUIRED, FROM ADJOINING PROPERTY OWNER(S) PRIOR TO ANY OFF-SITE DISTURBANCE, GRADING, OR CONSTRUCTION.

STORM SEWER NOTES:

- CONTRACTOR SHALL USE "TYLOX SUPER SEAL" OR APPROVED EQUIL JOINT GASKET FOR ALL RCP STORM SEWER JOINTS

CORE ENGINEERING GROUP
 15004 1ST AVENUE S.
 BURNSVILLE, MN 55306
 PH: 719.570.1100
 CONTACT: RICHARD L. SCHINDLER, P.E.
 EMAIL: Rich@cegi.com

DATE: _____
 DESCRIPTION: _____
 NO: _____
 PREPARED FOR: LORSON, LLC
 212 N. WASHATCH AVE., SUITE 301
 COLORADO SPRINGS, COLORADO 80903
 PROJECT: THE HILLS COLLECTOR STREET CONSTRUCTION
 FONTAINE BLVD GRAYLING DR. LORSON RANCH, LOT 10, 11, 12, 13, 14, 15, 16, 17, 18, 19, 20, 21, 22, 23, 24, 25, 26, 27, 28, 29, 30, 31, 32, 33, 34, 35, 36, 37, 38, 39, 40, 41, 42, 43, 44, 45, 46, 47, 48, 49, 50, 51, 52, 53, 54, 55, 56, 57, 58, 59, 60, 61, 62, 63, 64, 65, 66, 67, 68, 69, 70, 71, 72, 73, 74, 75, 76, 77, 78, 79, 80, 81, 82, 83, 84, 85, 86, 87, 88, 89, 90, 91, 92, 93, 94, 95, 96, 97, 98, 99, 100
 CONTACT: JEFF MARK

DRAWN: RLS
 DESIGNED: RLS
 CHECKED: RLS

**THE HILLS AT LORSON RANCH
 STREET / STORM SEWER
 NOTES**

DATE:
 AUGUST 2, 2020

PROJECT NO.
 100.061

SHEET NUMBER
 C1.2a

TOTAL SHEETS: 58

WIDEFIELD WATER AND SANITATION DISTRICT GENERAL NOTES

1. ALL UTILITY CONSTRUCTION TO BE CONDUCTED IN CONFORMANCE WITH THE CURRENT WIDEFIELD WATER AND SANITATION DISTRICT SPECIFICATIONS. COMPACTION REQUIREMENTS SHALL BE 95% STANDARD PROCTOR AS DETERMINED BY ASTM D698, UNLESS OTHERWISE APPROVED BY THE WIDEFIELD WATER AND SANITATION DISTRICT OR A HIGHER STANDARD IS IMPOSED BY ANOTHER AGENCY HAVING RIGHT-OF-WAY JURISDICTION.
2. ALL MATERIALS AND WORKMANSHIP SHALL BE SUBJECT TO INSPECTION BY THE WIDEFIELD WATER AND SANITATION DISTRICT. THE WIDEFIELD WATER AND SANITATION DISTRICT RESERVES THE RIGHT TO ACCEPT OR REJECT ANY SUCH MATERIALS AND WORKMANSHIP THAT DOES NOT CONFORM TO ITS STANDARDS AND SPECIFICATIONS.
3. THE DEVELOPER OR HIS ENGINEER HAS LOCATED ALL FIRE HYDRANTS AND FUTURE SERVICE STUBS. ANY REQUIRED REALIGNMENT, EITHER HORIZONTAL OR VERTICAL, SHALL BE AT THE EXPENSE OF THE DEVELOPER.
4. ALL DUCTILE IRON PIPE, TO INCLUDE FITTINGS, VALVES AND FIRE HYDRANTS WILL BE WRAPPED WITH POLYETHYLENE TUBING, BONDED AT EACH JOINT AND ELECTRICALLY ISOLATED.
5. ALL DUCTILE IRON PIPE SHALL BE DOUBLE BONDED. DIP SHALL HAVE CATHODIC PROTECTION USING NO. 6 WIRE WITH 17 LB. MAGNESIUM ANODES EVERY 400 FEET.
6. PVC MAIN LINES SHALL BE INSTALLED WITH COATED NO. 12 TRACER WIRE.
7. ALL FITTINGS SHALL BE DUCTILE IRON –MECHANICAL JOINT AND HAVE 9 LB. MAGNESIUM ANODES AT EVERY FITTING.
8. THE CONTRACTOR IS REQUIRED TO NOTIFY THE WIDEFIELD WATER AND SANITATION DISTRICT (390-7111) A MINIMUM OF 48 HOURS AND A MAXIMUM OF 96 HOURS PRIOR TO THE START OF CONSTRUCTION. THE CONTRACTOR SHALL ALSO NOTIFY AFFECTED UTILITY COMPANIES 48 HOURS PRIOR TO CONSTRUCTION ADJACENT TO THE KNOWN UTILITY LINES.
9. THE LOCATION OF ALL UTILITIES AS SHOWN ON THESE DRAWINGS ARE APPROXIMATE ONLY. THE LOCATION OF ALL UTILITIES SHALL BE VERIFIED PRIOR TO CONSTRUCTION BY THE CONTRACTOR.
10. THE CONTRACTOR SHALL FIELD EXCAVATE AND VERIFY THE VERTICAL AND HORIZONTAL LOCATION OF ALL TIE-INS. CONTRACTOR SHALL NOTIFY THE WIDEFIELD WATER AND SANITATION DISTRICT AND THE ENGINEER OF THE FIELD VERIFIED INFORMATION PRIOR TO CONSTRUCTION.
11. ALL BENDS SHALL BE FIELD STAKED PRIOR TO CONSTRUCTION.
12. ANY WATER UTILITY MATERIAL REMOVED AND NOT REUSED SHALL BE RETURNED TO THE WIDEFIELD WATER AND SANITATION DISTRICT IF THE DISTRICT SO REQUESTS.
13. THE CONTRACTOR SHALL AT HIS EXPENSE SUPPORT AND PROTECT ALL UTILITY MAINS SO THAT THEY WILL FUNCTION CONTINUOUSLY DURING CONSTRUCTION. SHOULD A UTILITY MAIN FAIL AS A RESULT OF THE CONTRACTOR'S OPERATION, IT WILL BE REPLACED IMMEDIATELY BY EITHER THE CONTRACTOR OR THE WIDEFIELD WATER AND SANITATION DISTRICT AT FULL COST OF LABOR AND MATERIALS TO THE CONTRACTOR.
14. ANY PUMPING OR BYPASS OPERATIONS MUST BE REVIEWED AND APPROVED PRIOR TO EXECUTION BY BOTH THE WIDEFIELD WATER AND SANITATION DISTRICT AND THE ENGINEER.
15. DISINFECTION SHALL BE ACCOMPLISHED BY GLUING TABLETS TO THE TOP OF THE LINE. POWDER OR GRANULER HTH SHALL NOT BE USED. SEE WIDEFIELD SPECS FOR FURTHER DEFINITION OF DISINFECTION TECHNIQUES.
16. CONTRACTOR MUST REPLACE OR REPAIR ANY DAMAGE TO ALL SURFACE IMPROVEMENTS, INCLUDING BUT NOT LIMITED TO FENCES, CURB AND GUTTER AND/OR ASPHALT THAT MAY BE CAUSED DURING CONSTRUCTION.
17. ALL WATER LINES 6" AND LARGER, AND ALL SEWER LINES 8" AND LARGER, SHALL HAVE AS "AS-BUILT" PLANS PREPARED AND APPROVED PRIOR TO FINAL ACCEPTANCE BY THE WIDEFIELD WATER AND SANITATION DISTRICT.
18. PRIOR TO CONSTRUCTION, A PRE-CONSTRUCTION CONFERENCE IS REQUIRED A MINIMUM OF 72 HOURS IN ADVANCE OF COMMENCEMENT OF WORK. TO SET THE PRE-CONSTRUCTION CONFERENCE, CONTACT BRANDON BERNARD-WATER DEPARTMENT MANAGER AND/OR JASON DREESEN, WASTEWATER DEPARTMENT MANAGER OF THE WIDEFIELD WATER AND SANITATION DISTRICT AT 719-955-0548 FOR A TIME. NO PRE-CONSTRUCTION CONFERENCE TIMES WILL BE SET UNTIL 4 SETS OF SIGNED DRAWINGS ARE RECEIVED BY THE WIDEFIELD W & S DISTRICT. PRE-CONSTRUCTION DATE /INITIALS

WIDEFIELD WATER AND SANITATION DISTRICT UTILITY CONSTRUCTION NOTES

1. ALL DUCTILE IRON PIPE AND FITTINGS SHALL HAVE CATHODIC PROTECTION AND 9 LB MAGNESIUM ANODES AT EVERY FITTING.
2. ALL FIRE HYDRANTS SHALL BE GUARDIAN K-81D HYDRANT KENNEDY VALVE OR AMERICAN AVK SERIES 2700, (MODERN)

UNDERDRAIN CONSTRUCTION NOTES

1. SUMP PUMP DISCHARGES FROM HOUSES MUST DISCHARGE TO UNDERGROUND UNDERDRAIN LATERALS, OPEN SPACE, PONDS, OR SWALES AND ARE NOT ALLOWED TO FLOW OVER PUBLIC SIDEWALK OR CURB/GUTTER.
2. ALL PVC UNDERDRAIN MAINS SHALL BE 4" PVC, SDR 35.
3. UNDERDRAIN LATERALS SHALL BE 3" PVC, SDR 35
4. UNDERDRAIN CLEANOUT BOXES ON THE MAINS SHALL BE A CAST IRON TWO PIECE HEAVY DUTY VALVE BOX MANUFACTURED BY STAR PIPE PRODUCTS OR APPROVED EQUAL. THE TOP PIECE SHALL BE 16" TALL AND THE BOTTOM PIECE SHALL BE 36" TALL.
5. PVC MAIN LINES SHALL BE INSTALLED WITH COATED NO. 12 TRACER WIRE.
6. ALL FITTINGS SHALL BE DUCTILE IRON –MECHANICAL JOINT AND HAVE 1 LB. MAGNESIUM ANODES AT EVERY FITTING.
7. THE LOCATION OF ALL UTILITIES AS SHOWN ON THESE DRAWINGS ARE APPROXIMATE ONLY. THE LOCATION OF ALL UTILITIES SHALL BE VERIFIED PRIOR TO CONSTRUCTION BY THE CONTRACTOR.
8. THE CONTRACTOR SHALL FIELD EXCAVATE AND VERIFY THE VERTICAL AND HORIZONTAL LOCATION OF ALL TIE-INS. CONTRACTOR SHALL NOTIFY THE ENGINEER OF THE FIELD VERIFIED INFORMATION PRIOR TO CONSTRUCTION.
9. ALL BENDS SHALL BE FIELD STAKED PRIOR TO CONSTRUCTION.
10. THE CONTRACTOR SHALL AT HIS EXPENSE SUPPORT AND PROTECT ALL UTILITY MAINS SO THAT THEY WILL FUNCTION CONTINUOUSLY DURING CONSTRUCTION. SHOULD A UTILITY MAIN FAIL AS A RESULT OF THE CONTRACTOR'S OPERATION, IT WILL BE REPLACED IMMEDIATELY BY THE CONTRACTOR AT FULL COST OF LABOR AND MATERIALS TO THE CONTRACTOR.

CORE
ENGINEERING GROUP
 15004 1ST AVENUE S.
 BURNSVILLE, MN 55306
 PH: 719.570.1100
 CONTACT: RICHARD L. SCHINDLER, P.E.
 EMAIL: Rlen@cegi.com

DATE
 DESCRIPTION
 NO.
 PREPARED FOR:
LORSON, LLC
 212 N. WASHATCH AVE., SUITE 301
 COLORADO SPRINGS, CO 80903
 CONTACT: JEFF MARK

PROJECT:
THE HILLS COLLECTOR STREET CONSTRUCTION
 FONTAINE BLVD GRAYLING DR. COLLECTOR
 LORSON SPRINGS, COLORADO

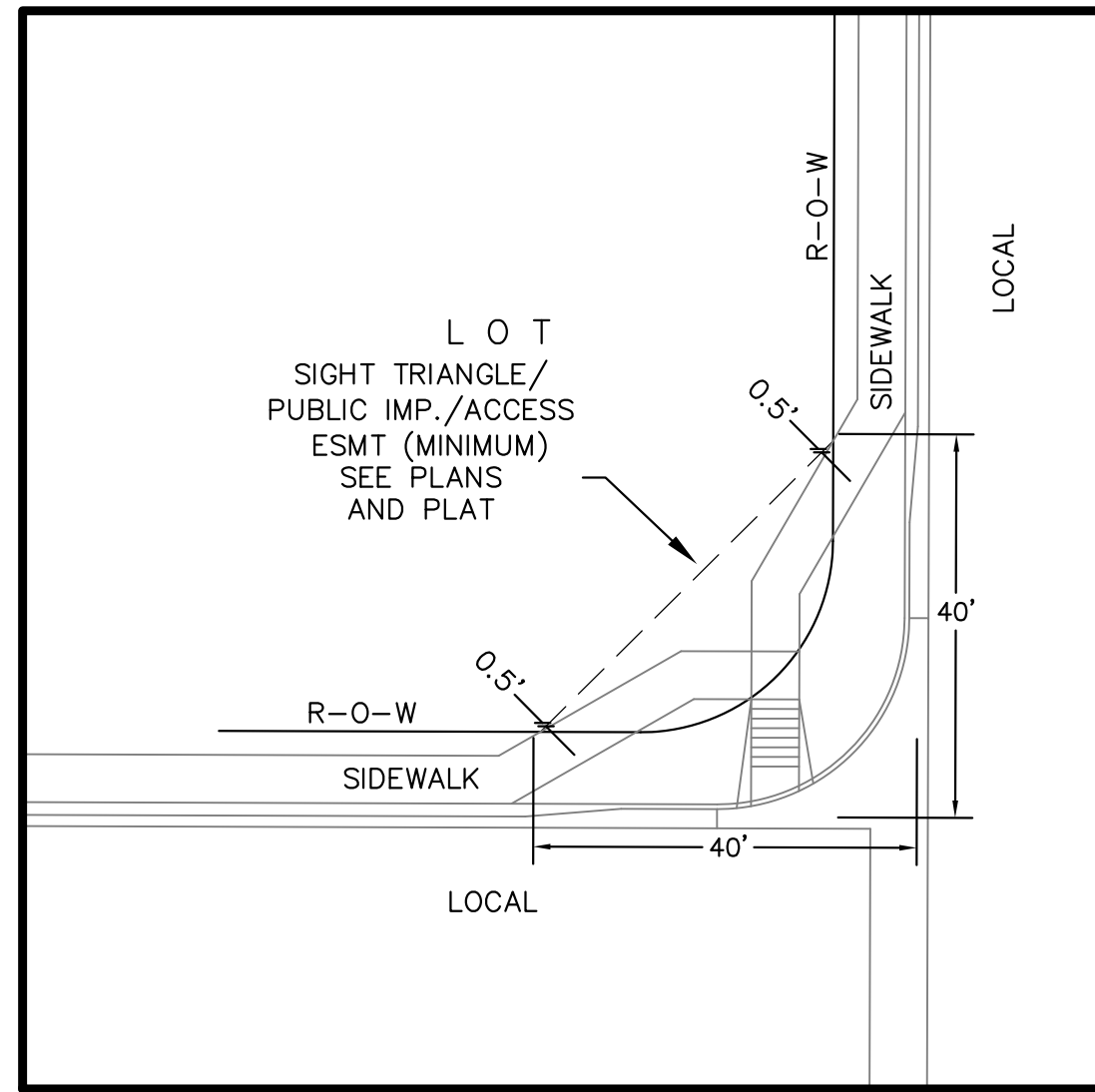
DRAWN: RLS
 DESIGNED: RLS
 CHECKED: RLS

THE HILLS AT LORSON RANCH
SANITARY SEWER/WATERMAIN
NOTES

DATE:
 AUGUST 2, 2020

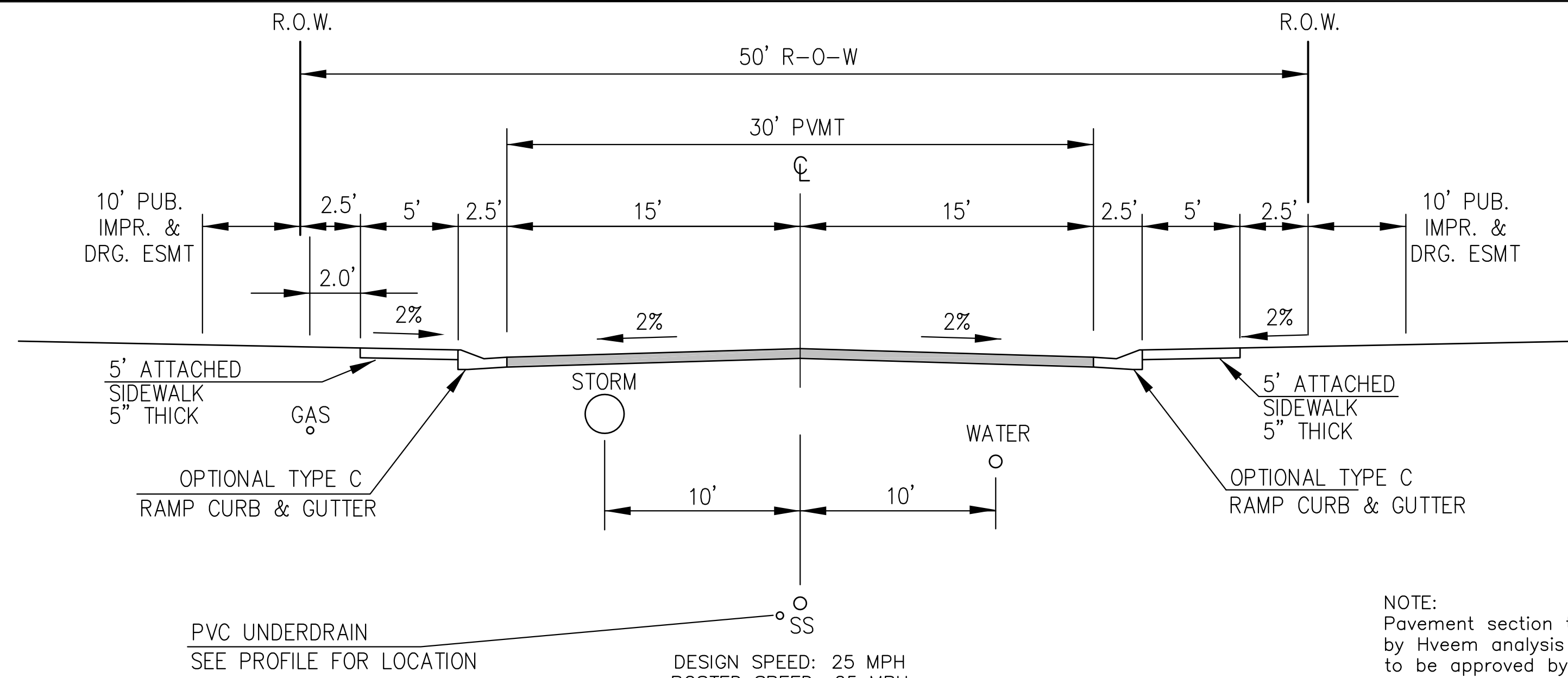
PROJECT NO.
 100.061

SHEET NUMBER
 C1.2b
 TOTAL SHEETS: 58



**LOCAL ROADWAY SIGHT TRIANGLE
PUBLIC IMPROVEMENT ESMT.**
NOT TO SCALE

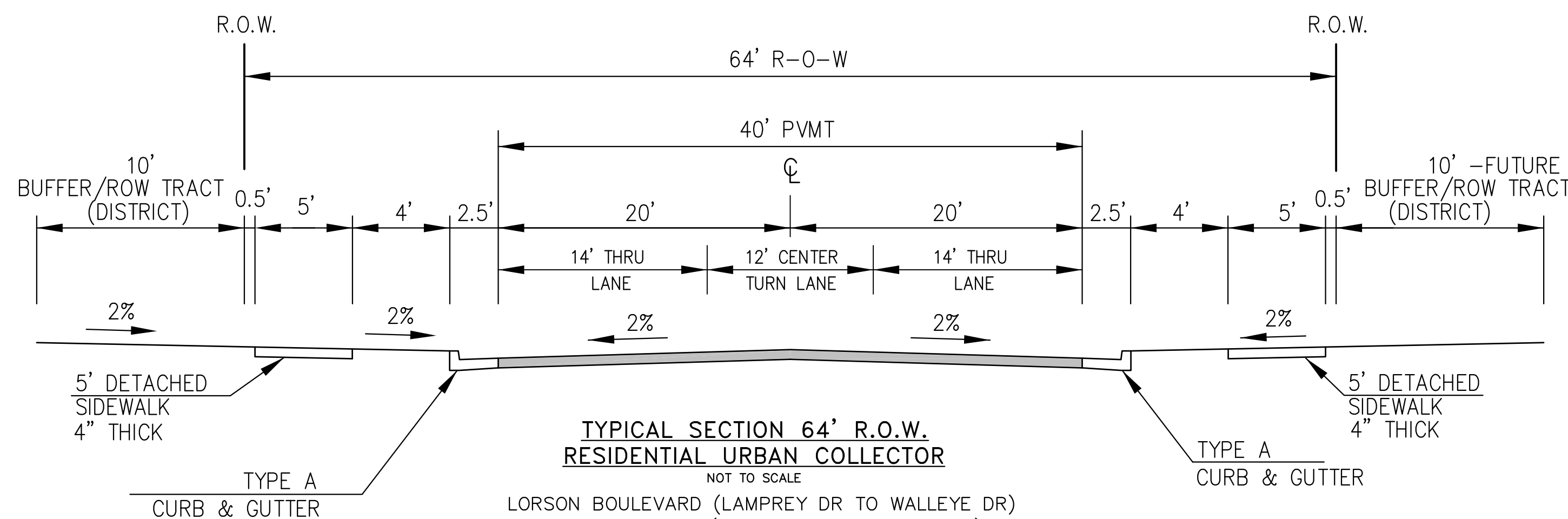
NOTE:
ADDITIONAL PUBLIC IMPROVEMENT EASEMENTS ARE REQUIRED WHERE
SIDEWALK ENCLOSES INTO THE PRIVATE LOTS. SEE CONSTRUCTION DRAWINGS
AND THE FINAL PLAT. SEE CONSTRUCTION DRAWINGS AND PLAT FOR SIGHT TRIANGLES



**TYPICAL SECTION 50' R.O.W.
RESIDENTIAL URBAN LOCAL**
NOT TO SCALE

BROOKTROUT TR, SPLAKE ST, LAKE TROUT DR,
SANDERLING ST, SCRUB JAY TR, YELLOWTHROAT TER, MURRELET DR

NOTE:
Pavement section to be determined
by Hveem analysis and design. Design
to be approved by El Paso County PCD Engineering

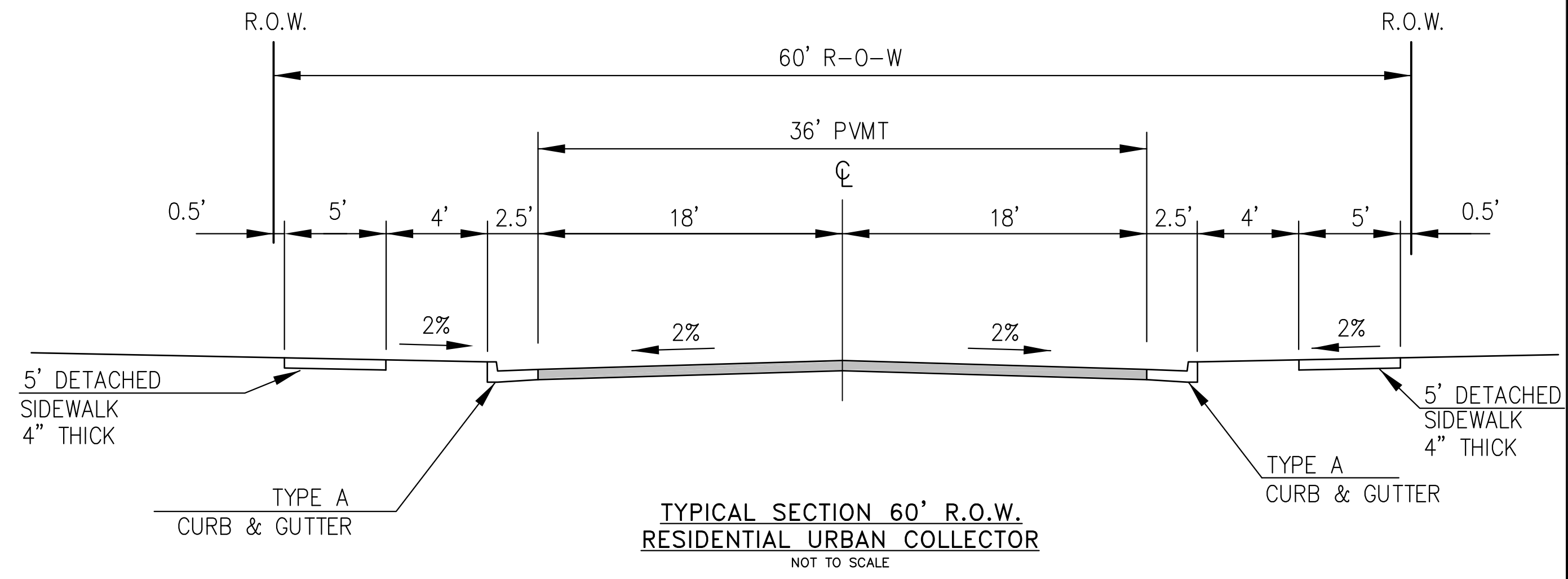


**TYPICAL SECTION 64' R.O.W.
RESIDENTIAL URBAN COLLECTOR**
NOT TO SCALE

LORSON BOULEVARD (LAMPREY DR TO WALLEYE DR)
WALLEYE DRIVE (SOUTH OF FONTAINE BLVD)

DESIGN SPEED: 40 MPH
POSTED SPEED: 35 MPH

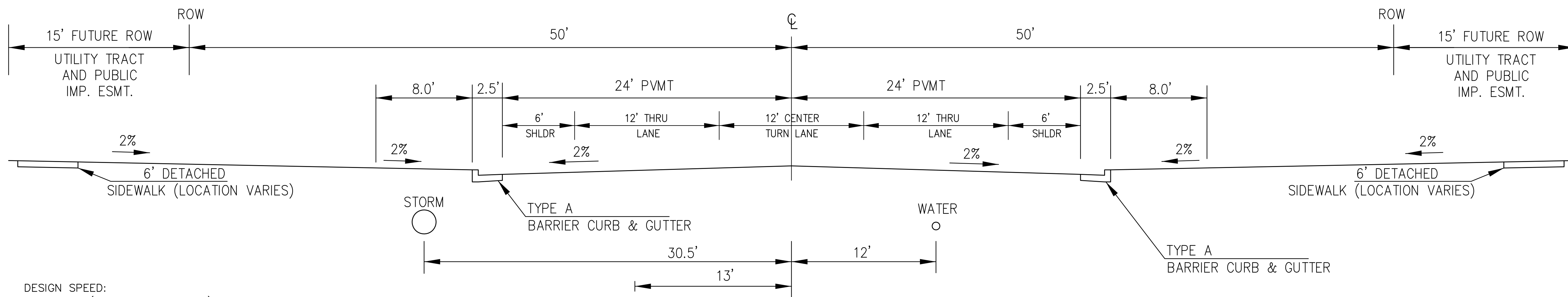
NOTE:
Pavement section to be determined
by Hveem analysis and design. Design
to be approved by PCD Engineering



**TYPICAL SECTION 60' R.O.W.
RESIDENTIAL URBAN COLLECTOR**
NOT TO SCALE

WALLEYE DRIVE (NORTH OF FONTAINE)
GRAYLING DRIVE
LAMPREY DRIVE

DESIGN SPEED: 40 MPH
POSTED SPEED: 35 MPH

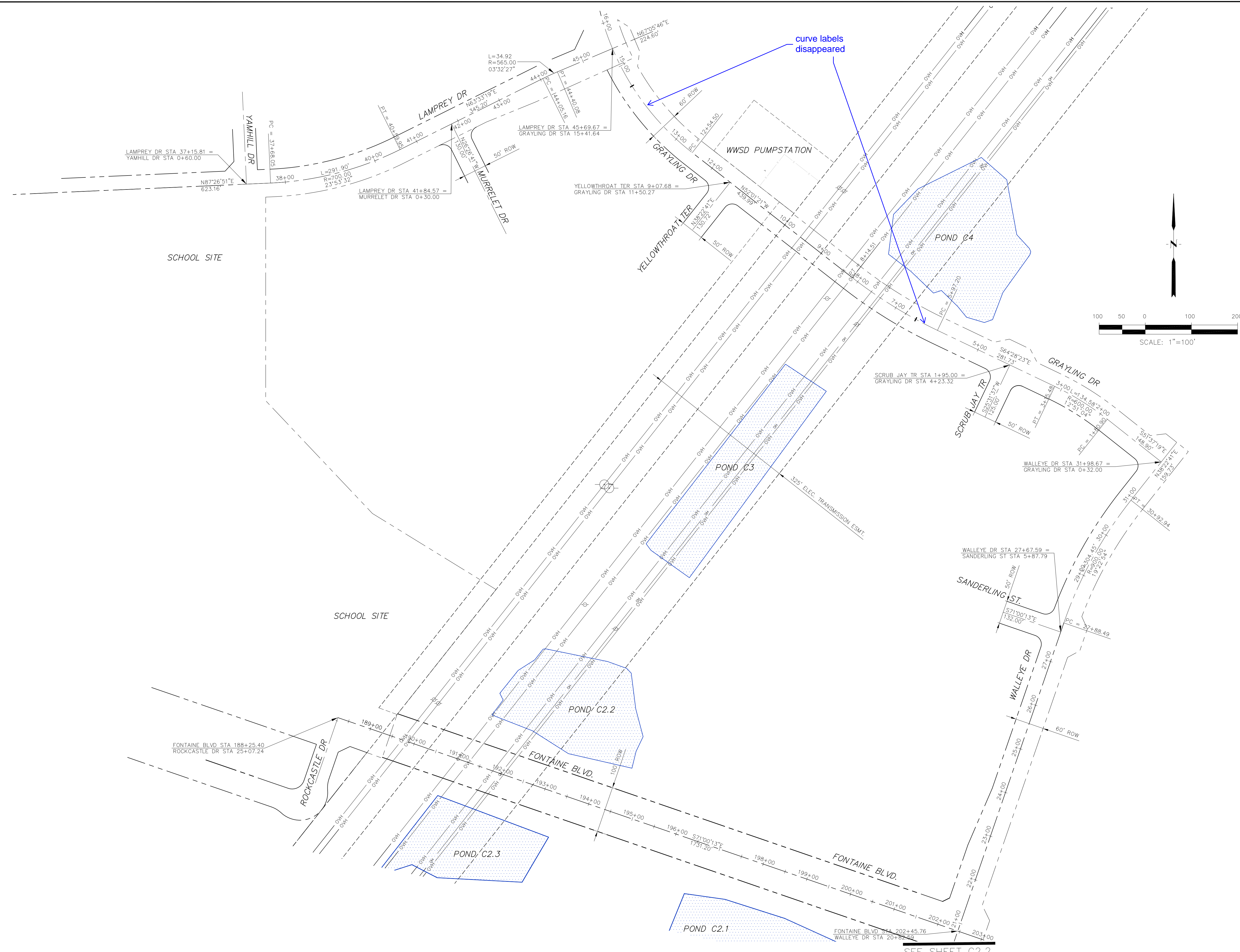


**TYPICAL SECTION 100' R.O.W.
FONTAINE BLVD**
NOT TO SCALE

DESIGN SPEED:
1. 50MPH (PRINCIPAL ARTERIAL)
2. 40MPH FOR TAPERS (WESTBOUND) (NON-RES COLLECTOR)

NOTE:
Pavement section to be determined
by Hveem analysis and design. Design
to be approved by El Paso County PCD and Engineering

CORE ENGINEERING GROUP 15004 1ST AVENUE S. BURNSVILLE, MN 55306 PH: 719.570.1100 CONTACT: RICHARD L. SCHINDLER, P.E. EMAIL: Rich@cegi.com	
DATE	
DESCRIPTION	
NO.	
PREPARED FOR:	LORSON, LLC 212 N. WASHBACH AVE., SUITE 301 COLORADO SPRINGS, CO 80903
PROJECT:	THE HILLS COLLECTOR STREET CONSTRUCTION FONTAINE BLVD TO GRAYLING DR. LORSON BOULEVARD, COLORADO SPRINGS, COLORADO
CONTACT:	JEFF MARK
DRAWN:	RLS
DESIGNED:	RLS
CHECKED:	RLS
TYPICAL SECTIONS	
DATE:	AUGUST 2, 2020
PROJECT NO.	100.061
SHEET NUMBER	C1.3
TOTAL SHEETS:	58



CORE
ENGINEERING GROUP
 15004 1ST AVENUE S.
 PHOENIX, AZ 85006
 CONTACT: RICHARD L. SCHINDLER, P.E.
 EMAIL: Rich@cog1.com

DATE: _____
 DESCRIPTION: _____
 NO: _____

PREPARED FOR:
LORSON, LLC
 212 N. WAHSATCH AVE, SUITE 301
 COLORADO SPRINGS, COLORADO 80903
 CONTACT: JEFF MARK

PROJECT:
THE HILLS COLLECTOR STREET CONSTRUCTION
 FONTAINE BLVD - GRAYLING DR
 LORSON BLVD - WALLEYE DR - LAMPREY DR
 COLORADO SPRINGS, COLORADO

DRAWN: RLS
 DESIGNED: RLS
 CHECKED: RLS

HORIZONTAL CONTROL PLAN

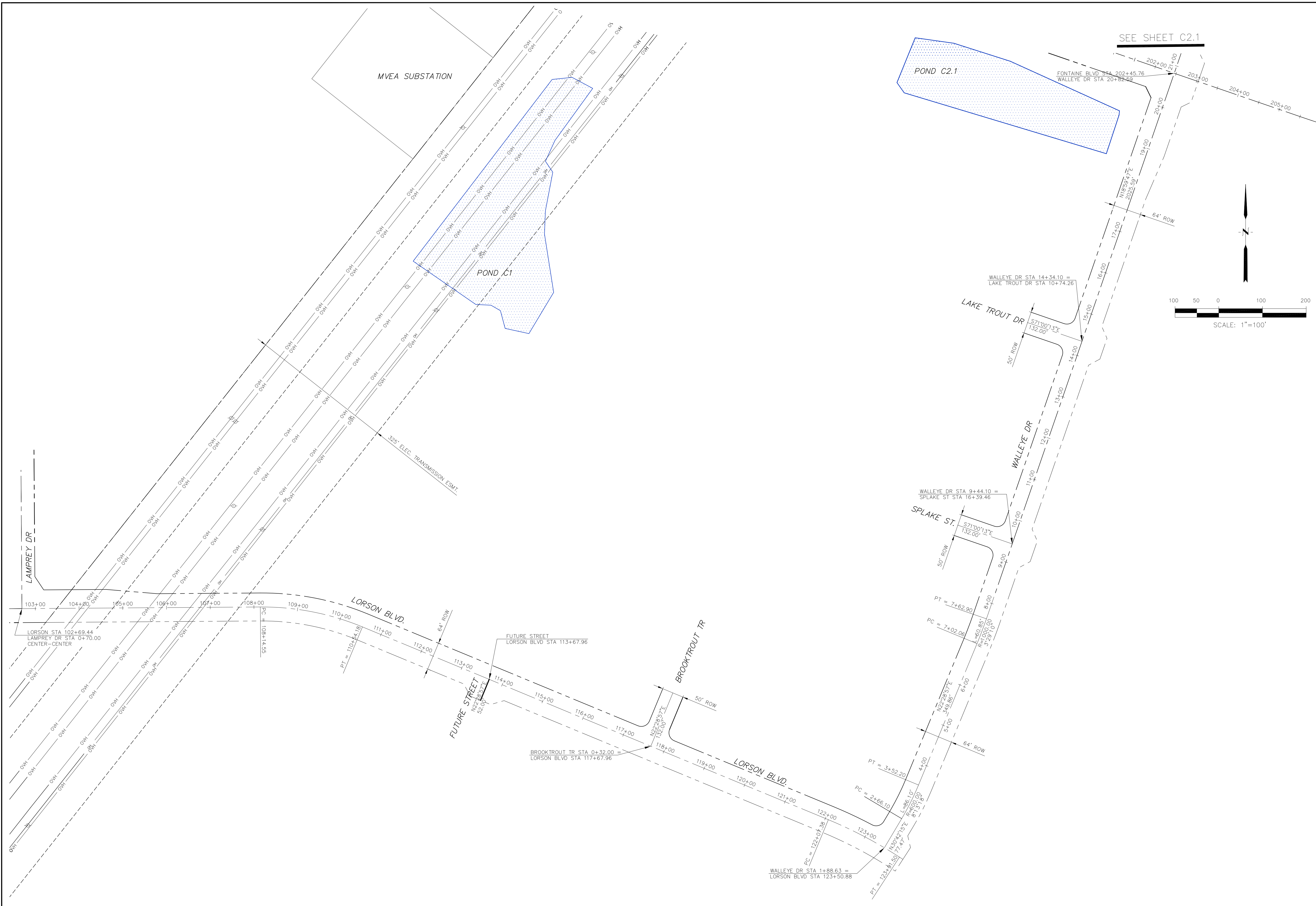
DATE:
 AUGUST 2, 2020

PROJECT NO.
 100.061

SHEET NUMBER
C2.1

TOTAL SHEETS: 58

SEE SHEET C2.2



CORE ENGINEERING GROUP
 15004 1ST AVENUE S.
 PHOENIX, AZ 85006
 CONTACT: RICHARD L. SCHINDLER, P.E.
 EMAIL: Rich@cge1.com

DATE: _____
 DESCRIPTION: _____
 NO. _____

PREPARED FOR:
LORSON, LLC
 212 N. WAHSATCH AVE, SUITE 301
 COLORADO SPRINGS, COLORADO 80903
 CONTACT: JEFF MARK

PROJECT:
THE HILLS COLLECTOR STREET CONSTRUCTION
 FONTAINE BLVD - GRAYLING DR
 LORSON BLVD - WALLEYE DR - LAMPREY DR
 COLORADO SPRINGS, COLORADO

DRAWN: RLS
 DESIGNED: RLS
 CHECKED: RLS

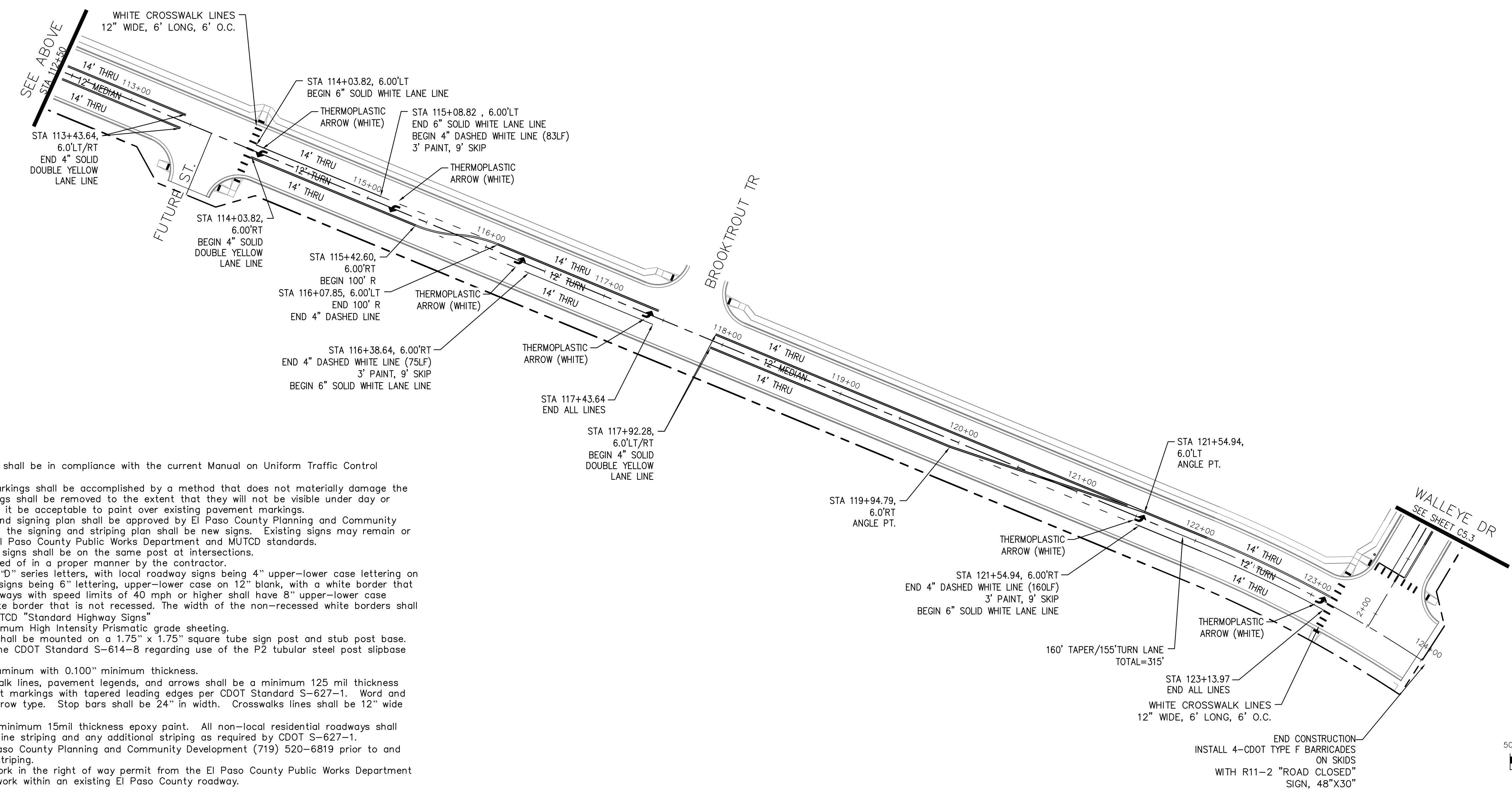
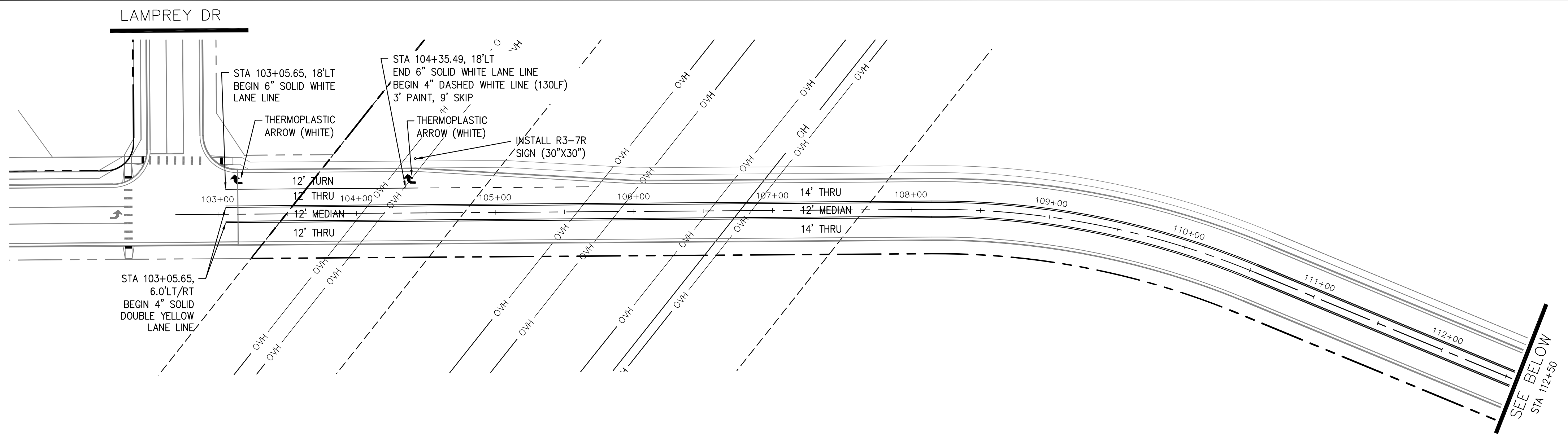
HORIZONTAL CONTROL PLAN

DATE:
 AUGUST 2, 2020

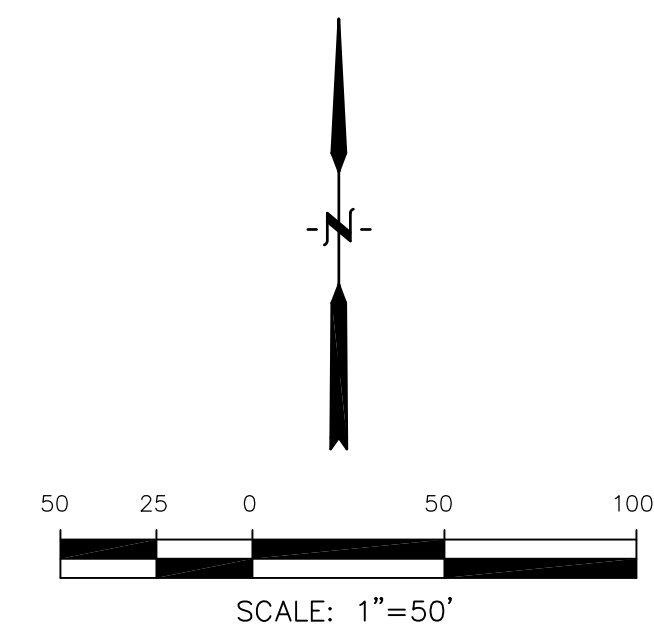
PROJECT NO.
 100.061

SHEET NUMBER
C2.2

TOTAL SHEETS: 58



- Signing and Striping Notes:**
- All signs and pavement markings shall be in compliance with the current Manual on Uniform Traffic Control Devices (MUTCD).
 - Removal of existing pavement markings shall be accomplished by a method that does not materially damage the pavement. The pavement markings shall be removed to the extent that they will not be visible under day or night conditions. At no time will it be acceptable to paint over existing pavement markings.
 - Any deviation from the striping and signing plan shall be approved by El Paso County Planning and Community Development. All signs shown on the signing and striping plan shall be new signs. Existing signs may remain or be reused if they meet current El Paso County Public Works Department and MUTCD standards.
 - Street name and regulatory stop signs shall be on the same post at intersections.
 - All removed signs shall be disposed of in a proper manner by the contractor.
 - All street name signs shall have "D" series letters, with local roadway signs being 4" upper-lower case lettering on 8" blank and non-local roadway signs being 6" lettering, upper-lower case on 12" blank, with a white border that is not recessed. Multi-lane roadways with speed limits of 40 mph or higher shall have 8" upper-lower case lettering on 18" blank with a white border that is not recessed. The width of the non-recessed white borders shall match page 255 of the 2012 MUTCD "Standard Highway Signs".
 - All traffic signs shall have a minimum High Intensity Prismatic grade sheeting.
 - All local residential street signs shall be mounted on a 1.75" x 1.75" square tube sign post and stub post base. For other applications, refer to the CDOT Standard S-614-8 regarding use of the P2 tubular steel post slipbase design.
 - All signs shall be single sheet aluminum with 0.100" minimum thickness.
 - All limit lines/stop lines, crosswalk lines, pavement legends, and arrows shall be a minimum 125 mil thickness preformed thermoplastic pavement markings with tapered leading edges per CDOT Standard S-627-1. Word and symbol markings shall be the narrow type. Stop bars shall be 24" in width. Crosswalks lines shall be 12" wide and 8' long per CDOT S-627-1.
 - All longitudinal lines shall be a minimum 15mil thickness epoxy paint. All non-local residential roadways shall include both right and left edge line striping and any additional striping as required by CDOT S-627-1.
 - The contractor shall notify El Paso County Planning and Community Development (719) 520-6819 prior to and upon completion of signing and striping.
 - The contractor shall obtain a work in the right of way permit from the El Paso County Public Works Department prior to any signage or striping work within an existing El Paso County roadway.



CORE
ENGINEERING GROUP
 15004 1ST AVENUE S.
 BLDG 79 S701100
 COLORADO SPRINGS, COLORADO 80903
 CONTACT: RICHARD L. SCHINDLER, P.E.
 EMAIL: Rich@cegi.com

DATE: _____
 NO. _____
 DESCRIPTION: _____
 PREPARED FOR:
LORSON, LLC
 212 N. WAHSATCH AVE., SUITE 301
 COLORADO SPRINGS, COLORADO 80903
 CONTACT: JEFF MARK

PROJECT:
THE HILLS COLLECTOR
STREET CONSTRUCTION
 FONTAINE BLVD. - GRAYLING DR
 LORSON BLVD - WALLEYE DR - LAMPREY DR
 COLORADO SPRINGS, COLORADO

DRAWN: RLS
 DESIGNED: RLS
 CHECKED: RLS

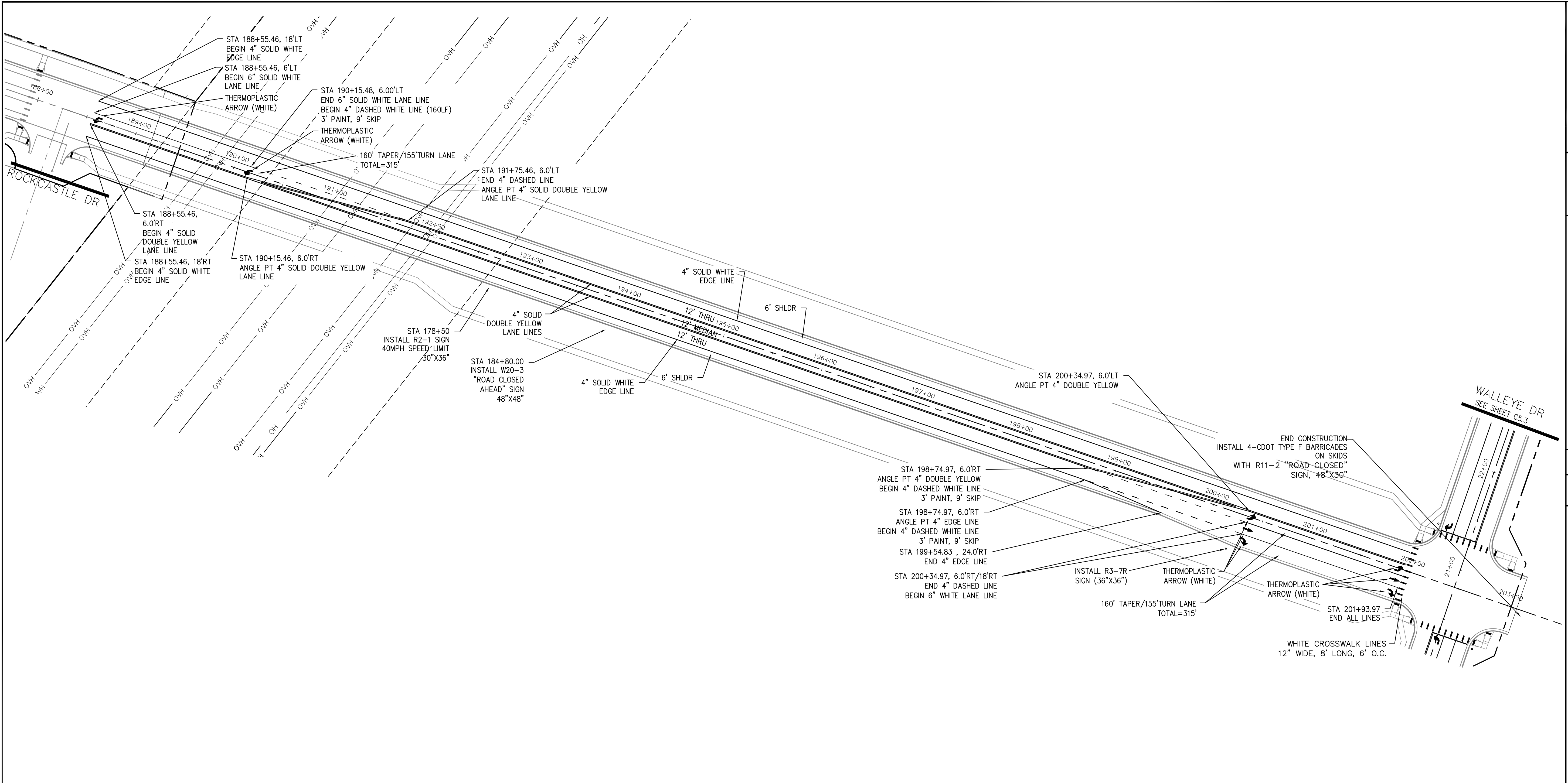
LORSON BLVD
SIGNING & STRIPING PLAN

DATE:
AUGUST 2, 2020

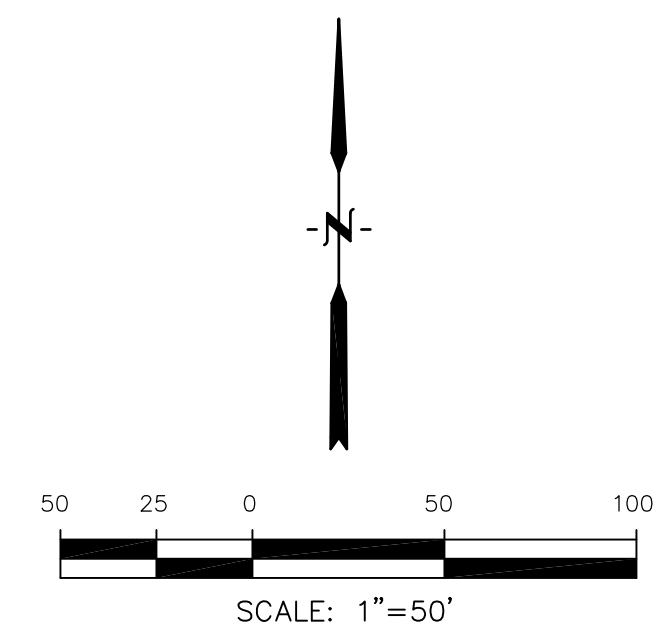
PROJECT NO.
100.061

SHEET NUMBER
C5.1

TOTAL SHEETS: 58



- Signing and Striping Notes:**
- All signs and pavement markings shall be in compliance with the current Manual on Uniform Traffic Control Devices (MUTCD).
 - Removal of existing pavement markings shall be accomplished by a method that does not materially damage the pavement. The pavement markings shall be removed to the extent that they will not be visible under day or night conditions. At no time will it be acceptable to paint over existing pavement markings.
 - Any deviation from the striping and signing plan shall be approved by El Paso County Planning and Community Development. All signs shown on the signing and striping plan shall be new signs. Existing signs may remain or be reused if they meet current El Paso County Public Works Department and MUTCD standards.
 - Street name and regulatory stop signs shall be on the same post at intersections.
 - All removed signs shall be disposed of in a proper manner by the contractor.
 - All street name signs shall have "D" series letters, with local roadway signs being 4" upper-lower case lettering on 8" blank and non-local roadway signs being 6" lettering, upper-lower case on 12" blank, with a white border that is not recessed. Multi-lane roadways with speed limits of 40 mph or higher shall have 8" upper-lower case lettering on 18" blank with a white border that is not recessed. The width of the non-recessed white borders shall match page 255 of the 2012 MUTCD "Standard Highway Signs"
 - All traffic signs shall have a minimum High Intensity Prismatic grade sheeting.
 - All local residential street signs shall be mounted on a 1.75" x 1.75" square tube sign post and stub post base. For other applications, refer to the CDOT Standard S-614-8 regarding use of the P2 tubular steel post slipbase design.
 - All signs shall be single sheet aluminum with 0.100" minimum thickness.
 - All limit lines/stop lines, crosswalk lines, pavement legends, and arrows shall be a minimum 125 mil thickness preformed thermoplastic pavement markings with tapered leading edges per CDOT Standard S-627-1. Word and symbol markings shall be the narrow type. Stop bars shall be 24" in width. Crosswalks lines shall be 12" wide and 8' long per CDOT S-627-1.
 - All longitudinal lines shall be a minimum 15mil thickness epoxy paint. All non-local residential roadways shall include both right and left edge line striping and any additional striping as required by CDOT S-627-1.
 - The contractor shall notify El Paso County Planning and Community Development (719) 520-6819 prior to and upon completion of signing and striping.
 - The contractor shall obtain a work in the right of way permit from the El Paso County Public Works Department prior to any signage or striping work within an existing El Paso County roadway.



CORE ENGINEERING GROUP
 15004 1ST AVENUE S.
 BLDG 100 SUITE 5506
 PARKER, CO 80138
 CONTACT: RICHARD L. SCHINDLER, P.E.
 EMAIL: Rich@cegi.com

DATE: _____
 DESCRIPTION: _____
 NO: _____

PREPARED FOR:
LORSON, LLC
 212 N. WAHSATCH AVE. SUITE 301
 COLORADO SPRINGS, COLORADO 80903
 CONTACT: JEFF MARK

PROJECT:
THE HILLS COLLECTOR STREET CONSTRUCTION
 FONTAINE BLVD - GRAYLING DR
 LORSON BLVD - WALLEYE DR - LAMPREY DR
 COLORADO SPRINGS, COLORADO

DRAWN: RLS
 DESIGNED: RLS
 CHECKED: RLS

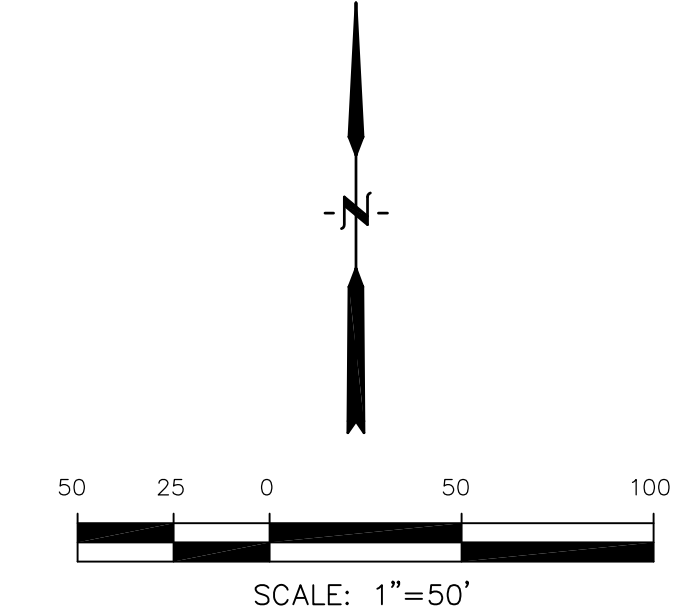
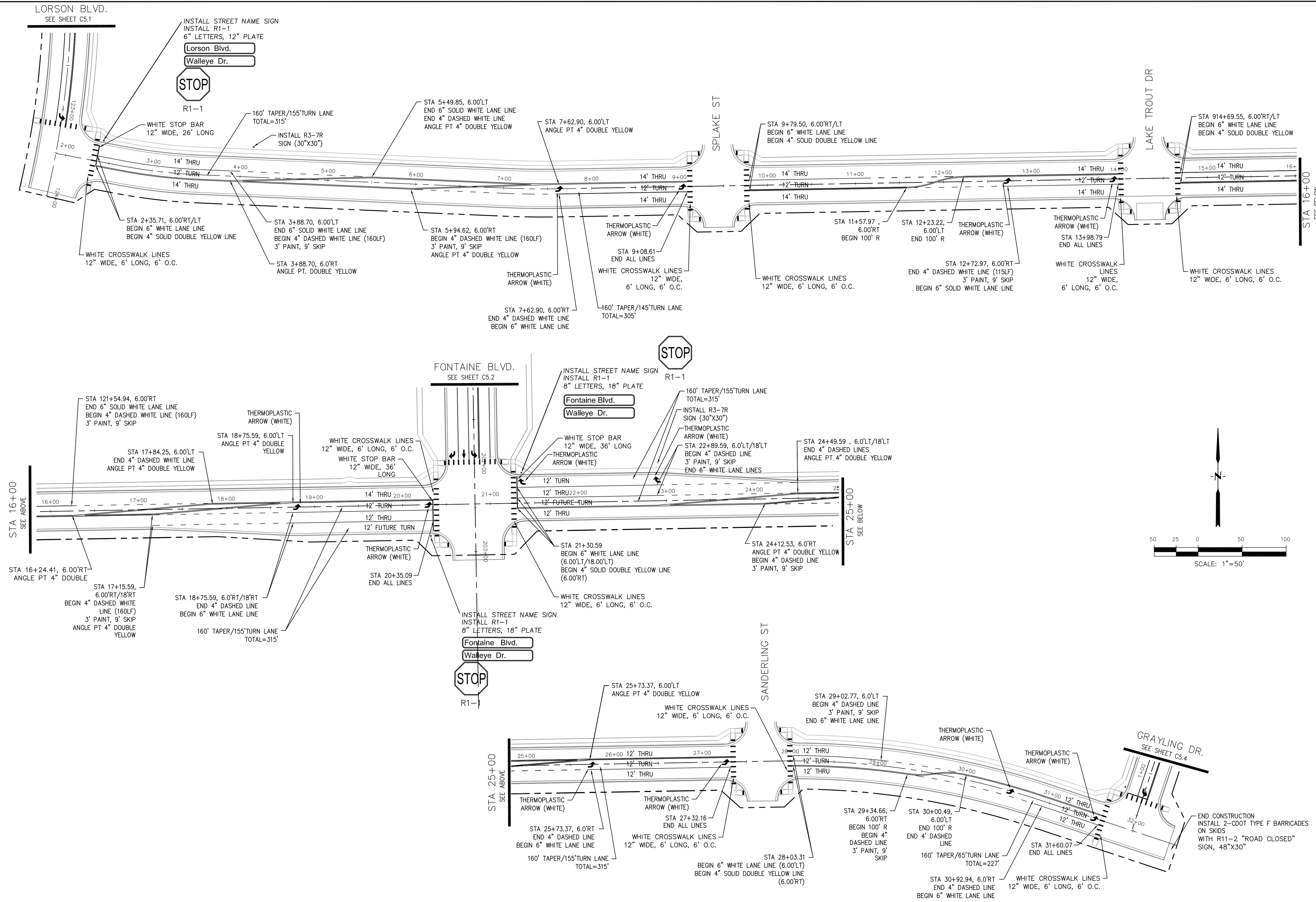
**FONTAINE BLVD.
 SIGNING & STRIPING PLAN**

DATE:
AUGUST 2, 2020

PROJECT NO.
100.061

SHEET NUMBER
C5.2

TOTAL SHEETS: 58

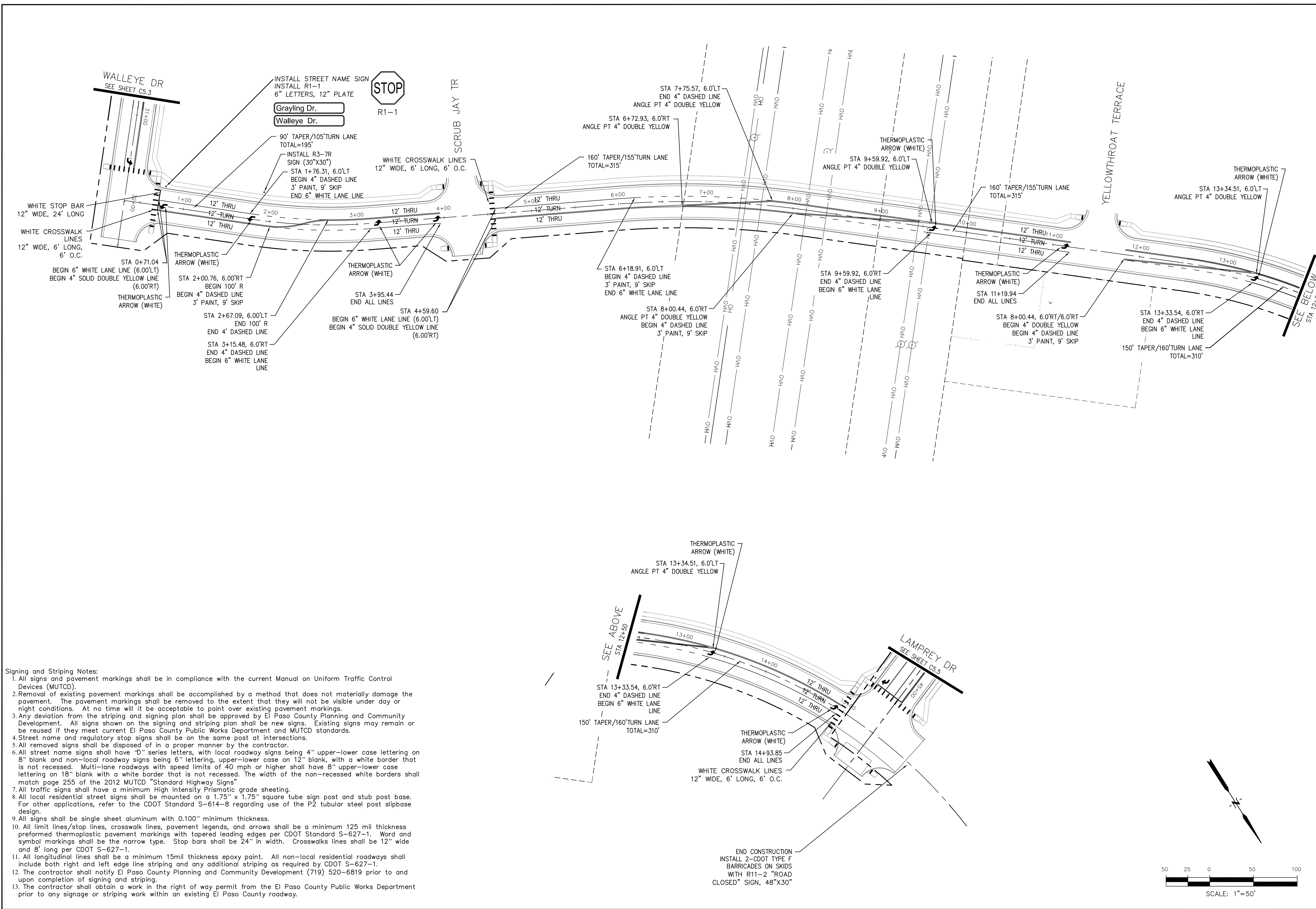


CORE ENGINEERING GROUP	DATE	4/20/2018
	DESCRIPTION	ADD WARNING SIGNS PER COUNTY COMMENTS
NO.	1.	
PROJECT:	THE HILLS COLLECTOR STREET CONSTRUCTION LORSON BLVD - WALLEYE DR - LAMPREY DR COLORADO SPRINGS, COLORADO	
PREPARED FOR:	LORSON, LLC 212 N. WAHSATCH AVE., SUITE 301 COLORADO SPRINGS, COLORADO 80903 (719) 635-3200 CONTACT: JEFF MARK	
PROJECT:	15004 1ST AVENUE S. SUITE 100 DENVER, CO 80202 PHONE: 303.757.1100 CONTACT: RICHARD L. SCHINDLER, P.E. EMAIL: Rich@eg1.com	

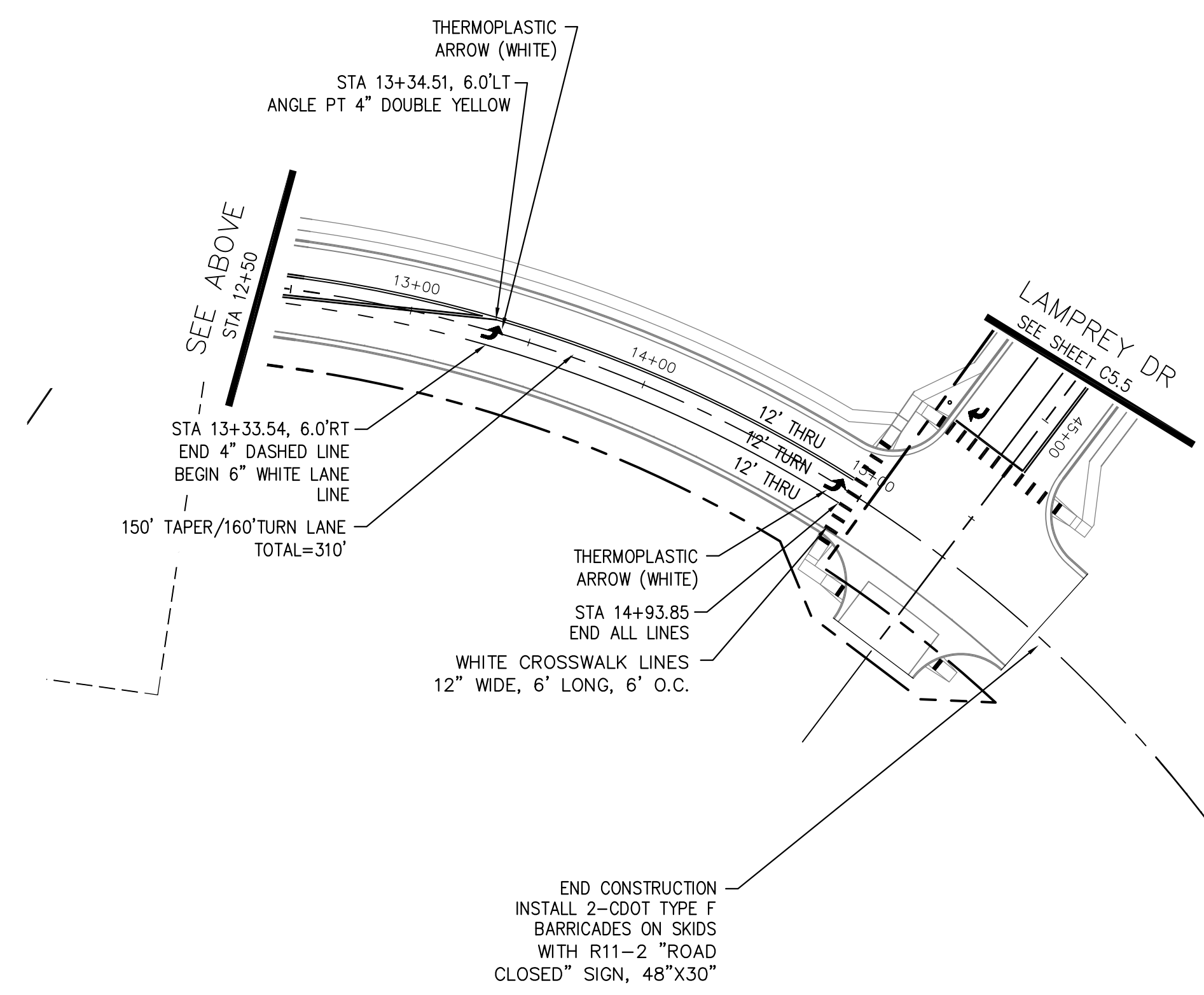
DRAWN: RLS
DESIGNED: RLS
CHECKED: RLS

WALLEYE DR
SIGNING & STRIPING PLAN

DATE:	AUGUST 2, 2020
PROJECT NO.	100.061
SHEET NUMBER	C5.3
TOTAL SHEETS:	58



- Signing and Striping Notes:**
- All signs and pavement markings shall be in compliance with the current Manual on Uniform Traffic Control Devices (MUTCD).
 - Removal of existing pavement markings shall be accomplished by a method that does not materially damage the pavement. The pavement markings shall be removed to the extent that they will not be visible under day or night conditions. At no time will it be acceptable to paint over existing pavement markings.
 - Any deviation from the striping and signing plan shall be approved by El Paso County Planning and Community Development. All signs shown on the signing and striping plan shall be new signs. Existing signs may remain or be reused if they meet current El Paso County Public Works Department and MUTCD standards.
 - Street name and regulatory stop signs shall be on the same post at intersections.
 - All removed signs shall be disposed of in a proper manner by the contractor.
 - All street name signs shall have "D" series letters, with local roadway signs being 4" upper-lower case lettering on 8" blank and non-local roadway signs being 6" lettering, upper-lower case on 12" blank, with a white border that is not recessed. Multi-lane roadways with speed limits of 40 mph or higher shall have 8" upper-lower case lettering on 18" blank with a white border that is not recessed. The width of the non-recessed white borders shall match page 255 of the 2012 MUTCD "Standard Highway Signs".
 - All traffic signs shall have a minimum High Intensity Prismatic grade sheeting.
 - All local residential street signs shall be mounted on a 1.75" x 1.75" square tube sign post and stub post base. For other applications, refer to the CDOT Standard S-614-8 regarding use of the P2 tubular steel post slipbase design.
 - All signs shall be single sheet aluminum with 0.100" minimum thickness.
 - All limit lines/stop lines, crosswalk lines, pavement legends, and arrows shall be a minimum 125 mil thickness preformed thermoplastic pavement markings with tapered leading edges per CDOT Standard S-627-1. Word and symbol markings shall be the narrow type. Stop bars shall be 24" in width. Crosswalks lines shall be 12" wide and 8' long per CDOT S-627-1.
 - All longitudinal lines shall be a minimum 15mil thickness epoxy paint. All non-local residential roadways shall include both right and left edge line striping and any additional striping as required by CDOT S-627-1.
 - The contractor shall notify El Paso County Planning and Community Development (719) 520-6819 prior to and upon completion of signing and striping.
 - The contractor shall obtain a work in the right of way permit from the El Paso County Public Works Department prior to any signage or striping work within an existing El Paso County roadway.



CORE ENGINEERING GROUP
 15004 1ST AVENUE S.
 BLDG 790 STB 1100
 COLORADO SPRINGS, CO 80903
 CONTACT: RICHARD L. SCHINDLER, P.E.
 EMAIL: Rich@cegi.com

DATE: _____
 DESCRIPTION: _____
 NO: _____
 DRAWN: RLS
 DESIGNED: RLS
 CHECKED: RLS

PREPARED FOR:
LORSON, LLC
 212 N. WAHSATCH AVE., SUITE 301
 COLORADO SPRINGS, COLORADO 80903
 CONTACT: JEFF MARK

PROJECT:
THE HILLS COLLECTOR STREET CONSTRUCTION
 FONTAINE BLVD - GRAYLING DR
 LORSON BLVD - WALLEYE DR - LAMPREY DR
 COLORADO SPRINGS, COLORADO

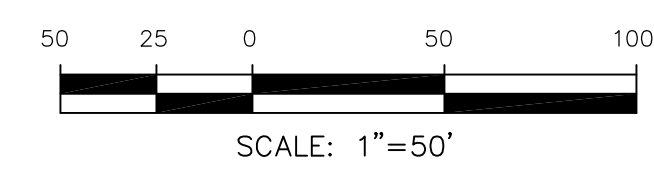
DATE: _____
 AUGUST 2, 2020

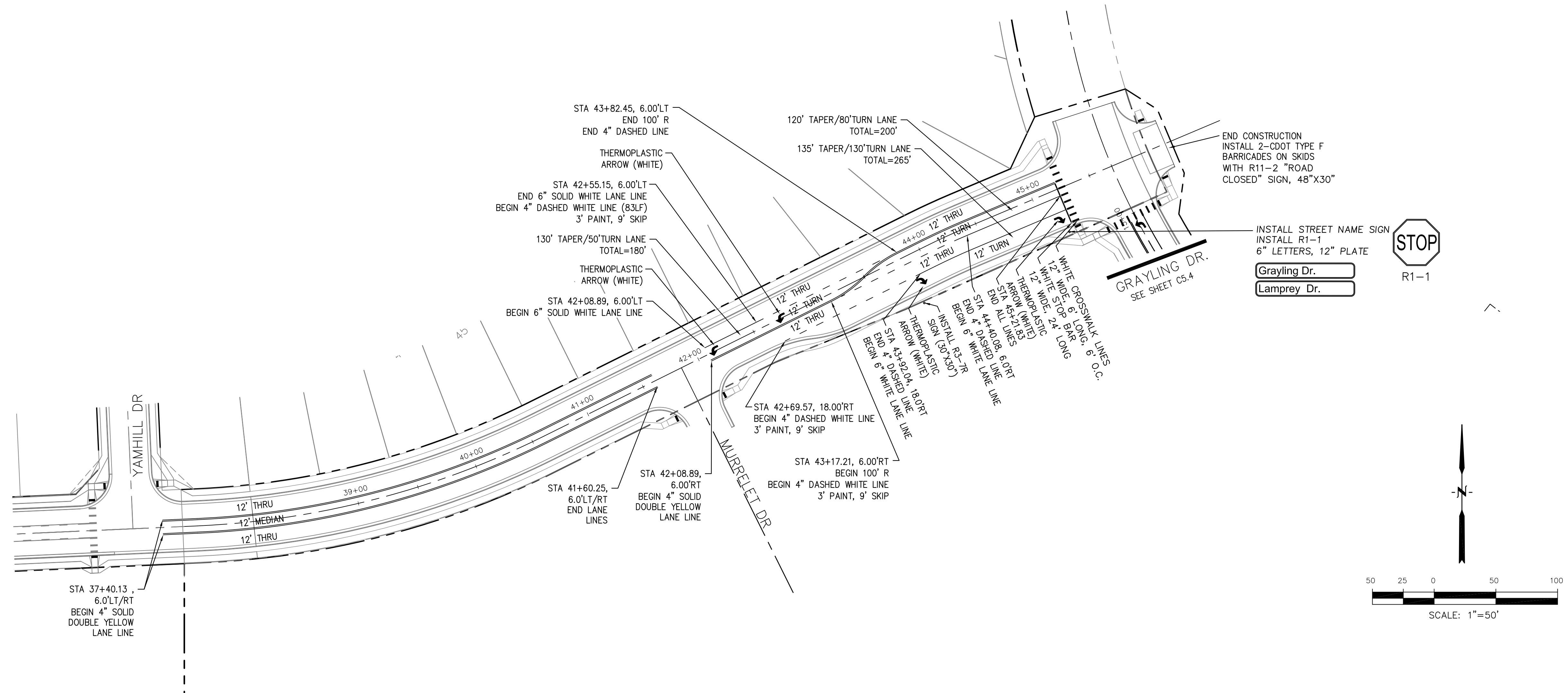
PROJECT NO.
100.061

SHEET NUMBER
C5.4

TOTAL SHEETS: 58

GRAYLING DRIVE SIGNING & STRIPING PLAN





CORE
ENGINEERING GROUP
 15004 1ST AVENUE S.
 BIRCHMOUNT, CO 80106
 PH: 719.570.1100
 CONTACT: RICHARD L. SCHINDLER, P.E.
 EMAIL: Rich@ceg1.com

DATE: 4/20/2018
 DESCRIPTION: ADD WARNING SIGNS PER COUNTY COMMENTS
 PREPARED FOR: LORSON, LLC
 212 N. WAHSATCH AVE, SUITE 301
 COLORADO SPRINGS, COLORADO 80903
 CONTACT: JEFF MARK

PROJECT: THE HILLS COLLECTOR STREET CONSTRUCTION
 FONTAINE BLVD - GRAYLING DR
 LORSON BLVD - WALLEYE DR - LAMPREY DR
 COLORADO SPRINGS, COLORADO

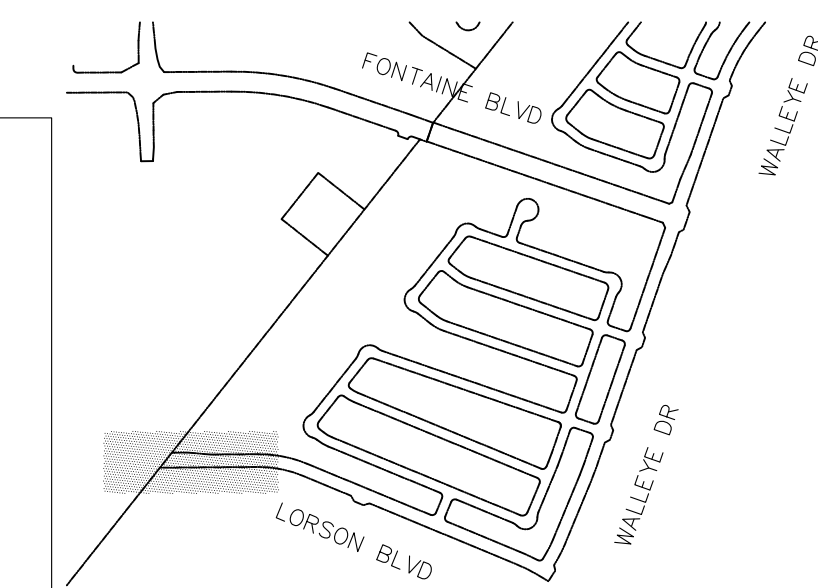
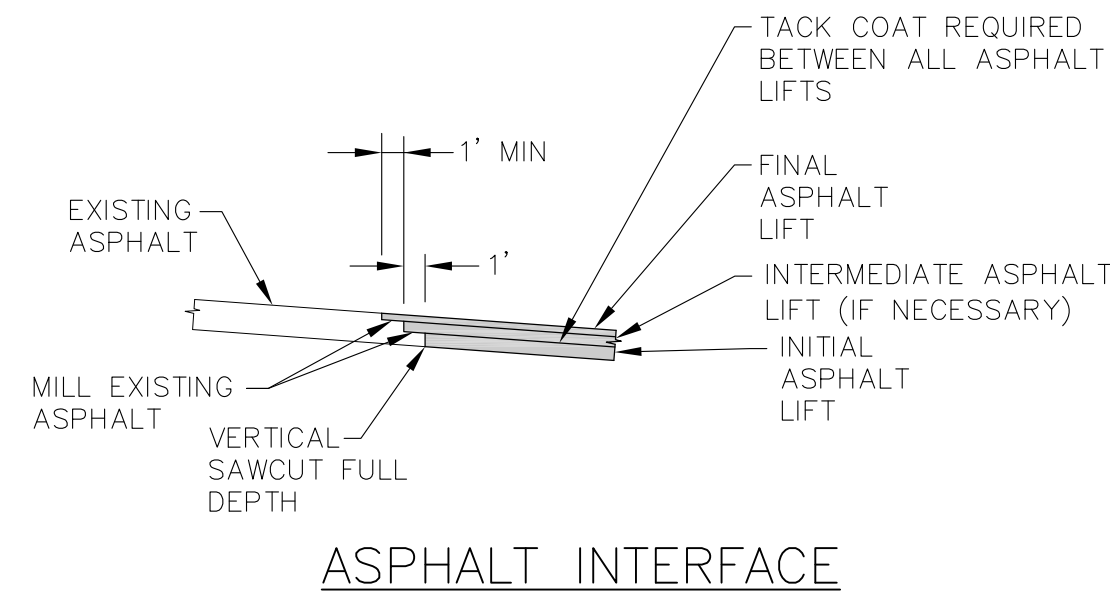
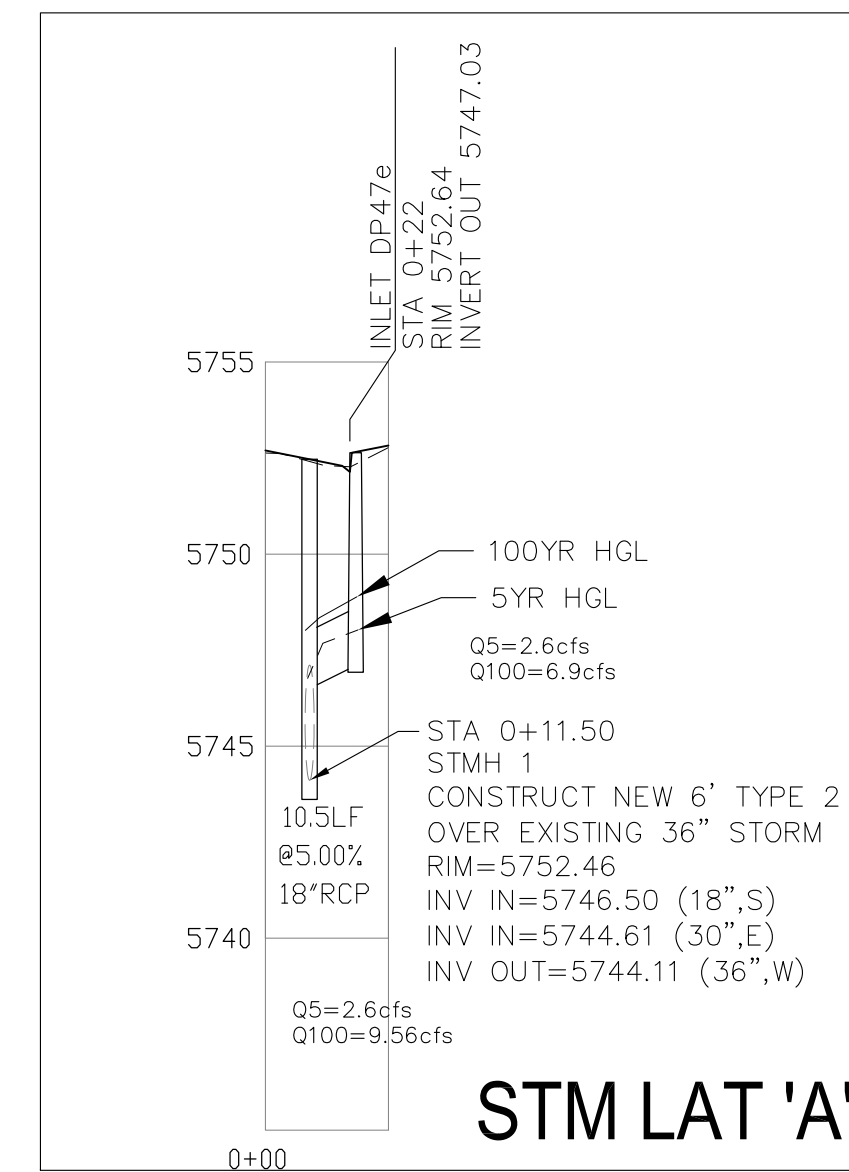
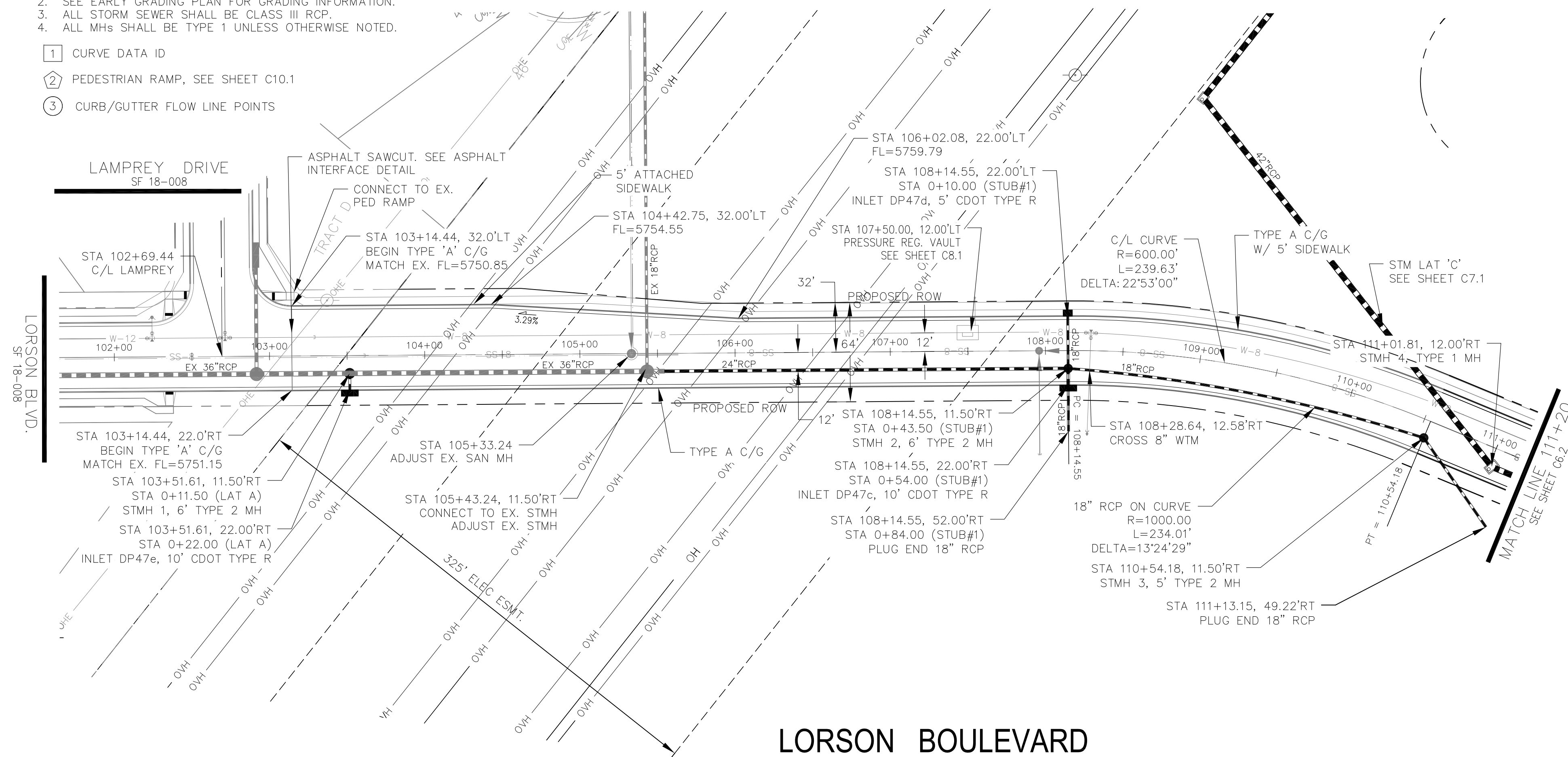
DRAWN: RLS
 DESIGNED: RLS
 CHECKED: RLS

LAMPREY DR
 SIGNING & STRIPING PLAN

DATE: AUGUST 2, 2020
 PROJECT NO. 100.061
 SHEET NUMBER C5.5
 TOTAL SHEETS: 58

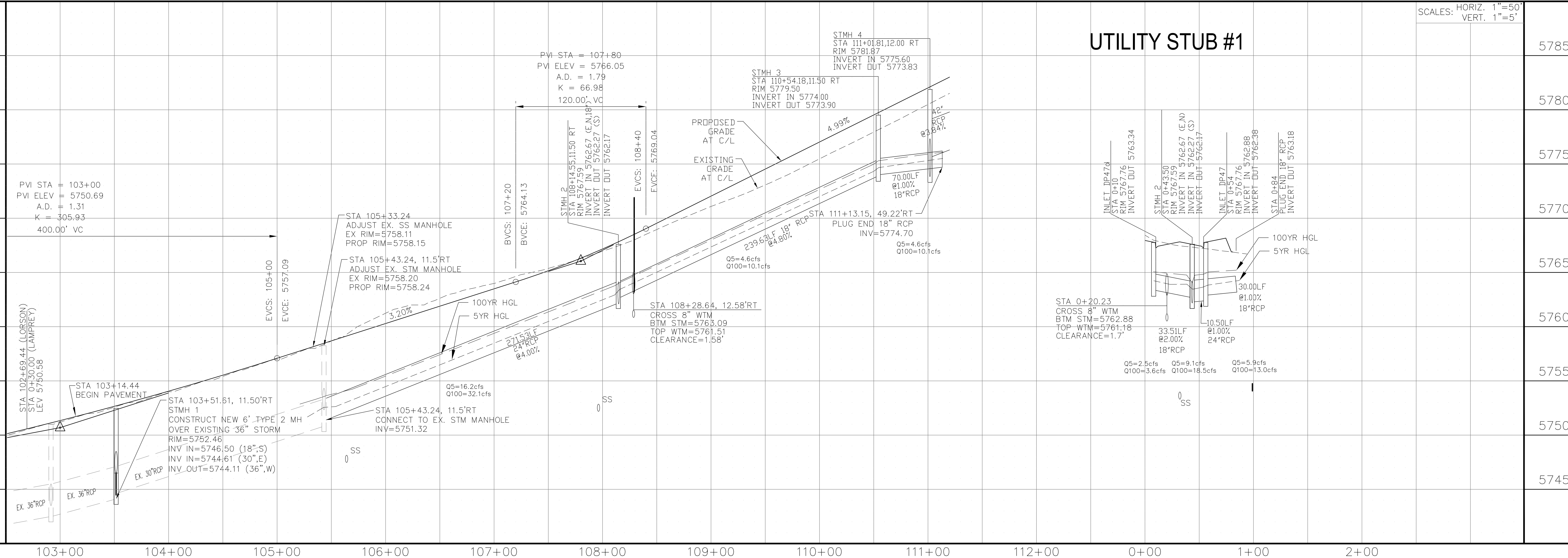
- NOTES
1. ALL SPOT ELEVATIONS ARE FLOW LINE UNLESS OTHERWISE NOTED.
 2. SEE EARLY GRADING PLAN FOR GRADING INFORMATION.
 3. ALL STORM SEWER SHALL BE CLASS III RCP.
 4. ALL MHS SHALL BE TYPE 1 UNLESS OTHERWISE NOTED.

- ① CURVE DATA ID
- ② PEDESTRIAN RAMP, SEE SHEET C10.1
- ③ CURB/GUTTER FLOW LINE POINTS



LORSON BOULEVARD

UTILITY STUB #1



CORE ENGINEERING GROUP

15004 151ST AVENUE, SUITE 300
PH: 719.570.1100
CONTACT: RICHARD L. SCHINDLER, P.E.
EMAIL: Rich@ceg1.com

DATE: _____

DESCRIPTION: _____

NO: _____

PROJECT FOR: **THE HILLS COLLECTOR STREET CONSTRUCTION**
LORSON, LLC
212 N. WAHSATCH AVE, SUITE 301
COLORADO SPRINGS, COLORADO 80903
LORSON BLVD - WALLEVE DR - LAMPREY DR
COLORADO SPRINGS, COLORADO
(719) 635-3200
CONTACT: JEFF MARK

DRAWN: RLS
DESIGNED: RLS
CHECKED: RLS

STREET & STORM SEWER PLAN/PROFILE

LORSON BOULEVARD

STA 103+00 TO STA 111+20

DATE: AUG 2, 2020

PROJECT NO. 100.061

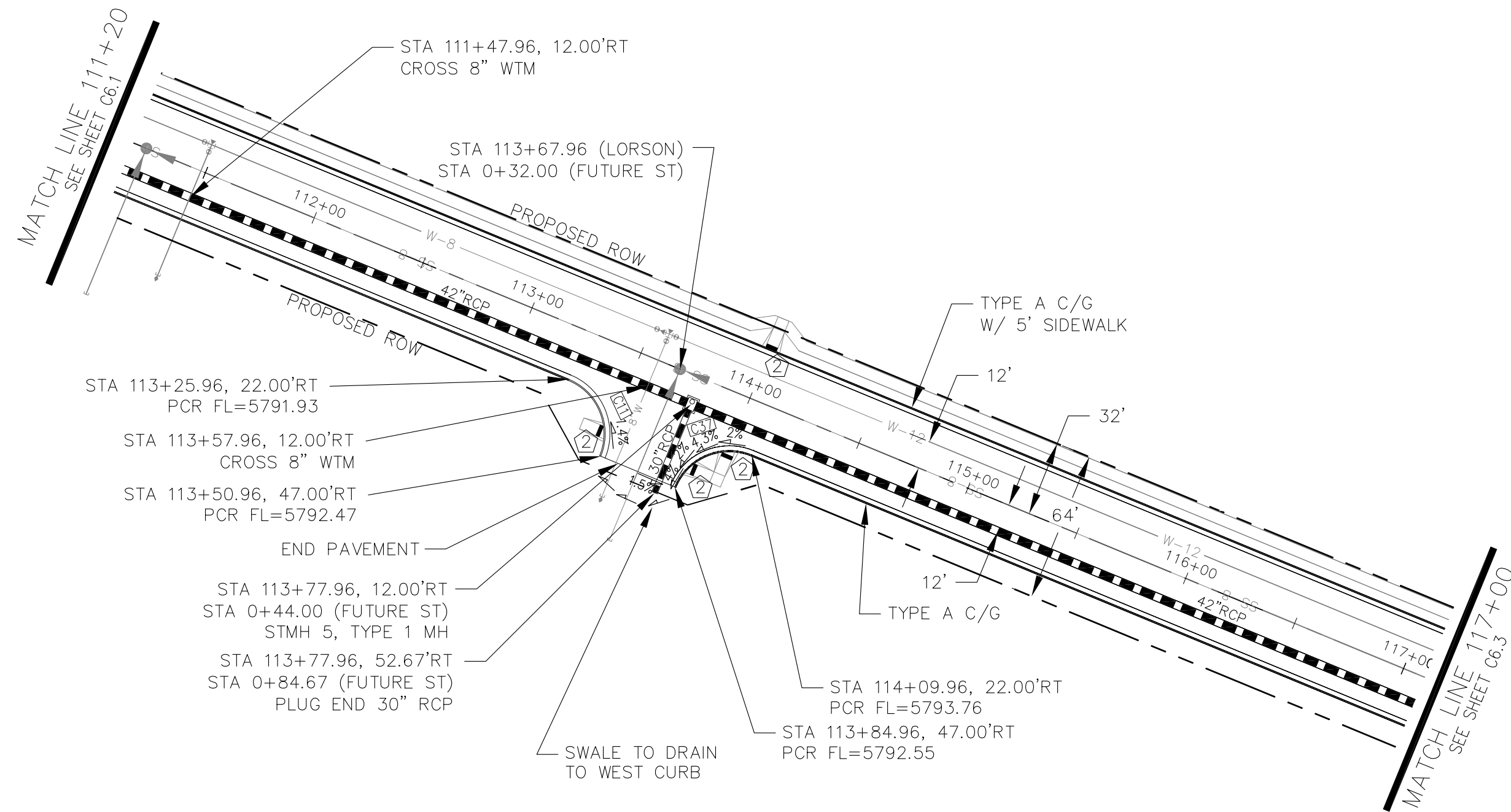
SHEET NUMBER C6.1

TOTAL SHEETS: 58

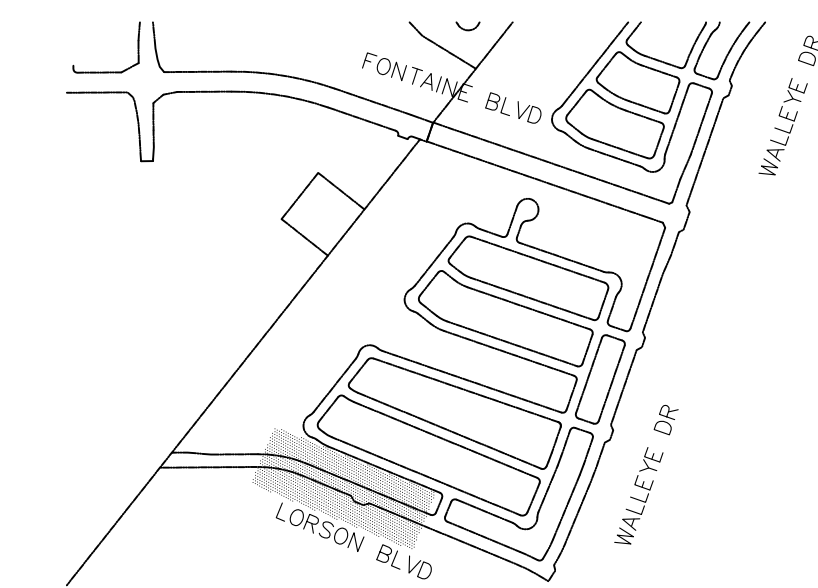
- NOTES
1. ALL SPOT ELEVATIONS ARE FLOW LINE UNLESS OTHERWISE NOTED.
 2. SEE EARLY GRADING PLAN FOR GRADING INFORMATION.
 3. ALL STORM SEWER SHALL BE CLASS III RCP.
 4. ALL MHS SHALL BE TYPE 1 UNLESS OTHERWISE NOTED.

- ① CURVE DATA ID
- ② PEDESTRIAN RAMP, SEE SHEET C10.1
- ③ CURB/GUTTER FLOW LINE POINTS

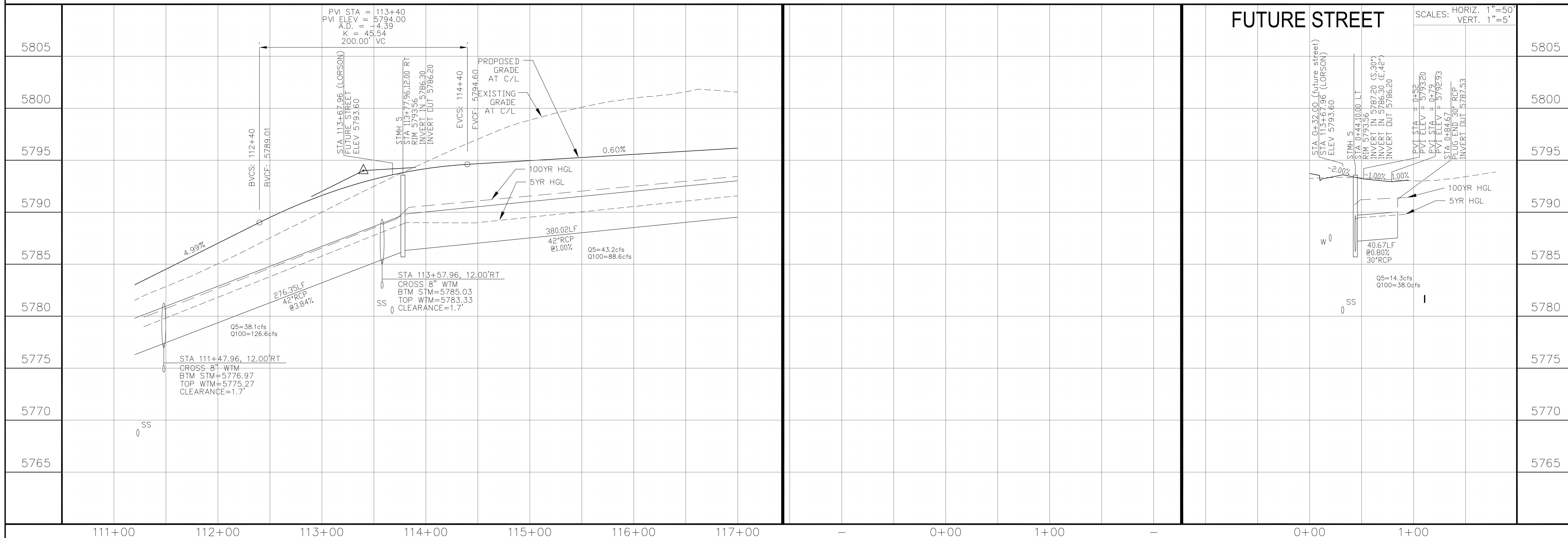
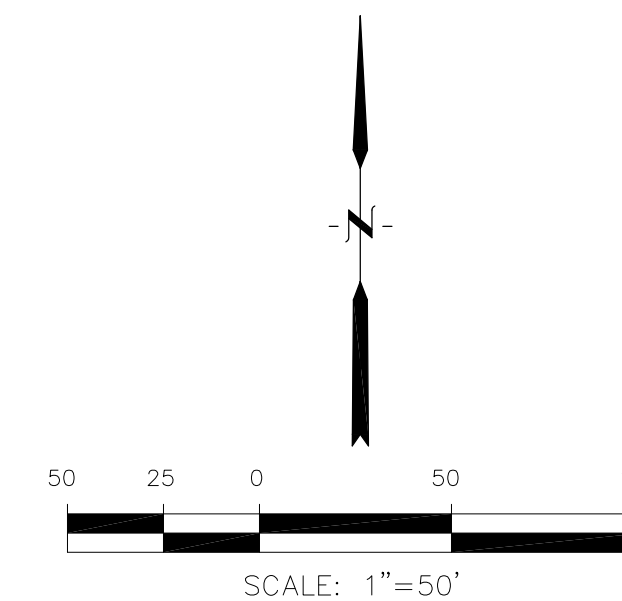
CURVE TABLE			
CURVE	LENGTH	RADIUS	DELTA
C11	39.27'	25.00	90°00'00"
C37	39.27'	25.00	90°00'00"



LORSON BOULEVARD



KEY MAP



CORE ENGINEERING GROUP
 15004 151ST AVENUE, SUITE 300
 COLORADO SPRINGS, CO 80903
 PHONE: (719) 570-1100
 CONTACT: RICHARD L. SCHINDLER, P.E.
 EMAIL: Rich@ceg1.com

DATE: _____
 DESCRIPTION: _____
 NO: _____
 DRAWN: RLS
 DESIGNED: RLS
 CHECKED: RLS

PROJECT FOR:
LORSON, LLC
 212 N. WAHSATCH AVE, SUITE 301
 COLORADO SPRINGS, COLORADO 80903
 (719) 635-3200
 CONTACT: JEFF MARK

PROJECT:
THE HILLS COLLECTOR STREET CONSTRUCTION
 FONTAINE BLVD - GRAYLING DR
 LORSON BLVD - WALLEYE DR - LAMPREY DR
 COLORADO SPRINGS, COLORADO

DATE:
 AUG 2, 2020

PROJECT NO.
 100.061

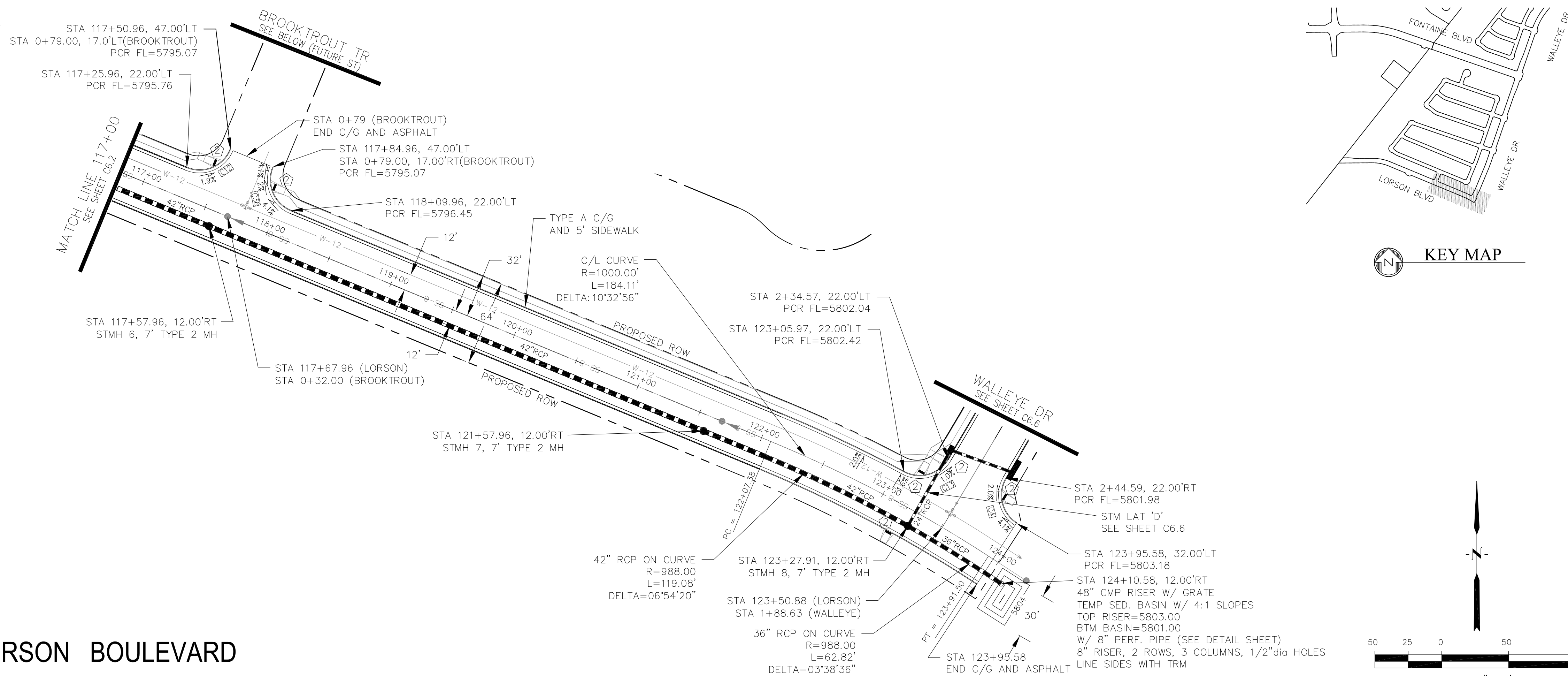
SHEET NUMBER
C6.2

TOTAL SHEETS: 58

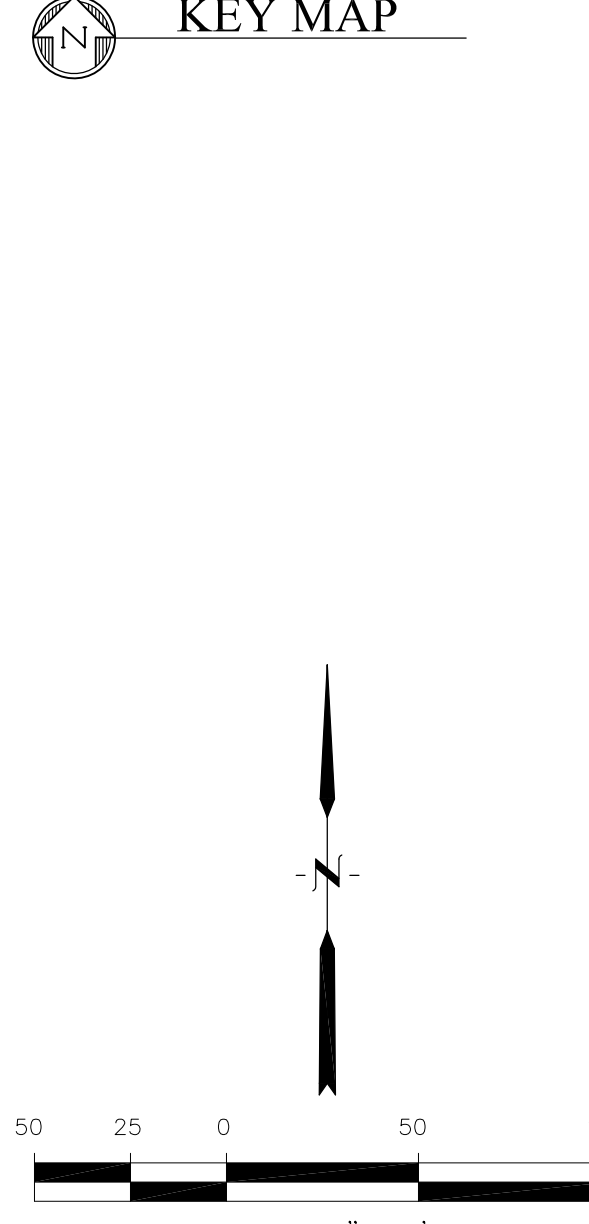
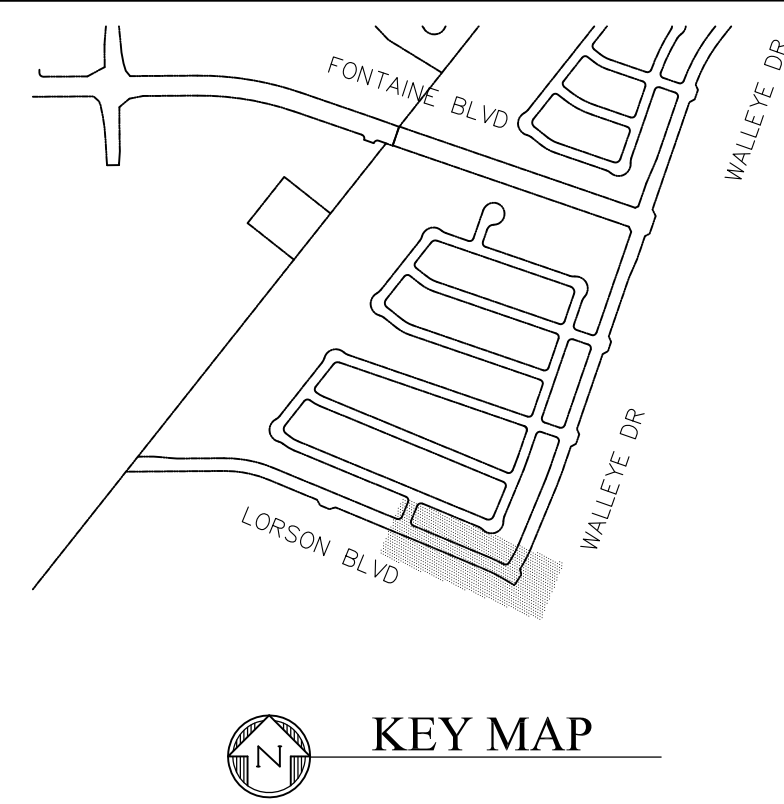
- NOTES
1. ALL SPOT ELEVATIONS ARE FLOW LINE UNLESS OTHERWISE NOTED.
 2. SEE EARLY GRADING PLAN FOR GRADING INFORMATION.
 3. ALL STORM SEWER SHALL BE CLASS III RCP.
 4. ALL MHS SHALL BE TYPE 1 UNLESS OTHERWISE NOTED.

- ① CURVE DATA ID
- ② PEDESTRIAN RAMP, SEE SHEET C10.1
- ③ CURB/GUTTER FLOW LINE POINTS

CURVE TABLE			
CURVE	LENGTH	RADIUS	DELTA
C4	38.25'	25.00'	87°40'22"
C12	39.27'	25.00'	90°00'00"
C13	38.15'	25.00'	87°25'38"
C36	39.27'	25.00'	90°00'00"



LORSON BOULEVARD



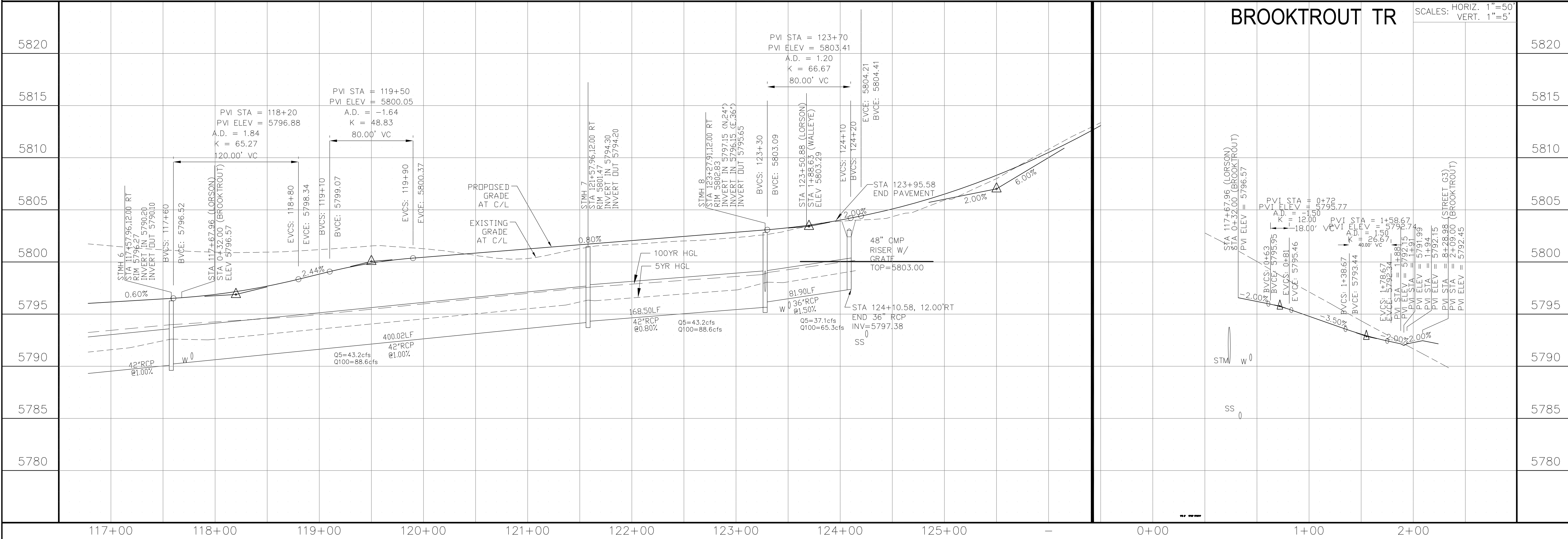
CORE ENGINEERING GROUP
 15004 151ST AVENUE, SUITE 300
 COLORADO SPRINGS, CO 80903
 PHONE: 719.570.1100
 CONTACT: RICHARD L. SCHINDLER, P.E.
 EMAIL: Rich@cegi.com

PREPARED FOR:
LORSON, LLC
 212 N. WAHSATCH AVE, SUITE 301
 COLORADO SPRINGS, COLORADO 80903
 (719) 635-3200
 CONTACT: JEFF MARK

PROJECT:
THE HILLS COLLECTOR STREET CONSTRUCTION
 FONTAINE BLVD - GRAYLING DR
 LORSON BLVD - WALLEYE DR - LAMPREY DR
 COLORADO SPRINGS, COLORADO

NO. _____ DATE _____ DESCRIPTION _____

DRAWN: RLS
 DESIGNED: RLS
 CHECKED: RLS



BROOKTROUT TR

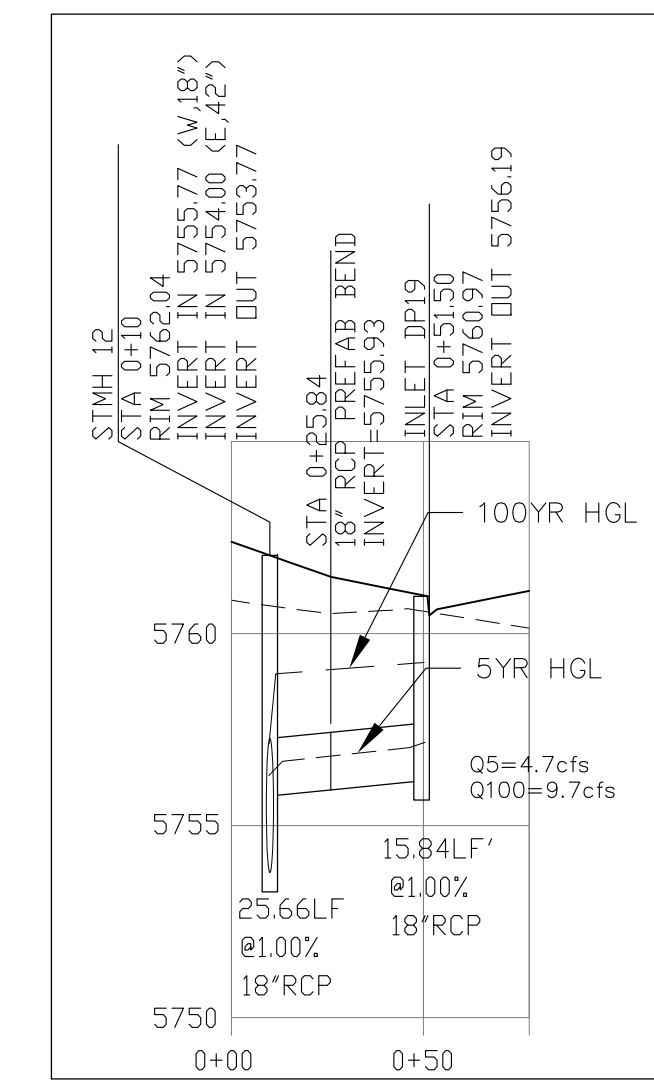
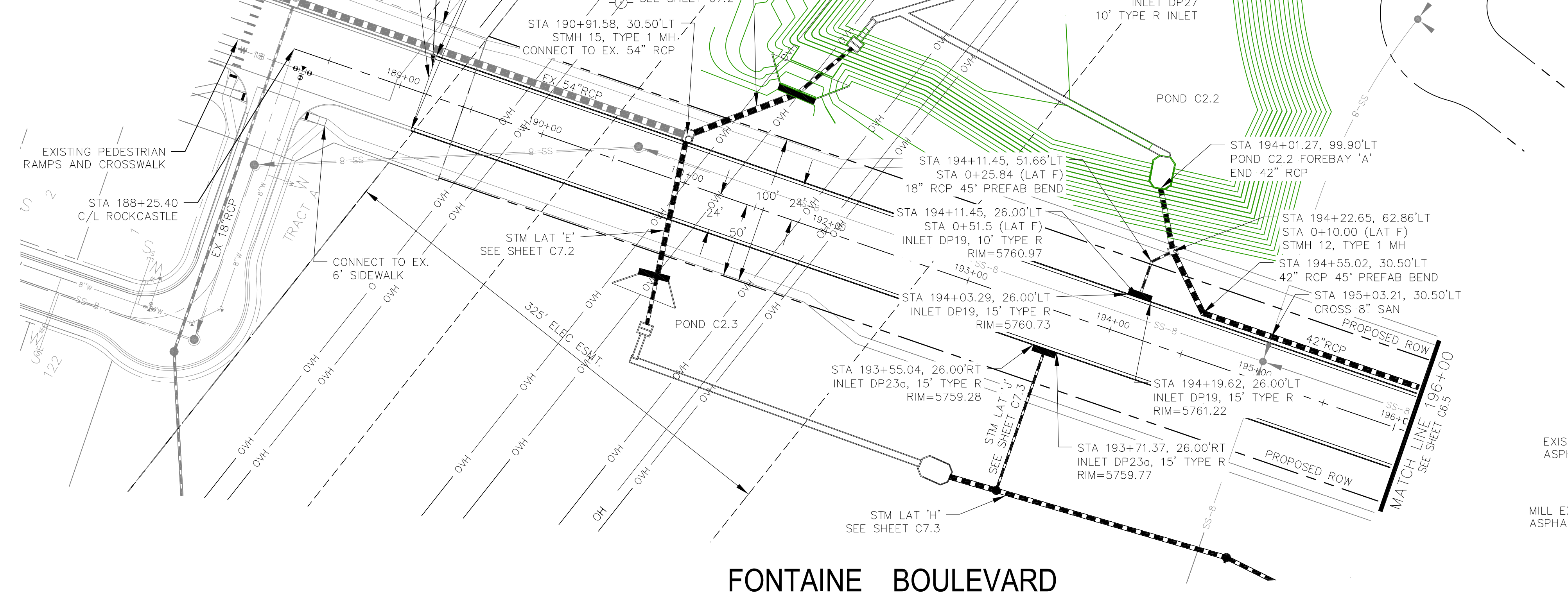
STREET & STORM SEWER PLAN/PROFILE
LORSON BOULEVARD
STA 117+00 TO STA 124+25

DATE: AUG 2, 2020
 PROJECT NO: 100.061
 SHEET NUMBER: C6.3
 TOTAL SHEETS: 58

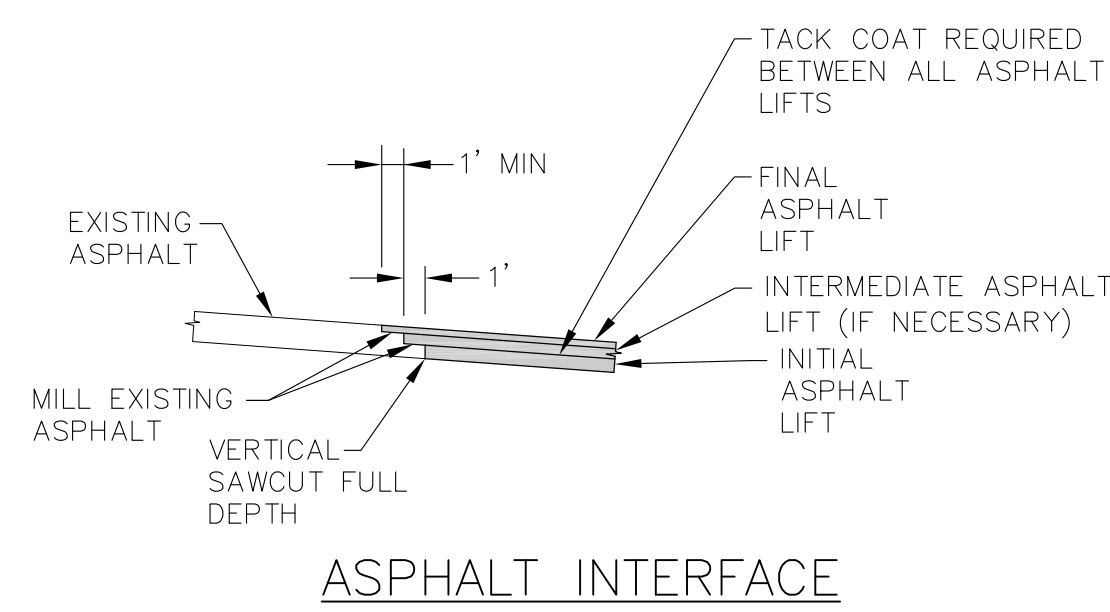
- NOTES**
1. ALL SPOT ELEVATIONS ARE FLOW LINE UNLESS OTHERWISE NOTED.
 2. SEE EARLY GRADING PLAN FOR GRADING INFORMATION.
 3. ALL STORM SEWER SHALL BE CLASS III RCP.
 4. ALL MHS SHALL BE TYPE 1 UNLESS OTHERWISE NOTED.

- 1 CURVE DATA ID
- 2 PEDESTRIAN RAMP, SEE SHEET C10.1
- 3 CURB/GUTTER FLOW LINE POINTS

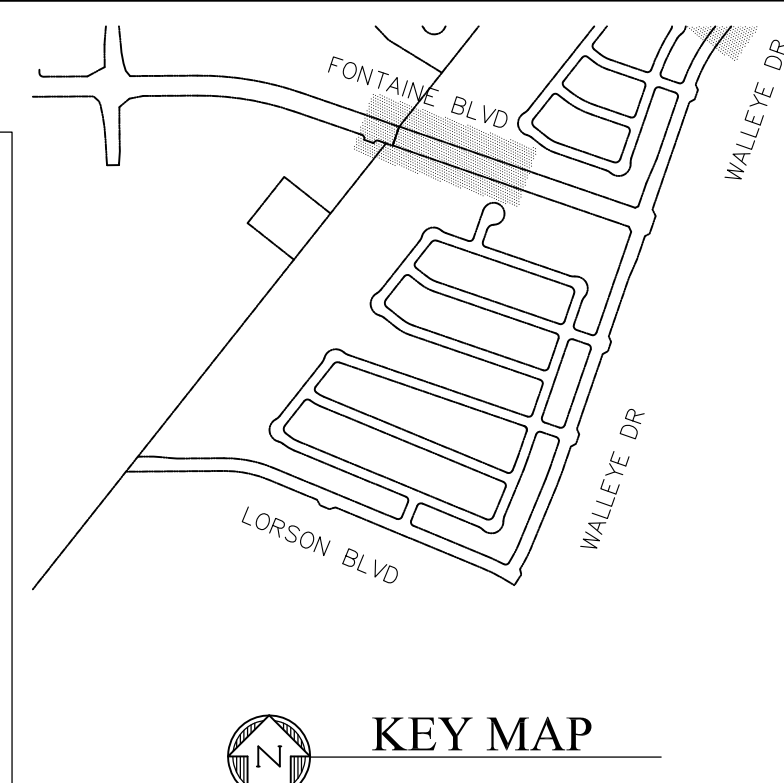
ASPHALT SAWCUT. SEE ASPHALT INTERFACE DETAIL



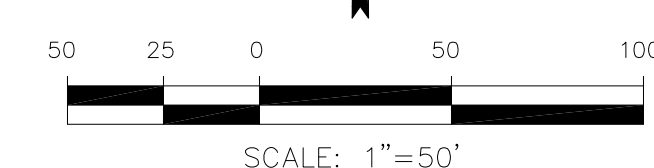
STORM LATERAL 'F'



ASPHALT INTERFACE



KEY MAP

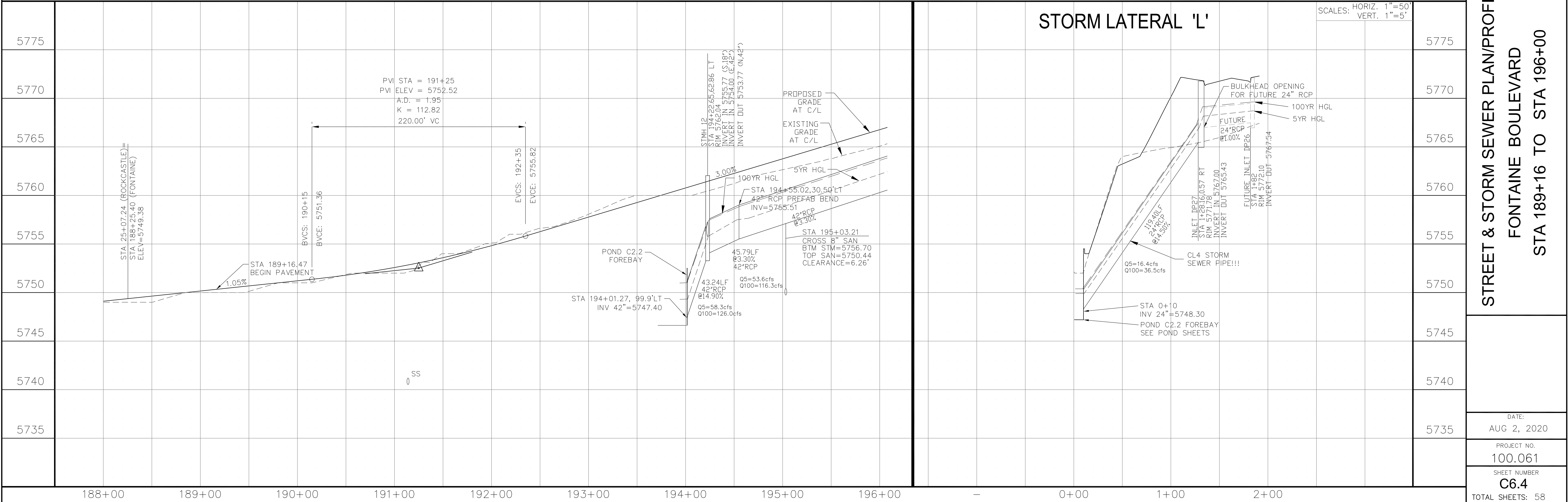


CORE ENGINEERING GROUP
 15004 151ST AVENUE, SUITE 300
 P.O. BOX 719, FORT COCKERMAN, CO 80903
 CONTACT: RICHARD L. SCHINDLER, P.E.
 EMAIL: Rich@cegi.com

DATE: _____
 DESCRIPTION: _____
 NO: _____
 DRAWN: RLS
 DESIGNED: RLS
 CHECKED: RLS

PREPARED FOR:
LORSON, LLC
 212 N. WAHSATCH AVE, SUITE 301
 COLORADO SPRINGS, COLORADO 80903
 (719) 635-3200
 CONTACT: JEFF MARK

PROJECT:
THE HILLS COLLECTOR STREET CONSTRUCTION
 FONTAINE BLVD - GRAYLING DR
 LORSON BLVD - WALLEYE DR - LAMPREY DR
 COLORADO SPRINGS, COLORADO



STORM LATERAL 'L'

SCALES: HORIZ. 1"=50'
 VERT. 1"=5'

STREET & STORM SEWER PLAN/PROFILE
FONTAINE BOULEVARD
STA 189+16 TO STA 196+00

DATE:
 AUG 2, 2020

PROJECT NO.
 100.061

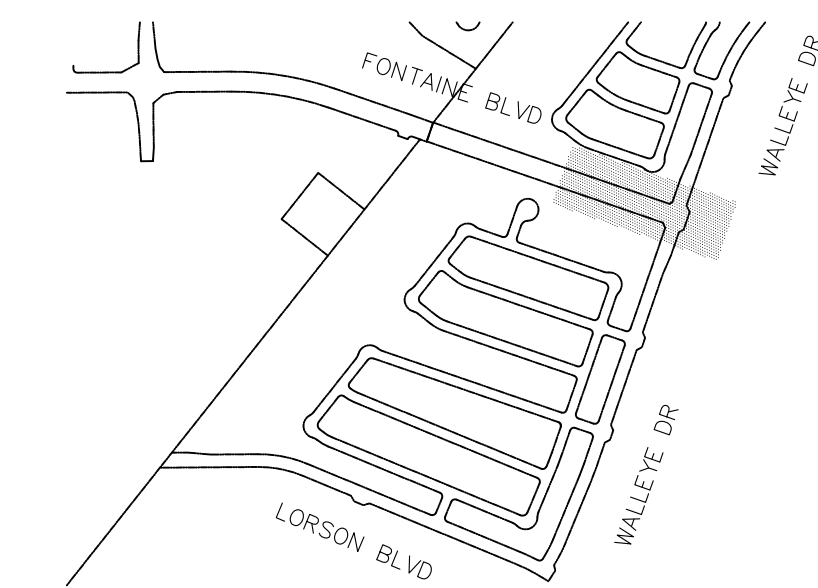
SHEET NUMBER
C6.4

TOTAL SHEETS: 58

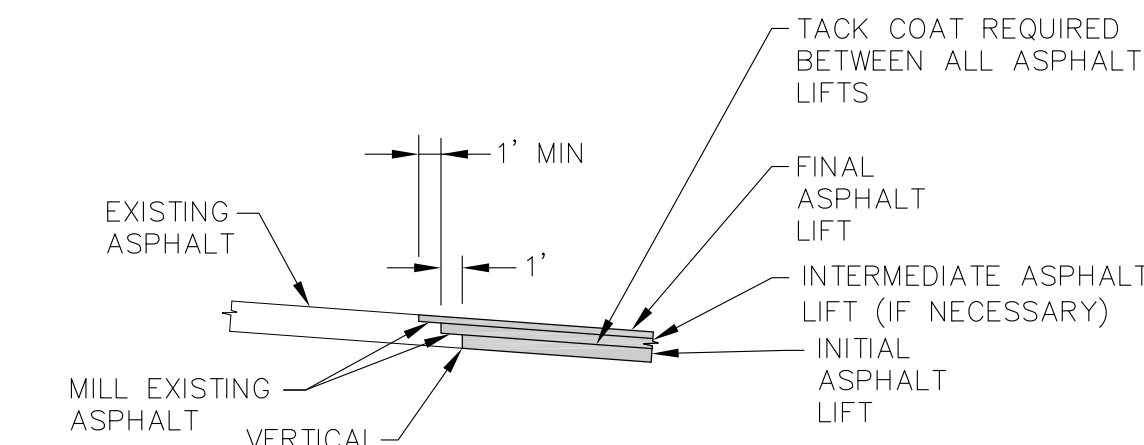
- NOTES**
1. ALL SPOT ELEVATIONS ARE FLOW LINE UNLESS OTHERWISE NOTED.
 2. SEE EARLY GRADING PLAN FOR GRADING INFORMATION.
 3. ALL STORM SEWER SHALL BE CLASS III RCP.
 4. ALL MHS SHALL BE TYPE 1 UNLESS OTHERWISE NOTED.

- ① CURVE DATA ID
- ② PEDESTRIAN RAMP, SEE SHEET C10.1
- ③ CURB/GUTTER FLOW LINE POINTS

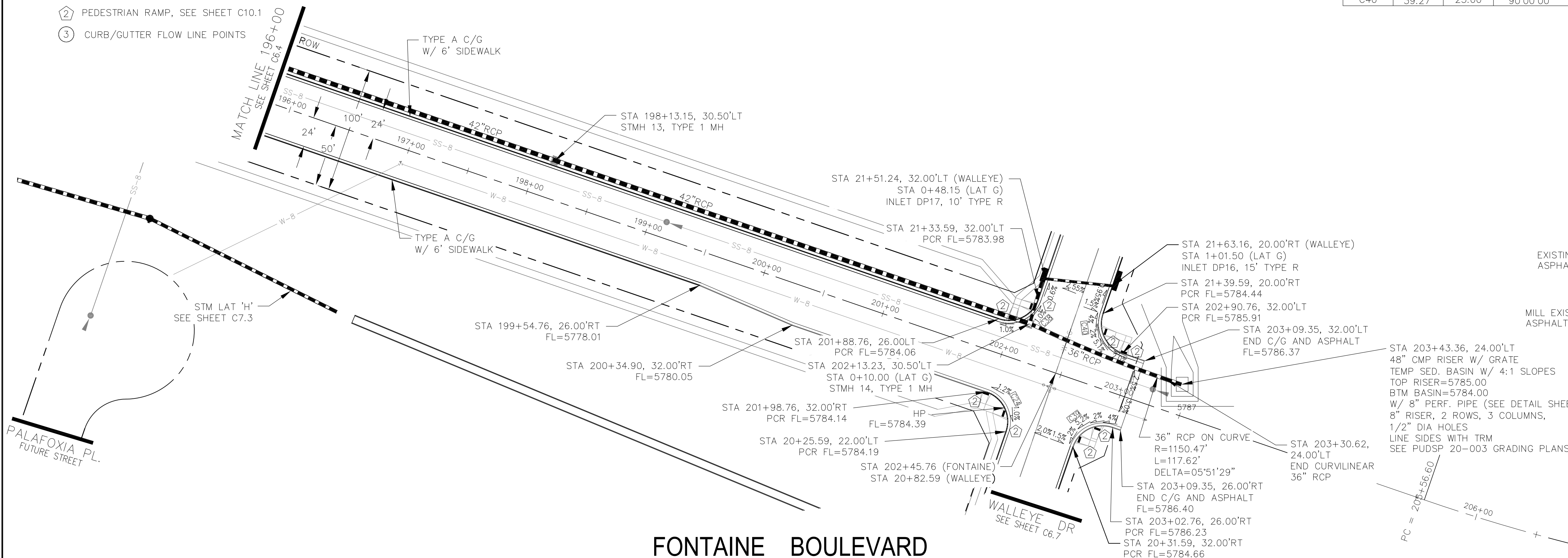
CURVE TABLE			
CURVE	LENGTH	RADIUS	DELTA
C24	39.27'	25.00'	90°00'00"
C38	39.27'	25.00'	90°00'00"
C39	39.27'	25.00'	90°00'00"
C40	39.27'	25.00'	90°00'00"



KEY MAP



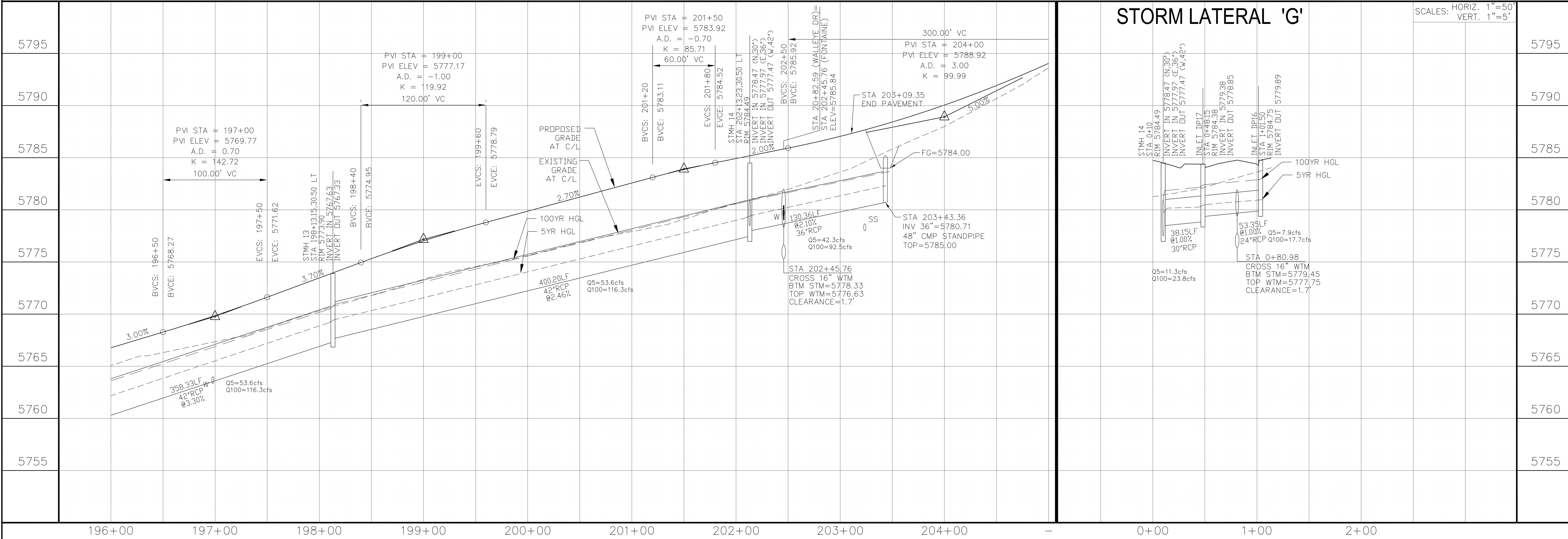
ASPHALT INTERFACE



FONTAINE BOULEVARD

STORM LATERAL 'G'

SCALES: HORIZ. 1"=50'
VERT. 1"=5'



CORE ENGINEERING GROUP
15004 151ST AVENUE, SUITE 300
DENVER, CO 80232
PHONE: 719.570.1100
CONTACT: RICHARD L. SCHINDLER, P.E.
EMAIL: Rich@cegi.com

DATE: _____
DESCRIPTION: _____
NO: _____
DRAWN: RLS
DESIGNED: RLS
CHECKED: RLS

PREPARED FOR:
LORSON, LLC
212 N. WAHSATCH AVE, SUITE 301
COLORADO SPRINGS, COLORADO 80903
(719) 635-3200
CONTACT: JEFF MARK

PROJECT:
THE HILLS COLLECTOR STREET CONSTRUCTION
FONTAINE BLVD - GRAYLING DR
LORSON BLVD - WALLEYE DR - LAMPREY DR
COLORADO SPRINGS, COLORADO

STREET & STORM SEWER PLAN/PROFILE
FONTAINE BOULEVARD
STA 196+00 TO STA 203+25

DATE:
AUG 2, 2020

PROJECT NO.
100.061

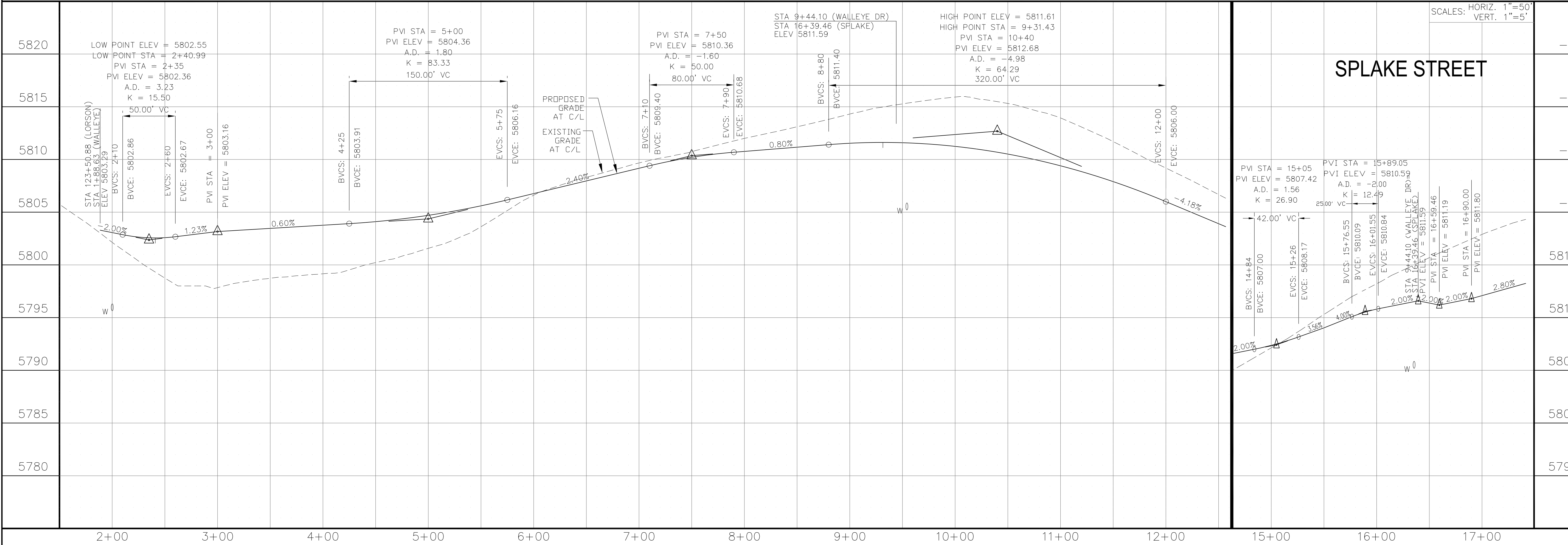
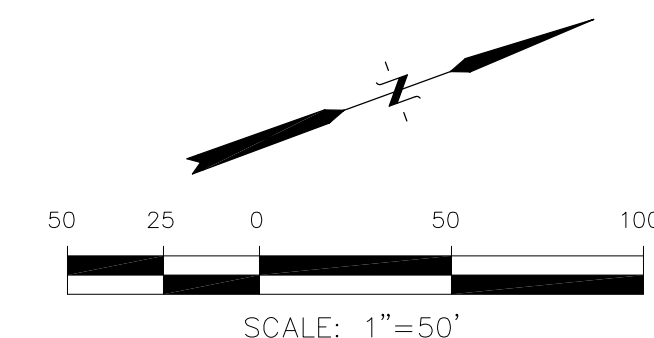
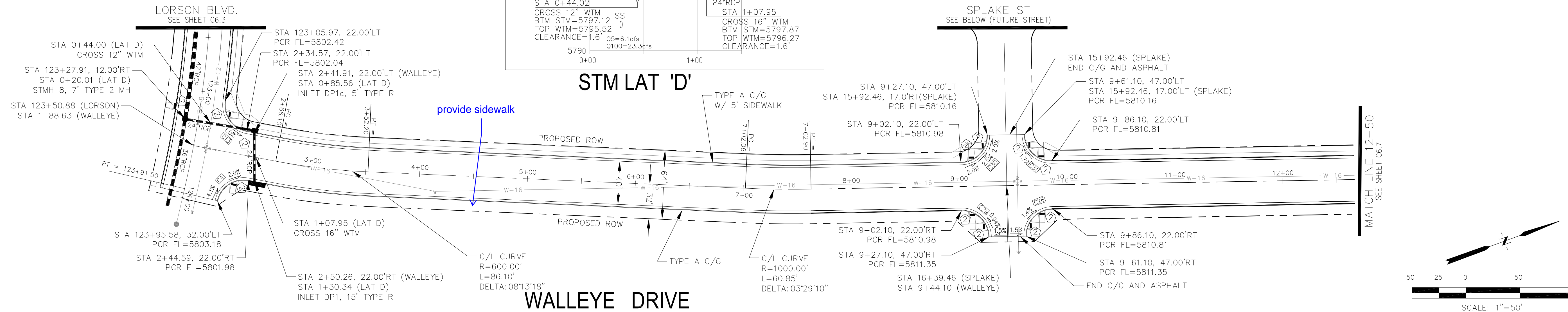
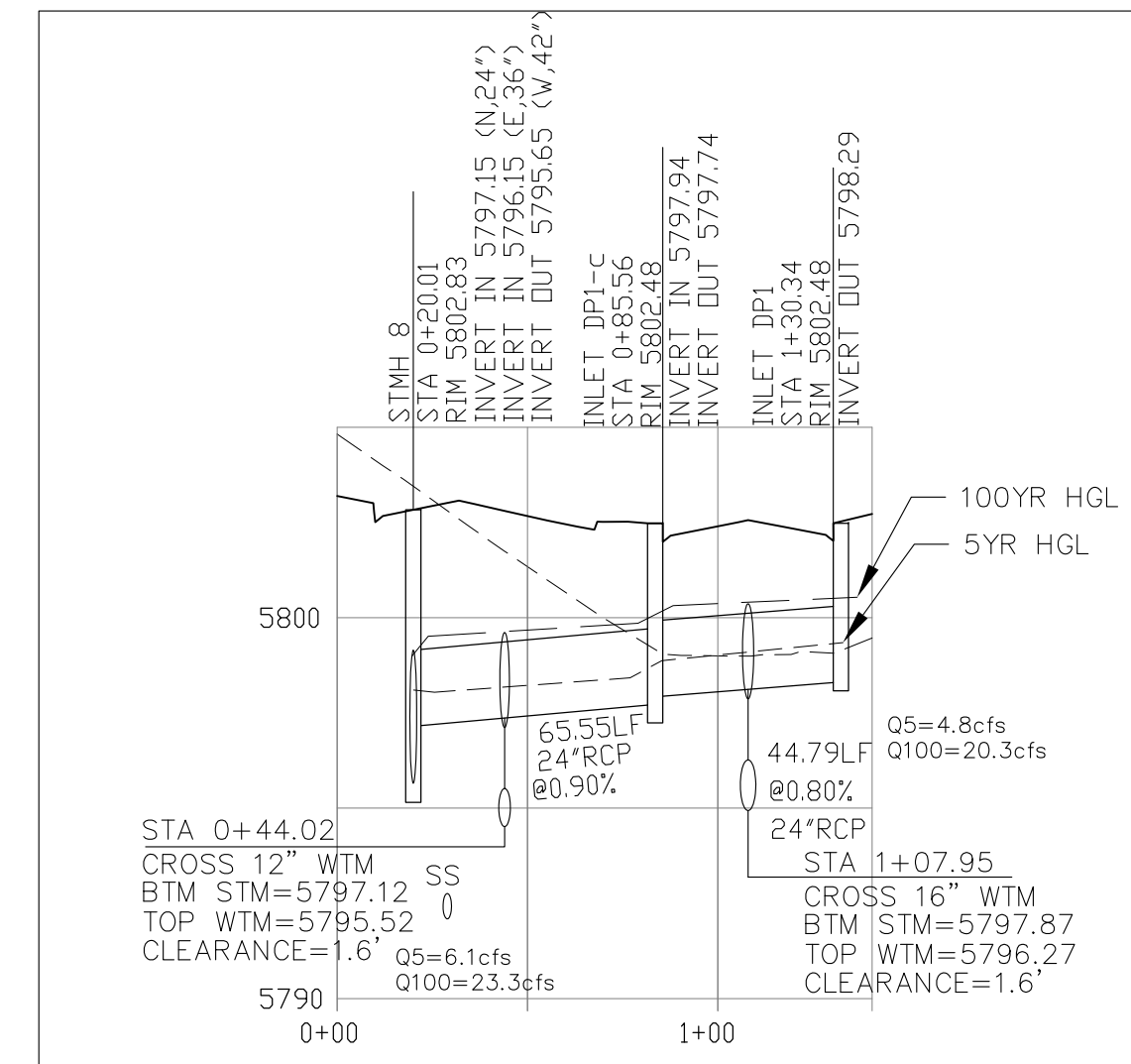
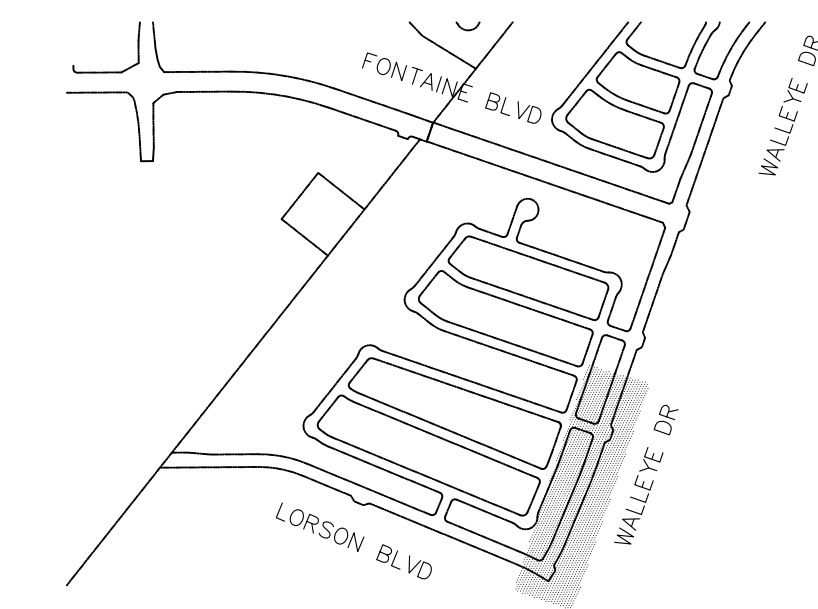
SHEET NUMBER
C6.5

TOTAL SHEETS: 58

- NOTES
1. ALL SPOT ELEVATIONS ARE FLOW LINE UNLESS OTHERWISE NOTED.
 2. SEE EARLY GRADING PLAN FOR GRADING INFORMATION.
 3. ALL STORM SEWER SHALL BE CLASS III RCP.
 4. ALL MHS SHALL BE TYPE 1 UNLESS OTHERWISE NOTED.

- ① CURVE DATA ID
- ② PEDESTRIAN RAMP, SEE SHEET C10.1
- ③ CURB/GUTTER FLOW LINE POINTS

CURVE TABLE			
CURVE	LENGTH	RADIUS	DELTA
C4	38.25'	25.00	87°40'22"
C13	38.15'	25.00	87°25'38"
C28	39.27'	25.00	90°00'00"
C29	39.27'	25.00	90°00'00"
C30	39.27'	25.00	90°00'00"
C31	39.27'	25.00	90°00'00"



CORE ENGINEERING GROUP
 15004 151st AVENUE S.
 FORT COLLINS, CO 80506
 PH: 970.570.1100
 CONTACT: RICHARD L. SCHINDLER, P.E.
 EMAIL: Rich@ceg1.com

DATE: _____
 DESCRIPTION: _____
 NO: _____
 PREPARED FOR: **LORSON, LLC**
 212 N. WAHSATCH AVE, SUITE 301
 COLORADO SPRINGS, COLORADO 80903
 PROJECT: **THE HILLS COLLECTOR STREET CONSTRUCTION**
 FONTAINE BLVD - GRAYLING DR
 LORSON BLVD - WALLEYE DR - LAMPREY DR
 COLORADO SPRINGS, COLORADO
 CONTACT: JEFF MARK

DRAWN: RLS
 DESIGNED: RLS
 CHECKED: RLS

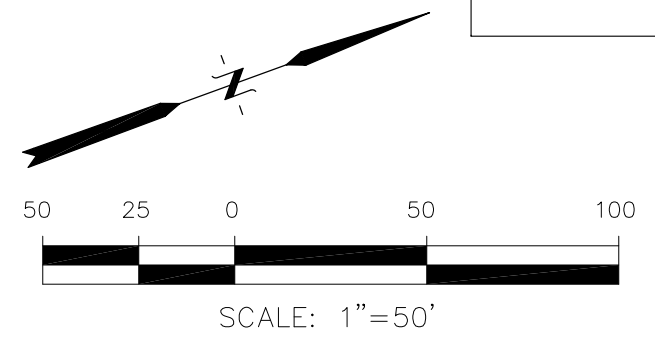
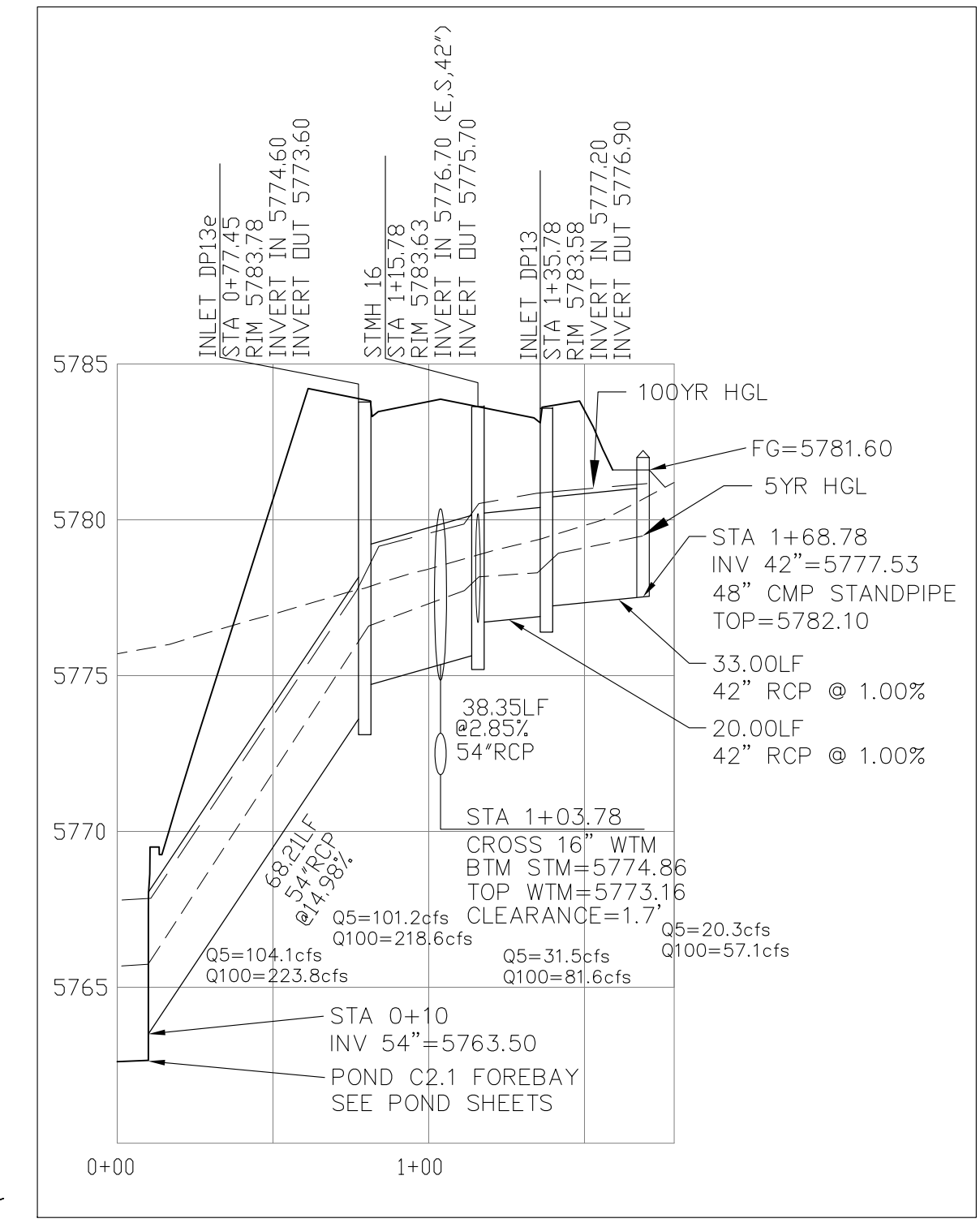
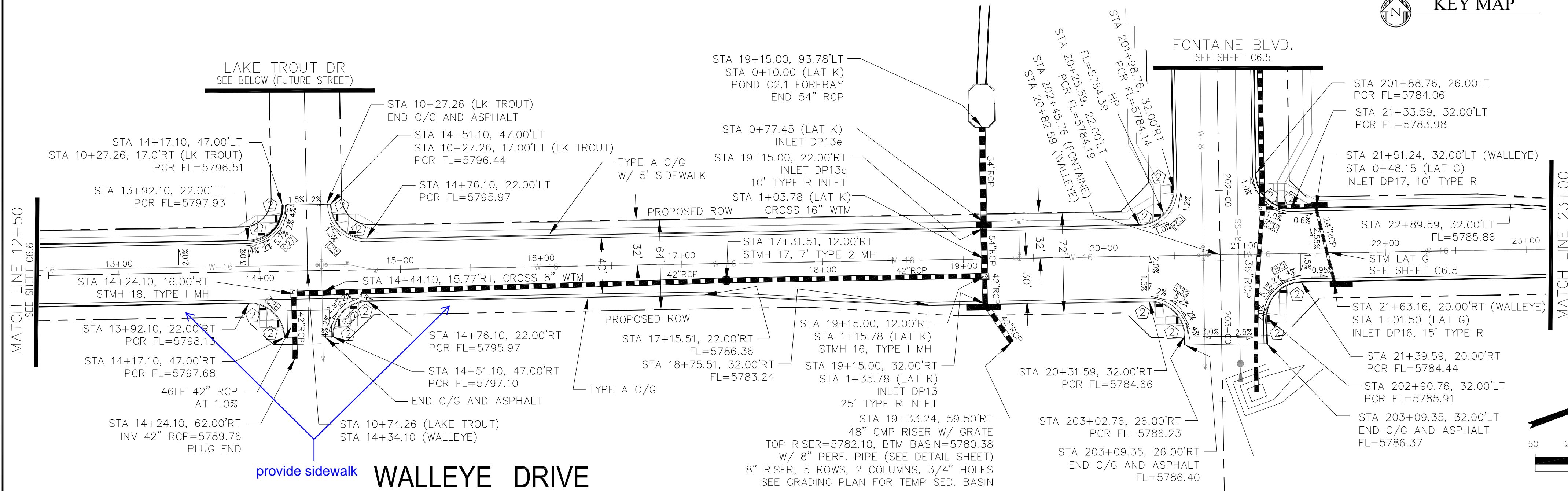
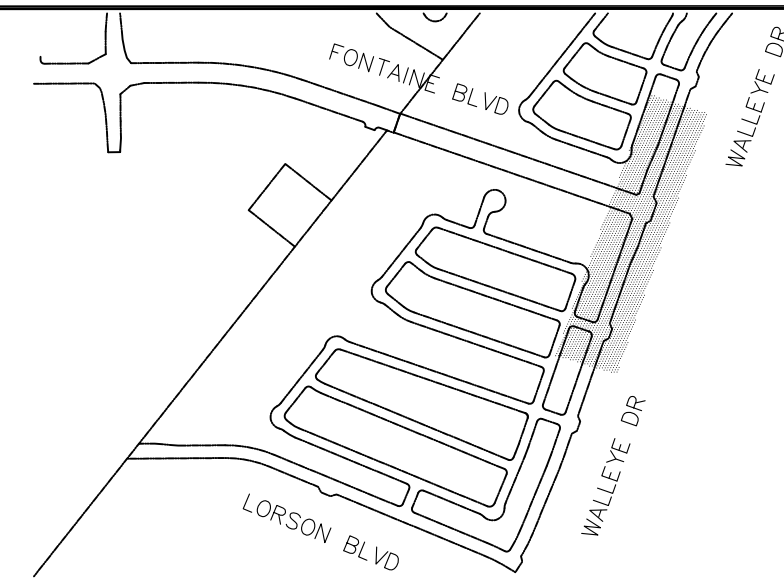
STREET & STORM SEWER PLAN/PROFILE
WALLEYE DR & SPLAKE ST
STA 2+00 TO STA 12+50

DATE: AUG 2, 2020
 PROJECT NO. 100.061
 SHEET NUMBER **C6.6**
 TOTAL SHEETS: 58

- NOTES
1. ALL SPOT ELEVATIONS ARE FLOW LINE UNLESS OTHERWISE NOTED.
 2. SEE EARLY GRADING PLAN FOR GRADING INFORMATION.
 3. ALL STORM SEWER SHALL BE CLASS III RCP.
 4. ALL MHS SHALL BE TYPE 1 UNLESS OTHERWISE NOTED.

- 1 CURVE DATA ID
- 2 PEDESTRIAN RAMP, SEE SHEET C10.1
- 3 CURB/GUTTER FLOW LINE POINTS

CURVE TABLE			
CURVE	LENGTH	RADIUS	DELTA
C22	39.27'	25.00	90°00'00"
C24	39.27'	25.00	90°00'00"
C25	39.27'	25.00	90°00'00"
C26	39.27'	25.00	90°00'00"
C27	39.27'	25.00	90°00'00"
C38	39.27'	25.00	90°00'00"
C39	39.27'	25.00	90°00'00"
C40	39.27'	25.00	90°00'00"



CORE ENGINEERING GROUP
 15004 151st Avenue S.E.
 P.O. Box 719 5701100
 CONTACT: RICHARD L. SCHINDLER, P.E.
 EMAIL: Rich@ceg1.com

DATE: _____

DESCRIPTION: _____

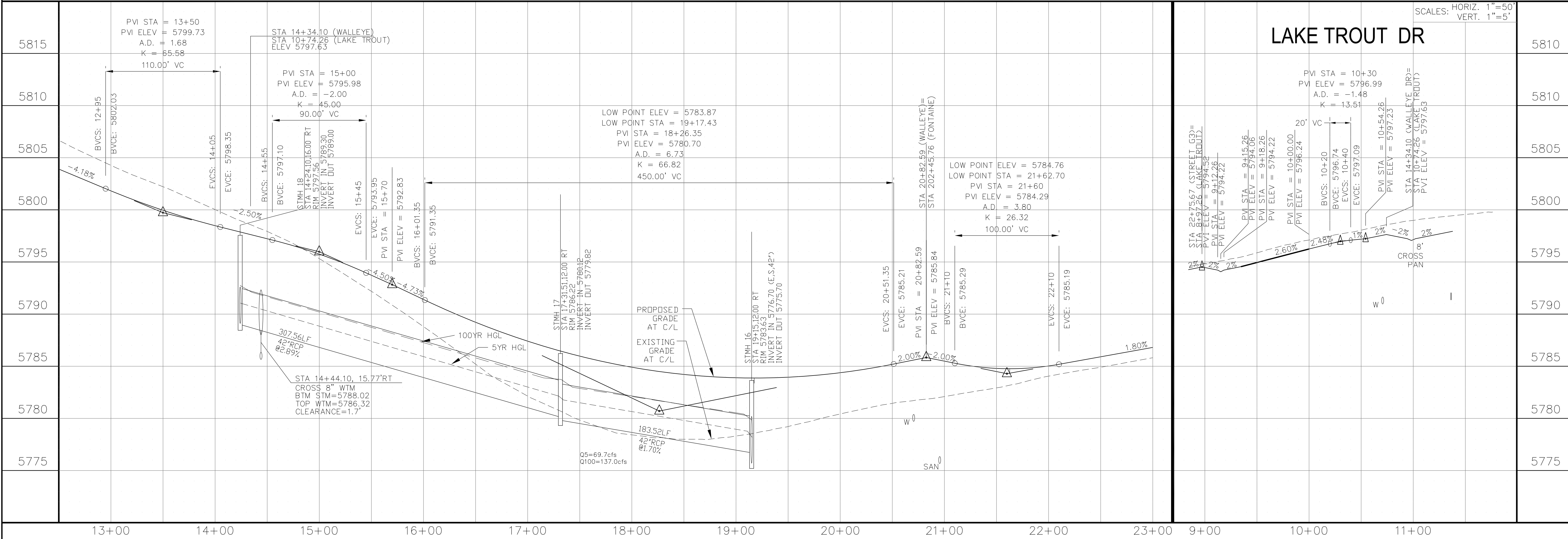
NO: _____

PREPARED FOR: **LORSON, LLC**
 212 N. WAHATCH AVE, SUITE 301
 COLORADO SPRINGS, COLORADO 80903

PROJECT: **THE HILLS COLLECTOR STREET CONSTRUCTION**
 FONTAINE BLVD - GRAYLING DR
 LORSON BLVD - WALLEYE DR - LAMPREY DR
 COLORADO SPRINGS, COLORADO

CONTACT: JEFF MARK

DRAWN: RLS
 DESIGNED: RLS
 CHECKED: RLS



STREET & STORM SEWER PLAN/PROFILE

WALLEYE DR & LAKE TROUT DR

STA 12+50 TO STA 23+00

DATE: AUG 22, 2020

PROJECT NO. 100.061

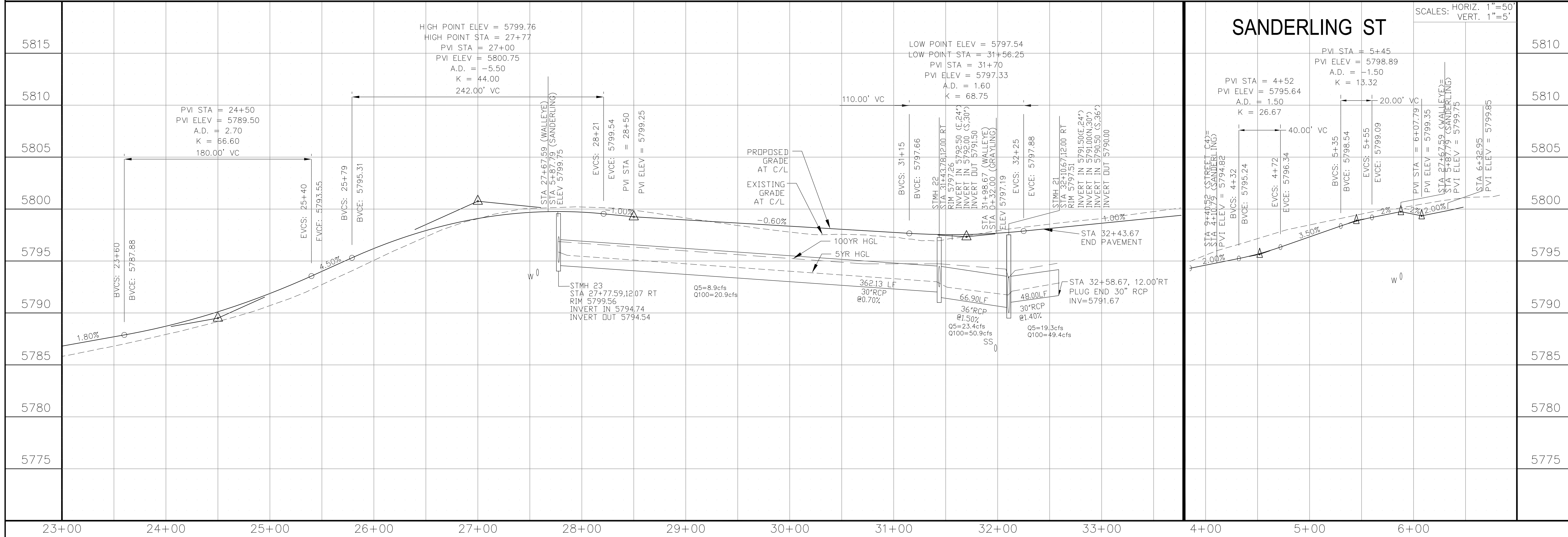
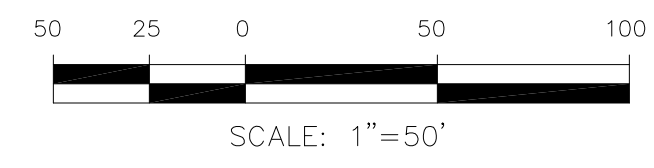
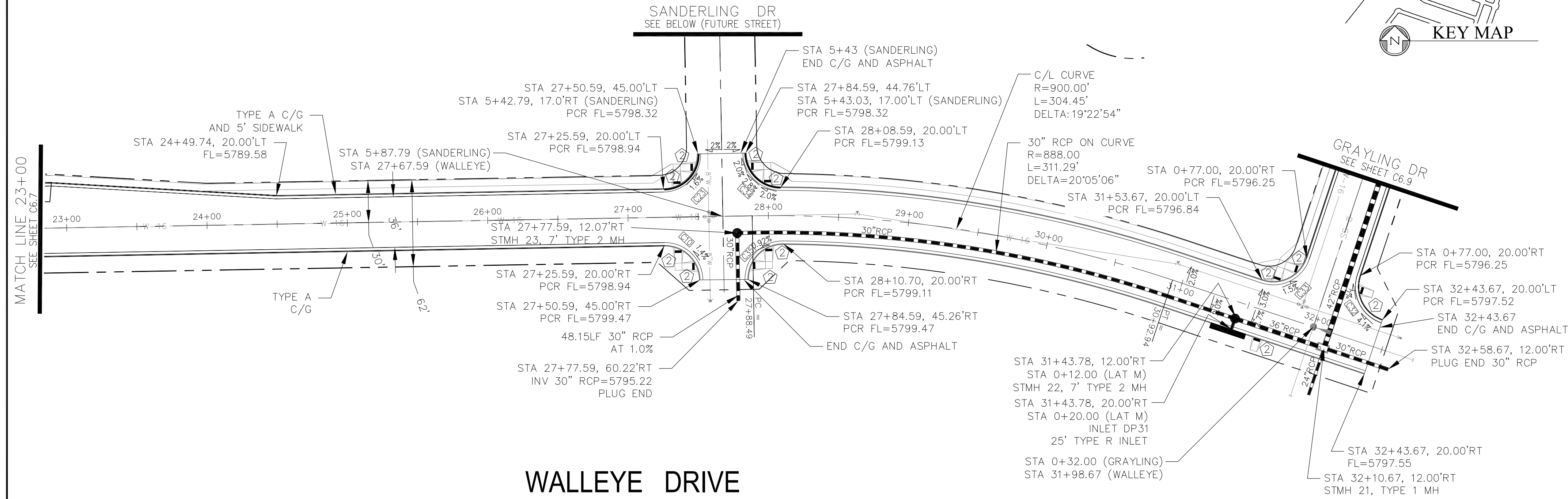
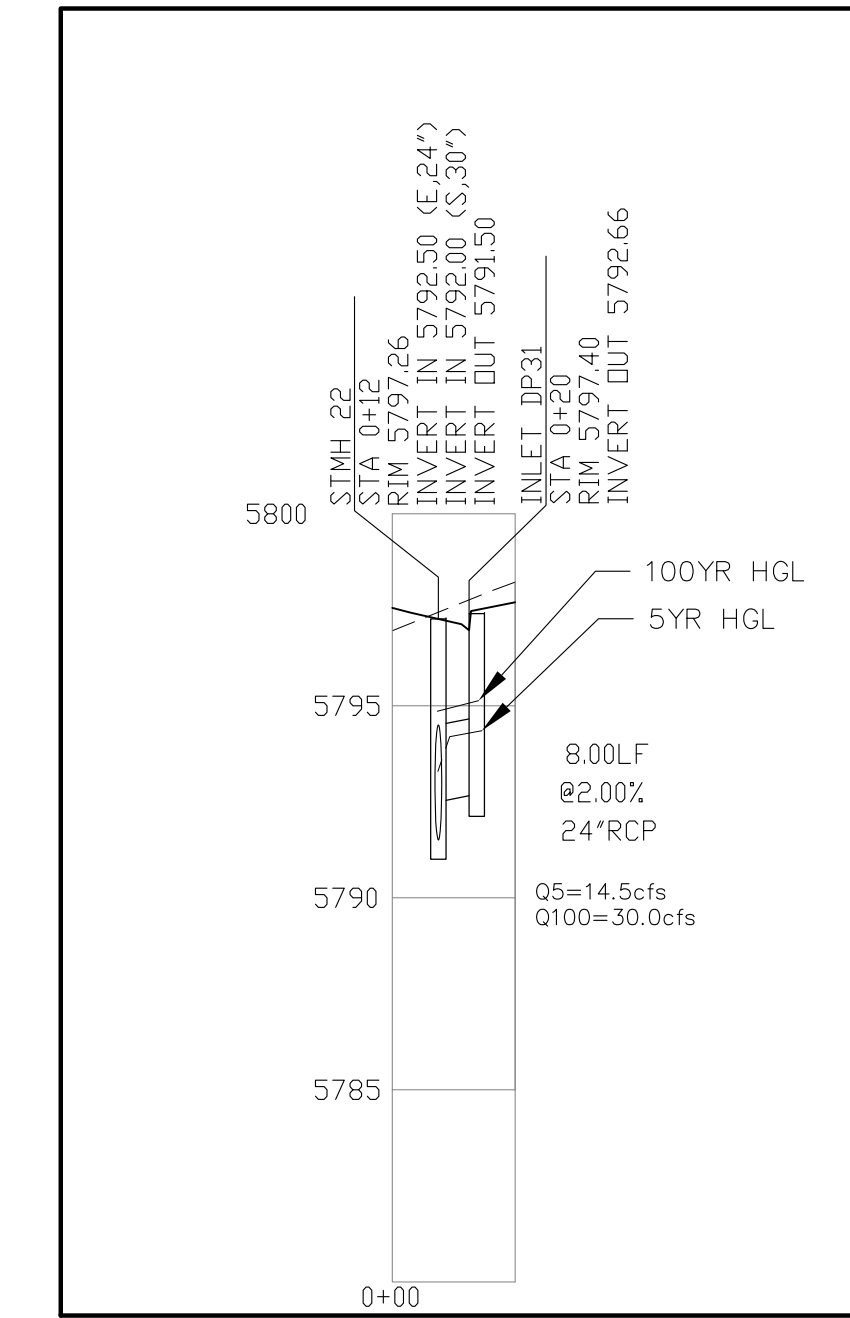
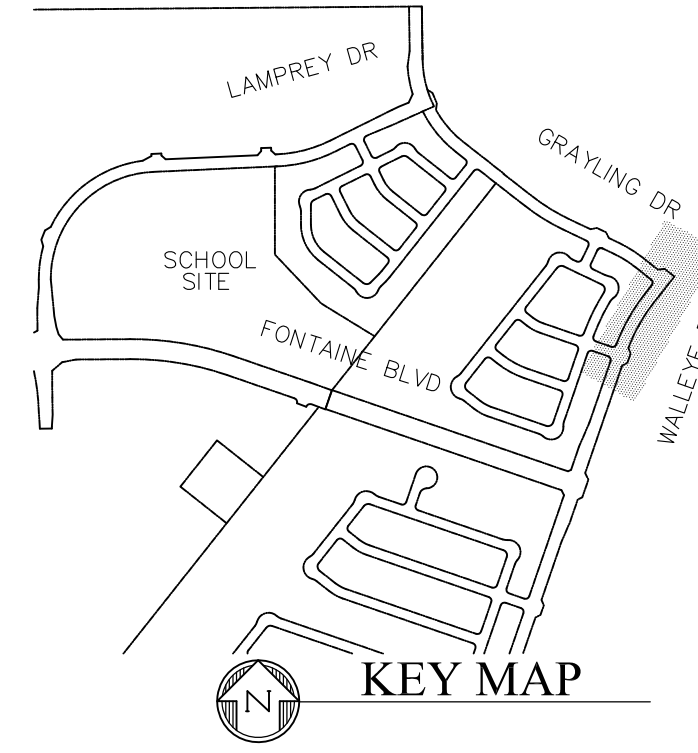
SHEET NUMBER **C6.7**

TOTAL SHEETS: 58

- NOTES
1. ALL SPOT ELEVATIONS ARE FLOW LINE UNLESS OTHERWISE NOTED.
 2. SEE EARLY GRADING PLAN FOR GRADING INFORMATION.
 3. ALL STORM SEWER SHALL BE CLASS III RCP.
 4. ALL MHS SHALL BE TYPE 1 UNLESS OTHERWISE NOTED.

- ① CURVE DATA ID
- ② PEDESTRIAN RAMP, SEE SHEET C10.1
- ③ CURB/GUTTER FLOW LINE POINTS

CURVE TABLE			
CURVE	LENGTH	RADIUS	DELTA
C10	39.27'	25.00	90°00'00"
C23	39.27'	25.00	90°00'00"
C32	39.27'	25.00	90°00'00"
C33	39.27'	25.00	90°00'00"
C34	38.71'	25.00	88°43'15"
C35	39.89'	25.00	91°24'50"



CORE ENGINEERING GROUP
 15004 1ST AVENUE, SUITE 301
 COLORADO SPRINGS, COLORADO 80903
 PHONE: 719.570.1100
 CONTACT: RICHARD L. SCHINDLER, P.E.
 EMAIL: Rich@cegi.com

DATE: _____
 NO. _____
 DESCRIPTION: _____
 PREPARED FOR: **LORSON, LLC**
 212 N. WAHSATCH AVE, SUITE 301
 COLORADO SPRINGS, COLORADO 80903
 PROJECT: **THE HILLS COLLECTOR STREET CONSTRUCTION**
 FONTAINE BLVD - GRAYLING DR
 LORSON BLVD - WALLEYE DR - LAMPREY DR
 COLORADO SPRINGS, COLORADO
 CONTACT: JEFF MARK

DRAWN: RLS
 DESIGNED: RLS
 CHECKED: RLS

STREET & STORM SEWER PLAN/PROFILE
WALLEYE DR & SANDERLING ST
STA 23+00 TO STA 32+75

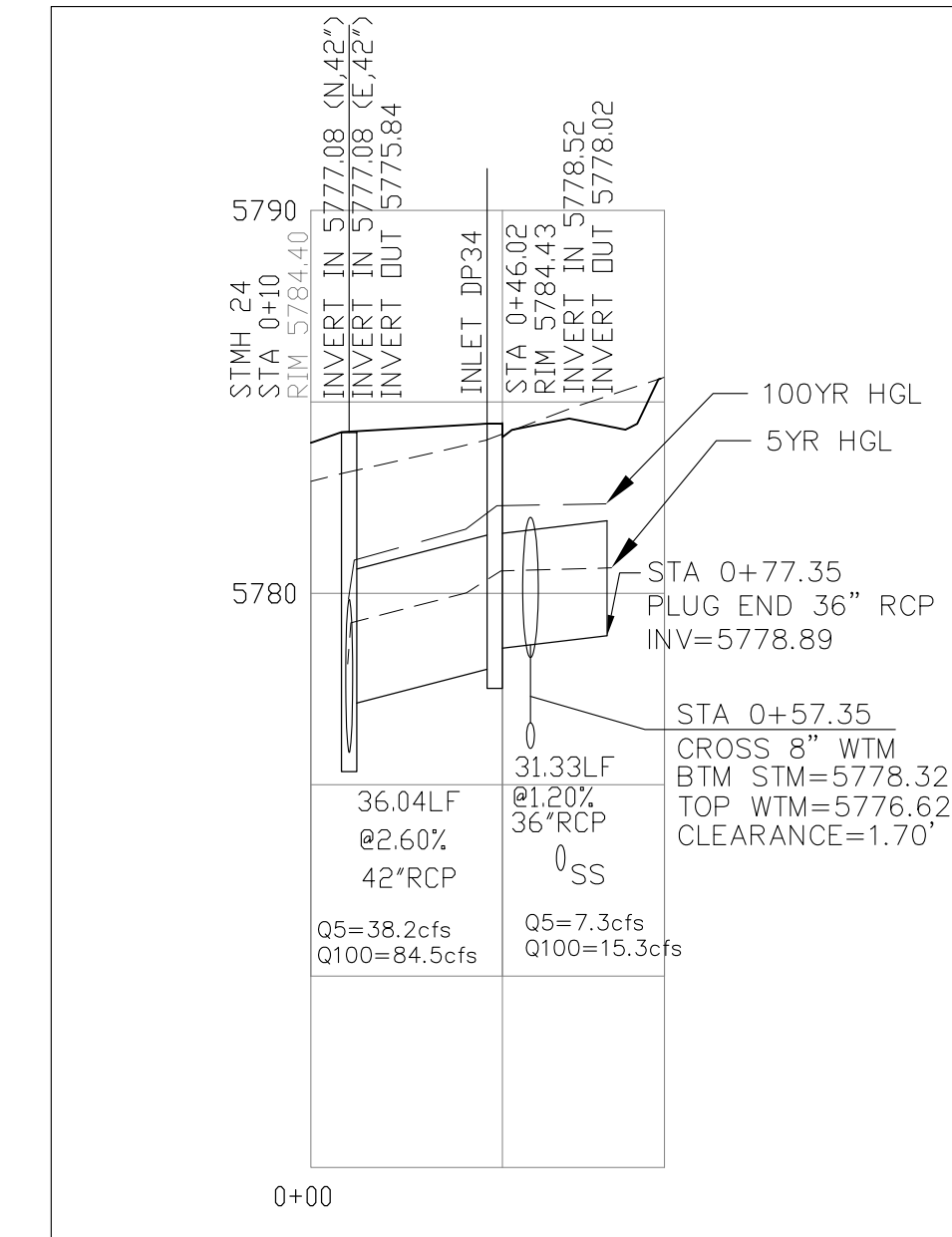
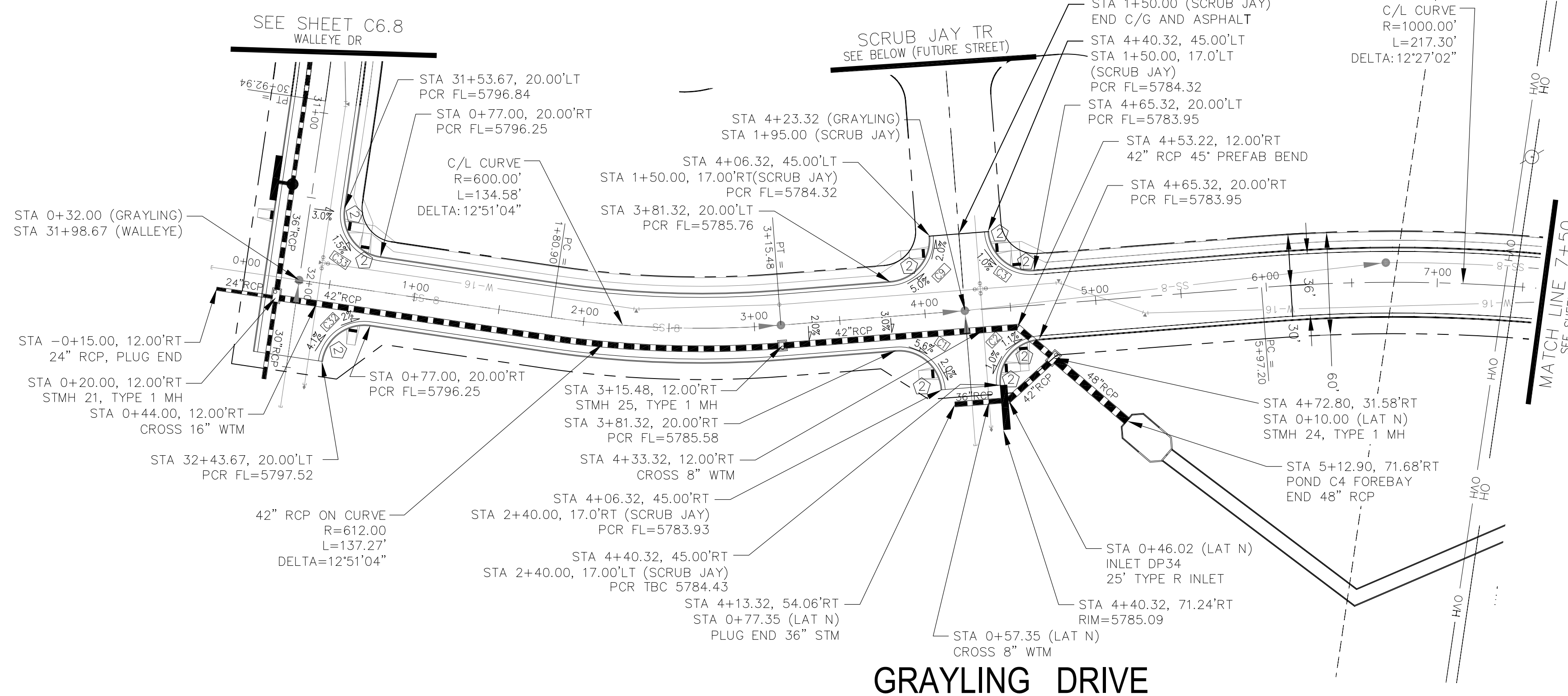
DATE:
 AUG 2, 2020

PROJECT NO.
 100.061
 SHEET NUMBER
C6.8
 TOTAL SHEETS: 58

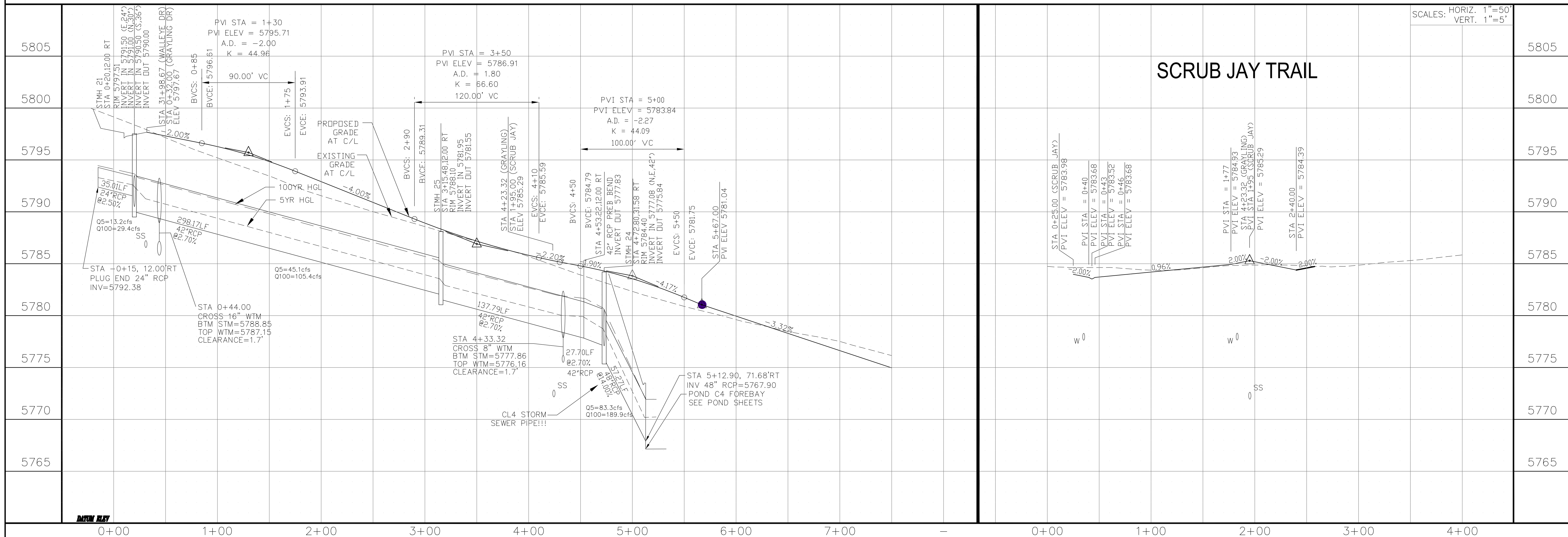
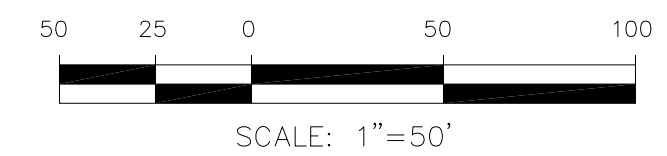
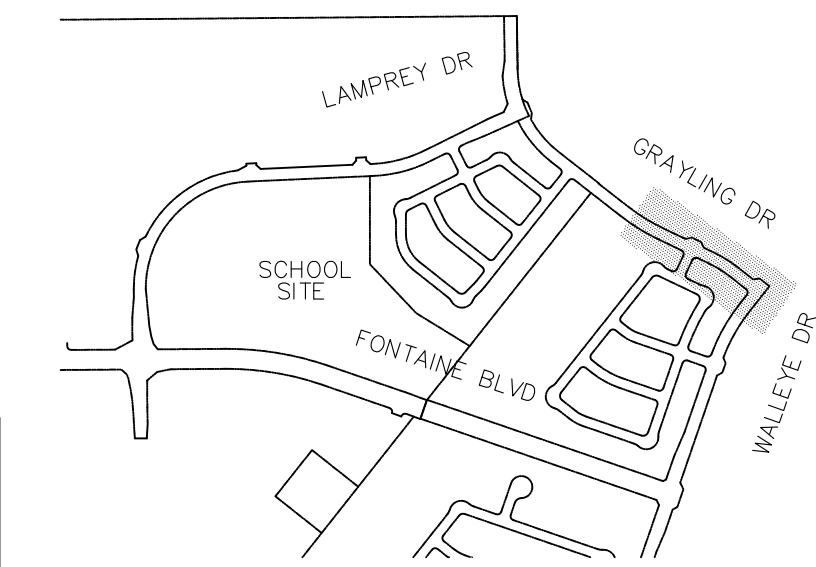
- NOTES
1. ALL SPOT ELEVATIONS ARE FLOW LINE UNLESS OTHERWISE NOTED.
 2. SEE EARLY GRADING PLAN FOR GRADING INFORMATION.
 3. ALL STORM SEWER SHALL BE CLASS III RCP.
 4. ALL MHS SHALL BE TYPE 1 UNLESS OTHERWISE NOTED.

- ① CURVE DATA ID
- ② PEDESTRIAN RAMP, SEE SHEET C10.1
- ③ CURB/GUTTER FLOW LINE POINTS

CURVE TABLE			
CURVE	LENGTH	RADIUS	DELTA
C1	39.27'	25.00'	90°00'00"
C2	39.27'	25.00'	90°00'00"
C3	39.27'	25.00'	90°00'00"
C9	39.27'	25.00'	90°00'00"
C32	39.27'	25.00'	90°00'00"
C33	39.27'	25.00'	90°00'00"



STM LAT 'N'



SCRUB JAY TRAIL

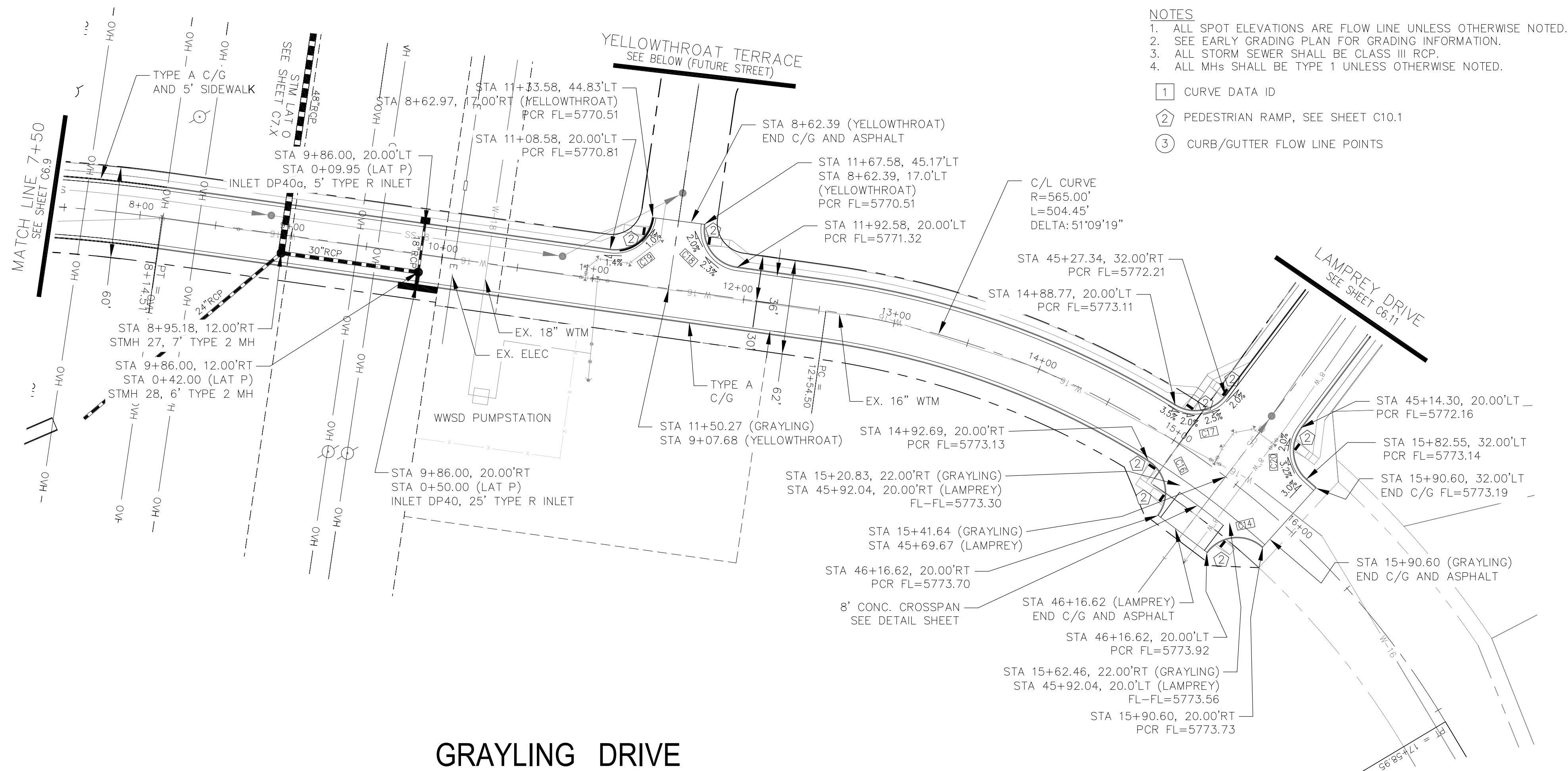
CORE ENGINEERING GROUP
 15004 15TH AVENUE S.
 PHOENIX, AZ 85006
 CONTACT: RICHARD L. SCHINDLER, P.E.
 EMAIL: Rich@ceg1.com

DATE: _____
 DESCRIPTION: _____
 NO: _____
 PREPARED FOR: **LORSON, LLC**
 212 N. WAHSATCH AVE, SUITE 301
 COLORADO SPRINGS, COLORADO 80903
 PROJECT: **THE HILLS COLLECTOR STREET CONSTRUCTION**
 FONTAINE BLVD - GRAYLING DR
 LORSON BLVD - WALLEVE DR - LAMPREY DR
 COLORADO SPRINGS, COLORADO
 CONTACT: JEFF MARK

DRAWN: RLS
 DESIGNED: RLS
 CHECKED: RLS

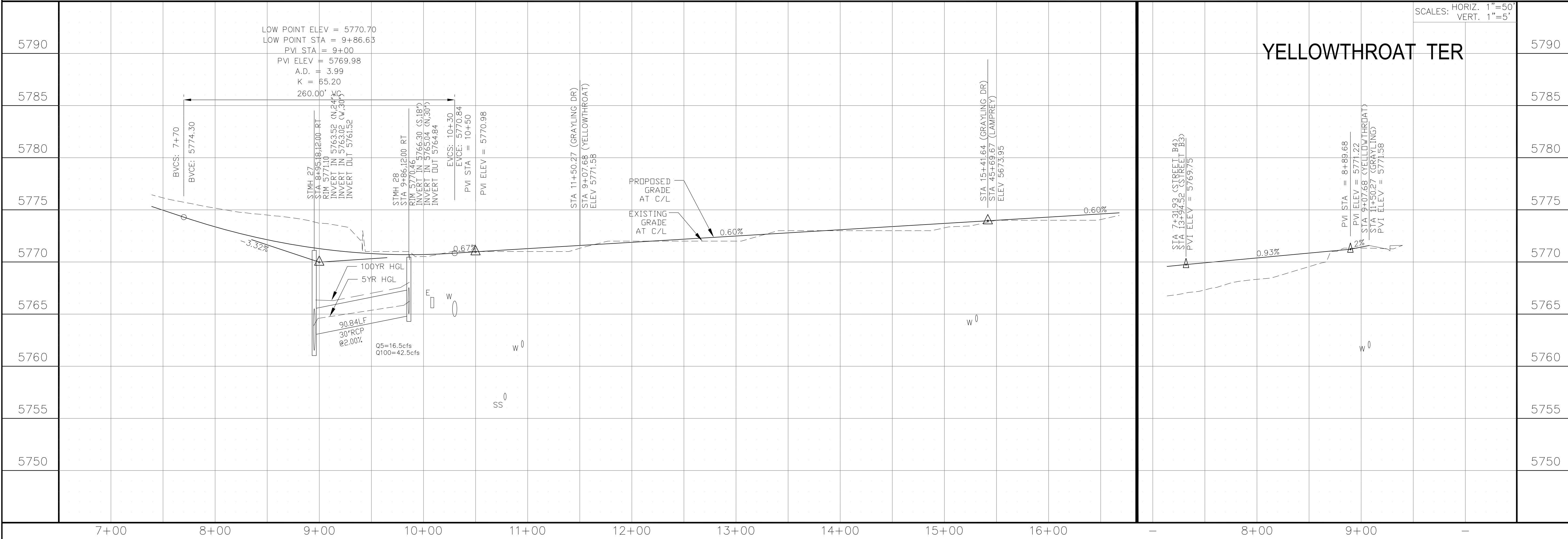
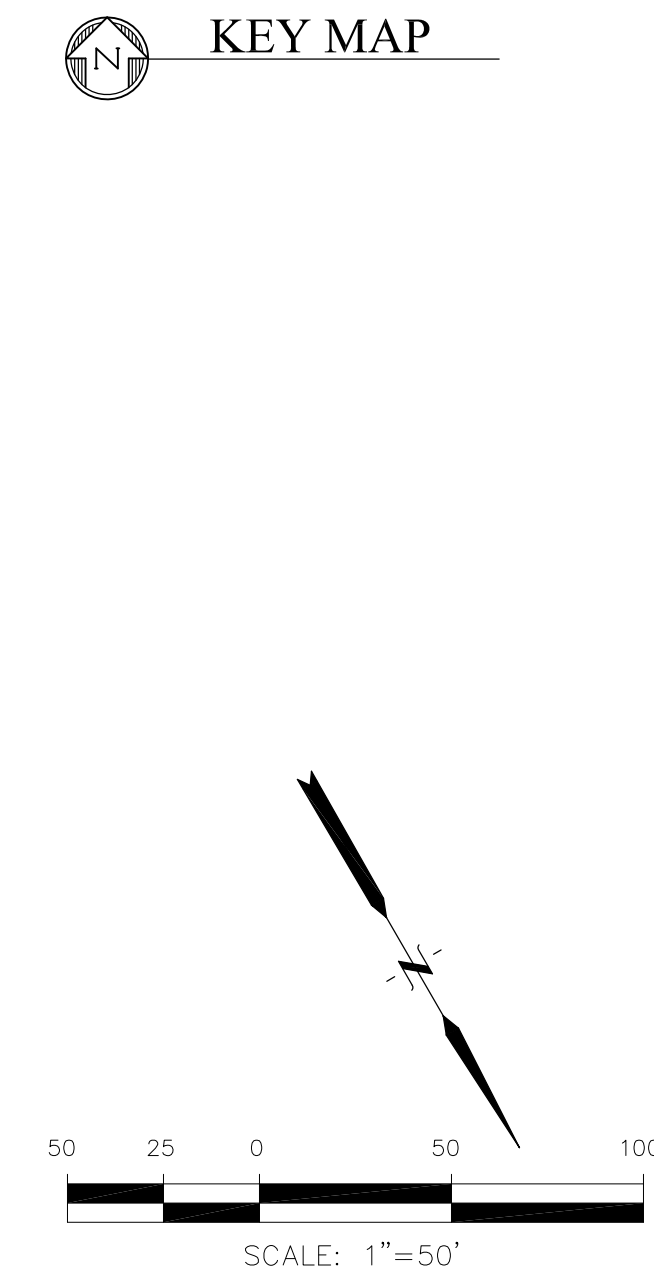
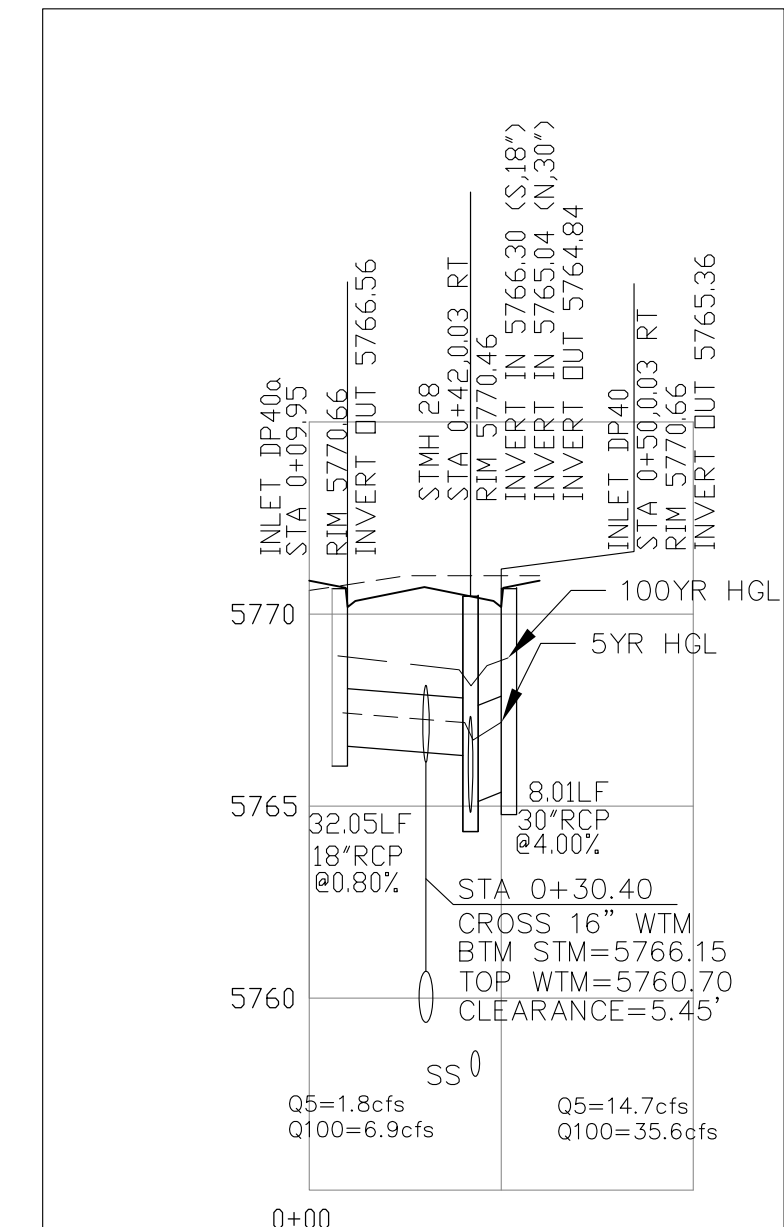
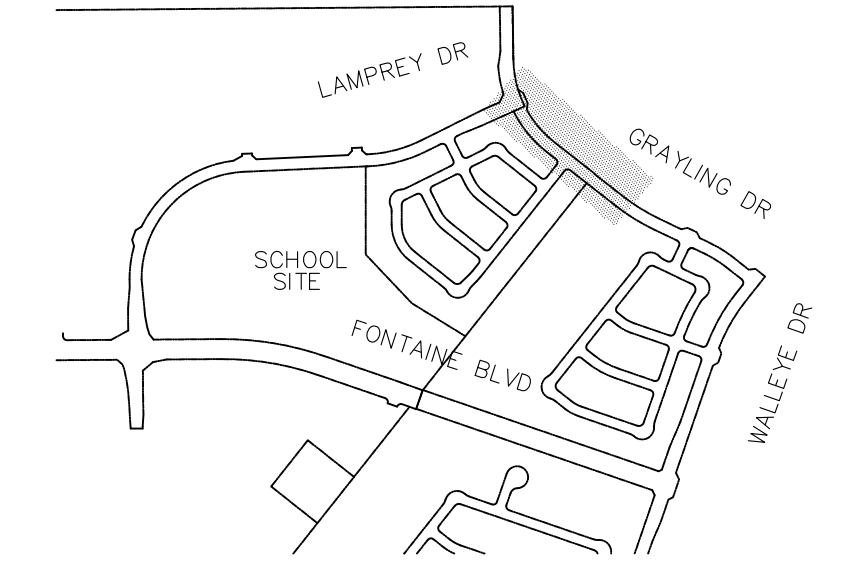
STREET & STORM SEWER PLAN/PROFILE
GRAYLING DR & SCRUB JAY TR
STA 0+00 TO STA 7+50

DATE: AUG 2, 2020
 PROJECT NO. 100.061
 SHEET NUMBER C6.9
 TOTAL SHEETS: 58



- NOTES**
1. ALL SPOT ELEVATIONS ARE FLOW LINE UNLESS OTHERWISE NOTED.
 2. SEE EARLY GRADING PLAN FOR GRADING INFORMATION.
 3. ALL STORM SEWER SHALL BE CLASS III RCP.
 4. ALL MHS SHALL BE TYPE 1 UNLESS OTHERWISE NOTED.
- ① CURVE DATA ID
 ② PEDESTRIAN RAMP, SEE SHEET C10.1
 ③ CURB/GUTTER FLOW LINE POINTS

CURVE TABLE			
CURVE	LENGTH	RADIUS	DELTA
C14	41.44'	25.00	94°57'52"
C16	41.44'	25.00	94°57'52"
C17	36.93'	25.00	84°38'18"
C18	39.44'	25.00	90°24'02"
C19	39.10'	25.00	89°35'58"
C20	37.46'	25.00	85°51'04"



CORE ENGINEERING GROUP
 15004 1ST AVENUE, SUITE 5506
 PARKER, CO 80138
 CONTACT: RICHARD L. SCHINDLER, P.E.
 EMAIL: Rich@ceg.com

DATE: _____
 DESCRIPTION: _____
 NO: _____

PREPARED FOR:
LORSON, LLC
 212 N. WAHSATCH AVE, SUITE 301
 COLORADO SPRINGS, COLORADO 80903
 CONTACT: JEFF MARK

PROJECT:
THE HILLS COLLECTOR STREET CONSTRUCTION
 FONTAINE BLVD - GRAYLING DR
 LORSON BLVD - WALLEYE DR - LAMPREY DR
 COLORADO SPRINGS, COLORADO

DRAWN: RLS
 DESIGNED: RLS
 CHECKED: RLS

STREET & STORM SEWER PLAN/PROFILE
GRAYLING DR & YELLOWTHROAT TER.
STA 7+50 TO STA 16+00

DATE:
 AUG 21, 2020

PROJECT NO.
 100.061

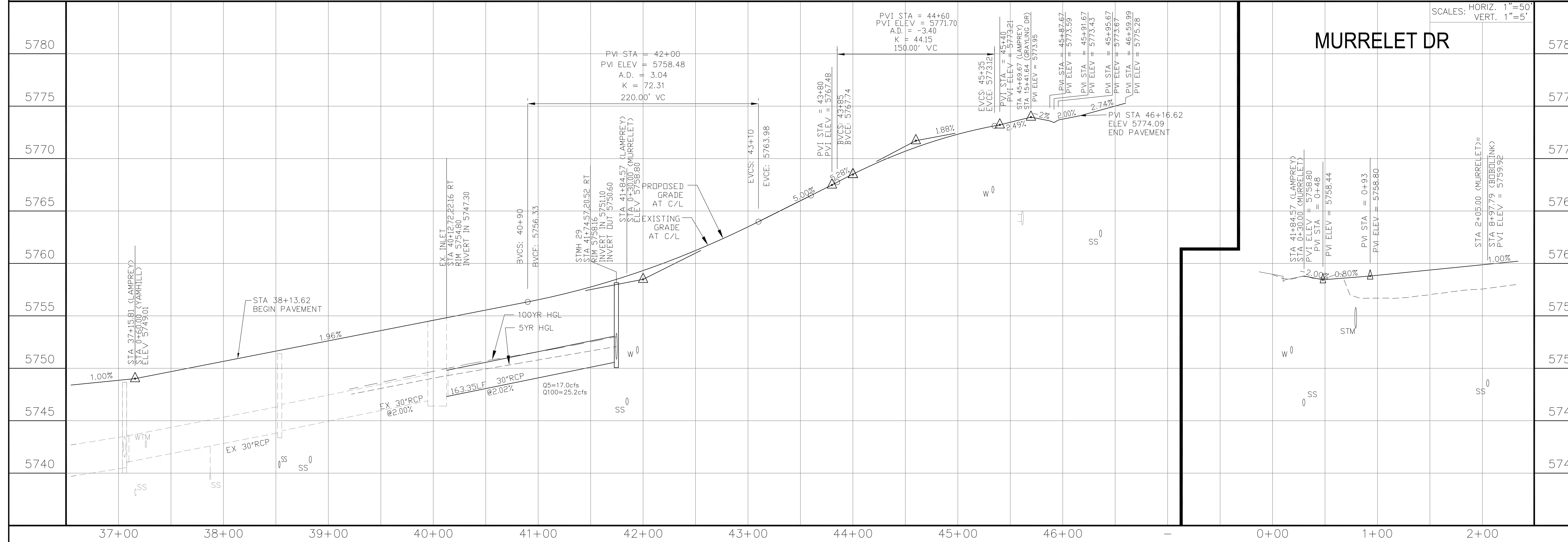
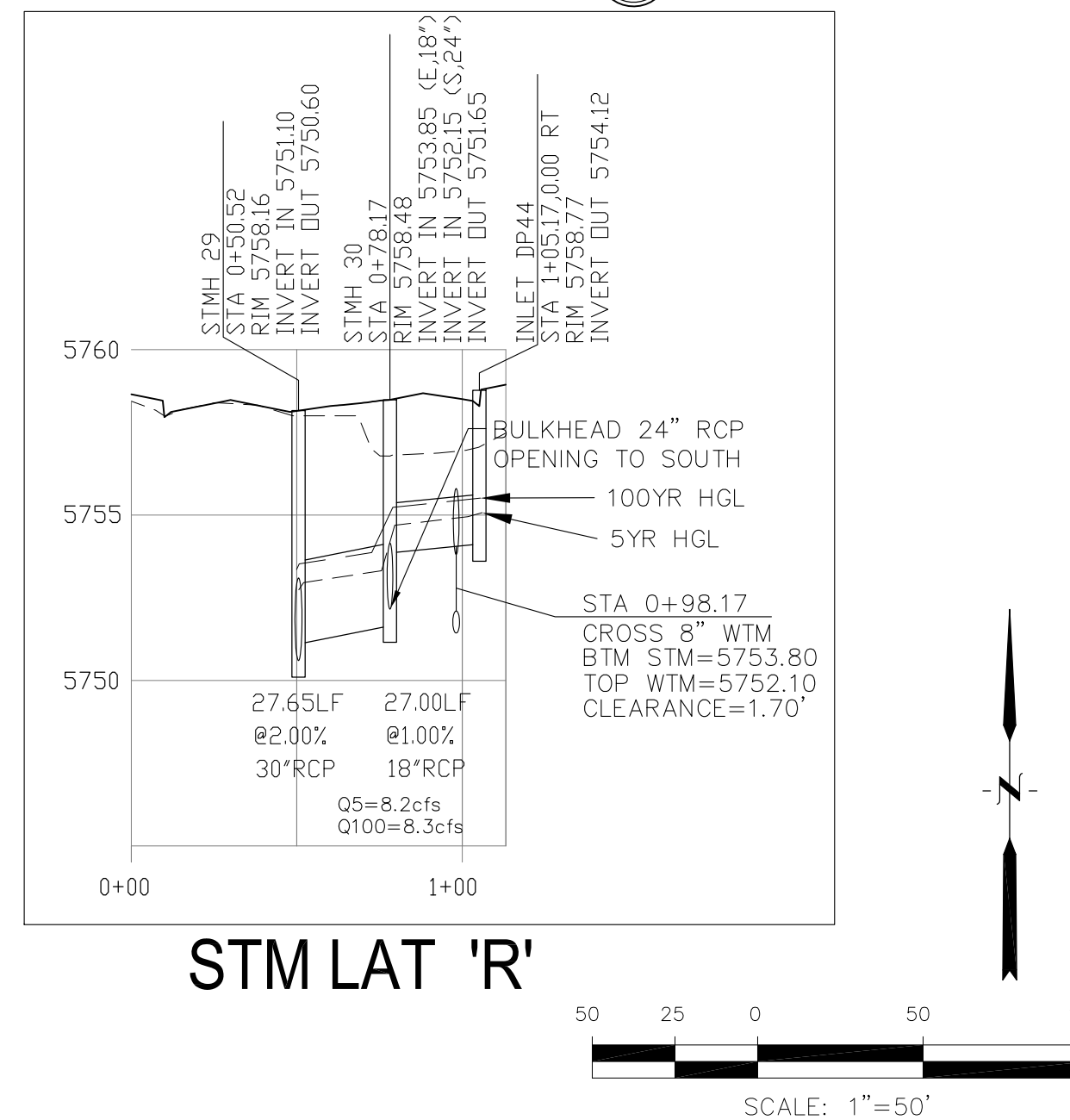
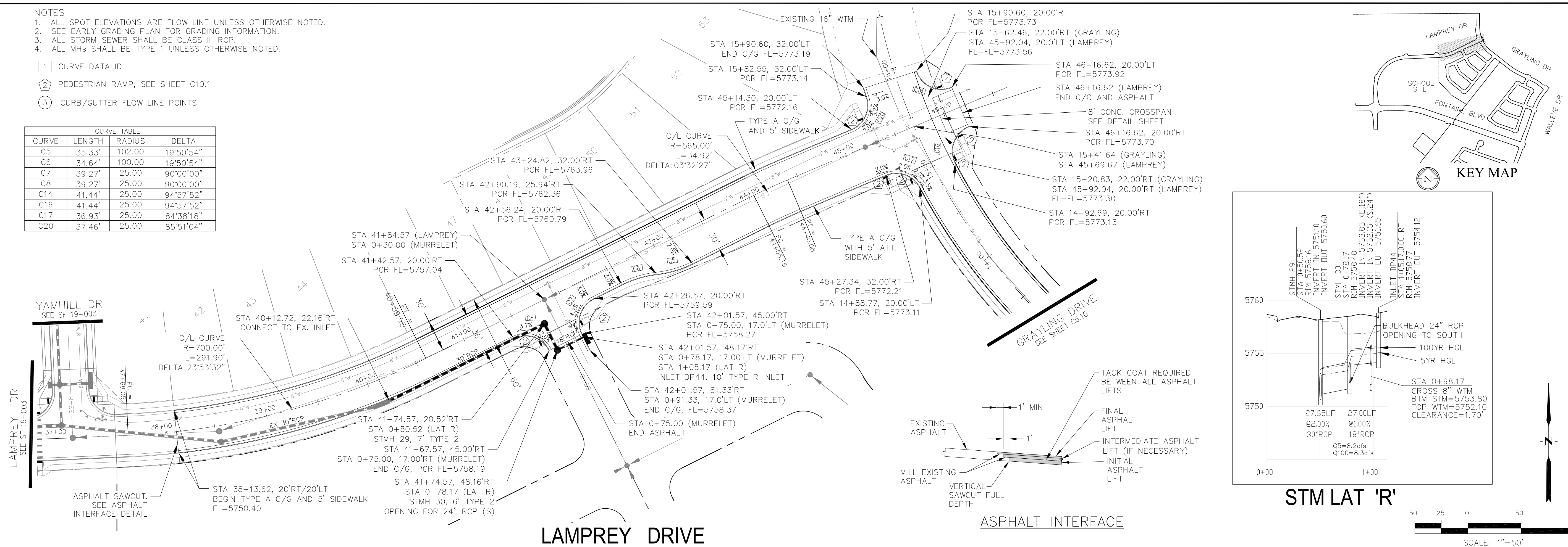
SHEET NUMBER
C6.10

TOTAL SHEETS: 58

- NOTES
1. ALL SPOT ELEVATIONS ARE FLOW LINE UNLESS OTHERWISE NOTED.
 2. SEE EARLY GRADING PLAN FOR GRADING INFORMATION.
 3. ALL STORM SEWER SHALL BE CLASS III RCP.
 4. ALL MHS SHALL BE TYPE 1 UNLESS OTHERWISE NOTED.

- 1 CURVE DATA ID
- 2 PEDESTRIAN RAMP, SEE SHEET C10.1
- 3 CURB/GUTTER FLOW LINE POINTS

CURVE TABLE			
CURVE	LENGTH	RADIUS	DELTA
C5	35.33'	102.00	19°50'54"
C6	34.64'	100.00	19°50'54"
C7	39.27'	25.00	90°00'00"
C8	39.27'	25.00	90°00'00"
C14	41.44'	25.00	94°57'52"
C16	41.44'	25.00	94°57'52"
C17	36.93'	25.00	84°38'18"
C20	37.46'	25.00	85°51'04"



CORE ENGINEERING GROUP
 15004 1ST AVENUE, SUITE 3500
 PLYMOUTH, CO 80455
 CONTACT: RICHARD L. SCHINDLER, P.E.
 EMAIL: Rich@ceg1.com

DATE: _____
 NO. _____
 DESCRIPTION: _____

PREPARED FOR: **LORSON, LLC**
 212 N. WAHATCH AVE, SUITE 301
 COLORADO SPRINGS, COLORADO 80903
 CONTACT: JEFF MARK

PROJECT: **THE HILLS COLLECTOR STREET CONSTRUCTION**
 FONTAINE BLVD - GRAYLING DR
 LORSON BLVD - WALLEYE DR - LAMPREY DR
 COLORADO SPRINGS, COLORADO

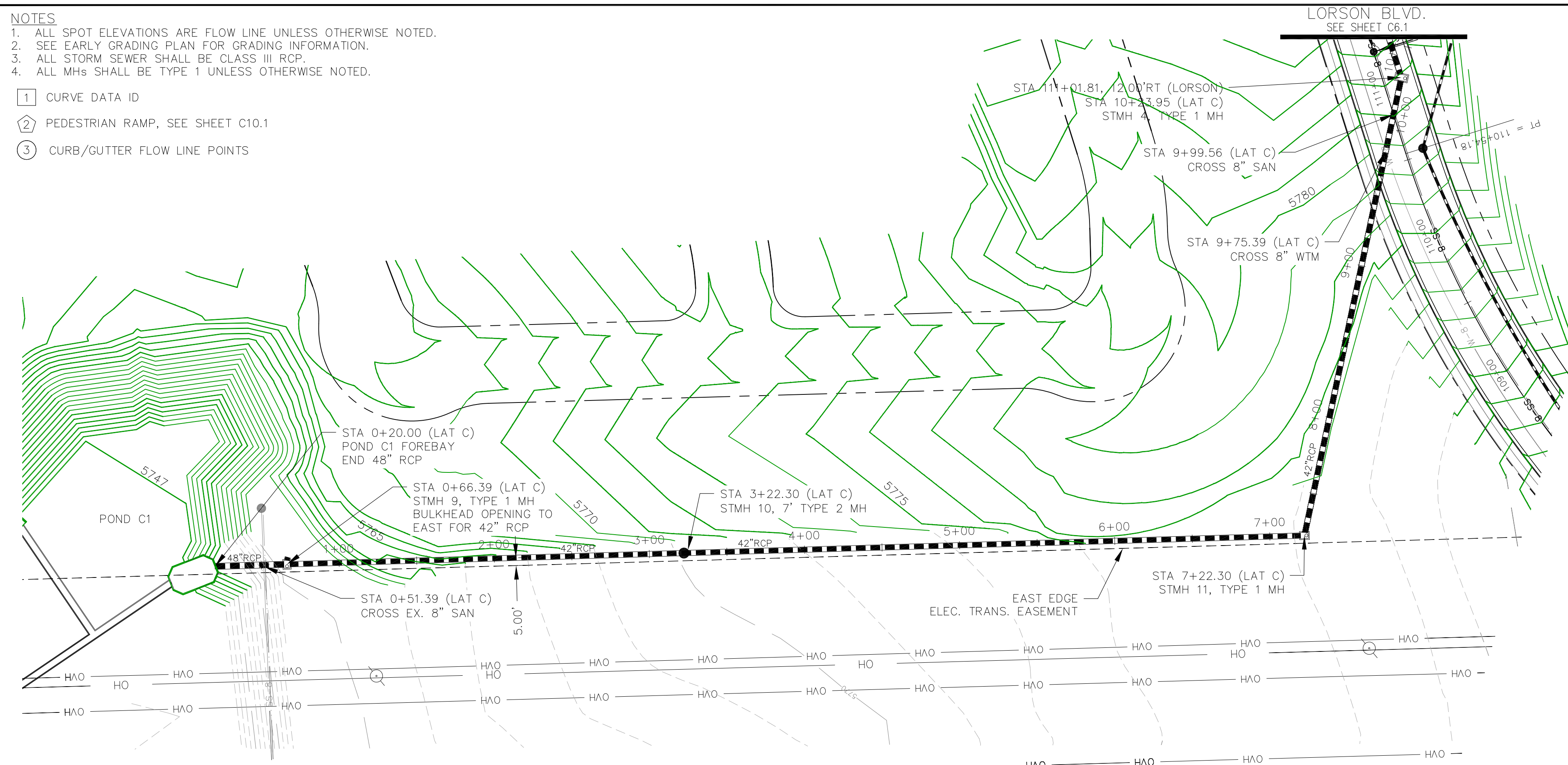
DRAWN: RLS
 DESIGNED: RLS
 CHECKED: RLS

STREET & STORM SEWER PLAN/PROFILE
LAMPREY DR AND MURRELET DR
STA 37+15 TO STA 46+00

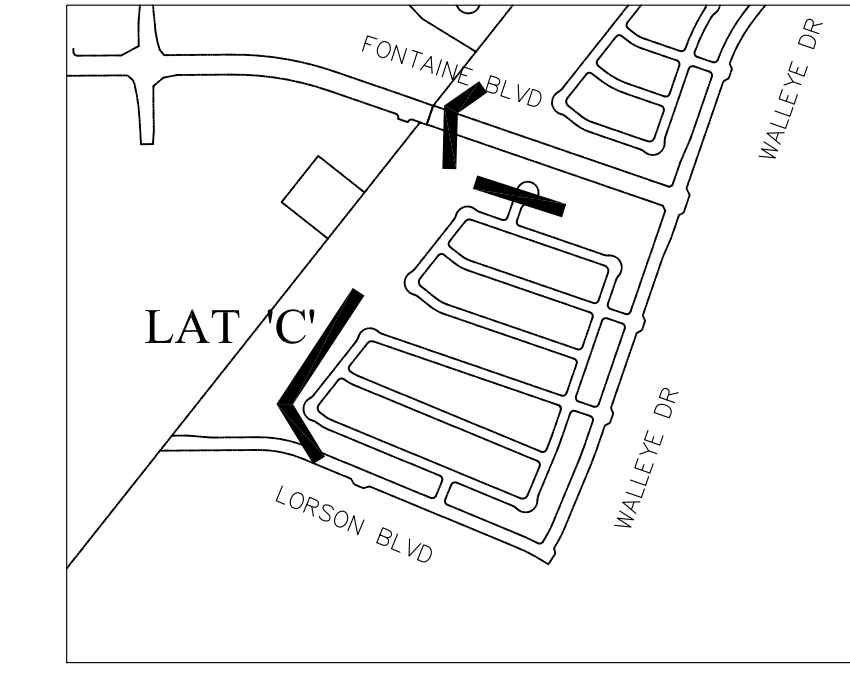
DATE: AUG 2, 2020
 PROJECT NO. 100.061
 SHEET NUMBER **C6.11**
 TOTAL SHEETS: 58

- NOTES
1. ALL SPOT ELEVATIONS ARE FLOW LINE UNLESS OTHERWISE NOTED.
 2. SEE EARLY GRADING PLAN FOR GRADING INFORMATION.
 3. ALL STORM SEWER SHALL BE CLASS III RCP.
 4. ALL MHS SHALL BE TYPE 1 UNLESS OTHERWISE NOTED.

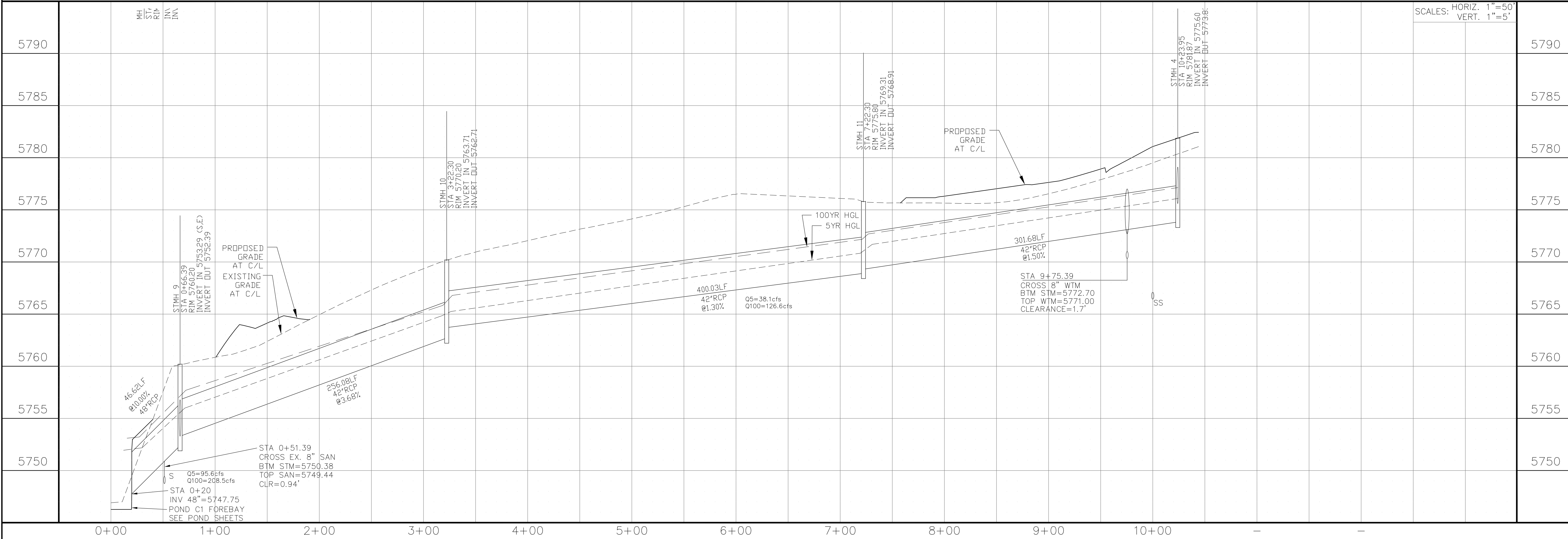
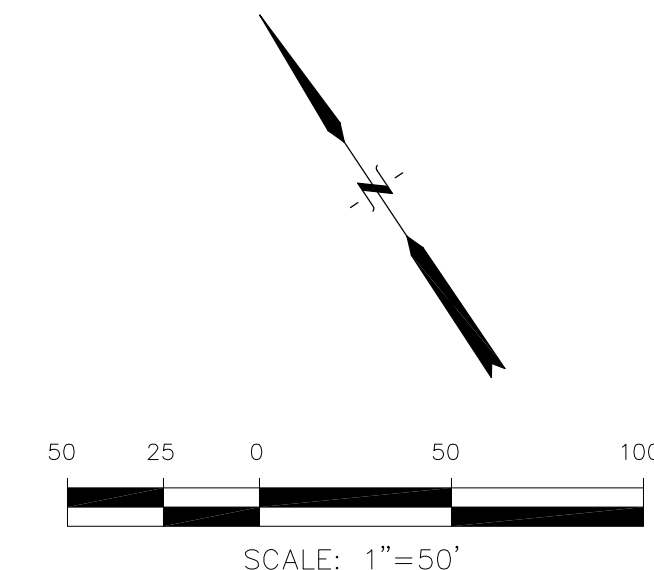
- ① CURVE DATA ID
- ② PEDESTRIAN RAMP, SEE SHEET C10.1
- ③ CURB/GUTTER FLOW LINE POINTS



STORM LATERAL 'C'



KEY MAP



CORE
ENGINEERING GROUP
15004 151ST AVENUE, S.
DENVER, CO 80202
PHONE: 719.570.1100
CONTACT: RICHARD L. SCHINDLER, P.E.
EMAIL: Rich@cg1.com

DATE: _____
DESCRIPTION: _____
NO: _____

PREPARED FOR:
LORSON, LLC
212 N. WAHSATCH AVE, SUITE 301
COLORADO SPRINGS, COLORADO 80903
CONTACT: JEFF MARK

PROJECT:
THE HILLS COLLECTOR
STREET CONSTRUCTION
FONTAINE BLVD - GRAYLING DR
LORSON BLVD - WALLEYE DR - LAMPREY DR
COLORADO SPRINGS, COLORADO

DRAWN: RLS
DESIGNED: RLS
CHECKED: RLS

STREET & STORM SEWER PLAN/PROFILE
STORM LATERAL 'C'

DATE:
AUGUST 2, 2020

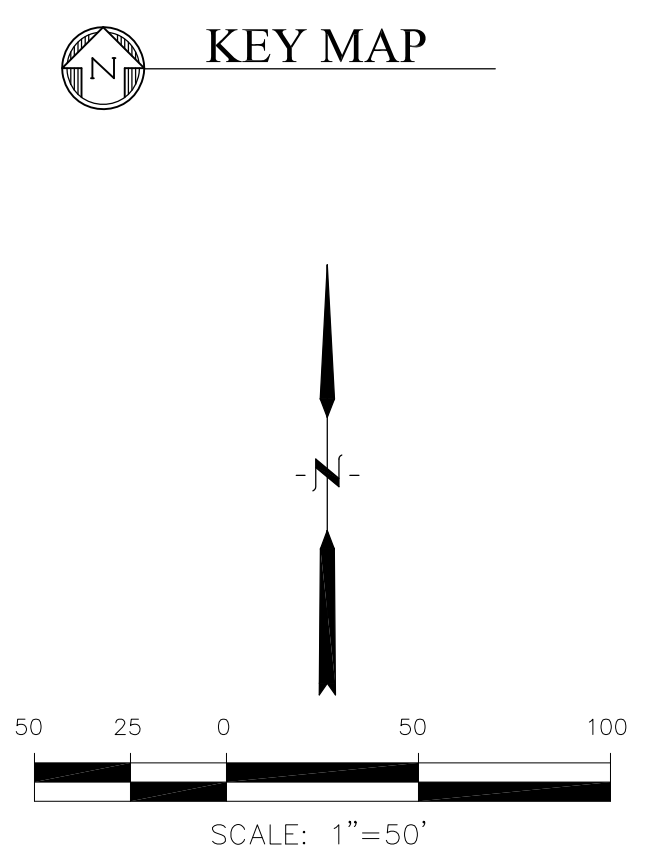
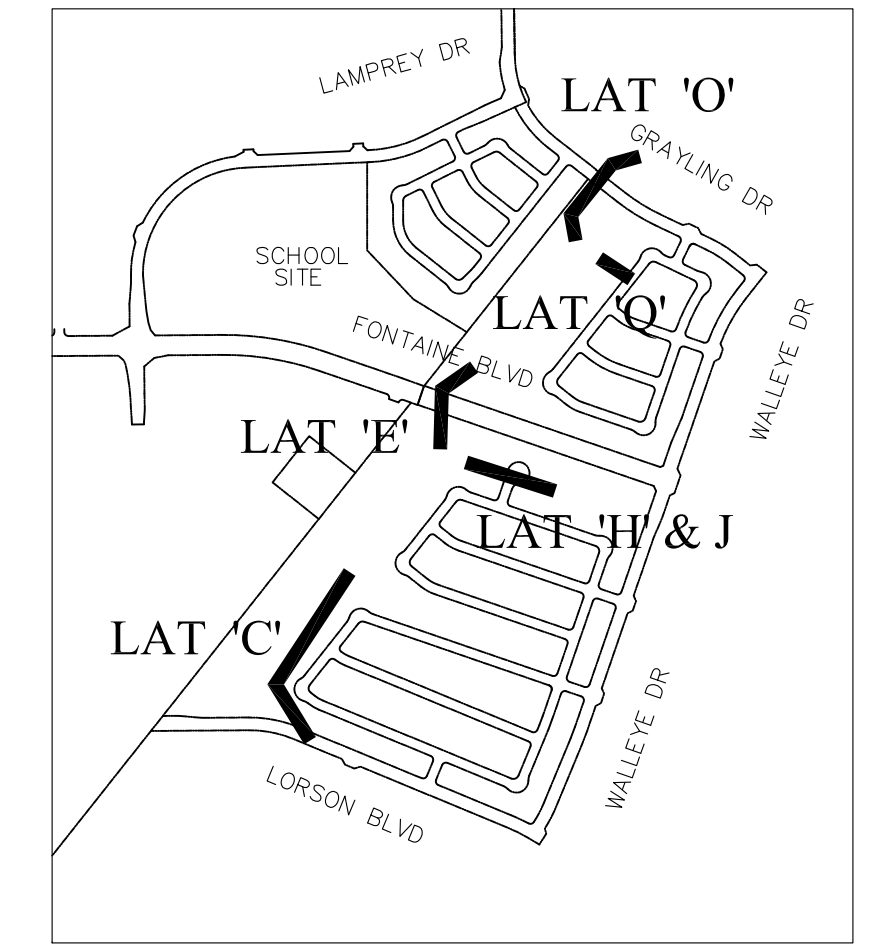
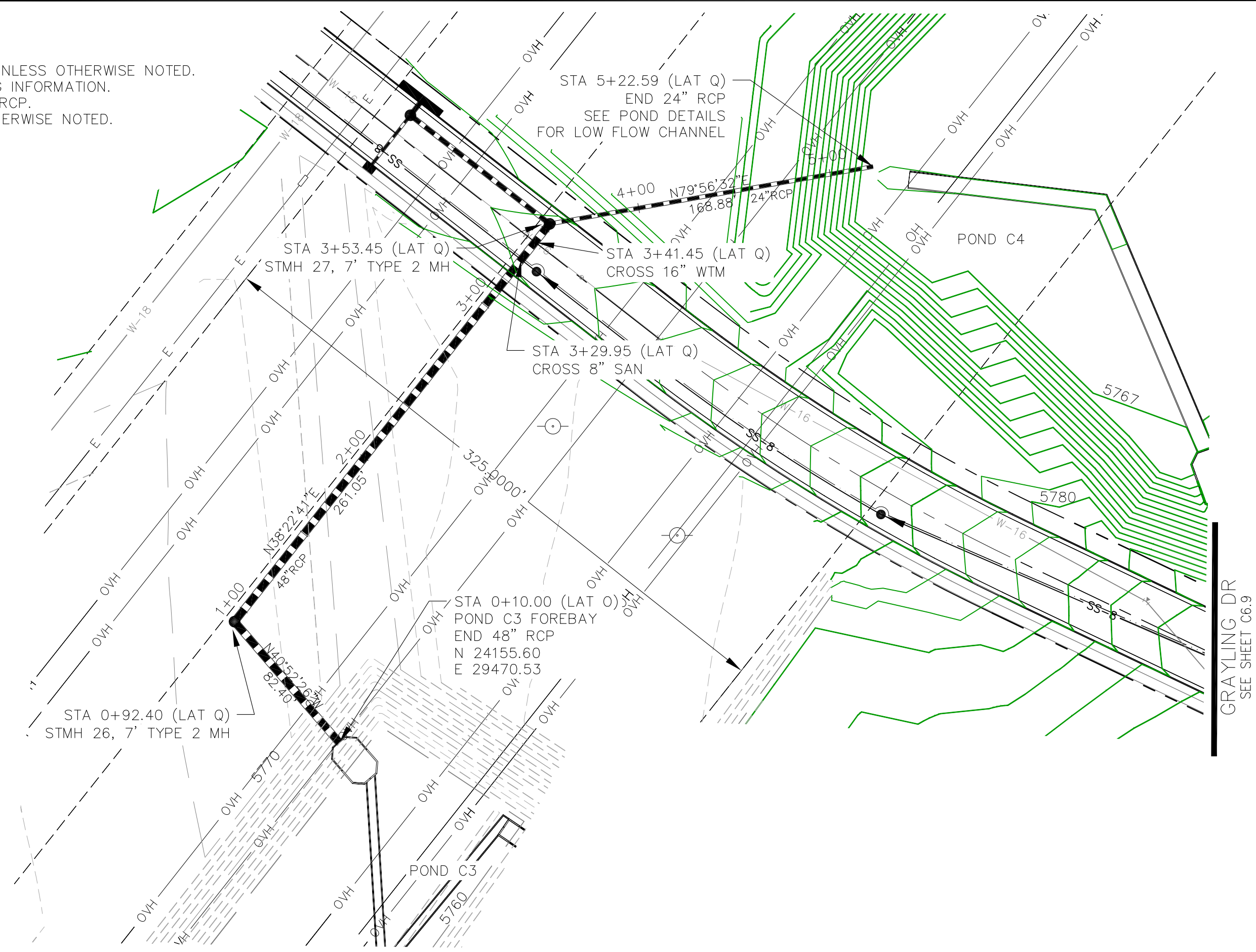
PROJECT NO.
100.061

SHEET NUMBER
C7.1

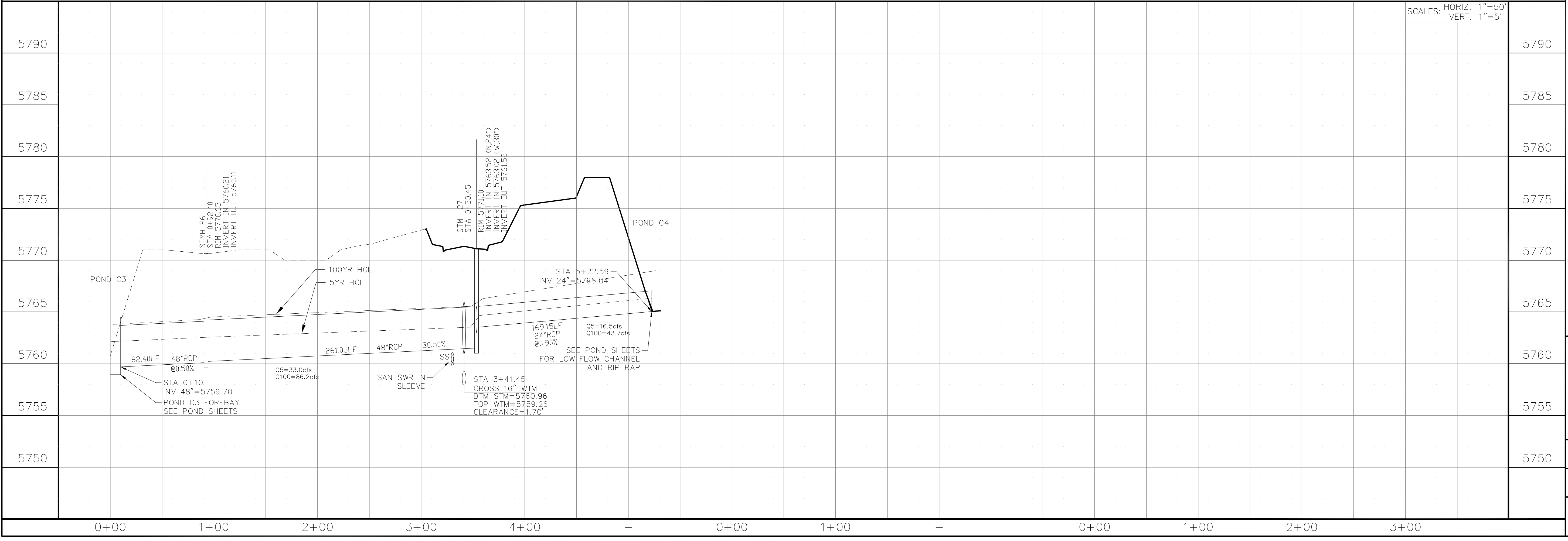
TOTAL SHEETS: 58

- NOTES
1. ALL SPOT ELEVATIONS ARE FLOW LINE UNLESS OTHERWISE NOTED.
 2. SEE EARLY GRADING PLAN FOR GRADING INFORMATION.
 3. ALL STORM SEWER SHALL BE CLASS III RCP.
 4. ALL MHS SHALL BE TYPE 1 UNLESS OTHERWISE NOTED.

- ① CURVE DATA ID
- ② PEDESTRIAN RAMP, SEE SHEET C10.1
- ③ CURB/GUTTER FLOW LINE POINTS



STORM LATERAL 'O'



SCALES: HORIZ. 1"=50'
VERT. 1"=5'

CORE ENGINEERING GROUP
15004 151ST AVENUE, SUITE 300
DENVER, CO 80202
PHONE: 719.570.1100
CONTACT: RICHARD L. SCHINDLER, P.E.
EMAIL: Rich@cge1.com

PREPARED FOR:
LORSON, LLC
212 N. WAHSATCH AVE, SUITE 301
COLORADO SPRINGS, COLORADO 80903
(719) 635-3200
CONTACT: JEFF MARK

PROJECT:
THE HILLS COLLECTOR STREET CONSTRUCTION
FONTAINE BLVD - GRAYLING DR
LORSON BLVD - WALLEYE DR - LAMPREY DR
COLORADO SPRINGS, COLORADO

DRAWN: RLS
DESIGNED: RLS
CHECKED: RLS

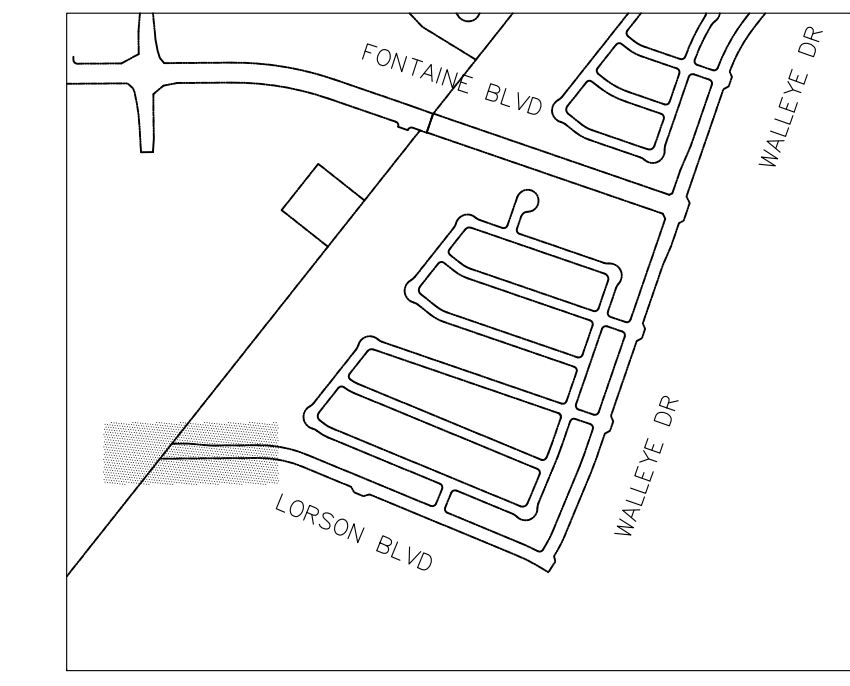
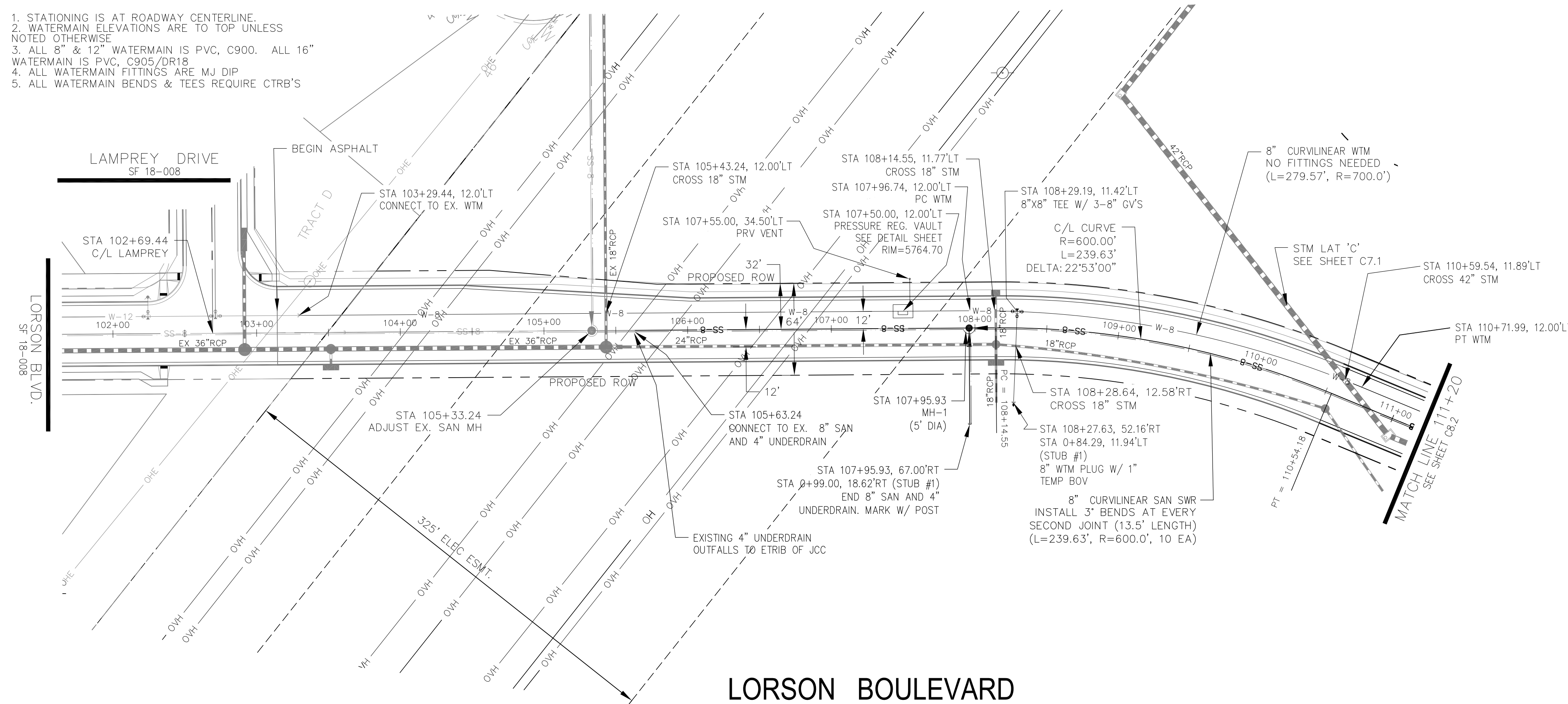
STREET & STORM SEWER PLAN/PROFILE
STORM LATERAL 'O'

DATE:
AUGUST 2, 2020

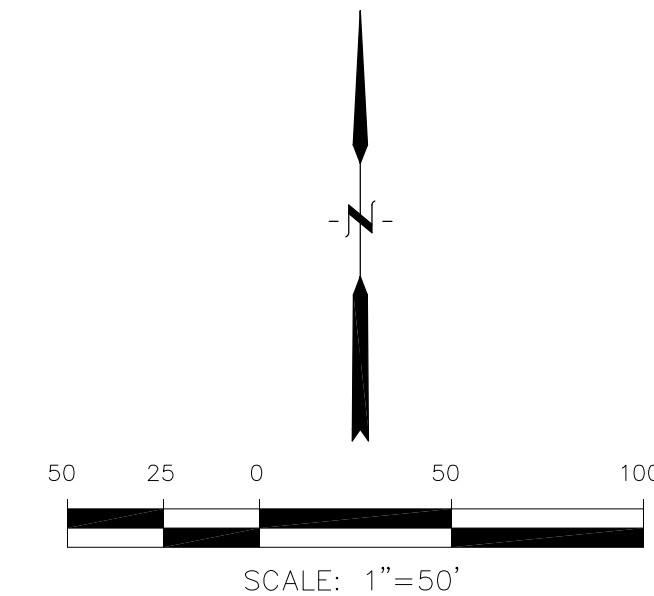
PROJECT NO.
100.061
SHEET NUMBER
C7.4
TOTAL SHEETS: 58

NOTES

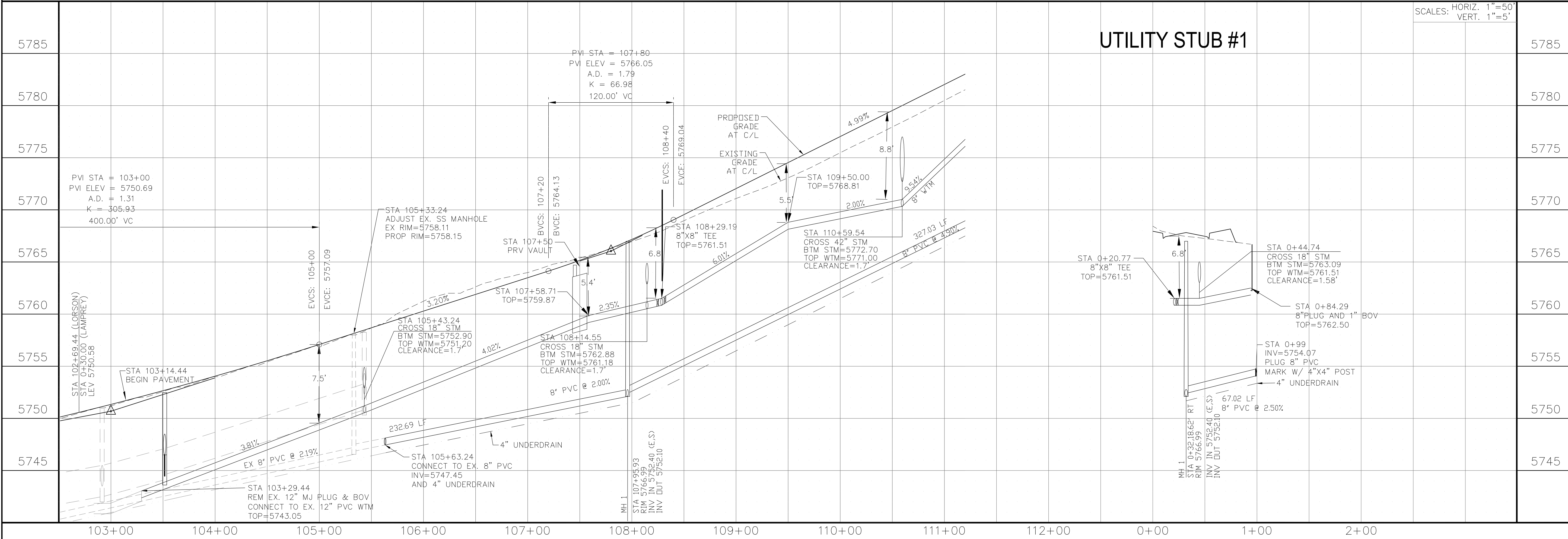
1. STATIONING IS AT ROADWAY CENTERLINE.
2. WATERMAIN ELEVATIONS ARE TO TOP UNLESS NOTED OTHERWISE
3. ALL 8" & 12" WATERMAIN IS PVC, C900. ALL 16" WATERMAIN IS PVC, C905/DR18
4. ALL WATERMAIN FITTINGS ARE MJ DIP
5. ALL WATERMAIN BENDS & TEES REQUIRE CTRB'S



KEY MAP



LORSON BOULEVARD



SCALES: HORIZ. 1"=50'
VERT. 1"=5'

CORE ENGINEERING GROUP
15004 151ST AVENUE, SUITE 300
P.O. BOX 1100
PH: 719.570.1100
CONTACT: RICHARD L. SCHINDLER, P.E.
EMAIL: Rich@ceg1.com

DATE: _____
DESCRIPTION: _____
NO: _____
DRAWN: RLS
DESIGNED: RLS
CHECKED: RLS

PREPARED FOR:
LORSON, LLC
212 N. WAHSATCH AVE, SUITE 301
COLORADO SPRINGS, COLORADO 80903
CONTACT: JEFF MARK

PROJECT:
THE HILLS COLLECTOR STREET CONSTRUCTION
FONTAINE BLVD - GRAYLING DR
LORSON BLVD - WALLEYE DR - LAMPREY DR
COLORADO SPRINGS, COLORADO

WTM AND SANITARY PLAN/PROFILE
LORSON BOULEVARD
STA 103+00 TO STA 111+20

DATE:
AUG 2, 2020

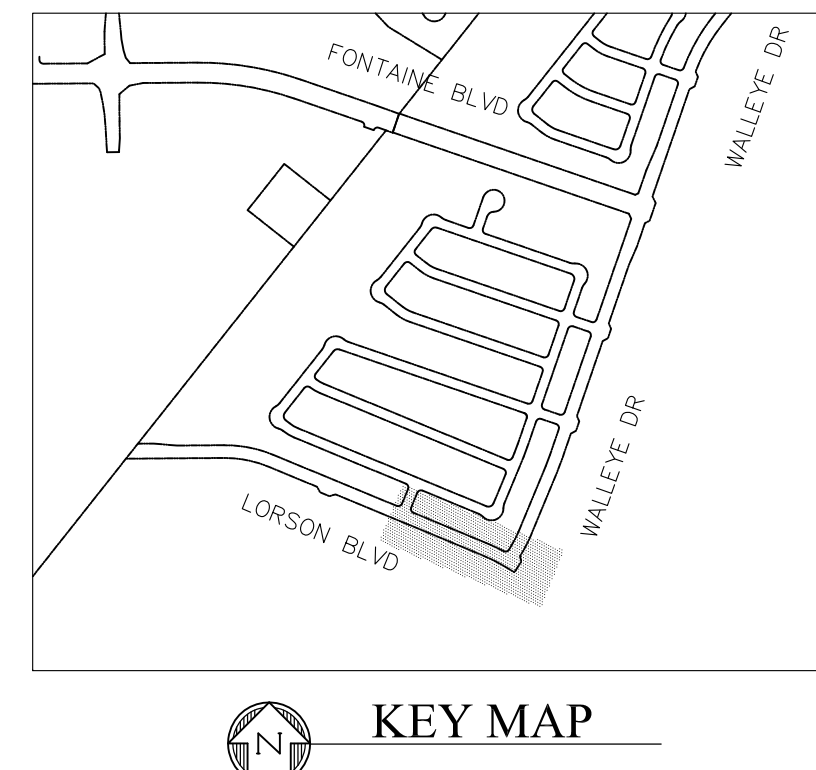
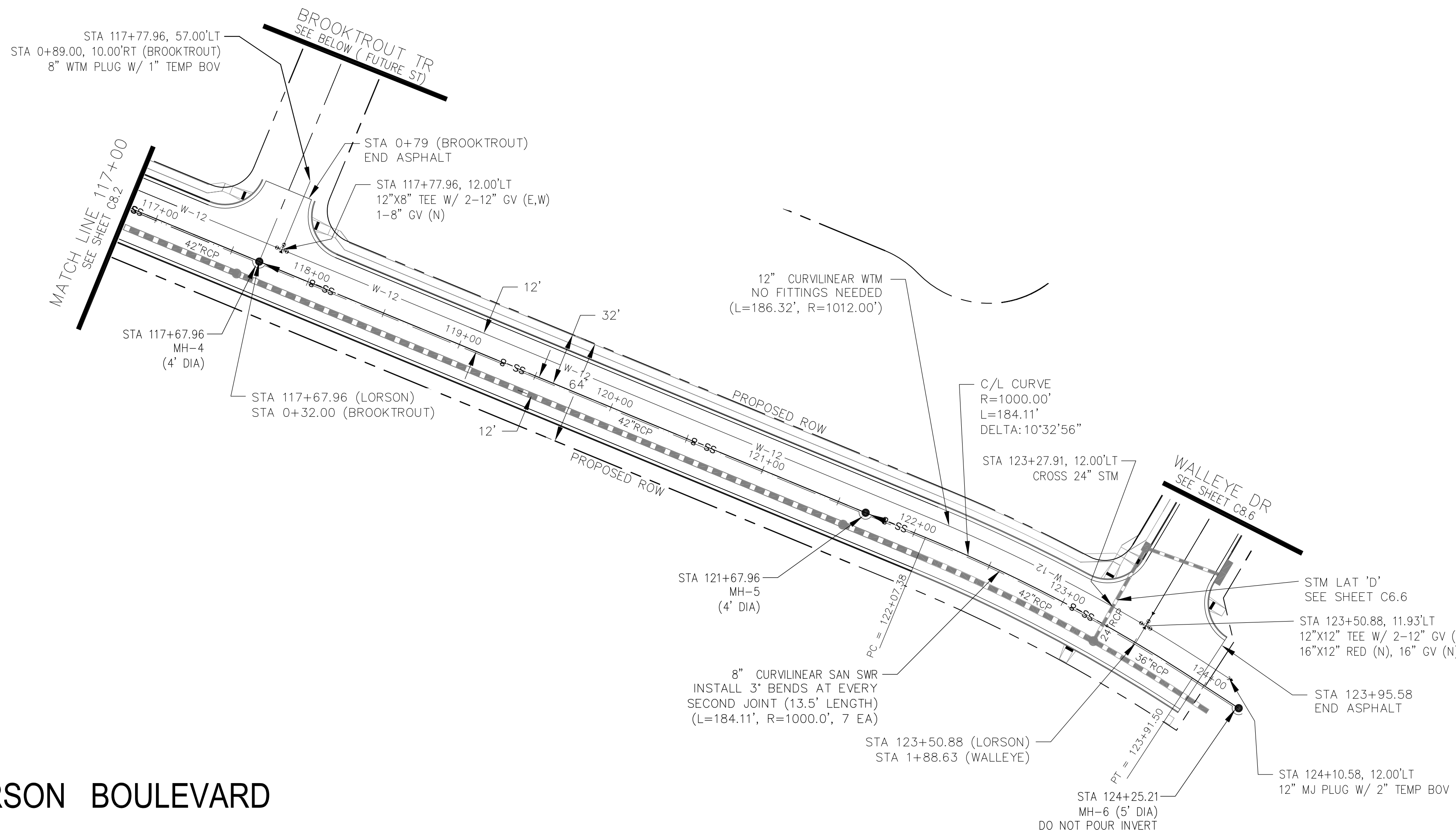
PROJECT NO.
100.061

SHEET NUMBER
C8.1

TOTAL SHEETS: 58

NOTES

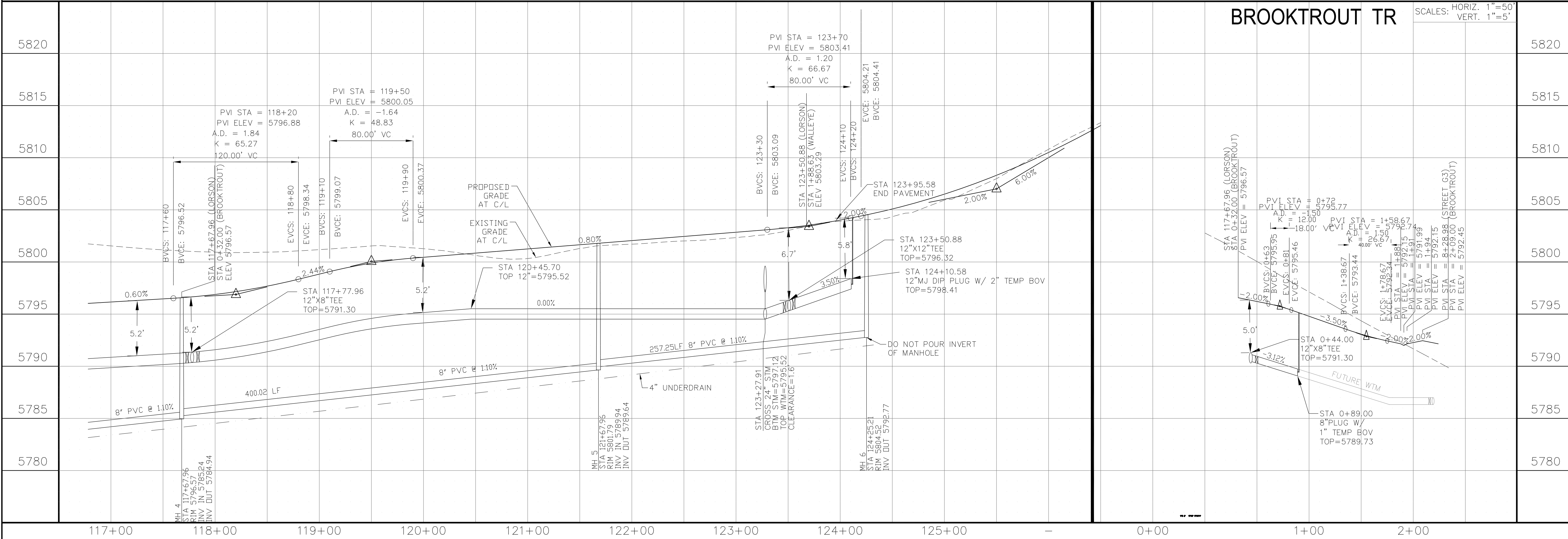
1. STATIONING IS AT ROADWAY CENTERLINE.
2. WATERMAIN ELEVATIONS ARE TO TOP UNLESS NOTED OTHERWISE.
3. ALL 8" & 12" WATERMAIN IS PVC, C900. ALL 16" WATERMAIN IS PVC, C905/DR18.
4. ALL WATERMAIN FITTINGS ARE MJ DIP.
5. ALL WATERMAIN BENDS & TEES REQUIRE CTRB'S.



LORSON BOULEVARD

BROOKTROUT TR

SCALES: HORIZ. 1"=50'
VERT. 1"=5'



CORE ENGINEERING GROUP
15004 151ST AVENUE, S.
DENVER, CO 80202
PH: 719.570.1100
CONTACT: RICHARD L. SCHINDLER, P.E.
EMAIL: Rich@cegi.com

DATE: _____
DESCRIPTION: _____
NO: _____
PROJECT FOR: **LORSON, LLC**
212 N. WAHSATCH AVE, SUITE 301
COLORADO SPRINGS, COLORADO 80903
CONTACT: JEFF MARK

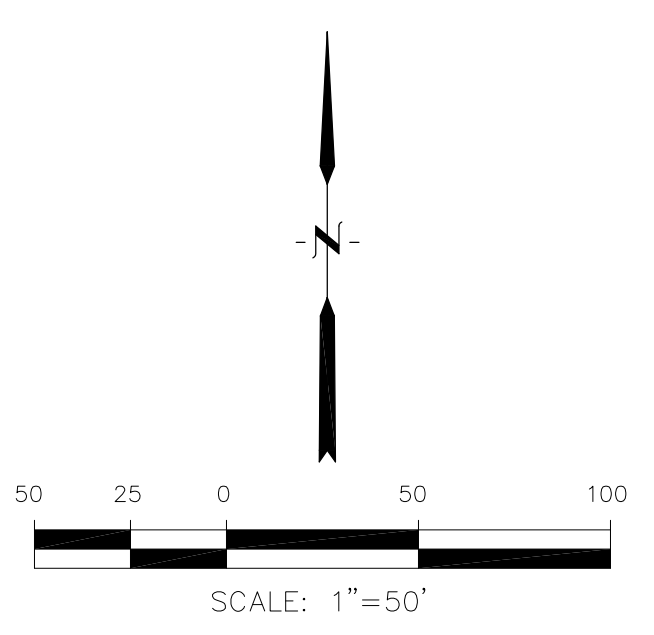
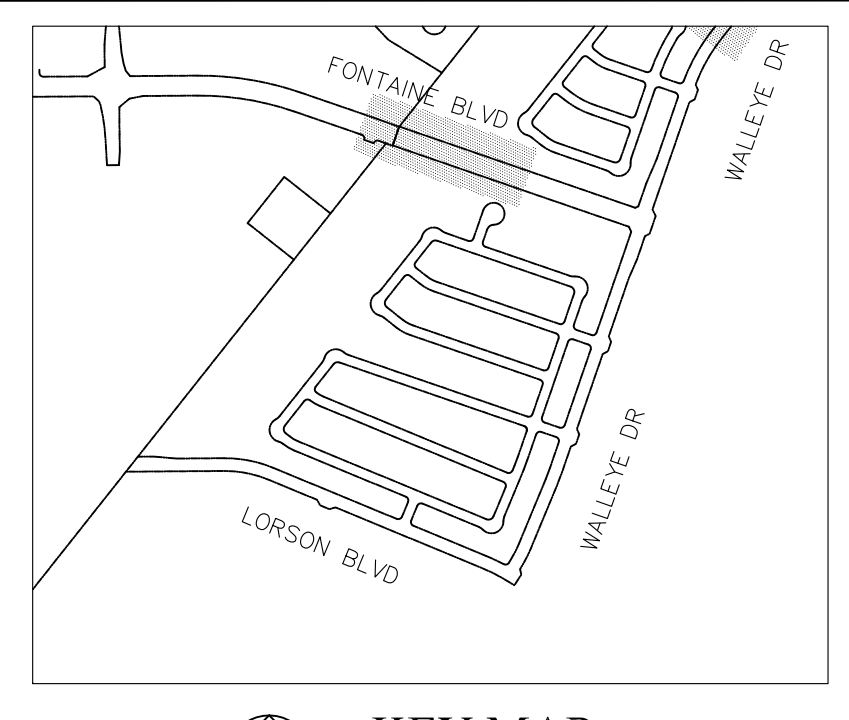
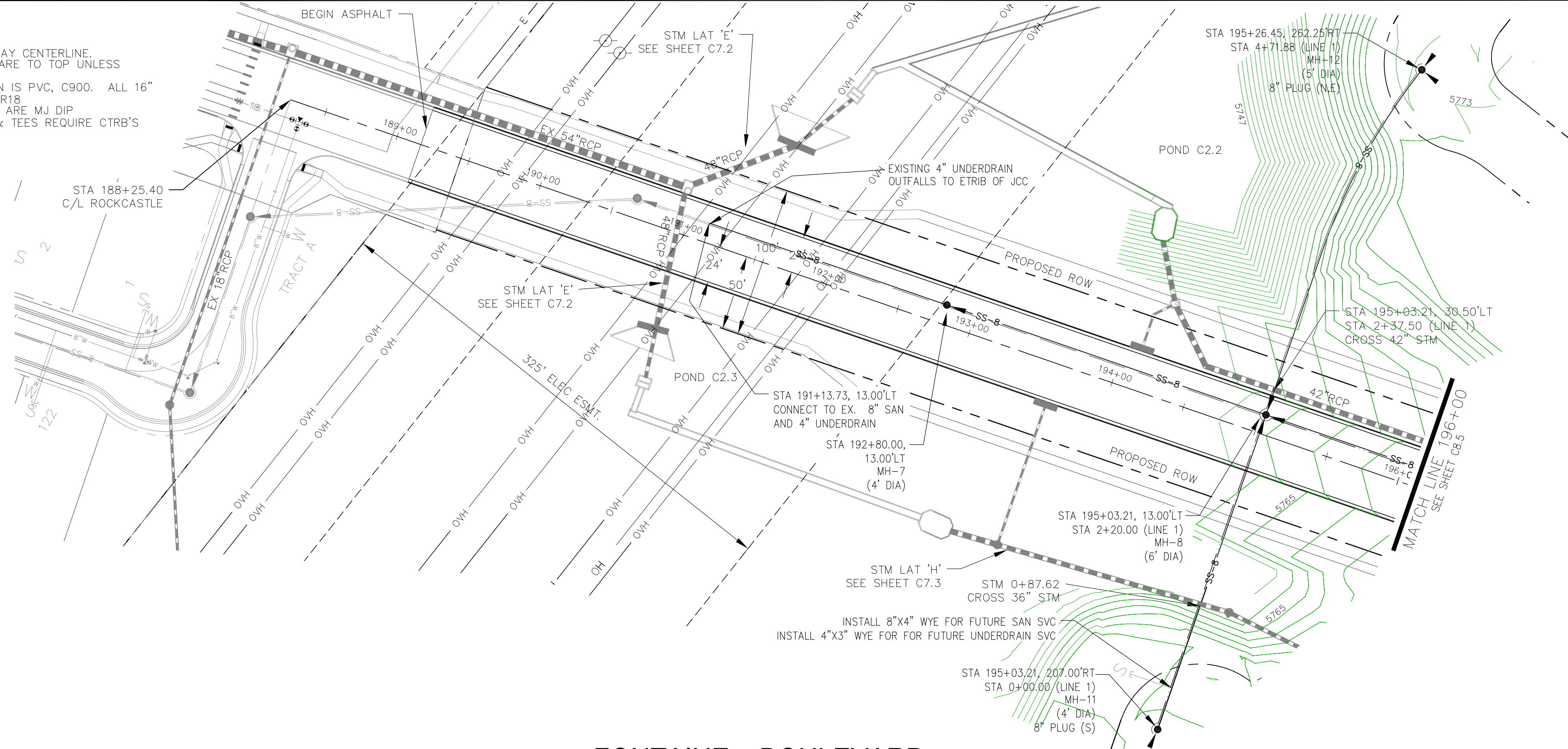
DRAWN: RLS
DESIGNED: RLS
CHECKED: RLS

WTM AND SANITARY PLAN/PROFILE
LORSON BOULEVARD
STA 117+00 TO STA 124+25

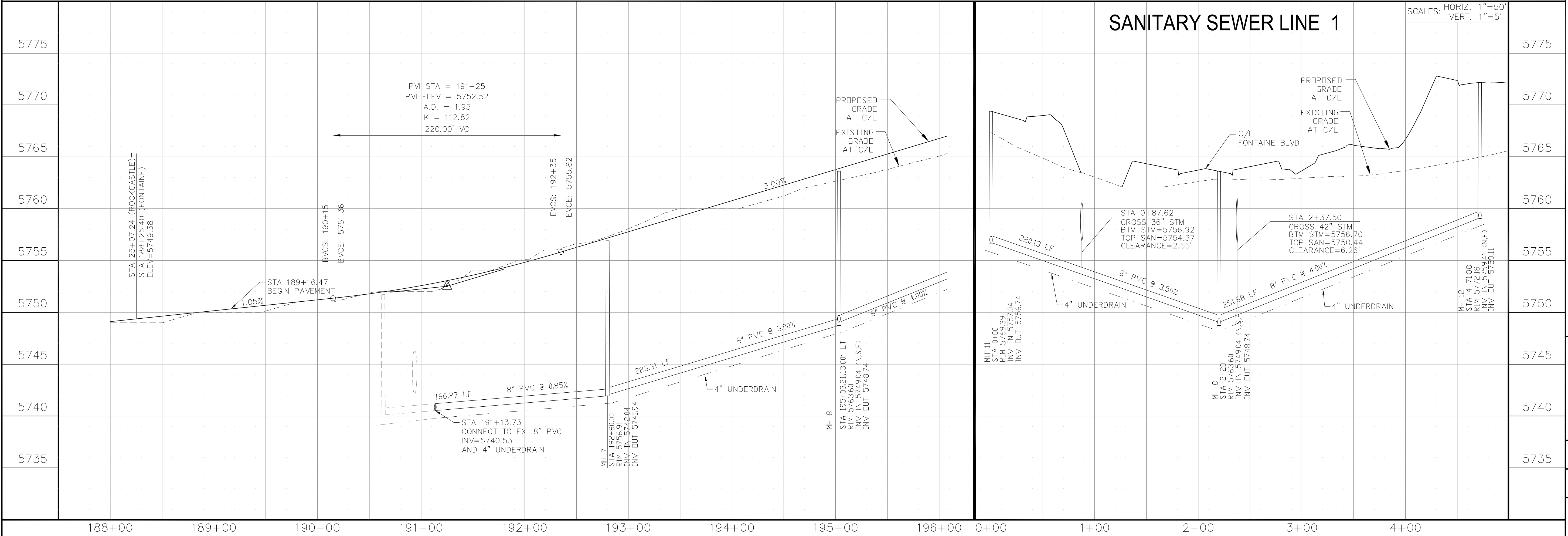
DATE: AUG 2, 2020
PROJECT NO: 100.061
SHEET NUMBER: C8.3
TOTAL SHEETS: 58

NOTES

1. STATIONING IS AT ROADWAY CENTERLINE.
2. WATERMAIN ELEVATIONS ARE TO TOP UNLESS NOTED OTHERWISE
3. ALL 8" & 12" WATERMAIN IS PVC, C900. ALL 16" WATERMAIN IS PVC, C905/DR18
4. ALL WATERMAIN FITTINGS ARE MJ DIP
5. ALL WATERMAIN BENDS & TEES REQUIRE CTRB'S



FONTAINE BOULEVARD



SANITARY SEWER LINE 1

SCALES: HORIZ. 1"=50'
VERT. 1"=5'

CORE ENGINEERING GROUP
15004 1ST AVENUE S.
PH: 719.570.5506
FAX: 719.570.1100
CONTACT: RICHARD L. SCHINDLER, P.E.
EMAIL: Rich@cegi.com

DATE: _____
DESCRIPTION: _____
NO: _____

PREPARED FOR:
LORSON, LLC
212 N. WAHSATCH AVE, SUITE 301
COLORADO SPRINGS, COLORADO 80903
CONTACT: JEFF MARK

PROJECT:
THE HILLS COLLECTOR STREET CONSTRUCTION
FONTAINE BLVD - GRAYLING DR
LORSON BLVD - WALLEYE DR - LAMPREY DR
COLORADO SPRINGS, COLORADO

DRAWN: RLS
DESIGNED: RLS
CHECKED: RLS

WTM & SANITARY PLAN/PROFILE
FONTAINE BOULEVARD
STA 189+16 TO STA 196+00

DATE:
AUG 2, 2020

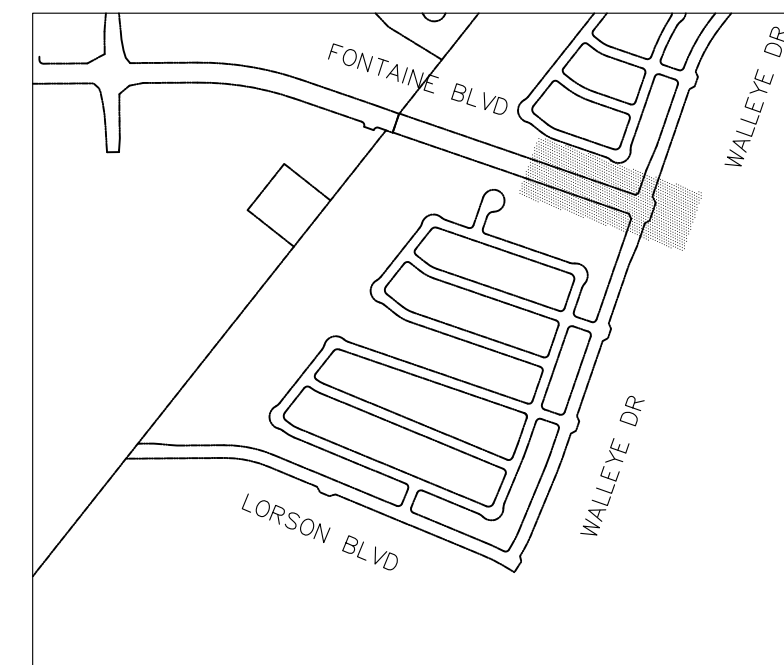
PROJECT NO.
100.061

SHEET NUMBER
C8.4

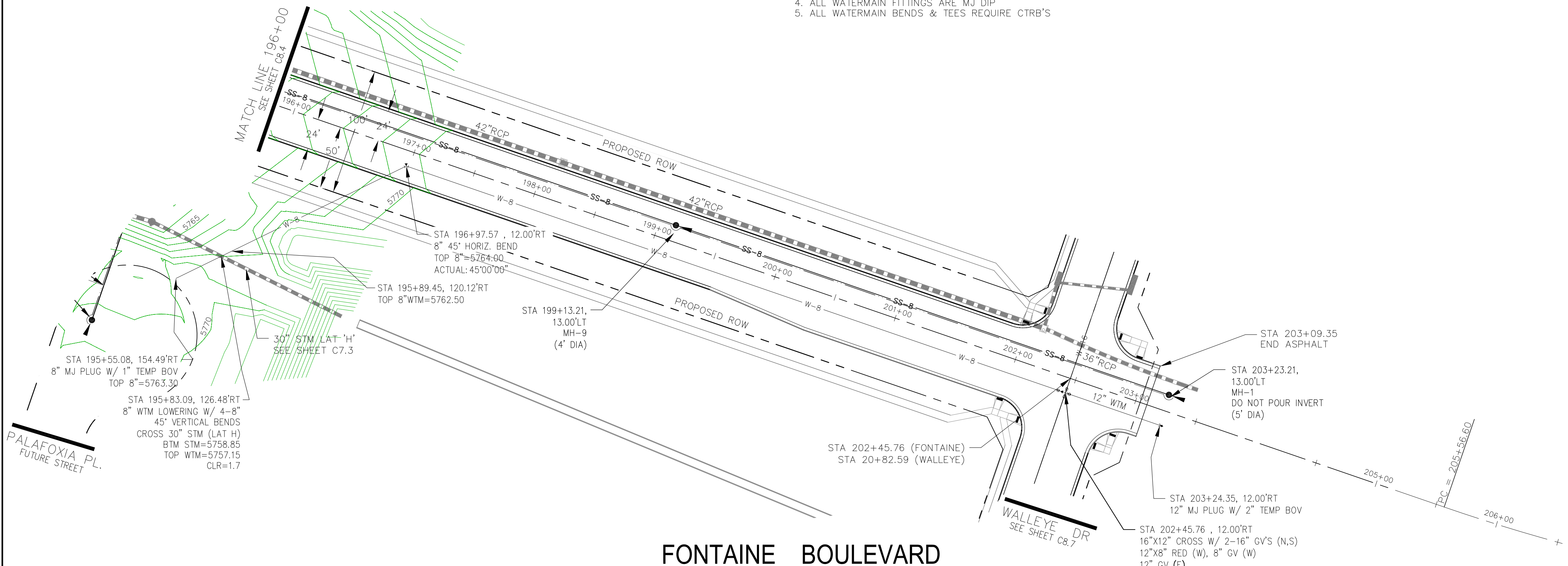
TOTAL SHEETS: 58

NOTES

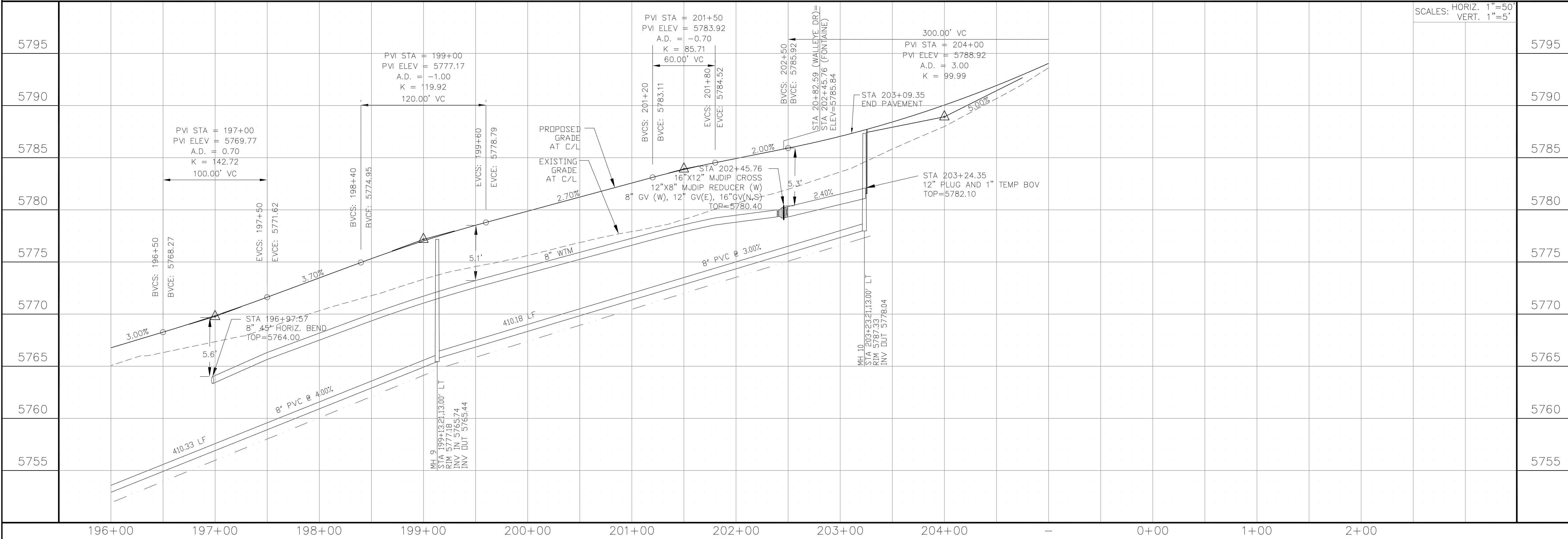
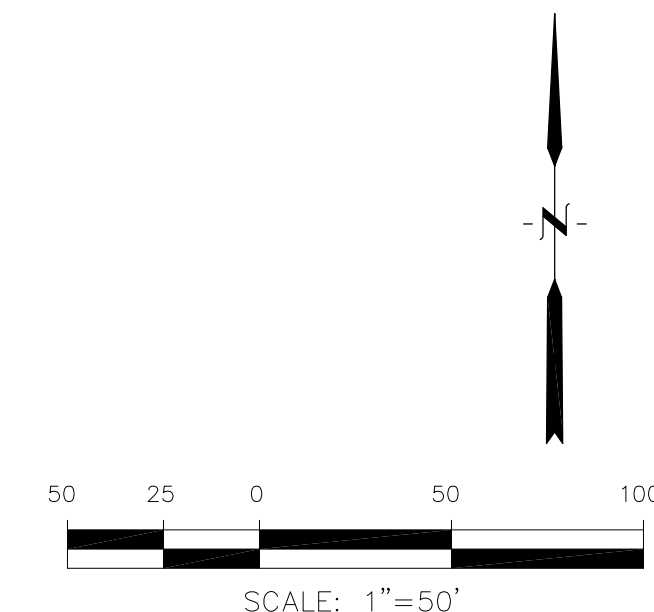
1. STATIONING IS AT ROADWAY CENTERLINE.
2. WATERMAIN ELEVATIONS ARE TO TOP UNLESS NOTED OTHERWISE.
3. ALL 8" & 12" WATERMAIN IS PVC, C900. ALL 16" WATERMAIN IS PVC, C905/DR18.
4. ALL WATERMAIN FITTINGS ARE MJ DIP.
5. ALL WATERMAIN BENDS & TEES REQUIRE CTRB'S



KEY MAP



FONTAINE BOULEVARD



CORE ENGINEERING GROUP
 15004 151ST AVENUE, SUITE 301
 FOUNTAINE BLVD, FOUNTAINE, CO 80903
 PH: 719.570.1100
 CONTACT: RICHARD L. SCHINDLER, P.E.
 EMAIL: Rich@ceg1.com

DATE: _____
 DESCRIPTION: _____
 NO: _____
 PREPARED FOR: **LORSON, LLC**
 212 N. WAHSATCH AVE, SUITE 301
 COLORADO SPRINGS, COLORADO 80903
 PROJECT: **THE HILLS COLLECTOR STREET CONSTRUCTION**
 FOUNTAINE BLVD - GRAYLING DR
 LORSON BLVD - WALLEYE DR - LAMPREY DR
 COLORADO SPRINGS, COLORADO
 CONTACT: JEFF MARK

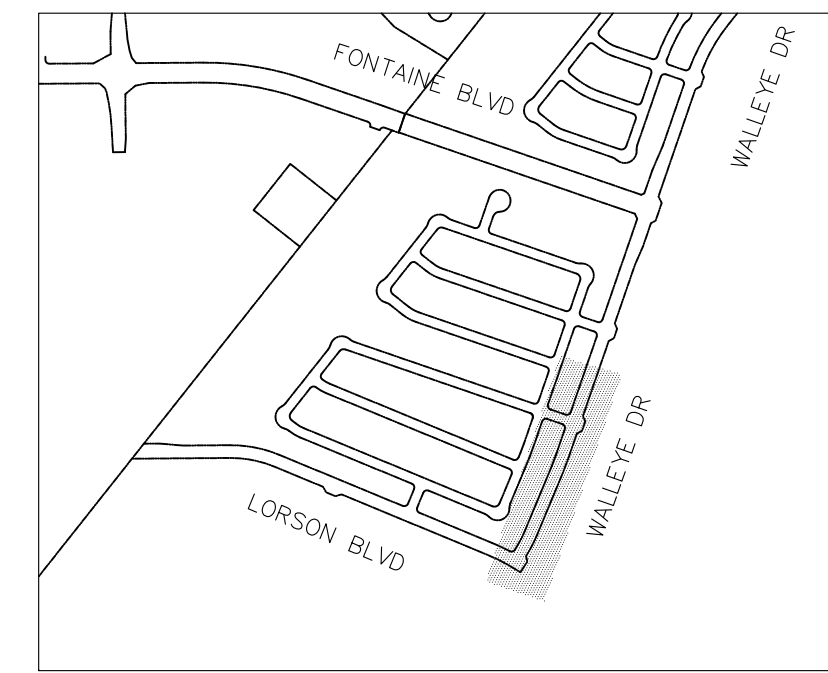
DRAWN: RLS
 DESIGNED: RLS
 CHECKED: RLS

WTM AND SANITARY PLAN/PROFILE
FONTAINE BOULEVARD
STA 196+00 TO STA 203+25

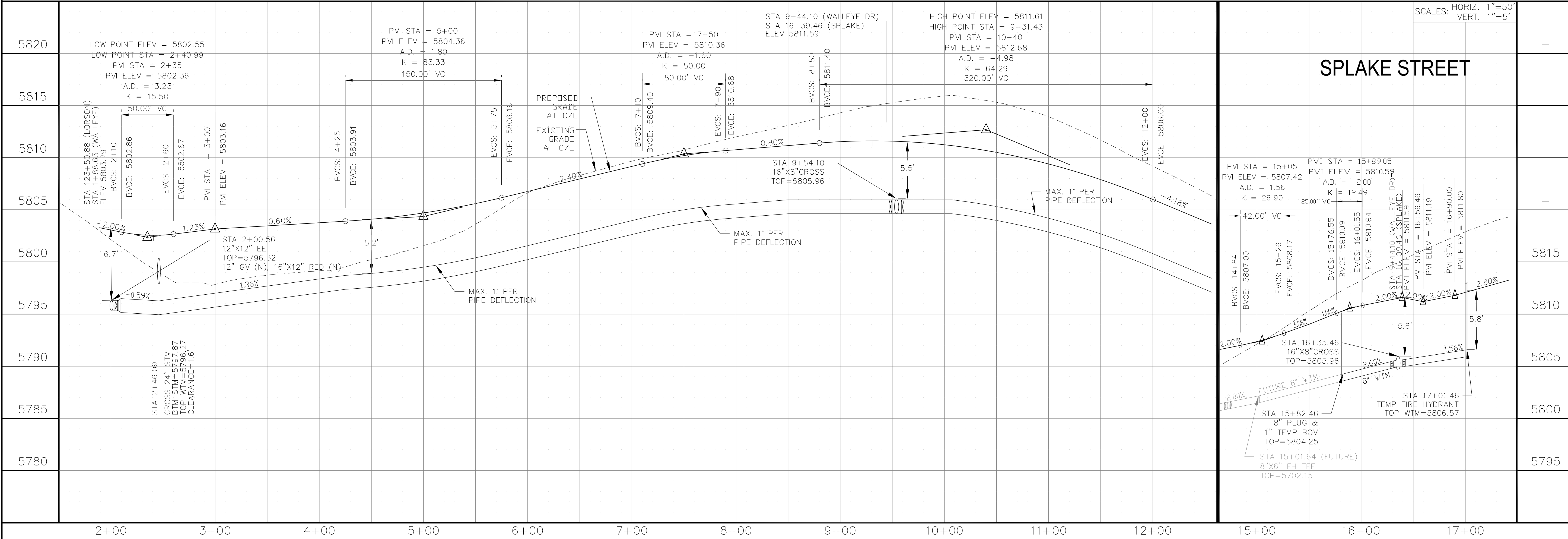
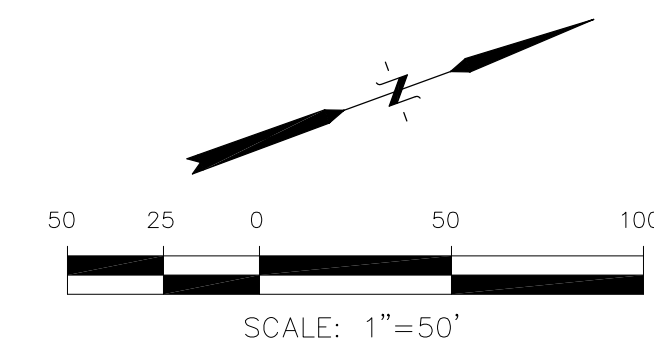
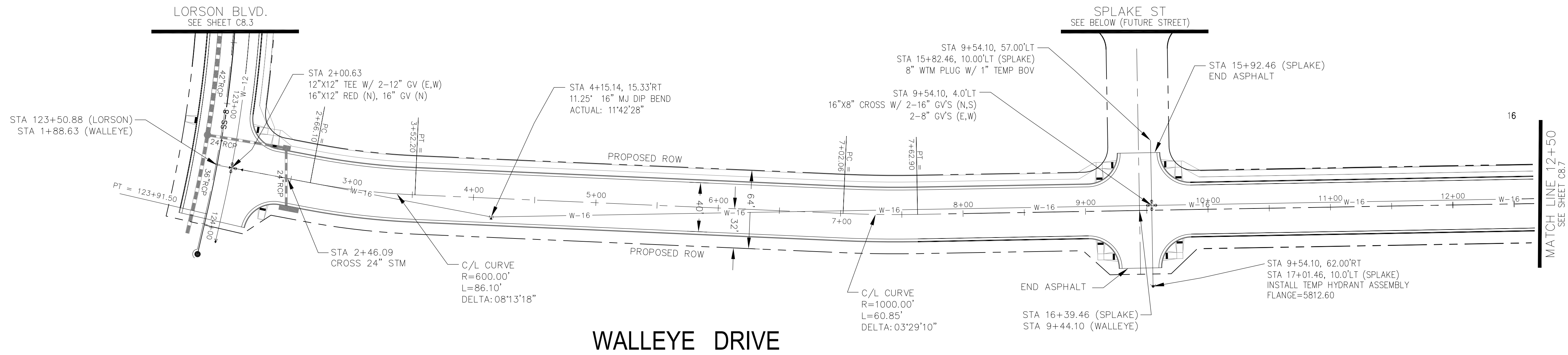
DATE: AUG 2, 2020
 PROJECT NO. 100.061
 SHEET NUMBER C8.5
 TOTAL SHEETS: 58

NOTES

1. STATIONING IS AT ROADWAY CENTERLINE.
2. WATERMAIN ELEVATIONS ARE TO TOP UNLESS NOTED OTHERWISE
3. ALL 8" & 12" WATERMAIN IS PVC, C900. ALL 16" WATERMAIN IS PVC, C905/DR18
4. ALL WATERMAIN FITTINGS ARE MJ DIP
5. ALL WATERMAIN BENDS & TEES REQUIRE CTRB'S



KEY MAP



CORE ENGINEERING GROUP
 15004 151st Avenue S.
 Littleton, CO 80120
 PH: 719.570.1100
 CONTACT: RICHARD L. SCHINDLER, P.E.
 EMAIL: Rich@ceg1.com

DATE: _____
 NO: _____
 DESCRIPTION: _____

PREPARED FOR:
LORSON, LLC
 212 N. WAHSATCH AVE, SUITE 301
 COLORADO SPRINGS, COLORADO 80903
 CONTACT: JEFF MARK

PROJECT:
THE HILLS COLLECTOR STREET CONSTRUCTION
 FONTAINE BLVD - GRAYLING DR
 LORSON BLVD - WALLEYE DR - LAMPREY DR
 COLORADO SPRINGS, COLORADO

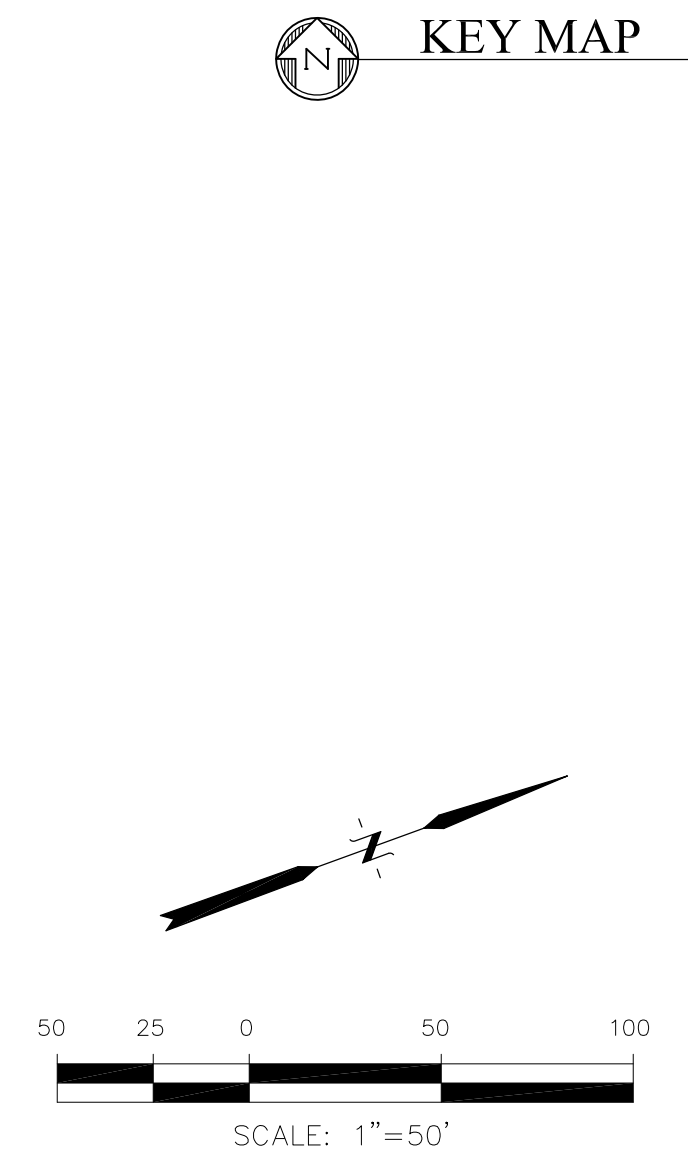
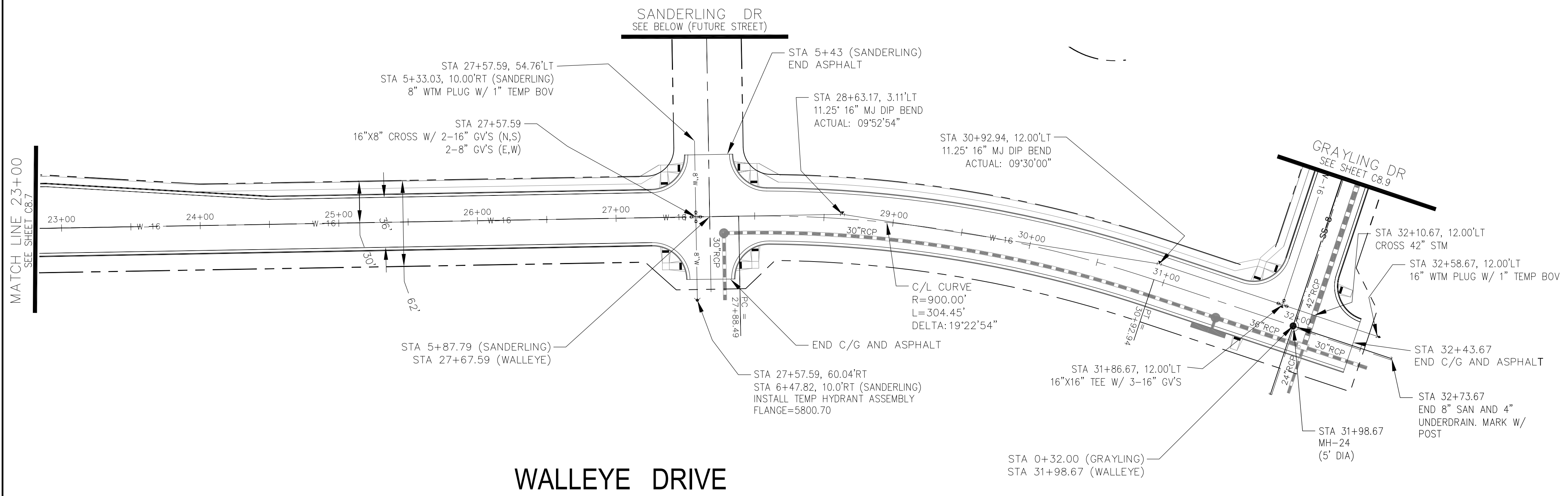
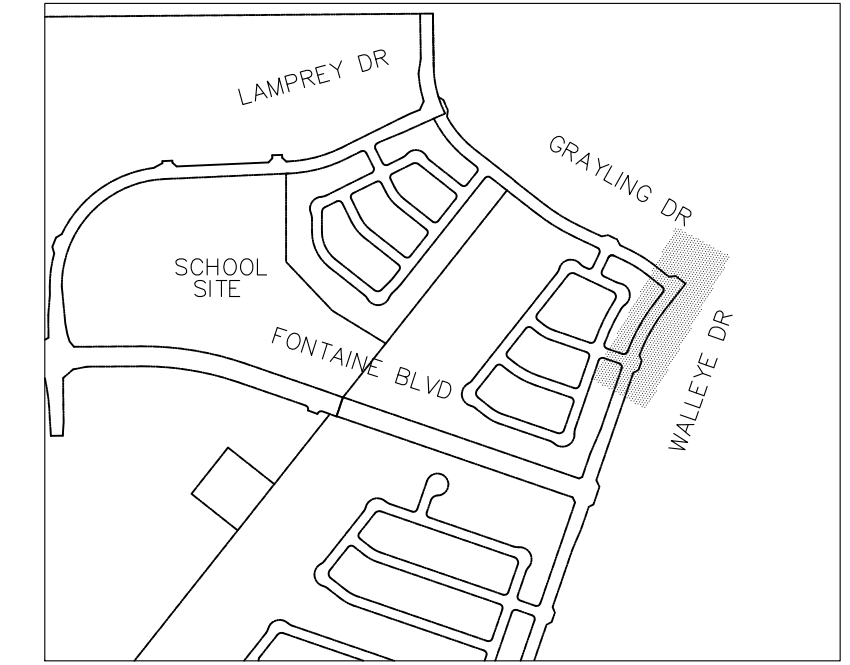
DRAWN: RLS
 DESIGNED: RLS
 CHECKED: RLS

WTM AND SANITARY PLAN/PROFILE
WALLEYE DR & SPLAKE ST
STA 2+00 TO STA 12+50

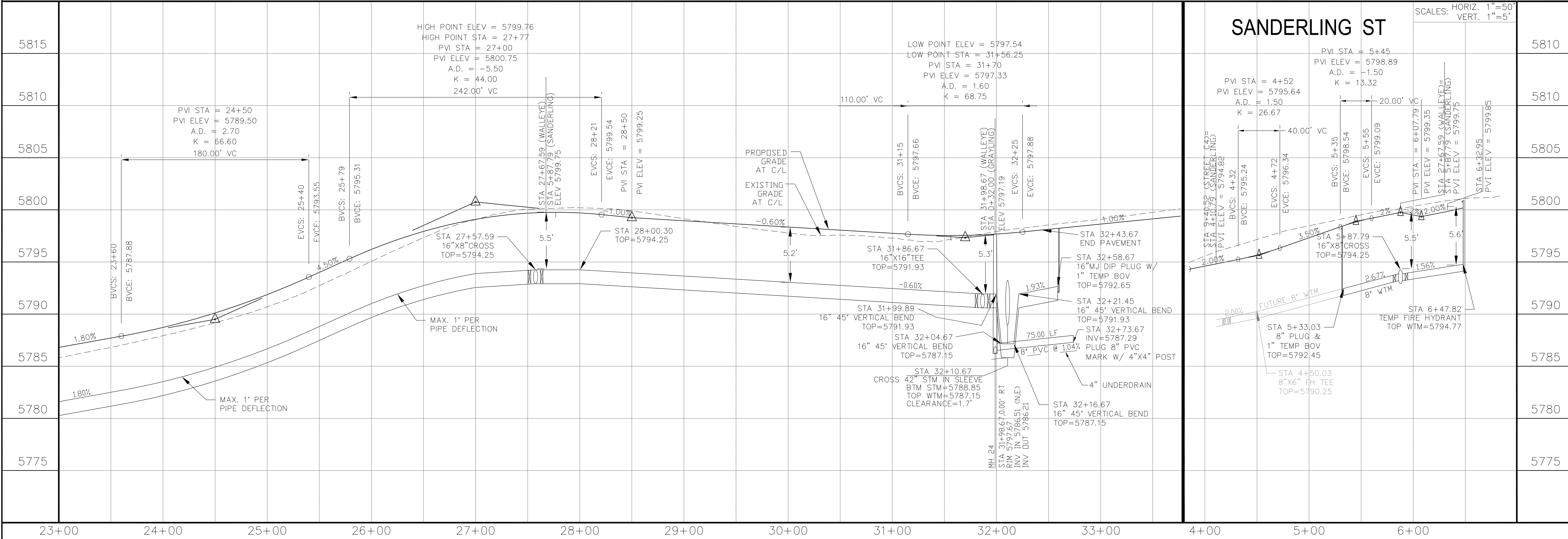
DATE: AUG 2, 2020
 PROJECT NO: 100.061
 SHEET NUMBER: C8.6
 TOTAL SHEETS: 58

NOTES

1. STATIONING IS AT ROADWAY CENTERLINE.
2. WATERMAIN ELEVATIONS ARE TO TOP UNLESS NOTED OTHERWISE
3. ALL 8" & 12" WATERMAIN IS PVC, C900. ALL 16" WATERMAIN IS PVC, C905/DR18
4. ALL WATERMAIN FITTINGS ARE MJ DIP
5. ALL WATERMAIN BENDS & TEES REQUIRE CTRB'S



WALLEYE DRIVE



CORE ENGINEERING GROUP
 15004 151ST AVENUE S.
 FORT COLLINS, CO 80506
 PH: 970.570.1100
 CONTACT: RICHARD L. SCHINDLER, P.E.
 EMAIL: Rich@ceg1.com

DATE: _____
 DESCRIPTION: _____
 NO: _____
 DRAWN: RLS
 DESIGNED: RLS
 CHECKED: RLS

PROJECT FOR:
THE HILLS COLLECTOR
STREET CONSTRUCTION
 212 N. WAHSATCH AVE, SUITE 301
 COLORADO SPRINGS, COLORADO 80903
 (719) 635-3200
 CONTACT: JEFF MARK

WTM AND SANITARY PLAN/PROFILE
WALLEYE DR & SANDERLING ST
STA 23+00 TO STA 32+75

DATE:
 AUG 2, 2020

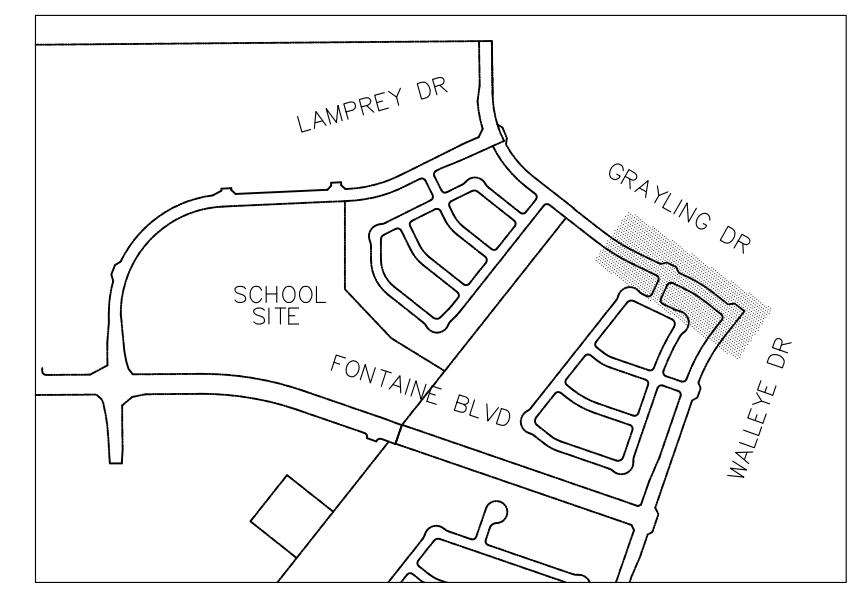
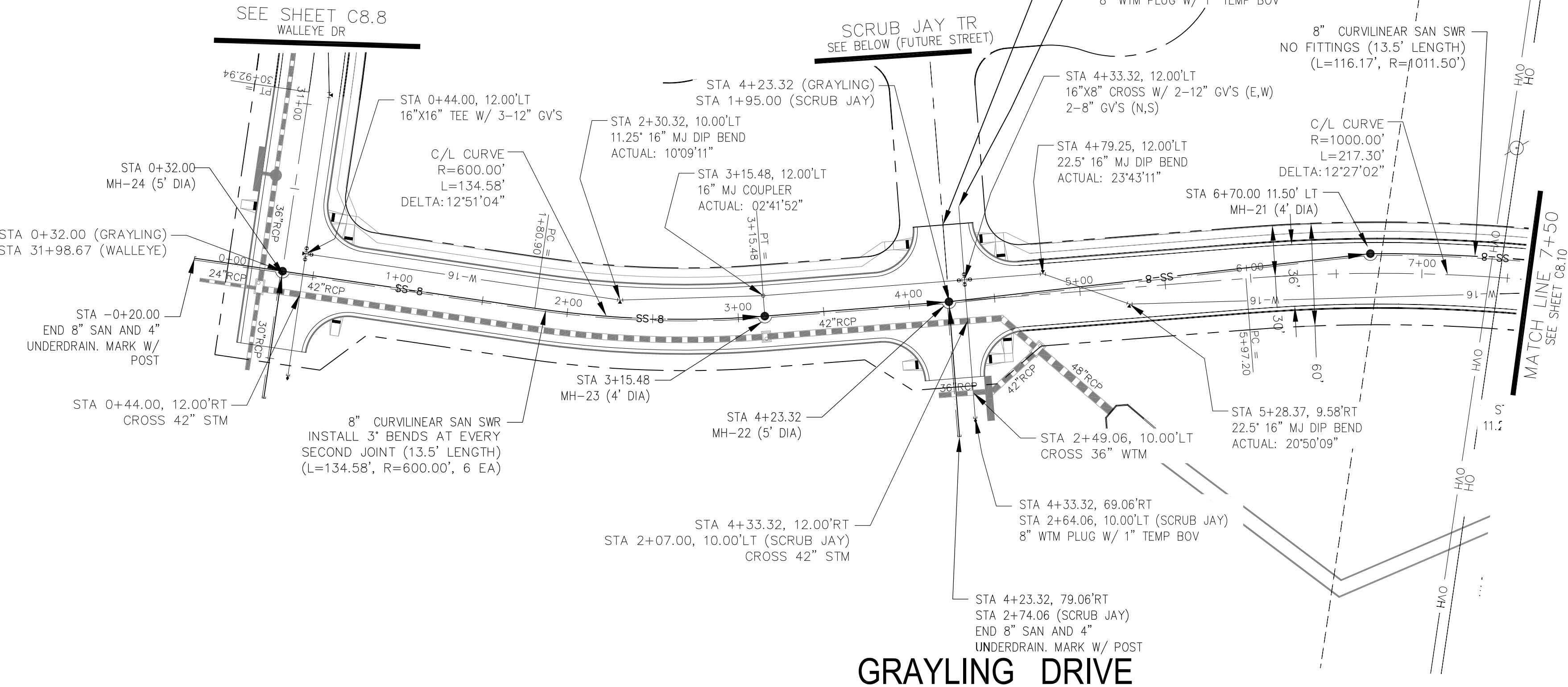
PROJECT NO.
 100.061

SHEET NUMBER
C8.8

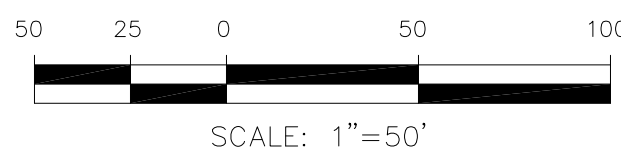
TOTAL SHEETS: 58

NOTES

1. STATIONING IS AT ROADWAY CENTERLINE.
2. WATERMAIN ELEVATIONS ARE TO TOP UNLESS NOTED OTHERWISE.
3. ALL 8" & 12" WATERMAIN IS PVC, C900. ALL 16" WATERMAIN IS PVC, C905/DR18.
4. ALL WATERMAIN FITTINGS ARE MJ DIP.
5. ALL WATERMAIN BENDS & TEES REQUIRE CTRB'S



KEY MAP



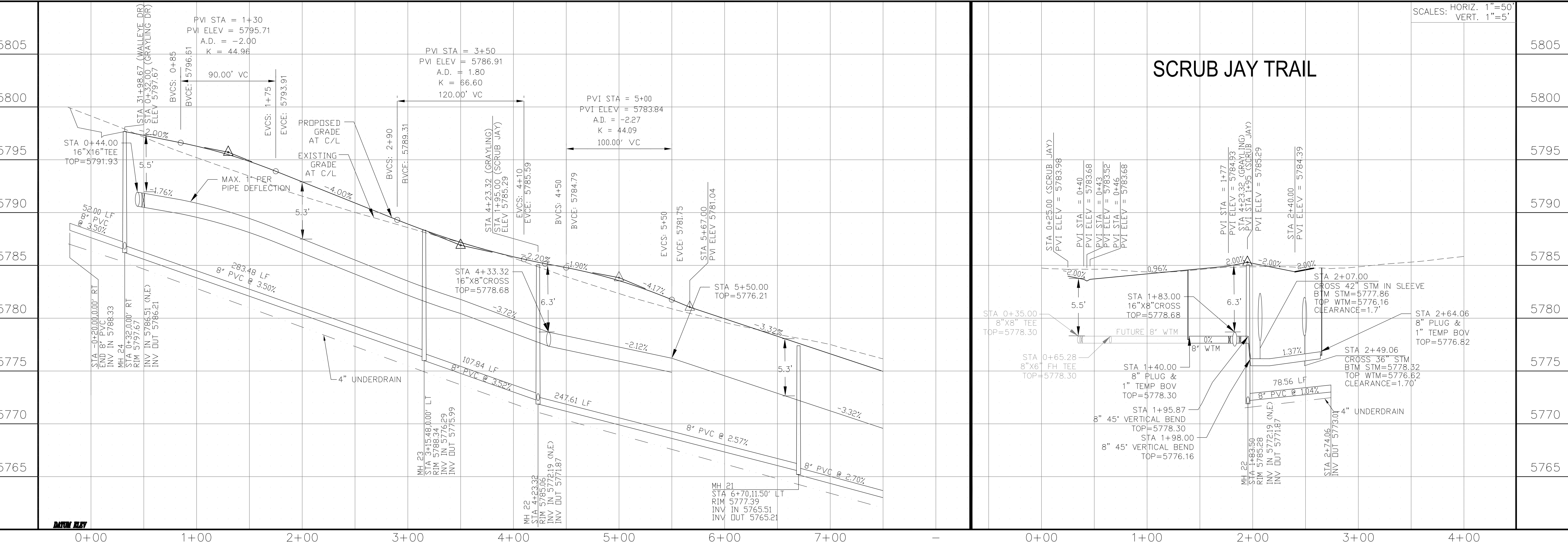
CORE ENGINEERING GROUP
 15004 151st AVENUE S.
 PHOENIX, AZ 85006
 PH: 719.570.1100
 CONTACT: RICHARD L. SCHINDLER, P.E.
 EMAIL: Rich@ceg1.com

DATE: _____
 DESCRIPTION: _____
 NO: _____
 PREPARED FOR: **LORSON, LLC**
 212 N. WAHSATCH AVE, SUITE 301
 COLORADO SPRINGS, COLORADO 80903
 PROJECT: **THE HILLS COLLECTOR STREET CONSTRUCTION**
 FONTAINE BLVD - GRAYLING DR
 LORSON BLVD - WALLEYE DR - LAMPREY DR
 COLORADO SPRINGS, COLORADO
 CONTACT: JEFF MARK

DRAWN: RLS
 DESIGNED: RLS
 CHECKED: RLS

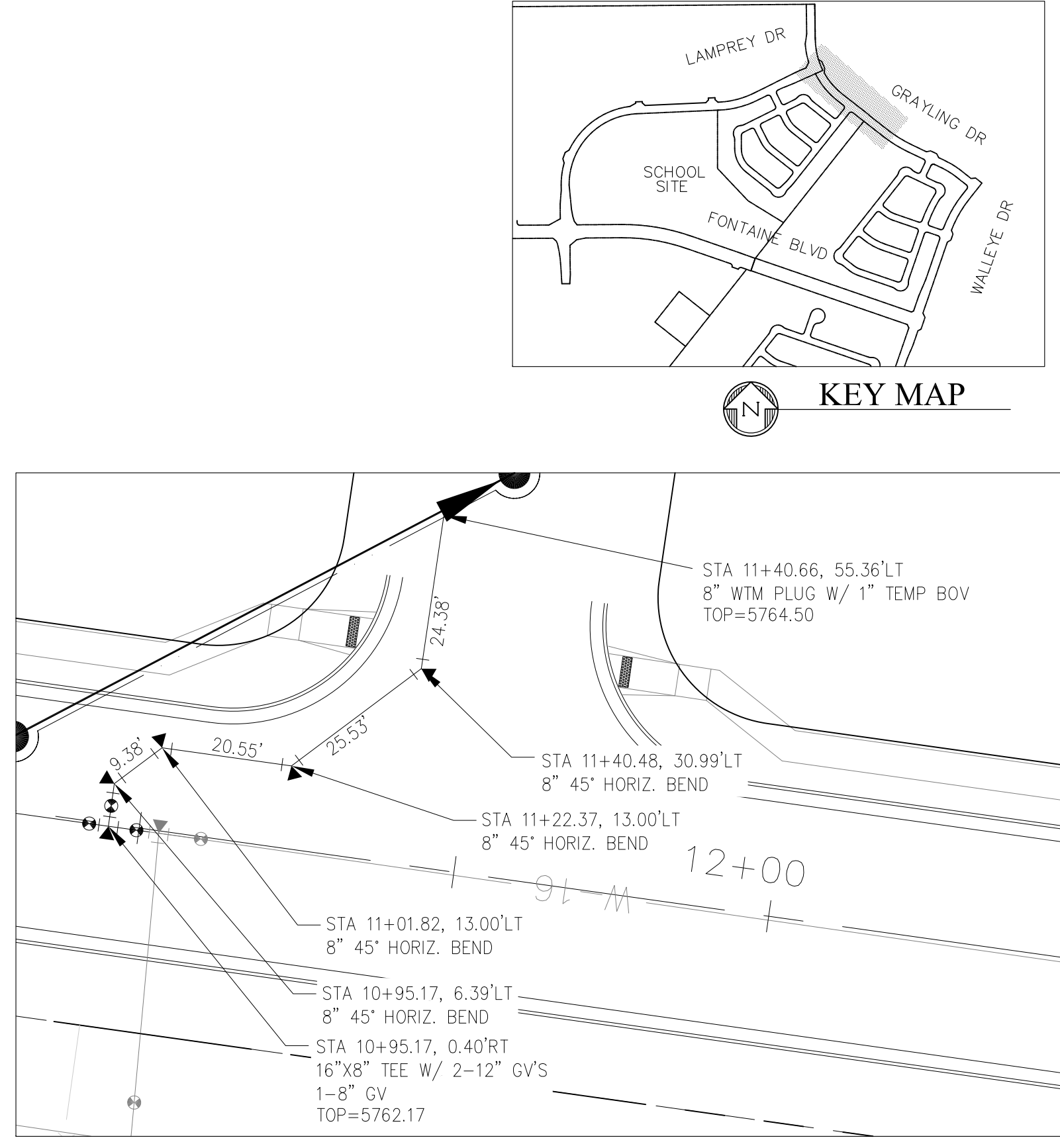
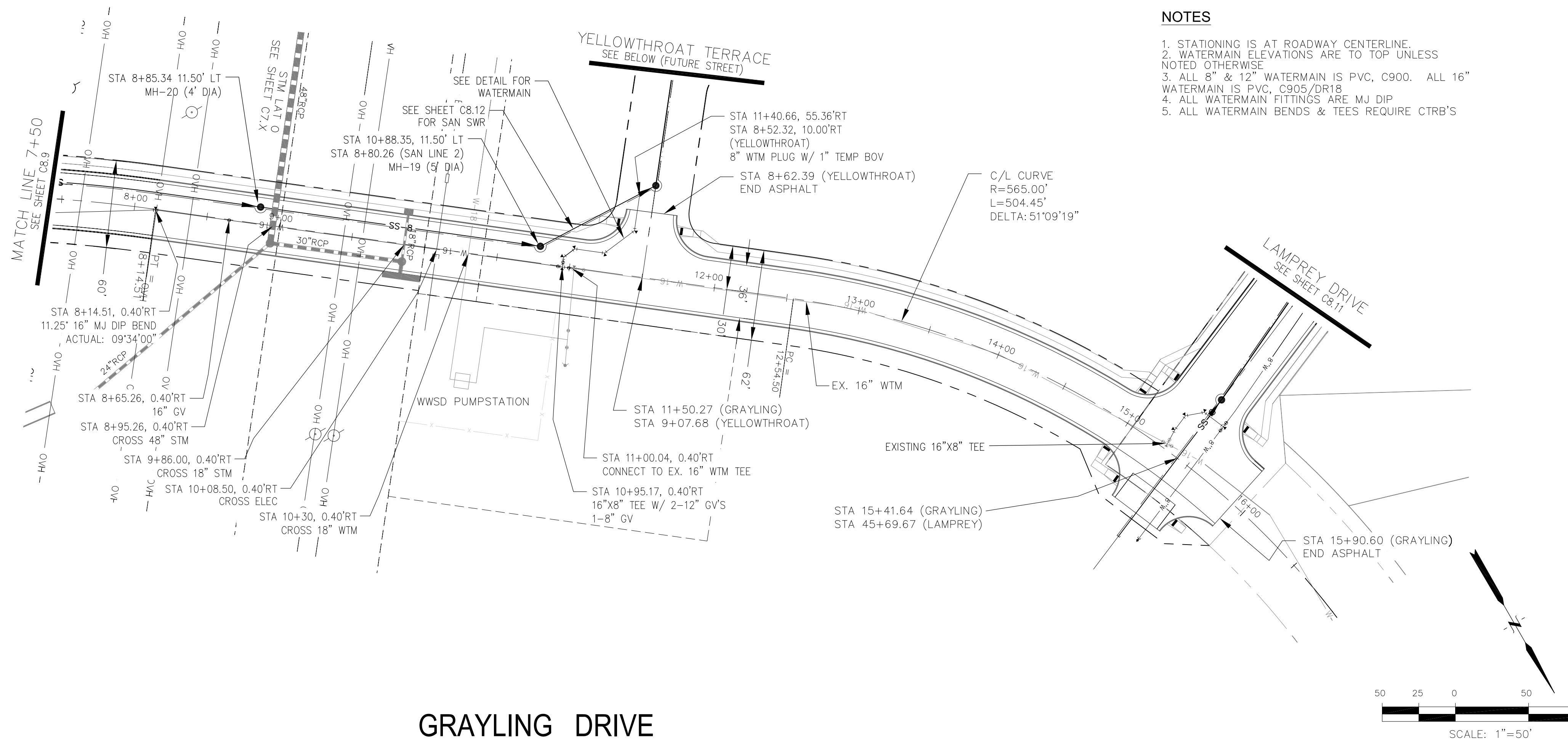
GRAYLING DRIVE

SCRUB JAY TRAIL

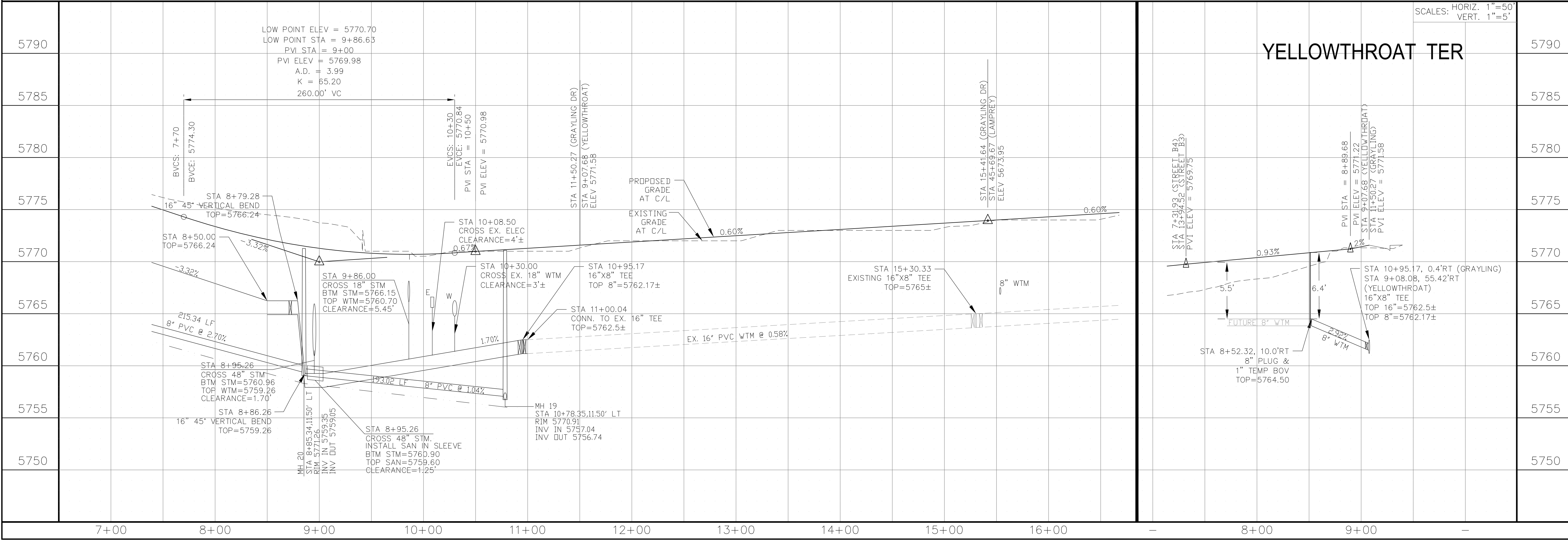
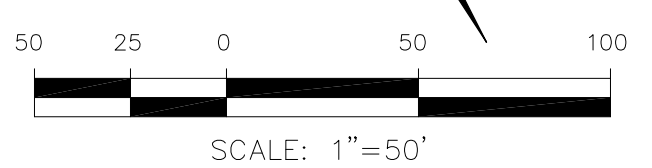
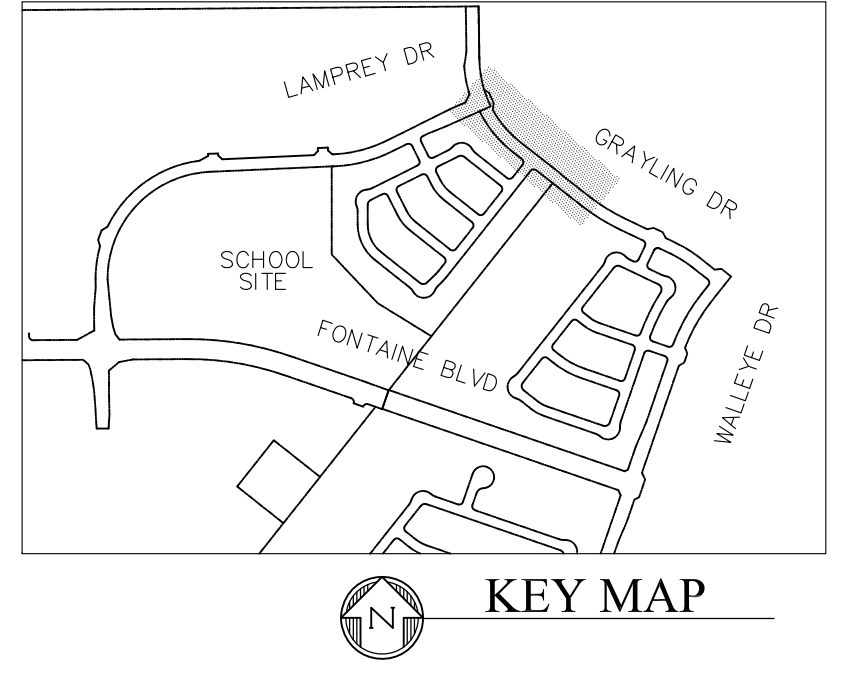


WTM AND SANITARY PLAN/PROFILE
GRAYLING DR & SCRUB JAY TR
STA 0+00 TO STA 7+50

DATE: AUG 2, 2020
 PROJECT NO: 100.061
 SHEET NUMBER: C8.9
 TOTAL SHEETS: 58



- NOTES**
1. STATIONING IS AT ROADWAY CENTERLINE.
 2. WATERMAIN ELEVATIONS ARE TO TOP UNLESS NOTED OTHERWISE.
 3. ALL 8" & 12" WATERMAIN IS PVC, C900. ALL 16" WATERMAIN IS PVC, C905/DR18.
 4. ALL WATERMAIN FITTINGS ARE MJ DIP.
 5. ALL WATERMAIN BENDS & TEES REQUIRE CTRB'S.



CORE ENGINEERING GROUP
 15004 151ST AVENUE, SUITE 300
 P.O. BOX 719, SPRINGFIELD, CO 80903
 CONTACT: RICHARD L. SCHINDLER, P.E.
 EMAIL: Rich@ceg1.com

DATE: _____
 DESCRIPTION: _____
 NO: _____

PREPARED FOR: **LORSON, LLC**
 212 N. WAHSATCH AVE, SUITE 301
 COLORADO SPRINGS, COLORADO 80903
 CONTACT: JEFF MARK

PROJECT: **THE HILLS COLLECTOR STREET CONSTRUCTION**
 FONTAINE BLVD - GRAYLING DR
 LORSON BLVD - WALLEYE DR - LAMPREY DR
 COLORADO SPRINGS, COLORADO

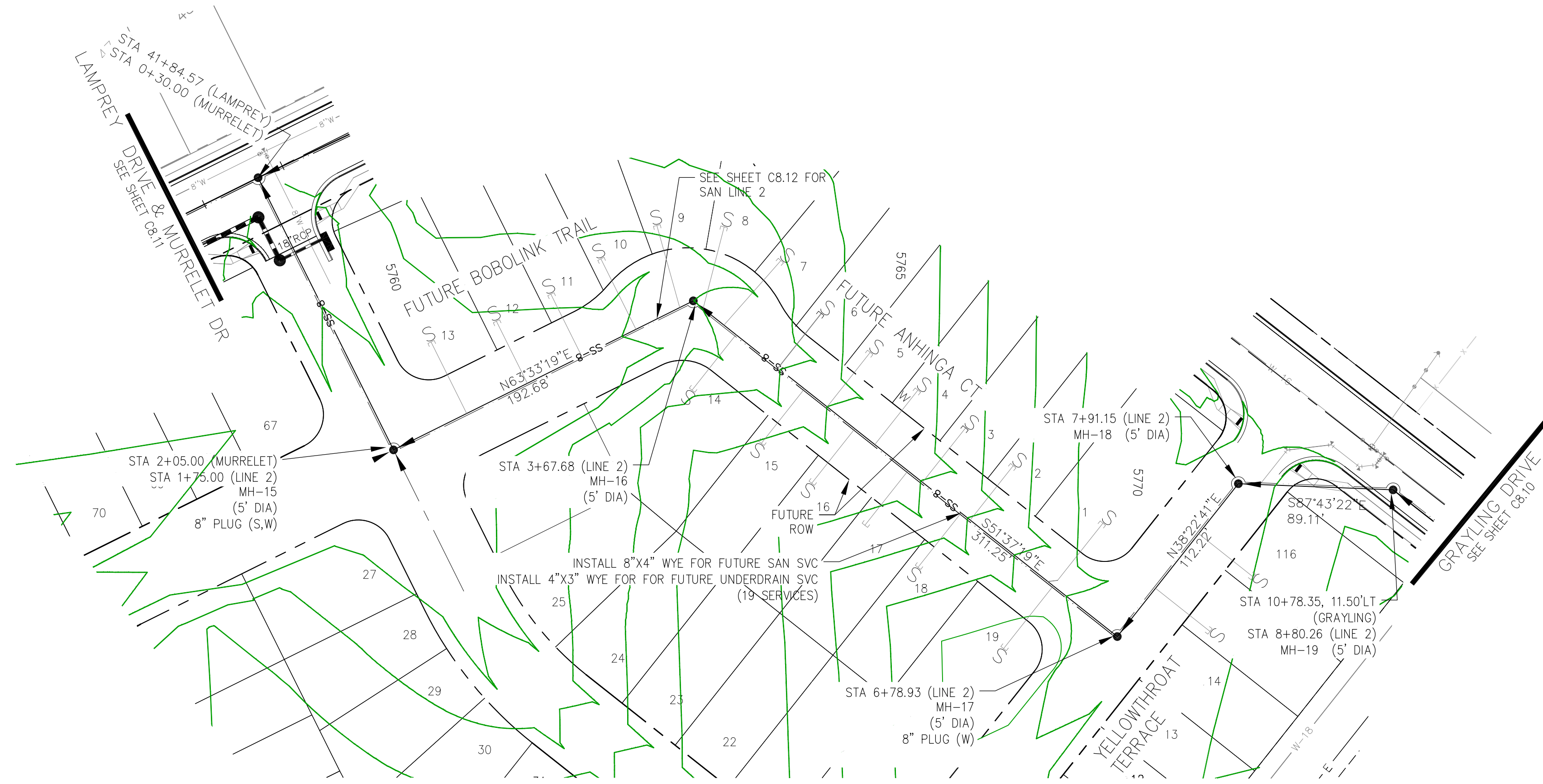
DRAWN: RLS
 DESIGNED: RLS
 CHECKED: RLS

WTM AND SANITARY PLAN/PROFILE
GRAYLING DR & YELLOWTHROAT TER.
STA 7+50 TO STA 16+00

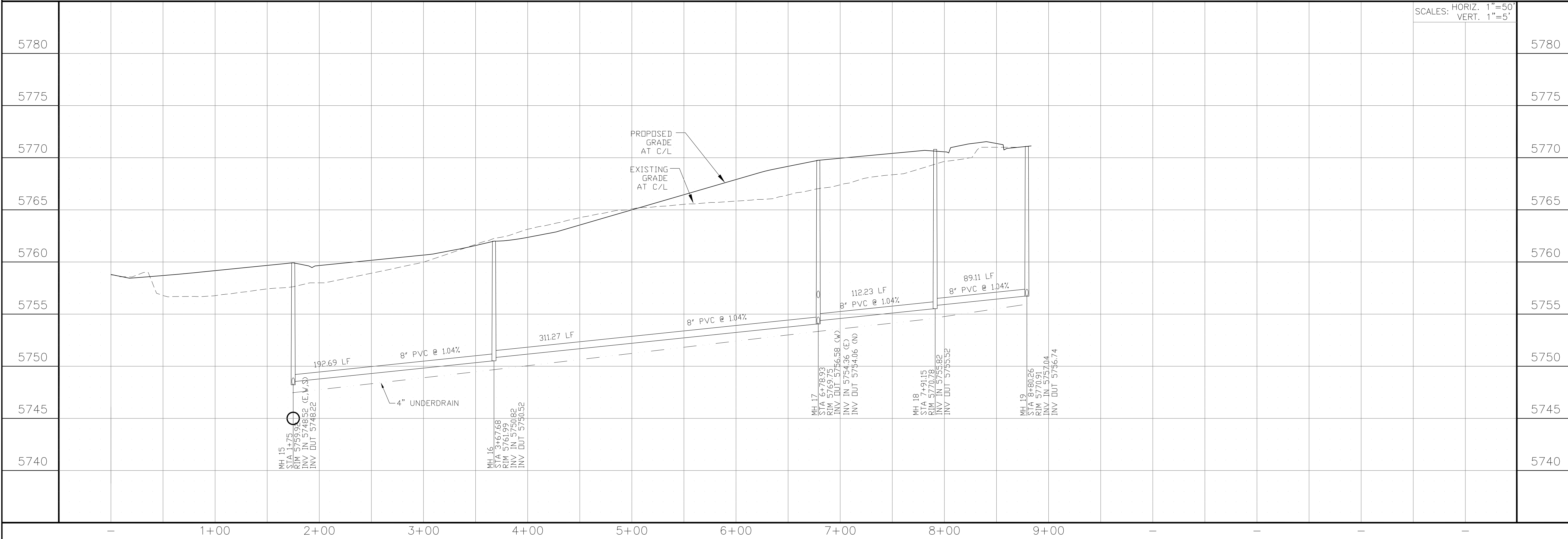
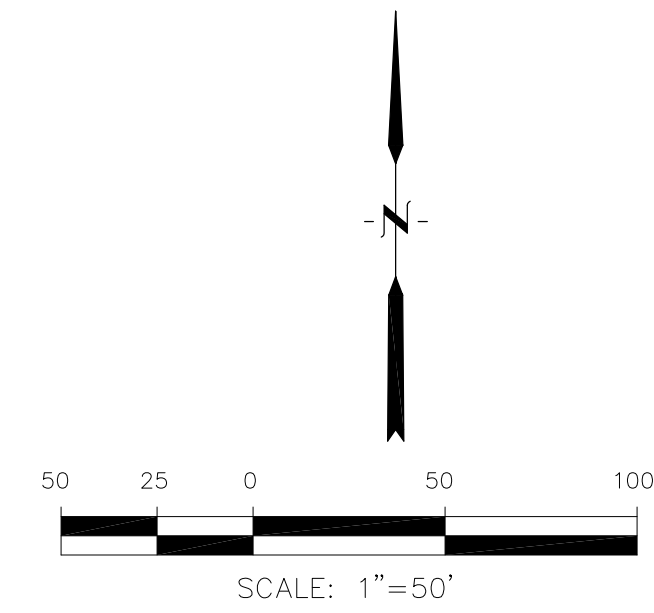
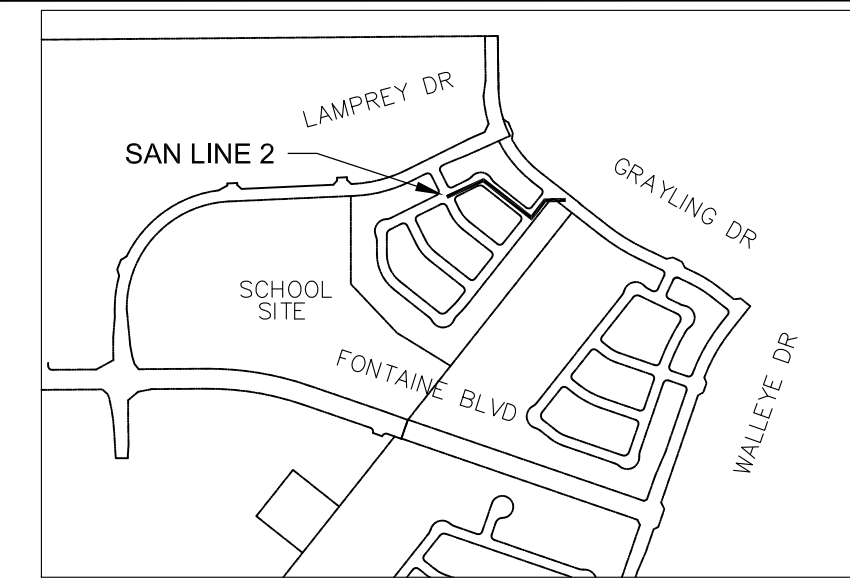
DATE: AUG 27, 2020
 PROJECT NO: 100.061
 SHEET NUMBER: C8.10
 TOTAL SHEETS: 58

NOTES

1. STATIONING IS AT ROADWAY CENTERLINE.
2. WATERMAIN ELEVATIONS ARE TO TOP UNLESS NOTED OTHERWISE
3. ALL 8" & 12" WATERMAIN IS PVC, C900. ALL 16" WATERMAIN IS PVC, C905/DR18
4. ALL WATERMAIN FITTINGS ARE MJ DIP
5. ALL WATERMAIN BENDS & TEES REQUIRE CTRB'S



SAN SWR LINE 2



SCALES: HORIZ. 1"=50'
VERT. 1"=5'

CORE ENGINEERING GROUP
15004 1ST AVENUE S.
PH: 719.570.5506
CONTACT: RICHARD L. SCHINDLER, P.E.
EMAIL: Rich@ceg1.com

DATE: _____
DESCRIPTION: _____
NO: _____
DRAWN: RLS
DESIGNED: RLS
CHECKED: RLS

PREPARED FOR:
LORSON, LLC
212 N. WAHSATCH AVE, SUITE 301
COLORADO SPRINGS, COLORADO 80903
CONTACT: JEFF MARK

PROJECT:
THE HILLS COLLECTOR STREET CONSTRUCTION
FONTAINE BLVD - GRAYLING DR
LORSON BLVD - WALLEYE DR - LAMPREY DR
COLORADO SPRINGS, COLORADO

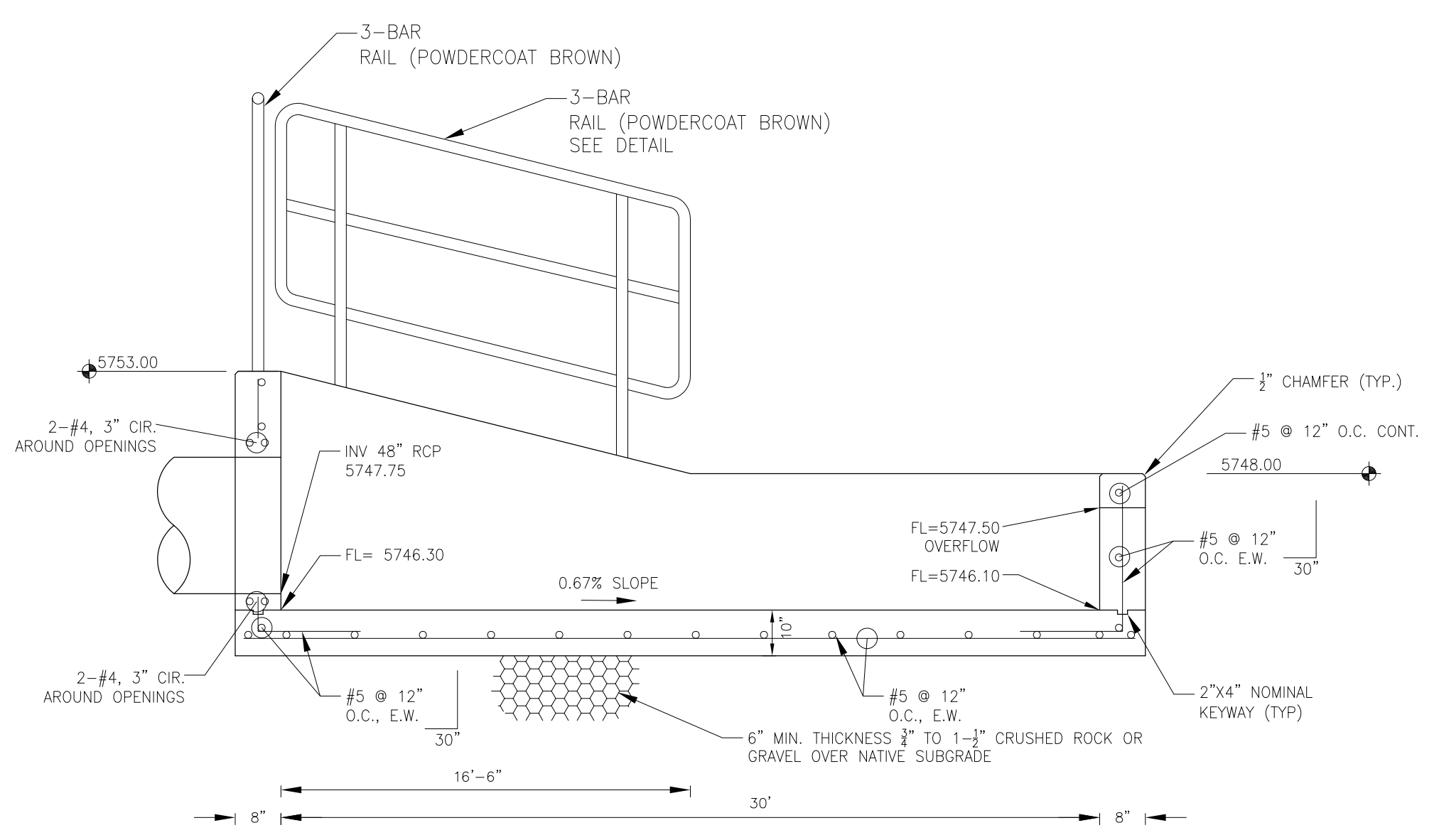
SANITARY SEWER PLAN/PROFILE
LINE 2
STA 1+75 TO STA 8+80

DATE:
AUG 2, 2020

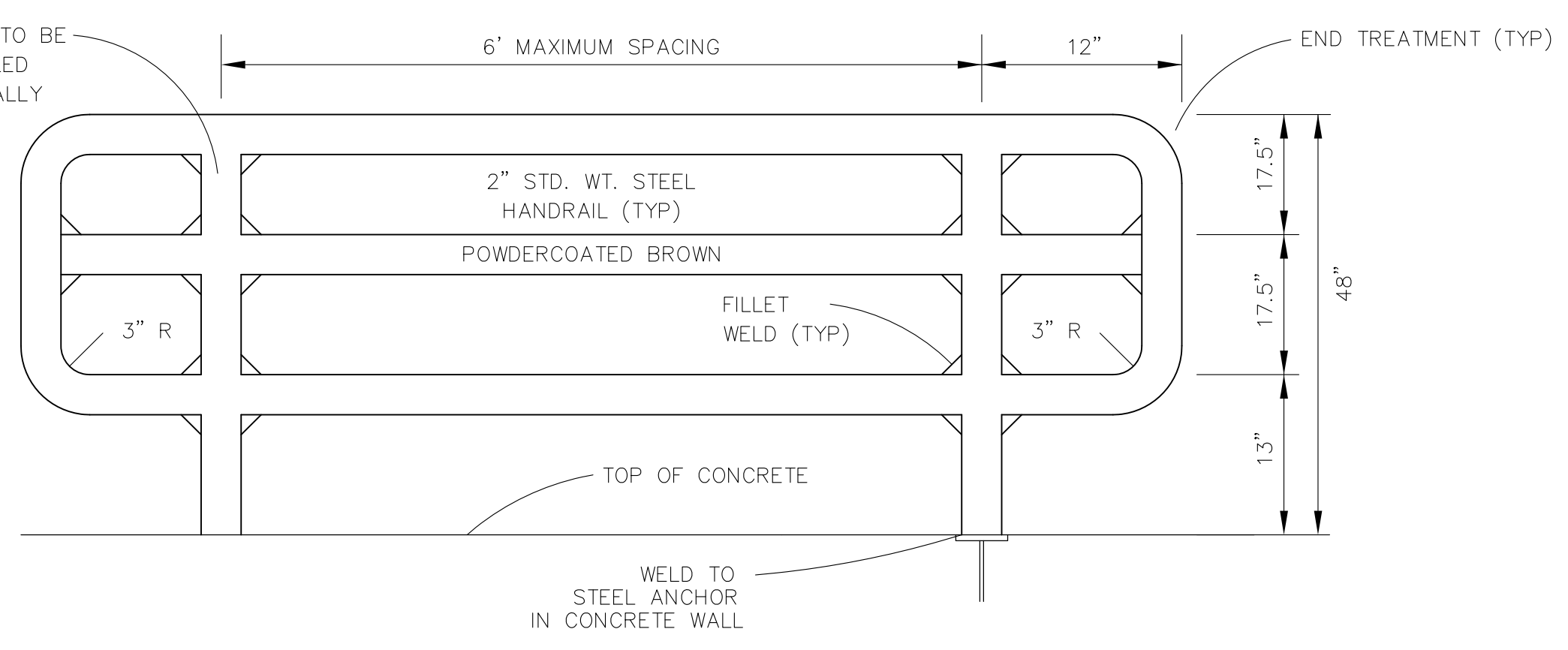
PROJECT NO.
100.061

SHEET NUMBER
C8.12

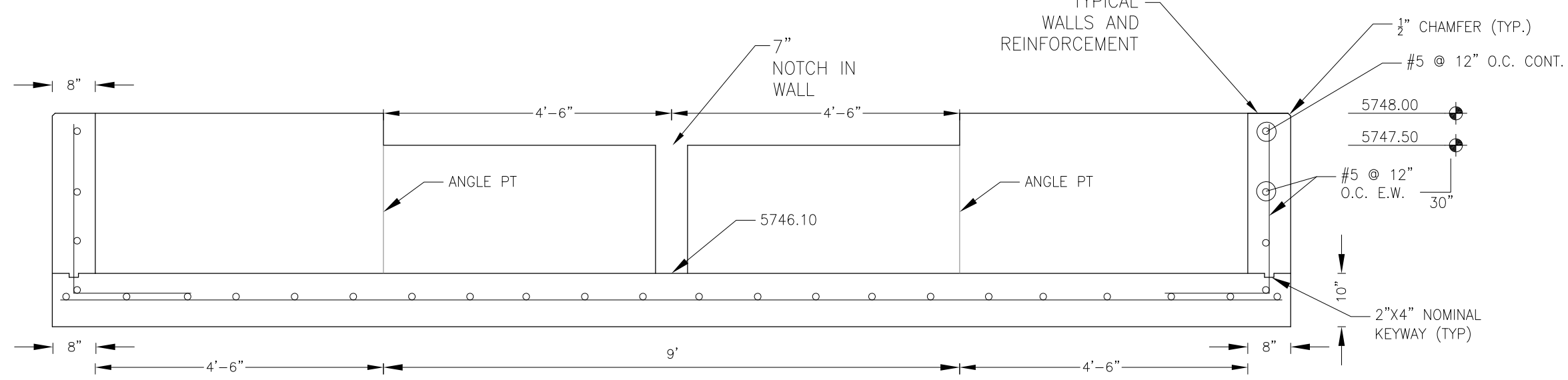
TOTAL SHEETS: 58



FOREBAY SECTION A-A
 NO SCALE

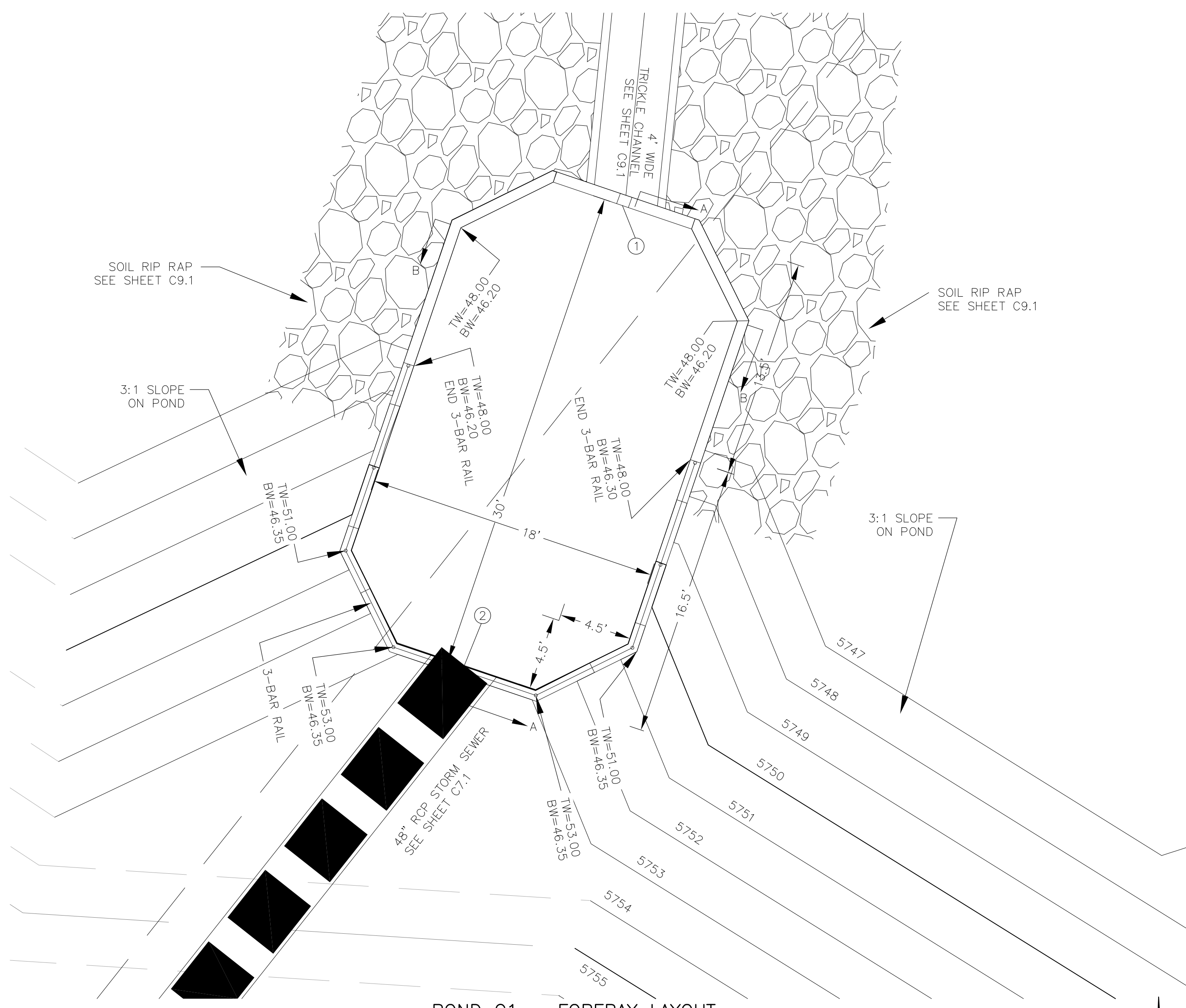


3-BAR RAIL DETAIL
 NO SCALE



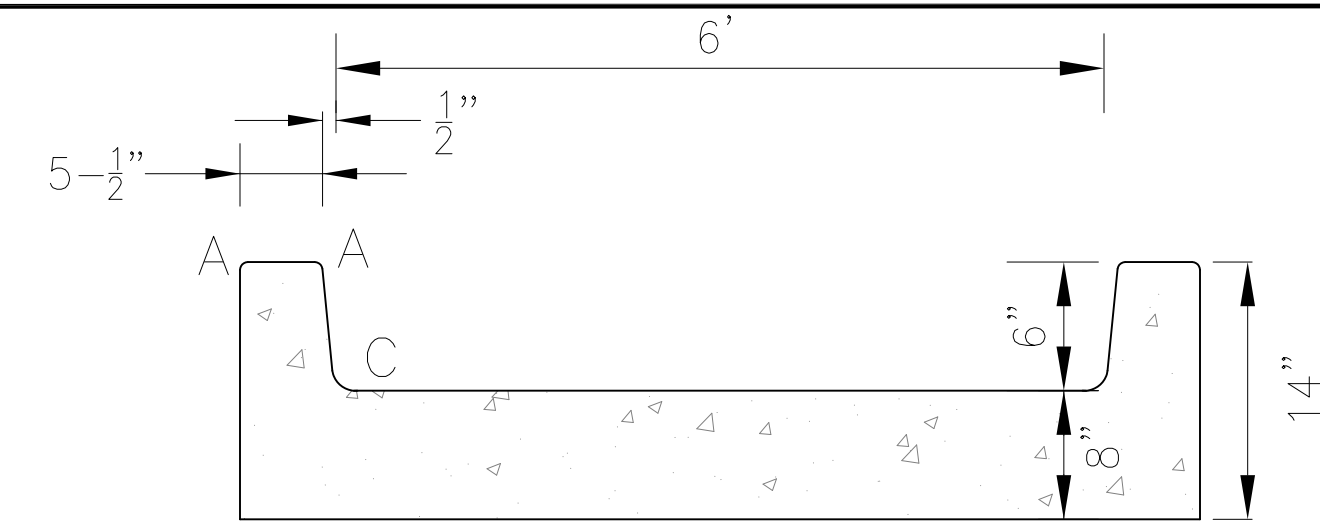
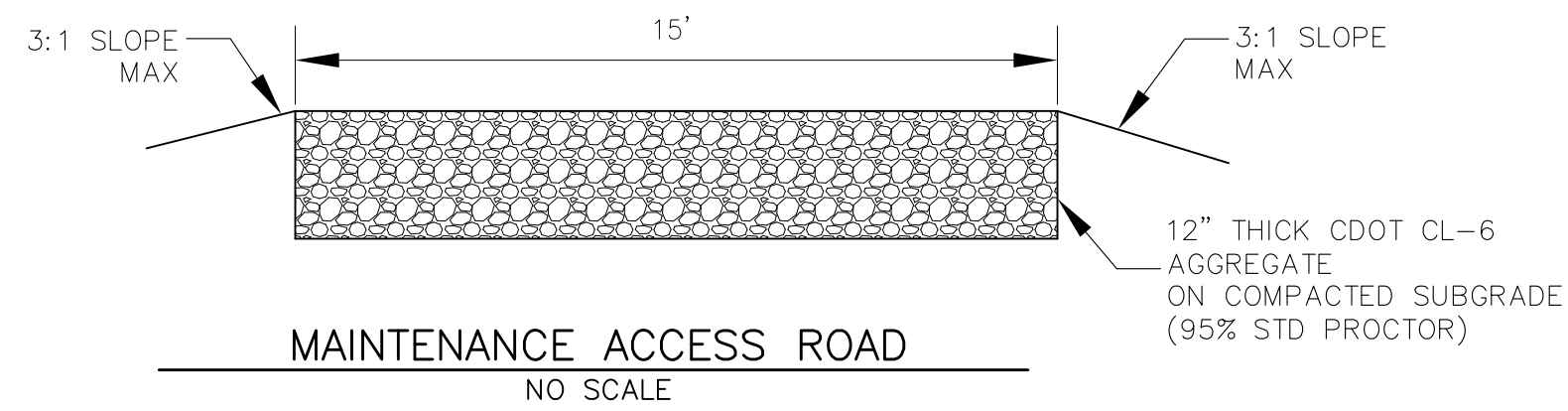
FOREBAY SECTION B-B
 NO SCALE

NOTE: ALL CONCRETE FOR FOREBAY SHALL BE CDOT TYPE D



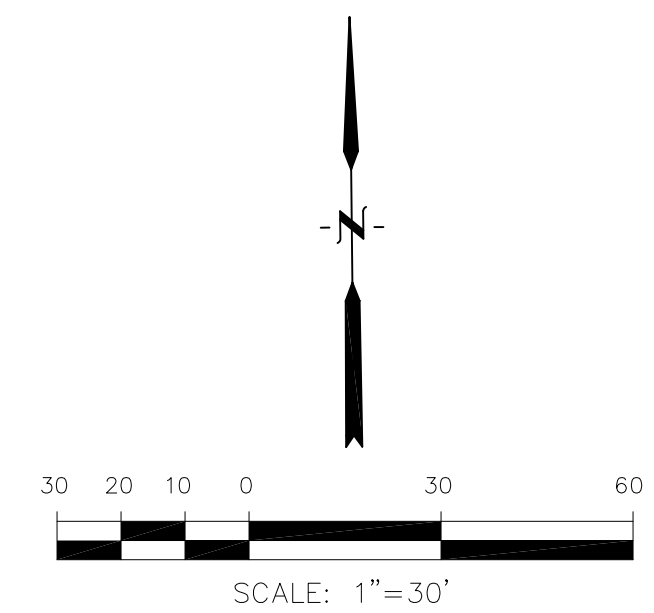
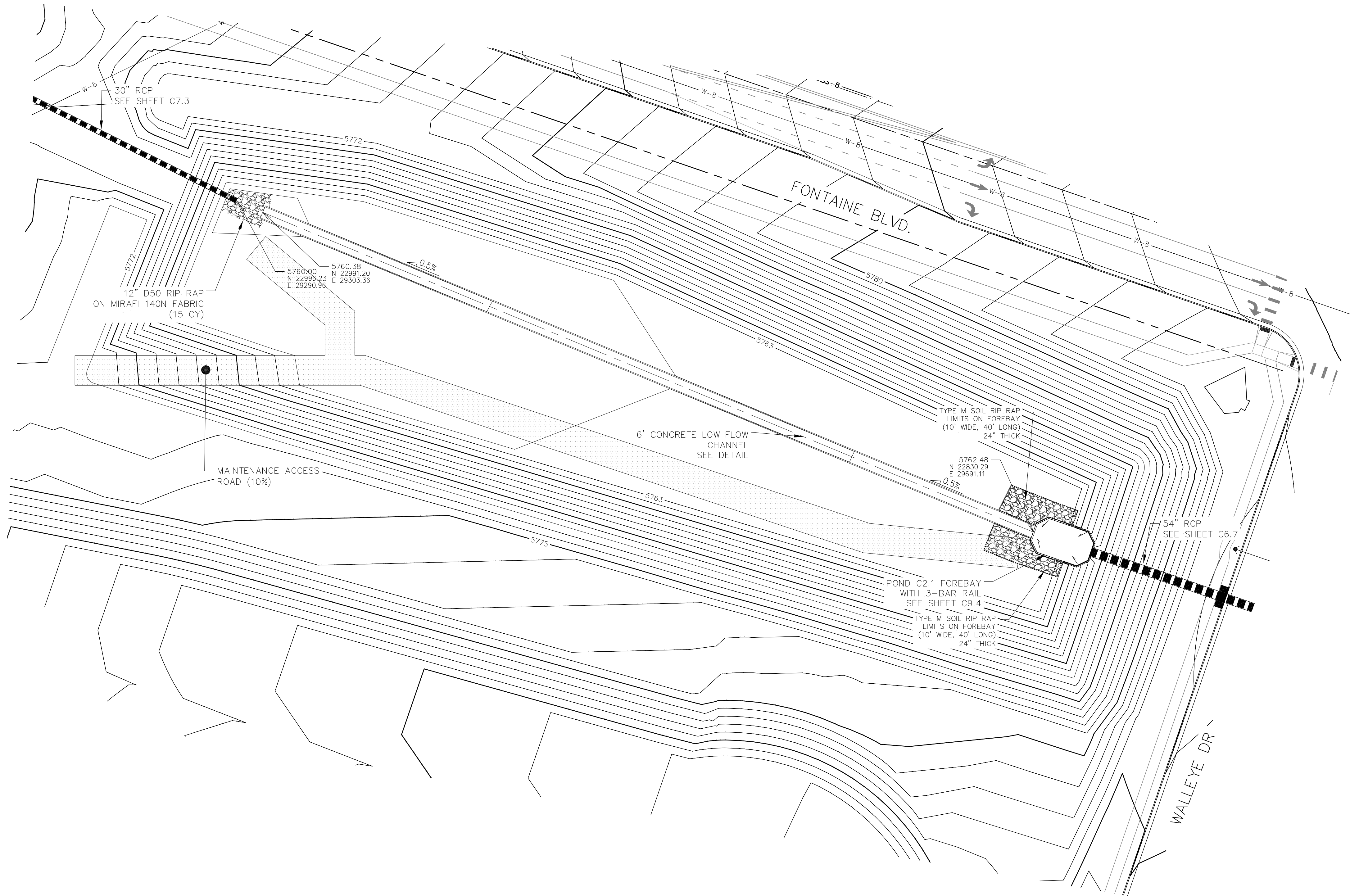
POND C1 - FOREBAY LAYOUT
 SCALE: 1"=5'

POINT TABLE (FOREBAY)				
NUMBER	NORTHING	EASTING	ELEVATION	NOTES
1	22469.08	28305.90	5746.10	FOREBAY BOTTOM
2	22440.71	28296.15	5746.30	FOREBAY BOTTOM, INV 48"=5747.75



CONCRETE LOW FLOW CHANNEL DETAIL
NO SCALE

LENGTH FOR RADII
A = 1/2"
C = 1-1/2"



CORE ENGINEERING GROUP
15004 1ST AVENUE S.
DENVER, CO 80202
PH: 719.570.1100
CONTACT: RICHARD L. SCHINDLER, P.E.
EMAIL: Rich@ceg1.com

DATE: _____
DESCRIPTION: _____
NO: _____

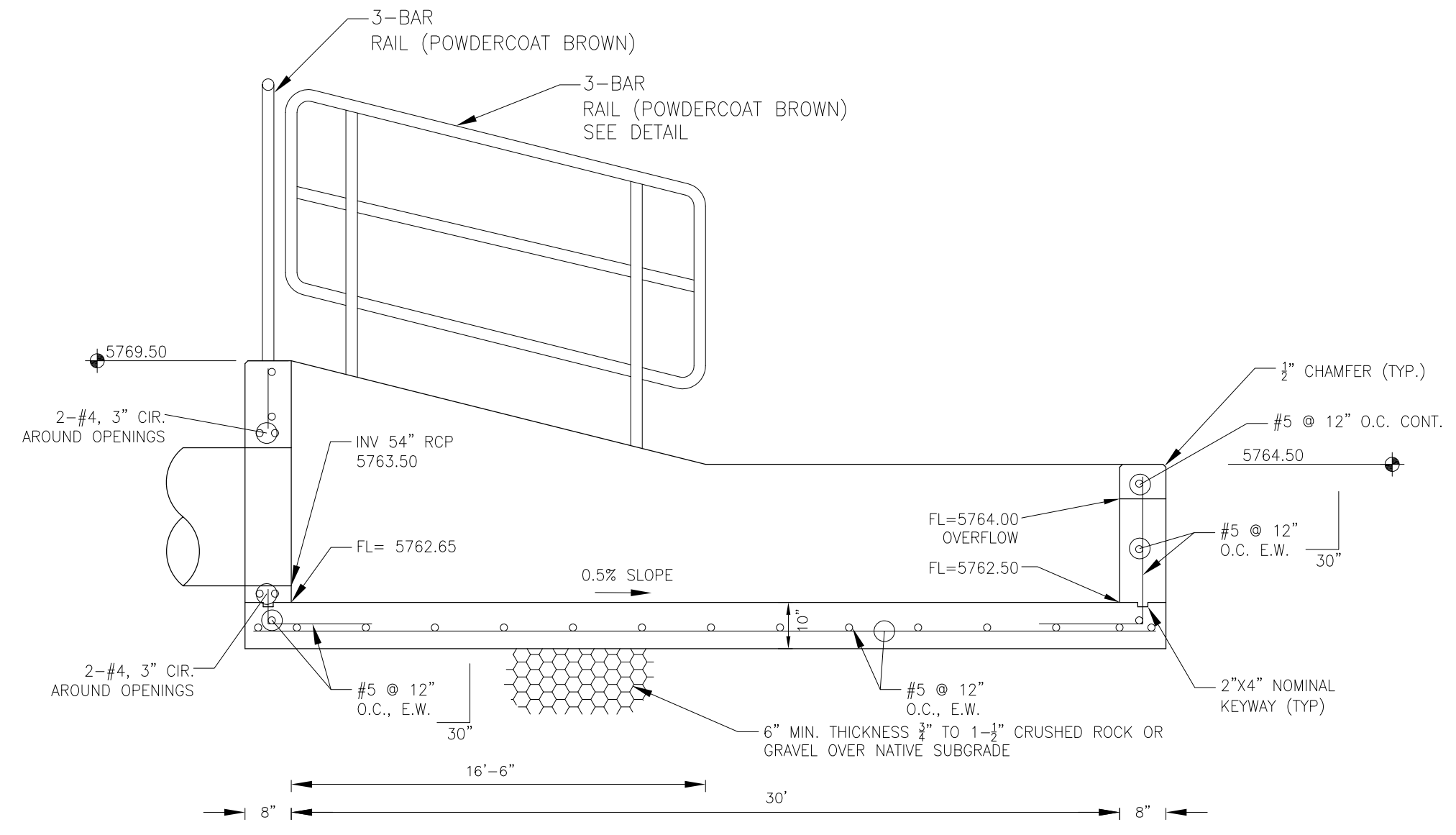
PREPARED FOR: **LORSON, LLC**
212 N. WAHSATCH AVE, SUITE 301
COLORADO SPRINGS, COLORADO 80903
(719) 635-3200
CONTACT: JEFF MARK

PROJECT: **THE HILLS COLLECTOR STREET CONSTRUCTION**
FONTAINE BLVD. - GRAYLING DR
LORSON BLVD - WALLEYE DR - LAMPREY DR
COLORADO SPRINGS, COLORADO

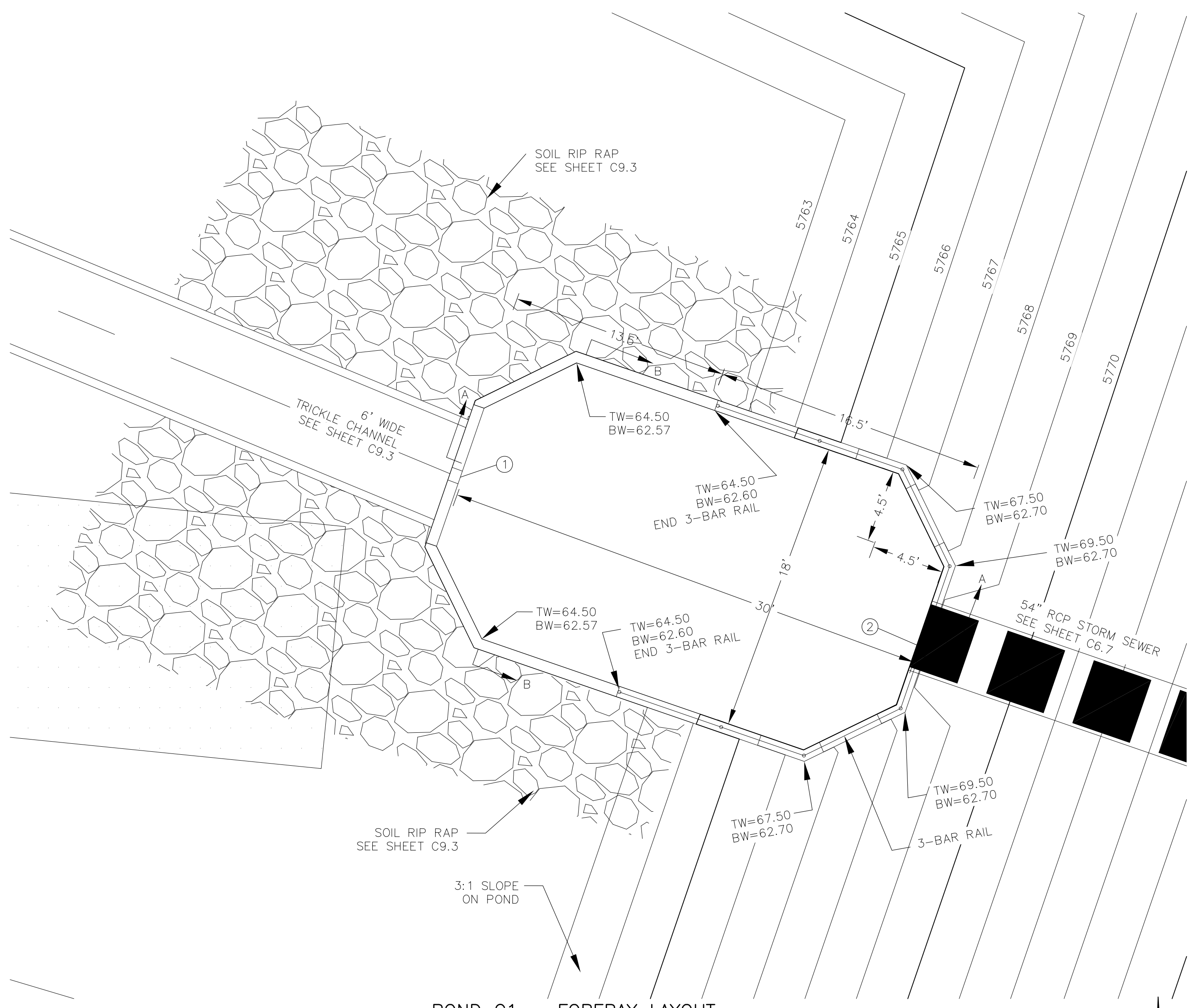
DRAWN: RLS
DESIGNED: RLS
CHECKED: RLS

**POND C2.1
FOREBAY AND LOW FLOW CHANNEL
LAYOUT**

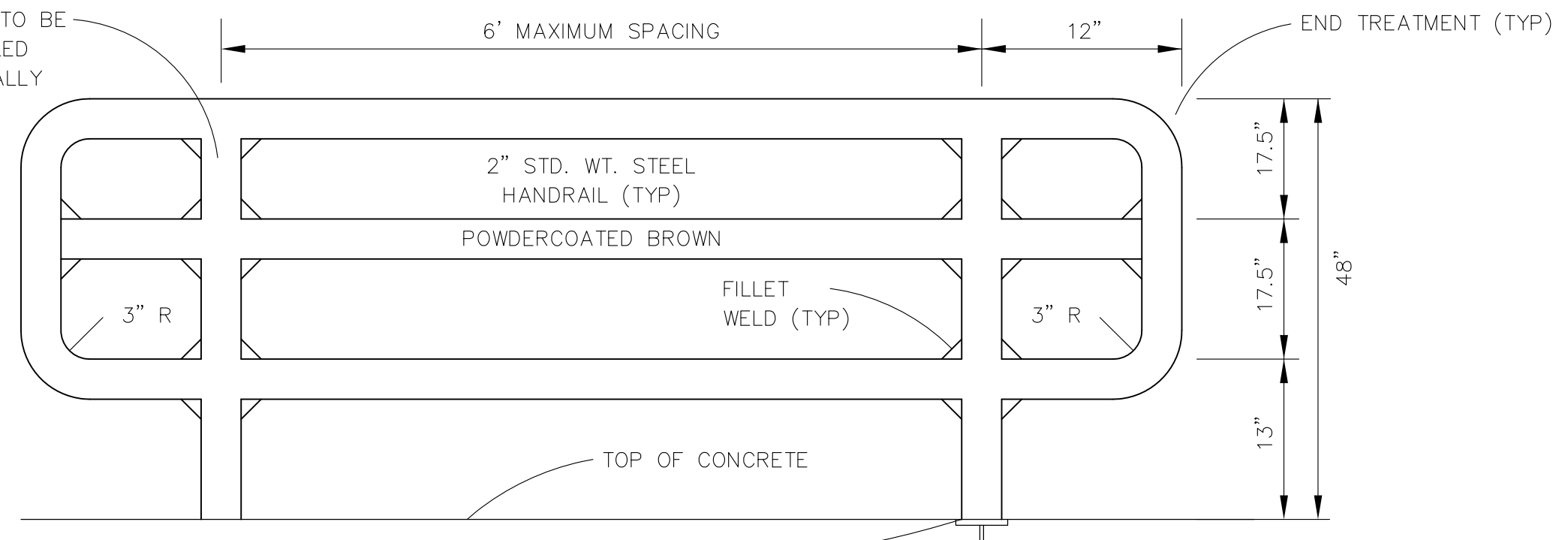
DATE: AUGUST 2, 2020
PROJECT NO. 100.061
SHEET NUMBER **C9.3**
TOTAL SHEETS: 58



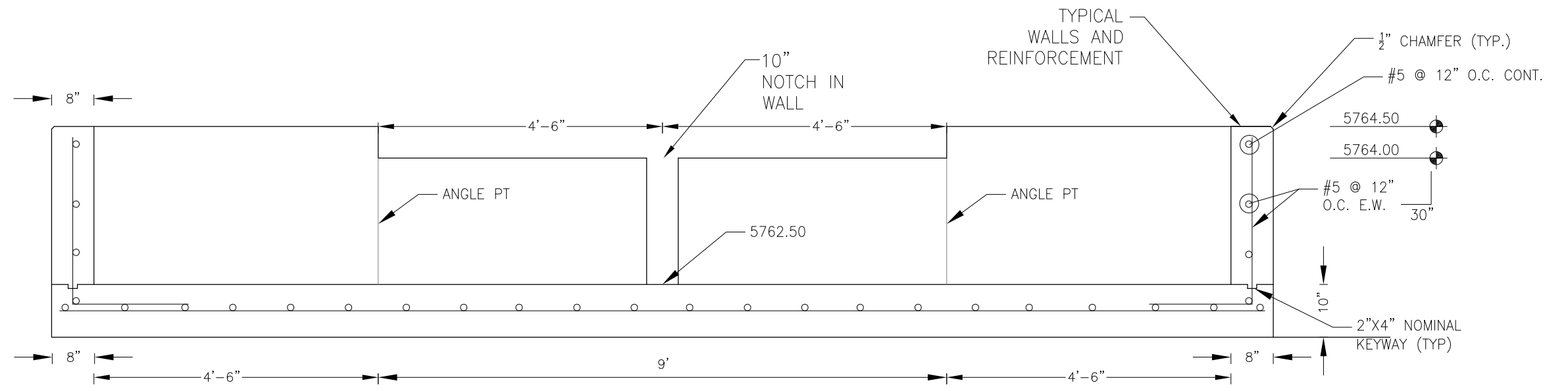
FOREBAY SECTION A-A
 NO SCALE



POND C1 - FOREBAY LAYOUT
 SCALE: 1"=5'



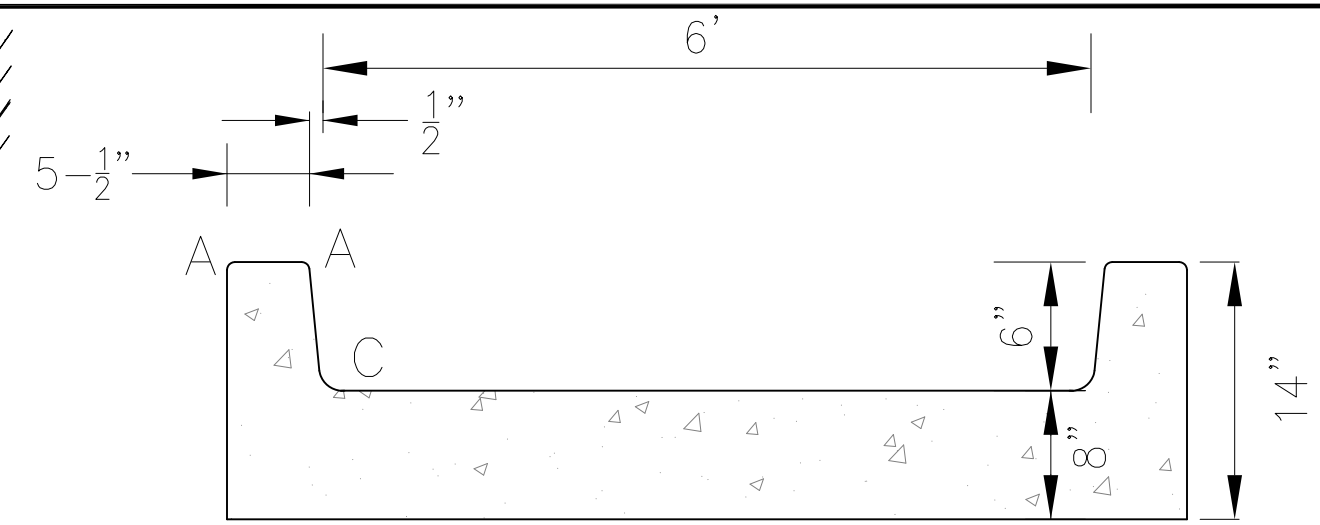
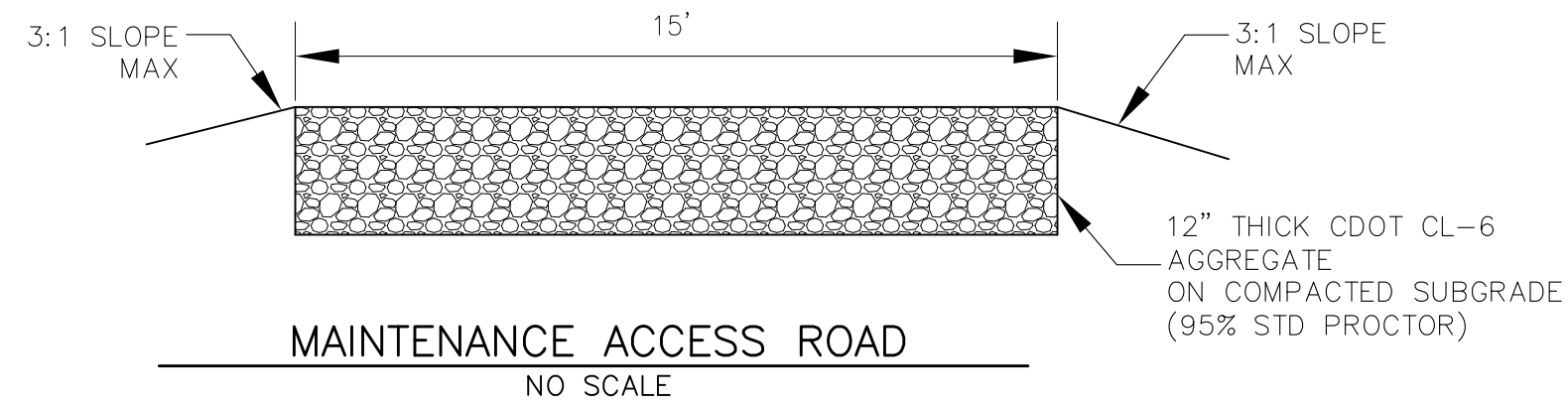
3-BAR RAIL DETAIL
 NO SCALE



FOREBAY SECTION B-B
 NO SCALE

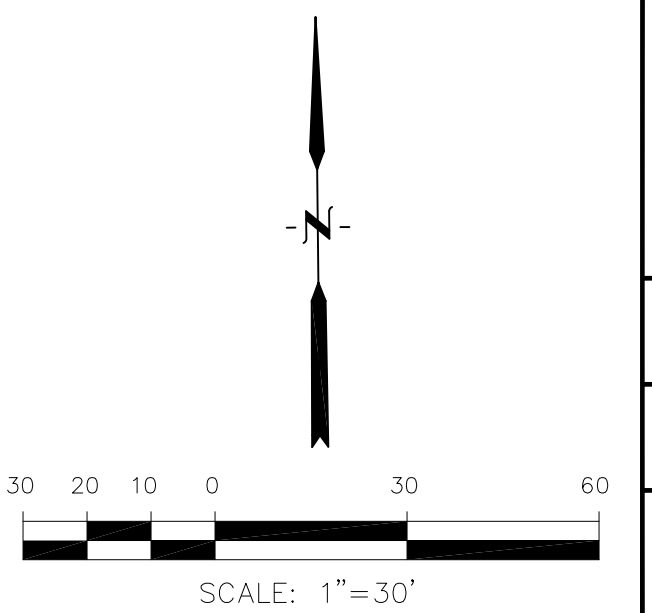
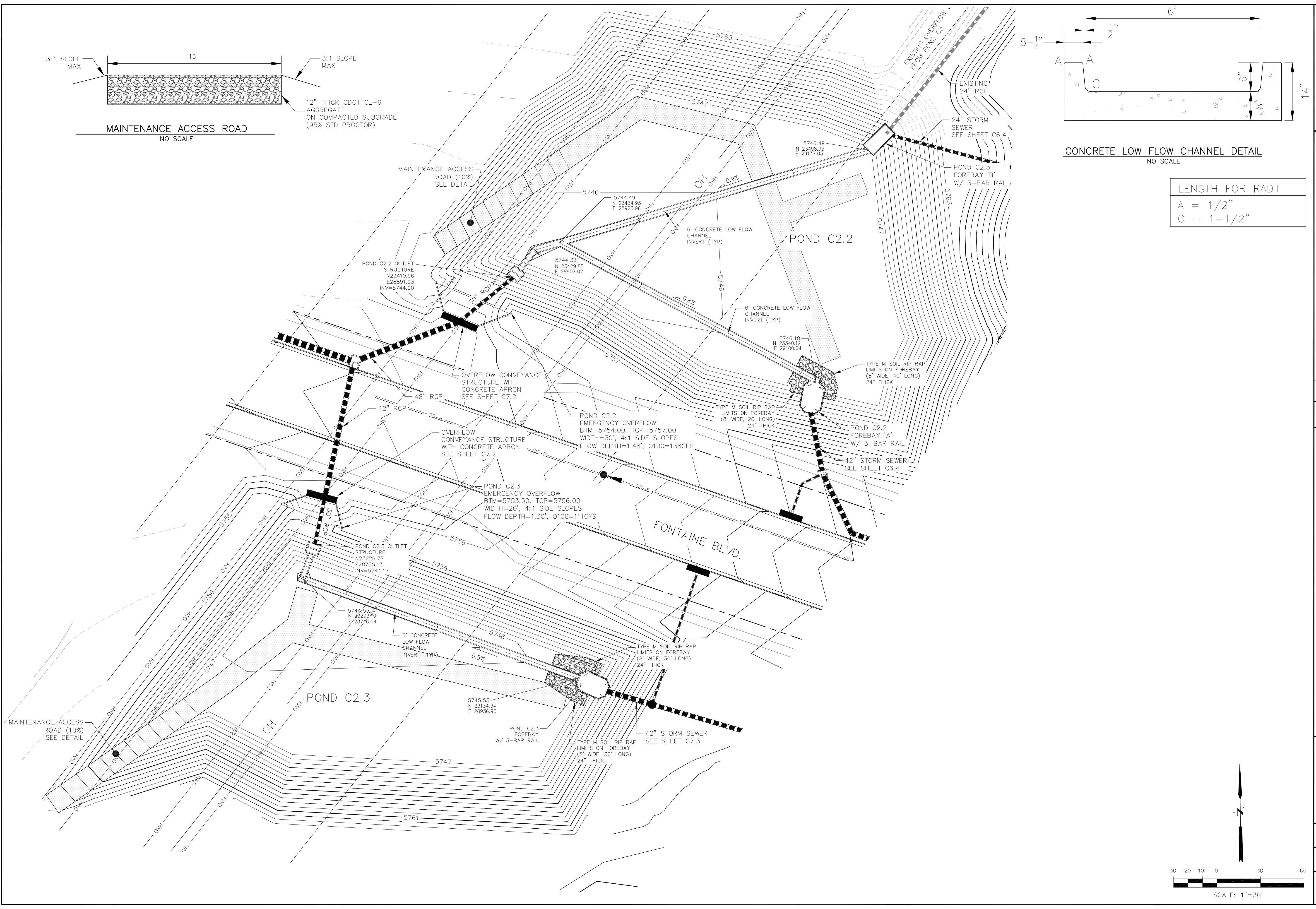
NOTE: ALL CONCRETE FOR FOREBAY SHALL BE CDOT TYPE D

POINT TABLE (FOREBAY)				
NUMBER	NORTHING	EASTING	ELEVATION	NOTES
1	22830.08	29691.75	5762.50	FOREBAY BOTTOM
2	22820.31	29720.11	5762.65	FOREBAY BOTTOM, INV 54"=5763.50



CONCRETE LOW FLOW CHANNEL DETAIL
NO SCALE

LENGTH FOR RADII	
A	1/2"
C	1-1/2"



CORE ENGINEERING GROUP
15004 1ST AVENUE S.
DENVER, CO 80206
PHONE: 719.570.1100
CONTACT: RICHARD L. SCHINDLER, P.E.
EMAIL: Rich@ceng1.com

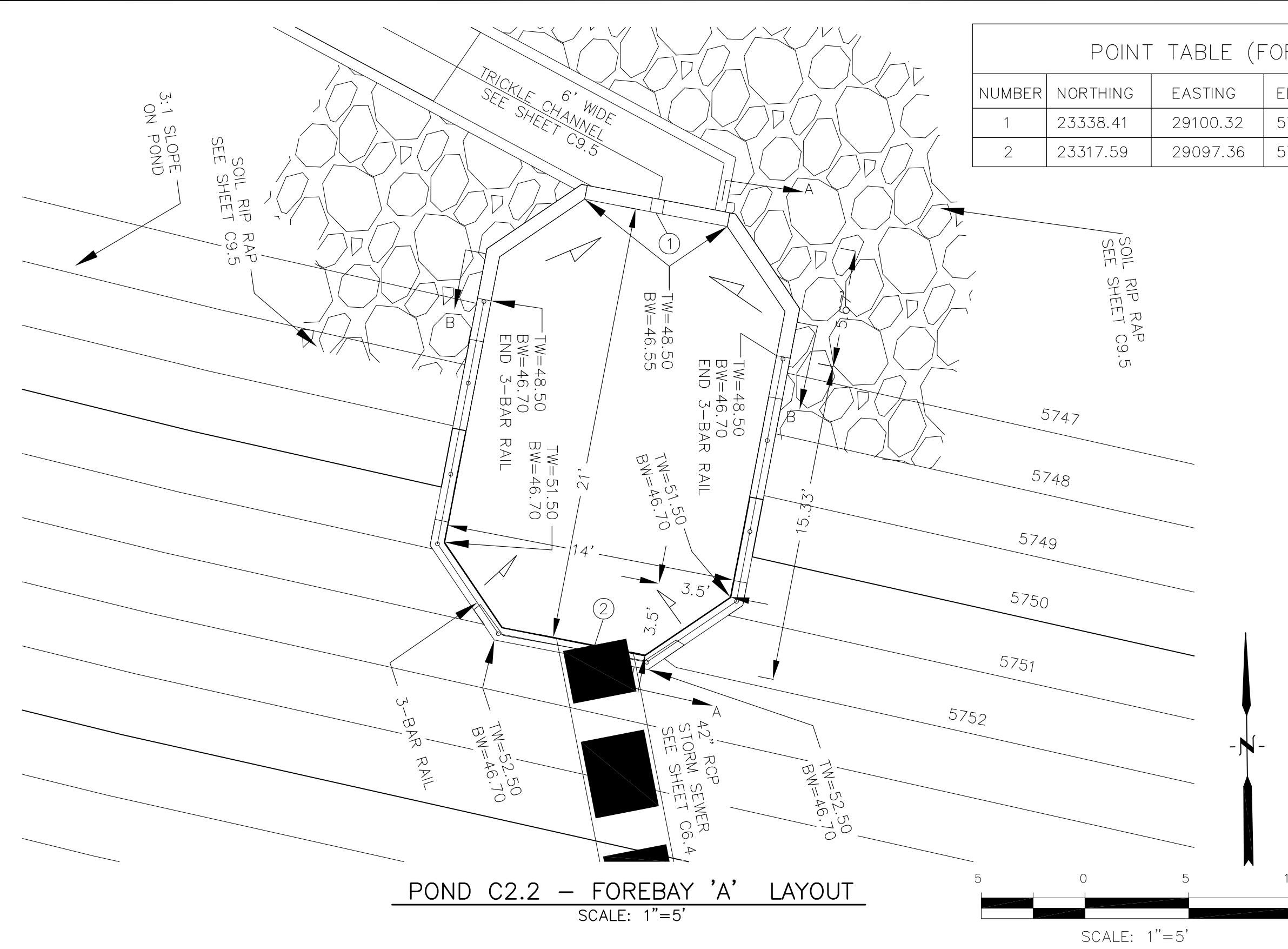
DATE: _____
DESCRIPTION: _____
NO: _____

PREPARED FOR: **LORSON, LLC**
212 N. WAHSATCH AVE, SUITE 301
COLORADO SPRINGS, COLORADO 80903
CONTACT: (719) 635-3200
CONTACT: JEFF MARK

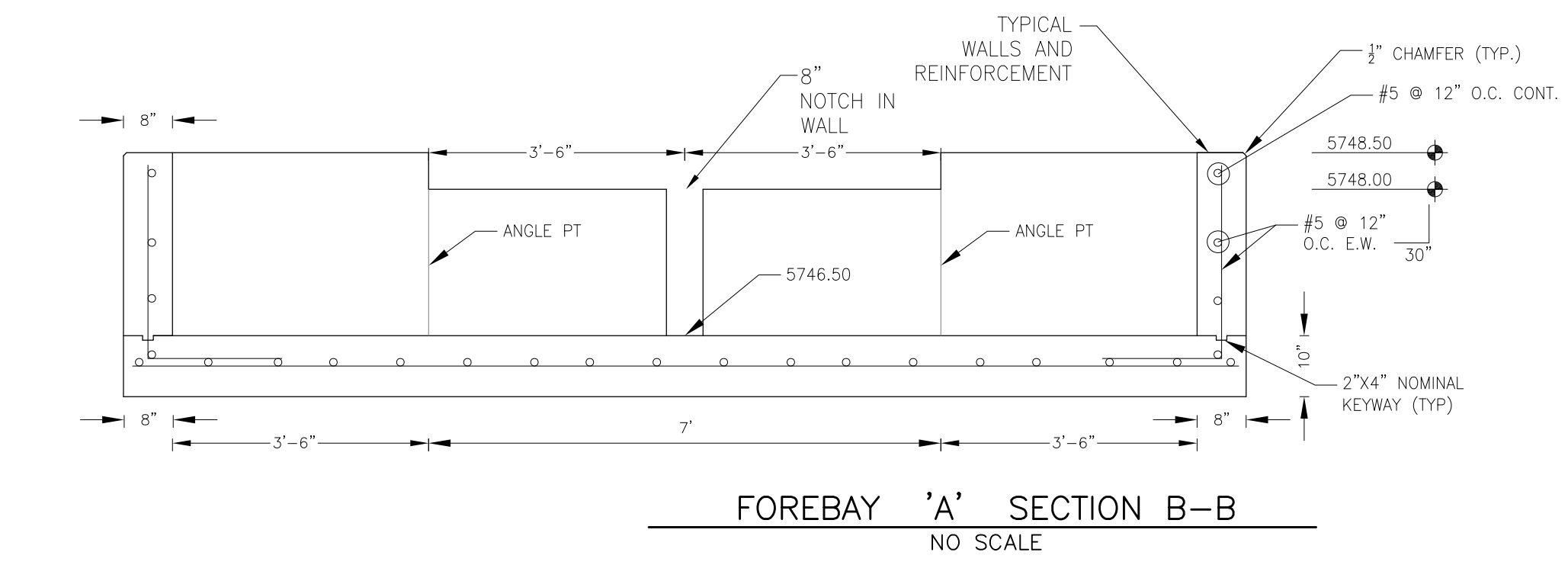
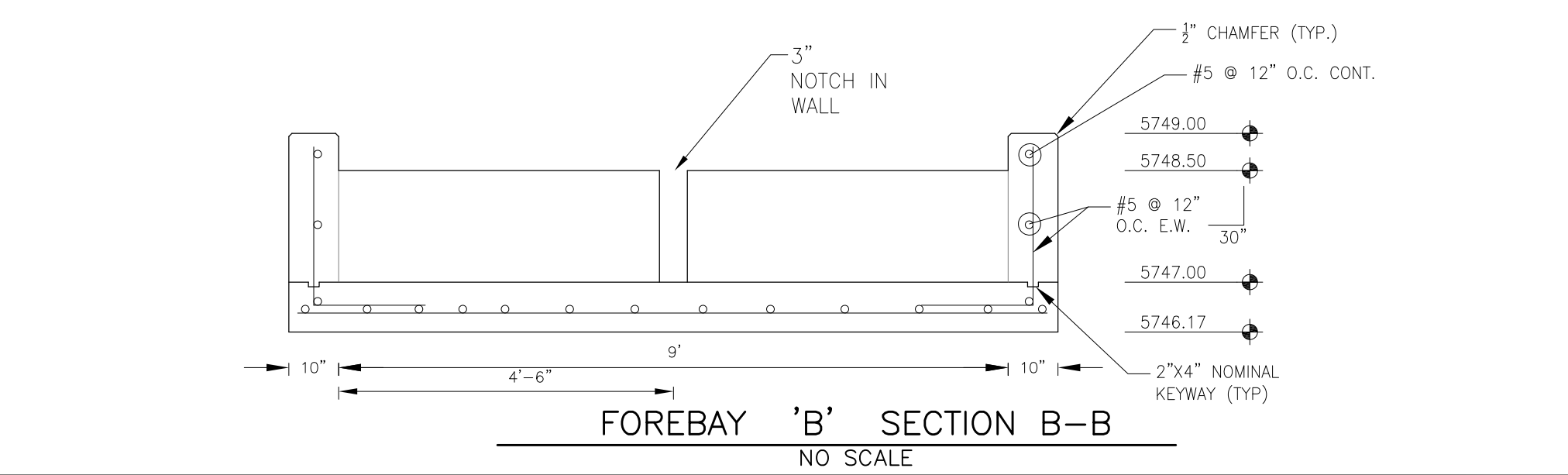
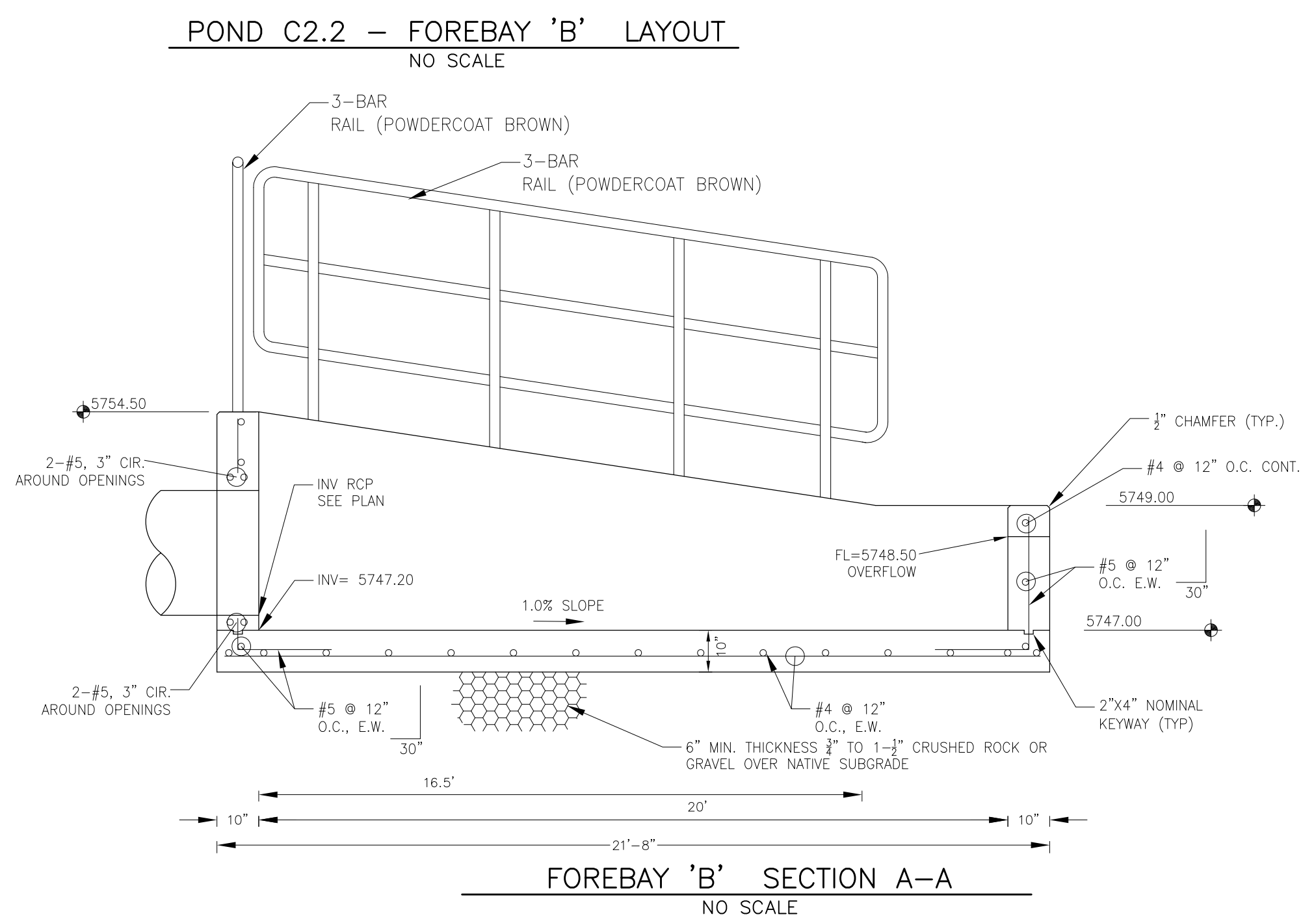
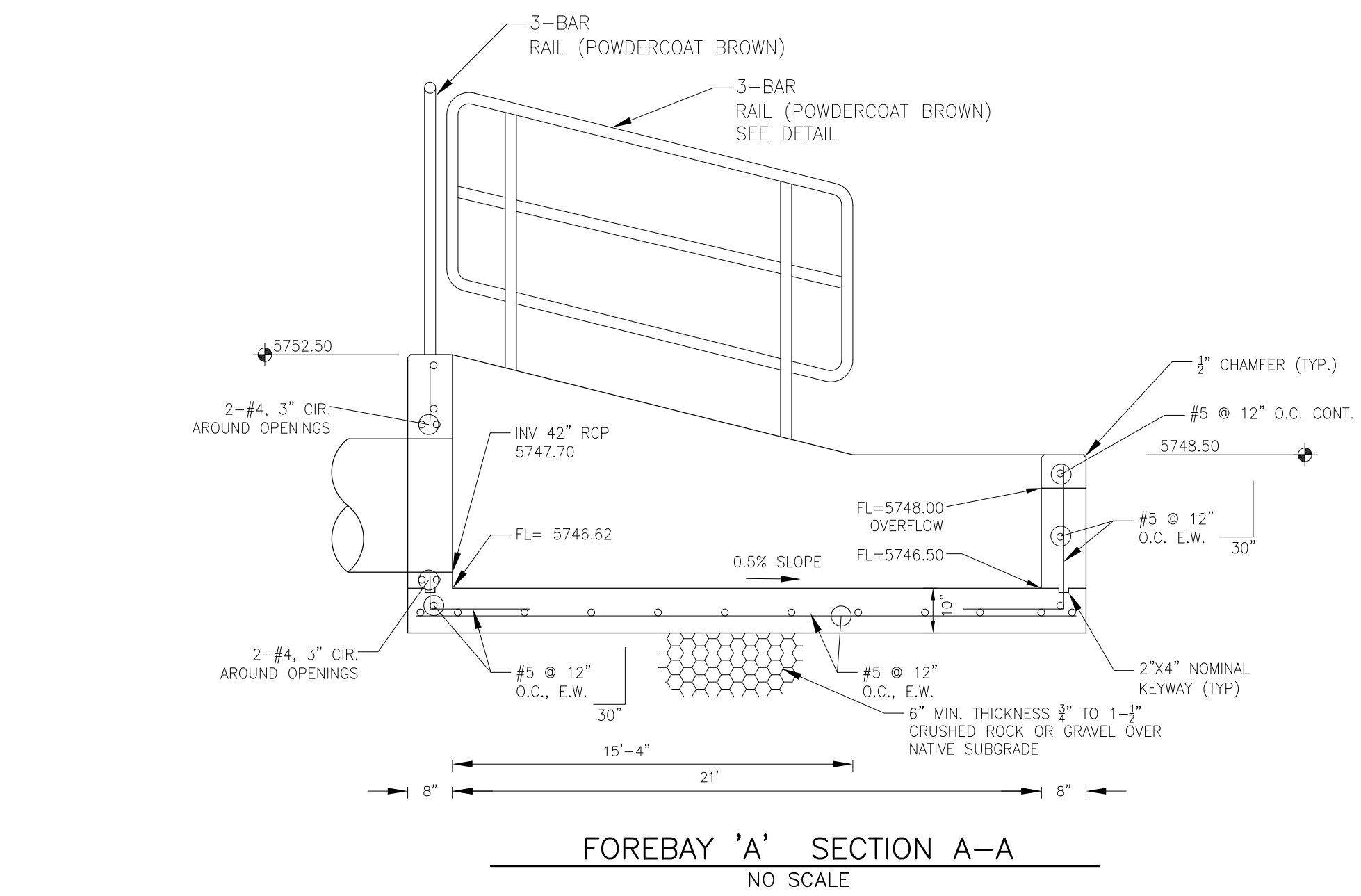
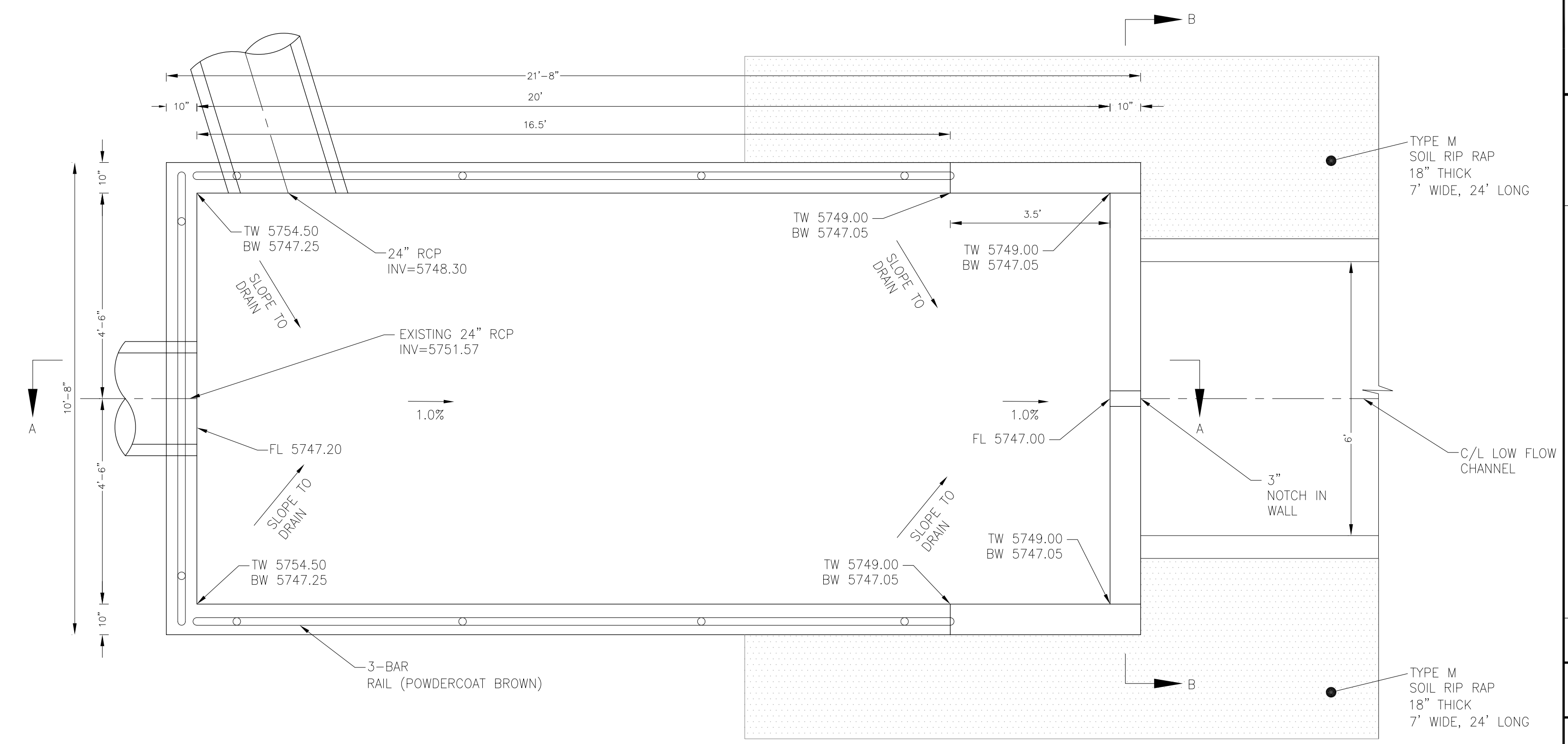
DRAWN: RLS
DESIGNED: RLS
CHECKED: RLS

**POND C2.2 & C2.3
FOREBAY, LOW FLOW CHANNEL
AND OUTLET STRUCTURE LAYOUT**

DATE: AUGUST 2, 2020
PROJECT NO: 100.061
SHEET NUMBER: C9.5
TOTAL SHEETS: 58



POINT TABLE (FOREBAY)				
NUMBER	NORTHING	EASTING	ELEVATION	NOTES
1	23338.41	29100.32	5746.50	FOREBAY BOTTOM
2	23317.59	29097.36	5746.62	FOREBAY BOTTOM, INV 42"=5747.70



NOTE: ALL CONCRETE FOR FOREBAY SHALL BE CDOT TYPE D

CORE ENGINEERING GROUP
 15004 151ST AVENUE S.
 P.O. BOX 5506
 PARKER, CO 80138
 CONTACT: RICHARD L. SCHINDLER, P.E.
 EMAIL: Rich@cegi.com

DATE: _____
 DESCRIPTION: _____
 NO: _____

PREPARED FOR:
LORSON, LLC
 212 N. WAHSATCH AVE, SUITE 301
 COLORADO SPRINGS, COLORADO 80903
 CONTACT: JEFF MARK

PROJECT:
THE HILLS COLLECTOR STREET CONSTRUCTION
 FONTAINE BLVD. - GRAYLING DR
 LORSON BLVD - WALLEYE DR - LAMPREY DR
 COLORADO SPRINGS, COLORADO
 CONTACT: JEFF MARK

DRAWN: RLS
 DESIGNED: RLS
 CHECKED: RLS

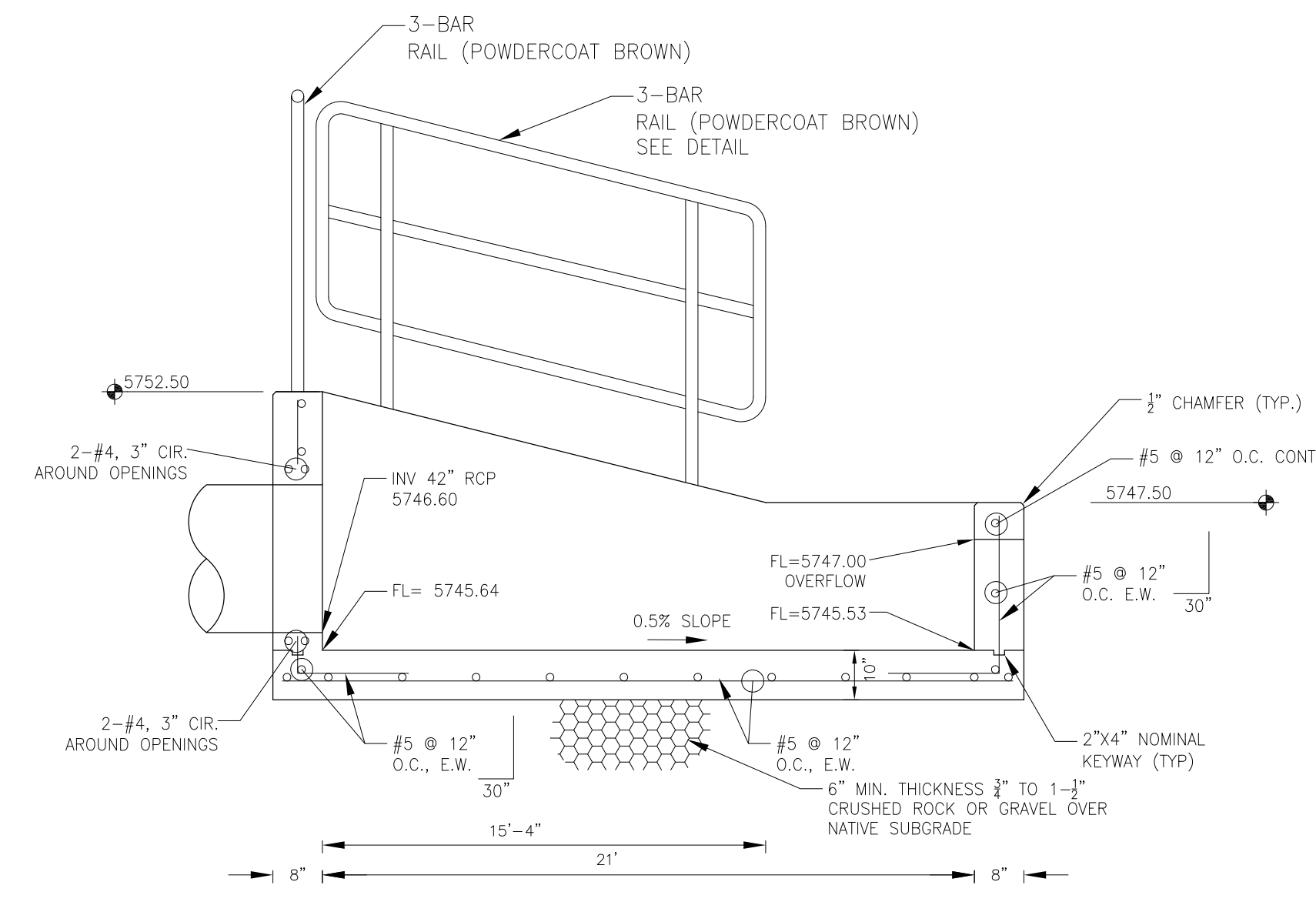
POND C2.2
 FOREBAY DETAILS

DATE:
 AUGUST 2, 2020

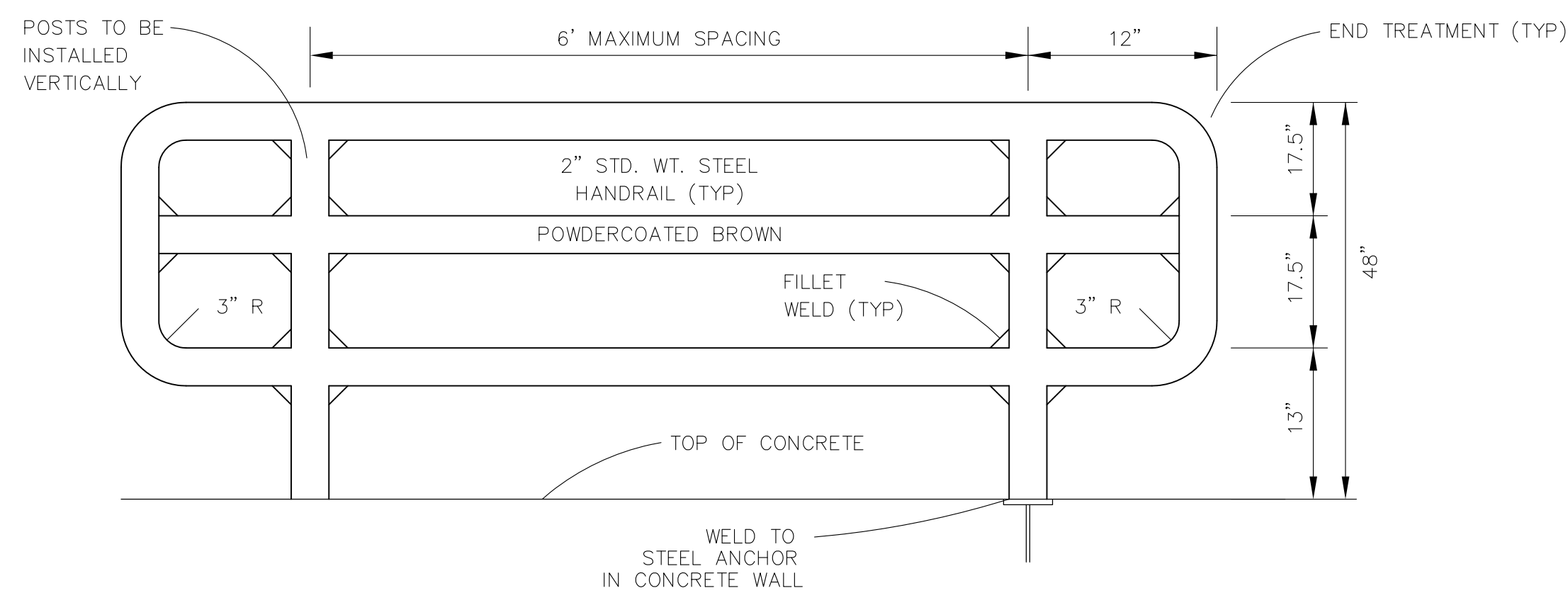
PROJECT NO.
 100.061

SHEET NUMBER
 C9.6

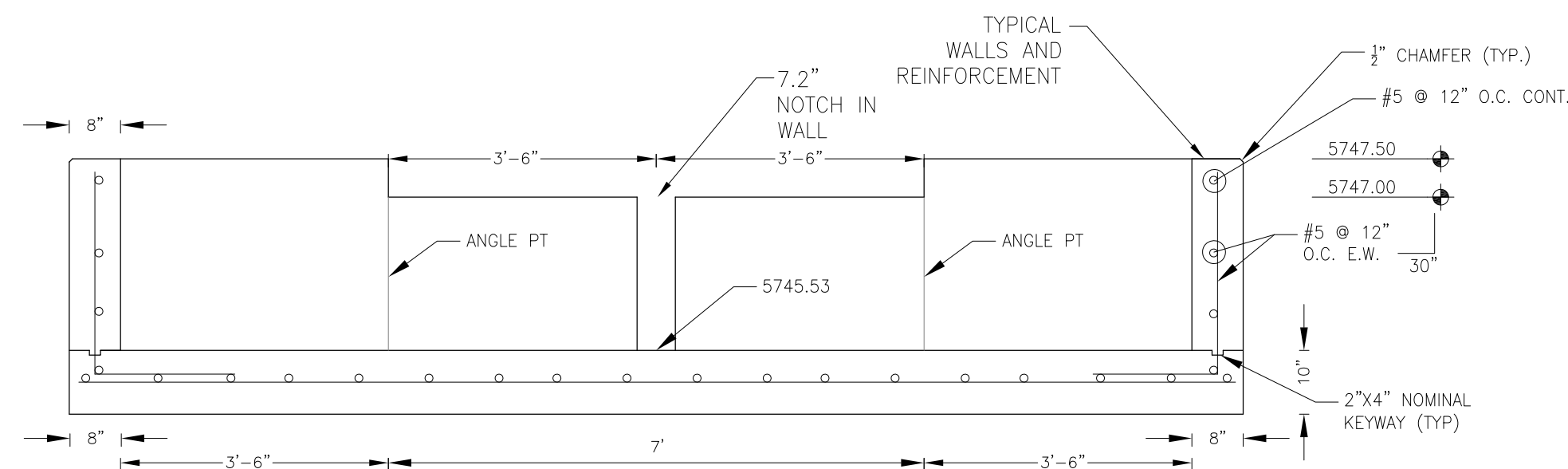
TOTAL SHEETS: 58



FOREBAY SECTION A-A
NO SCALE

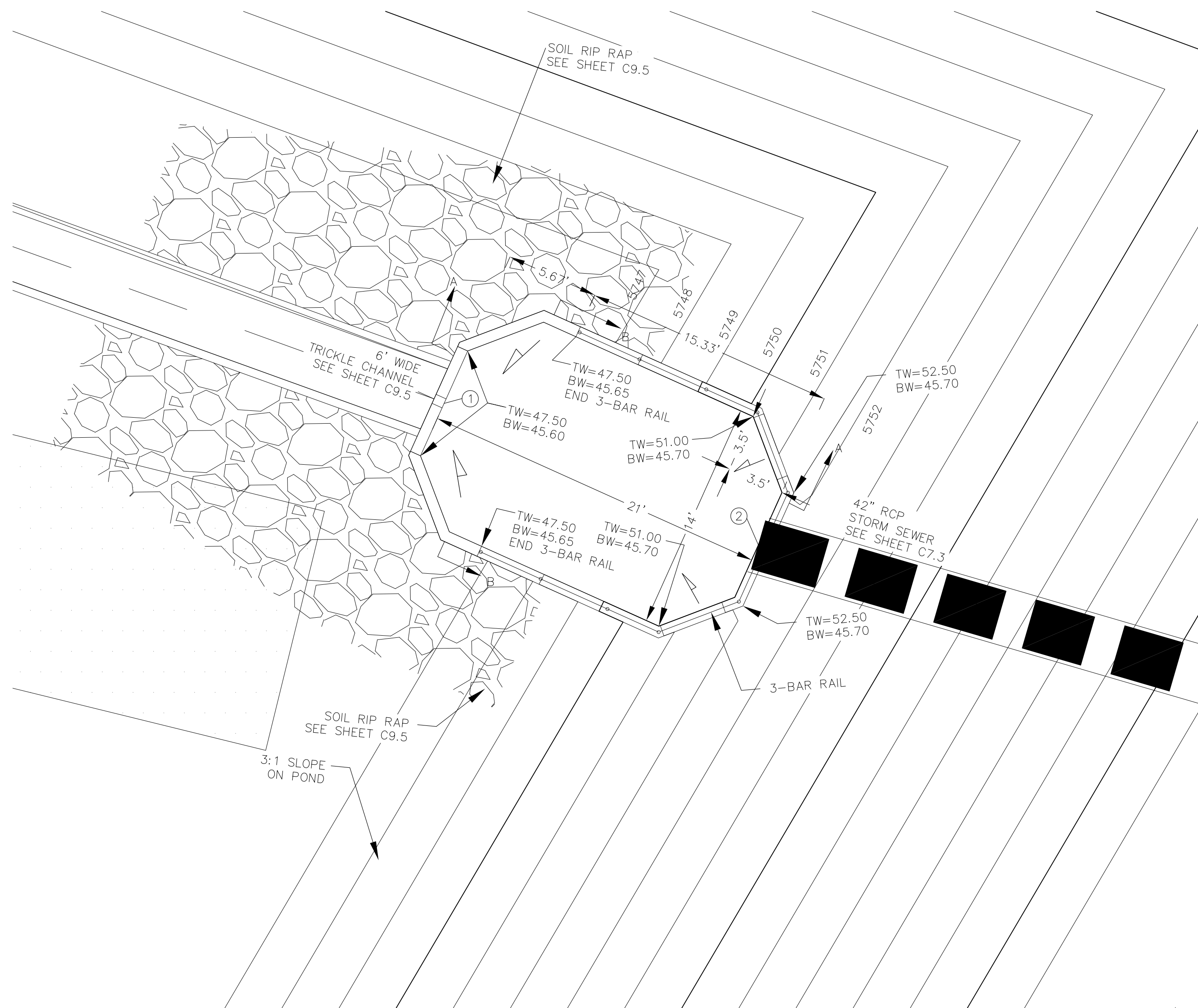


3-BAR RAIL DETAIL
NO SCALE



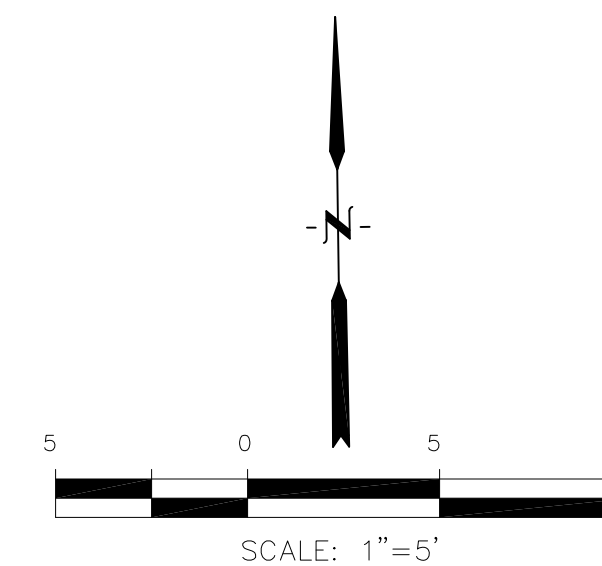
FOREBAY SECTION B-B
NO SCALE

NOTE: ALL CONCRETE FOR FOREBAY SHALL BE CDOT TYPE D

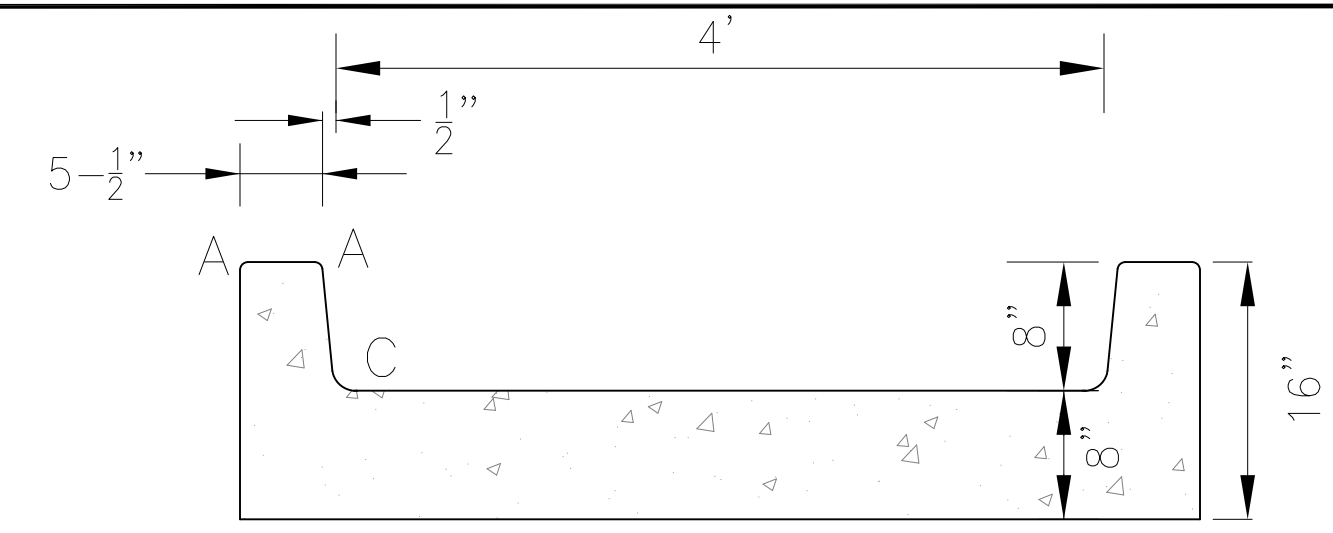
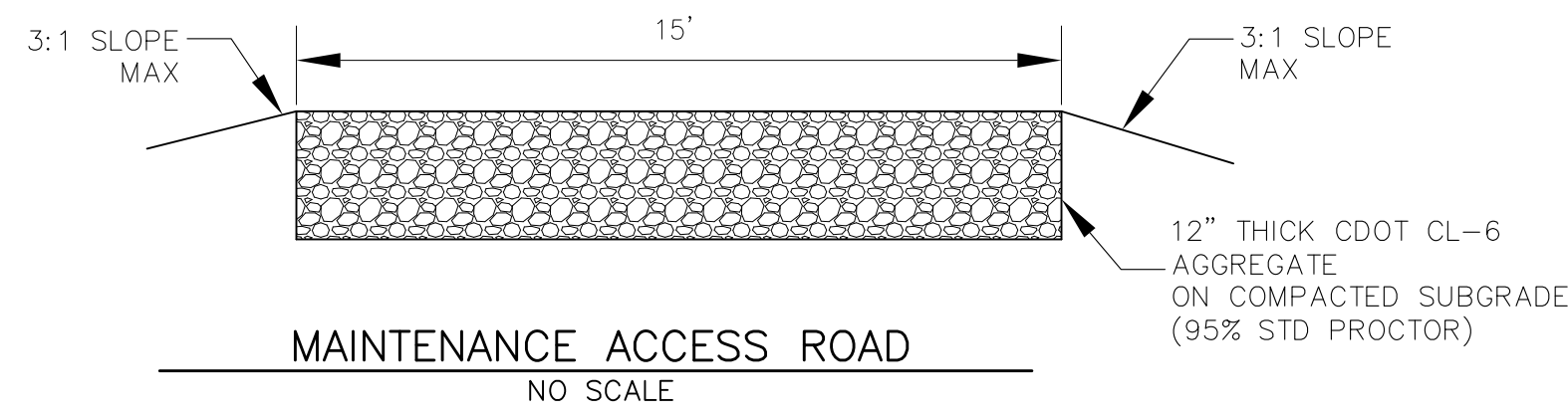


POND C2.3 - FOREBAY LAYOUT
SCALE: 1"=5'

POINT TABLE (FOREBAY)				
NUMBER	NORTHING	EASTING	ELEVATION	NOTES
1	23134.06	28937.51	5745.53	FOREBAY BOTTOM
2	23125.44	28956.66	5745.64	FOREBAY BOTTOM, INV 42"=5746.50

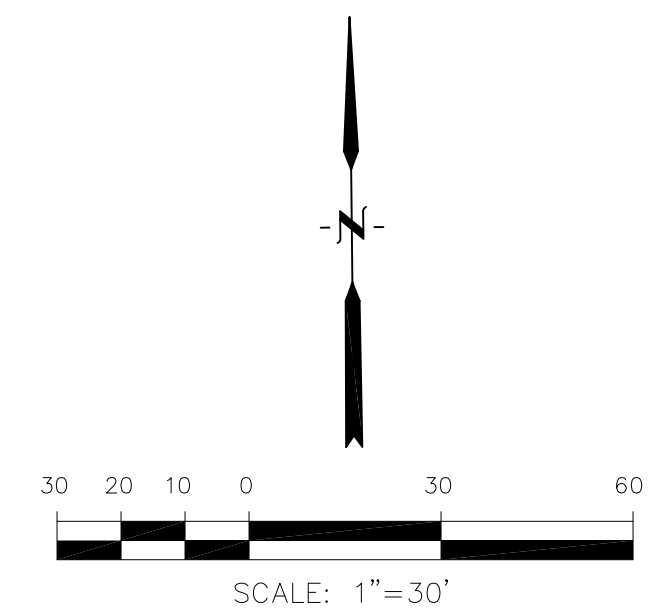
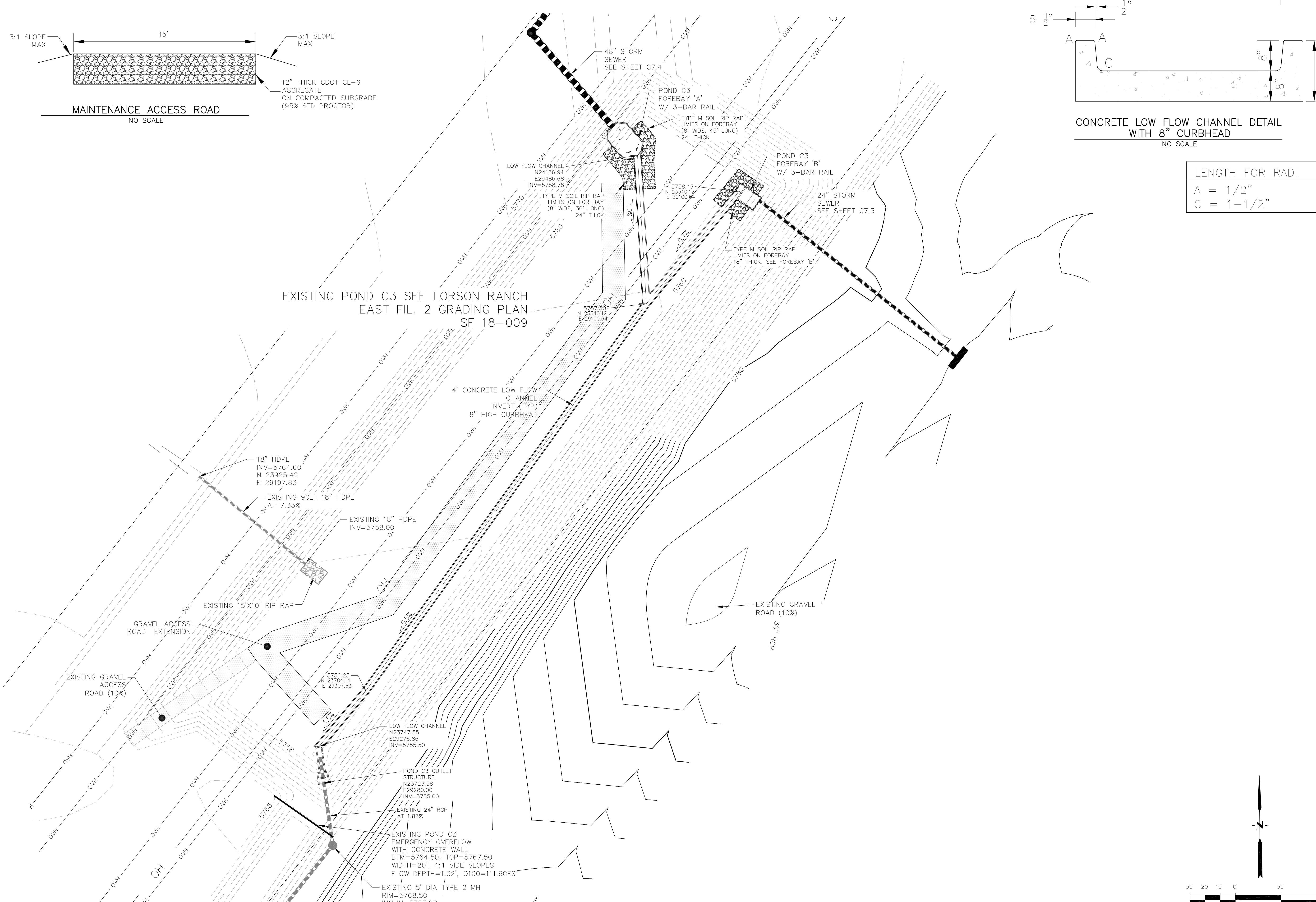


POND C2.3
FOREBAY DETAILS



LENGTH FOR RADII	
A	= 1/2"
C	= 1-1/2"

EXISTING POND C3 SEE LORSON RANCH EAST FIL. 2 GRADING PLAN SF 18-009



CORE ENGINEERING GROUP
15004 1ST AVENUE S.
DENVER, CO 80202
PHONE: 719.570.1100
CONTACT: RICHARD L. SCHINDLER, P.E.
EMAIL: Rich@ceg1.com

DATE:
DESCRIPTION:
NO.:

PREPARED FOR:
LORSON, LLC
212 N. WAHSATCH AVE, SUITE 301
COLORADO SPRINGS, COLORADO 80903
CONTACT: JEFF MARK

PROJECT:
THE HILLS COLLECTOR STREET CONSTRUCTION
FONTAINE BLVD - GRAYLING DR
LORSON BLVD - WALLEYE DR - LAMPREY DR
COLORADO SPRINGS, COLORADO

DRAWN: RLS
DESIGNED: RLS
CHECKED: RLS

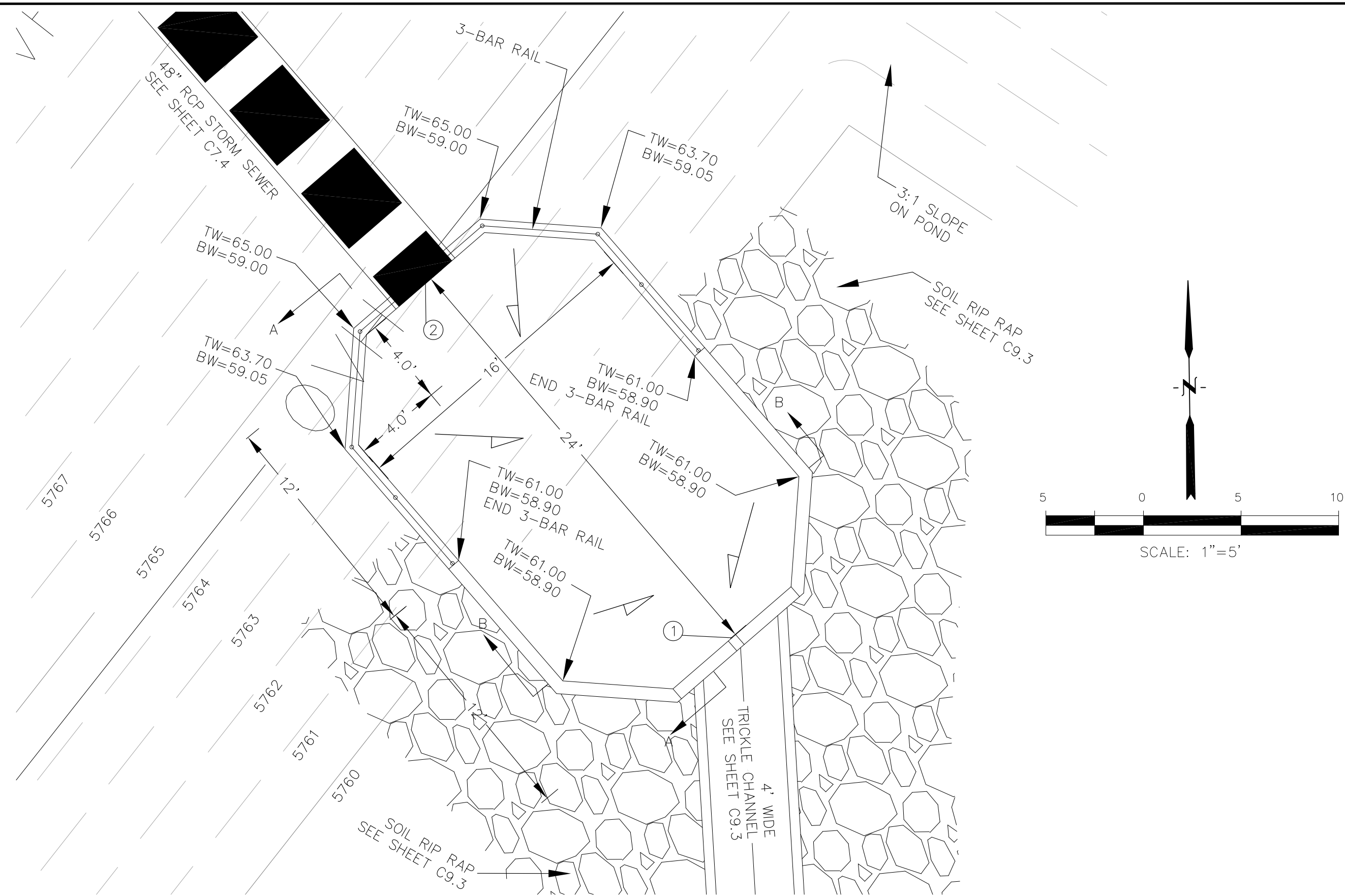
**POND C3
FOREBAY, LOW FLOW CHANNEL
AND OUTLET STRUCTURE LAYOUT**

DATE:
AUGUST 2, 2020

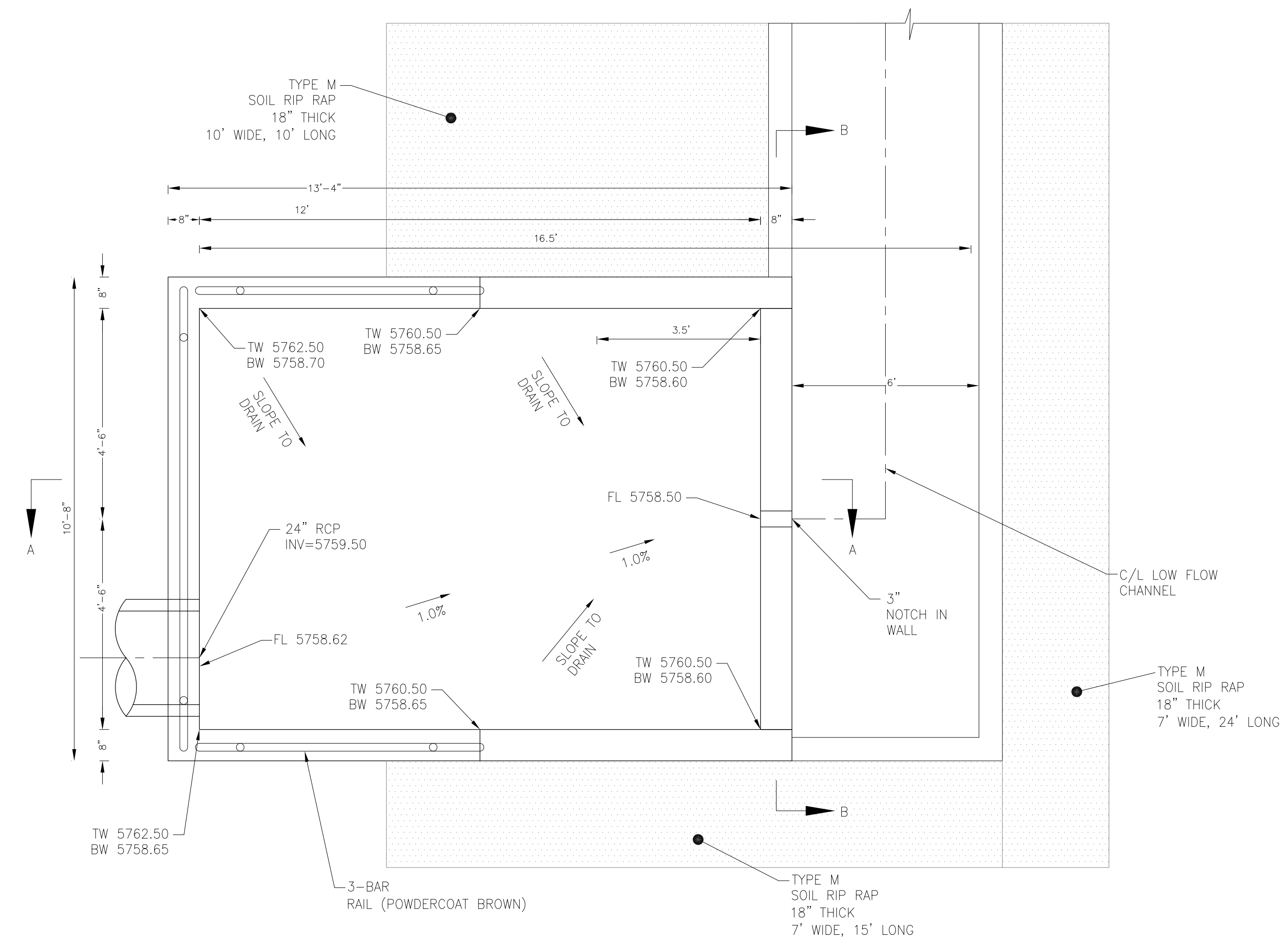
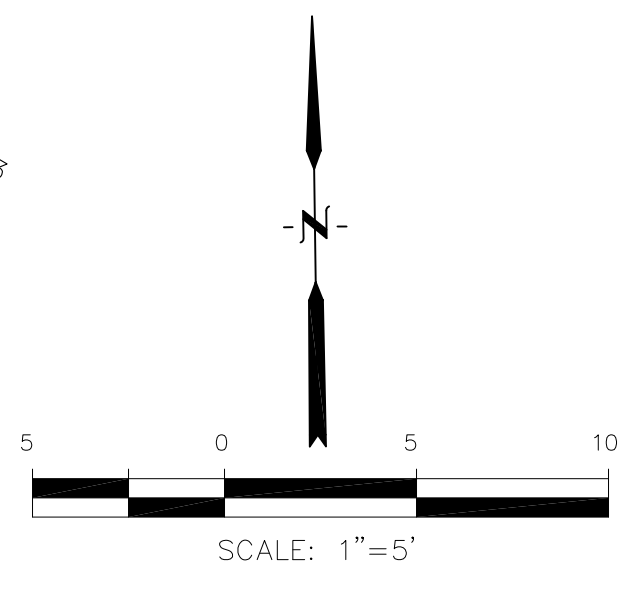
PROJECT NO.
100.061

SHEET NUMBER
C9.8

TOTAL SHEETS: 58

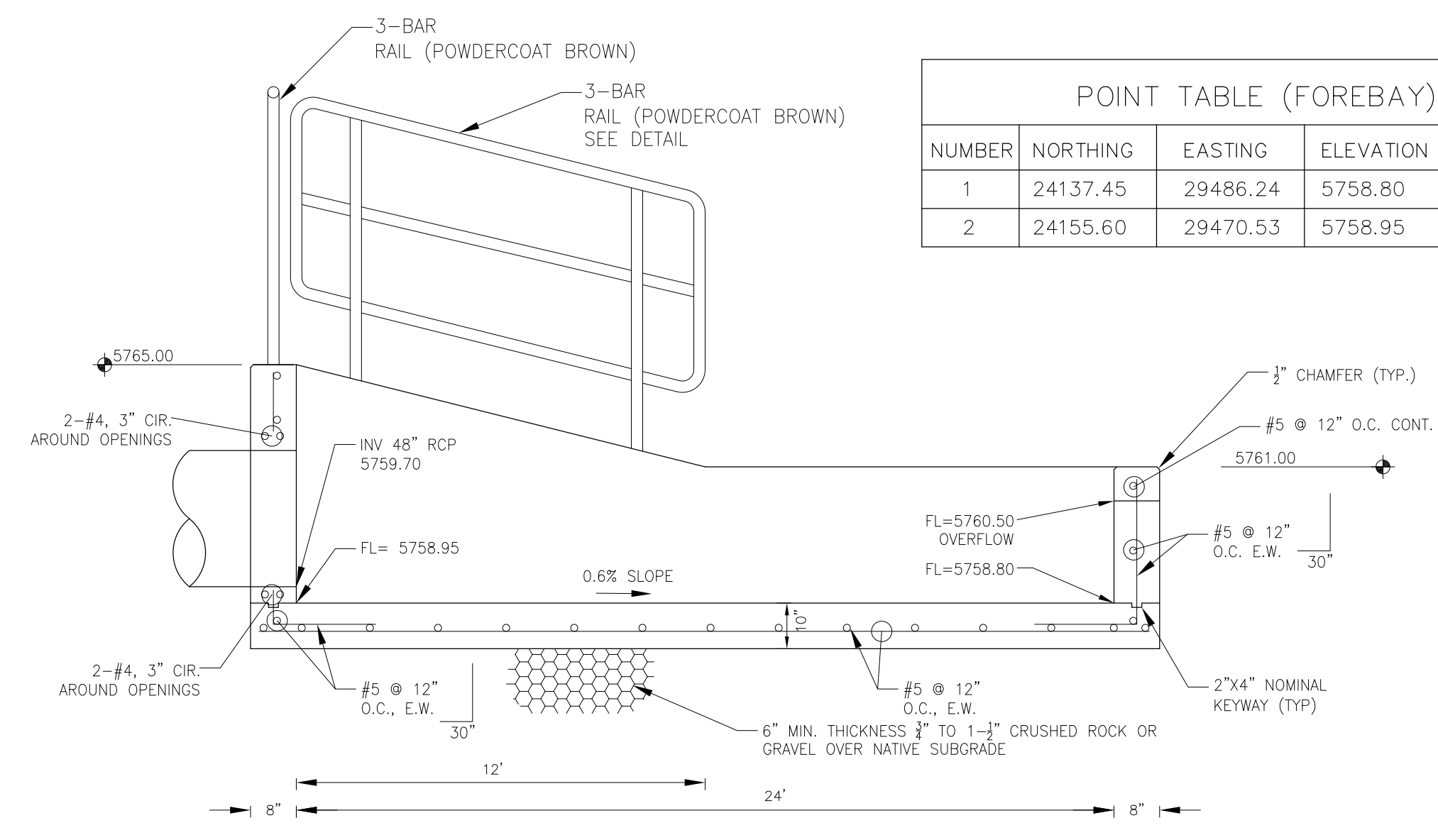


POND C3 - FOREBAY 'A' LAYOUT
SCALE: 1"=5'

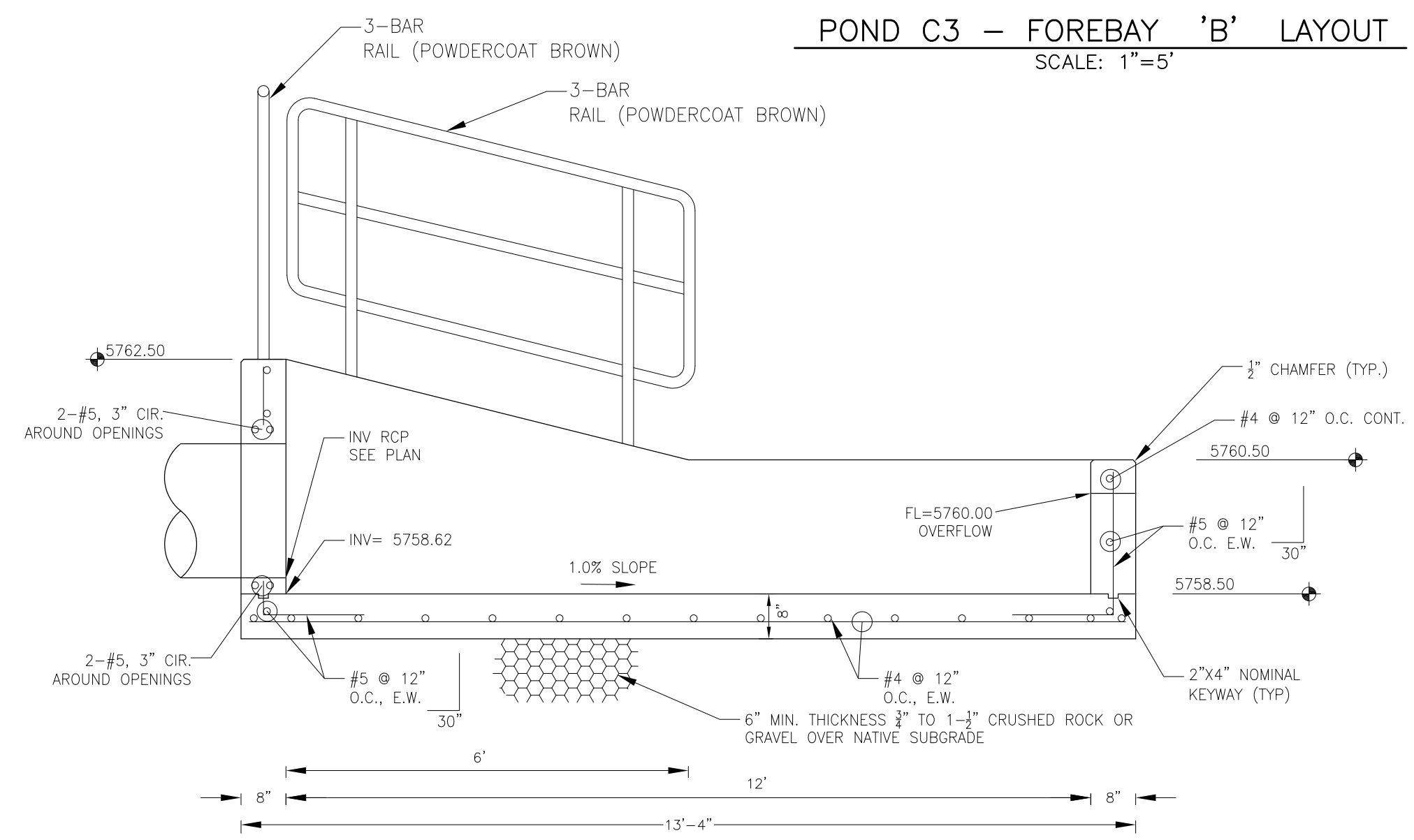


POND C3 - FOREBAY 'B' LAYOUT
SCALE: 1"=5'

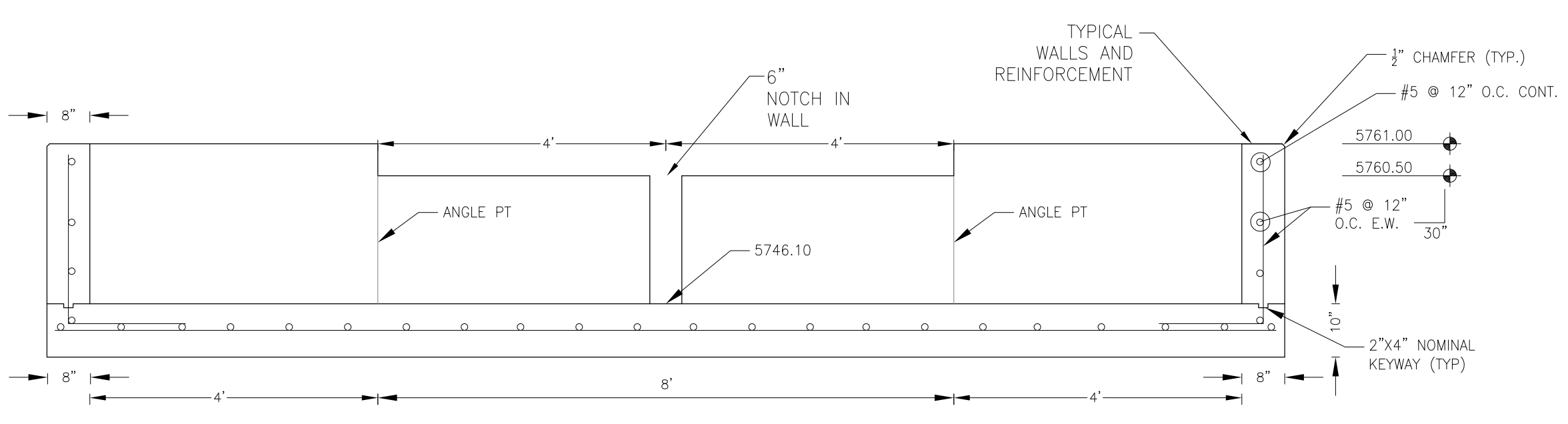
POINT TABLE (FOREBAY)				
NUMBER	NORTHING	EASTING	ELEVATION	NOTES
1	24137.45	29486.24	5758.80	FOREBAY BOTTOM
2	24155.60	29470.53	5758.95	FOREBAY BOTTOM, INV 48"=5759.70



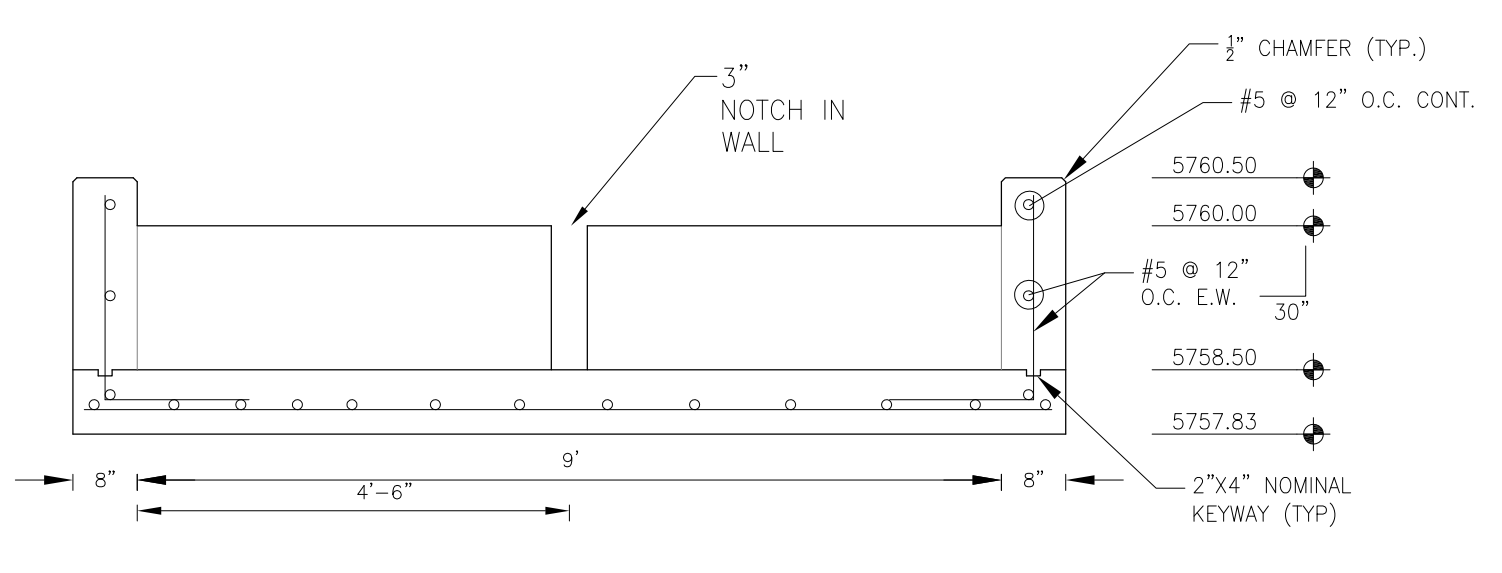
FOREBAY 'A' SECTION A-A
NO SCALE



FOREBAY 'B' SECTION A-A
NO SCALE



FOREBAY 'A' SECTION B-B
NO SCALE



FOREBAY 'B' SECTION B-B
NO SCALE

NOTE: ALL CONCRETE FOR FOREBAY SHALL BE CDOT TYPE D

CORE ENGINEERING GROUP
15004 1ST AVENUE, S.
DENVER, CO 80202
PH: 719.570.1100
CONTACT: RICHARD L. SCHINDLER, P.E.
EMAIL: Rich@ceg1.com

DATE: _____
DESCRIPTION: _____
NO: _____
DRAWN: RLS
DESIGNED: RLS
CHECKED: RLS

PREPARED FOR:
LORSON, LLC
212 N. WAHSATCH AVE, SUITE 301
COLORADO SPRINGS, COLORADO 80903
CONTACT: JEFF MARK

PROJECT:
THE HILLS COLLECTOR STREET CONSTRUCTION
FONTAINE BLVD. - GRAYLING DR
LORSON BLVD - WALLEYE DR - LAMPREY DR
COLORADO SPRINGS, COLORADO
CONTACT: JEFF MARK

DATE: _____
DESCRIPTION: _____
NO: _____

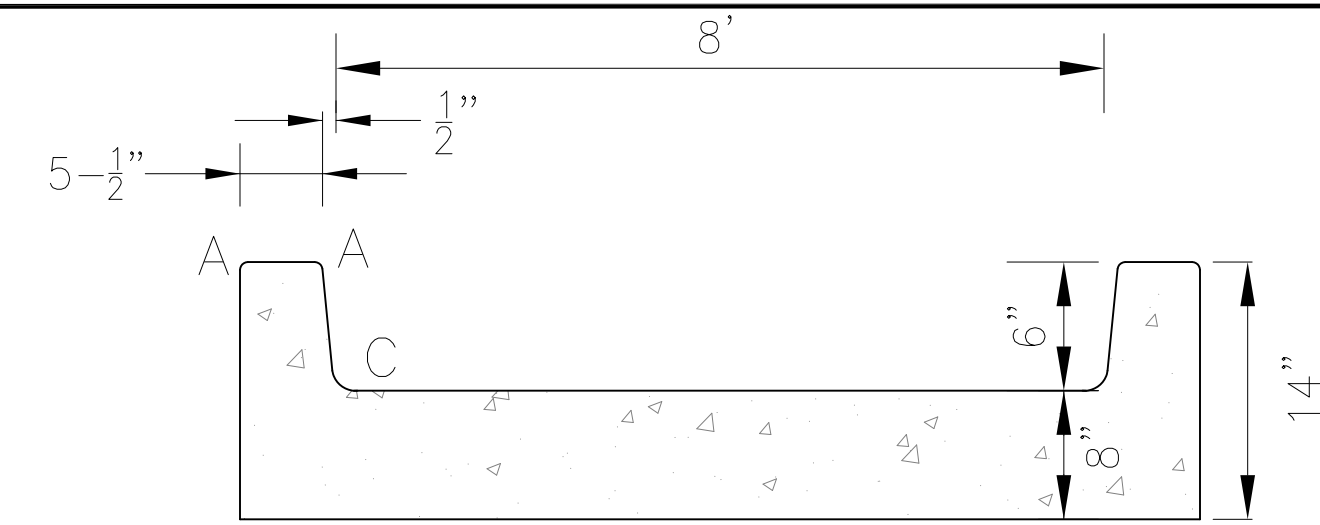
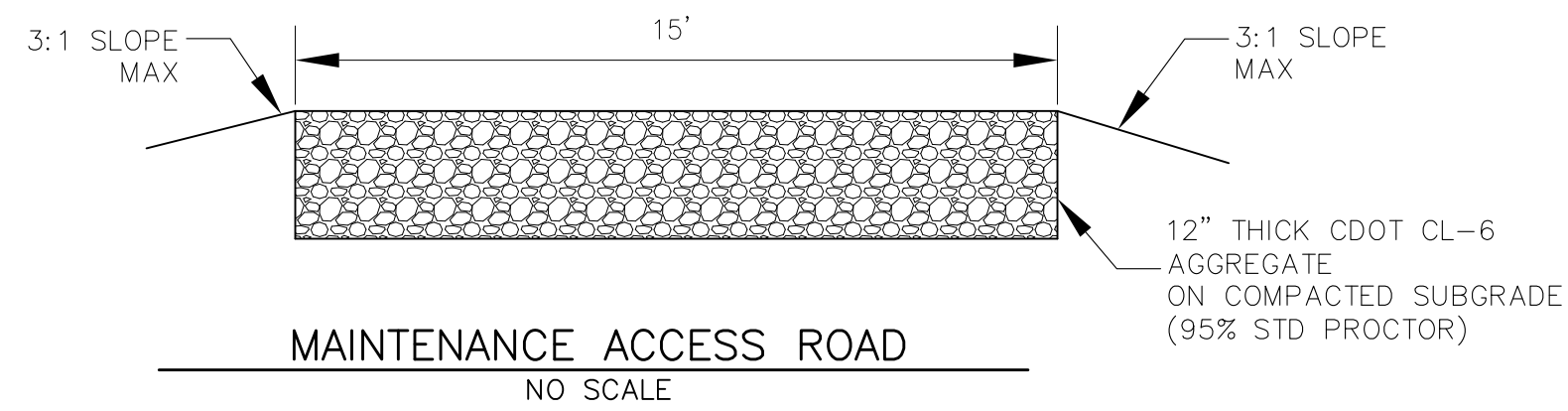
POND C3
FOREBAY DETAILS

DATE:
AUGUST 2, 2020

PROJECT NO.
100.061

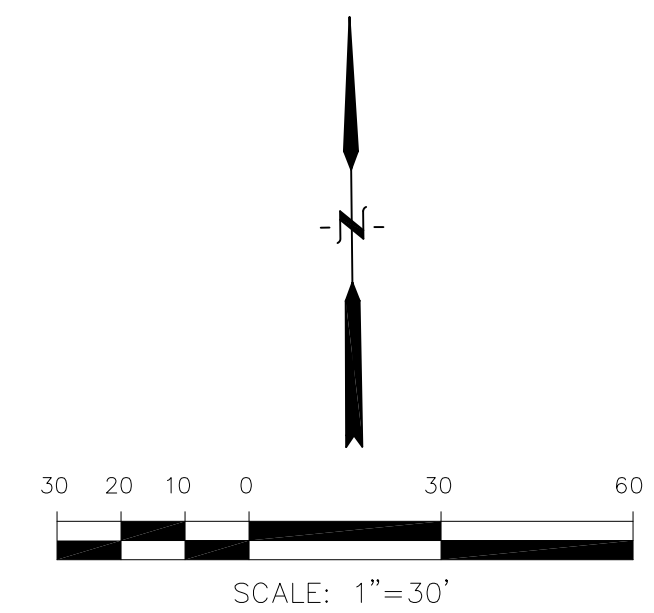
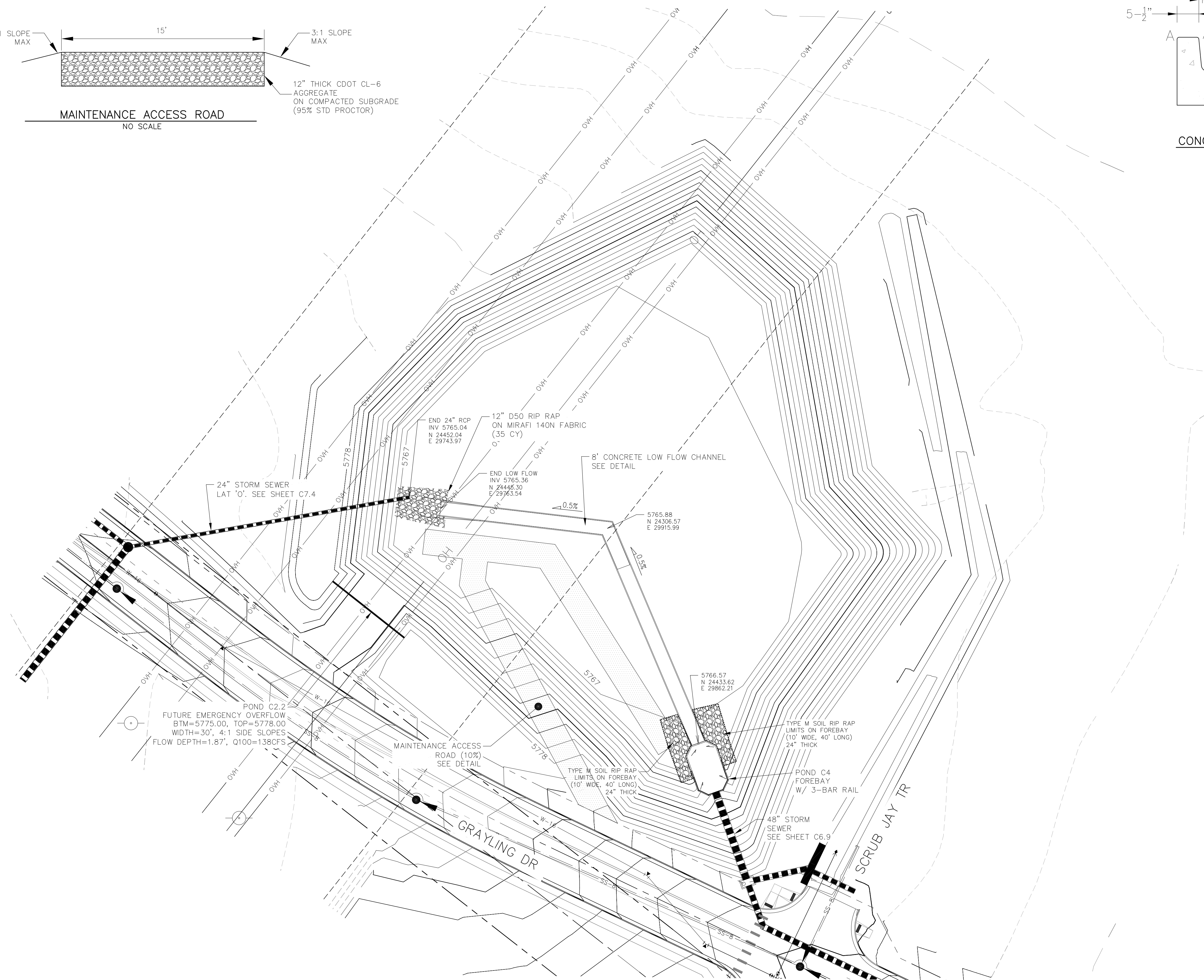
SHEET NUMBER
C9.9

TOTAL SHEETS: 58



CONCRETE LOW FLOW CHANNEL DETAIL
NO SCALE

LENGTH FOR RADII	
A	= 1/2"
C	= 1-1/2"



CORE ENGINEERING GROUP
15004 1ST AVENUE S.
DENVER, CO 80202
PHONE: 719.570.1100
CONTACT: RICHARD L. SCHINDLER, P.E.
EMAIL: Rich@ceg1.com

DATE: _____
DESCRIPTION: _____
NO: _____

PREPARED FOR:
THE HILLS COLLECTOR STREET CONSTRUCTION
212 N. WAHSATCH AVE, SUITE 301
COLORADO SPRINGS, COLORADO 80903
LORSON, LLC
LORSON BLVD-WALLEYE DR-LAMPREY DR
COLORADO SPRINGS, COLORADO
CONTACT: JEFF MARK

DRAWN: RLS
DESIGNED: RLS
CHECKED: RLS

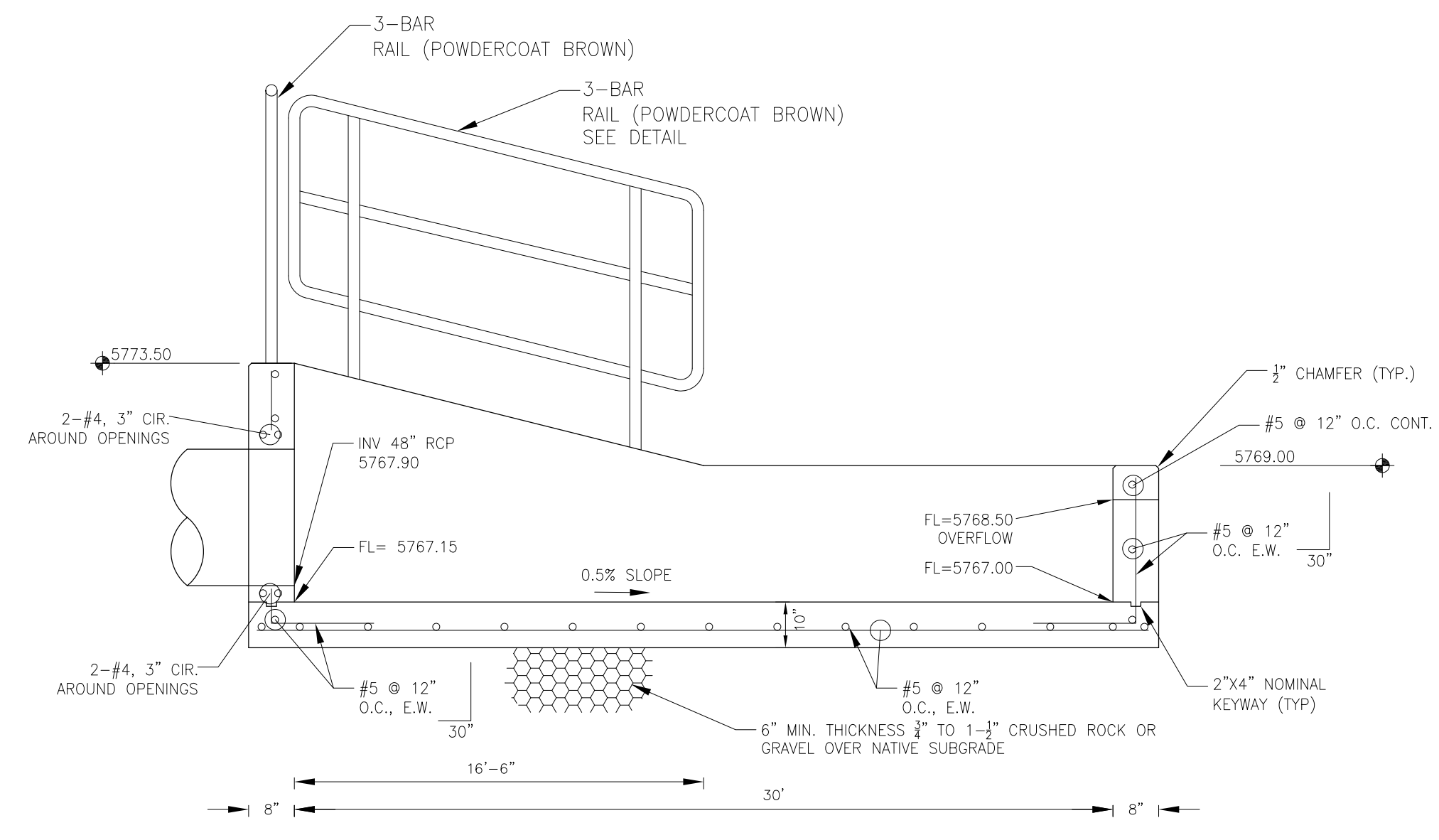
POND C4 FOREBAY & LOW FLOW CHANNEL LAYOUT

DATE:
AUGUST 2, 2020

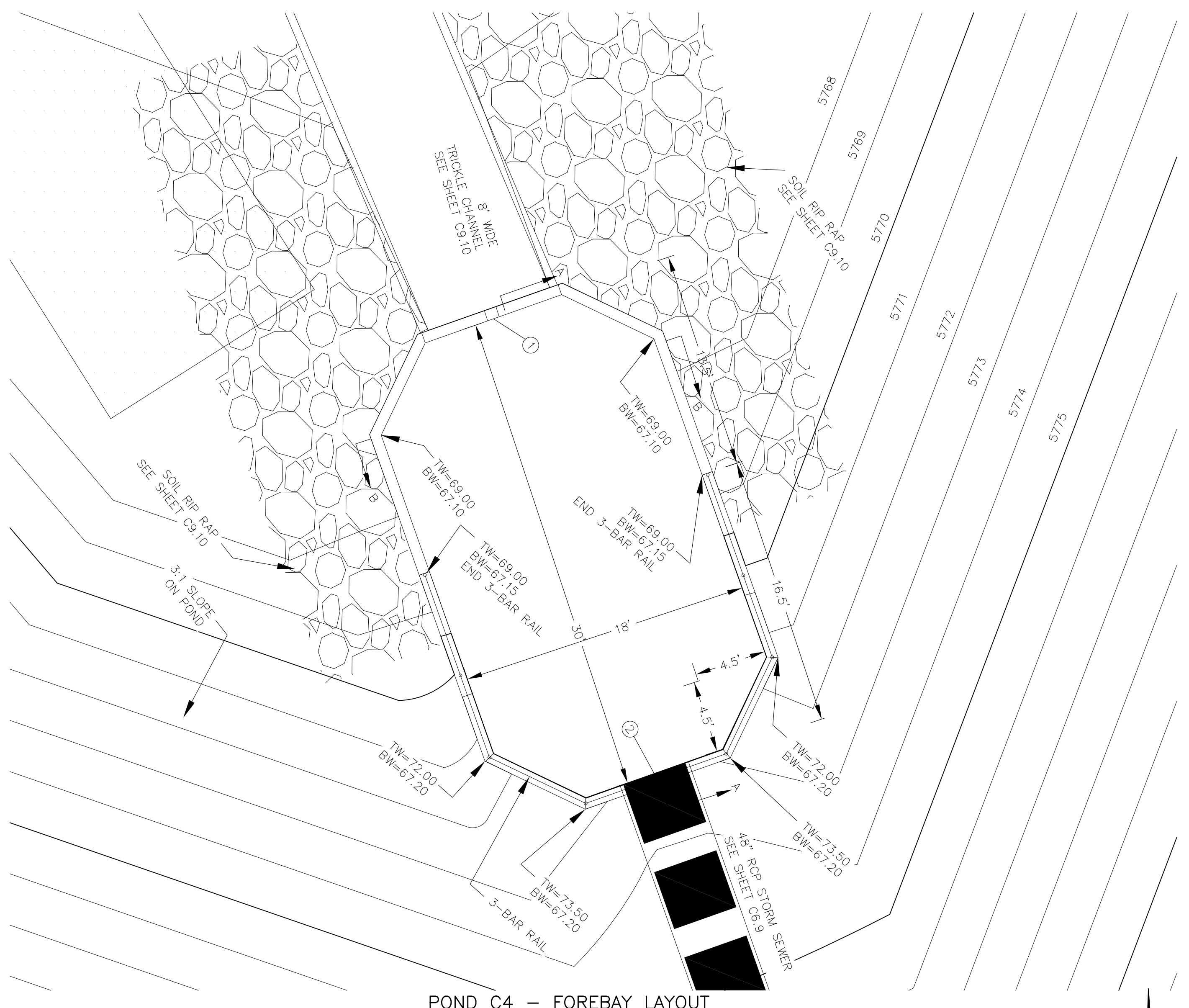
PROJECT NO.
100.061

SHEET NUMBER
C9.10

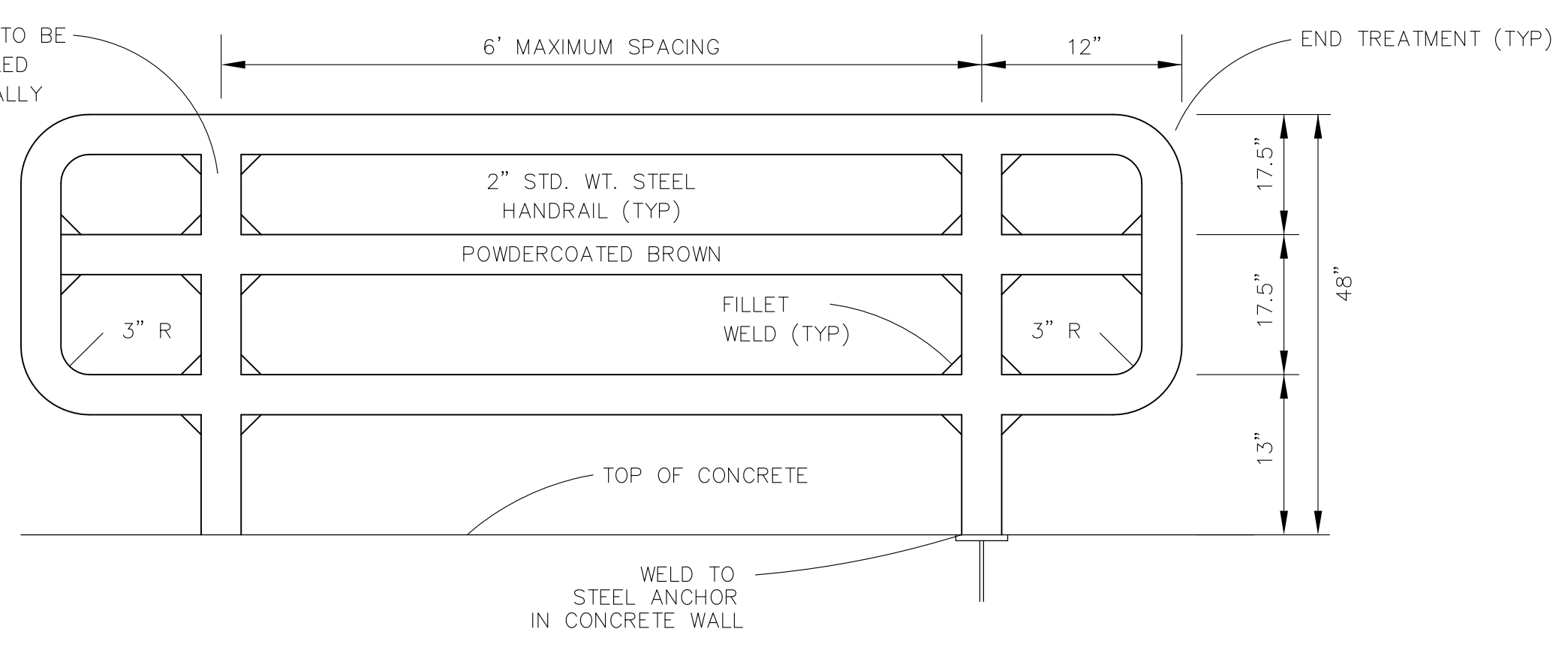
TOTAL SHEETS: 58



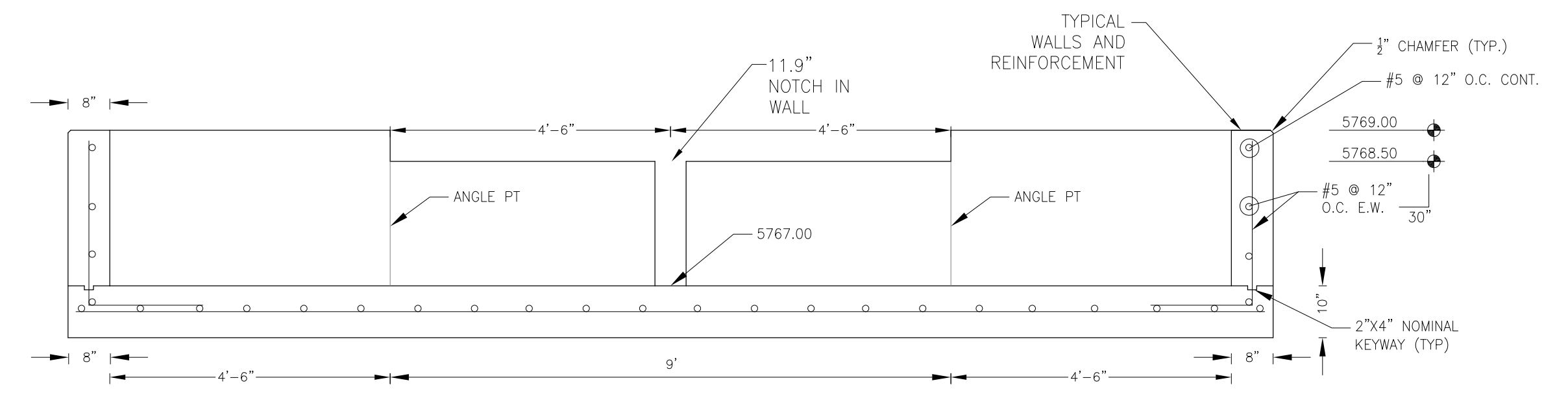
FOREBAY SECTION A-A
 NO SCALE



POND C4 - FOREBAY LAYOUT
 SCALE: 1"=5'



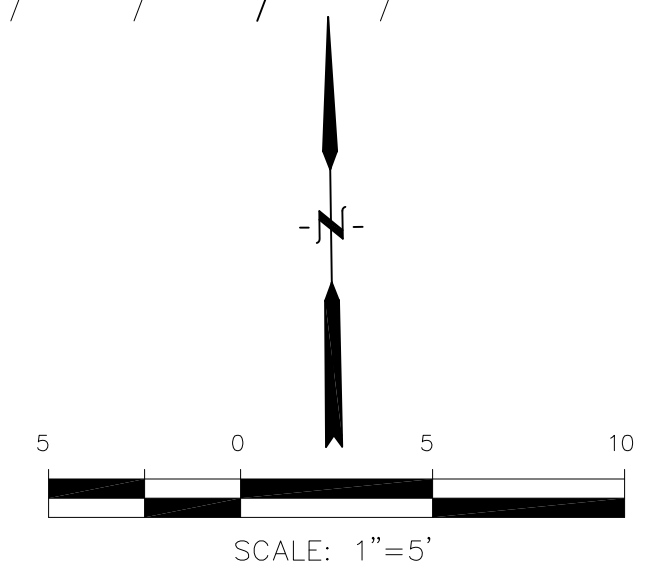
3-BAR RAIL DETAIL
 NO SCALE

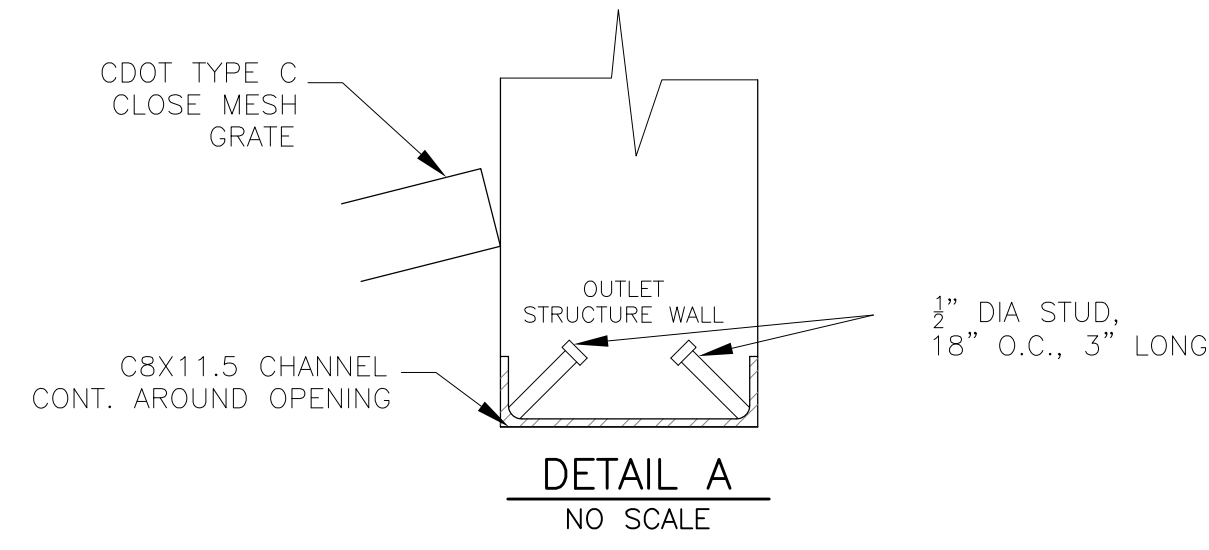


FOREBAY SECTION B-B
 NO SCALE

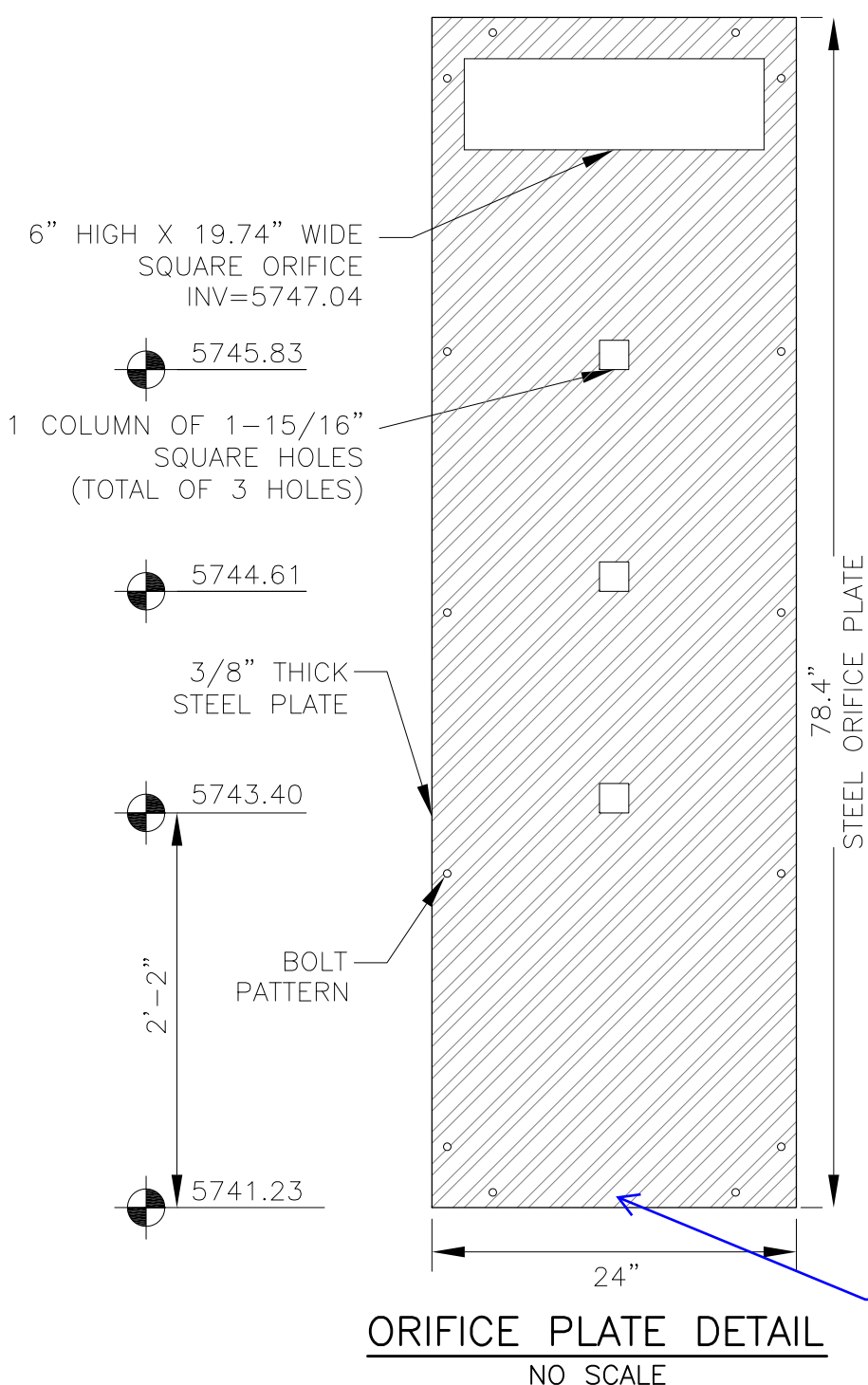
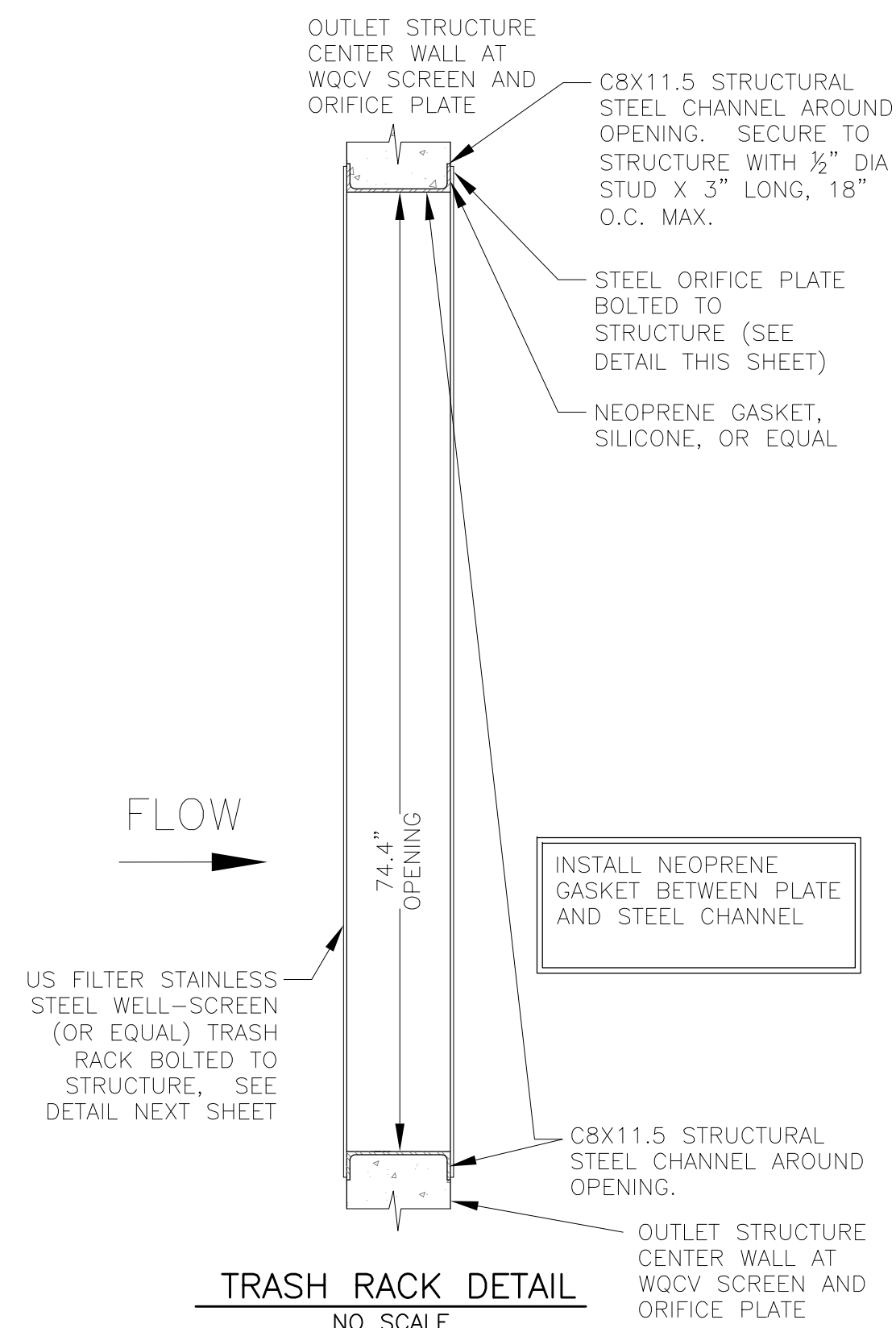
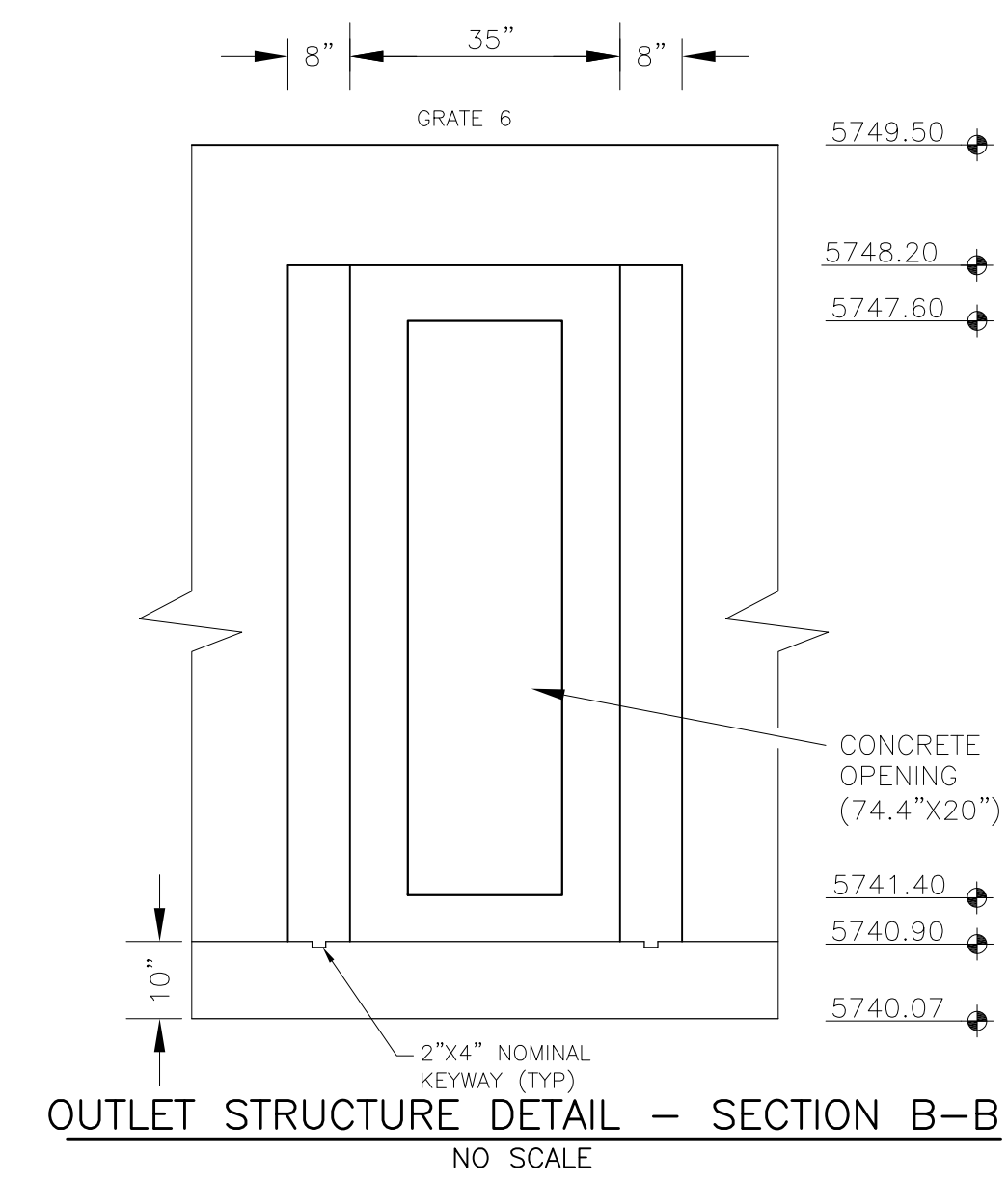
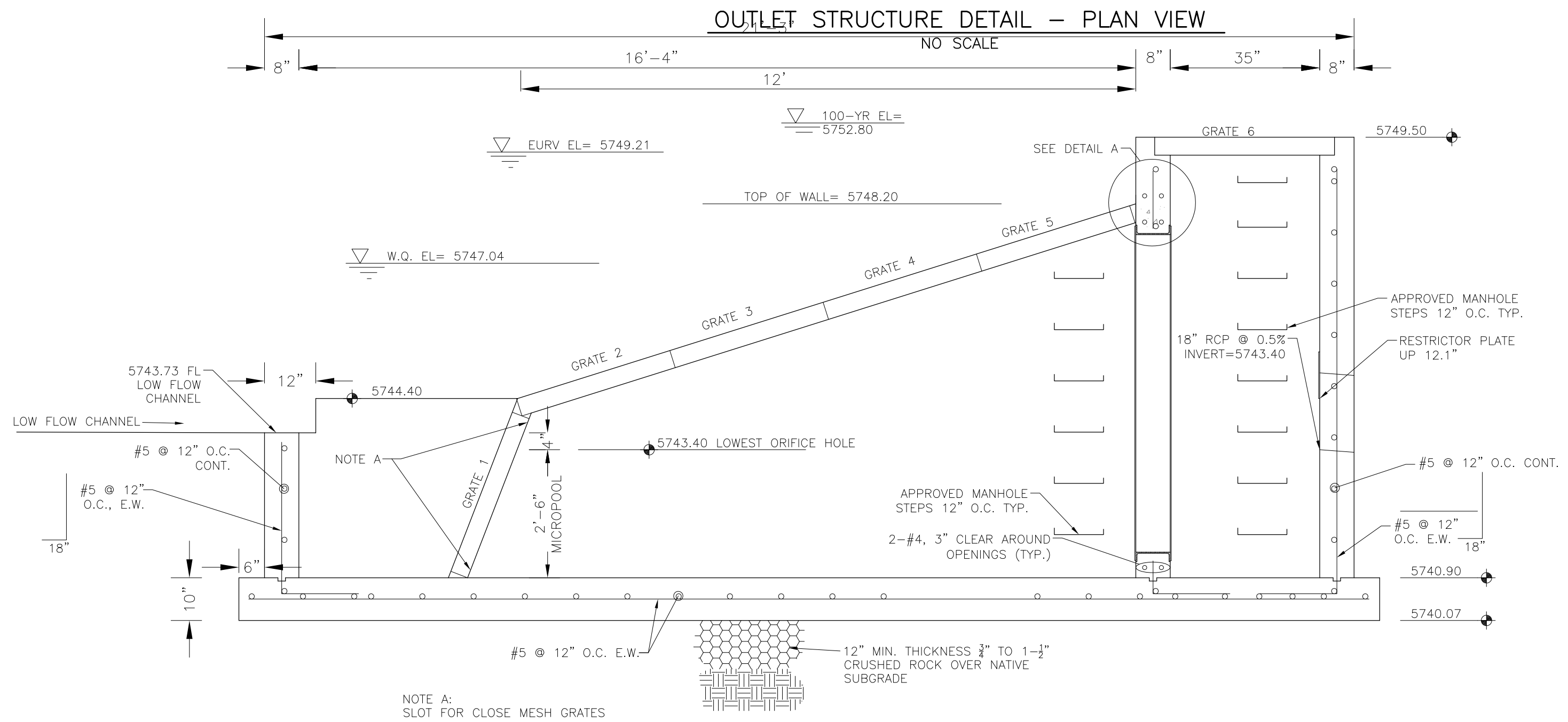
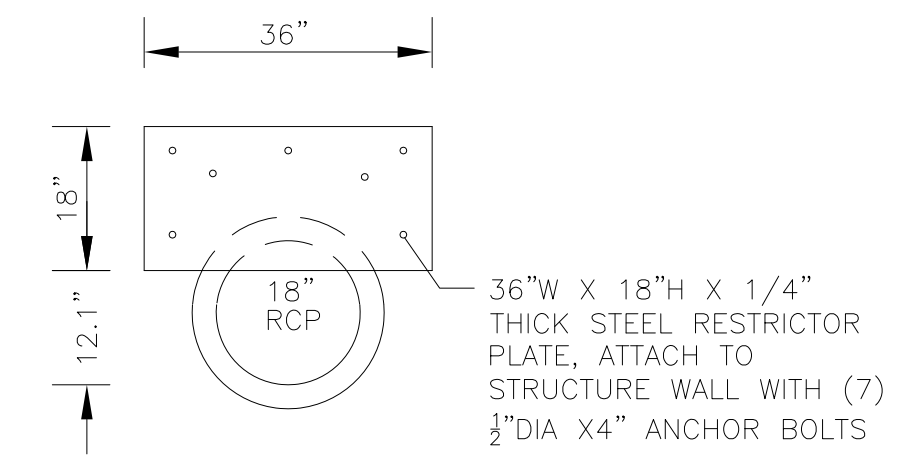
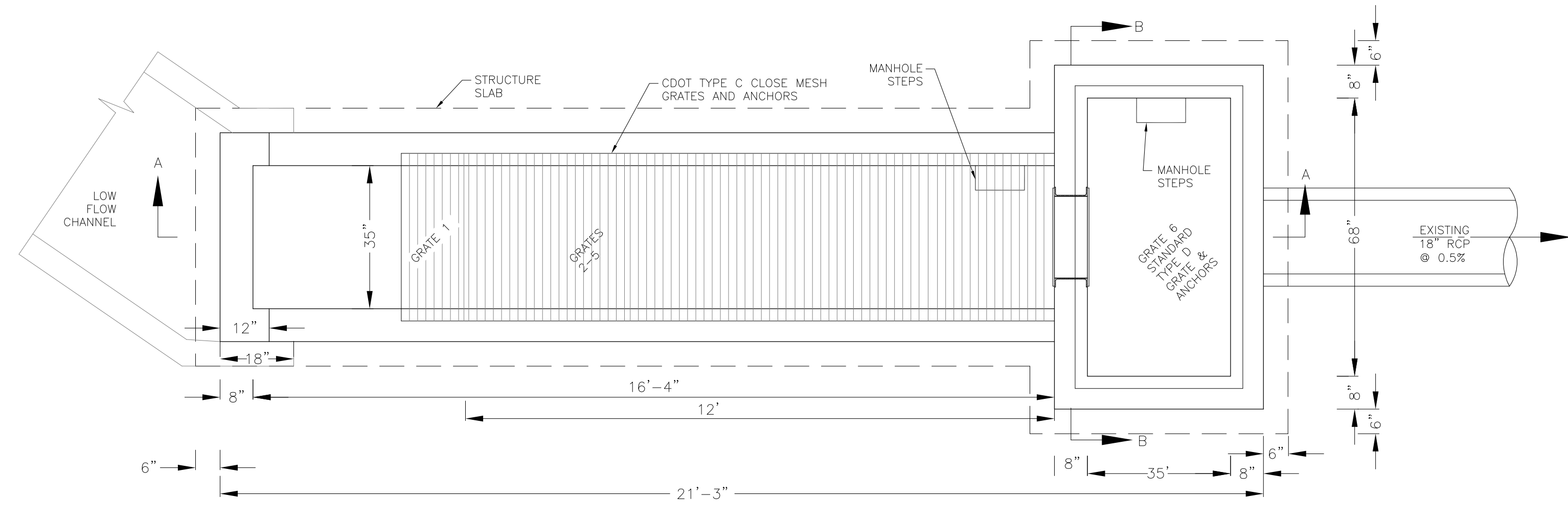
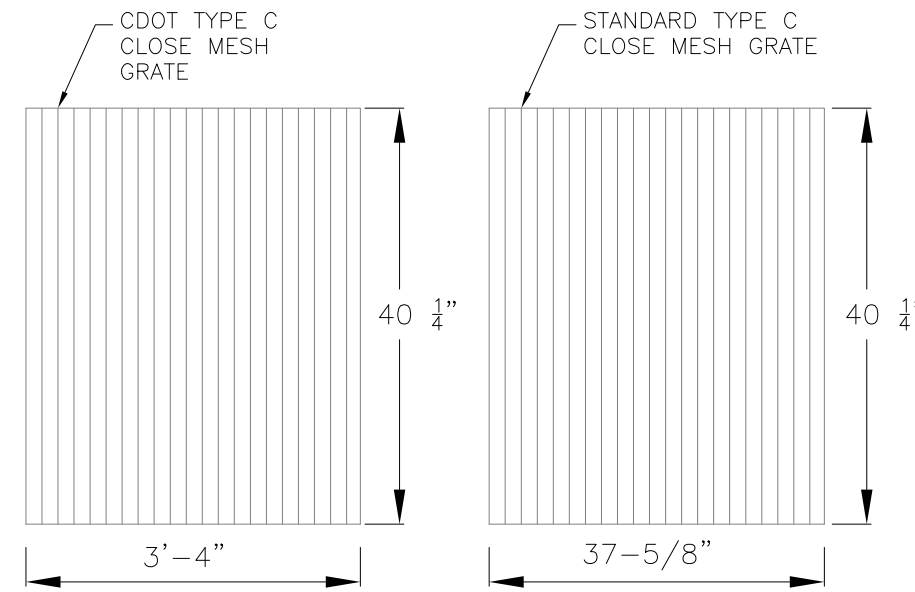
NOTE: ALL CONCRETE FOR FOREBAY SHALL BE CDOT TYPE D

POINT TABLE (FOREBAY)				
NUMBER	NORTHING	EASTING	ELEVATION	NOTES
1	24305.96	29916.27	5767.00	FOREBAY BOTTOM
2	24277.68	29926.27	5767.15	FOREBAY BOTTOM, INV 48"=5767.90





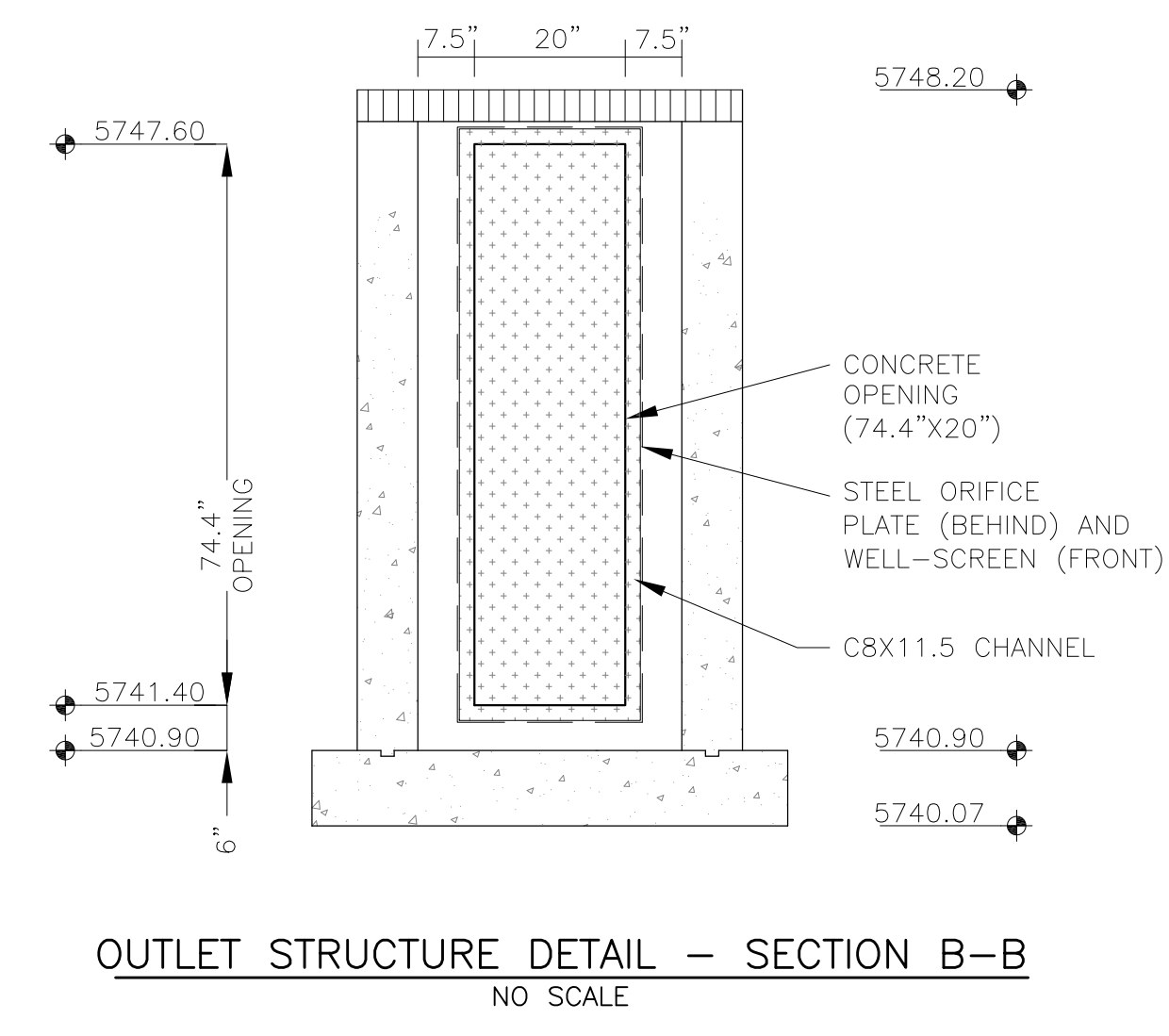
NOTE:
AFTER CONCRETE STRUCTURE HAS BEEN POURED
ALL GRATE DIMENSIONS SHALL BE FIELD VERIFIED
PRIOR TO GRATE CONSTRUCTION



OUTLET STRUCTURE, FOREBAY, AND DRAIN CHANNEL NOTES:

- PRIOR TO CONSTRUCTION, CONTRACTOR SHALL PROVIDE SHOP DRAWINGS FOR ALL COMPONENTS OF THE OUTLET STRUCTURE.
 - GRADE 60 REINFORCING STEEL REQUIRED. SEE TABLE FOR THE MINIMUM LAP SPLICE LENGTH FOR REINFORCING BARS. ALL REINFORCING STEEL SHALL HAVE A TWO-INCH MINIMUM CLEARANCE FROM EDGE OF CONCRETE, UNLESS OTHERWISE NOTED.
- | BAR SIZE | #4 | #5 | #6 |
|--------------------|-------|-------|-------|
| MIN. SPLICE LENGTH | 1'-3" | 1'-7" | 2'-0" |
- CONCRETE FOR THE OUTLET STRUCTURE AND FOREBAY SHALL BE CDOT CLASS D CONCRETE.
 - CONCRETE FOR DRAIN CHANNELS SHALL BE CDOT CLASS B CONCRETE.
 - EXPANSION JOINT MATERIAL SHALL MEET AASHTO SPECIFICATION M-213. EXPANSION JOINT MATERIAL SHALL BE 1/2" THICK, SHALL EXTEND THE FULL DEPTH OF CONTACT SURFACE AND THE JOINT SHALL BE SEALED, REFER TO DETAILS.
 - ALL EXPOSED CONCRETE CORNERS SHALL HAVE A 3/8" CHAMFER UNLESS OTHERWISE NOTED.
 - SUBGRADE TO BE 12" THICK CLEAN FILL COMPACTED TO 95% STANDARD PROCTOR DENSITY PER ASTM M698 UNDER STRUCTURE.
 - REFER TO POND DETAILS FOR PRESEDIMENTATION/FOREBAY DESIGN.
 - ENGINEER SHALL BE NOTIFIED PRIOR TO BEGINNING CONSTRUCTION OF OUTLET STRUCTURE TO SCHEDULE OBSERVATION VISITS FOR STRUCTURES.

- WQCV WELL-SCREEN NOTES:**
- Well-Screen shall be stainless steel and attached by stainless steel bolts along edge of the mounting frame.
 - WQCV Well Screen
 - Type of Screen: Stainless steel #93 Vee Wire
 - (Johnson Vee Wire (tm) Stainless Steel Screen or equivalent with 60% open area)
 - Screen slot opening dimension: 0.139" (Screen #93 Vee Wire Slot Opening)
 - Type and Size of Support Rod: TE 0.074"x0.50"
 - Spacing of Support Rod (O.C.): 1.0 Inch
 - Total Screen Thickness: 0.655"
 - Carbon Steel Holding Frame Type: 3/4" x 1.0" angle



CORE ENGINEERING GROUP
15004 1ST AVENUE S.
PH: 719.570.5506
PH: 719.570.1100
CONTACT: RICHARD L. SCHINDLER, P.E.
EMAIL: Rich@cag1.com

DATE: _____

DESCRIPTION: _____

NO: _____

PREPARED FOR: **LORSON, LLC**
212 N. WAHSATCH AVE. SUITE 301
COLORADO SPRINGS, COLORADO 80903
CONTACT: JEFF MARK

PROJECT: **THE HILLS COLLECTOR STREET CONSTRUCTION**
FONTAINE BLVD. - GRAYLING DR
LORSON BLVD - WALLEE DR - LAMPREY DR
COLORADO SPRINGS, COLORADO

DRAWN: RLS
DESIGNED: RLS
CHECKED: RLS

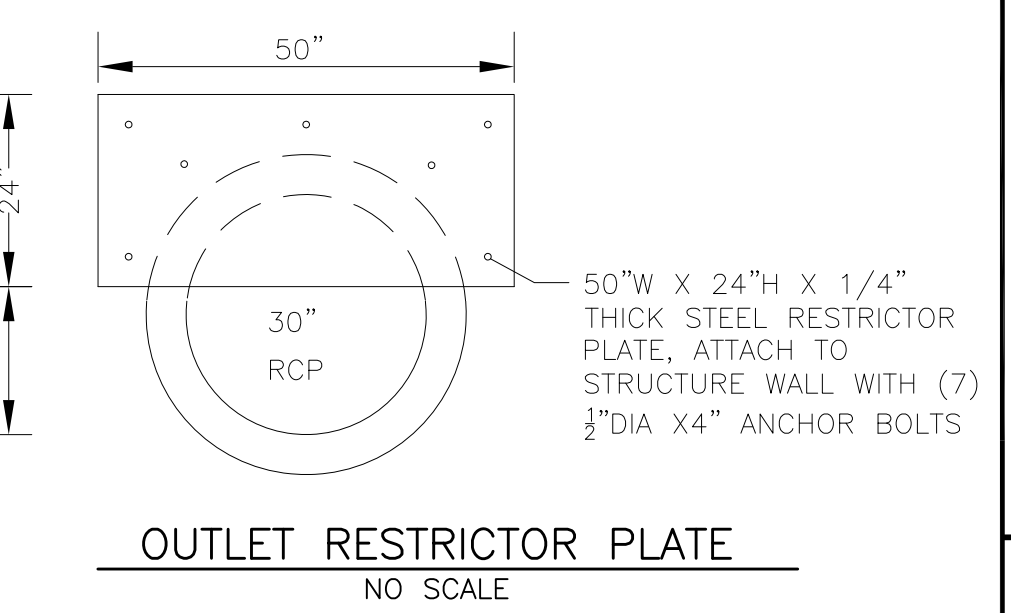
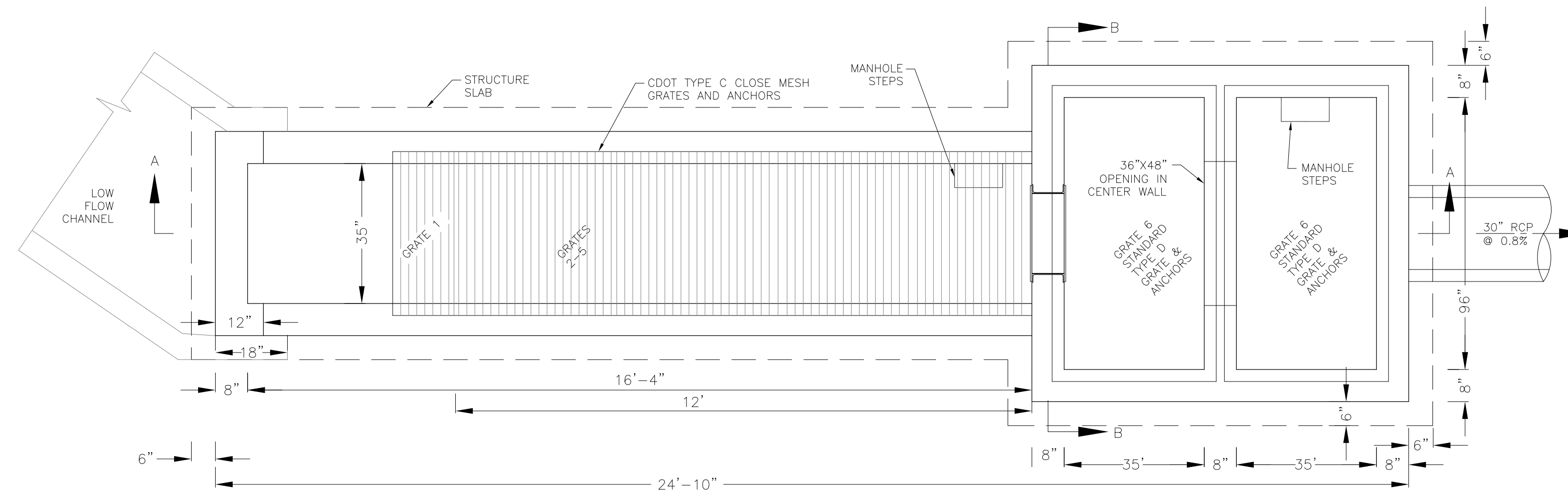
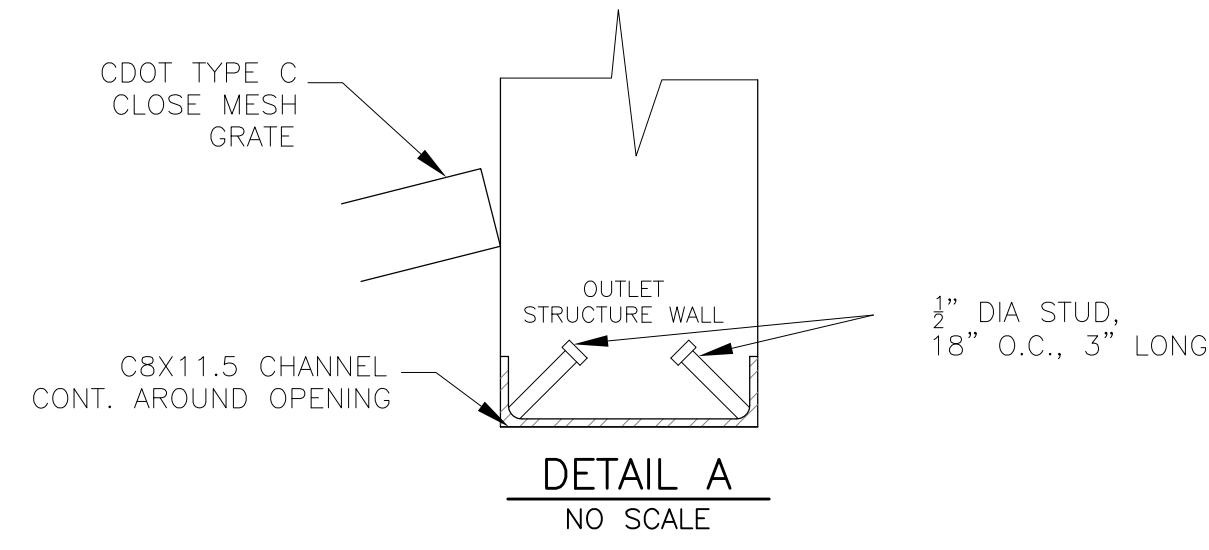
POND C1
FULL SPECTRUM
OUTLET STRUCTURE DETAILS

DATE: **AUGUST 2, 2020**

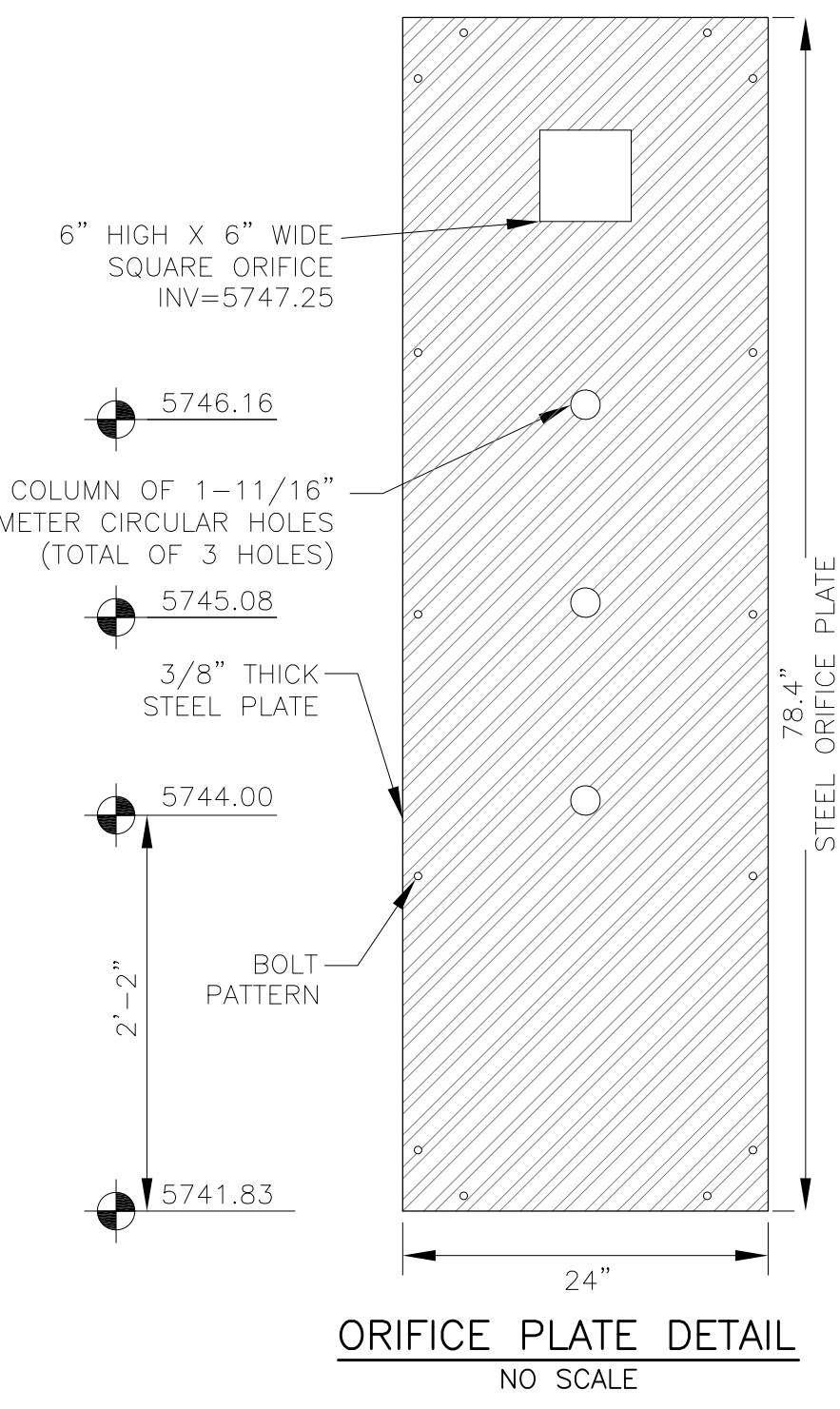
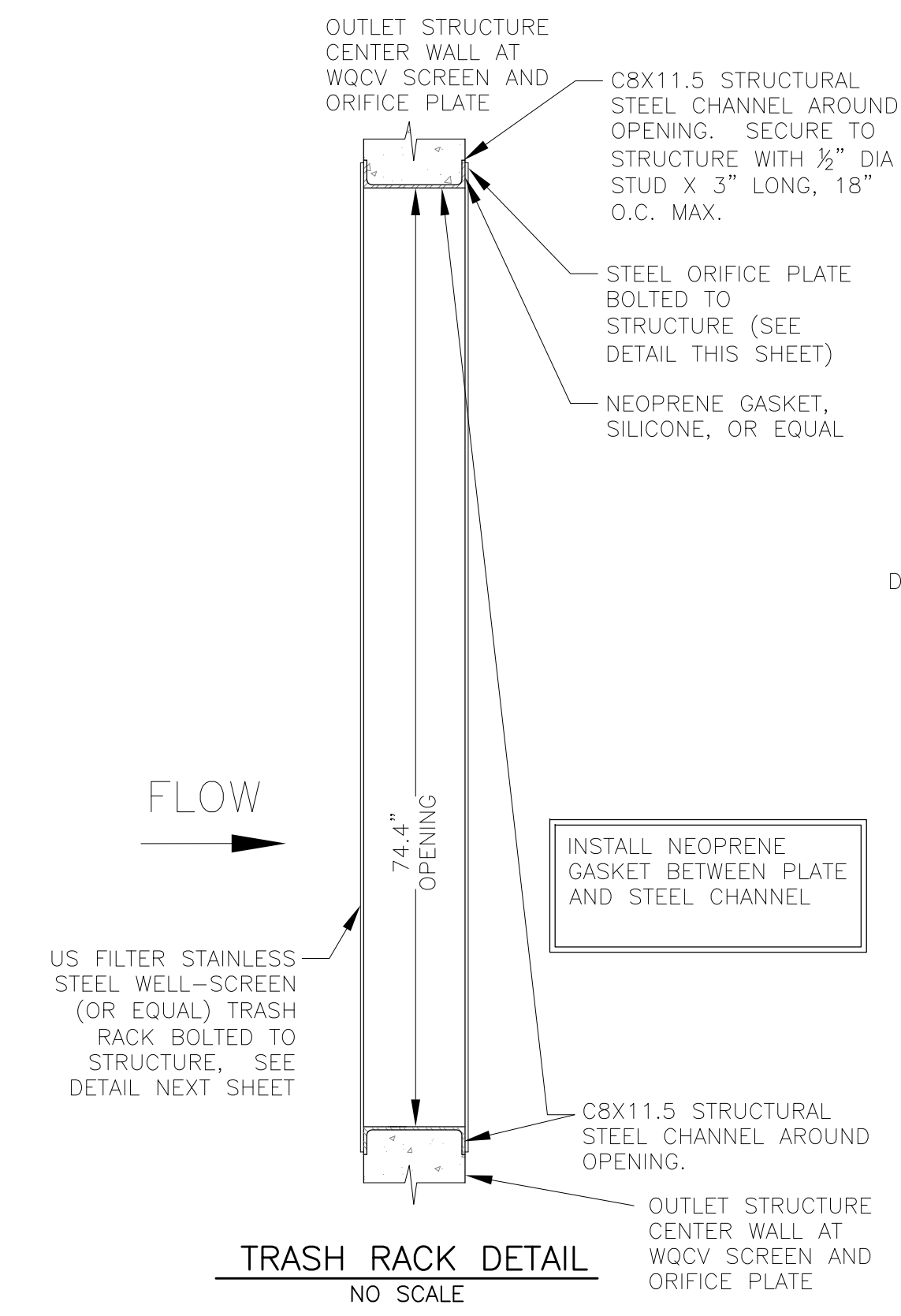
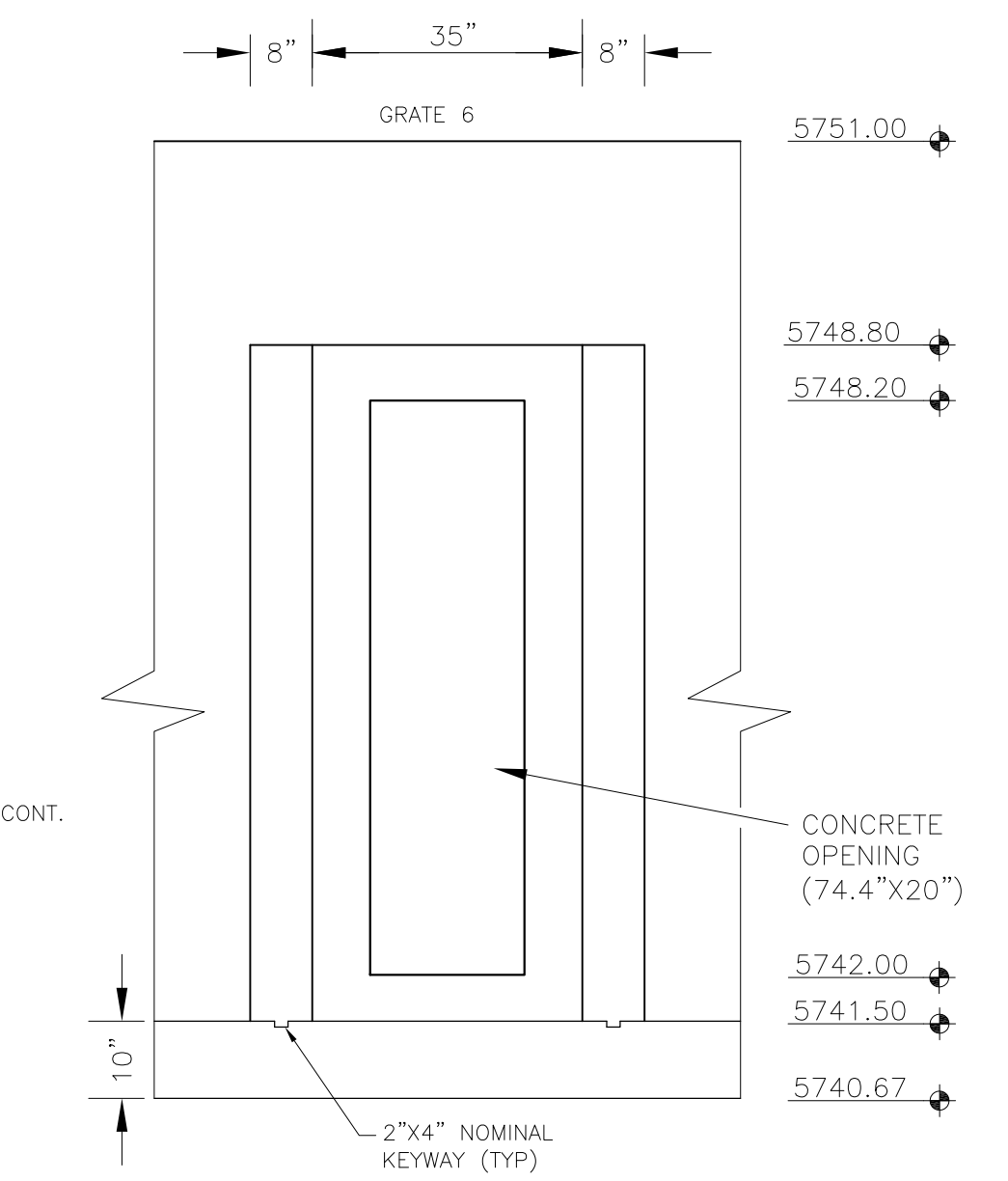
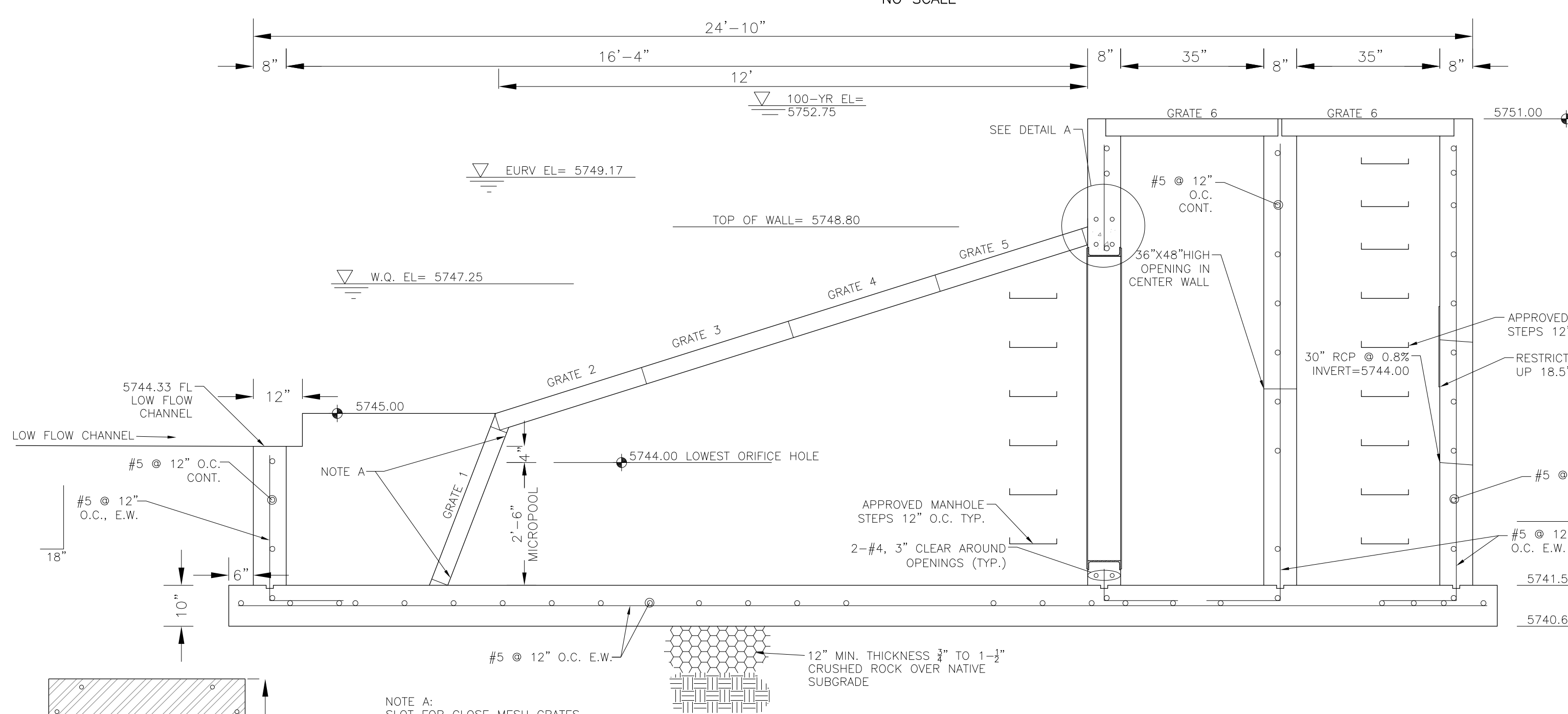
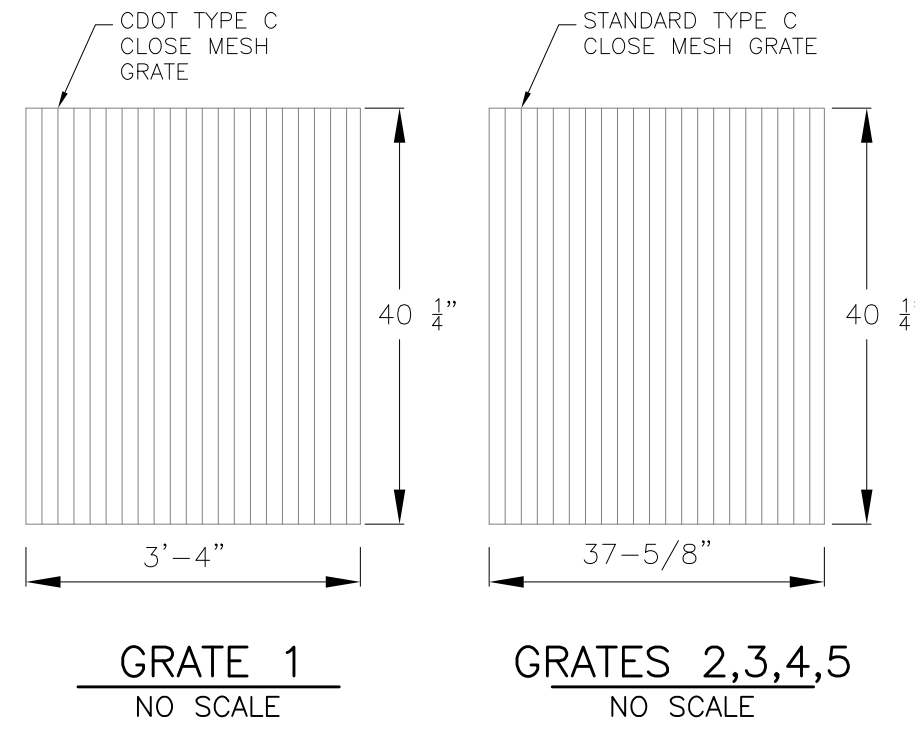
PROJECT NO: **100.061**

SHEET NUMBER: **C9.12**

TOTAL SHEETS: 58



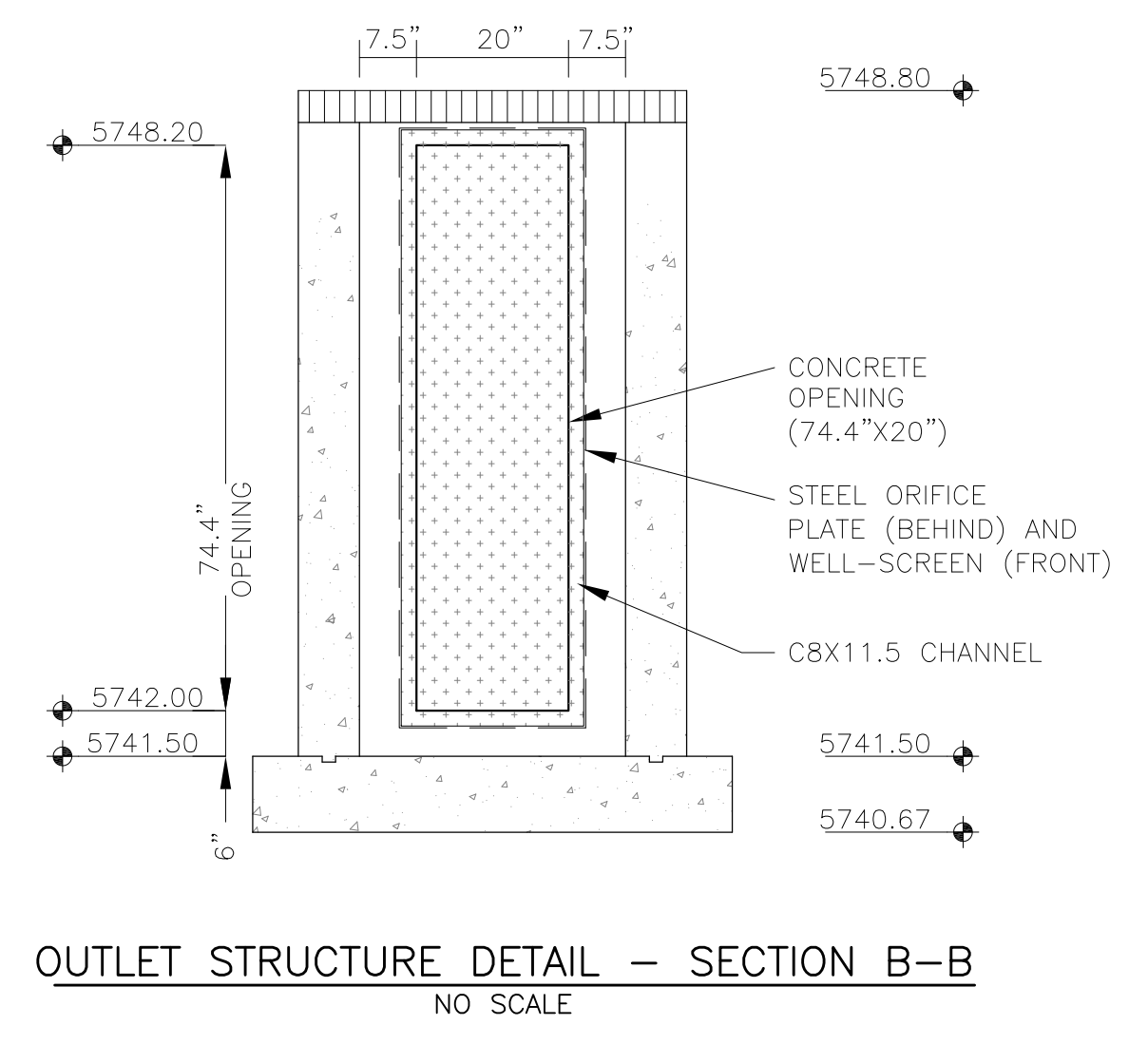
NOTE:
AFTER CONCRETE STRUCTURE HAS BEEN POURED
ALL GRATE DIMENSIONS SHALL BE FIELD VERIFIED
PRIOR TO GRATE CONSTRUCTION



OUTLET STRUCTURE, FOREBAY, AND DRAIN CHANNEL NOTES:

- PRIOR TO CONSTRUCTION, CONTRACTOR SHALL PROVIDE SHOP DRAWINGS FOR ALL COMPONENTS OF THE OUTLET STRUCTURE.
 - GRADE 60 REINFORCING STEEL REQUIRED. SEE TABLE FOR THE MINIMUM LAP SPLICE LENGTH FOR REINFORCING BARS. ALL REINFORCING STEEL SHALL HAVE A TWO-INCH MINIMUM CLEARANCE FROM EDGE OF CONCRETE, UNLESS OTHERWISE NOTED.
- | BAR SIZE | #4 | #5 | #6 |
|--------------------|-------|-------|-------|
| MIN. SPLICE LENGTH | 1'-3" | 1'-7" | 2'-0" |
- CONCRETE FOR THE OUTLET STRUCTURE AND FOREBAY SHALL BE CDOT CLASS D CONCRETE.
 - CONCRETE FOR DRAIN CHANNELS SHALL BE CDOT CLASS B CONCRETE
 - EXPANSION JOINT MATERIAL SHALL MEET AASHTO SPECIFICATION M-213. EXPANSION JOINT MATERIAL SHALL BE 1/2" THICK, SHALL EXTEND THE FULL DEPTH OF CONTACT SURFACE AND THE JOINT SHALL BE SEALED, REFER TO DETAILS.
 - ALL EXPOSED CONCRETE CORNERS SHALL HAVE A 3/8" CHAMFER UNLESS OTHERWISE NOTED.
 - SUBGRADE TO BE 12" THICK CLEAN FILL COMPACTED TO 95% STANDARD PROCTOR DENSITY PER ASTM M698 UNDER STRUCTURE.
 - REFER TO POND DETAILS FOR PRESEDIMENTATION/FOREBAY DESIGN.
 - ENGINEER SHALL BE NOTIFIED PRIOR TO BEGINNING CONSTRUCTION OF OUTLET STRUCTURE TO SCHEDULE OBSERVATION VISITS FOR STRUCTURES.

- WQCV WELL-SCREEN NOTES:**
- Well-Screen shall be stainless steel and attached by stainless steel bolts along edge of the mounting frame.
 - WQCV Well Screen
 - Type of Screen: Stainless steel #93 Vee Wire (Johnson Vee Wire (tm) Stainless Steel Screen or equivalent with 60% open area)
 - Screen slot opening dimension: 0.139" (Screen #93 Vee Wire Slot Opening)
 - Type and Size of Support Rod: TE 0.074"x0.50"
 - Spacing of Support Rod (O.C.): 1.0 Inch
 - Total Screen Thickness: 0.655"
 - Carbon Steel Holding Frame Type: 3/4" x 1.0" angle



CORE ENGINEERING GROUP
 15004 1ST AVENUE S.
 PHOENIX, AZ 85006
 CONTACT: RICHARD L. SCHINDLER, P.E.
 PH: 719.570.1100
 EMAIL: Rich@cag1.com

DATE: _____

DESCRIPTION: _____

NO. _____

PROJECT: **THE HILLS COLLECTOR STREET CONSTRUCTION**
 212 N. WAHSATCH AVE., SUITE 301
 COLORADO SPRINGS, COLORADO 80903
 (719) 635-3200
 CONTACT: JEFF MARK

PREPARED FOR: **LORSON, LLC**
 212 N. WAHSATCH AVE., SUITE 301
 COLORADO SPRINGS, COLORADO 80903
 CONTACT: JEFF MARK

DRAWN: RLS
 DESIGNED: RLS
 CHECKED: RLS

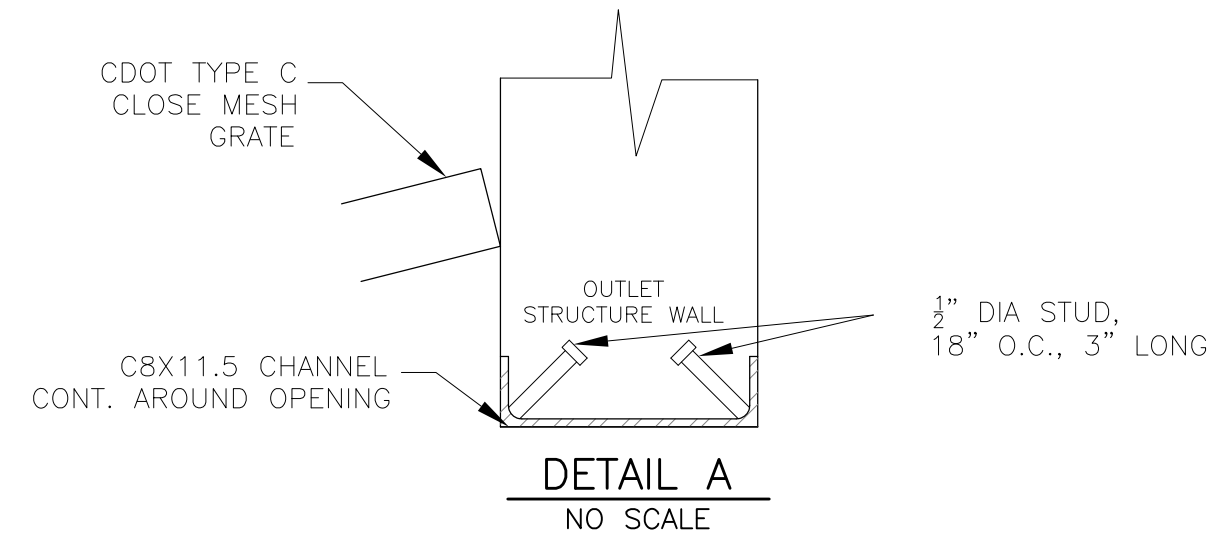
POND C2.2
FULL SPECTRUM
OUTLET STRUCTURE DETAILS

DATE: AUGUST 2, 2020

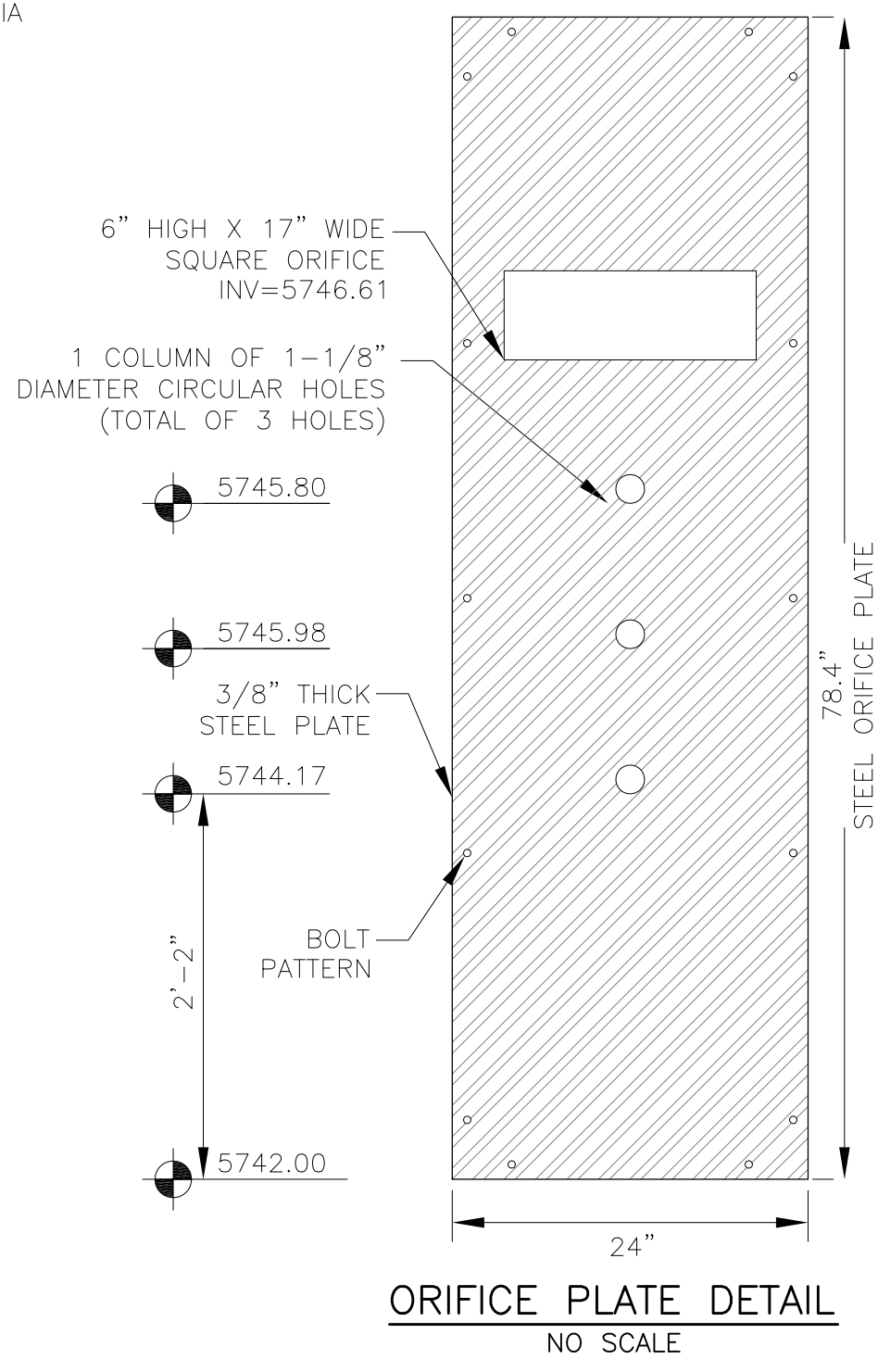
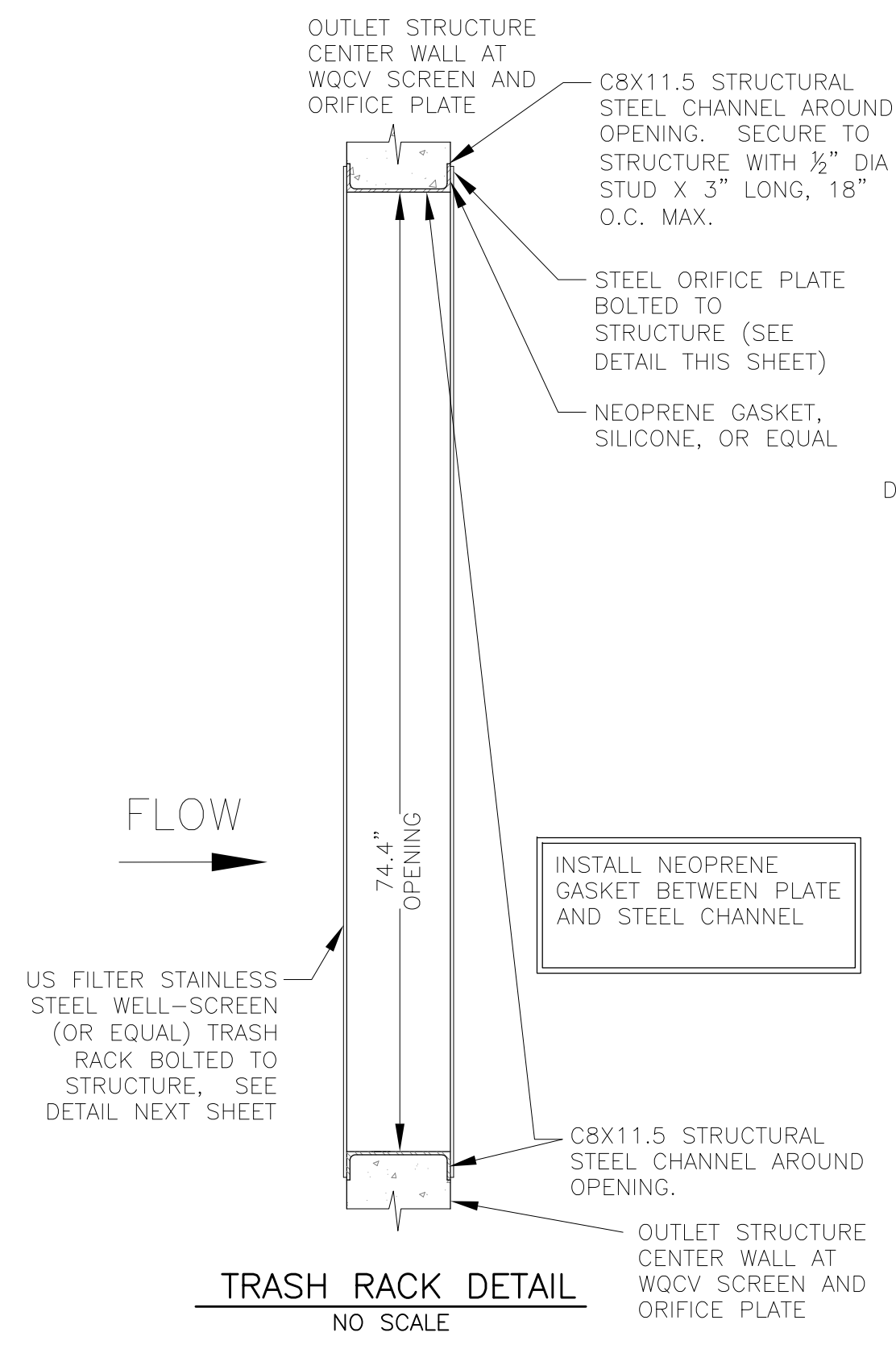
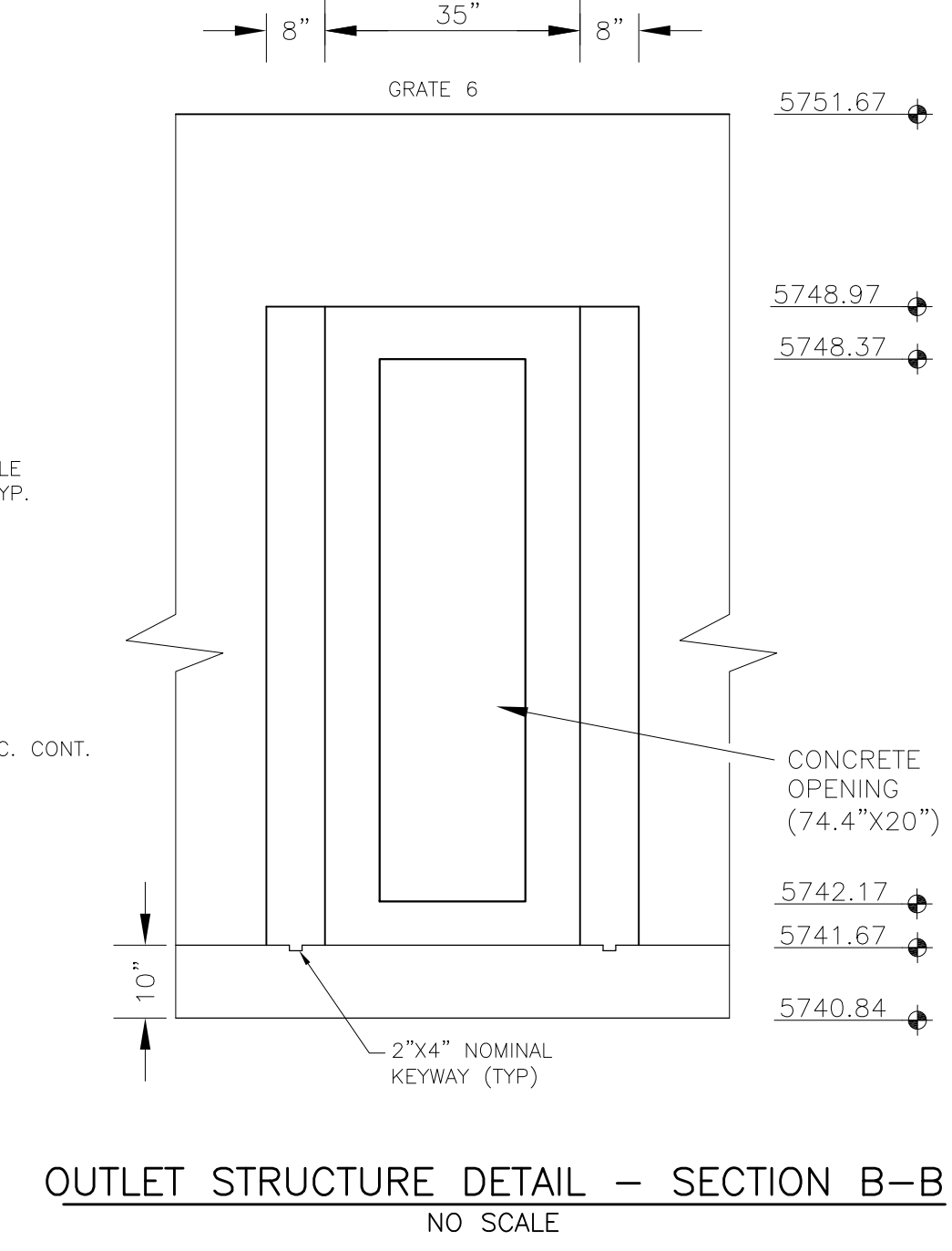
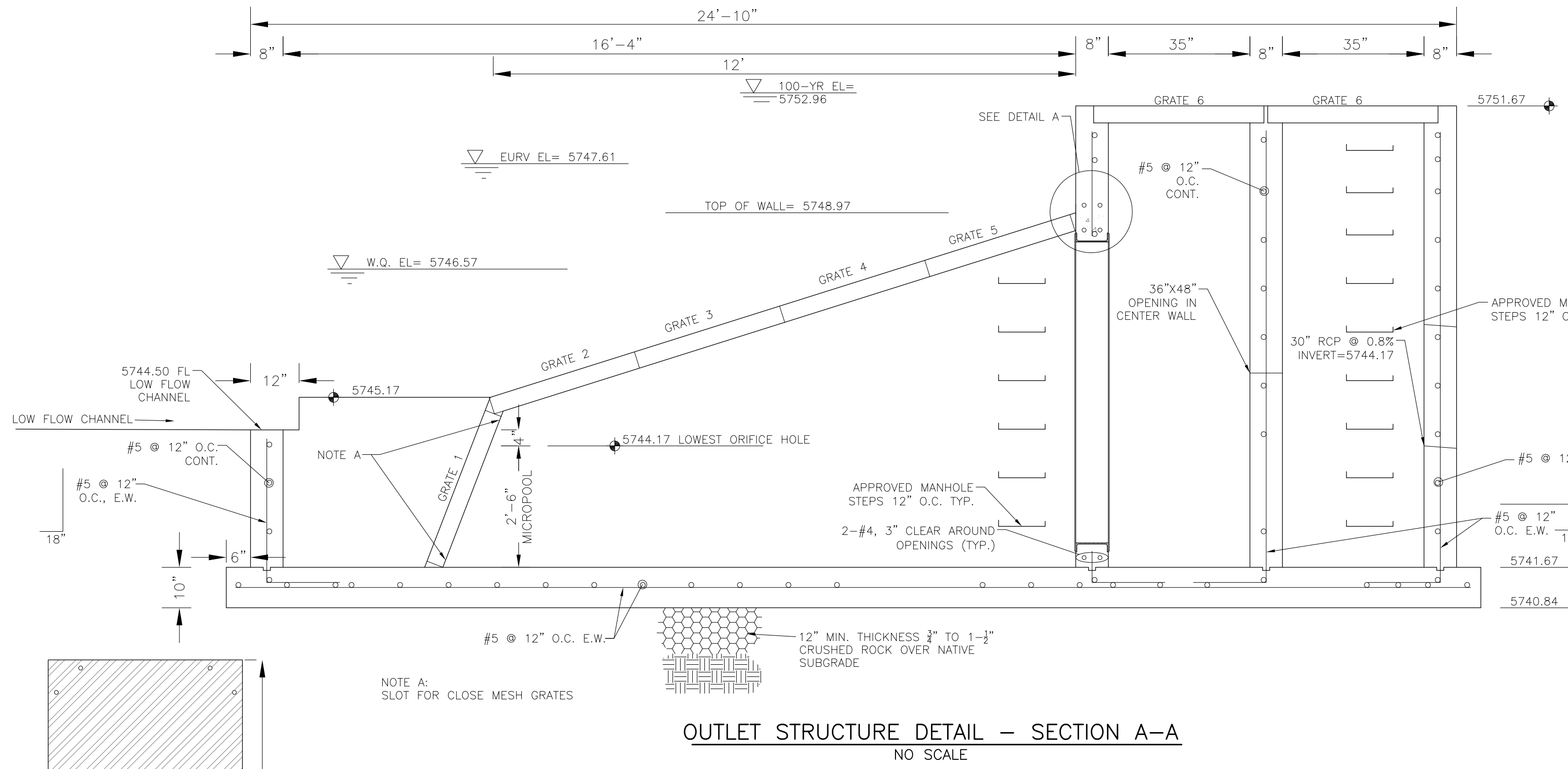
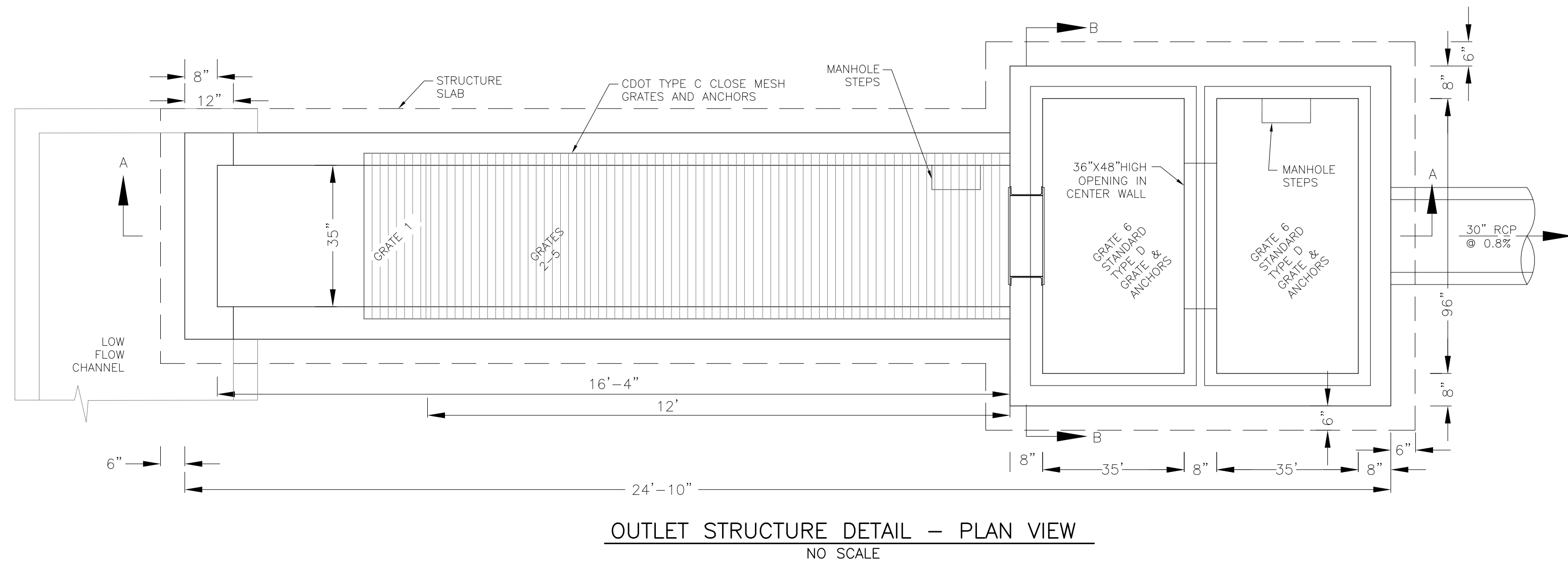
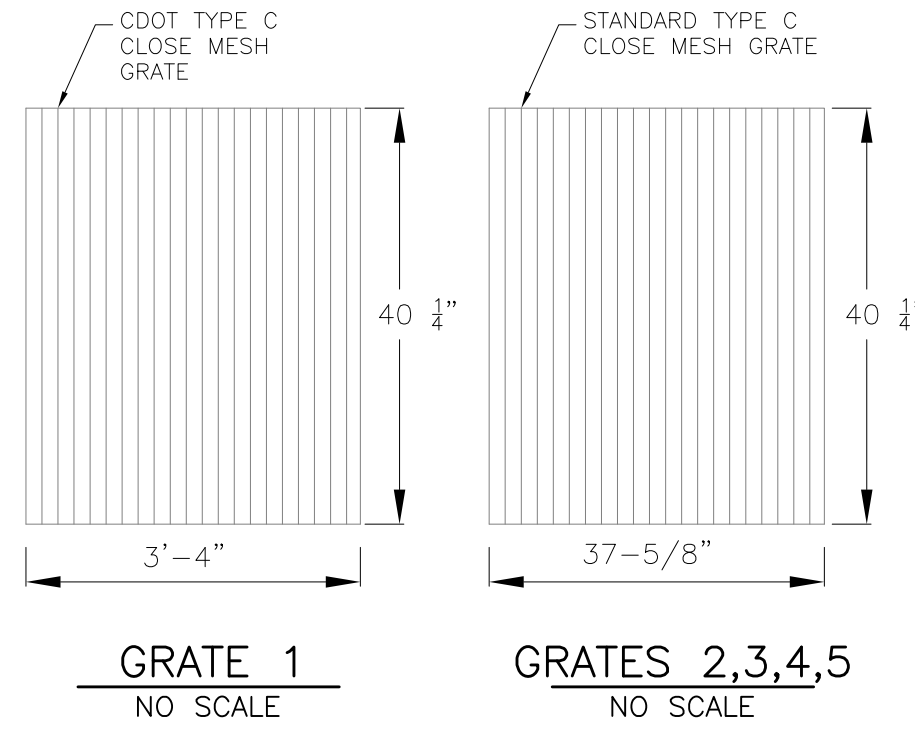
PROJECT NO. 100.061

SHEET NUMBER **C9.13**

TOTAL SHEETS: 58



NOTE:
AFTER CONCRETE STRUCTURE HAS BEEN POURED
ALL GRATE DIMENSIONS SHALL BE FIELD VERIFIED
PRIOR TO GRATE CONSTRUCTION



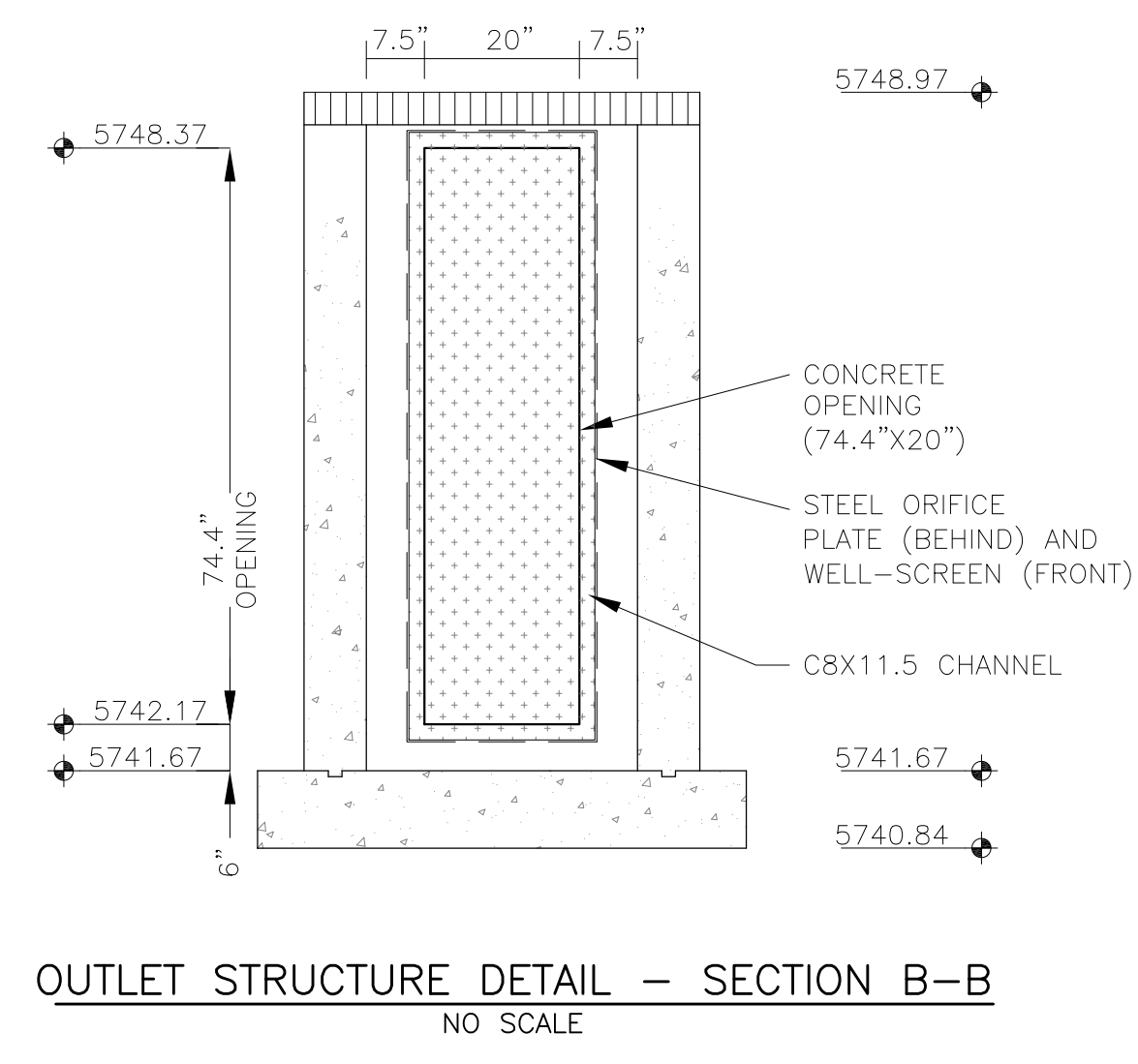
OUTLET STRUCTURE, FOREBAY, AND DRAIN CHANNEL NOTES:

- PRIOR TO CONSTRUCTION, CONTRACTOR SHALL PROVIDE SHOP DRAWINGS FOR ALL COMPONENTS OF THE OUTLET STRUCTURE.
- GRADE 60 REINFORCING STEEL REQUIRED. SEE TABLE FOR THE MINIMUM LAP SPLICE LENGTH FOR REINFORCING BARS. ALL REINFORCING STEEL SHALL HAVE A TWO-INCH MINIMUM CLEARANCE FROM EDGE OF CONCRETE, UNLESS OTHERWISE NOTED.
- CONCRETE FOR THE OUTLET STRUCTURE AND FOREBAY SHALL BE CDOT CLASS D CONCRETE.
- CONCRETE FOR DRAIN CHANNELS SHALL BE CDOT CLASS B CONCRETE
- EXPANSION JOINT MATERIAL SHALL MEET AASHTO SPECIFICATION M-213. EXPANSION JOINT MATERIAL SHALL BE 1/2" THICK, SHALL EXTEND THE FULL DEPTH OF CONTACT SURFACE AND THE JOINT SHALL BE SEALED, REFER TO DETAILS.
- ALL EXPOSED CONCRETE CORNERS SHALL HAVE A 3/8" CHAMFER UNLESS OTHERWISE NOTED.
- SUBGRADE TO BE 12" THICK CLEAN FILL COMPACTED TO 95% STANDARD PROCTOR DENSITY PER ASTM M698 UNDER STRUCTURE.
- REFER TO POND DETAILS FOR PRESEDIMENTATION/FOREBAY DESIGN.
- ENGINEER SHALL BE NOTIFIED PRIOR TO BEGINNING CONSTRUCTION OF OUTLET STRUCTURE TO SCHEDULE OBSERVATION VISITS FOR STRUCTURES.

BAR SIZE	#4	#5	#6
MIN. SPLICE LENGTH	1'-3"	1'-7"	2'-0"

WQCV WELL-SCREEN NOTES:

- Well-Screen shall be stainless steel and attached by stainless steel bolts along edge of the mounting frame.
- WQCV Well Screen
 - Type of Screen: Stainless steel #93 Vee Wire (Johnson Vee Wire (tm) Stainless Steel Screen or equivalent with 60% open area)
 - Screen slot opening dimension: 0.139" (Screen #93 Vee Wire Slot Opening)
 - Type and Size of Support Rod: TE 0.074"x0.50"
 - Spacing of Support Rod (O.C.): 1.0 Inch
 - Total Screen Thickness: 0.655"
 - Carbon Steel Holding Frame Type: 3/4" x 1.0" angle



CORE ENGINEERING GROUP
15004 1ST AVENUE S.
DENVER, CO 80202
PH: 719.570.1100
CONTACT: RICHARD L. SCHINDLER, P.E.
EMAIL: Rich@cengr.com

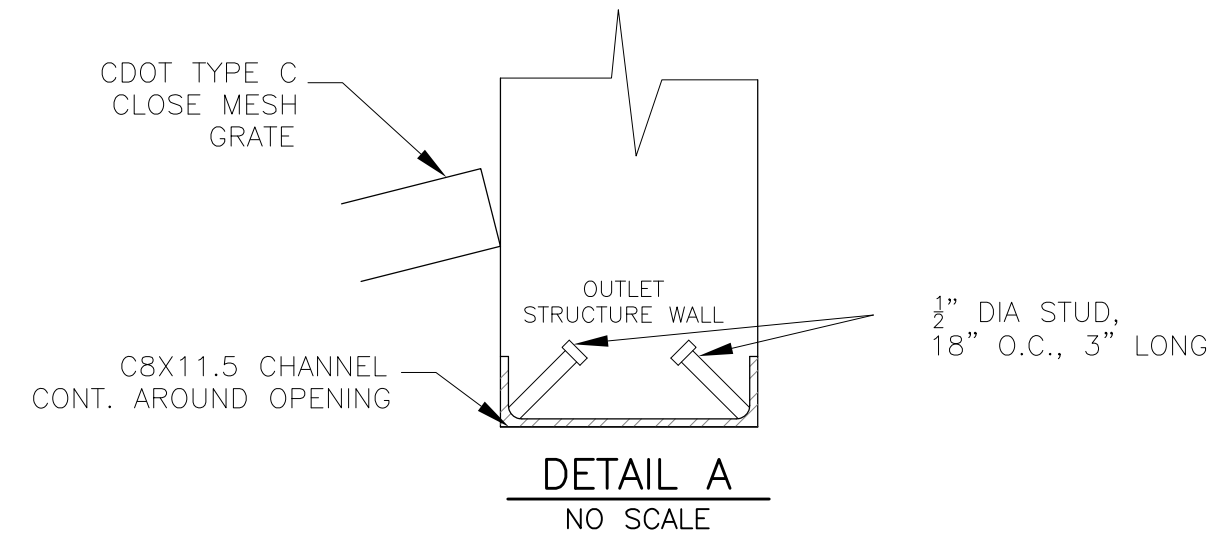
DATE: _____
DESCRIPTION: _____
NO: _____

PREPARED FOR:
LORSON, LLC
212 N. WAHSATCH AVE, SUITE 301
COLORADO SPRINGS, COLORADO 80903
(719) 635-3200
CONTACT: JEFF MARK

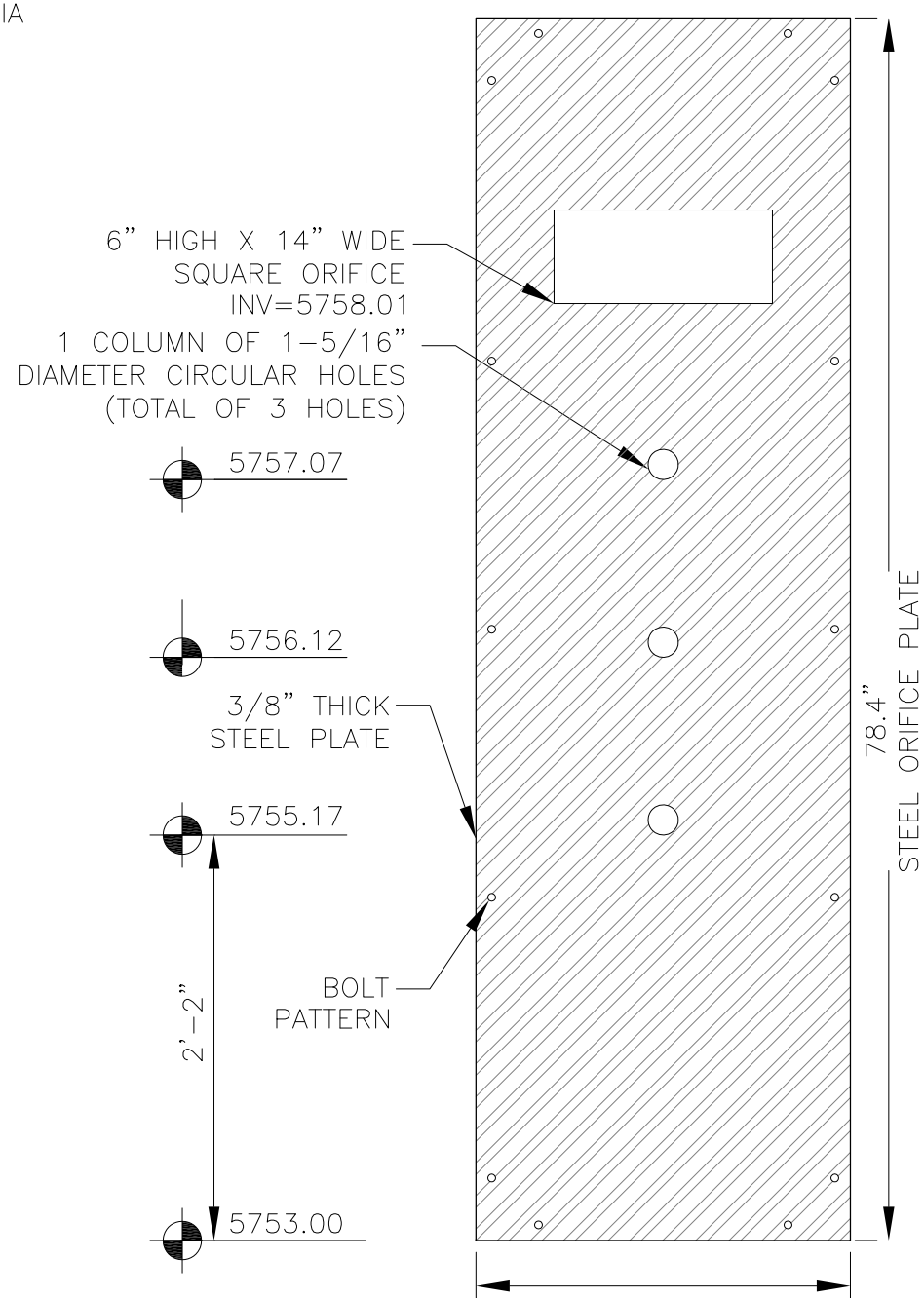
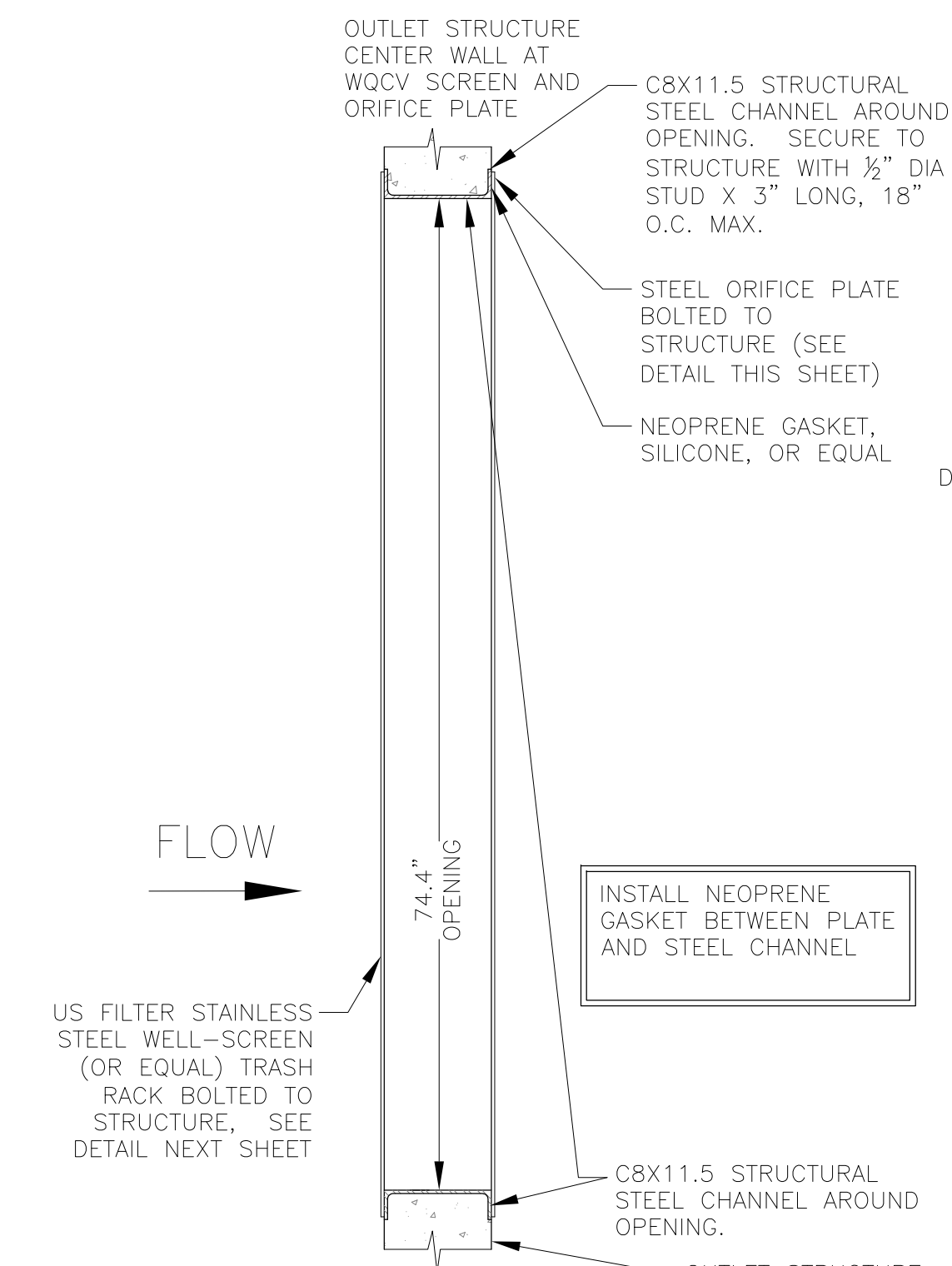
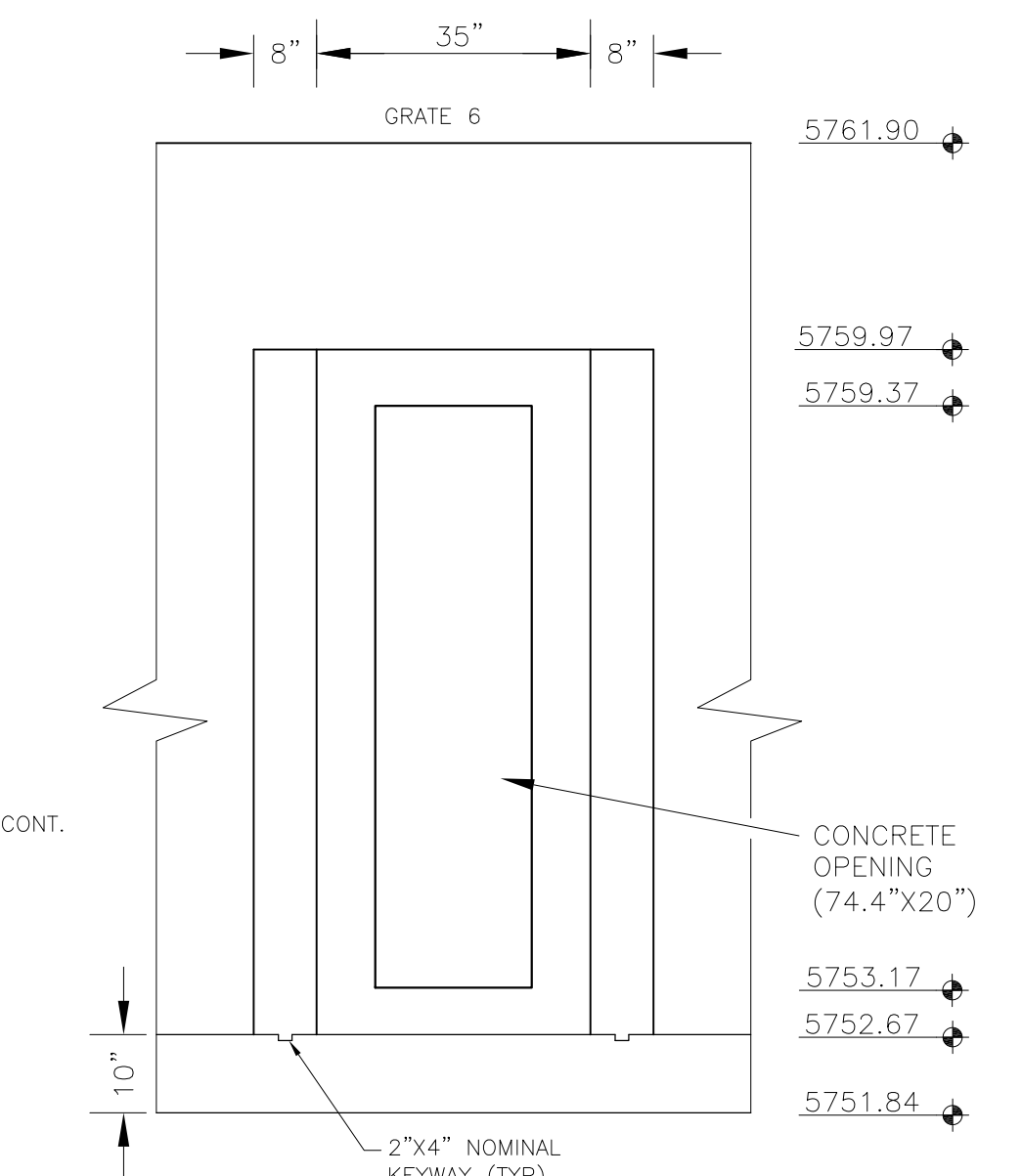
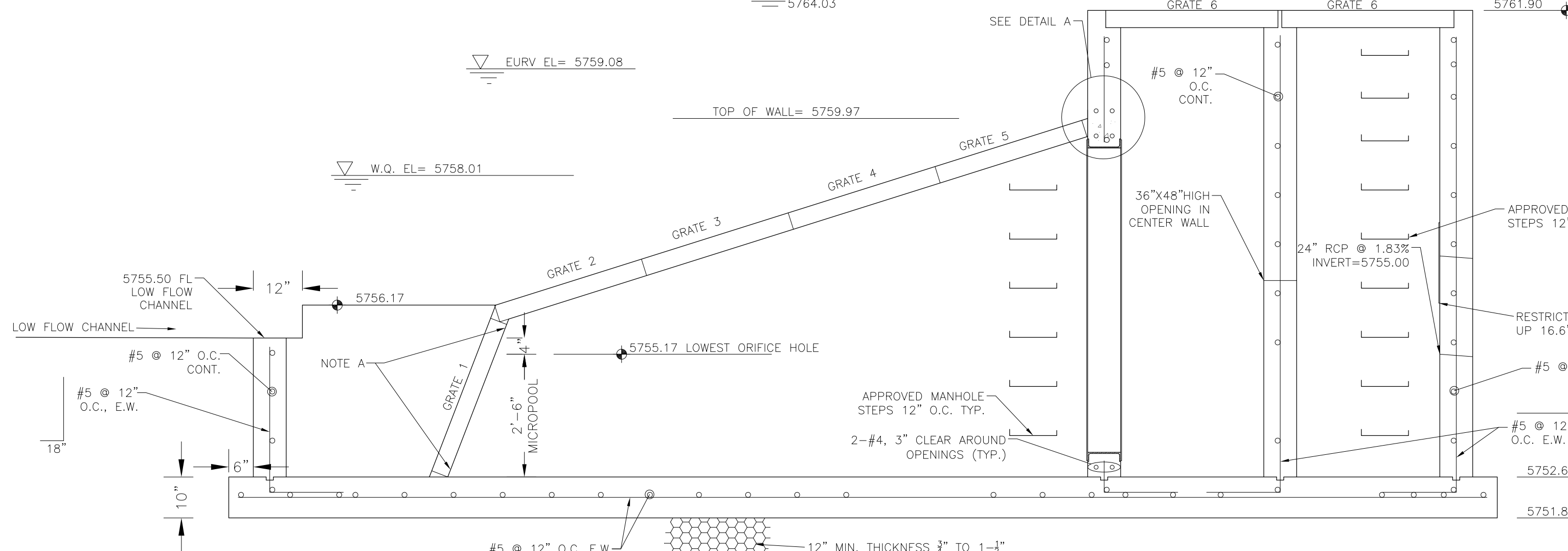
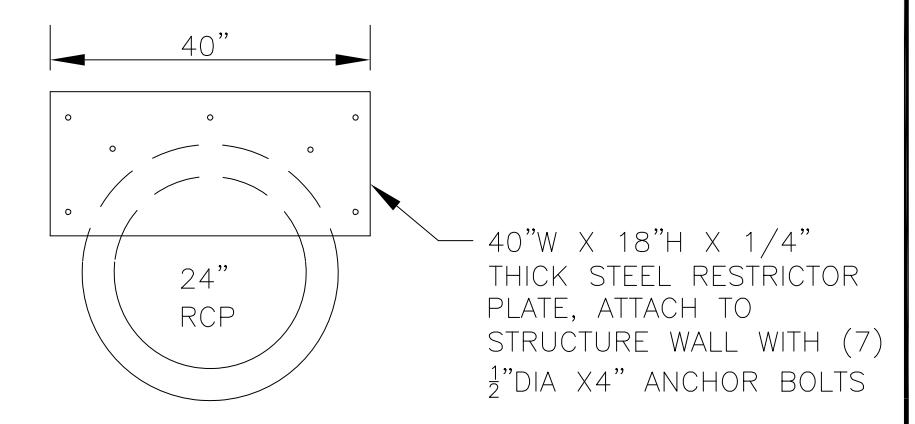
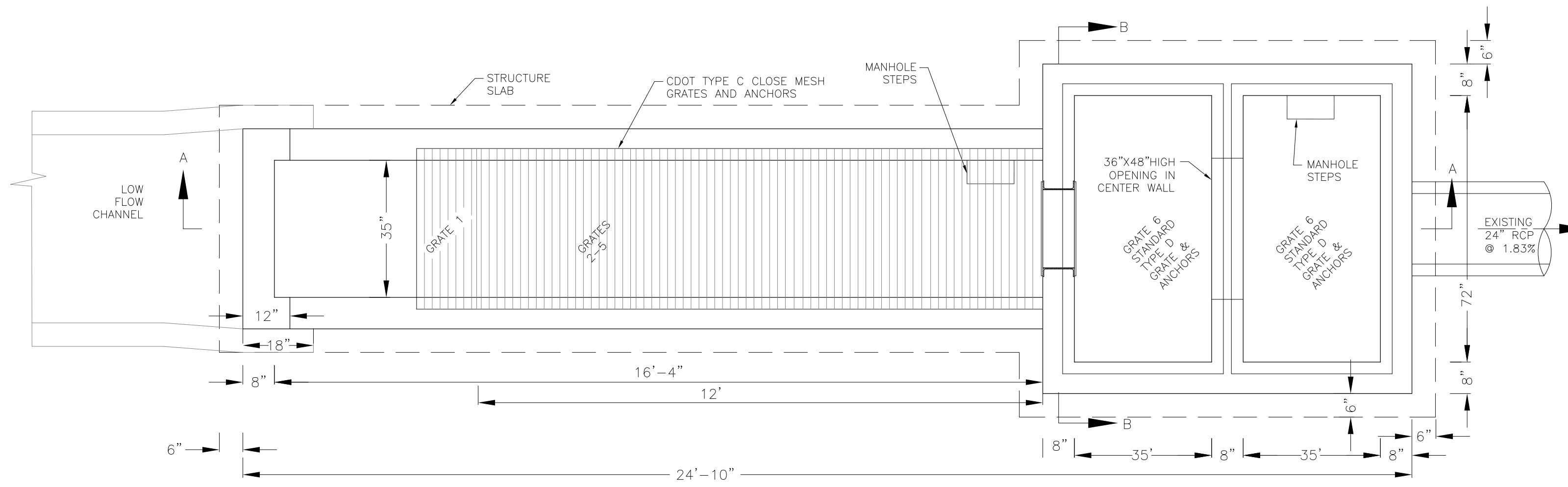
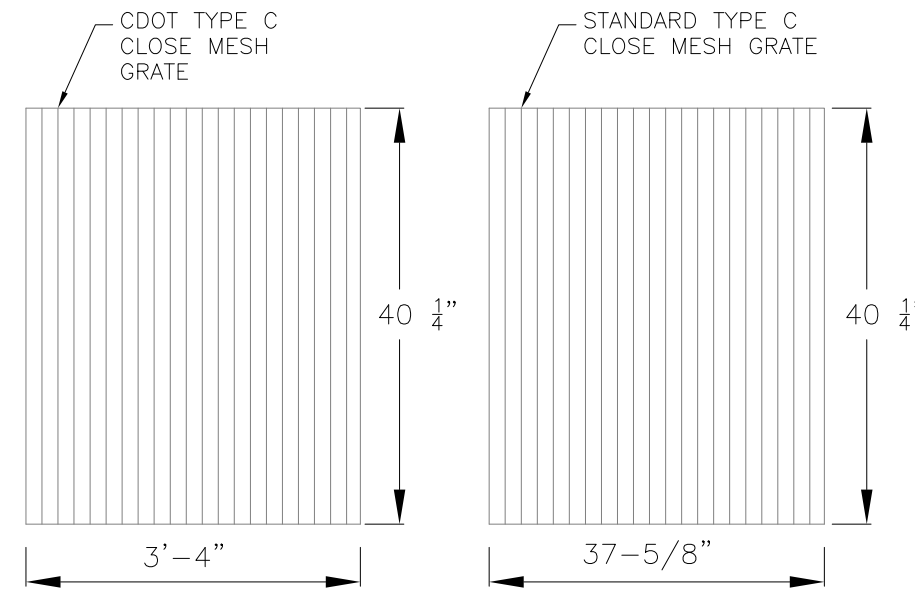
DRAWN: RLS
DESIGNED: RLS
CHECKED: RLS

POND C2.3
FULL SPECTRUM
OUTLET STRUCTURE DETAILS

DATE:
AUGUST 2, 2020
PROJECT NO.
100.061
SHEET NUMBER
C9.14
TOTAL SHEETS: 58



NOTE:
AFTER CONCRETE STRUCTURE HAS BEEN POURED
ALL GRATE DIMENSIONS SHALL BE FIELD VERIFIED
PRIOR TO GRATE CONSTRUCTION

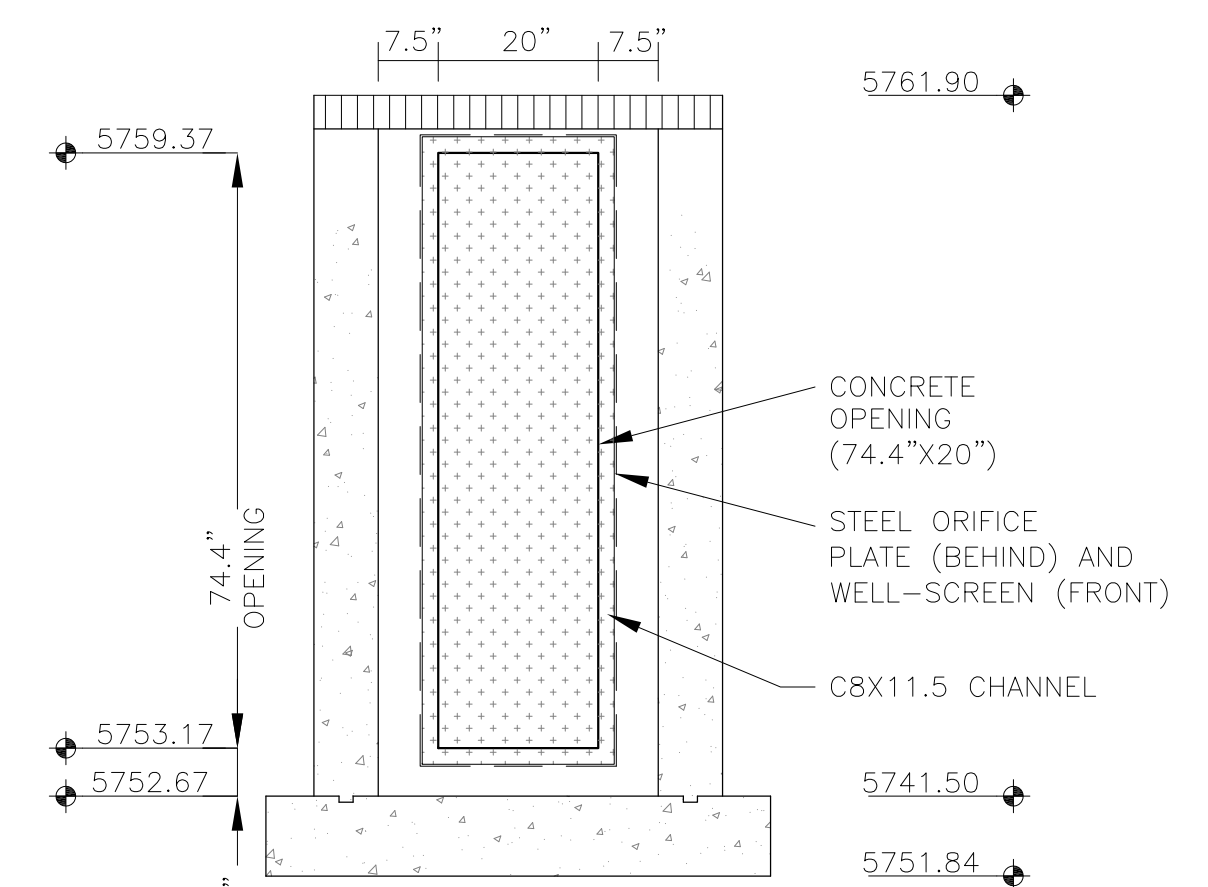


OUTLET STRUCTURE, FOREBAY, AND DRAIN CHANNEL NOTES:

- PRIOR TO CONSTRUCTION, CONTRACTOR SHALL PROVIDE SHOP DRAWINGS FOR ALL COMPONENTS OF THE OUTLET STRUCTURE.
 - GRADE 60 REINFORCING STEEL REQUIRED. SEE TABLE FOR THE MINIMUM LAP SPLICE LENGTH FOR REINFORCING BARS. ALL REINFORCING STEEL SHALL HAVE A TWO-INCH MINIMUM CLEARANCE FROM EDGE OF CONCRETE, UNLESS OTHERWISE NOTED.
- | BAR SIZE | #4 | #5 | #6 |
|--------------------|-------|-------|-------|
| MIN. SPLICE LENGTH | 1'-3" | 1'-7" | 2'-0" |
- CONCRETE FOR THE OUTLET STRUCTURE AND FOREBAY SHALL BE CDOT CLASS D CONCRETE.
 - CONCRETE FOR DRAIN CHANNELS SHALL BE CDOT CLASS B CONCRETE.
 - EXPANSION JOINT MATERIAL SHALL MEET AASHTO SPECIFICATION M-213. EXPANSION JOINT MATERIAL SHALL BE 1/2" THICK, SHALL EXTEND THE FULL DEPTH OF CONTACT SURFACE AND THE JOINT SHALL BE SEALED, REFER TO DETAILS.
 - ALL EXPOSED CONCRETE CORNERS SHALL HAVE A 3/8" CHAMFER UNLESS OTHERWISE NOTED.
 - SUBGRADE TO BE 12" THICK CLEAN FILL COMPACTED TO 95% STANDARD PROCTOR DENSITY PER ASTM M698 UNDER STRUCTURE.
 - REFER TO POND DETAILS FOR PRESEDIMENTATION/FOREBAY DESIGN.
 - ENGINEER SHALL BE NOTIFIED PRIOR TO BEGINNING CONSTRUCTION OF OUTLET STRUCTURE TO SCHEDULE OBSERVATION VISITS FOR STRUCTURES.

WQCV WELL-SCREEN NOTES:

- Well-Screen shall be stainless steel and attached by stainless steel bolts along edge of the mounting frame.
- WQCV Well Screen
 - Type of Screen: Stainless steel #93 Vee Wire (Johnson Vee Wire (tm) Stainless Steel Screen or equivalent with 60% open area)
 - Screen slot opening dimension: 0.139" (Screen #93 Vee Wire Slot Opening)
 - Type and Size of Support Rod: TE 0.074"x0.50"
 - Spacing of Support Rod (O.C.): 1.0 Inch
 - Total Screen Thickness: 0.655"
 - Carbon Steel Holding Frame Type: 3/4" x 1.0" angle



CORE ENGINEERING GROUP
15004 1ST AVENUE S.
PH: 719.570.5506
PH: 719.570.1100
CONTACT: RICHARD L. SCHINDLER, P.E.
EMAIL: Rich@cengr.com

DATE: _____
DESCRIPTION: _____
NO: _____
PREPARED FOR: **LORSON, LLC**
212 N. WAHSATCH AVE, SUITE 301
COLORADO SPRINGS, COLORADO 80903
CONTACT: JEFF MARK

PROJECT: **THE HILLS COLLECTOR STREET CONSTRUCTION**
FONTAINE BLVD. - GRAYLING DR
LORSON BLVD - WALLEYE DR - LAMPREY DR
COLORADO SPRINGS, COLORADO

DRAWN: RLS
DESIGNED: RLS
CHECKED: RLS

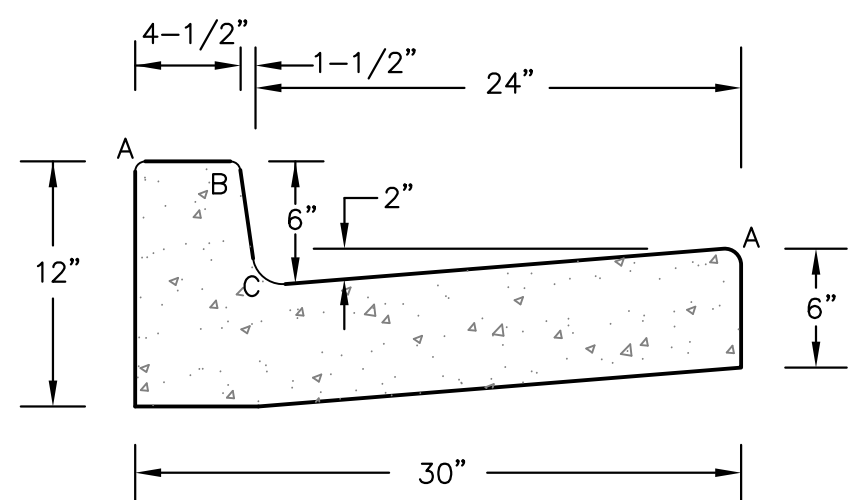
**POND C3
FULL SPECTRUM
OUTLET STRUCTURE DETAILS**

DATE:
AUGUST 2, 2020

PROJECT NO.
100.061

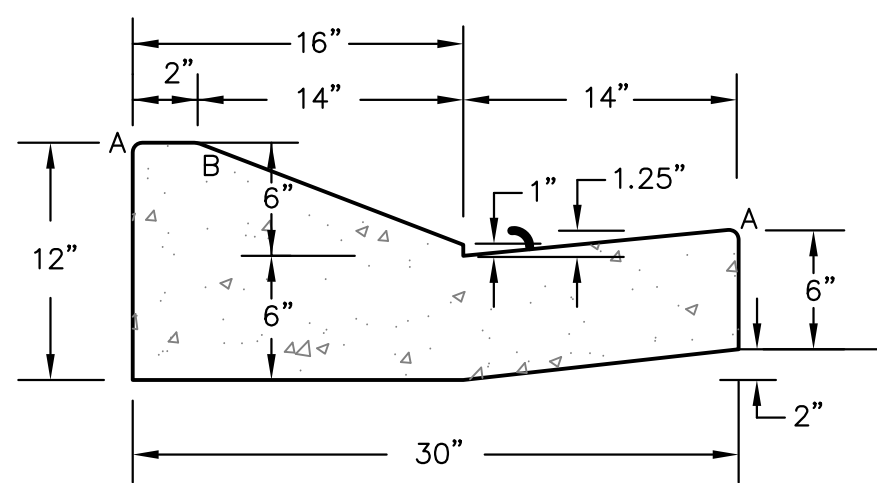
SHEET NUMBER
C9.15

TOTAL SHEETS: 58



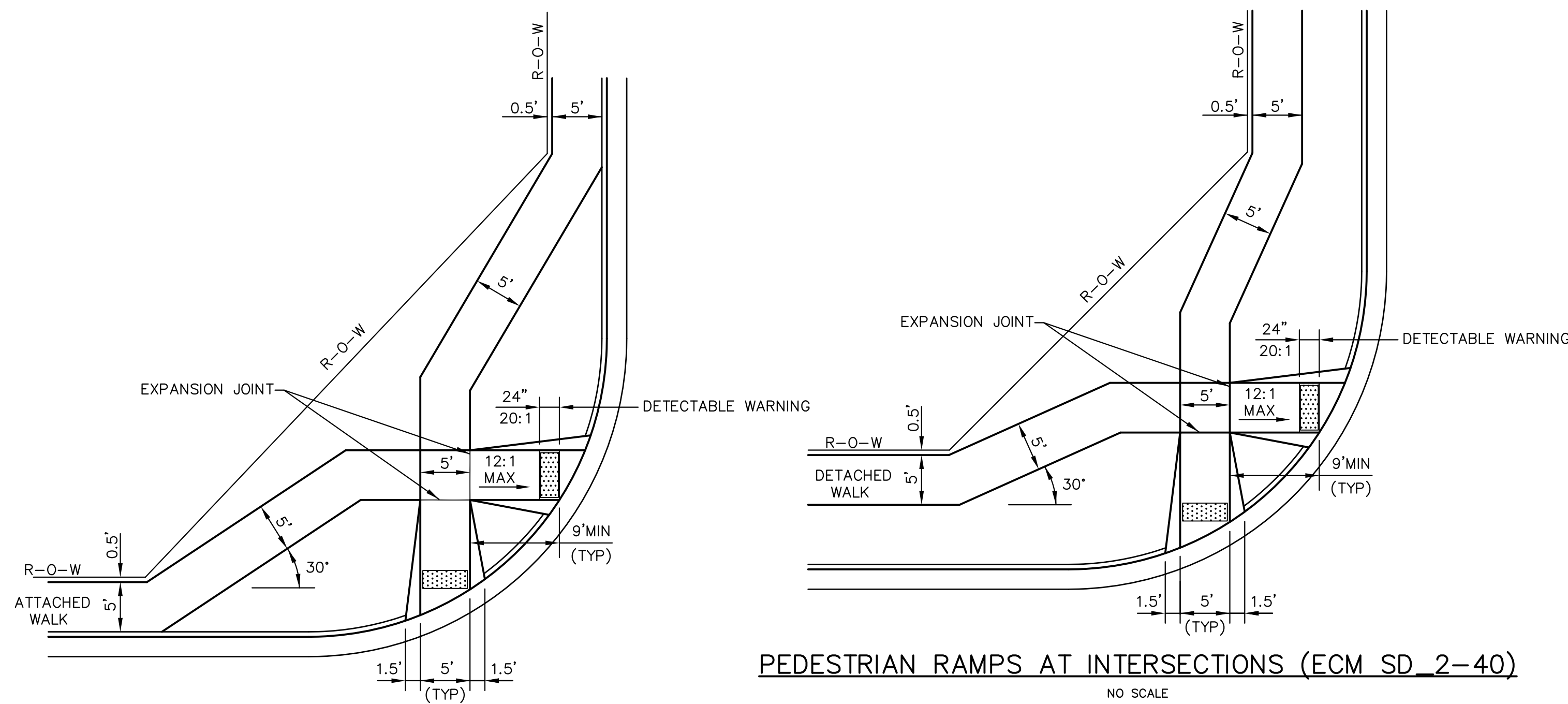
LENGTH FOR RADII
 A = 1/8" TO 1/4"
 B = 1-1/2"
 C = 1-1/2" TO 2"

TYPE 'A'
 VERTICAL CURB AND GUTTER
 SCALE 1" = 1'-0"

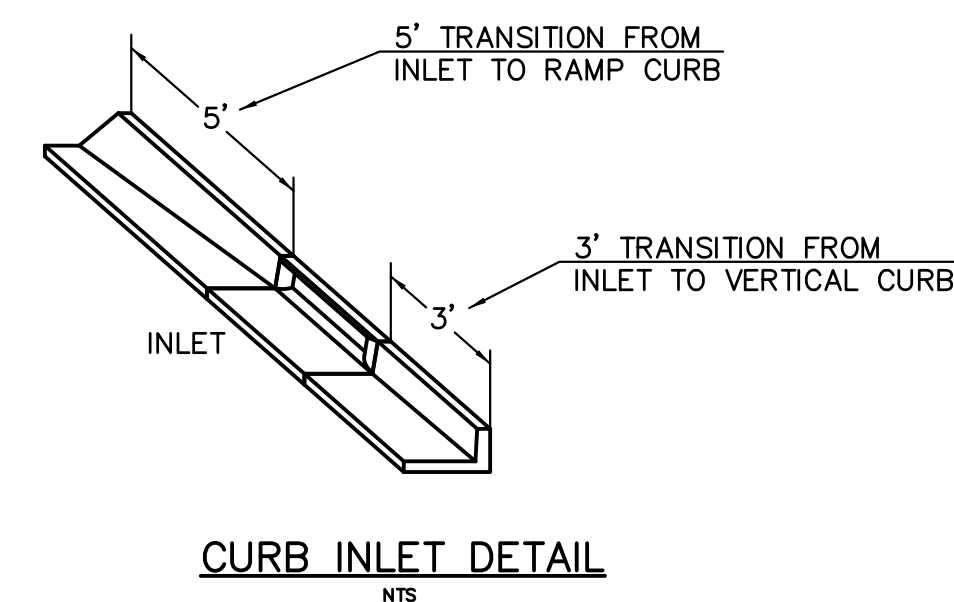


TYPE 'C'
 OPTIONAL TYPE C RAMP CURB AND GUTTER
 SCALE 1" = 1'

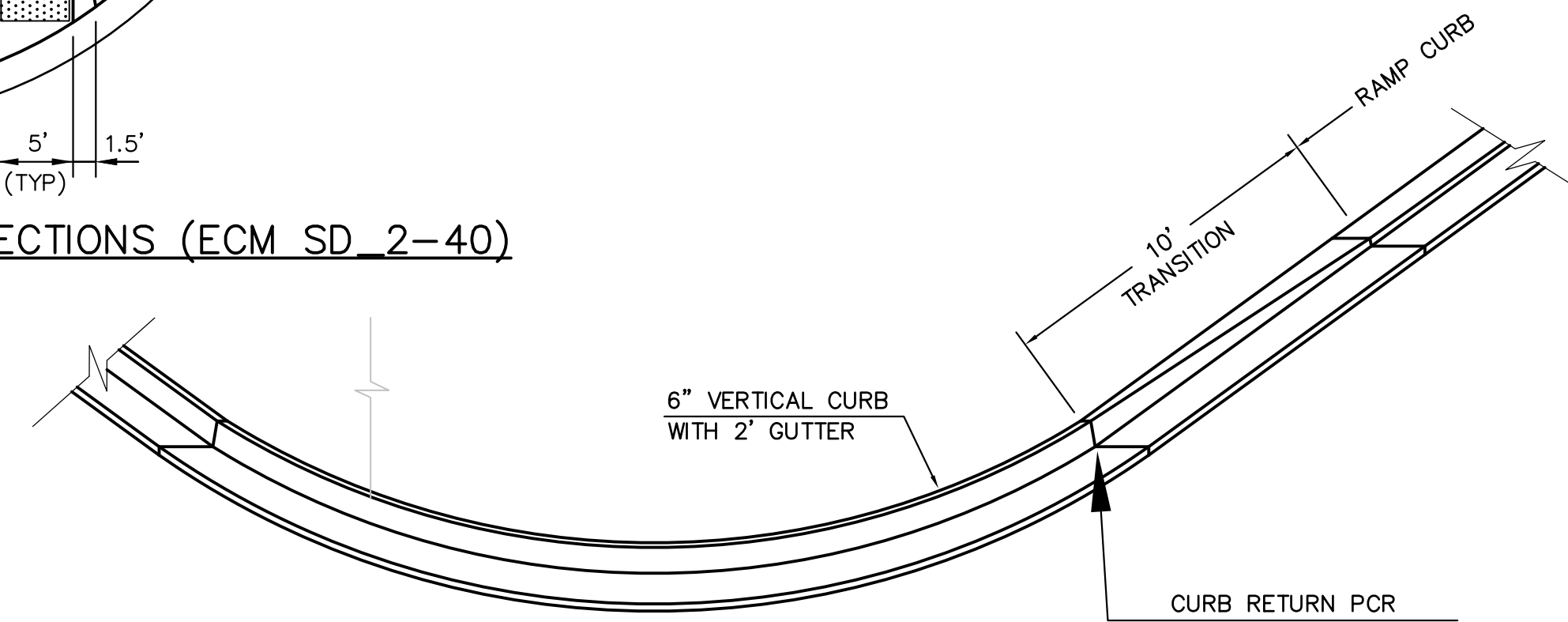
CURB DETAILS (ECM SD 2-20)



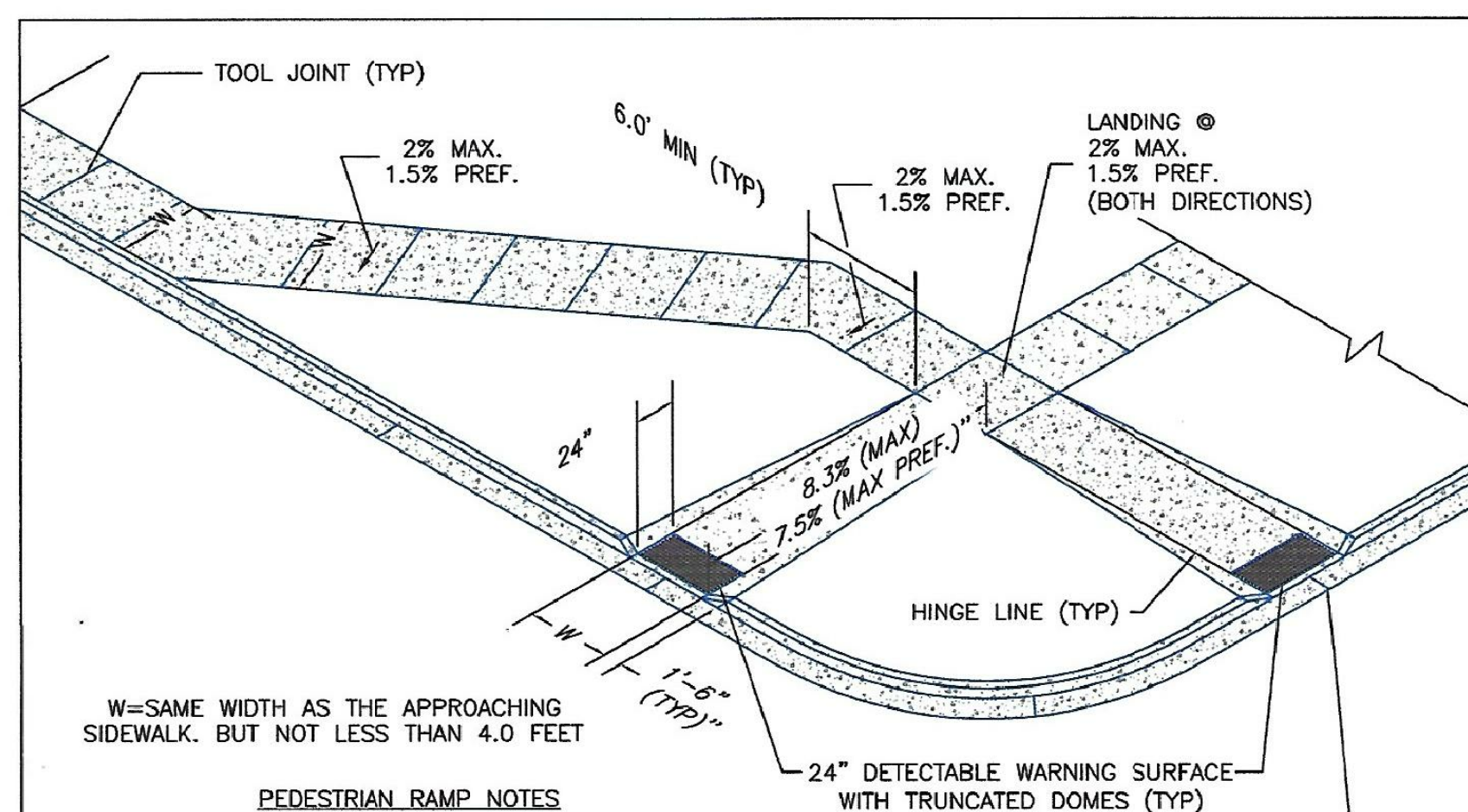
PEDESTRIAN RAMPS AT INTERSECTIONS (ECM SD 2-40)
 NO SCALE



CURB INLET DETAIL
 NTS



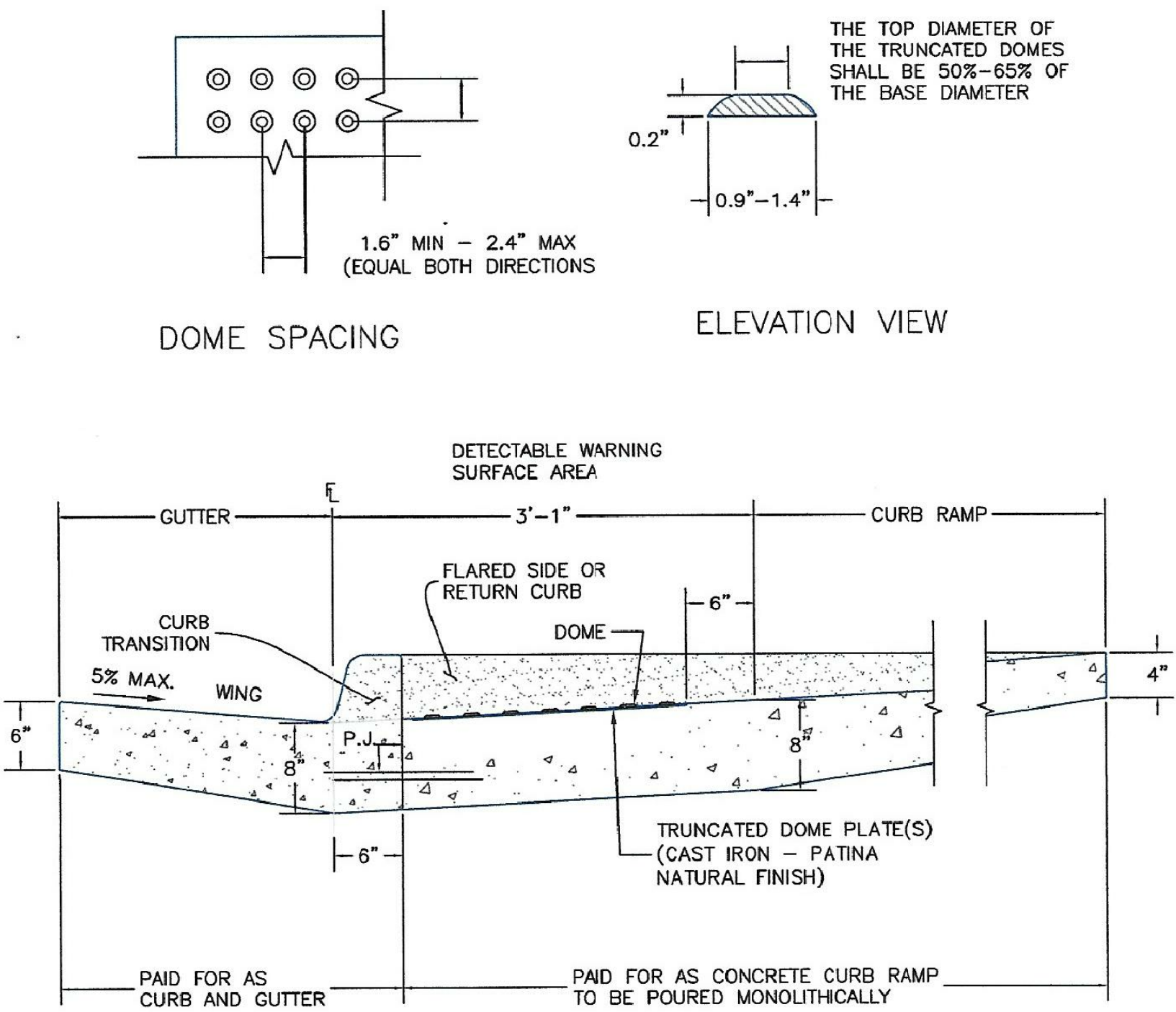
CURB TRANSITION DETAIL
 NTS



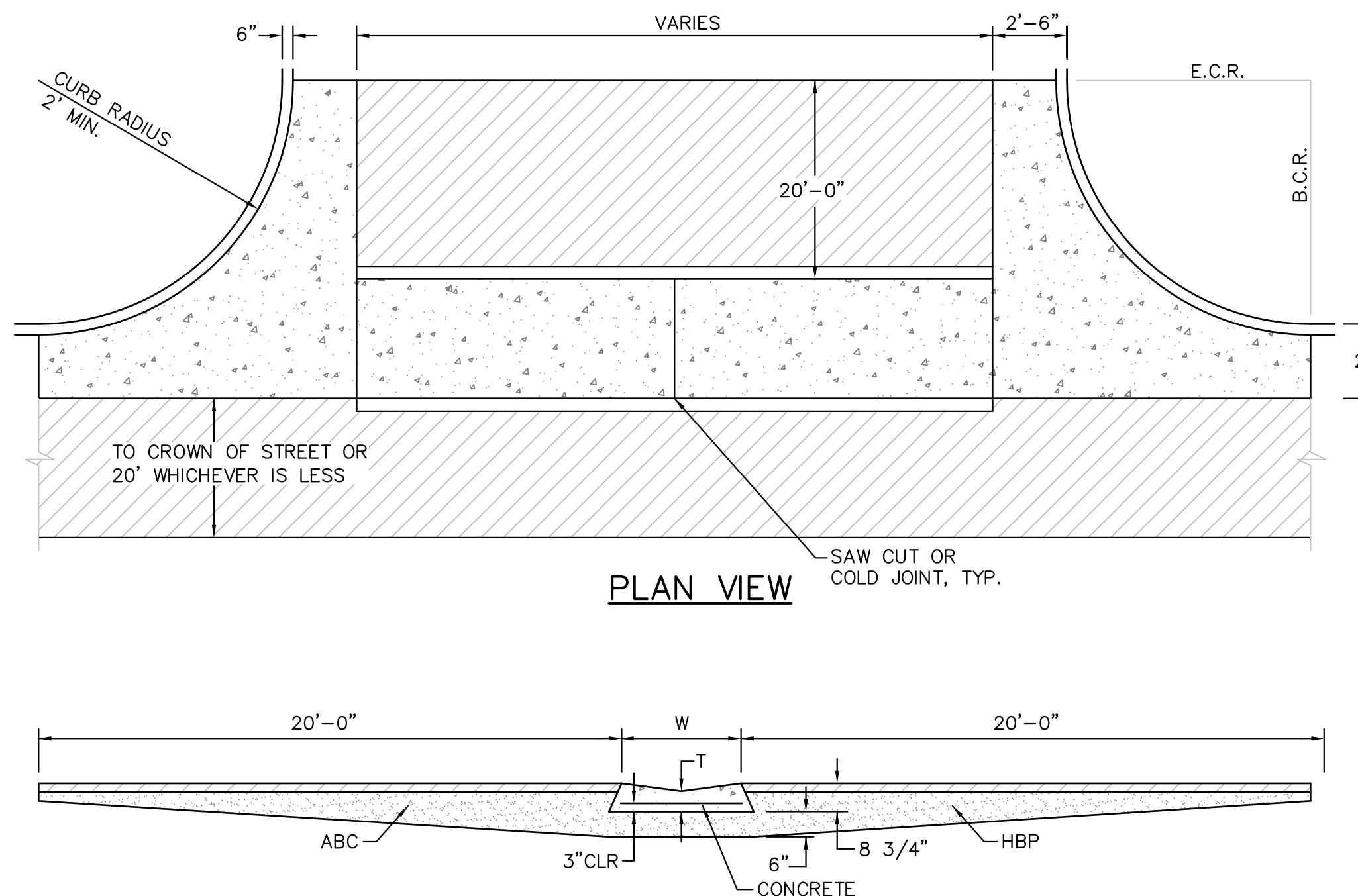
- PEDESTRIAN RAMP NOTES**
- ALL WORK SHALL BE DONE IN ACCORDANCE WITH THE CURRENT ENGINEERING CRITERIA MANUAL AND ADA REQUIREMENTS.
 - CONTRACTOR TO NOTIFY ENGINEERING DIVISION INSPECTION STAFF 48 HOURS PRIOR TO CONCRETE PLACEMENT.
 - PEDESTRIAN CURB RAMP CONSTRUCTION SHALL BE A MINIMUM 4,500 PSI CONCRETE, MINIMUM 4" THICK, NON-COLORED, NON-SCORED, COARSE BROOM FINISH.
 - PEDESTRIAN CURB RAMP LOCATION AND LENGTH MAY REQUIRE MODIFICATION TO MAINTAIN THE 8.3% MAXIMUM RUNNING RAMP SLOPE DUE TO STREET INTERSECTION GRADES AND/OR ALIGNMENTS. SEE ECM SECTION 6.3.6 FOR PEDESTRIAN PUSHBUTTON LOCATION REQUIREMENTS.
 - DETECTABLE WARNING SURFACE SHALL START A MINIMUM OF 6" BUT NOT MORE THAN 8" FROM THE FLOWLINE OF THE CURB AT ANY POINT.
 - DETECTABLE WARNING SURFACE SHALL BE PREFABRICATED, CAST IRON (PATINA NATURAL FINISH) AND IN ACCORDANCE WITH ECM CHAPTER 6 AND SD 2-42. THERMOPLASTIC TRUNCATED DOMES AND PAVERS WILL NOT BE ACCEPTED.
 - THE DETECTABLE WARNING SURFACE SHALL BE 24" IN LENGTH AND THE FULL WIDTH OF THE RAMP.
 - PEDESTRIAN CURB RAMP WIDTH REQUIRED IS SAME AS APPROACHING SIDEWALK; 4' MINIMUM.
 - ALL PEDESTRIAN CURB RAMPS WILL BE PERPENDICULAR TO TRAFFIC WITH THE EXCEPTION OF MID-BLOCK OR TERMINAL RAMPS WHICH MAY BE PARALLEL SUBJECT TO APPROVAL.
 - DRAINAGE STRUCTURES, TRAFFIC SIGNAL/SIGNAGE, UTILITIES/JUNCTION BOXES, OR OTHER OBSTRUCTIONS WITHIN PROPOSED PEDESTRIAN CURB RAMP AREAS AND LANDINGS ARE PROHIBITED.
 - THE COUNTER SLOPE OF THE GUTTER OR ROAD AT THE FOOT OF A RAMP SHALL NOT EXCEED 5%.

- GENERAL NOTES**
- WHERE THE 1'-6" FLARED SIDE(S) OF A PERPENDICULAR CURB RAMP IS (ARE) CONTIGUOUS WITH A PEDESTRIAN OR HAND SURFACE AREA (PEDESTRIAN CIRCULATION PATH), THE MAXIMUM FLARE SLOPE SHALL NOT EXCEED 10:1.
 - PEDESTRIAN WALKWAY (PEDESTRIAN ACCESS ROUTE) AND/OR LOCATION OF EXISTING OR FUTURE PEDESTRIAN RAMPS ON OPPOSITE CORNERS SHALL BE REVIEWED BEFORE CONSTRUCTING NEW RAMPS.
 - AT MARKED PEDESTRIAN CROSSINGS, THE BOTTOM OF THE RAMPS, EXCLUSIVE OF THE FLARE SIDES, SHALL BE TOTALLY CONTAINED WITHIN THE MARKINGS.

TRUNCATED DOME DETAILS



P.J. = PERMISSIBLE JOINT WITH EPOXY-COATED DEFORMED NO. 4 BARS CONFORMING TO AASHTO M 284 AT 18 IN. SPACING
 SIDE CROSS SECTION VIEW OF
 DETECTABLE WARNING SURFACE, CURB AND GUTTER



TYPICAL CROSSSPAN LAYOUT (ECM SD 2-26)
 NO SCALE

- NOTES**
- W = WIDTH SHALL BE 6' FOR LOCAL, 8' FOR COLLECTORS, 10' FOR ARTERIAL ROADS.
 - T = SQUARED-OFF RETURN TO BE POURED MONOLITHIC 8" PCC, OR 9" FOR COLLECTORS MINIMUM WITH 6x6 - 4.4 WWF OR #4 @ 18"E.W.
 - 3" = 3" MINIMUM ASPHALT DEPTH (2 LIFTS).
 - DESIGN TO SPECIFY ELEVATIONS AT PI AND PCR.

DATE APPROVED: 6/23/20
 Jennifer E. Irvine
 DEPARTMENT OF PUBLIC WORKS

Project: Pedestrian Curb Ramp Detail
 Standard Drawing

REVISION DATE: 6/23/20
 FILE NAME: SD_2-41

DATE APPROVED: 6/23/20
 Jennifer E. Irvine
 DEPARTMENT OF PUBLIC WORKS

Project: Detectable Warning Surface Details
 Standard Drawing

REVISION DATE: 6/23/20
 FILE NAME: SD_2-42

CORE ENGINEERING GROUP
 15004 1ST AVENUE S.
 BURNSVILLE, MN 55306
 PH: 719.570.1100
 CONTACT: RICHARD L. SCHINDLER, P.E.
 EMAIL: rich@cegi.com

DATE: _____

DESCRIPTION: _____

NO. _____

PROJECT: THE HILLS COLLECTOR STREET CONSTRUCTION
 212 N. WAHSATCH AVE., SUITE 301
 COLORADO SPRINGS, COLORADO 80903
 LORSON BLVD - WALLEYE DR - LAMPREY DR
 COLORADO SPRINGS, COLORADO
 CONTACT: JEFF MARK

PREPARED FOR: LORSON, LLC
 212 N. WAHSATCH AVE., SUITE 301
 COLORADO SPRINGS, COLORADO 80903
 CONTACT: RICHARD L. SCHINDLER, P.E.
 EMAIL: rich@cegi.com

DRAWN: RLS
 DESIGNED: RLS
 CHECKED: RLS

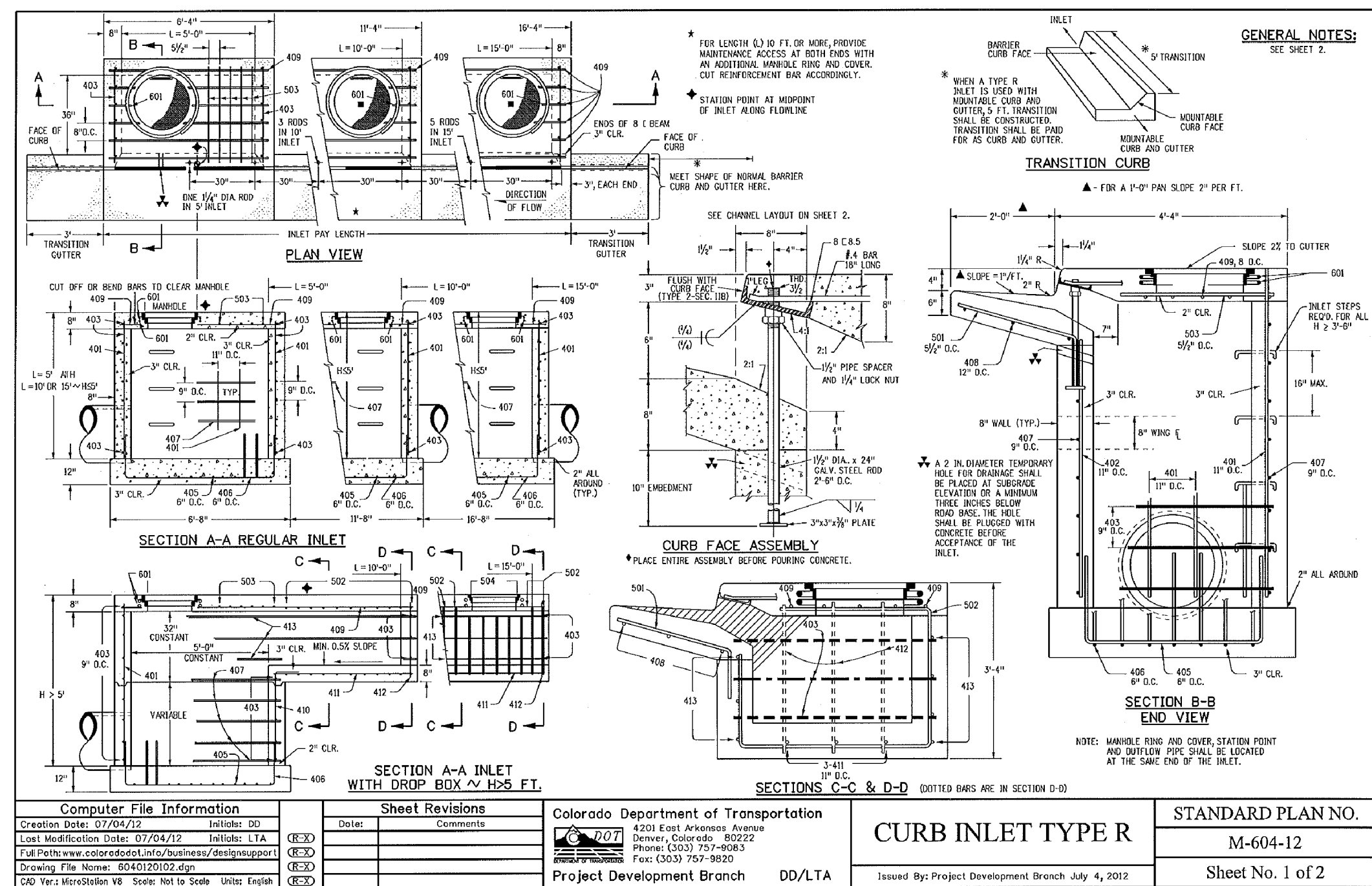
ROADWAY DETAIL SHEET

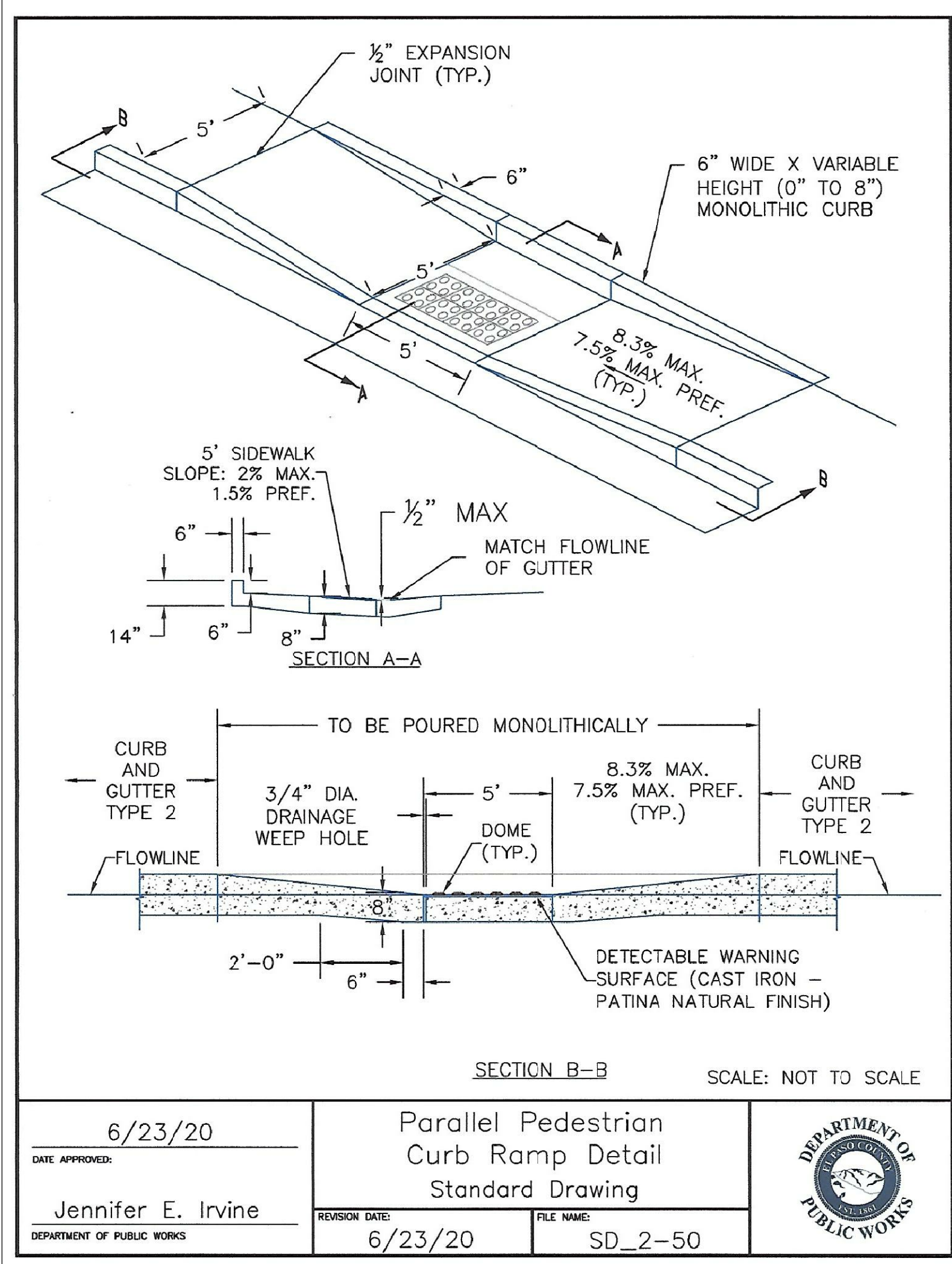
DATE: AUGUST 2, 2020

PROJECT NO. 100.061

SHEET NUMBER C10.1

TOTAL SHEETS: 58

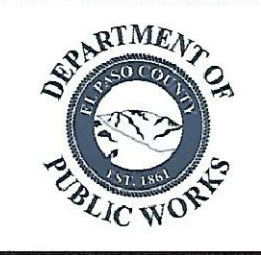
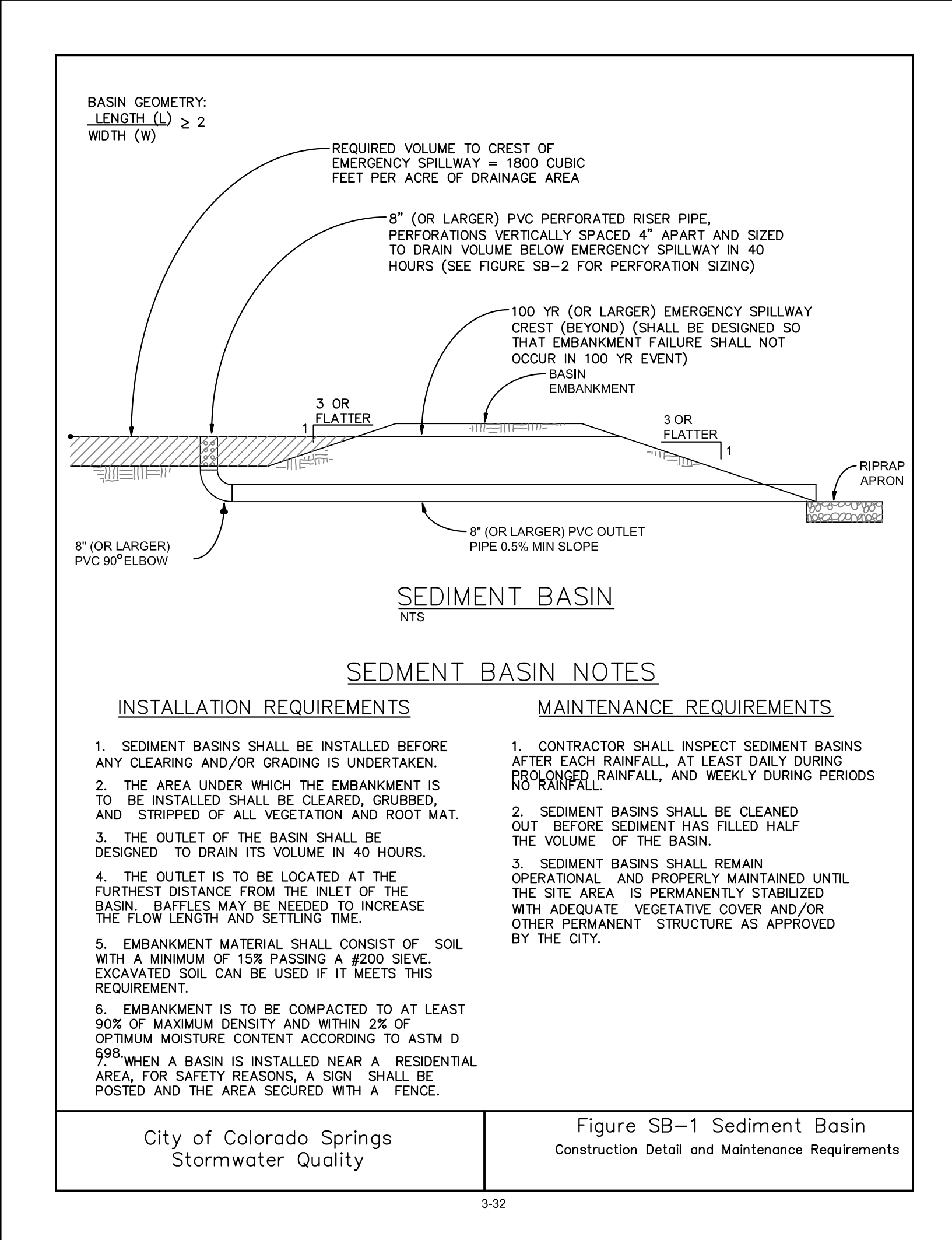




6/23/20
DATE APPROVED:
Jennifer E. Irvine
DEPARTMENT OF PUBLIC WORKS

Parallel Pedestrian
Curb Ramp Detail
Standard Drawing

REVISION DATE: 6/23/20
FILE NAME: SD_2-50

SEDIMENT BASIN NOTES

INSTALLATION REQUIREMENTS

1. SEDIMENT BASINS SHALL BE INSTALLED BEFORE ANY CLEARING AND/OR GRADING IS UNDERTAKEN.
2. THE AREA UNDER WHICH THE EMBANKMENT IS TO BE INSTALLED SHALL BE CLEARED, GRUBBED, AND STRIPPED OF ALL VEGETATION AND ROOT MAT.
3. THE OUTLET OF THE BASIN SHALL BE DESIGNED TO DRAIN ITS VOLUME IN 40 HOURS.
4. THE OUTLET IS TO BE LOCATED AT THE FURTHEST DISTANCE FROM THE INLET OF THE BASIN. BAFFLES MAY BE NEEDED TO INCREASE THE FLOW LENGTH AND SETTLING TIME.
5. EMBANKMENT MATERIAL SHALL CONSIST OF SOIL WITH A MINIMUM OF 15% PASSING A #200 SIEVE. EXCAVATED SOIL CAN BE USED IF IT MEETS THIS REQUIREMENT.
6. EMBANKMENT IS TO BE COMPACTED TO AT LEAST 90% OF MAXIMUM DENSITY AND WITHIN 2% OF OPTIMUM MOISTURE CONTENT ACCORDING TO ASTM D 998.
7. WHEN A BASIN IS INSTALLED NEAR A RESIDENTIAL AREA, FOR SAFETY REASONS, A SIGN SHALL BE POSTED AND THE AREA SECURED WITH A FENCE.

MAINTENANCE REQUIREMENTS

1. CONTRACTOR SHALL INSPECT SEDIMENT BASINS AFTER EACH RAINFALL, AT LEAST DAILY DURING PROLONGED RAINFALL, AND WEEKLY DURING PERIODS NO RAINFALL.
2. SEDIMENT BASINS SHALL BE CLEANED OUT BEFORE SEDIMENT HAS FILLED HALF THE VOLUME OF THE BASIN.
3. SEDIMENT BASINS SHALL REMAIN OPERATIONAL AND PROPERLY MAINTAINED UNTIL THE SITE AREA IS PERMANENTLY STABILIZED WITH ADEQUATE VEGETATIVE COVER AND/OR OTHER PERMANENT STRUCTURE AS APPROVED BY THE CITY.

City of Colorado Springs
Stormwater Quality

Figure SB-1 Sediment Basin
Construction Detail and Maintenance Requirements

3-32

CORE ENGINEERING GROUP
15004 1ST AVENUE S.
BURNSVILLE, MN 55306
PH: 719.570.1100
CONTACT: RICHARD L. SCHINDLER, P.E.
EMAIL: rich@cegi.com

DATE: _____

DESCRIPTION: _____

NO. _____

DRAWN: RLS
DESIGNED: RLS
CHECKED: RLS

DATE: AUGUST 2, 2020

PROJECT NO. 100.061

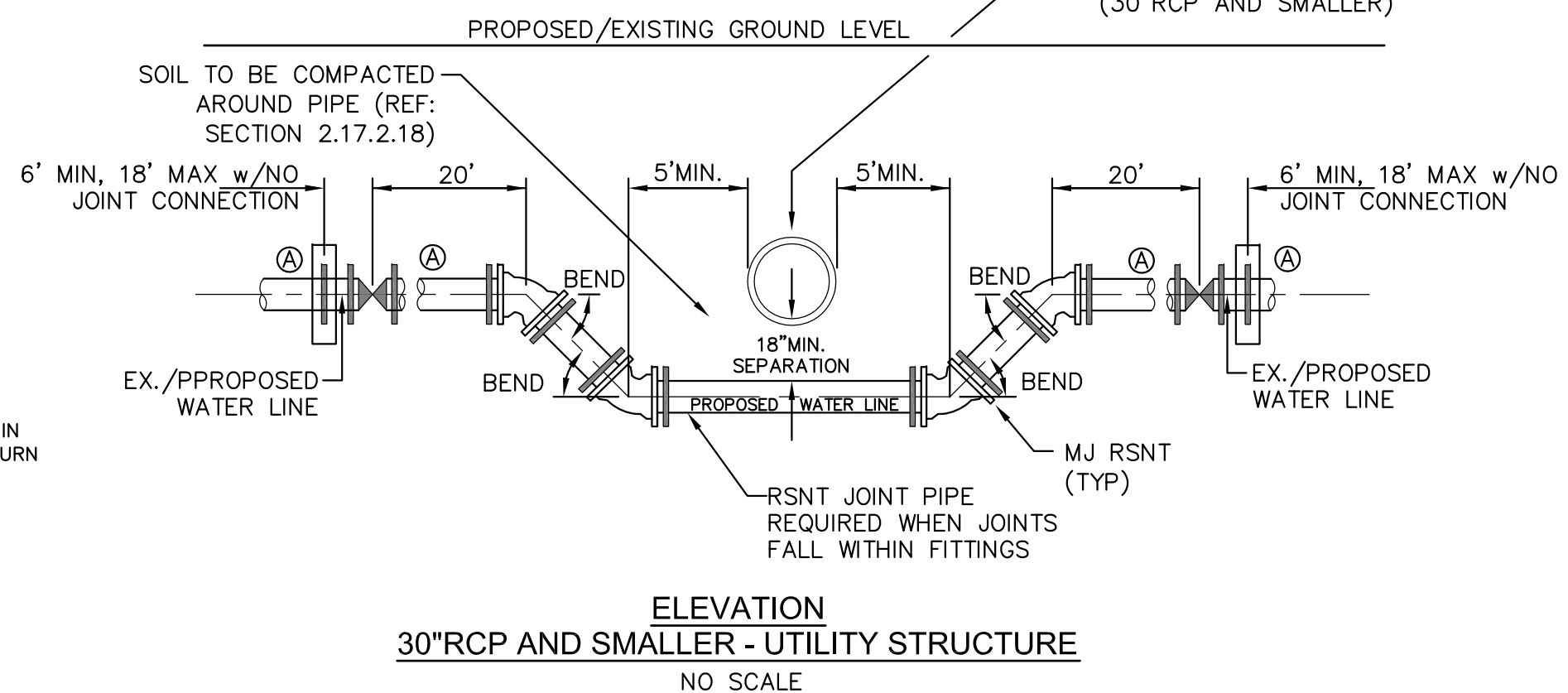
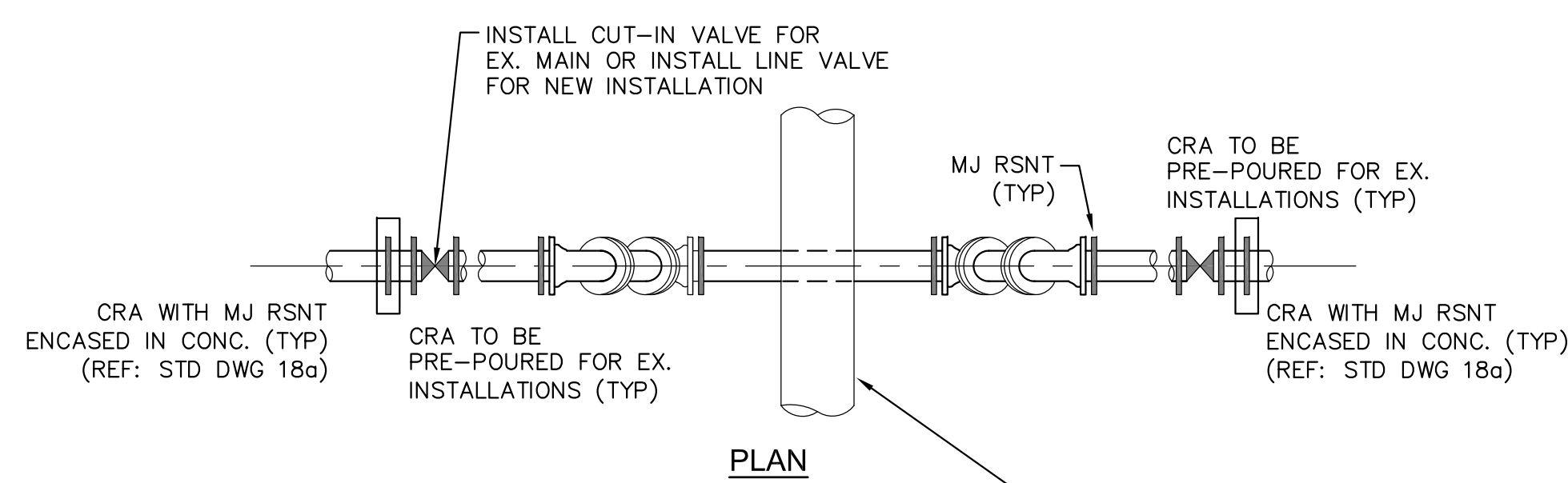
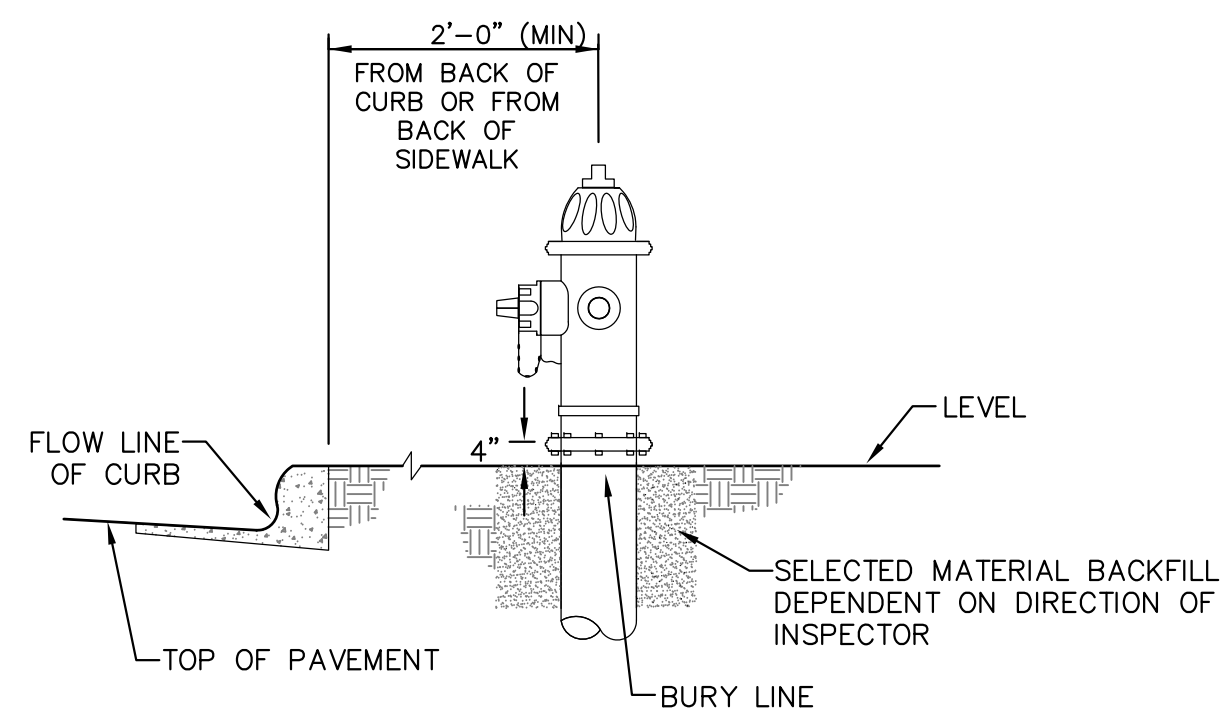
SHEET NUMBER C10.3

TOTAL SHEETS: 58

PREPARED FOR: **LORSON, LLC**
212 N. WAHSATCH AVE. SUITE 301
COLORADO SPRINGS, COLORADO 80903
CONTACT: JEFF MARK

PROJECT: **THE HILLS COLLECTOR STREET CONSTRUCTION**
FONTAINE BLVD - GRAYLING DR
LORSON BLVD - WALLEYE DR - LAMPREY DR
COLORADO SPRINGS, COLORADO

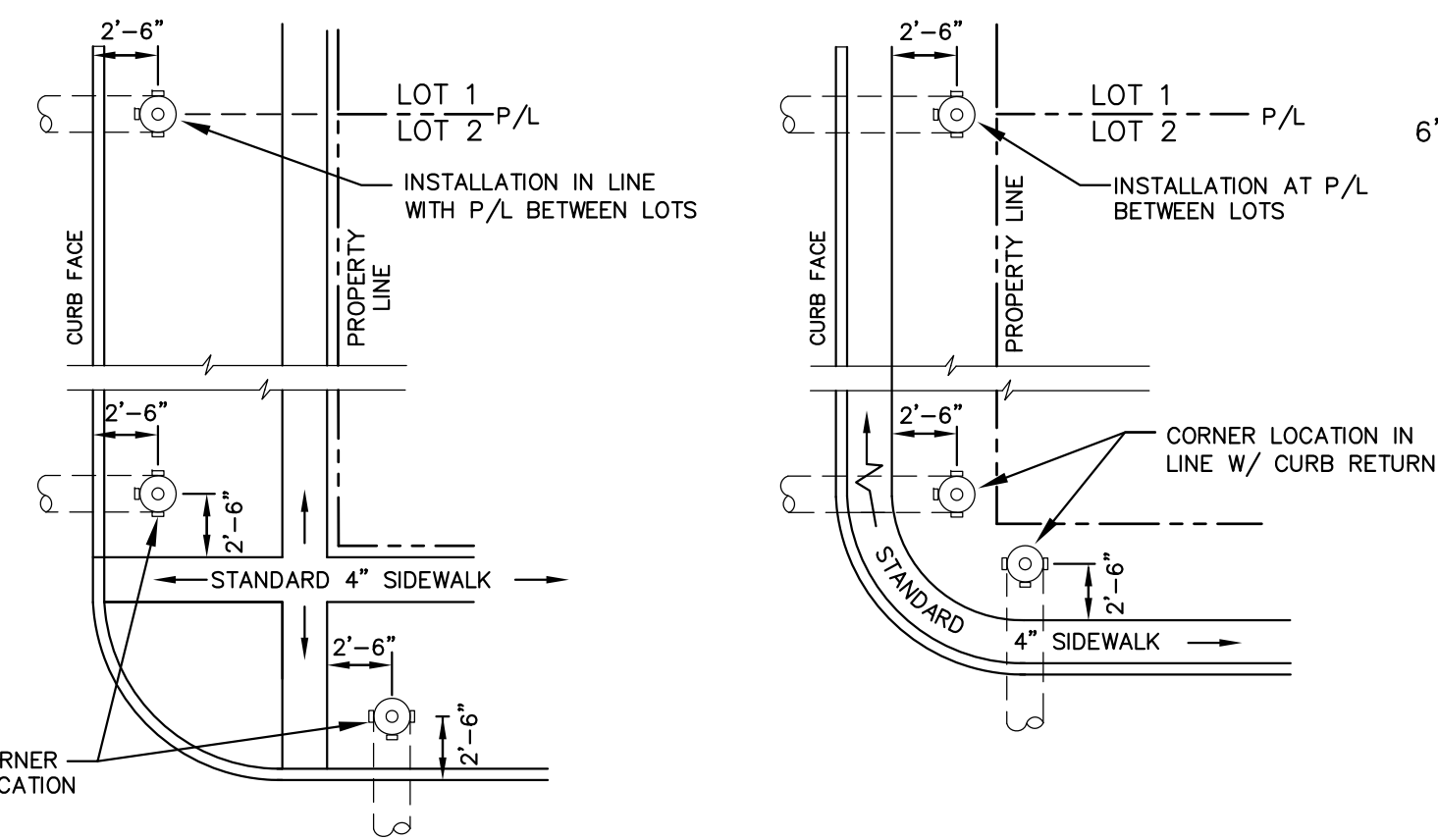
CREEKSIDE SOUTH AT LORSON RANCH FIL. NO. 1 ROADWAY DETAIL SHEET



GENERAL NOTES

1. D.I.P. PIPE REQUIRED IN LOWERINGS (AT THE DISCRETION OF THE WRD/INSPECTOR PVC PIPE MAYBE APPROVED).
2. (A) LOWERINGS TO BE CATHODIC PROTECTED UNDER THE DIRECTION OF THE WRD INSPECTOR. (17 lb).
3. ALL FITTINGS SHALL HAVE MJ RSNTS. SEE DRAWINGS NO. 27, 28 & SECTION 5.14 OF THE WRD SPECIFICATIONS.
4. EXAMPLE CAN VARY DUE TO SITE CONDITIONS AND INSPECTOR'S DIRECTION'S.

LOWERING DETAIL WITH MJ RSNT FITTINGS AND RSNT JOINT PIPE (w/APPROVAL OF W.R.D.) (PER CSU STANDARD # 20a) NO SCALE



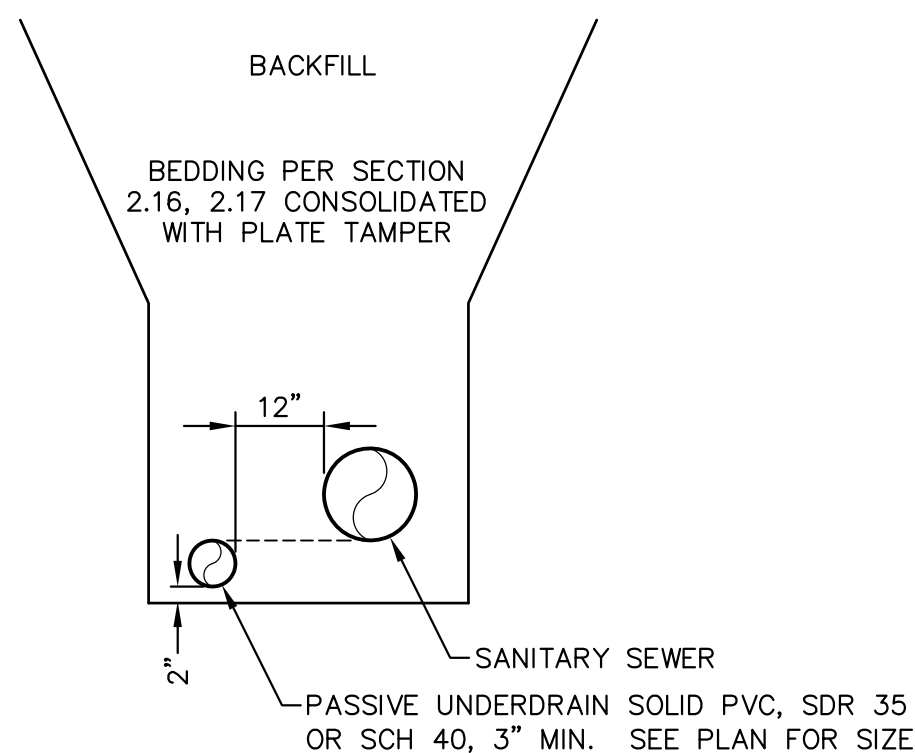
DETACHED SIDEWALK LOCATION NO SCALE

NOTE
ALL HYDRANTS SHALL BE GUARDIAN K-81D OR AVK SERIES 2700.

NOTES

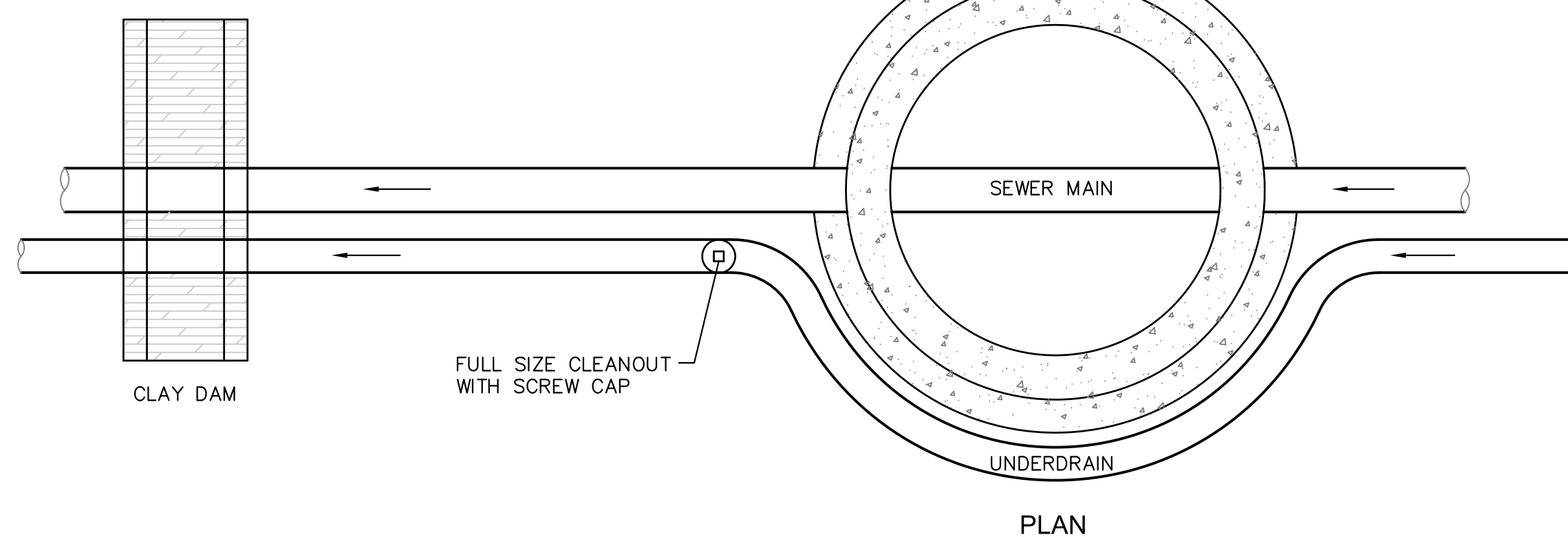
1. HYDRANT NOZZLE SHALL BE POSITIONED AT RIGHT ANGLES TO CURB. IF NO CURB OR SIDEWALK EXIST, NOZZLE SHALL BE PLACED AT RIGHT ANGLE TO STREET OR ALLEY.
2. HYDRANTS WILL BE PLACED A MINIMUM OF 5.0 FEET FROM ANY UTILITY OR DRAINAGE STRUCTURE (TO BE CO-ORDINATED WITH JOINT TRENCH INSTALLATION)
3. ANY HYDRANT BEING INSTALLED WITH CONDITIONS OTHER THAN THOSE MENTIONED AND/OR DETAILED BELOW WILL REQUIRE SIGNED APPROVAL FROM SECURITY FIRE PROTECTION DISTRICT.

FIRE HYDRANT LOCATIONS NO SCALE

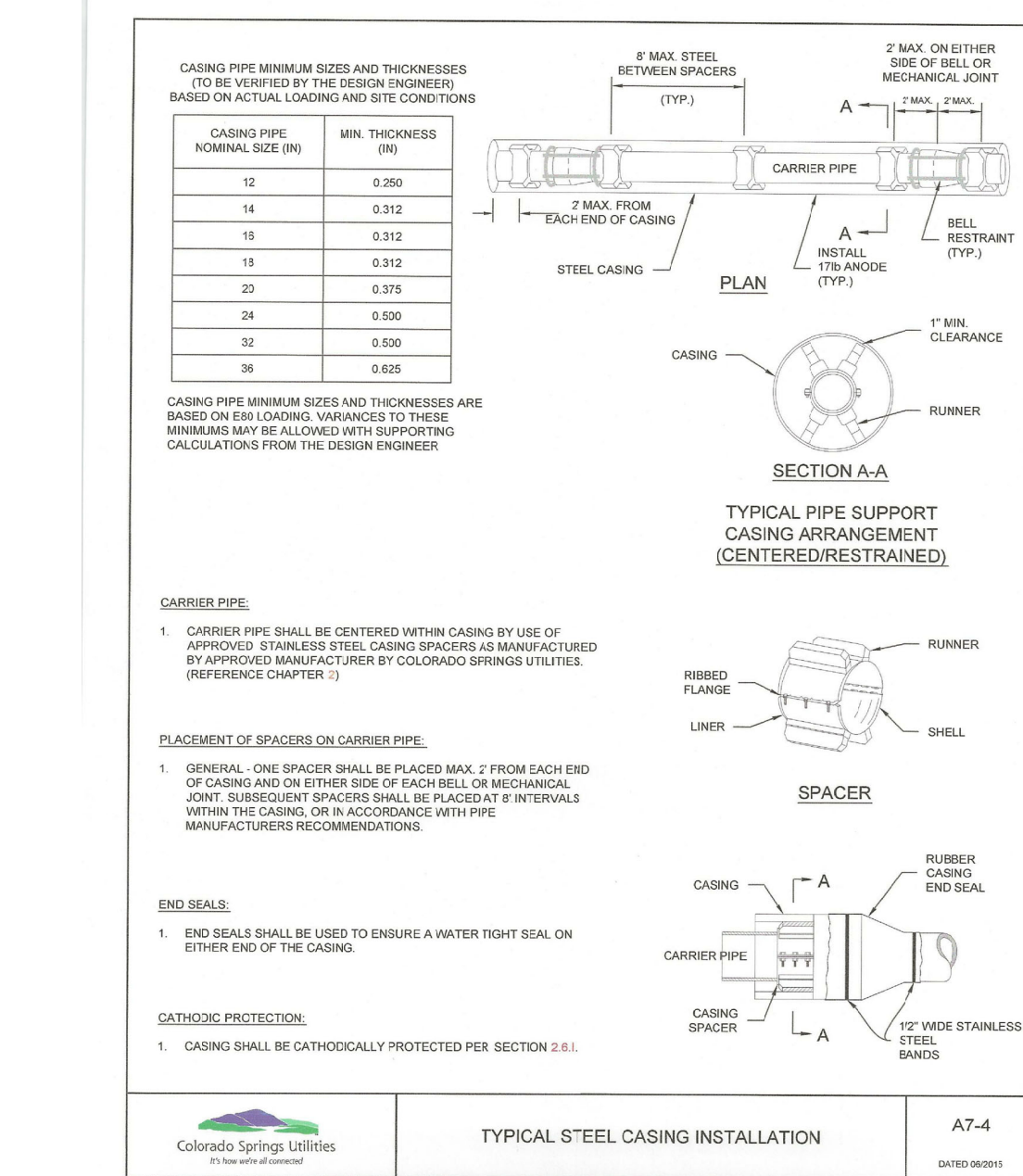


SANITARY SEWER PASSIVE UNDERDRAIN DETAIL (PER CSU STANDARD # WW-11A) NO SCALE

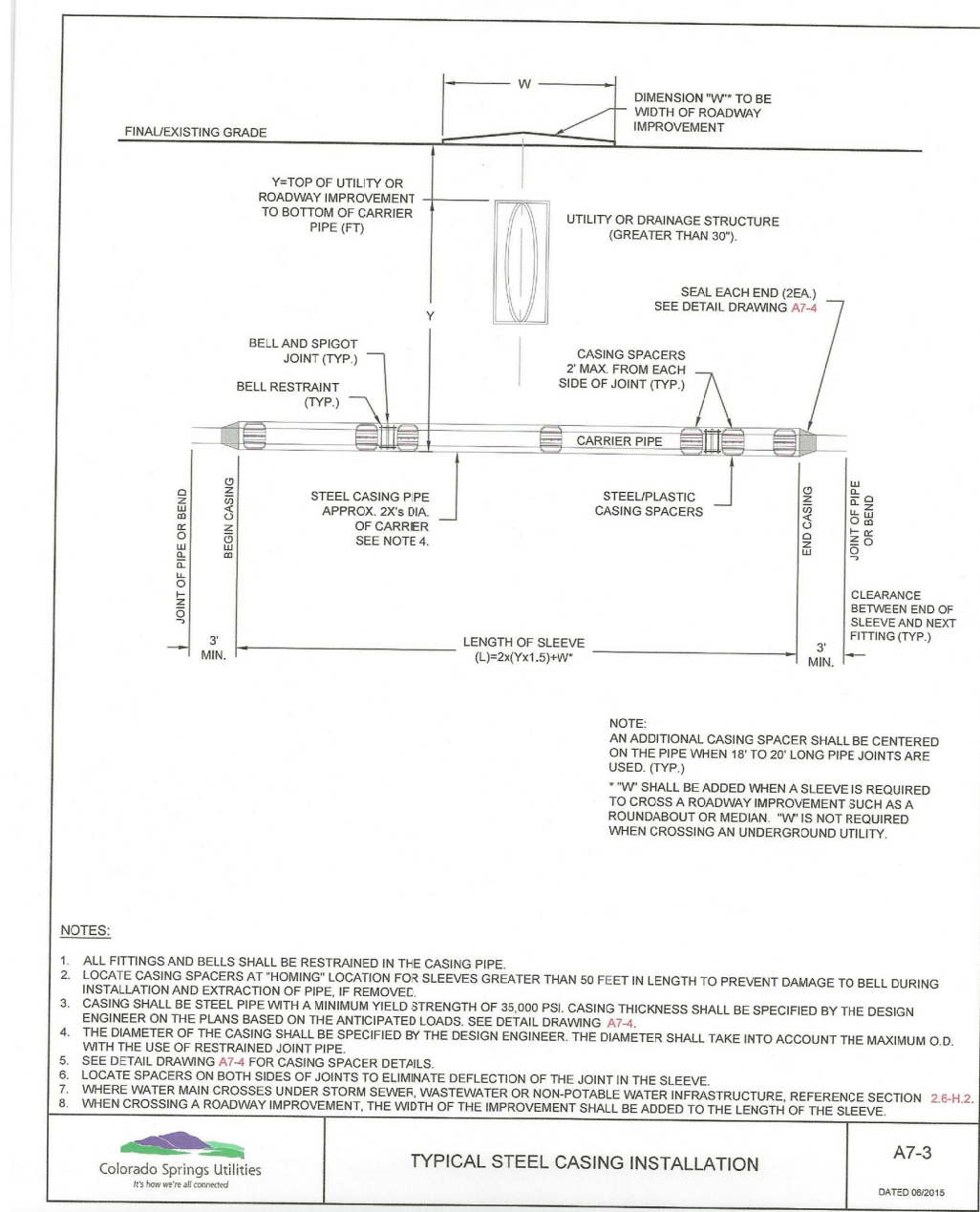
NOTE:
POINT OF DISCHARGE TO PUBLIC SYSTEM IS REQUIRED.
UNDERDRAIN CONNECTIONS SHALL BE 3\"/>



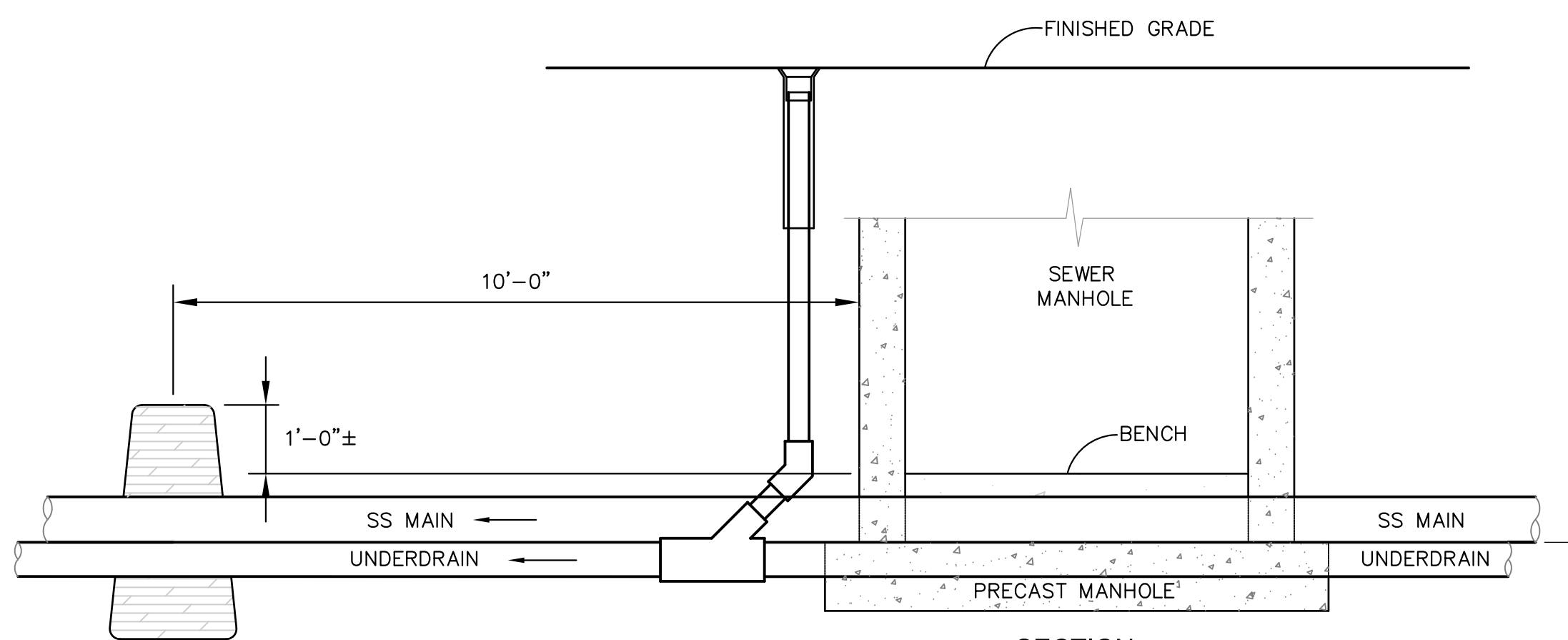
PLAN



TYPICAL STEEL CASING INSTALLATION A7-4



TYPICAL STEEL CASING INSTALLATION A7-3



GROUNDWATER UNDERDRAIN CLEANOUT (PASSIVE) LOCATIONS OUTSIDE MANHOLE

(PER CSU STANDARD # WW-12) NO SCALE

TOP OF UNDERDRAIN EQUALS BOTTOM OF SEWER MAIN UNLESS NOTED OTHERWISE

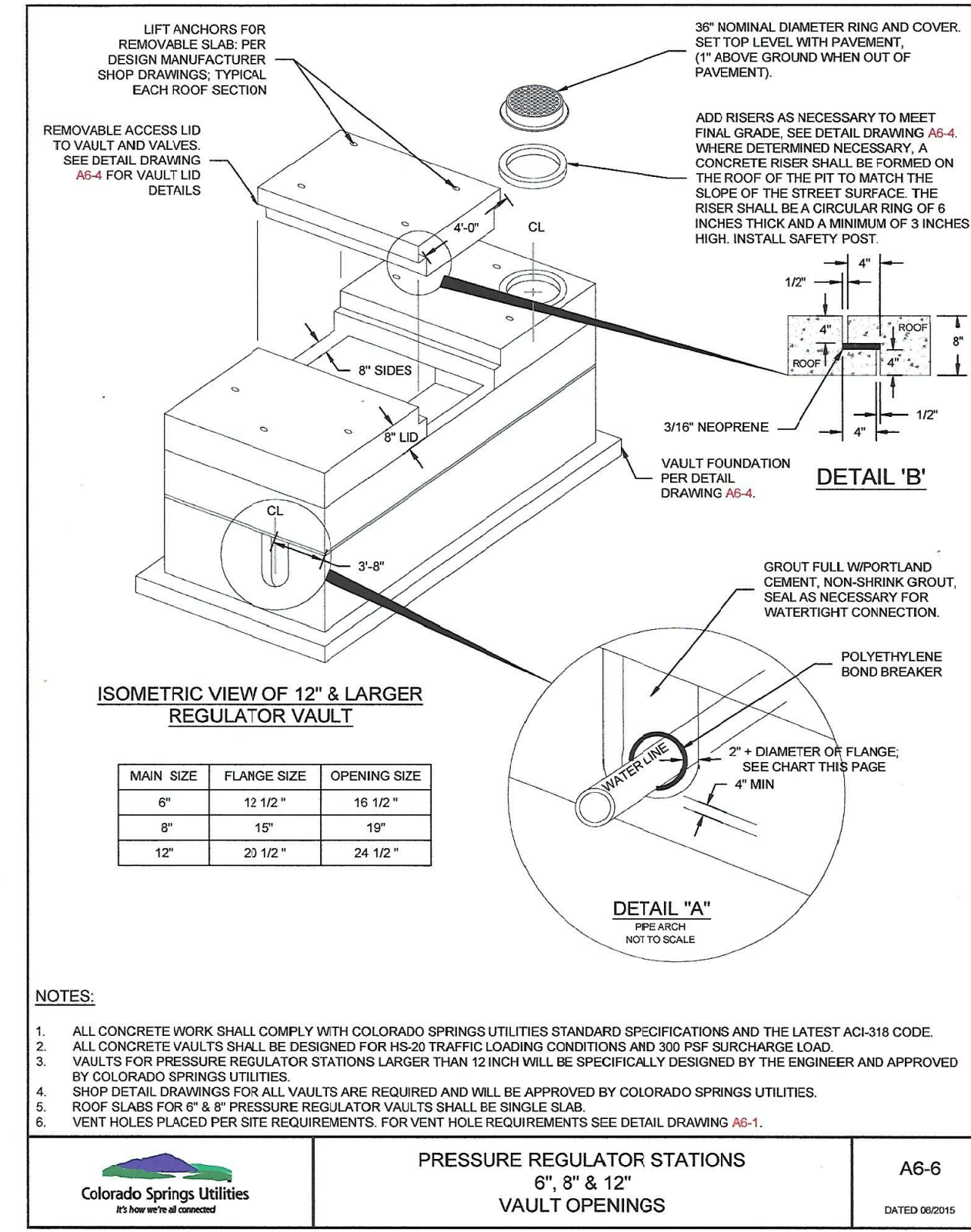
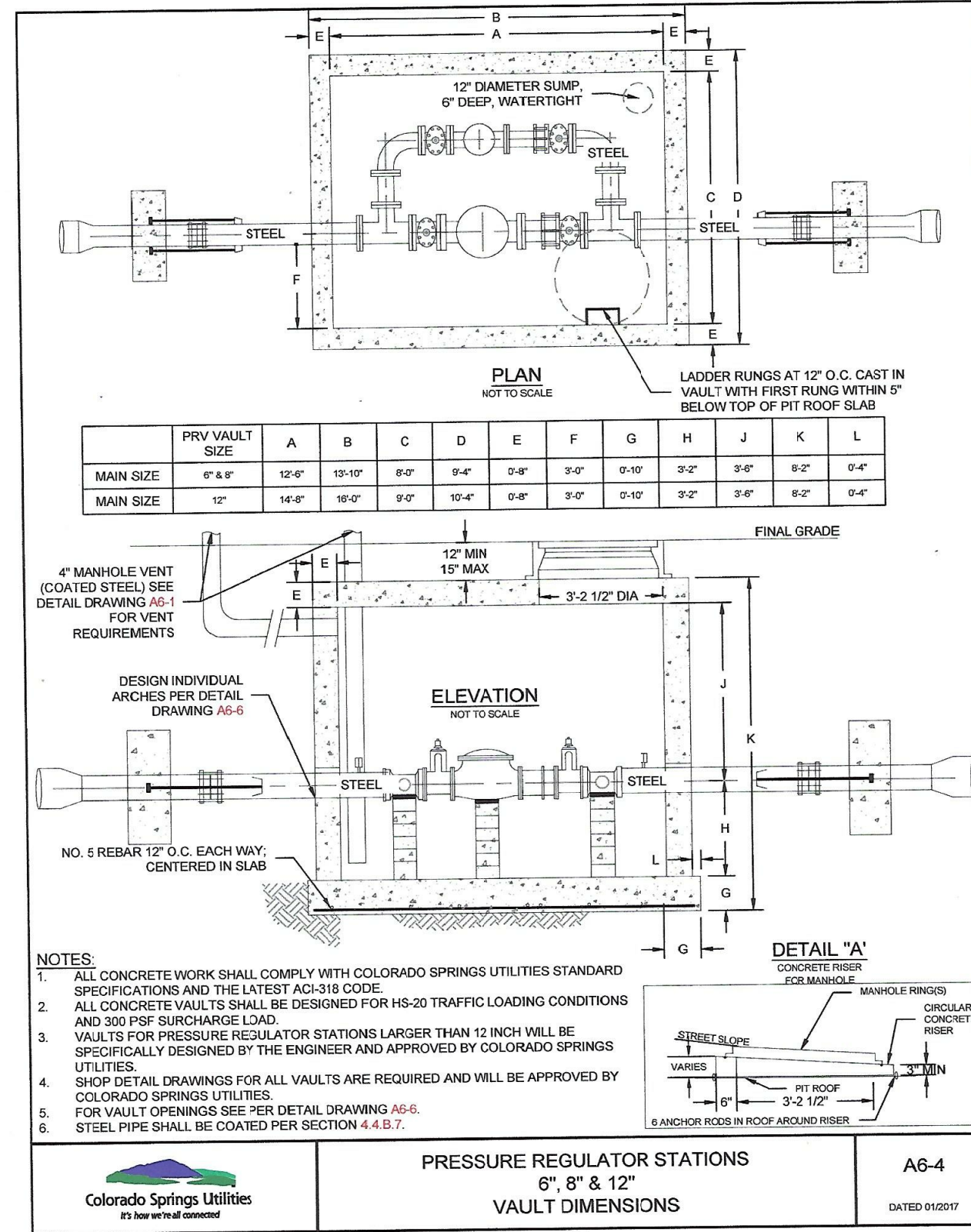
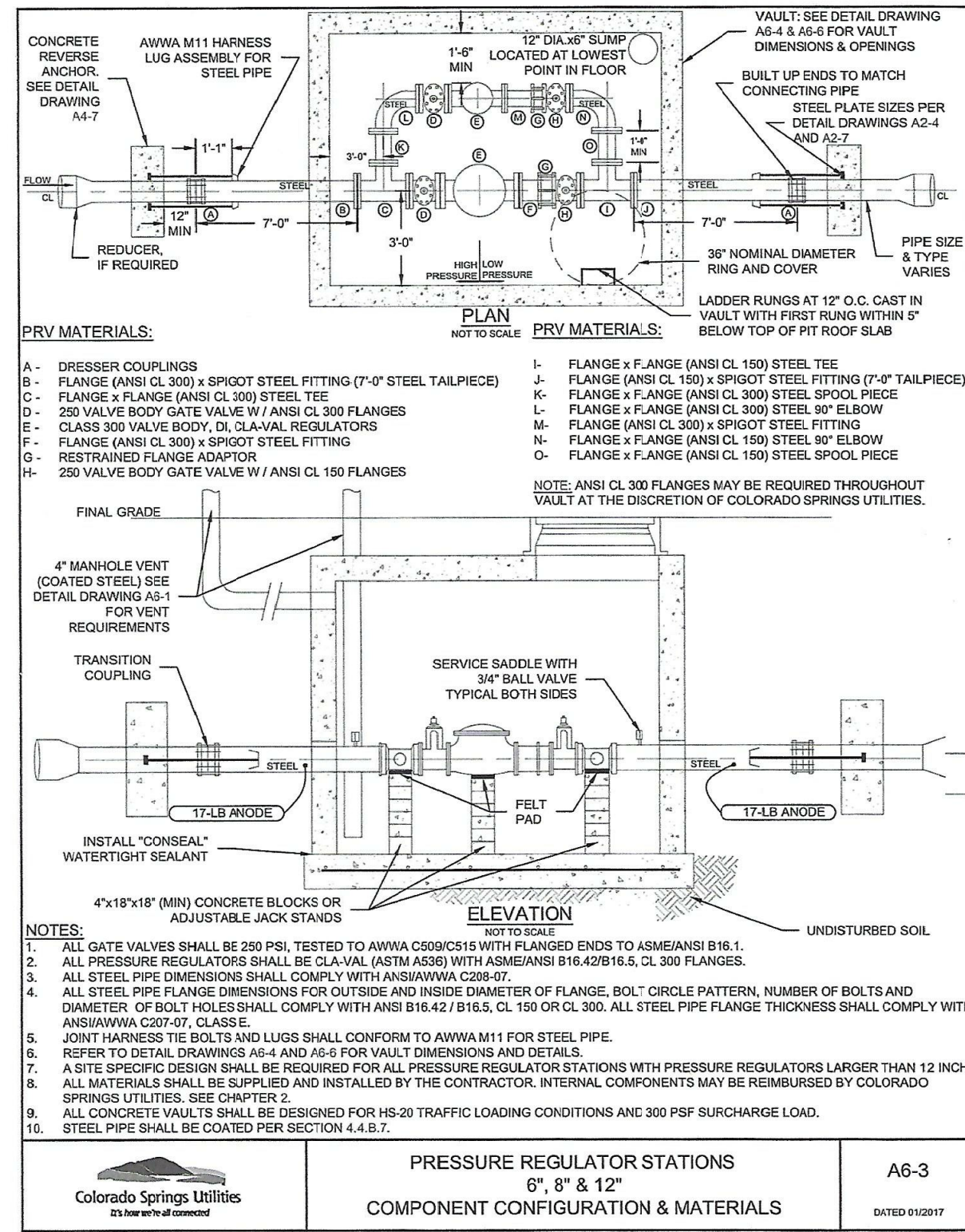
CORE ENGINEERING GROUP
15004 1ST AVENUE S.
BURNSVILLE, MN 55306
PH: 718.970.1100
CONTACT: RICHARD L. SCHINDLER, P.E.
EMAIL: rich@cegi.com

DATE: _____
DESCRIPTION: _____
NO: _____
PREPARED FOR: **LORSON, LLC**
212 N. WAHSAATCH AVE, SUITE 301
COLORADO SPRINGS, COLORADO 80903
PROJECT: **THE HILLS COLLECTOR STREET CONSTRUCTION**
FONTAINE BLVD. - GRAYLING DR
LORSON BLVD. - W. W. WALKER DR
COLORADO SPRINGS, COLORADO
CONTACT: JEFF MARK

DRAWN: RLS
DESIGNED: RLS
CHECKED: RLS

WATER/SEWER DETAILS

DATE: **AUGUST 2, 2020**
PROJECT NO: **100.061**
SHEET NUMBER: **C12.1**
TOTAL SHEETS: **58**



WATER/SEWER DETAILS

CORE ENGINEERING GROUP
 15004 1ST AVENUE S.
 BURNSVILLE, MN 55306
 PH: 718.970.1100
 CONTACT: RICHARD L. SCHINDLER, P.E.
 EMAIL: rich@cegi.com

DATE: AUGUST 2, 2020

PROJECT NO. 100.061

SHEET NUMBER C12.2

TOTAL SHEETS: 58

PREPARED FOR: **LORSON, LLC**
 212 N. WAHSAATCH AVE, SUITE 301
 COLORADO SPRINGS, COLORADO 80903

PROJECT: **THE HILLS COLLECTOR STREET CONSTRUCTION**
 FONTAINE BLVD. - GRAYLING DR
 COLORADO SPRINGS, COLORADO

CONTACT: JEFF MARK

DRAWN: RLS
 DESIGNED: RLS
 CHECKED: RLS